

Blue AnchorTM

FIBERGLASS POOLS

Absolute EscapismTM

FIBERGLASS POOL SPEC BOOK



Product Dimensions and Install Guidelines
www.blueanchorpools.com

Blue Anchor Pools are manufactured by Fort Plain Fiberglass Pools LLC and are intended for private residential use only.

WARNINGS TO INSTALLER



CARE SHOULD BE TAKEN WHEN INSTALLING A POOL. SERIOUS INJURY CAN OCCUR IF PROPER PRECAUTIONS ARE NOT TAKEN DURING INSTALLATION.

A safety package should be provided with the pool. Its contents must be reviewed with the pool owner. The package should include a pool safety sign, "NO DIVING" decals, and placement instructions. You may obtain a safety package by contacting:

Customer Service
33 Wade Road
Latham, NY 12110
(518) 786-1200

The installer should place all warnings according to the manufacturer's instructions prior to use of this pool.

NOTICE: These pools are classified as non-diving pools. It is not recommended to use diving and/or sliding equipment on residential pools. Such equipment, its installation, and use is the responsibility of the pool owner.

These pools are designed for private, residential use only. If this is not a private, residential pool, you should contact your local building department and the Pool & Hot Tub Alliance for standards relevant to its use, since they may be quite different.



211 Eisenhower Avenue
Alexandria, Virginia 22314

WARNINGS TO POOL OWNER

Before using your pool, the dealer and/or installer should provide you with a safety package which should include a pool safety sign, "NO DIVING" decals and placement instructions.

A safety package can be obtained by contacting:

Customer Service
33 Wade Road
Latham, NY 12110
(518) 786-1200



**DIVING OR JUMPING
INTO POOL MAY RESULT
IN SERIOUS INJURY**

SAFETY FIRST

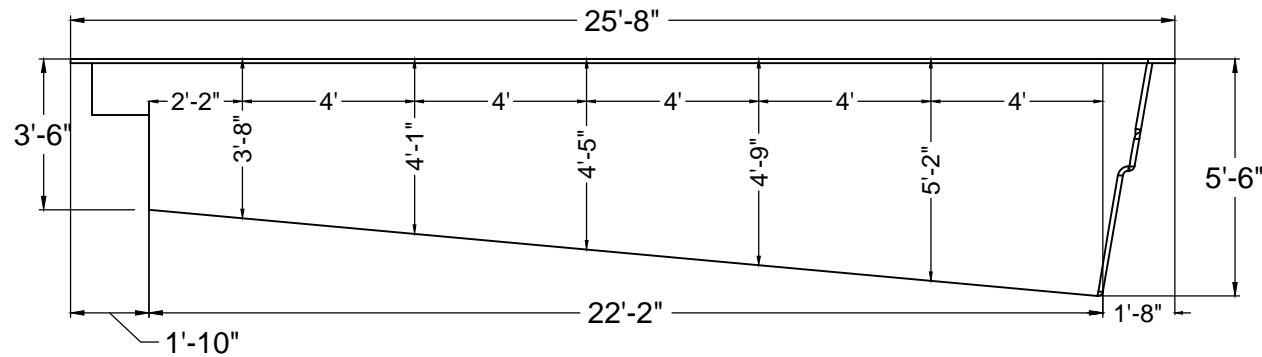
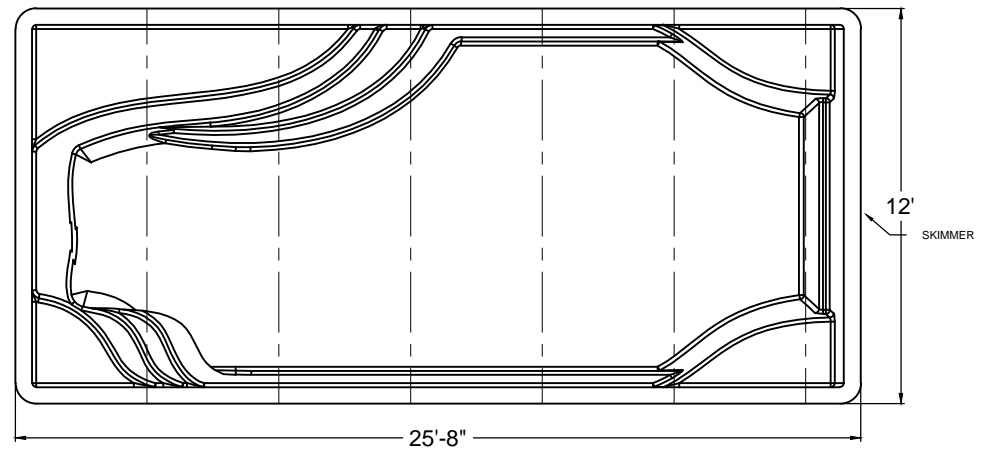
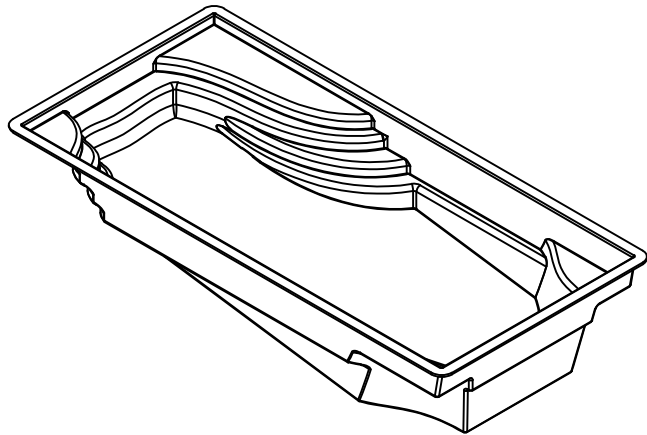
Blue Anchor Pools highly recommends that you understand the importance of safety practices and rules pertaining to the safe use of your swimming pool. Read and review complete Safety Package information that has been provided with your pool. Follow all safety instructions.

Table of Contents

<u>RECTANGLES</u>	<u>Page</u>	<u>GEOMETRIC</u>	<u>Page</u>	<u>FREEFORMS</u>	<u>Page</u>
<i>St. George</i>	1	<i>Bahia</i>	12	<i>Lauderdale</i>	18
<i>Grayton</i>	2	<i>Santa Rosa</i>	13	<i>Cocoa</i>	19
<i>Sanibel Plunge</i>	3	<i>Desoto</i>	14	<i>South Beach</i>	20
<i>Siesta Key</i>	4	<i>Pompano</i>	15	<i>Del Ray</i>	21
<i>Naples</i>	5	<i>Pensacola</i>	16	<i>Henderson</i>	22
<i>Caladesi</i>	6	<i>Bradenton</i>	17	<i>Venice</i>	23
<i>Amelia</i>	7			<i>Destin</i>	24
<i>Vero</i>	8			<i>Panama</i>	25
<i>Dania 30</i>	9			<u>SPAS</u>	<u>Page</u>
<i>Dania 40</i>	10			<i>Square Poolside</i>	26
<i>Jupiter Plunge</i>	11			<i>Square Spillover</i>	27
				<i>Round Poolside</i>	28
				<i>Round Spillover</i>	29
				<i>Linear Spillover</i>	30
				<i>Tanning Ledge</i>	31

St George

SIZE	12' X 25'8"
DEPTH	5'-6"
PERIMETER	74'-3"
AREA	307.66 SQ FT
VOLUME	7,500 Gal.
OVERDIG	1'-0"



NO DIVING PERMITTED INTO THIS POOL

The bottom configuration shown conforms with current ISPS & ANSI / APSP / ICC suggested minimum standards for pools **NOT** approved for diving.

WARNING:

Swimming pools can be dangerous if used improperly. Consult your dealer for information on safe use. It's the responsibility of town officials, builders and homeowners to follow safety recommendations of APSP/ANSI, local ordinances & equipment manufacturers.

All work not specifically shown here is to be done in accordance with the requirements of the 2024 INTERNATIONAL SWIMMING POOL & SPA CODE, APSP/ANSI/ICC-5 2011 STANDARDS FOR RESIDENTIAL INGROUND SWIMMING POOLS, and all other local building codes.

Construction Drawing: Different methods and precautions may be dictated by various ground conditions. This is to be determined by and is the responsibility of the contractor who is not an agent of the manufacturer.
Depth and shape of the pool meet minimum standards of the 2024 INTERNATIONAL SWIMMING POOL & SPA CODE and the APSP/ANSI/ICC-5 2011 STANDARDS FOR RESIDENTIAL INGROUND SWIMMING POOLS.

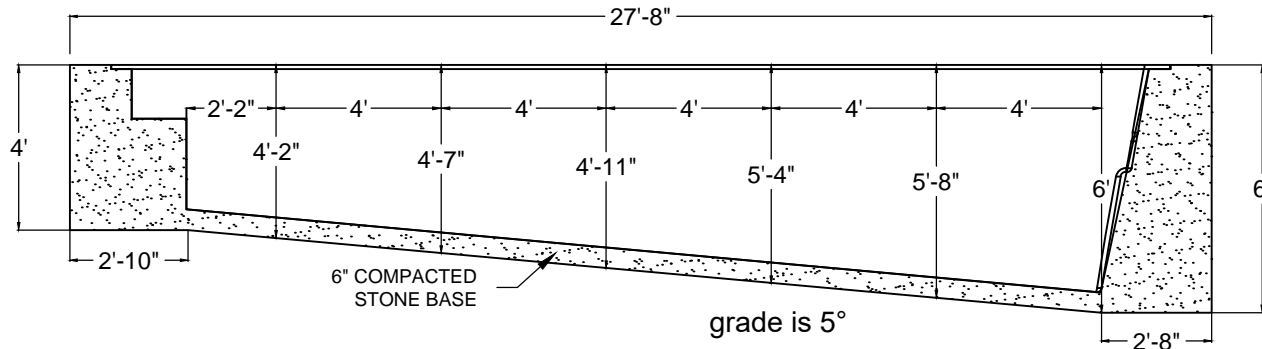
A means of entry & exit for the deep end & shallow end of the pool must be provided in accordance with 2024 INTERNATIONAL SWIMMING POOL & SPA CODE, section 809.

Equipotential bonding must be provided in accordance with the NATIONAL ELECTRIC CODE, NFPA 70.

3' wide, 3" thick concrete deck is to be poured at a slope of 1/4" to 1' away from the pool. NO DIVING labels are to be installed around the perimeter of the pool.

A safety line, with buoys, is to be permanently attached 1'0" to the shallow side of the point of first slope change.

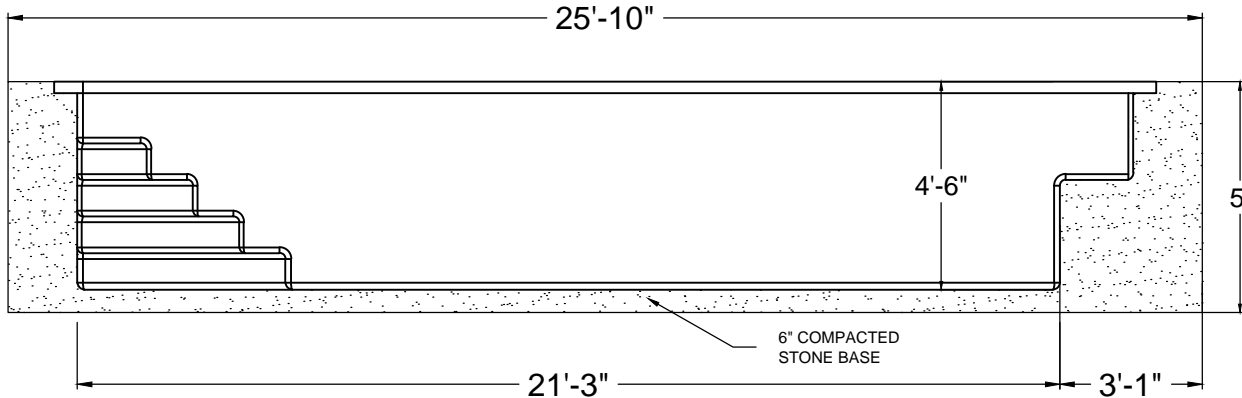
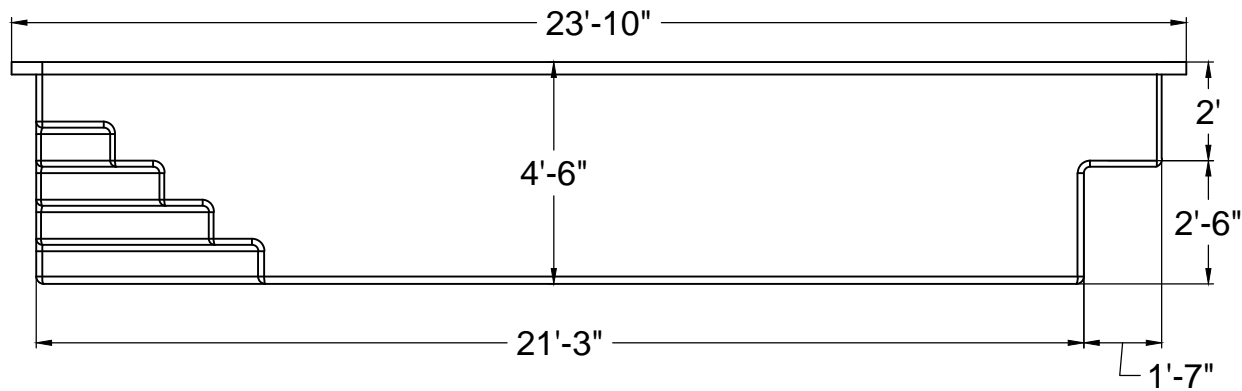
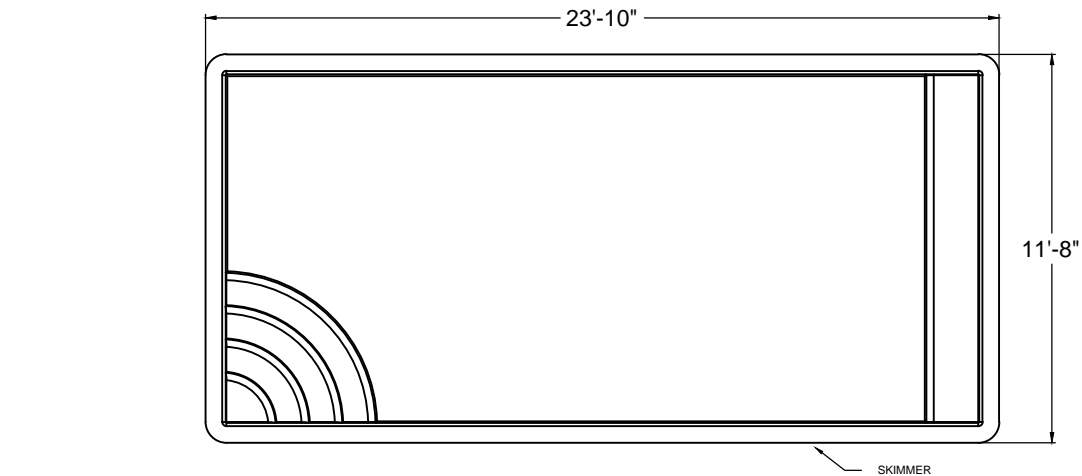
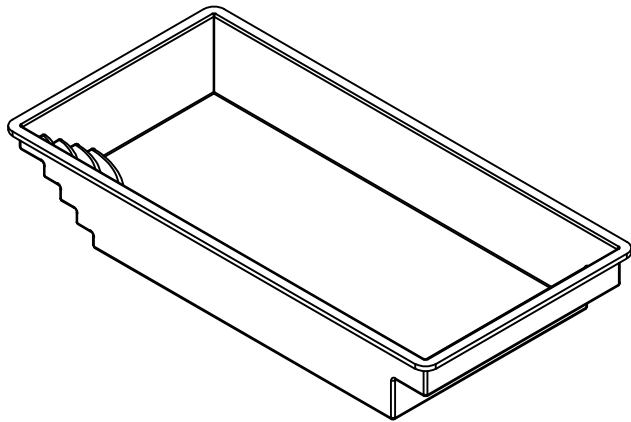
Suction entrapment avoidance to be installed in accordance with APSP/ANSI/ICC-7 Pool Coping/Deck is within 12" of the designated waterline, this satisfies requirement for handholds per ISPS 2024 SECTION 323.1.



Fort Plain Fiberglass Pools, LLC is the manufacturer of Blue Anchor pool shells. Fort Plain distributes its products through unaffiliated distributors and contractors. Therefore, as such, Imperial Pools, Inc. is not responsible for errors or omissions, all specifications, measurements, and pool information is provided by Fort Plain Fiberglass Pools. Imperial Pools, Inc./Blue Anchor Pools brand is not responsible for the installation of its Blue Anchor Pools and does not have control over the workmanship or installation standards of independent contractors. Blue Anchor Pools are intended for residential use only.

Grayton

SIZE	11'-8" x 23'-10"
DEPTH	4'-6"
PERIMETER	69'-11"
AREA	277.72 SQ FT
VOLUME	7,000 Gal.
OVERDIG	1'-0"



NO DIVING PERMITTED INTO THIS POOL

The bottom configuration shown conforms with current ISPSC & ANSI / APSP / ICC suggested minimum standards for pools **NOT** approved for diving.

WARNING:

Swimming pools can be dangerous if used improperly. Consult your dealer for information on safe use. It's the responsibility of town officials, builders and homeowners to follow safety recommendations of APSP/ANSI, local ordinances & equipment manufacturers.

All work not specifically shown here is to be done in accordance with the requirements of the 2024 INTERNATIONAL SWIMMING POOL & SPA CODE, APSP/ANSI/ICC-5 2011 STANDARDS FOR RESIDENTIAL INGROUND SWIMMING POOLS, and all other local building codes.

Construction Drawing: Different methods and precautions may be dictated by various ground conditions. This is to be determined by and is the responsibility of the contractor who is not an agent of the manufacturer.
Depth and shape of the pool meet minimum standards of the 2024 INTERNATIONAL SWIMMING POOL & SPA CODE and the APSP/ANSI/ICC-5 2011 STANDARDS FOR RESIDENTIAL INGROUND SWIMMING POOLS.

A means of entry & exit for the deep end & shallow end of the pool must be provided in accordance with 2024 INTERNATIONAL SWIMMING POOL & SPA CODE, section 809.

Equipotential bonding must be provided in accordance with the NATIONAL ELECTRIC CODE, NFPA 70.

3' wide, 3" thick concrete deck is to be poured at a slope of 1/4" to 1' away from the pool. NO DIVING labels are to be installed around the perimeter of the pool.

A safety line, with buoys, is to be permanently attached 1'0" to the shallow side of the point of first slope change.

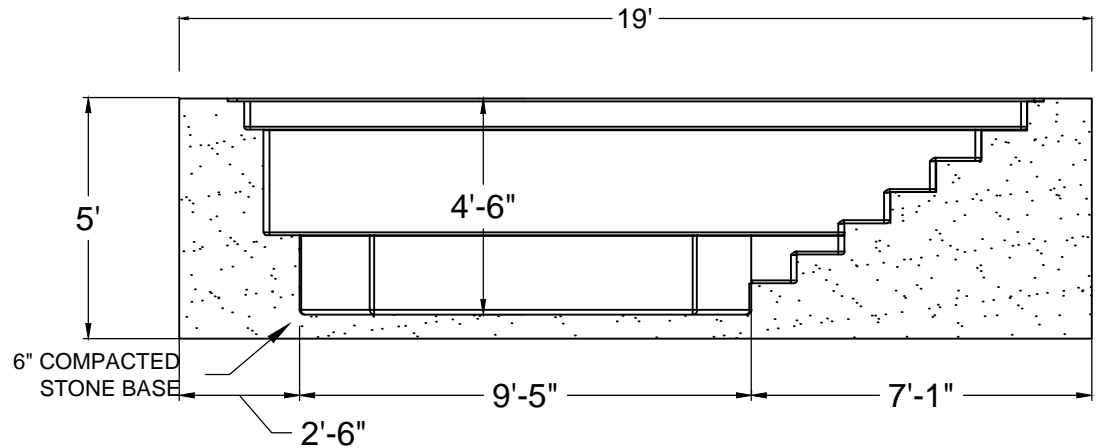
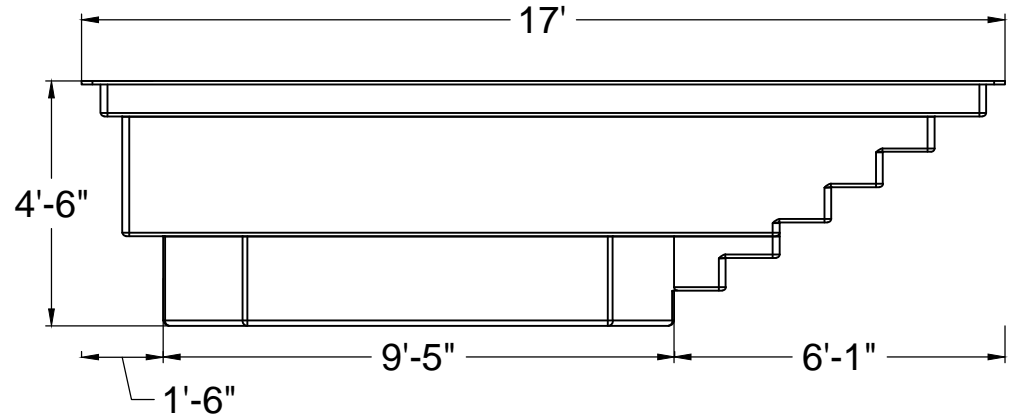
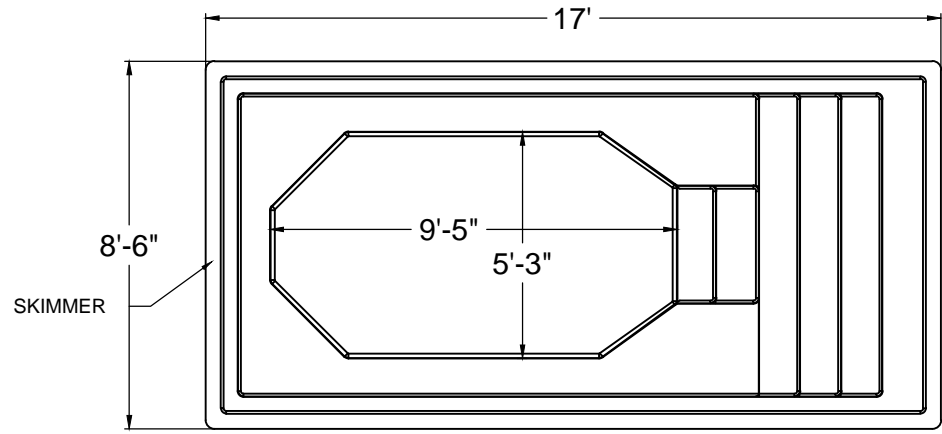
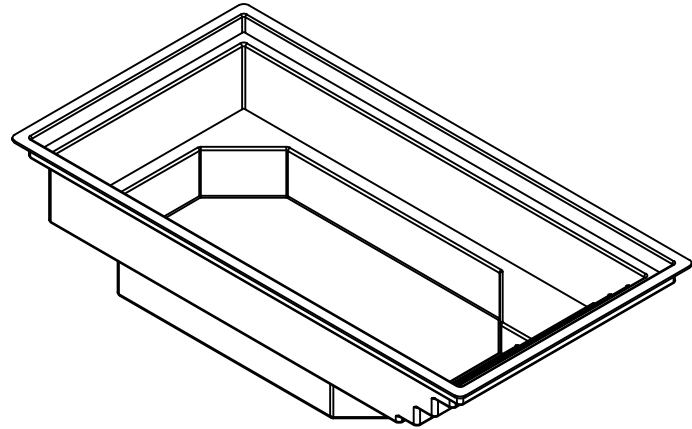
Suction entrapment avoidance to be installed in accordance with APSP/ANSI/ICC-7

Pool Coping/Deck is within 12" of the designated waterline, this satisfies requirement for handholds per ISPSC 2024 SECTION 323.1.

Fort Plain Fiberglass Pools, LLC is the manufacturer of Blue Anchor pool shells. Fort Plain distributes its products through unaffiliated distributors and contractors. Therefore, as such, Imperial Pools, Inc. is not responsible for errors or omissions, all specifications, measurements, and pool information is provided by Fort Plain Fiberglass Pools. Imperial Pools, Inc./Blue Anchor Pools brand is not responsible for the installation of its Blue Anchor Pools and does not have control over the workmanship or installation standards of independent contractors. Blue Anchor Pools are intended for residential use only.

Sanibel Plunge

SIZE	8'-6" x 17'
DEPTH	4'-6"
PERIMETER	50'-7 1/2"
AREA	144.25 SQ FT
VOLUME	3,000 Gal.
OVERDIG	1'-0"



NO DIVING PERMITTED INTO THIS POOL

The bottom configuration shown conforms with current ISPSC & ANSI / APSP / ICC suggested minimum standards for pools **NOT** approved for diving.

WARNING:

Swimming pools can be dangerous if used improperly. Consult your dealer for information on safe use. It's the responsibility of town officials, builders and homeowners to follow safety recommendations of APSP/ANSI, local ordinances & equipment manufacturers.

All work not specifically shown here is to be done in accordance with the requirements of the 2024 INTERNATIONAL SWIMMING POOL & SPA CODE, APSP/ANSI/ICC-5 2011 STANDARDS FOR RESIDENTIAL INGROUND SWIMMING POOLS, and all other local building codes.

Construction Drawing: Different methods and precautions may be dictated by various ground conditions. This is to be determined by and is the responsibility of the contractor who is not an agent of the manufacturer.

Depth and shape of the pool meet minimum standards of the 2024 INTERNATIONAL SWIMMING POOL & SPA CODE and the APSP/ANSI/ICC-5 2011 STANDARDS FOR RESIDENTIAL INGROUND SWIMMING POOLS.

A means of entry & exit for the deep end & shallow end of the pool must be provided in accordance with 2024 INTERNATIONAL SWIMMING POOL & SPA CODE, section 809.

Equipotential bonding must be provided in accordance with the NATIONAL ELECTRIC CODE, NFPA 70.

3' wide, 3" thick concrete deck is to be poured at a slope of 1/4" to 1' away from the pool. NO DIVING labels are to be installed around the perimeter of the pool.

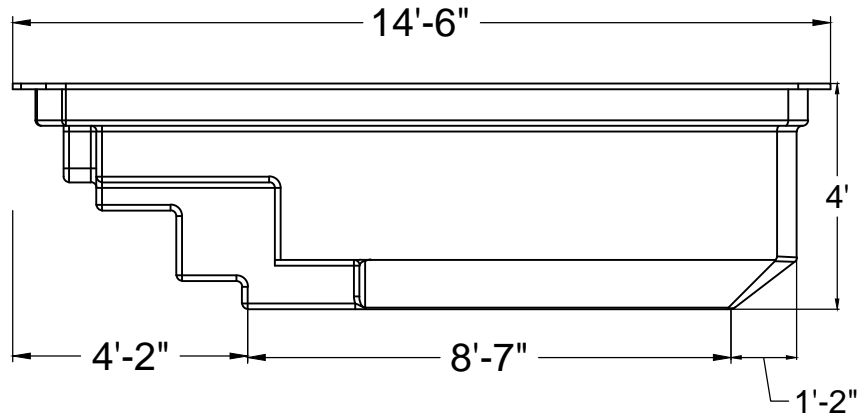
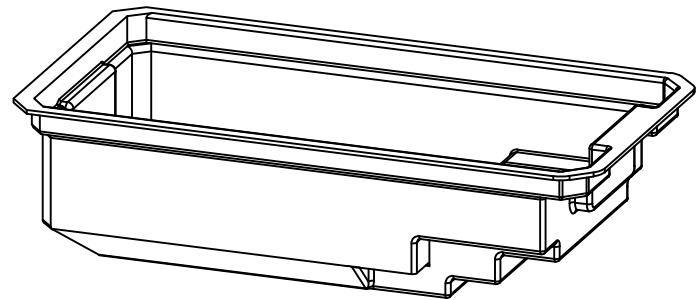
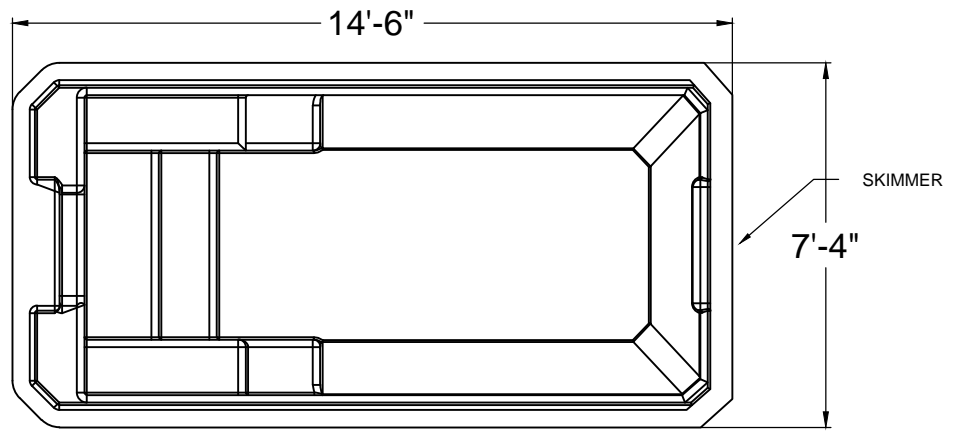
A safety line, with buoys, is to be permanently attached 1'0" to the shallow side of the point of first slope change.

Suction entrapment avoidance to be installed in accordance with APSP/ANSI/ICC-7 Pool Coping/Deck is within 12" of the designated waterline, this satisfies requirement for handholds per ISPSC 2024 SECTION 323.1.

Fort Plain Fiberglass Pools, LLC is the manufacturer of Blue Anchor pool shells. Fort Plain distributes its products through unaffiliated distributors and contractors. Therefore, as such, Imperial Pools, Inc. is not responsible for errors or omissions, all specifications, measurements, and pool information is provided by Fort Plain Fiberglass Pools. Imperial Pools, Inc./Blue Anchor Pools brand is not responsible for the installation of its Blue Anchor Pools and does not have control over the workmanship or installation standards of independent contractors. Blue Anchor Pools are intended for residential use only.

Siesta Key

SIZE	7'4" x 14'6"
DEPTH	4'-0"
PERIMETER	42'-7 1/2"
AREA	105.94 SQ FT
VOLUME	2,000 Gal.
OVERDIG	1'-0"



NO DIVING PERMITTED INTO THIS POOL

The bottom configuration shown conforms with current ISPS & ANSI / APSP / ICC suggested minimum standards for pools **NOT** approved for diving.

WARNING:

Swimming pools can be dangerous if used improperly. Consult your dealer for information on safe use. It's the responsibility of town officials, builders and homeowners to follow safety recommendations of APSP/ANSI, local ordinances & equipment manufacturers.

All work not specifically shown here is to be done in accordance with the requirements of the 2024 INTERNATIONAL SWIMMING POOL & SPA CODE, APSP/ANSI/ICC-5 2011 STANDARDS FOR RESIDENTIAL INGROUND SWIMMING POOLS, and all other local building codes.

Construction Drawing: Different methods and precautions may be dictated by various ground conditions. This is to be determined by and is the responsibility of the contractor who is not an agent of the manufacturer.

Depth and shape of the pool meet minimum standards of the 2024 INTERNATIONAL SWIMMING POOL & SPA CODE and the APSP/ANSI/ICC-5 2011 STANDARDS FOR RESIDENTIAL INGROUND SWIMMING POOLS.

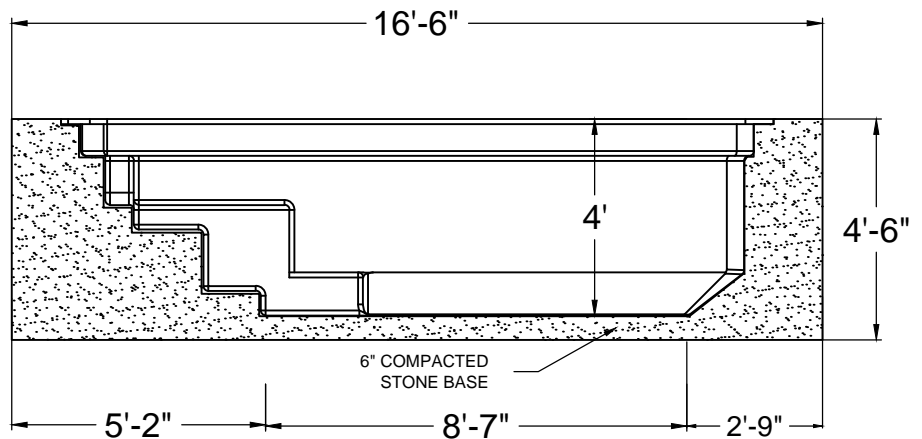
A means of entry & exit for the deep end & shallow end of the pool must be provided in accordance with 2024 INTERNATIONAL SWIMMING POOL & SPA CODE, section 809.

Equipotential bonding must be provided in accordance with the NATIONAL ELECTRIC CODE, NFPA 70.

3' wide, 3" thick concrete deck is to be poured at a slope of 1/4" to 1' away from the pool. NO DIVING labels are to be installed around the perimeter of the pool.

A safety line, with buoys, is to be permanently attached 1'0" to the shallow side of the point of first slope change.

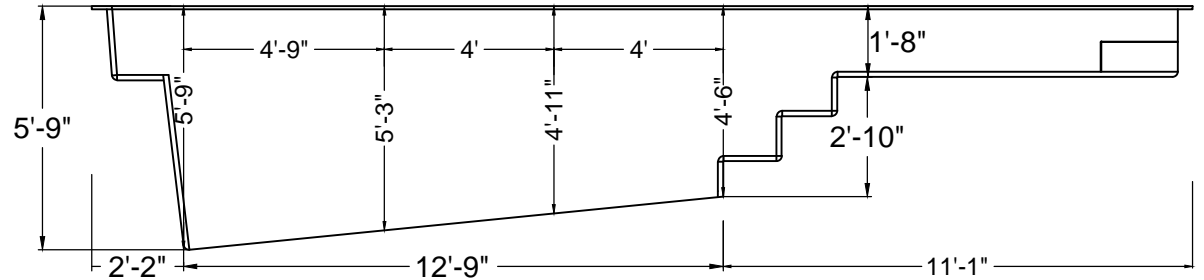
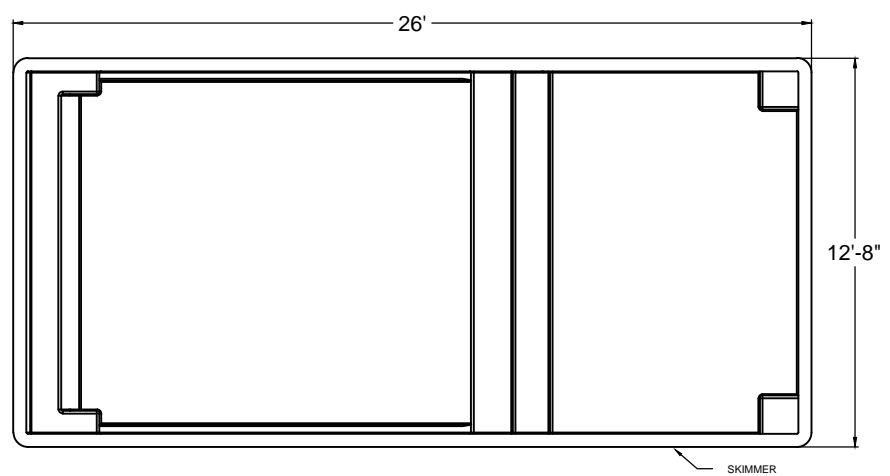
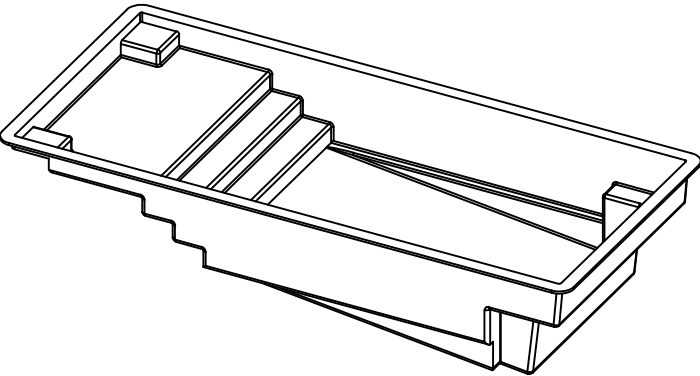
Suction entrapment avoidance to be installed in accordance with APSP/ANSI/ICC-7 Pool Coping/Deck is within 12" of the designated waterline, this satisfies requirement for handholds per ISPCS 2024 SECTION 323.1



Fort Plain Fiberglass Pools, LLC is the manufacturer of Blue Anchor pool shells. Fort Plain distributes its products through unaffiliated distributors and contractors. Therefore, as such, Imperial Pools, Inc. is not responsible for errors or omissions, all specifications, measurements, and pool information is provided by Fort Plain Fiberglass Pools. Imperial Pools, Inc./Blue Anchor Pools brand is not responsible for the installation of its Blue Anchor Pools and does not have control over the workmanship or installation standards of independent contractors. Blue Anchor Pools are intended for residential use only.

Naples

SIZE	12'-8" x 26'
DEPTH	5'-9"
PERIMETER	76'-5 3/4"
AREA	328.82 SQ FT
VOLUME	9,500 Gal.
OVERDIG	1'-0"



NO DIVING PERMITTED INTO THIS POOL

The bottom configuration shown conforms with current ISPSC & ANSI / APSP / ICC suggested minimum standards for pools **NOT** approved for diving.

WARNING:

Swimming pools can be dangerous if used improperly. Consult your dealer for information on safe use. It's the responsibility of town officials, builders and homeowners to follow safety recommendations of APSP/ANSI, local ordinances & equipment manufacturers.

All work not specifically shown here is to be done in accordance with the requirements of the 2024 INTERNATIONAL SWIMMING POOL & SPA CODE, APSP/ANSI/ICC-5 2011 STANDARDS FOR RESIDENTIAL INGROUND SWIMMING POOLS, and all other local building codes.

Construction Drawing: Different methods and precautions may be dictated by various ground conditions. This is to be determined by and is the responsibility of the contractor who is not an agent of the manufacturer.

Depth and shape of the pool meet minimum standards of the 2024 INTERNATIONAL SWIMMING POOL & SPA CODE and the APSP/ANSI/ICC-5 2011 STANDARDS FOR RESIDENTIAL INGROUND SWIMMING POOLS.

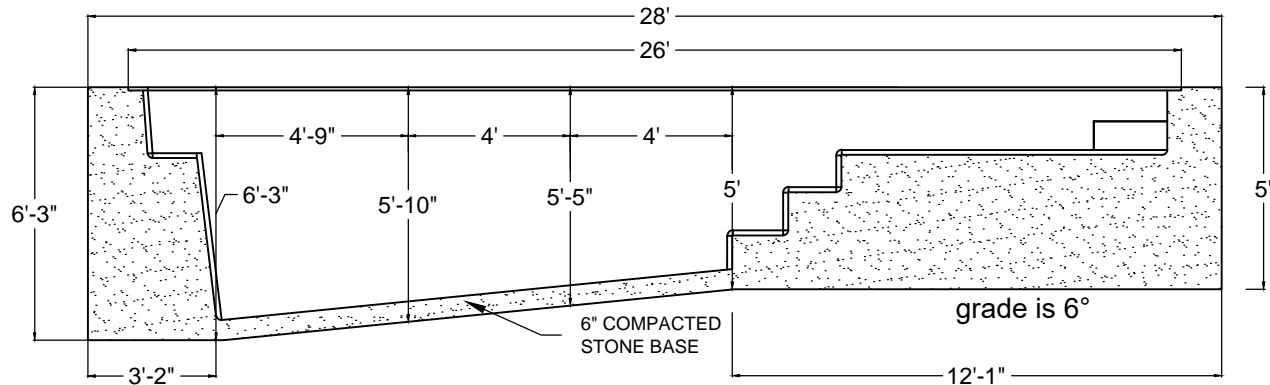
A means of entry & exit for the deep end & shallow end of the pool must be provided in accordance with 2024 INTERNATIONAL SWIMMING POOL & SPA CODE, section 809.

Equipotential bonding must be provided in accordance with the NATIONAL ELECTRIC CODE, NFPA 70.

3' wide, 3" thick concrete deck is to be poured at a slope of 1/4" to 1' away from the pool. NO DIVING labels are to be installed around the perimeter of the pool.

A safety line, with buoys, is to be permanently attached 1'0" to the shallow side of the point of first slope change.

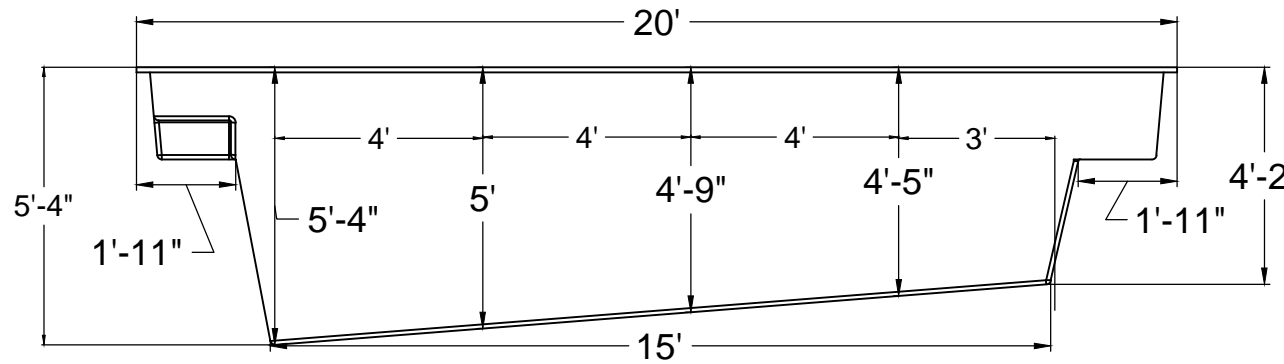
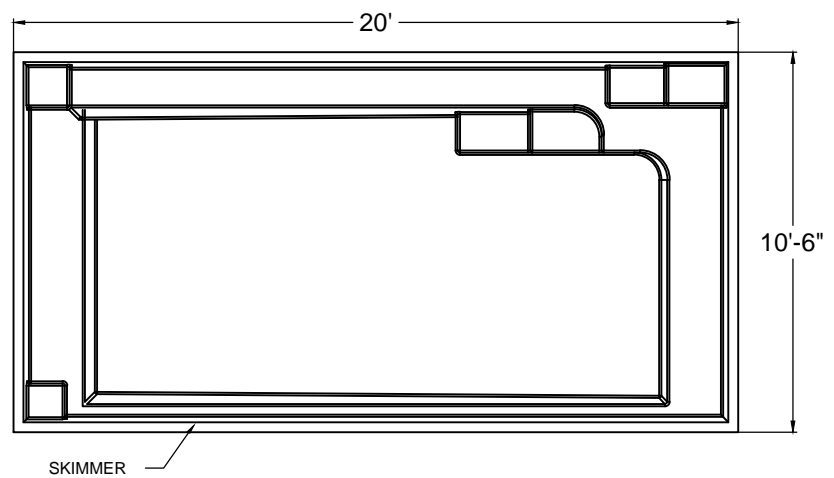
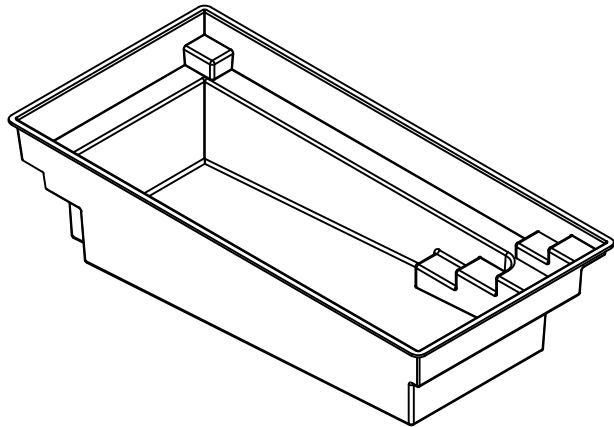
Suction entrapment avoidance to be installed in accordance with APSP/ANSI/ICC-7 Pool Coping/Deck is within 12" of the designated waterline, this satisfies requirement for handholds per ISPSC 2024 SECTION 323.1.



Fort Plain Fiberglass Pools, LLC is the manufacturer of Blue Anchor pool shells. Fort Plain distributes its products through unaffiliated distributors and contractors. Therefore, as such, Imperial Pools, Inc. is not responsible for errors or omissions, all specifications, measurements, and pool information is provided by Fort Plain Fiberglass Pools. Imperial Pools, Inc./Blue Anchor Pools brand is not responsible for the installation of its Blue Anchor Pools and does not have control over the workmanship or installation standards of independent contractors. Blue Anchor Pools are intended for residential use only.

Caladesi

SIZE	10'-6" x 20'
DEPTH	5'-4"
PERIMETER	61'-0"
AREA	209.93 SQ FT
VOLUME	5,000 Gal.
OVERDIG	1'-0"



NO DIVING PERMITTED INTO THIS POOL

The bottom configuration shown conforms with current ISPSC & ANSI / APSP / ICC suggested minimum standards for pools **NOT** approved for diving.

WARNING:

Swimming pools can be dangerous if used improperly. Consult your dealer for information on safe use. It's the responsibility of town officials, builders and homeowners to follow safety recommendations of APSP/ANSI, local ordinances & equipment manufacturers.

All work not specifically shown here is to be done in accordance with the requirements of the 2024 INTERNATIONAL SWIMMING POOL & SPA CODE, APSP/ANSI/ICC-5 2011 STANDARDS FOR RESIDENTIAL INGROUND SWIMMING POOLS, and all other local building codes.

Construction Drawing: Different methods and precautions may be dictated by various ground conditions. This is to be determined by and is the responsibility of the contractor who is not an agent of the manufacturer.

Depth and shape of the pool meet minimum standards of the 2024 INTERNATIONAL SWIMMING POOL & SPA CODE and the APSP/ANSI/ICC-5 2011 STANDARDS FOR RESIDENTIAL INGROUND SWIMMING POOLS.

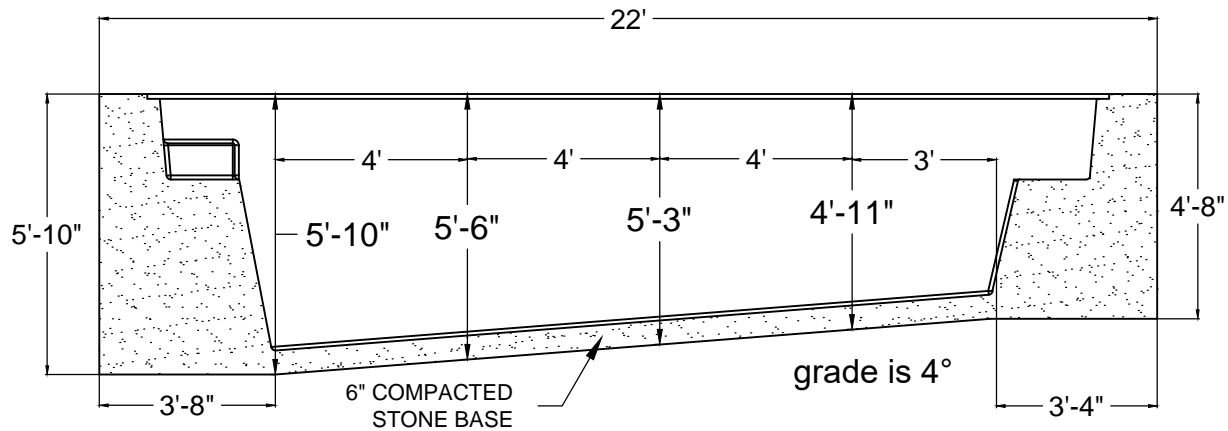
A means of entry & exit for the deep end & shallow end of the pool must be provided in accordance with 2024 INTERNATIONAL SWIMMING POOL & SPA CODE, section 809.

Equipotential bonding must be provided in accordance with the NATIONAL ELECTRIC CODE, NFPA 70.

3' wide, 3" thick concrete deck is to be poured at a slope of 1/4" to 1' away from the pool. NO DIVING labels are to be installed around the perimeter of the pool.

A safety line, with buoys, is to be permanently attached 1'0" to the shallow side of the point of first slope change.

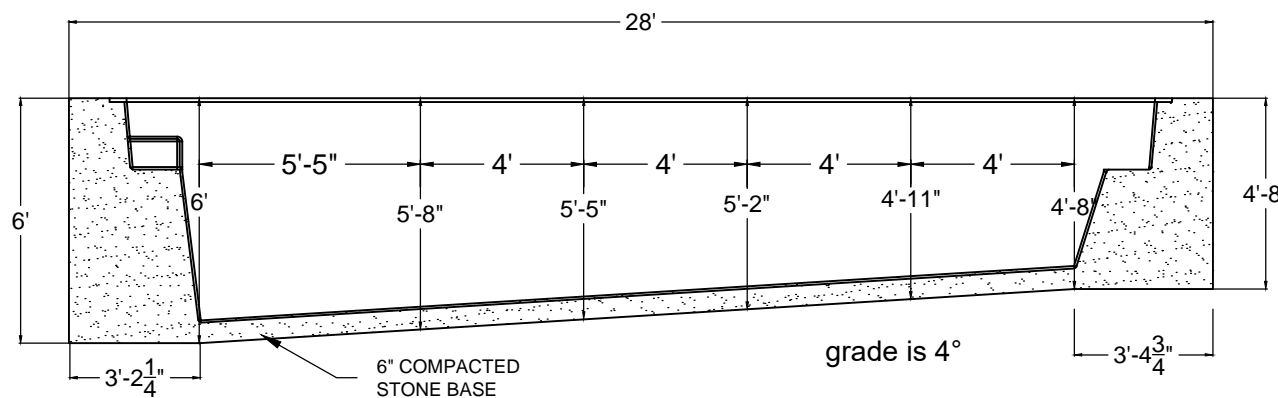
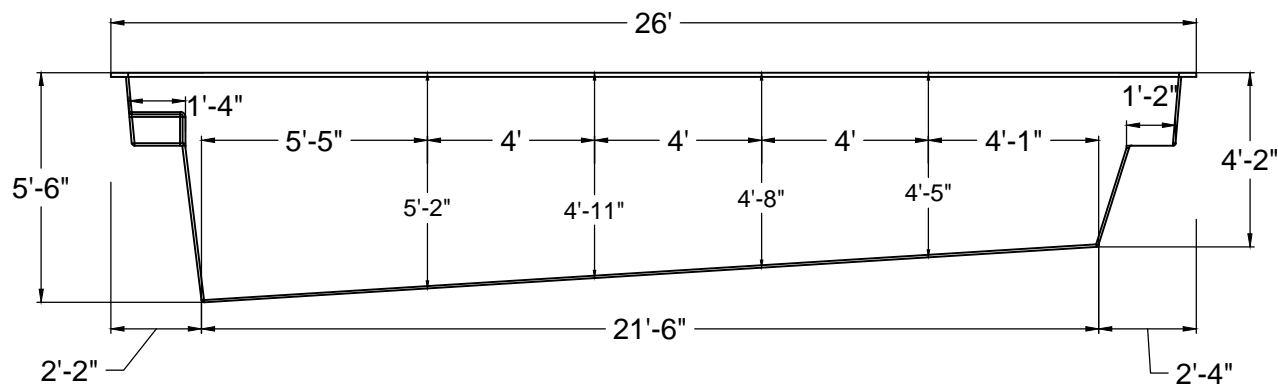
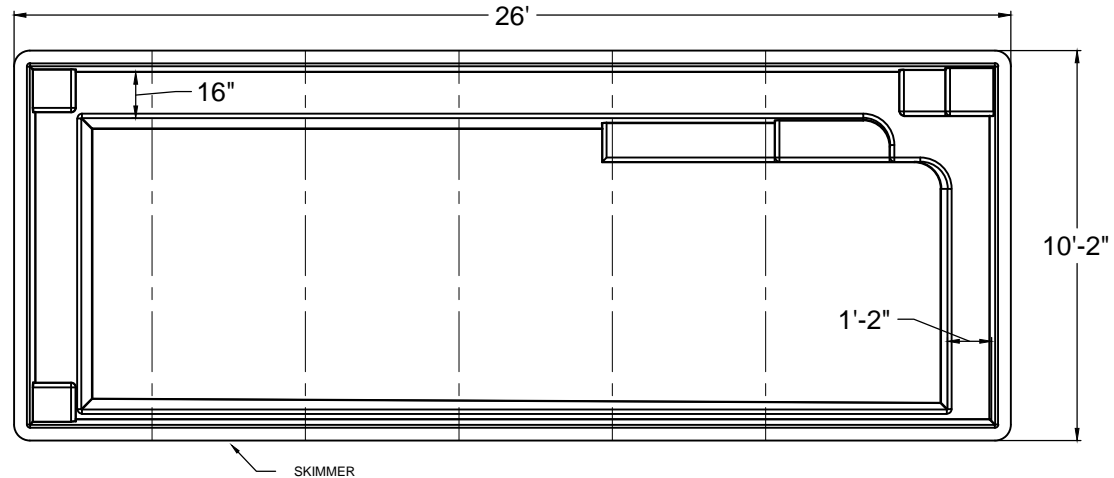
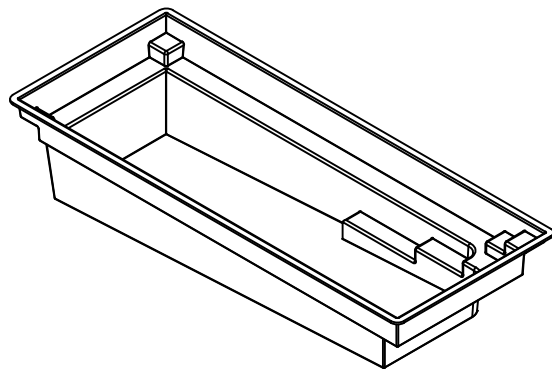
Suction entrapment avoidance to be installed in accordance with APSP/ANSI/ICC-7 Pool Coping/Deck is within 12" of the designated waterline, this satisfies requirement for handholds per ISPSC 2024 SECTION 323.1



Fort Plain Fiberglass Pools, LLC is the manufacturer of Blue Anchor pool shells. Fort Plain distributes its products through unaffiliated distributors and contractors. Therefore, as such, Imperial Pools, Inc. is not responsible for errors or omissions, all specifications, measurements, and pool information is provided by Fort Plain Fiberglass Pools. Imperial Pools, Inc./Blue Anchor Pools brand is not responsible for the installation of its Blue Anchor Pools and does not have control over the workmanship or installation standards of independent contractors. Blue Anchor Pools are intended for residential use only.

Amelia

SIZE	10'-2" x 26'
DEPTH	5'-6"
PERIMETER	71'-7 1/4"
AREA	263.99 SQ FT
VOLUME	7,000 Gal.
OVERDIG	1'-0"



NO DIVING PERMITTED INTO THIS POOL

The bottom configuration shown conforms with current ISPSC & ANSI / APSP / ICC suggested minimum standards for pools **NOT** approved for diving.

WARNING:

Swimming pools can be dangerous if used improperly. Consult your dealer for information on safe use. It's the responsibility of town officials, builders and homeowners to follow safety recommendations of APSP/ANSI, local ordinances & equipment manufacturers.

All work not specifically shown here is to be done in accordance with the requirements of the 2024 INTERNATIONAL SWIMMING POOL & SPA CODE, APSP/ANSI/ICC-5 2011 STANDARDS FOR RESIDENTIAL INGROUND SWIMMING POOLS, and all other local building codes.

Construction Drawing: Different methods and precautions may be dictated by various ground conditions. This is to be determined by and is the responsibility of the contractor who is not an agent of the manufacturer.

Depth and shape of the pool meet minimum standards of the 2024 INTERNATIONAL SWIMMING POOL & SPA CODE and the APSP/ANSI/ICC-5 2011 STANDARDS FOR RESIDENTIAL INGROUND SWIMMING POOLS.

A means of entry & exit for the deep end & shallow end of the pool must be provided in accordance with 2024 INTERNATIONAL SWIMMING POOL & SPA CODE, section 809.

Equipment bonding must be provided in accordance with the NATIONAL ELECTRIC CODE, NFPA 70.

3' wide, 3" thick concrete deck is to be poured at a slope of 1/4" to 1' away from the pool. NO DIVING labels are to be installed around the perimeter of the pool.

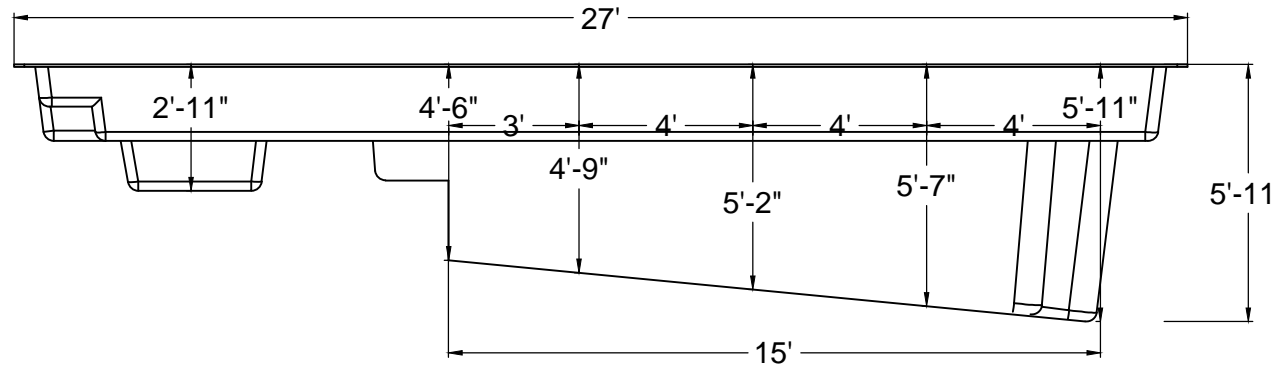
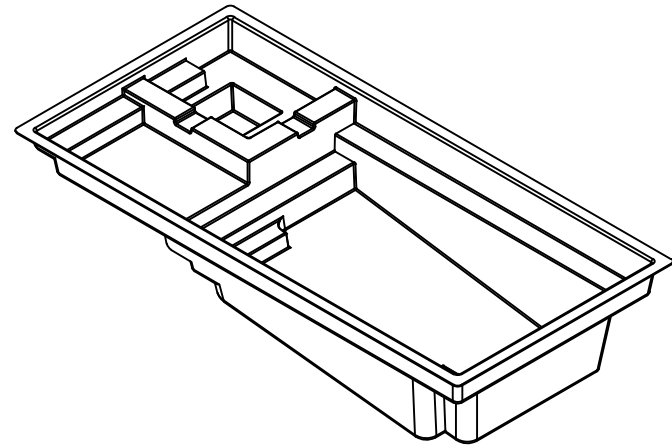
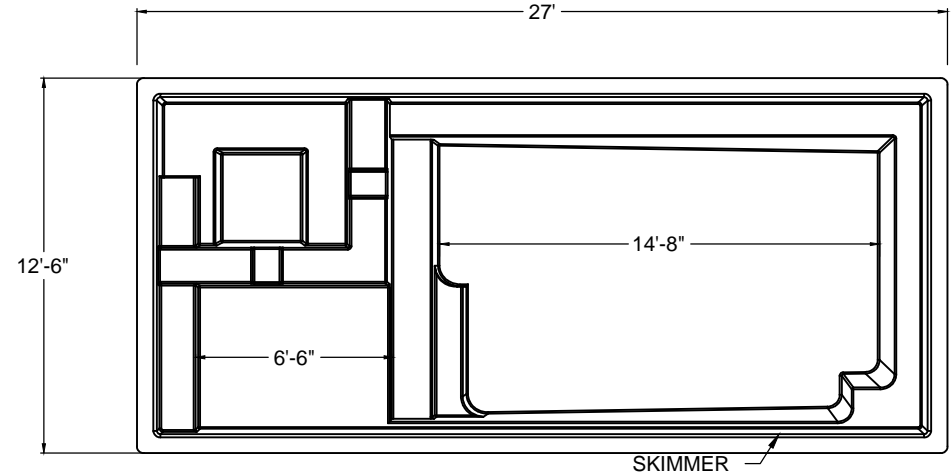
A safety line, with buoys, is to be permanently attached 1'0" to the shallow side of the point of first slope change.

Suction entrapment avoidance to be installed in accordance with APSP/ANSI/ICC-7 Pool Coping/Deck is within 12" of the designated waterline, this satisfies requirement for handholds per ISPSC 2024 SECTION 323.1.

Fort Plain Fiberglass Pools, LLC is the manufacturer of Blue Anchor pool shells. Fort Plain distributes its products through unaffiliated distributors and contractors. Therefore, as such, Imperial Pools, Inc. is not responsible for errors or omissions, all specifications, measurements, and pool information is provided by Fort Plain Fiberglass Pools. Imperial Pools, Inc./Blue Anchor Pools brand is not responsible for the installation of its Blue Anchor Pools and does not have control over the workmanship or installation standards of independent contractors. Blue Anchor Pools are intended for residential use only.

Vero

SIZE	12'-6" x 27'
DEPTH	5'-11"
PERIMETER	79'-0"
AREA	337.50 SQ FT
VOLUME	10,000 Gal.
OVERDIG	1'-0"



NO DIVING PERMITTED INTO THIS POOL

The bottom configuration shown conforms with current ISPSC & ANSI / APSP / ICC suggested minimum standards for pools **NOT** approved for diving.

WARNING:

Swimming pools can be dangerous if used improperly. Consult your dealer for information on safe use. It's the responsibility of town officials, builders and homeowners to follow safety recommendations of APSP/ANSI, local ordinances & equipment manufacturers.

All work not specifically shown here is to be done in accordance with the requirements of the 2024 INTERNATIONAL SWIMMING POOL & SPA CODE, APSP/ANSI/ICC-5 2011 STANDARDS FOR RESIDENTIAL INGROUND SWIMMING POOLS, and all other local building codes.

Construction Drawing: Different methods and precautions may be dictated by various ground conditions. This is to be determined by and is the responsibility of the contractor who is not an agent of the manufacturer.
Depth and shape of the pool meet minimum standards of the 2024 INTERNATIONAL SWIMMING POOL & SPA CODE and the APSP/ANSI/ICC-5 2011 STANDARDS FOR RESIDENTIAL INGROUND SWIMMING POOLS.

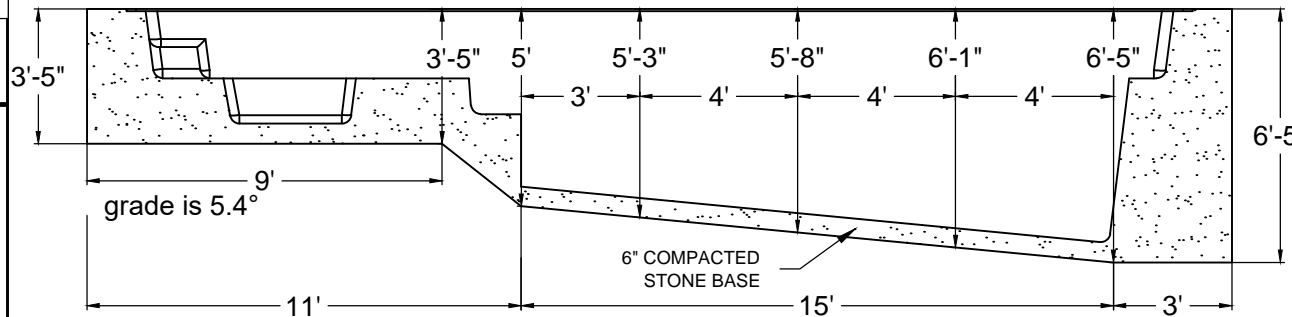
A means of entry & exit for the deep end & shallow end of the pool must be provided in accordance with 2024 INTERNATIONAL SWIMMING POOL & SPA CODE, section 809.

Equipotential bonding must be provided in accordance with the NATIONAL ELECTRIC CODE, NFPA 70.

3' wide, 3" thick concrete deck is to be poured at a slope of 1/4" to 1' away from the pool. NO DIVING labels are to be installed around the perimeter of the pool.

A safety line, with buoys, is to be permanently attached 1'0" to the shallow side of the point of first slope change.

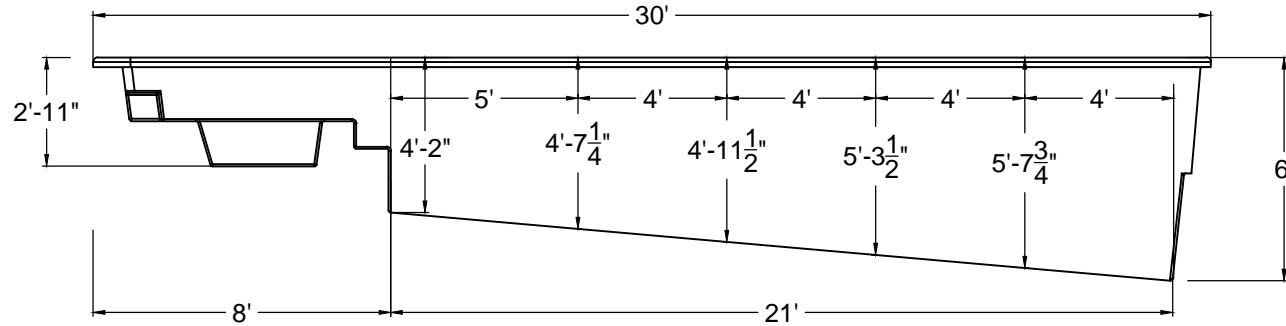
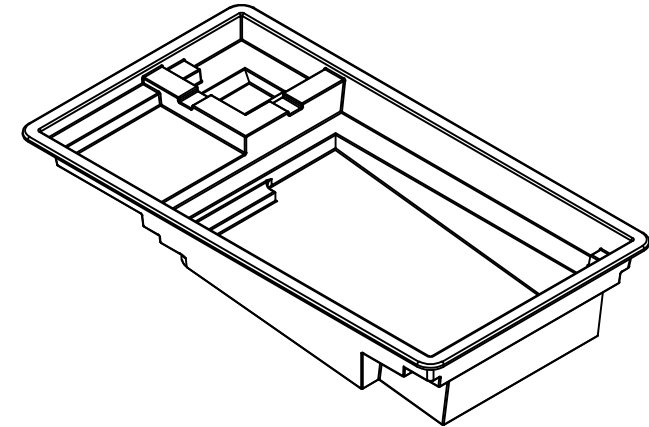
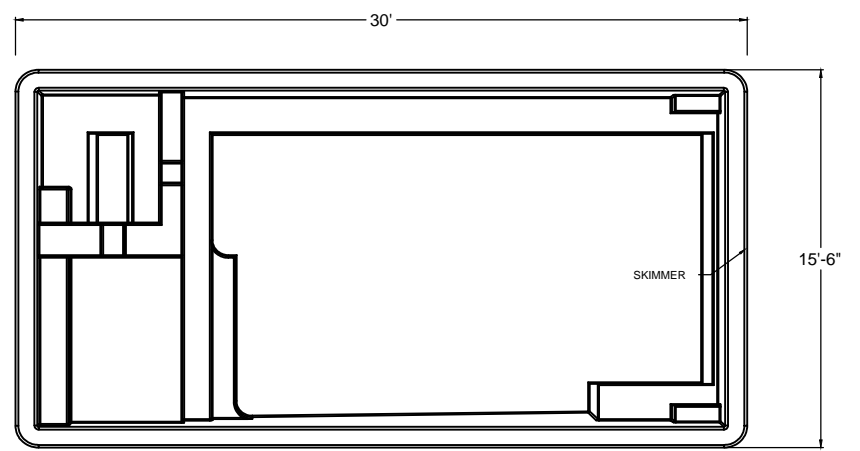
Suction entrapment avoidance to be installed in accordance with APSP/ANSI/ICC-7 Pool Coping/Deck is within 12" of the designated waterline, this satisfies requirement for handholds per ISPSC 2024 SECTION 323.1.



Fort Plain Fiberglass Pools, LLC is the manufacturer of Blue Anchor pool shells. Fort Plain distributes its products through unaffiliated distributors and contractors. Therefore, as such, Imperial Pools, Inc. is not responsible for errors or omissions, all specifications, measurements, and pool information is provided by Fort Plain Fiberglass Pools. Imperial Pools, Inc./Blue Anchor Pools brand is not responsible for the installation of its Blue Anchor Pools and does not have control over the workmanship or installation standards of independent contractors. Blue Anchor Pools are intended for residential use only.

Dania 30

SIZE	15'-6" x 30'
DEPTH	6'-0"
PERIMETER	89'-5 1/2"
AREA	464.44 SQ FT
VOLUME	13,500 Gal.
OVERDIG	1'-0"



NO DIVING PERMITTED INTO THIS POOL

The bottom configuration shown conforms with current ISPS & ANSI / APSP / ICC suggested minimum standards for pools **NOT** approved for diving.

WARNING:

Swimming pools can be dangerous if used improperly. Consult your dealer for information on safe use. It's the responsibility of town officials, builders and homeowners to follow safety recommendations of APSP/ANSI, local ordinances & equipment manufacturers.

All work not specifically shown here is to be done in accordance with the requirements of the 2024 INTERNATIONAL SWIMMING POOL & SPA CODE, APSP/ANSI/ICC-5 2011 STANDARDS FOR RESIDENTIAL INGROUND SWIMMING POOLS, and all other local building codes.

Construction Drawing: Different methods and precautions may be dictated by various ground conditions. This is to be determined by and is the responsibility of the contractor who is not an agent of the manufacturer.
Depth and shape of the pool meet minimum standards of the 2024 INTERNATIONAL SWIMMING POOL & SPA CODE and the APSP/ANSI/ICC-5 2011 STANDARDS FOR RESIDENTIAL INGROUND SWIMMING POOLS.

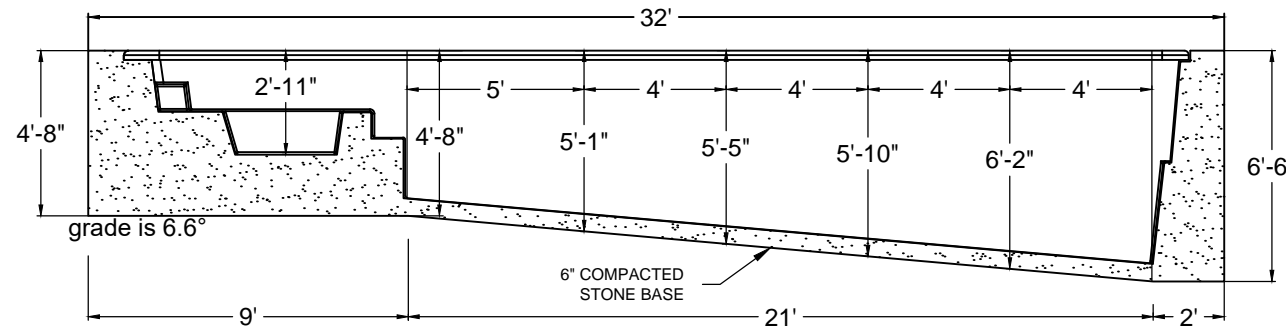
A means of entry & exit for the deep end & shallow end of the pool must be provided in accordance with 2024 INTERNATIONAL SWIMMING POOL & SPA CODE, section 809.

Equipotential bonding must be provided in accordance with the NATIONAL ELECTRIC CODE, NFPA 70.

3' wide, 3" thick concrete deck is to be poured at a slope of 1/4" to 1' away from the pool. NO DIVING labels are to be installed around the perimeter of the pool.

A safety line, with buoys, is to be permanently attached 1'0" to the shallow side of the point of first slope change.

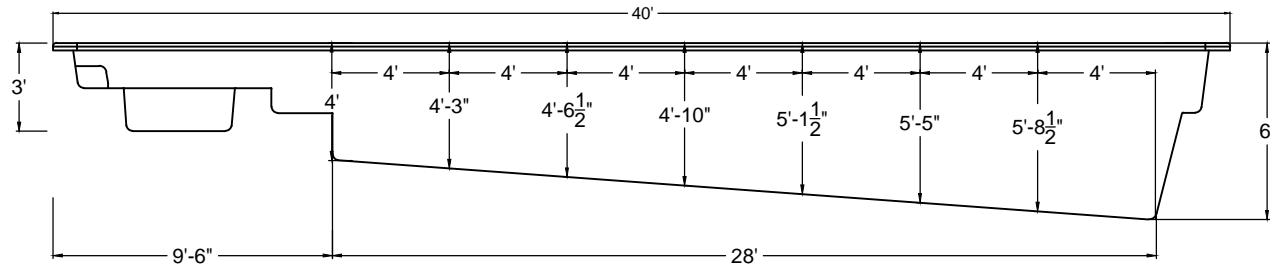
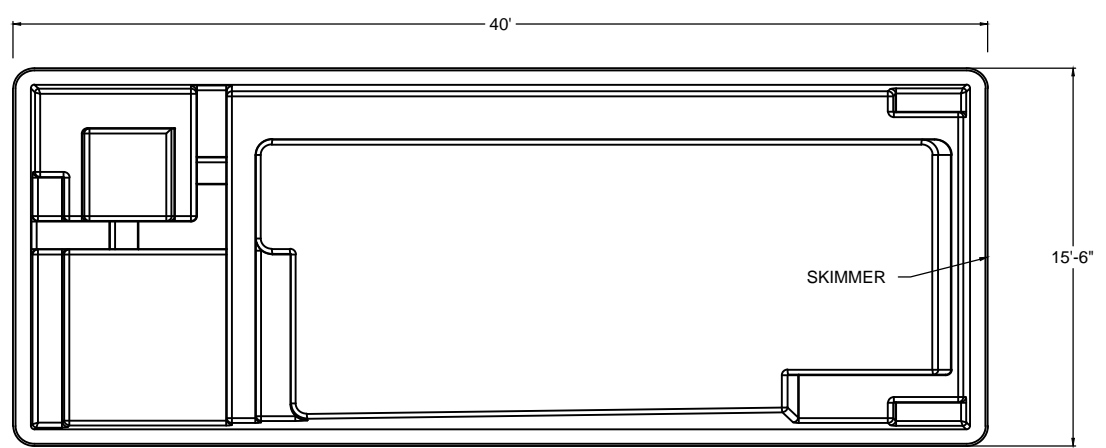
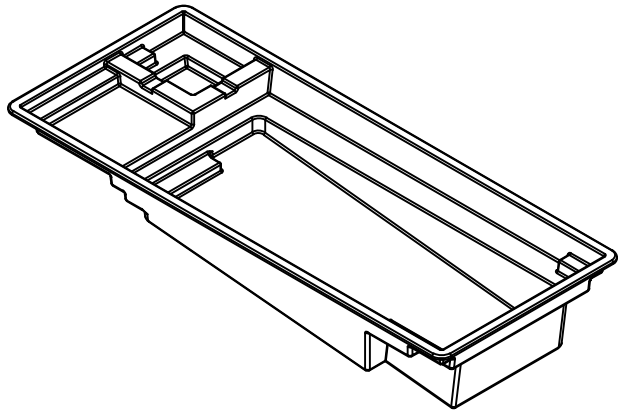
Suction entrapment avoidance to be installed in accordance with APSP/ANSI/ICC-7 Pool Coping/Deck is within 12" of the designated waterline, this satisfies requirement for handholds per ISPS 2024 SECTION 323.1



Fort Plain Fiberglass Pools, LLC is the manufacturer of Blue Anchor pool shells. Fort Plain distributes its products through unaffiliated distributors and contractors. Therefore, as such, Imperial Pools, Inc. is not responsible for errors or omissions, all specifications, measurements, and pool information is provided by Fort Plain Fiberglass Pools. Imperial Pools, Inc./Blue Anchor Pools brand is not responsible for the installation of its Blue Anchor Pools and does not have control over the workmanship or installation standards of independent contractors. Blue Anchor Pools are intended for residential use only.

Dania 40

SIZE	15'-6" x 40'
DEPTH	6'-0"
PERIMETER	109'-7 1/4"
AREA	619.43 SQ FT
VOLUME	18,000 Gal.
OVERDIG	1'-0"



NO DIVING PERMITTED INTO THIS POOL

The bottom configuration shown conforms with current ISPSC & ANSI / APSP / ICC suggested minimum standards for pools **NOT** approved for diving.

WARNING:

Swimming pools can be dangerous if used improperly. Consult your dealer for information on safe use. It's the responsibility of town officials, builders and homeowners to follow safety recommendations of APSP/ANSI, local ordinances & equipment manufacturers.

All work not specifically shown here is to be done in accordance with the requirements of the 2024 INTERNATIONAL SWIMMING POOL & SPA CODE, APSP/ANSI/ICC-5 2011 STANDARDS FOR RESIDENTIAL INGROUND SWIMMING POOLS, and all other local building codes.

Construction Drawing: Different methods and precautions may be dictated by various ground conditions. This is to be determined by and is the responsibility of the contractor who is not an agent of the manufacturer.
Depth and shape of the pool meet minimum standards of the 2024 INTERNATIONAL SWIMMING POOL & SPA CODE and the APSP/ANSI/ICC-5 2011 STANDARDS FOR RESIDENTIAL INGROUND SWIMMING POOLS.

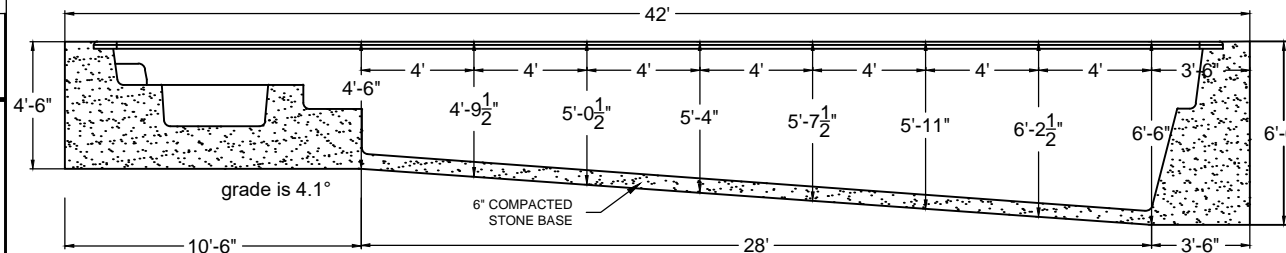
A means of entry & exit for the deep end & shallow end of the pool must be provided in accordance with 2024 INTERNATIONAL SWIMMING POOL & SPA CODE, section 809.

Equipotential bonding must be provided in accordance with the NATIONAL ELECTRIC CODE, NFPA 70.

3' wide, 3" thick concrete deck is to be poured at a slope of 1/4" to 1' away from the pool. NO DIVING labels are to be installed around the perimeter of the pool.

A safety line, with buoys, is to be permanently attached 1'0" to the shallow side of the point of first slope change.

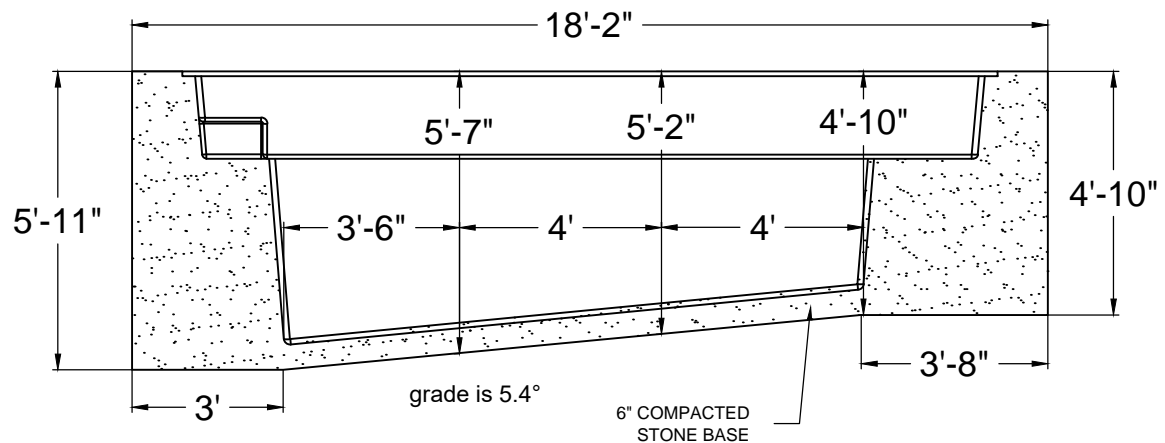
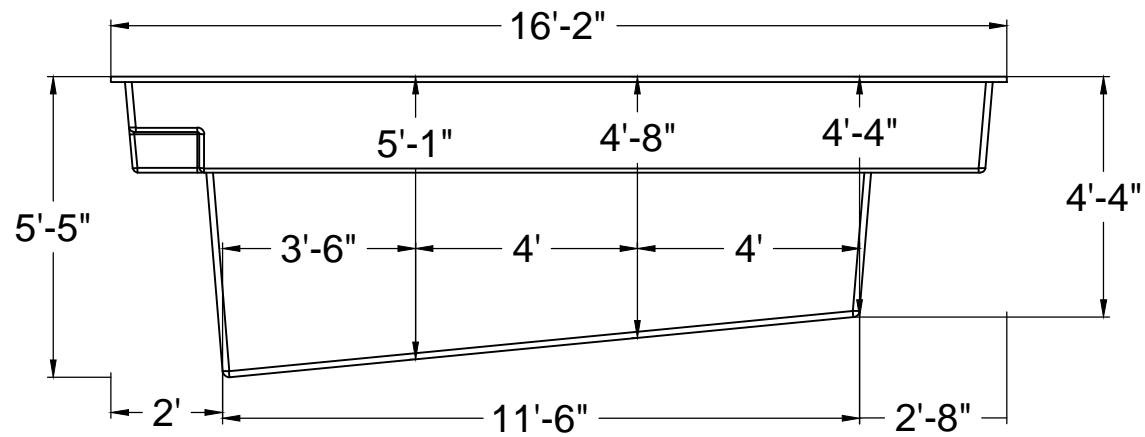
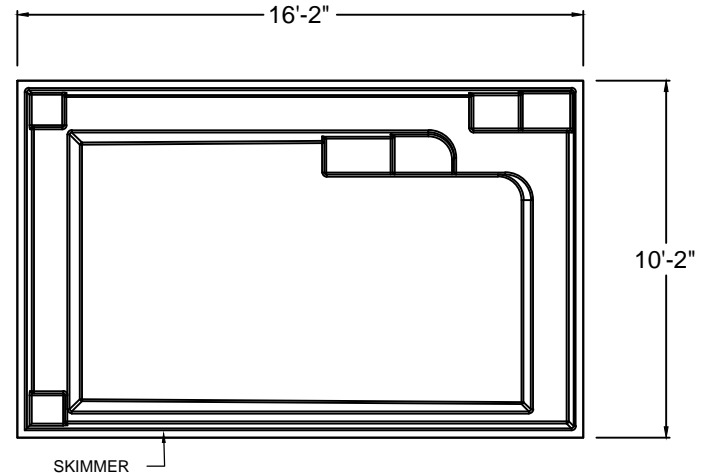
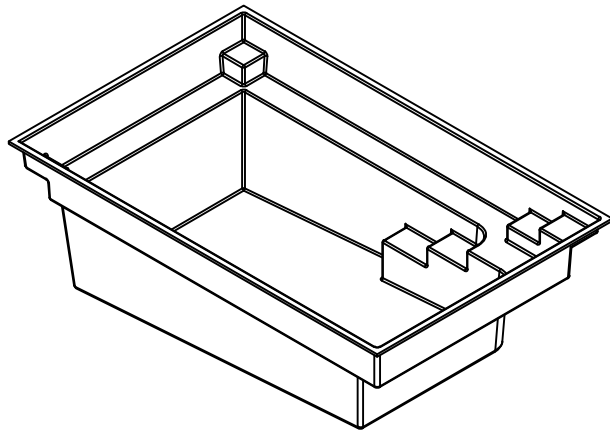
Suction entrapment avoidance to be installed in accordance with APSP/ANSI/ICC-7 Pool Coping/Deck is within 12" of the designated waterline, this satisfies requirement for handholds per ISPSC 2024 SECTION 323.1.



Fort Plain Fiberglass Pools, LLC is the manufacturer of Blue Anchor pool shells. Fort Plain distributes its products through unaffiliated distributors and contractors. Therefore, as such, Imperial Pools, Inc. is not responsible for errors or omissions, all specifications, measurements, and pool information is provided by Fort Plain Fiberglass Pools. Imperial Pools, Inc./Blue Anchor Pools brand is not responsible for the installation of its Blue Anchor Pools and does not have control over the workmanship or installation standards of independent contractors. Blue Anchor Pools are intended for residential use only.

Jupiter Plunge

SIZE	10'-2" x 16'-2"
DEPTH	5'-5"
PERIMETER	52'-7 1/2"
AREA	164.28 SQ FT
VOLUME	4,000 Gal.
OVERDIG	1'-0"



NO DIVING PERMITTED INTO THIS POOL

The bottom configuration shown conforms with current ISPSC & ANSI / APSP / ICC suggested minimum standards for pools **NOT** approved for diving.

WARNING:

Swimming pools can be dangerous if used improperly. Consult your dealer for information on safe use. It's the responsibility of town officials, builders and homeowners to follow safety recommendations of APSP/ANSI, local ordinances & equipment manufacturers.

All work not specifically shown here is to be done in accordance with the requirements of the 2024 INTERNATIONAL SWIMMING POOL & SPA CODE, APSP/ANSI/ICC-5 2011 STANDARDS FOR RESIDENTIAL INGROUND SWIMMING POOLS, and all other local building codes.

Construction Drawing: Different methods and precautions may be dictated by various ground conditions. This is to be determined by and is the responsibility of the contractor who is not an agent of the manufacturer.

Depth and shape of the pool meet minimum standards of the 2024 INTERNATIONAL SWIMMING POOL & SPA CODE and the APSP/ANSI/ICC-5 2011 STANDARDS FOR RESIDENTIAL INGROUND SWIMMING POOLS.

A means of entry & exit for the deep end & shallow end of the pool must be provided in accordance with 2024 INTERNATIONAL SWIMMING POOL & SPA CODE, section 809.

Equipment bonding must be provided in accordance with the NATIONAL ELECTRIC CODE, NFPA 70.

3' wide, 3" thick concrete deck is to be poured at a slope of 1/4" to 1' away from the pool. NO DIVING labels are to be installed around the perimeter of the pool.

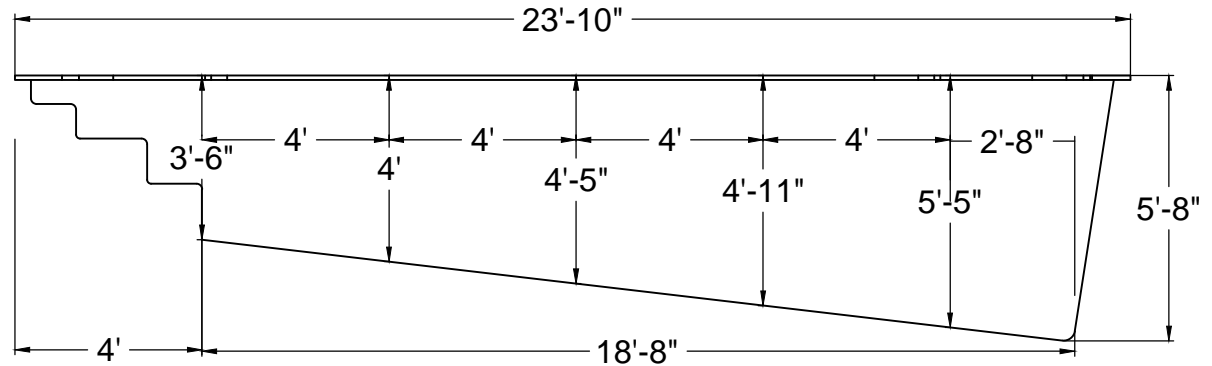
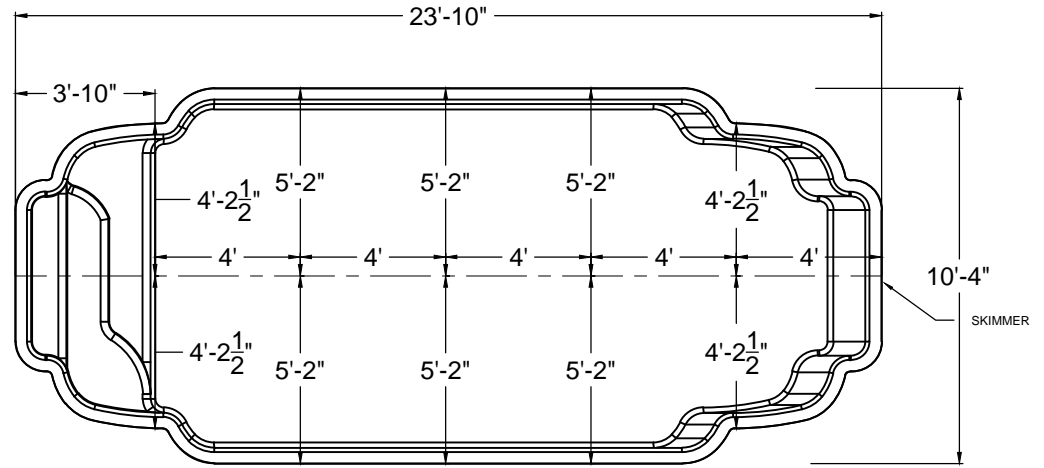
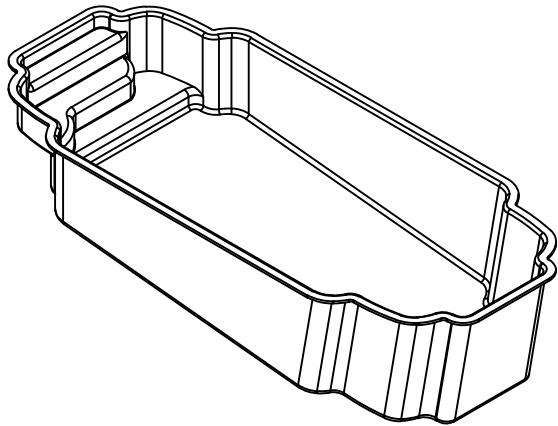
A safety line, with buoys, is to be permanently attached 1'0" to the shallow side of the point of first slope change.

Suction entrapment avoidance to be installed in accordance with APSP/ANSI/ICC-7 Pool Coping/Deck is within 12" of the designated waterline, this satisfies requirement for handholds per ISPSC 2024 SECTION 323.1.

Fort Plain Fiberglass Pools, LLC is the manufacturer of Blue Anchor pool shells. Fort Plain distributes its products through unaffiliated distributors and contractors. Therefore, as such, Imperial Pools, Inc. is not responsible for errors or omissions, all specifications, measurements, and pool information is provided by Fort Plain Fiberglass Pools. Imperial Pools, Inc./Blue Anchor Pools brand is not responsible for the installation of its Blue Anchor Pools and does not have control over the workmanship or installation standards of independent contractors. Blue Anchor Pools are intended for residential use only.

Bahia

SIZE	10'-4" x 23'-10"
DEPTH	5'-8"
PERIMETER	61'-2 1/2"
AREA	218.61 SQ FT
VOLUME	5,500 Gal.
OVERDIG	1'-0"



NO DIVING PERMITTED INTO THIS POOL

The bottom configuration shown conforms with current ISPS & ANSI / APSP / ICC suggested minimum standards for pools **NOT** approved for diving.

WARNING:

Swimming pools can be dangerous if used improperly. Consult your dealer for information on safe use. It's the responsibility of town officials, builders and homeowners to follow safety recommendations of APSP/ANSI, local ordinances & equipment manufacturers.

All work not specifically shown here is to be done in accordance with the requirements of the 2024 INTERNATIONAL SWIMMING POOL & SPA CODE, APSP/ANSI/ICC-5 2011 STANDARDS FOR RESIDENTIAL INGROUND SWIMMING POOLS, and all other local building codes.

Construction Drawing: Different methods and precautions may be dictated by various ground conditions. This is to be determined by and is the responsibility of the contractor who is not an agent of the manufacturer.

Depth and shape of the pool meet minimum standards of the 2024 INTERNATIONAL SWIMMING POOL & SPA CODE and the APSP/ANSI/ICC-5 2011 STANDARDS FOR RESIDENTIAL INGROUND SWIMMING POOLS.

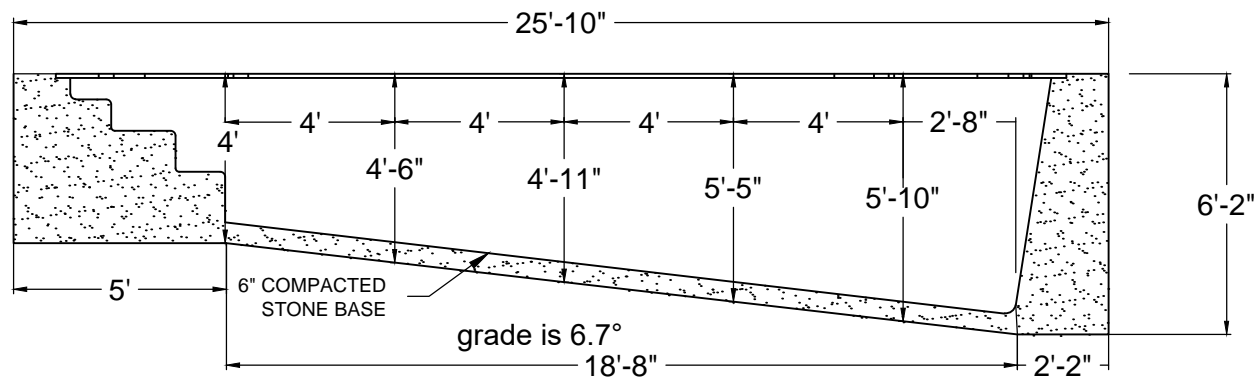
A means of entry & exit for the deep end & shallow end of the pool must be provided in accordance with 2024 INTERNATIONAL SWIMMING POOL & SPA CODE, section 809.

Equipotential bonding must be provided in accordance with the NATIONAL ELECTRIC CODE, NFPA 70.

3' wide, 3" thick concrete deck is to be poured at a slope of 1/4" to 1' away from the pool. NO DIVING labels are to be installed around the perimeter of the pool.

A safety line, with buoys, is to be permanently attached 1'0" to the shallow side of the point of first slope change.

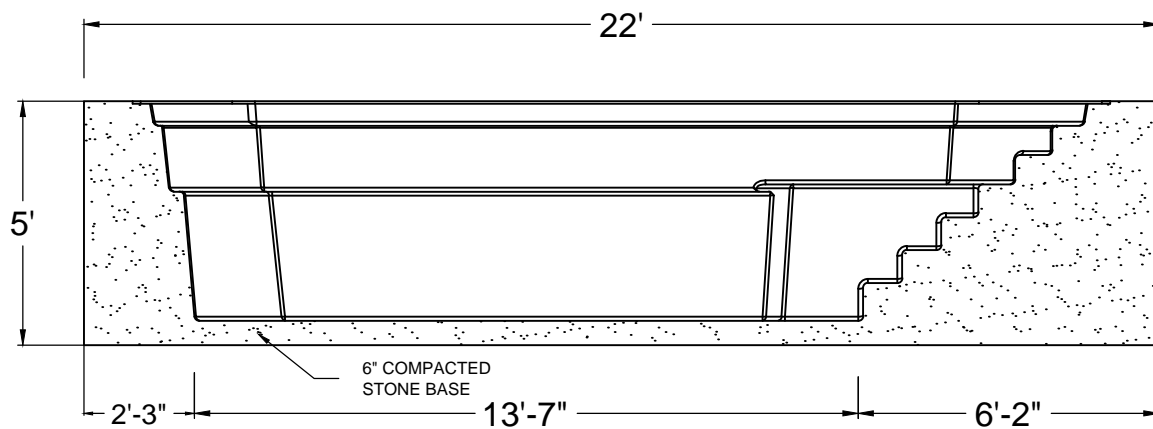
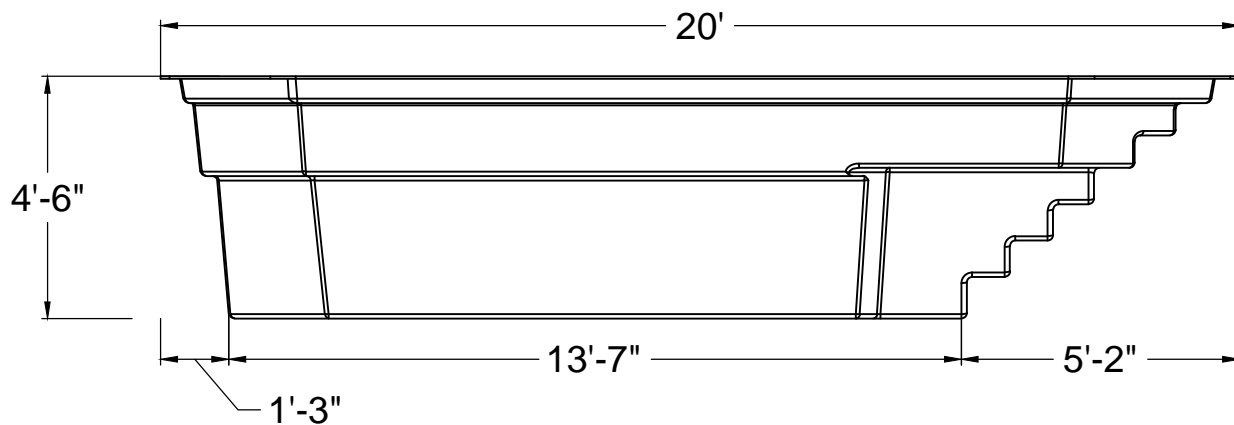
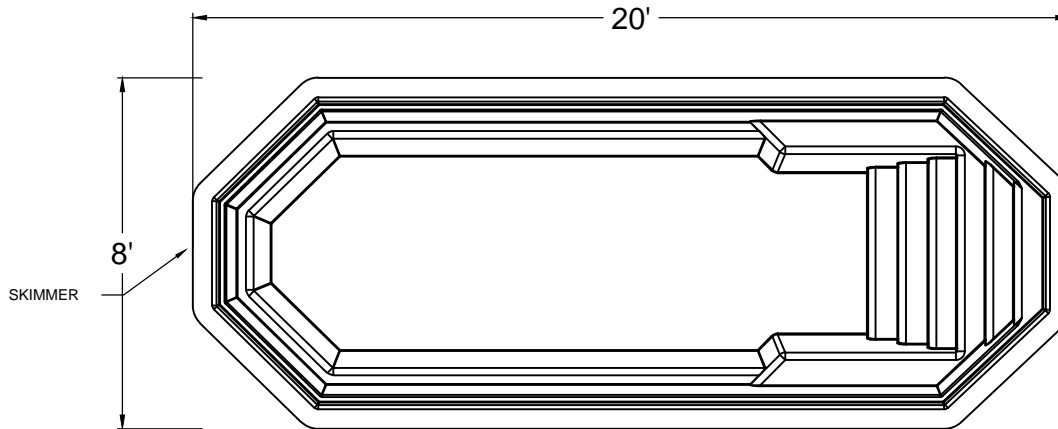
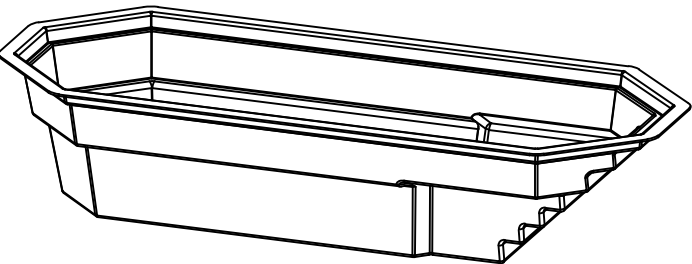
Suction entrapment avoidance to be installed in accordance with APSP/ANSI/ICC-7 Pool Coping/Deck is within 12" of the designated waterline, this satisfies requirement for handholds per ISPS 2024 SECTION 323.1.



Fort Plain Fiberglass Pools, LLC is the manufacturer of Blue Anchor pool shells. Fort Plain distributes its products through unaffiliated distributors and contractors. Therefore, as such, Imperial Pools, Inc. is not responsible for errors or omissions, all specifications, measurements, and pool information is provided by Fort Plain Fiberglass Pools. Imperial Pools, Inc./Blue Anchor Pools brand is not responsible for the installation of its Blue Anchor Pools and does not have control over the workmanship or installation standards of independent contractors. Blue Anchor Pools are intended for residential use only.

Santa Rosa

SIZE	8' x 20'
DEPTH	4'-6"
PERIMETER	49'-9 1/2"
AREA	146.79 SQ FT
VOLUME	4,000 Gal.
OVERDIG	1'-0"



NO DIVING PERMITTED INTO THIS POOL

The bottom configuration shown conforms with current ISPS & ANSI / APSP / ICC suggested minimum standards for pools **NOT** approved for diving.

WARNING:

Swimming pools can be dangerous if used improperly. Consult your dealer for information on safe use. It's the responsibility of town officials, builders and homeowners to follow safety recommendations of APSP/ANSI, local ordinances & equipment manufacturers.

All work not specifically shown here is to be done in accordance with the requirements of the 2024 INTERNATIONAL SWIMMING POOL & SPA CODE, APSP/ANSI/ICC-5 2011 STANDARDS FOR RESIDENTIAL INGROUND SWIMMING POOLS, and all other local building codes.

Construction Drawing: Different methods and precautions may be dictated by various ground conditions. This is to be determined by and is the responsibility of the contractor who is not an agent of the manufacturer.

Depth and shape of the pool meet minimum standards of the 2024 INTERNATIONAL SWIMMING POOL & SPA CODE and the APSP/ANSI/ICC-5 2011 STANDARDS FOR RESIDENTIAL INGROUND SWIMMING POOLS.

A means of entry & exit for the deep end & shallow end of the pool must be provided in accordance with 2024 INTERNATIONAL SWIMMING POOL & SPA CODE, section 809.

Equipotential bonding must be provided in accordance with the NATIONAL ELECTRIC CODE, NFPA 70.

3' wide, 3" thick concrete deck is to be poured at a slope of 1/4" to 1' away from the pool. NO DIVING labels are to be installed around the perimeter of the pool.

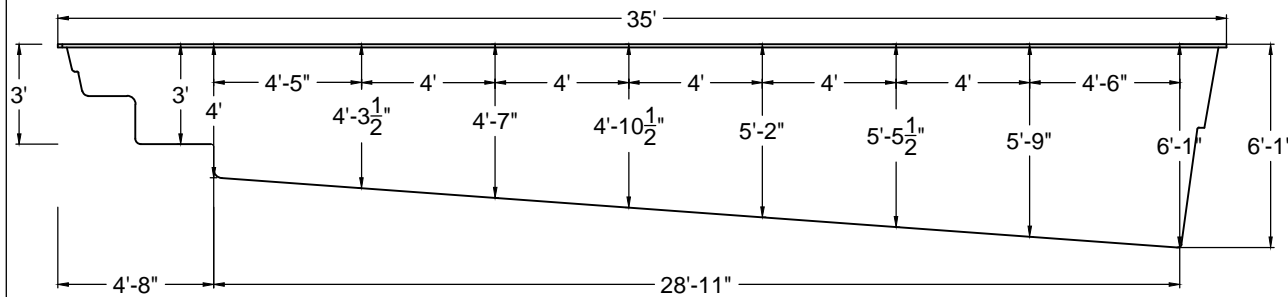
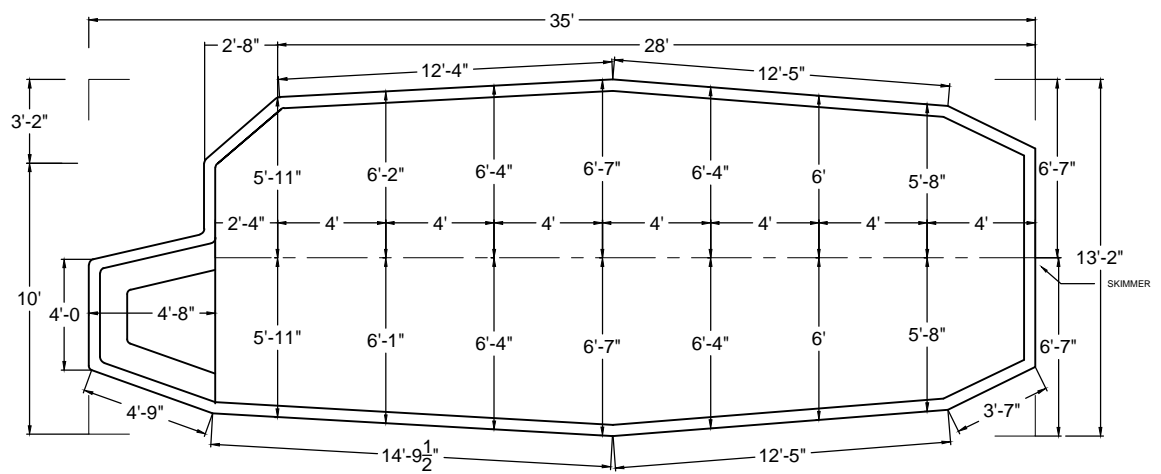
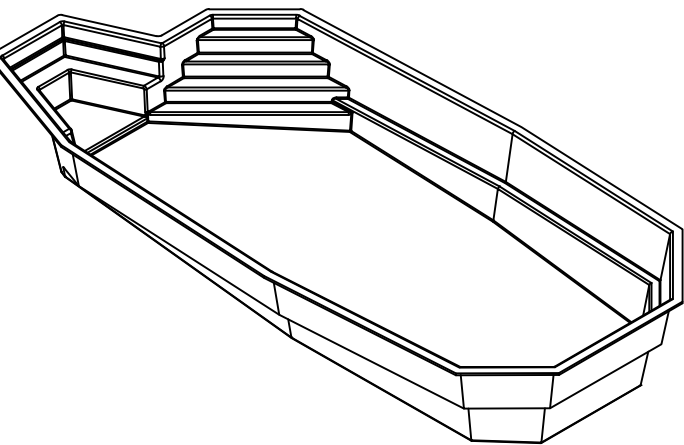
A safety line, with buoys, is to be permanently attached 1'0" to the shallow side of the point of first slope change.

Suction entrapment avoidance to be installed in accordance with APSP/ANSI/ICC-7 Pool Coping/Deck is within 12" of the designated waterline, this satisfies requirement for handholds per ISPS 2024 SECTION 323.1.

Fort Plain Fiberglass Pools, LLC is the manufacturer of Blue Anchor pool shells. Fort Plain distributes its products through unaffiliated distributors and contractors. Therefore, as such, Imperial Pools, Inc. is not responsible for errors or omissions, all specifications, measurements, and pool information is provided by Fort Plain Fiberglass Pools. Imperial Pools, Inc./Blue Anchor Pools brand is not responsible for the installation of its Blue Anchor Pools and does not have control over the workmanship or installation standards of independent contractors. Blue Anchor Pools are intended for residential use only.

DeSoto

SIZE	13'-2" x 35'
DEPTH	6'-1"
PERIMETER	86'-8"
AREA	387.99 SQ FT
VOLUME	11,000 Gal.
OVERDIG	1'-0"



NO DIVING PERMITTED INTO THIS POOL

The bottom configuration shown conforms with current ISPSC & ANSI / APSP / ICC suggested minimum standards for pools **NOT** approved for diving.

WARNING:

Swimming pools can be dangerous if used improperly. Consult your dealer for information on safe use. It's the responsibility of town officials, builders and homeowners to follow safety recommendations of APSP/ANSI, local ordinances & equipment manufacturers.

All work not specifically shown here is to be done in accordance with the requirements of the 2024 INTERNATIONAL SWIMMING POOL & SPA CODE, APSP/ANSI/ICC-5 2011 STANDARDS FOR RESIDENTIAL INGROUND SWIMMING POOLS, and all other local building codes.

Construction Drawing: Different methods and precautions may be dictated by various ground conditions. This is to be determined by and is the responsibility of the contractor who is not an agent of the manufacturer.
Depth and shape of the pool meet minimum standards of the 2024 INTERNATIONAL SWIMMING POOL & SPA CODE and the APSP/ANSI/ICC-5 2011 STANDARDS FOR RESIDENTIAL INGROUND SWIMMING POOLS.

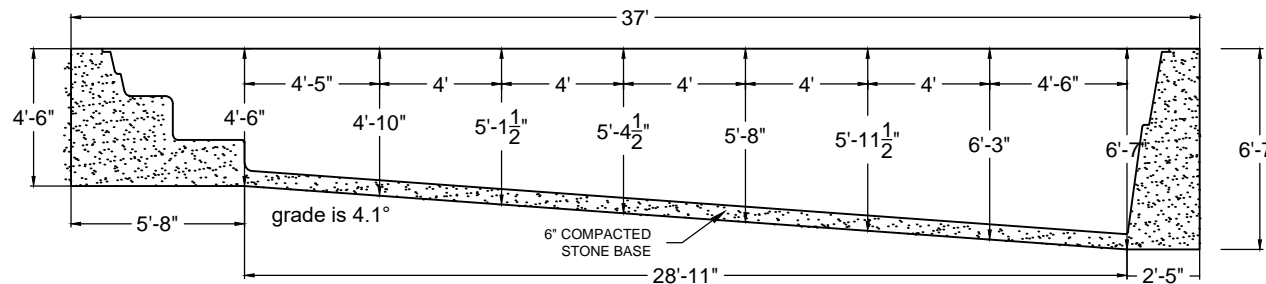
A means of entry & exit for the deep end & shallow end of the pool must be provided in accordance with 2024 INTERNATIONAL SWIMMING POOL & SPA CODE, section 809.

Equipotential bonding must be provided in accordance with the NATIONAL ELECTRIC CODE, NFPA 70.

3' wide, 3" thick concrete deck is to be poured at a slope of 1/4" to 1' away from the pool. NO DIVING labels are to be installed around the perimeter of the pool.

A safety line, with buoys, is to be permanently attached 1'0" to the shallow side of the point of first slope change.

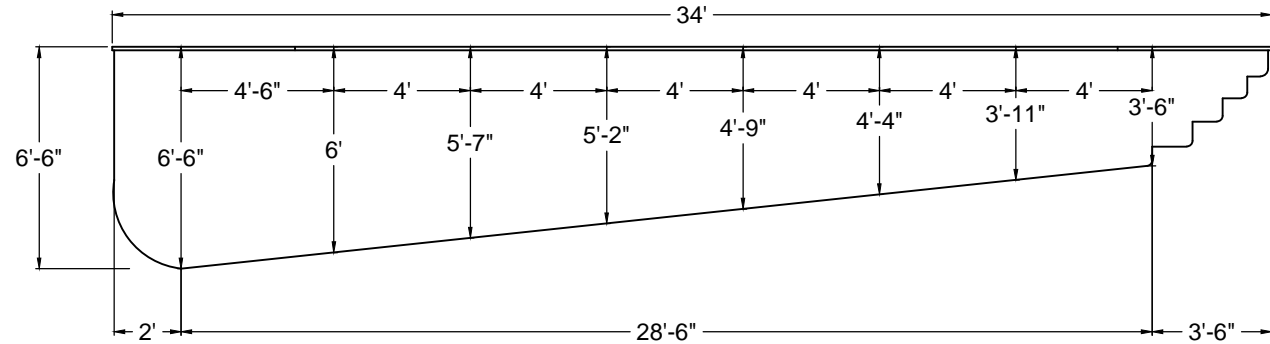
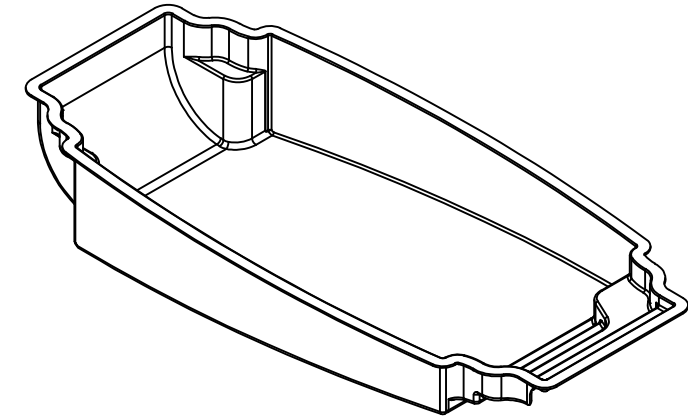
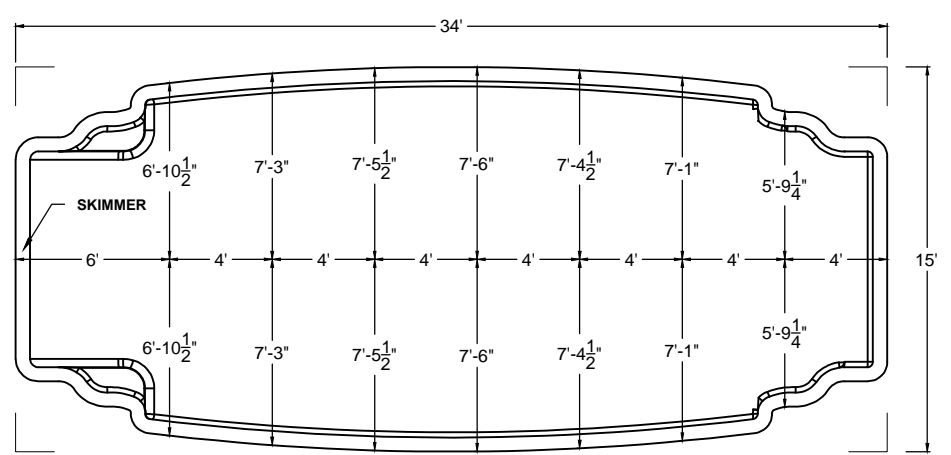
Suction entrapment avoidance to be installed in accordance with APSP/ANSI/ICC-7 Pool Coping/Deck is within 12" of the designated waterline, this satisfies requirement for handholds per ISPSC 2024 SECTION 323.1



Fort Plain Fiberglass Pools, LLC is the manufacturer of Blue Anchor pool shells. Fort Plain distributes its products through unaffiliated distributors and contractors. Therefore, as such, Imperial Pools, Inc. is not responsible for errors or omissions, all specifications, measurements, and pool information is provided by Fort Plain Fiberglass Pools. Imperial Pools, Inc./Blue Anchor Pools brand is not responsible for the installation of its Blue Anchor Pools and does not have control over the workmanship or installation standards of independent contractors. Blue Anchor Pools are intended for residential use only.

Pompano

SIZE	15' x 34'
DEPTH	6'-6"
PERIMETER	89'-1 3/4"
AREA	454.25 SQ FT
VOLUME	13,000 Gal.
OVERDIG	1'-0"



NO DIVING PERMITTED INTO THIS POOL

The bottom configuration shown conforms with current ISPSC & ANSI / APSP / ICC suggested minimum standards for pools **NOT** approved for diving.

WARNING:

Swimming pools can be dangerous if used improperly. Consult your dealer for information on safe use. It's the responsibility of town officials, builders and homeowners to follow safety recommendations of APSP/ANSI, local ordinances & equipment manufacturers.

All work not specifically shown here is to be done in accordance with the requirements of the 2024 INTERNATIONAL SWIMMING POOL & SPA CODE, APSP/ANSI/ICC-5 2011 STANDARDS FOR RESIDENTIAL INGROUND SWIMMING POOLS, and all other local building codes.

Construction Drawing: Different methods and precautions may be dictated by various ground conditions. This is to be determined by and is the responsibility of the contractor who is not an agent of the manufacturer.

Depth and shape of the pool meet minimum standards of the 2024 INTERNATIONAL SWIMMING POOL & SPA CODE and the APSP/ANSI/ICC-5 2011 STANDARDS FOR RESIDENTIAL INGROUND SWIMMING POOLS.

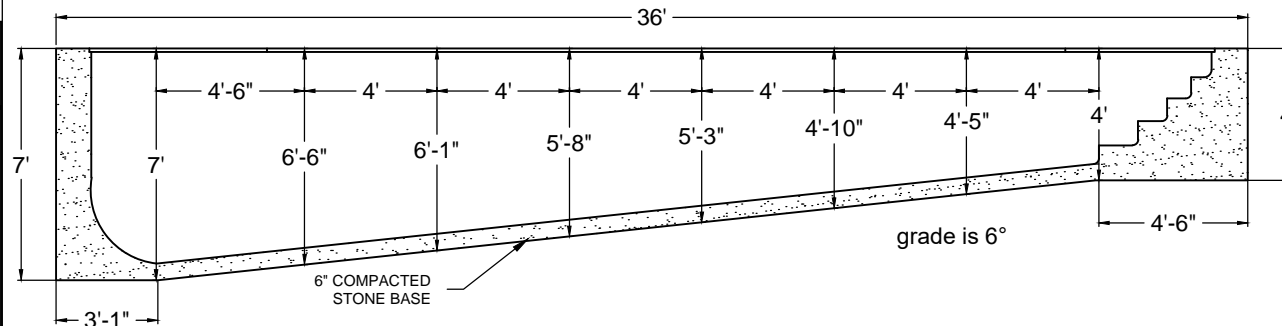
A means of entry & exit for the deep end & shallow end of the pool must be provided in accordance with 2024 INTERNATIONAL SWIMMING POOL & SPA CODE, section 809.

Equipotential bonding must be provided in accordance with the NATIONAL ELECTRIC CODE, NFPA 70.

3' wide, 3" thick concrete deck is to be poured at a slope of 1/4" to 1' away from the pool. NO DIVING labels are to be installed around the perimeter of the pool.

A safety line, with buoys, is to be permanently attached 1'0" to the shallow side of the point of first slope change.

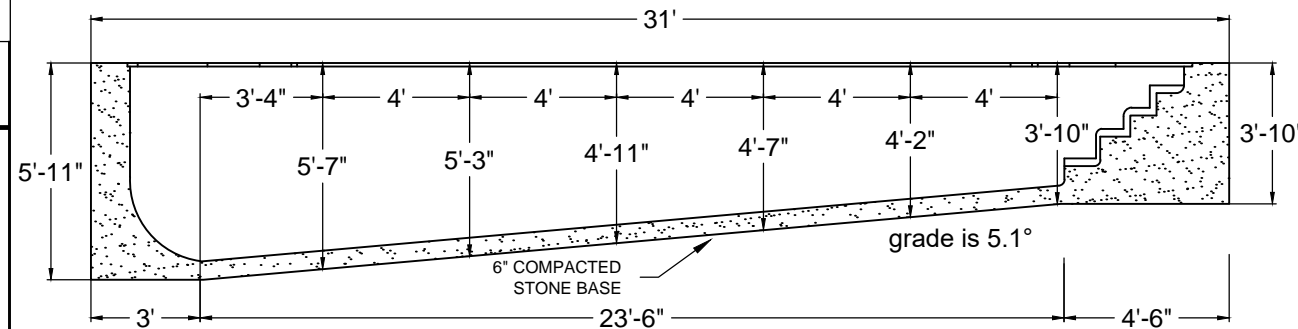
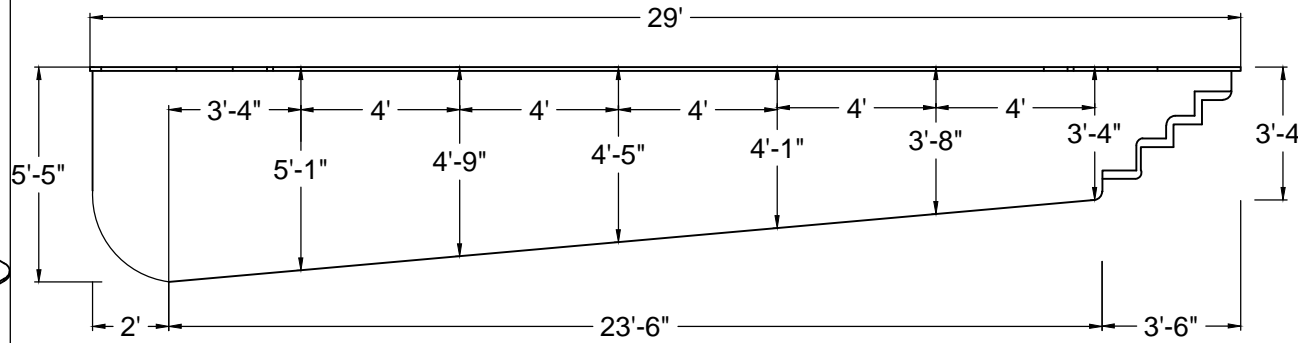
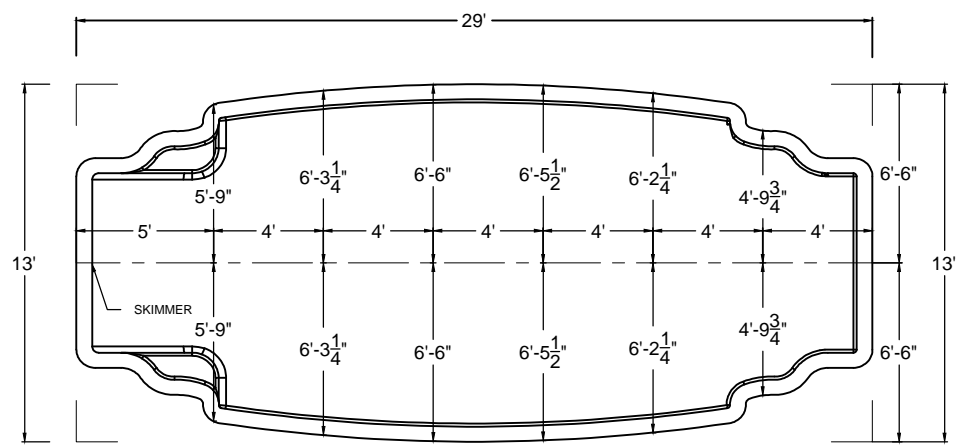
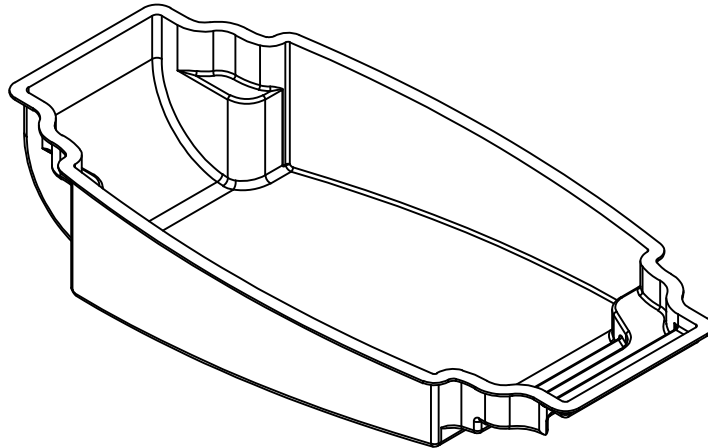
Suction entrapment avoidance to be installed in accordance with APSP/ANSI/ICC-7 Pool Coping/Deck is within 12" of the designated waterline, this satisfies requirement for handholds per ISPSC 2024 SECTION 323.1.



Fort Plain Fiberglass Pools, LLC is the manufacturer of Blue Anchor pool shells. Fort Plain distributes its products through unaffiliated distributors and contractors. Therefore, as such, Imperial Pools, Inc. is not responsible for errors or omissions, all specifications, measurements, and pool information is provided by Fort Plain Fiberglass Pools. Imperial Pools, Inc./Blue Anchor Pools brand is not responsible for the installation of its Blue Anchor Pools and does not have control over the workmanship or installation standards of independent contractors. Blue Anchor Pools are intended for residential use only.

Pensacola

SIZE	13' x 29'
DEPTH	5'-5"
PERIMETER	75'-7 3/4"
AREA	325.53 SQ FT
VOLUME	8,000 Gal.
OVERDIG	1'-0"



NO DIVING PERMITTED INTO THIS POOL

The bottom configuration shown conforms with current ISPSC & ANSI / APSP / ICC suggested minimum standards for pools **NOT** approved for diving.

WARNING:

Swimming pools can be dangerous if used improperly. Consult your dealer for information on safe use. It's the responsibility of town officials, builders and homeowners to follow safety recommendations of APSP/ANSI, local ordinances & equipment manufacturers.

All work not specifically shown here is to be done in accordance with the requirements of the 2024 INTERNATIONAL SWIMMING POOL & SPA CODE, APSP/ANSI/ICC-5 2011 STANDARDS FOR RESIDENTIAL INGROUND SWIMMING POOLS, and all other local building codes.

Construction Drawing: Different methods and precautions may be dictated by various ground conditions. This is to be determined by and is the responsibility of the contractor who is not an agent of the manufacturer.

Depth and shape of the pool meet minimum standards of the 2024 INTERNATIONAL SWIMMING POOL & SPA CODE and the APSP/ANSI/ICC-5 2011 STANDARDS FOR RESIDENTIAL INGROUND SWIMMING POOLS.

A means of entry & exit for the deep end & shallow end of the pool must be provided in accordance with 2024 INTERNATIONAL SWIMMING POOL & SPA CODE, section 809.

Equipotential bonding must be provided in accordance with the NATIONAL ELECTRIC CODE, NFPA 70.

3' wide, 3" thick concrete deck is to be poured at a slope of 1/4" to 1' away from the pool. NO DIVING labels are to be installed around the perimeter of the pool.

A safety line, with buoys, is to be permanently attached 1'0" to the shallow side of the point of first slope change.

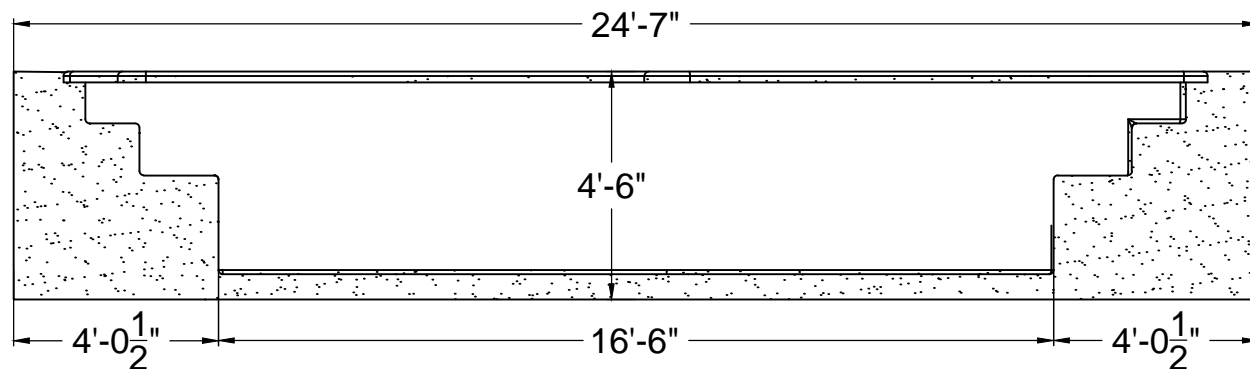
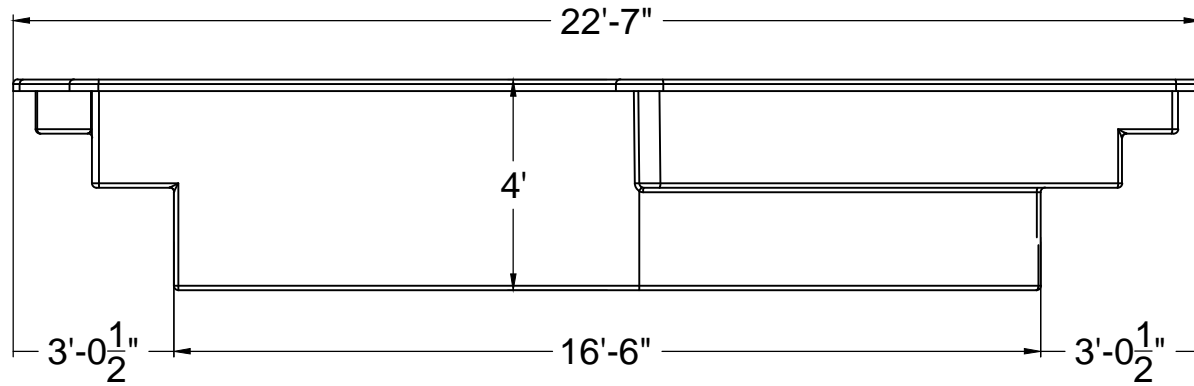
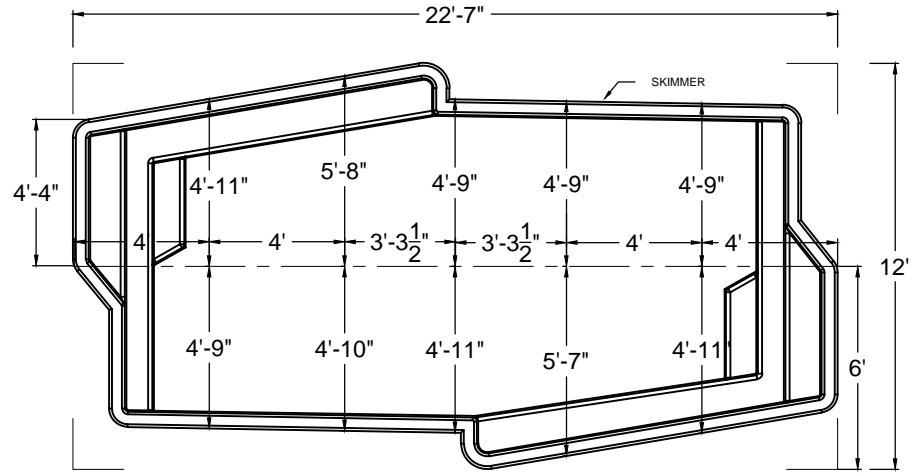
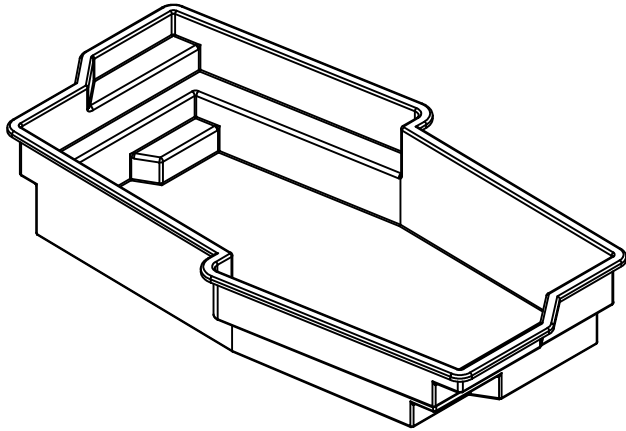
Suction entrapment avoidance to be installed in accordance with APSP/ANSI/ICC-7

Pool Coping/Deck is within 12" of the designated waterline, this satisfies requirement for handholds per ISPSC 2024 SECTION 323.1.

Fort Plain Fiberglass Pools, LLC is the manufacturer of Blue Anchor pool shells. Fort Plain distributes its products through unaffiliated distributors and contractors. Therefore, as such, Imperial Pools, Inc. is not responsible for errors or omissions, all specifications, measurements, and pool information is provided by Fort Plain Fiberglass Pools. Imperial Pools, Inc./Blue Anchor Pools brand is not responsible for the installation of its Blue Anchor Pools and does not have control over the workmanship or installation standards of independent contractors. Blue Anchor Pools are intended for residential use only.

Bradenton

SIZE	12' x 22'-7"
DEPTH	4'-0"
PERIMETER	62'-9 1/2"
AREA	217.05 SQ FT
VOLUME	4,250 Gal.
OVERDIG	1'-0"



NO DIVING PERMITTED INTO THIS POOL

The bottom configuration shown conforms with current ISPS & ANSI / APSP / ICC suggested minimum standards for pools **NOT** approved for diving.

WARNING:

Swimming pools can be dangerous if used improperly. Consult your dealer for information on safe use. It's the responsibility of town officials, builders and homeowners to follow safety recommendations of APSP/ANSI, local ordinances & equipment manufacturers.

All work not specifically shown here is to be done in accordance with the requirements of the 2024 INTERNATIONAL SWIMMING POOL & SPA CODE, APSP/ANSI/ICC-5 2011 STANDARDS FOR RESIDENTIAL INGROUND SWIMMING POOLS, and all other local building codes.

Construction Drawing: Different methods and precautions may be dictated by various ground conditions. This is to be determined by and is the responsibility of the contractor who is not an agent of the manufacturer.

Depth and shape of the pool meet minimum standards of the 2024 INTERNATIONAL SWIMMING POOL & SPA CODE and the APSP/ANSI/ICC-5 2011 STANDARDS FOR RESIDENTIAL INGROUND SWIMMING POOLS.

A means of entry & exit for the deep end & shallow end of the pool must be provided in accordance with 2024 INTERNATIONAL SWIMMING POOL & SPA CODE, section 809.

Equipotential bonding must be provided in accordance with the NATIONAL ELECTRIC CODE, NFPA 70.

3' wide, 3" thick concrete deck is to be poured at a slope of 1/4" to 1' away from the pool. NO DIVING labels are to be installed around the perimeter of the pool.

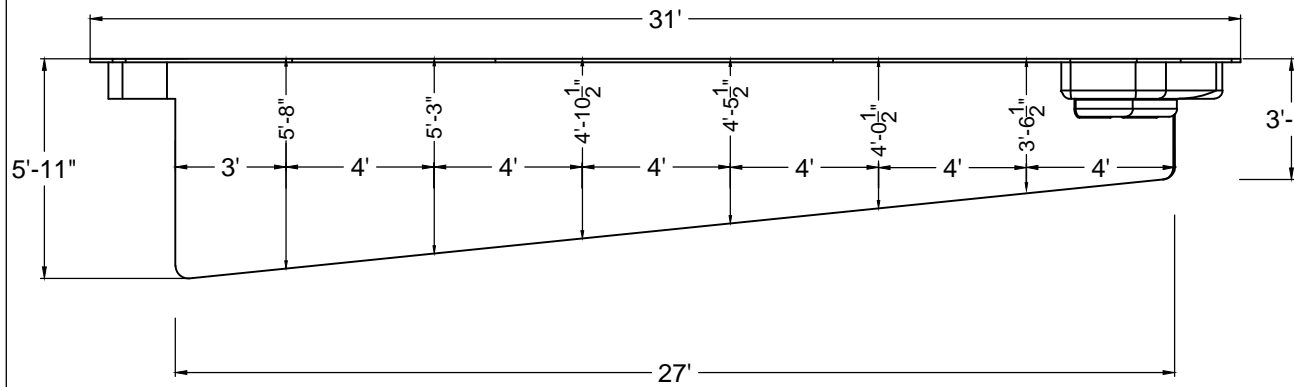
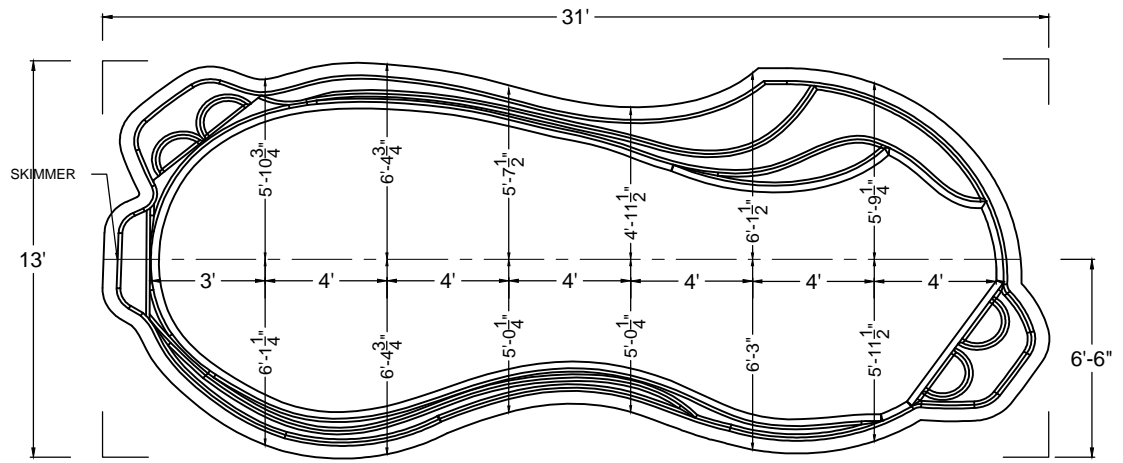
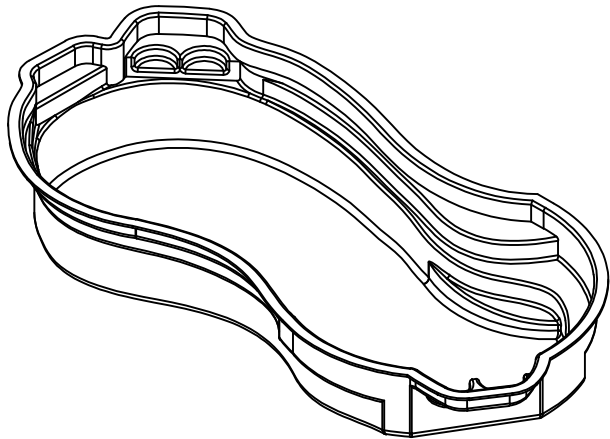
A safety line, with buoys, is to be permanently attached 1'0" to the shallow side of the point of first slope change.

Suction entrapment avoidance to be installed in accordance with APSP/ANSI/ICC-7 Pool Coping/Deck is within 12" of the designated waterline, this satisfies requirement for handholds per ISPS 2024 SECTION 323.1.

Fort Plain Fiberglass Pools, LLC is the manufacturer of Blue Anchor pool shells. Fort Plain distributes its products through unaffiliated distributors and contractors. Therefore, as such, Imperial Pools, Inc. is not responsible for errors or omissions, all specifications, measurements, and pool information is provided by Fort Plain Fiberglass Pools. Imperial Pools, Inc./Blue Anchor Pools brand is not responsible for the installation of its Blue Anchor Pools and does not have control over the workmanship or installation standards of independent contractors. Blue Anchor Pools are intended for residential use only.

Lauderdale

SIZE	13' X 31'
DEPTH	5'-11"
PERIMETER	78'-4 1/4"
AREA	328.54 SQ FT
VOLUME	8,500 Gal.
OVERDIG	1'-0"



NO DIVING PERMITTED INTO THIS POOL

The bottom configuration shown conforms with current ISPSC & ANSI / APSP / ICC suggested minimum standards for pools **NOT** approved for diving.

WARNING:

Swimming pools can be dangerous if used improperly. Consult your dealer for information on safe use. It's the responsibility of town officials, builders and homeowners to follow safety recommendations of APSP/ANSI, local ordinances & equipment manufacturers.

All work not specifically shown here is to be done in accordance with the requirements of the 2024 INTERNATIONAL SWIMMING POOL & SPA CODE, APSP/ANSI/ICC-5 2011 STANDARDS FOR RESIDENTIAL INGROUND SWIMMING POOLS, and all other local building codes.

Construction Drawing: Different methods and precautions may be dictated by various ground conditions. This is to be determined by and is the responsibility of the contractor who is not an agent of the manufacturer.

Depth and shape of the pool meet minimum standards of the 2024 INTERNATIONAL SWIMMING POOL & SPA CODE and the APSP/ANSI/ICC-5 2011 STANDARDS FOR RESIDENTIAL INGROUND SWIMMING POOLS.

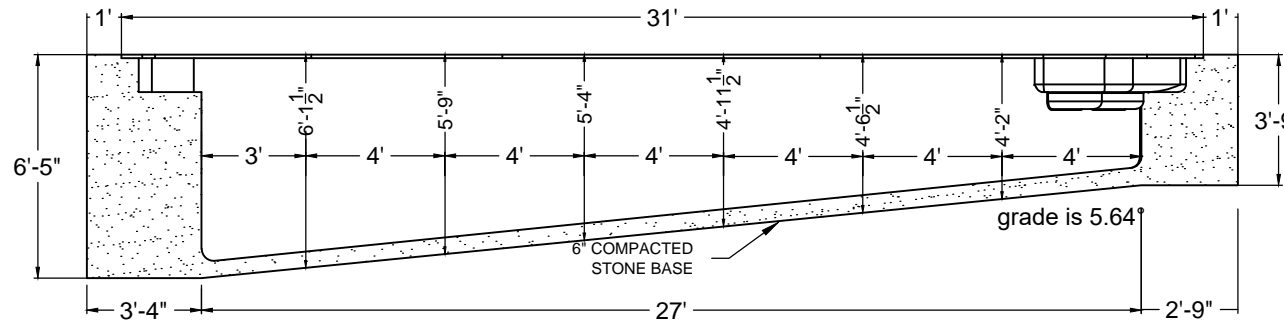
A means of entry & exit for the deep end & shallow end of the pool must be provided in accordance with 2024 INTERNATIONAL SWIMMING POOL & SPA CODE, section 809.

Equipotential bonding must be provided in accordance with the NATIONAL ELECTRIC CODE, NFPA 70.

3' wide, 3" thick concrete deck is to be poured at a slope of 1/4" to 1' away from the pool. NO DIVING labels are to be installed around the perimeter of the pool.

A safety line, with buoys, is to be permanently attached 1'0" to the shallow side of the point of first slope change.

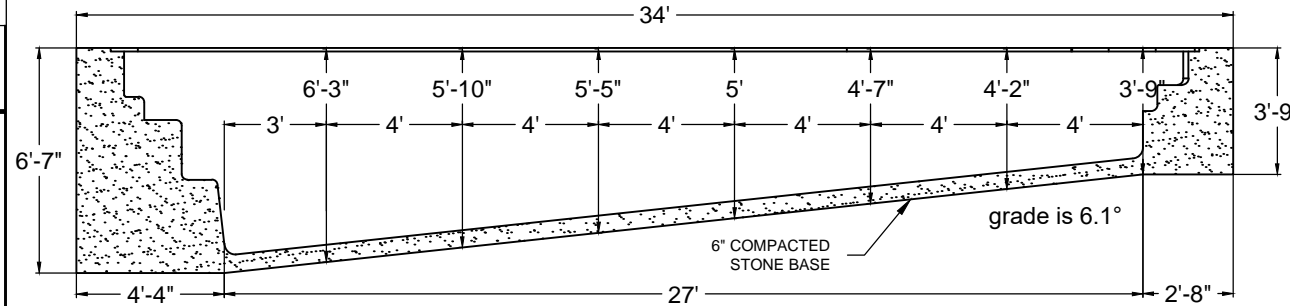
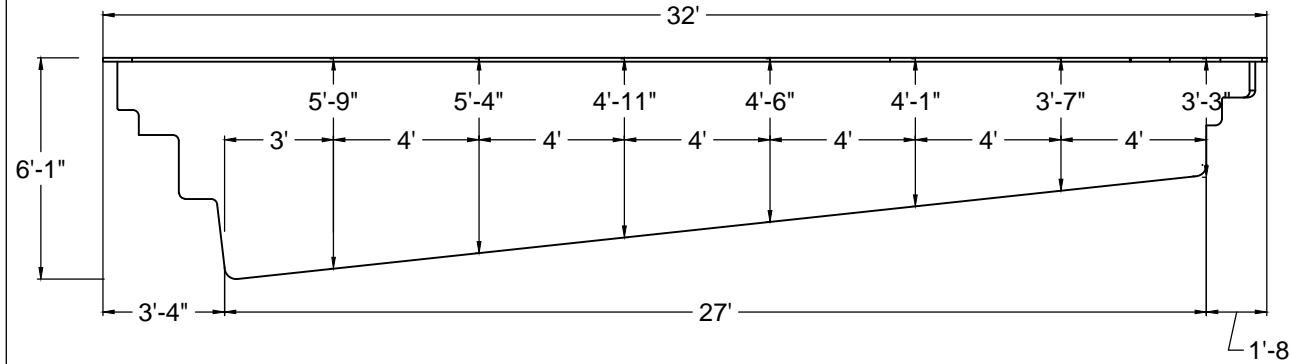
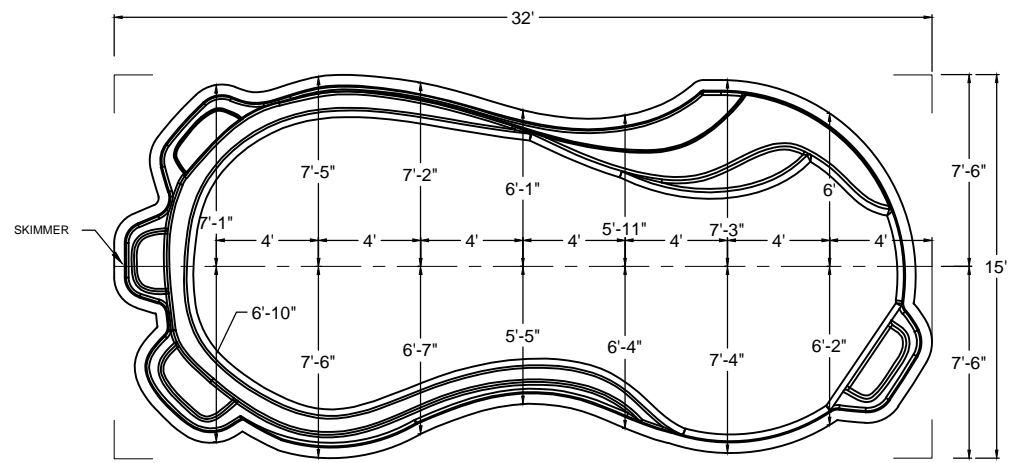
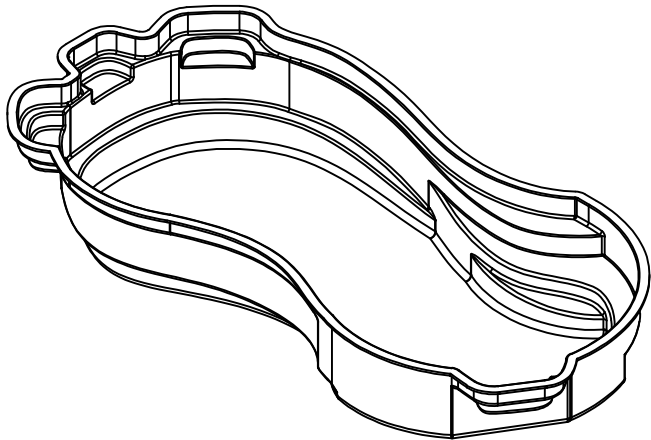
Suction entrapment avoidance to be installed in accordance with APSP/ANSI/ICC-7 Pool Coping/Deck is within 12" of the designated waterline, this satisfies requirement for handholds per ISPSC 2024 SECTION 323.1.



Fort Plain Fiberglass Pools, LLC is the manufacturer of Blue Anchor pool shells. Fort Plain distributes its products through unaffiliated distributors and contractors. Therefore, as such, Imperial Pools, Inc. is not responsible for errors or omissions, all specifications, measurements, and pool information is provided by Fort Plain Fiberglass Pools. Imperial Pools, Inc./Blue Anchor Pools brand is not responsible for the installation of its Blue Anchor Pools and does not have control over the workmanship or installation standards of independent contractors. Blue Anchor Pools are intended for residential use only.

Cocoa

SIZE	15' x 32'
DEPTH	6'-1"
PERIMETER	85'-3 1/4"
AREA	392.70 SQ FT
VOLUME	10,000 Gal.
OVERDIG	1'-0"



NO DIVING PERMITTED INTO THIS POOL

The bottom configuration shown conforms with current ISPSC & ANSI / APSP / ICC suggested minimum standards for pools **NOT** approved for diving.

WARNING:

Swimming pools can be dangerous if used improperly. Consult your dealer for information on safe use. It's the responsibility of town officials, builders and homeowners to follow safety recommendations of APSP/ANSI, local ordinances & equipment manufacturers.

All work not specifically shown here is to be done in accordance with the requirements of the 2024 INTERNATIONAL SWIMMING POOL & SPA CODE, APSP/ANSI/ICC-5 2011 STANDARDS FOR RESIDENTIAL INGROUND SWIMMING POOLS, and all other local building codes.

Construction Drawing: Different methods and precautions may be dictated by various ground conditions. This is to be determined by and is the responsibility of the contractor who is not an agent of the manufacturer.

Depth and shape of the pool meet minimum standards of the 2024 INTERNATIONAL SWIMMING POOL & SPA CODE and the APSP/ANSI/ICC-5 2011 STANDARDS FOR RESIDENTIAL INGROUND SWIMMING POOLS.

A means of entry & exit for the deep end & shallow end of the pool must be provided in accordance with 2024 INTERNATIONAL SWIMMING POOL & SPA CODE, section 809.

Equipotential bonding must be provided in accordance with the NATIONAL ELECTRIC CODE, NFPA 70.

3' wide, 3" thick concrete deck is to be poured at a slope of 1/4" to 1' away from the pool. NO DIVING labels are to be installed around the perimeter of the pool.

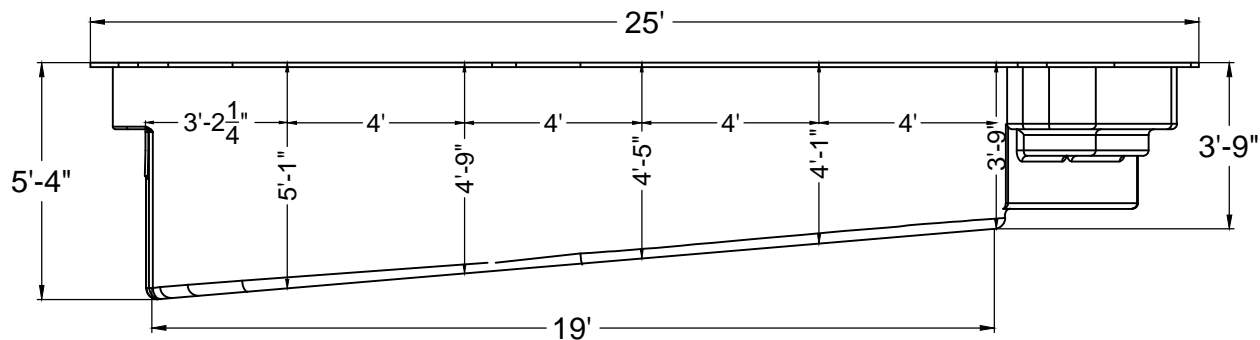
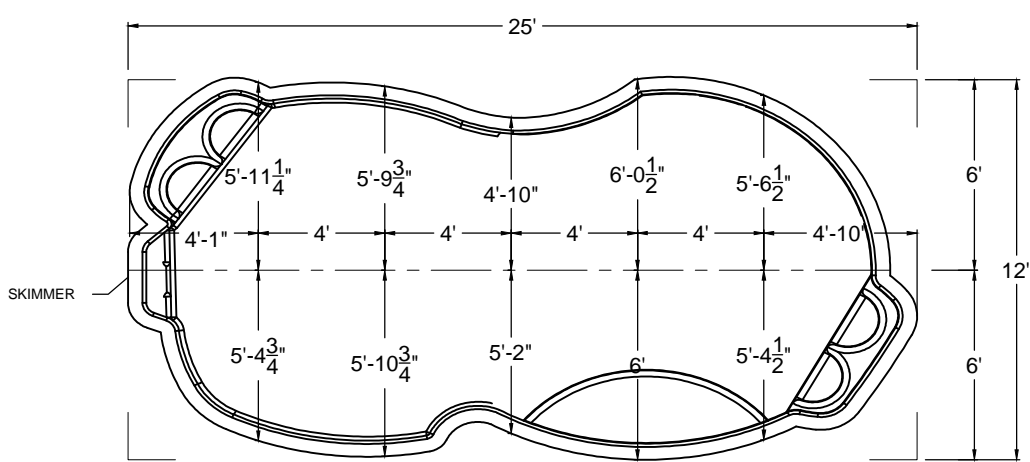
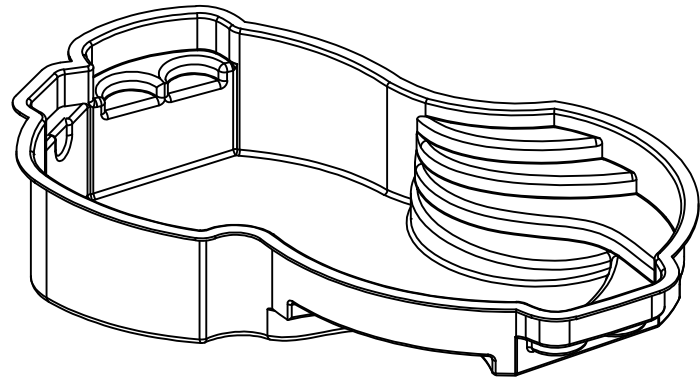
A safety line, with buoys, is to be permanently attached 1'0" to the shallow side of the point of first slope change.

Suction entrapment avoidance to be installed in accordance with APSP/ANSI/ICC-7 Pool Coping/Deck is within 12" of the designated waterline, this satisfies requirement for handholds per ISPSC 2024 SECTION 323.1.

Fort Plain Fiberglass Pools, LLC is the manufacturer of Blue Anchor pool shells. Fort Plain distributes its products through unaffiliated distributors and contractors. Therefore, as such, Imperial Pools, Inc. is not responsible for errors or omissions, all specifications, measurements, and pool information is provided by Fort Plain Fiberglass Pools. Imperial Pools, Inc./Blue Anchor Pools brand is not responsible for the installation of its Blue Anchor Pools and does not have control over the workmanship or installation standards of independent contractors. Blue Anchor Pools are intended for residential use only.

South Beach

SIZE	12' x 25'
DEPTH	5'-4"
PERIMETER	65'-5 3/4"
AREA	252.99 SQ FT
VOLUME	6,500 Gal.
OVERDIG	1'-0"



NO DIVING PERMITTED INTO THIS POOL

The bottom configuration shown conforms with current ISPS & ANSI / APSP / ICC suggested minimum standards for pools **NOT** approved for diving.

WARNING:

Swimming pools can be dangerous if used improperly. Consult your dealer for information on safe use. It's the responsibility of town officials, builders and homeowners to follow safety recommendations of APSP/ANSI, local ordinances & equipment manufacturers.

All work not specifically shown here is to be done in accordance with the requirements of the 2024 INTERNATIONAL SWIMMING POOL & SPA CODE, APSP/ANSI/ICC-5 2011 STANDARDS FOR RESIDENTIAL INGROUND SWIMMING POOLS, and all other local building codes.

Construction Drawing: Different methods and precautions may be dictated by various ground conditions. This is to be determined by and is the responsibility of the contractor who is not an agent of the manufacturer.

Depth and shape of the pool meet minimum standards of the 2024 INTERNATIONAL SWIMMING POOL & SPA CODE and the APSP/ANSI/ICC-5 2011 STANDARDS FOR RESIDENTIAL INGROUND SWIMMING POOLS.

A means of entry & exit for the deep end & shallow end of the pool must be provided in accordance with 2024 INTERNATIONAL SWIMMING POOL & SPA CODE, section 809.

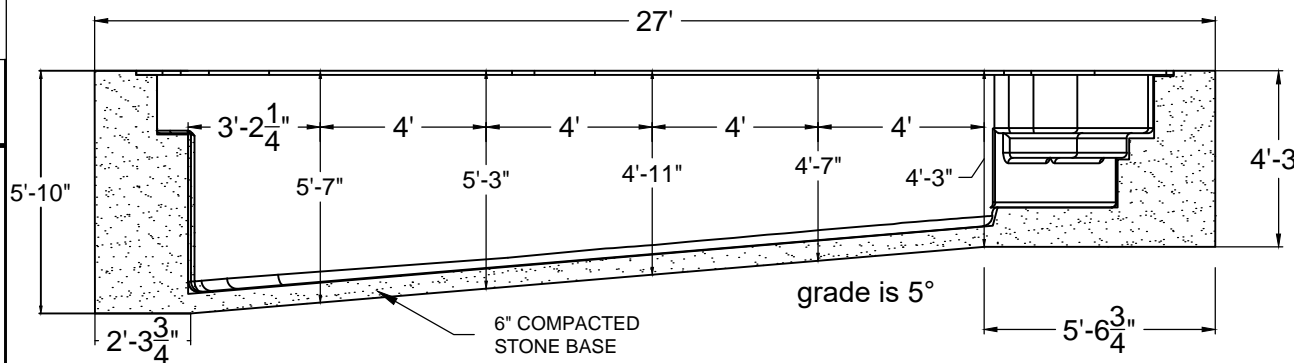
Equipotential bonding must be provided in accordance with the NATIONAL ELECTRIC CODE, NFPA 70.

3' wide, 3" thick concrete deck is to be poured at a slope of 1/4" to 1' away from the pool. NO DIVING labels are to be installed around the perimeter of the pool.

A safety line, with buoys, is to be permanently attached 1'0" to the shallow side of the point of first slope change.

Suction entrapment avoidance to be installed in accordance with APSP/ANSI/ICC-7

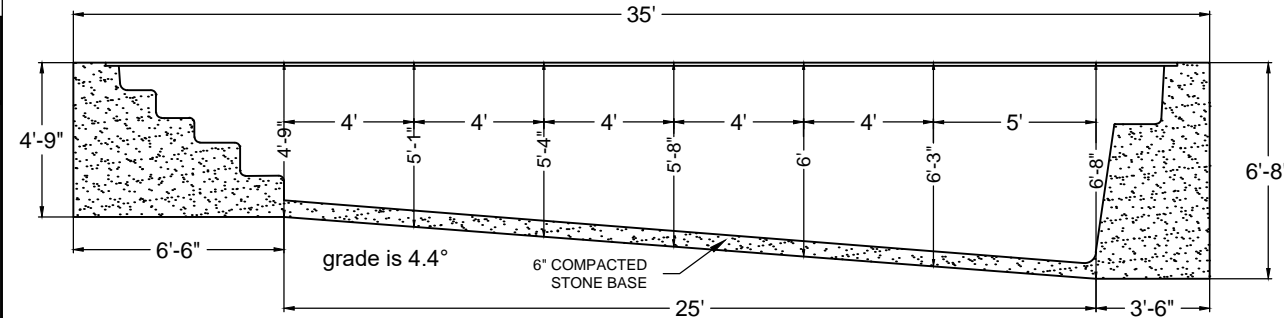
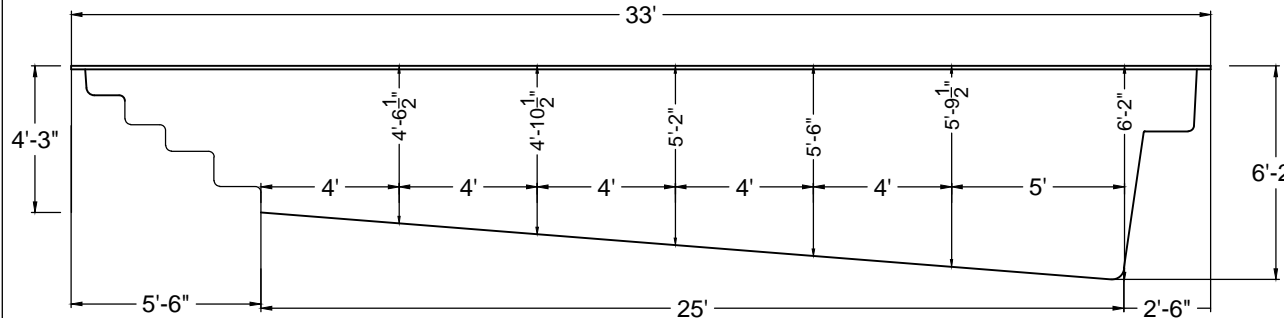
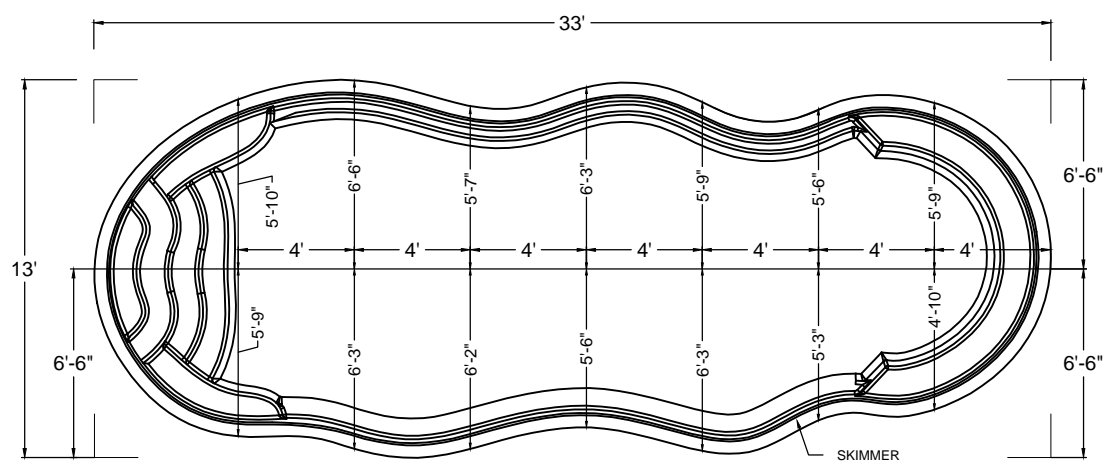
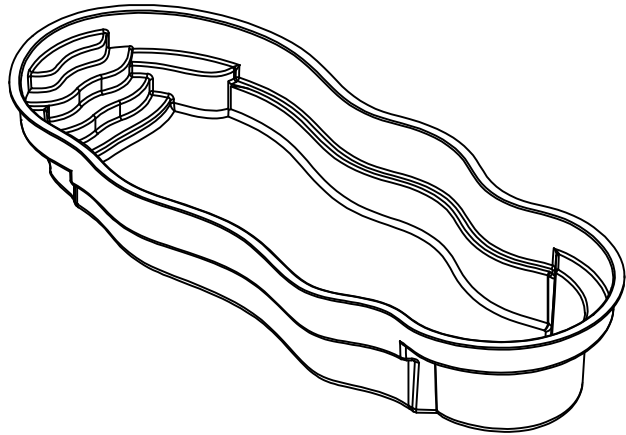
Pool Coping/Deck is within 12" of the designated waterline, this satisfies requirement for handholds per ISPS 2024 SECTION 323.1.



Fort Plain Fiberglass Pools, LLC is the manufacturer of Blue Anchor pool shells. Fort Plain distributes its products through unaffiliated distributors and contractors. Therefore, as such, Imperial Pools, Inc. is not responsible for errors or omissions, all specifications, measurements, and pool information is provided by Fort Plain Fiberglass Pools. Imperial Pools, Inc./Blue Anchor Pools brand is not responsible for the installation of its Blue Anchor Pools and does not have control over the workmanship or installation standards of independent contractors. Blue Anchor Pools are intended for residential use only.

Del Ray

SIZE	13'-0" x 33'-0"
DEPTH	6'-2"
PERIMETER	80'-1"
AREA	355.44 SQ FT
VOLUME	11,000 Gal.
OVERDIG	1'-0"



NO DIVING PERMITTED INTO THIS POOL

The bottom configuration shown conforms with current ISPSC & ANSI / APSP / ICC suggested minimum standards for pools **NOT** approved for diving.

WARNING:

Swimming pools can be dangerous if used improperly. Consult your dealer for information on safe use. It's the responsibility of town officials, builders and homeowners to follow safety recommendations of APSP/ANSI, local ordinances & equipment manufacturers.

All work not specifically shown here is to be done in accordance with the requirements of the 2024 INTERNATIONAL SWIMMING POOL & SPA CODE, APSP/ANSI/ICC-5 2011 STANDARDS FOR RESIDENTIAL INGROUND SWIMMING POOLS, and all other local building codes.

Construction Drawing: Different methods and precautions may be dictated by various ground conditions. This is to be determined by and is the responsibility of the contractor who is not an agent of the manufacturer. Depth and shape of the pool meet minimum standards of the 2024 INTERNATIONAL SWIMMING POOL & SPA CODE and the APSP/ANSI/ICC-5 2011 STANDARDS FOR RESIDENTIAL INGROUND SWIMMING POOLS.

A means of entry & exit for the deep end & shallow end of the pool must be provided in accordance with 2024 INTERNATIONAL SWIMMING POOL & SPA CODE, section 809.

Equipotential bonding must be provided in accordance with the NATIONAL ELECTRIC CODE, NFPA 70.

3' wide, 3" thick concrete deck is to be poured at a slope of 1/4" to 1' away from the pool. NO DIVING labels are to be installed around the perimeter of the pool.

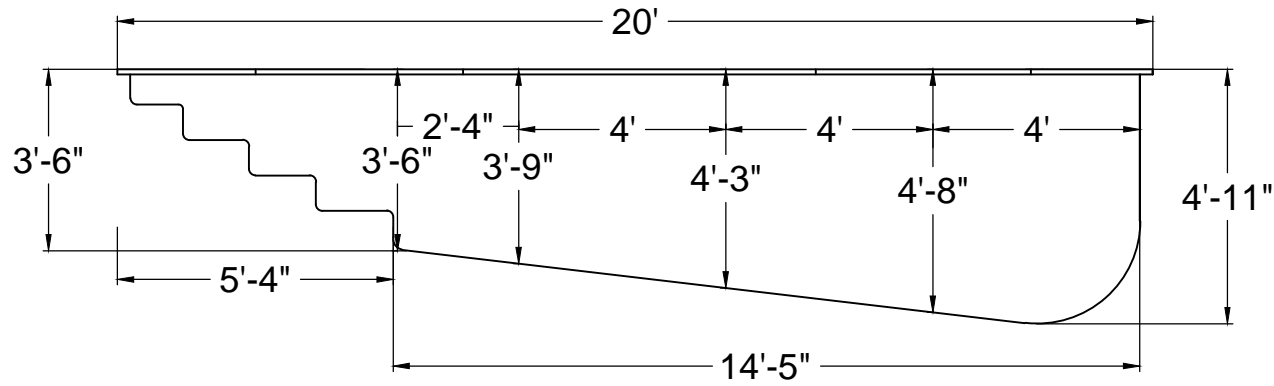
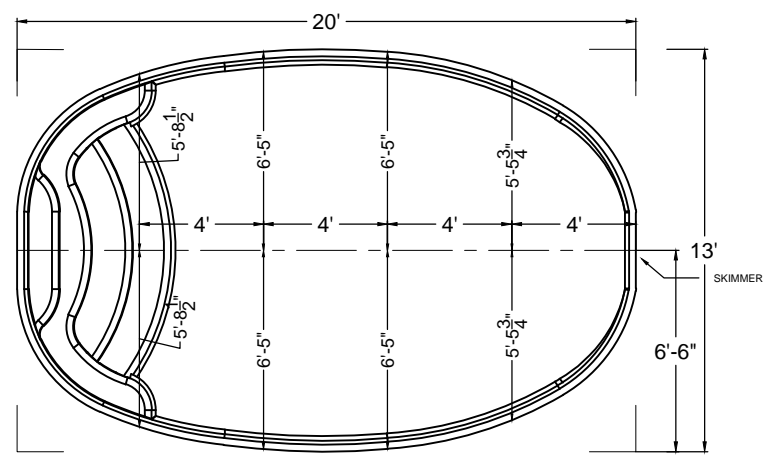
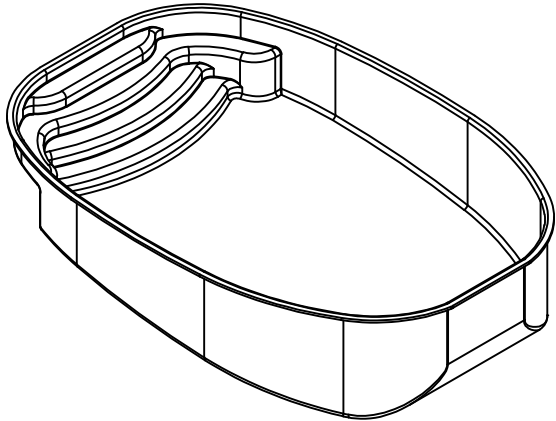
A safety line, with buoys, is to be permanently attached 1'0" to the shallow side of the point of first slope change.

Suction entrapment avoidance to be installed in accordance with APSP/ANSI/ICC-7 Pool Coping/Deck is within 12" of the designated waterline, this satisfies requirement for handholds per ISPSC 2024 SECTION 323.1.

Fort Plain Fiberglass Pools, LLC is the manufacturer of Blue Anchor pool shells. Fort Plain distributes its products through unaffiliated distributors and contractors. Therefore, as such, Imperial Pools, Inc. is not responsible for errors or omissions, all specifications, measurements, and pool information is provided by Fort Plain Fiberglass Pools. Imperial Pools, Inc./Blue Anchor Pools brand is not responsible for the installation of its Blue Anchor Pools and does not have control over the workmanship or installation standards of independent contractors. Blue Anchor Pools are intended for residential use only.

Henderson

SIZE	13' x 20'
DEPTH	4'-11"
PERIMETER	54'-7"
AREA	219.14 SQ FT
VOLUME	5,000 Gal.
OVERDIG	1'-0"



NO DIVING PERMITTED INTO THIS POOL

The bottom configuration shown conforms with current ISPSC & ANSI / APSP / ICC suggested minimum standards for pools **NOT** approved for diving.

WARNING:

Swimming pools can be dangerous if used improperly. Consult your dealer for information on safe use. It's the responsibility of town officials, builders and homeowners to follow safety recommendations of APSP/ANSI, local ordinances & equipment manufacturers.

All work not specifically shown here is to be done in accordance with the requirements of the 2024 INTERNATIONAL SWIMMING POOL & SPA CODE, APSP/ANSI/ICC-5 2011 STANDARDS FOR RESIDENTIAL INGROUND SWIMMING POOLS, and all other local building codes.

Construction Drawing: Different methods and precautions may be dictated by various ground conditions. This is to be determined by and is the responsibility of the contractor who is not an agent of the manufacturer.

Depth and shape of the pool meet minimum standards of the 2024 INTERNATIONAL SWIMMING POOL & SPA CODE and the APSP/ANSI/ICC-5 2011 STANDARDS FOR RESIDENTIAL INGROUND SWIMMING POOLS.

A means of entry & exit for the deep end & shallow end of the pool must be provided in accordance with 2024 INTERNATIONAL SWIMMING POOL & SPA CODE, section 809.

Equipment bonding must be provided in accordance with the NATIONAL ELECTRIC CODE, NFPA 70.

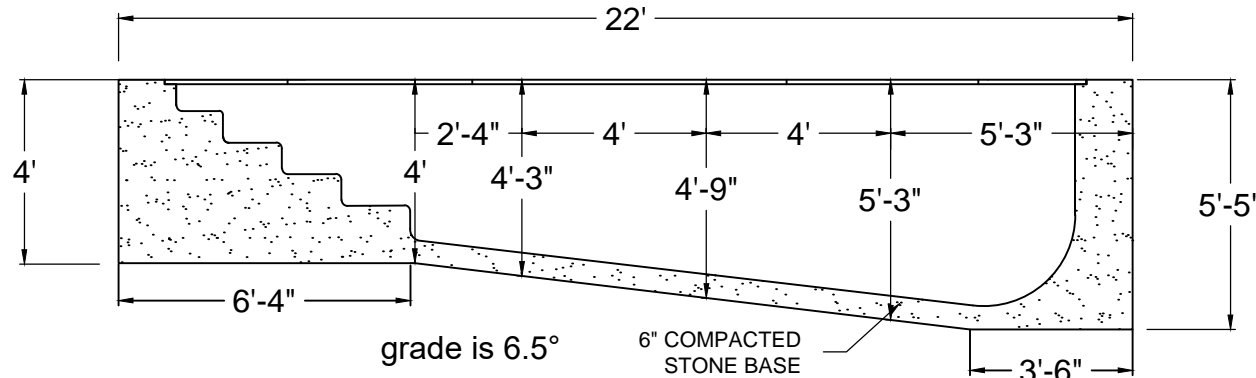
3' wide, 3" thick concrete deck is to be poured at a slope of 1/4" to 1' away from the pool.

NO DIVING labels are to be installed around the perimeter of the pool.

A safety line, with buoys, is to be permanently attached 1'0" to the shallow side of the point of first slope change.

Suction entrapment avoidance to be installed in accordance with APSP/ANSI/ICC-7

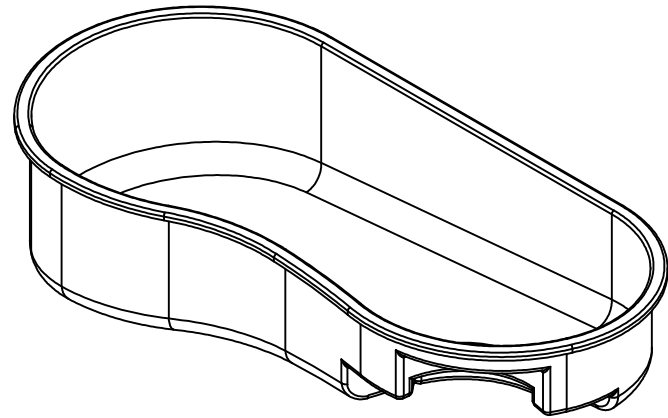
Pool Coping/Deck is within 12" of the designated waterline, this satisfies requirement for handholds per ISPSC 2024 SECTION 323.1.



Fort Plain Fiberglass Pools, LLC is the manufacturer of Blue Anchor pool shells. Fort Plain distributes its products through unaffiliated distributors and contractors. Therefore, as such, Imperial Pools, Inc. is not responsible for errors or omissions, all specifications, measurements, and pool information is provided by Fort Plain Fiberglass Pools. Imperial Pools, Inc./Blue Anchor Pools brand is not responsible for the installation of its Blue Anchor Pools and does not have control over the workmanship or installation standards of independent contractors. Blue Anchor Pools are intended for residential use only.

Venice

SIZE	10' x 20'
DEPTH	5'-0"
PERIMETER	50'-9 1/4"
AREA	163.38 SQ FT
VOLUME	3,000 Gal.
OVERDIG	1'-0"



NO DIVING PERMITTED INTO THIS POOL

The bottom configuration shown conforms with current ISPSC & ANSI / APSP / ICC suggested minimum standards for pools **NOT** approved for diving.

WARNING:

Swimming pools can be dangerous if used improperly. Consult your dealer for information on safe use. It's the responsibility of town officials, builders and homeowners to follow safety recommendations of APSP/ANSI, local ordinances & equipment manufacturers.

All work not specifically shown here is to be done in accordance with the requirements of the 2024 INTERNATIONAL SWIMMING POOL & SPA CODE, APSP/ANSI/ICC-5 2011 STANDARDS FOR RESIDENTIAL INGROUND SWIMMING POOLS, and all other local building codes.

Construction Drawing: Different methods and precautions may be dictated by various ground conditions. This is to be determined by and is the responsibility of the contractor who is not an agent of the manufacturer.

Depth and shape of the pool meet minimum standards of the 2024 INTERNATIONAL SWIMMING POOL & SPA CODE and the APSP/ANSI/ICC-5 2011 STANDARDS FOR RESIDENTIAL INGROUND SWIMMING POOLS.

A means of entry & exit for the deep end & shallow end of the pool must be provided in accordance with 2024 INTERNATIONAL SWIMMING POOL & SPA CODE, section 809.

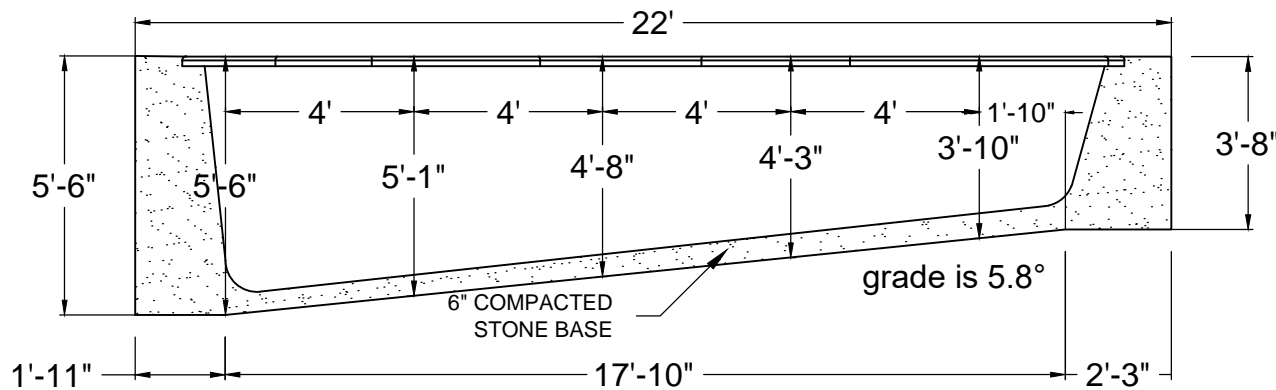
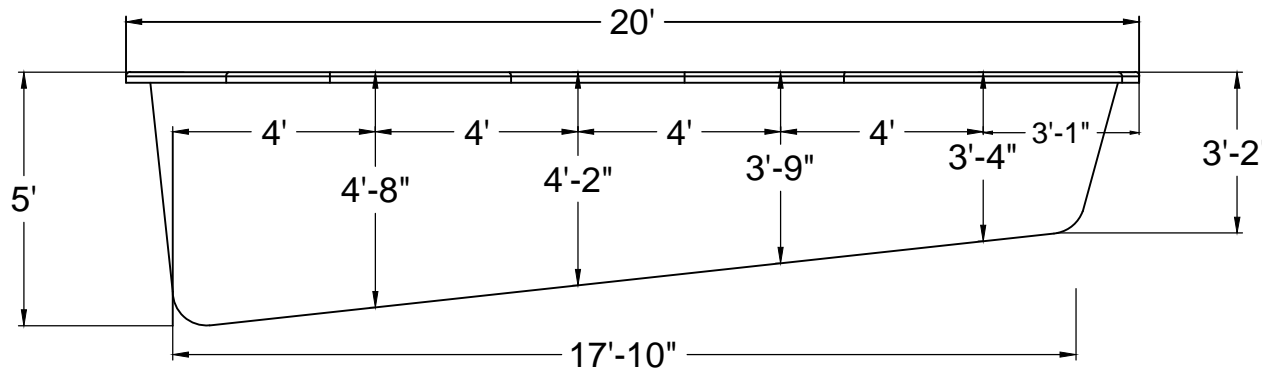
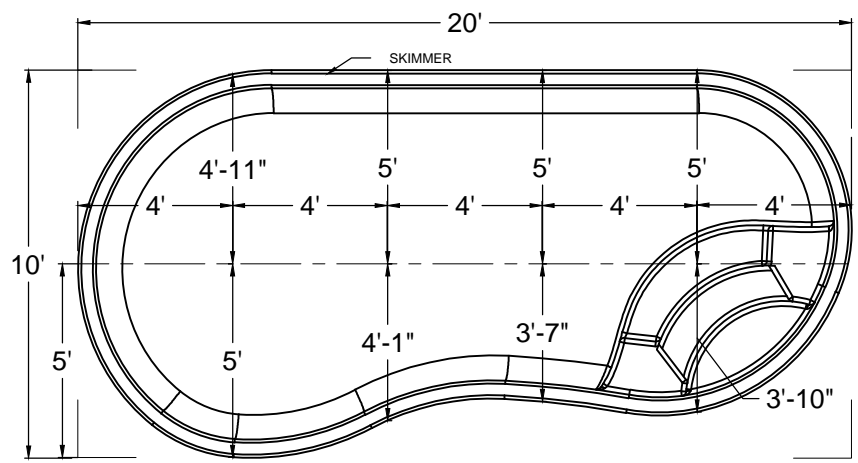
Equipotential bonding must be provided in accordance with the NATIONAL ELECTRIC CODE, NFPA 70.

3' wide, 3" thick concrete deck is to be poured at a slope of 1/4" to 1' away from the pool. NO DIVING labels are to be installed around the perimeter of the pool.

A safety line, with buoys, is to be permanently attached 1'0" to the shallow side of the point of first slope change.

Suction entrapment avoidance to be installed in accordance with APSP/ANSI/ICC-7

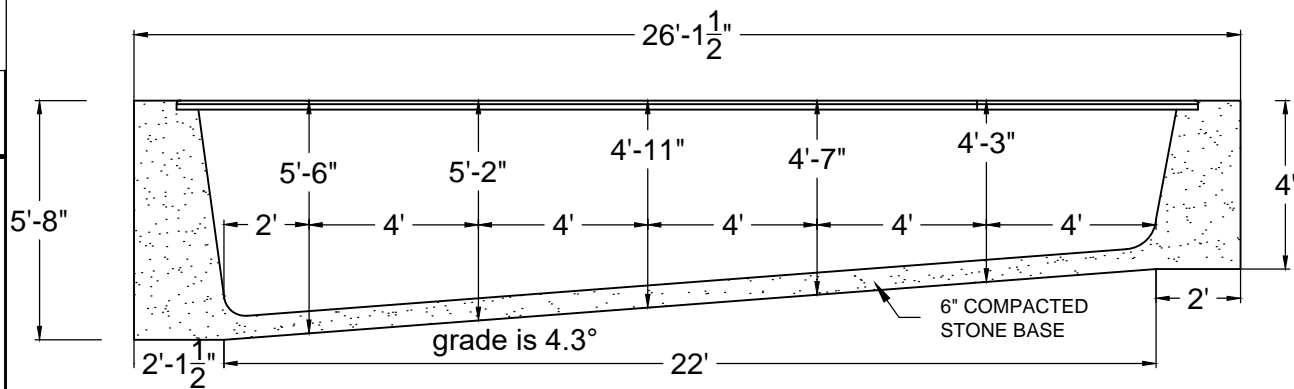
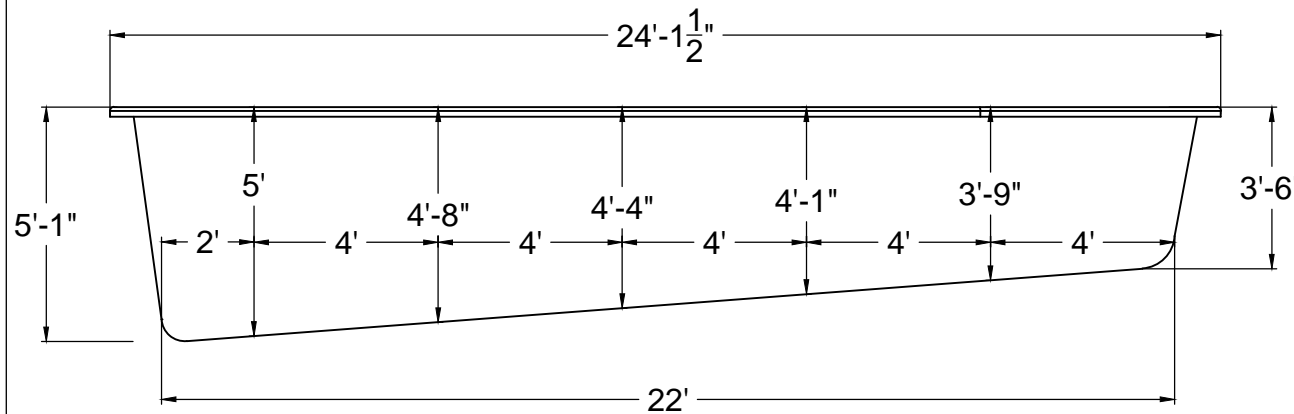
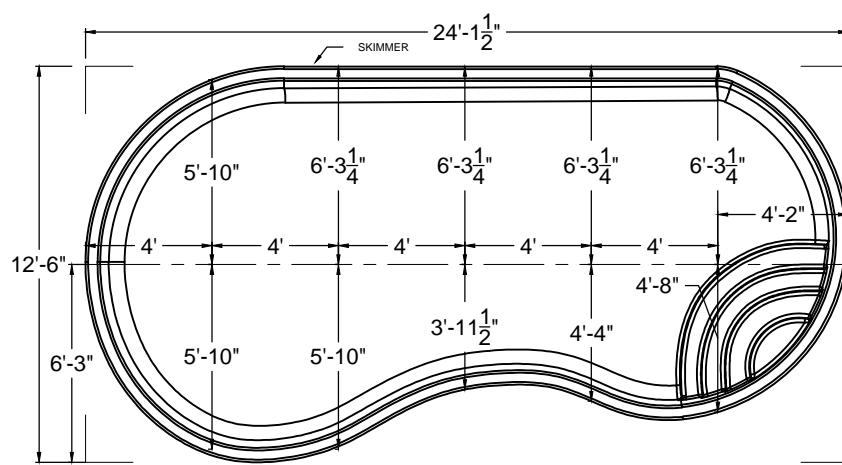
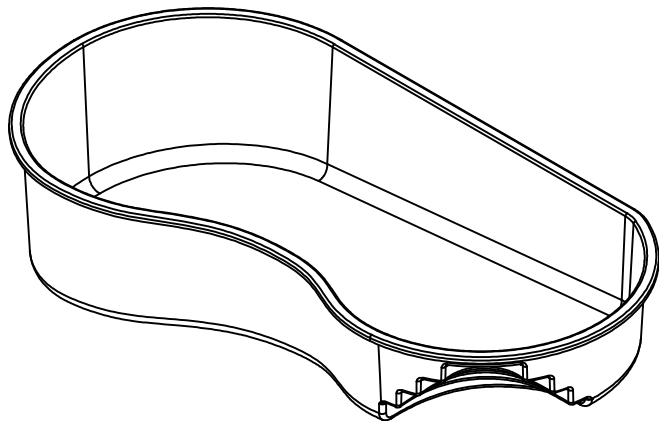
Pool Coping/Deck is within 12" of the designated waterline, this satisfies requirement for handholds per ISPSC 2024 SECTION 323.1.



Fort Plain Fiberglass Pools, LLC is the manufacturer of Blue Anchor pool shells. Fort Plain distributes its products through unaffiliated distributors and contractors. Therefore, as such, Imperial Pools, Inc. is not responsible for errors or omissions, all specifications, measurements, and pool information is provided by Fort Plain Fiberglass Pools. Imperial Pools, Inc./Blue Anchor Pools brand is not responsible for the installation of its Blue Anchor Pools and does not have control over the workmanship or installation standards of independent contractors. Blue Anchor Pools are intended for residential use only.

Destin

SIZE	12'6" x 24'1 1/2"
DEPTH	5'-1"
PERIMETER	62'-10 3/4"
AREA	247.15 SQ FT
VOLUME	6,000 Gal.
OVERDIG	1'-0"



NO DIVING PERMITTED INTO THIS POOL

The bottom configuration shown conforms with current ISPSC & ANSI / APSP / ICC suggested minimum standards for pools **NOT** approved for diving.

WARNING:

Swimming pools can be dangerous if used improperly. Consult your dealer for information on safe use. It's the responsibility of town officials, builders and homeowners to follow safety recommendations of APSP/ANSI, local ordinances & equipment manufacturers.

All work not specifically shown here is to be done in accordance with the requirements of the 2024 INTERNATIONAL SWIMMING POOL & SPA CODE, APSP/ANSI/ICC-5 2011 STANDARDS FOR RESIDENTIAL INGROUND SWIMMING POOLS, and all other local building codes.

Construction Drawing: Different methods and precautions may be dictated by various ground conditions. This is to be determined by and is the responsibility of the contractor who is not an agent of the manufacturer.

Depth and shape of the pool meet minimum standards of the 2024 INTERNATIONAL SWIMMING POOL & SPA CODE and the APSP/ANSI/ICC-5 2011 STANDARDS FOR RESIDENTIAL INGROUND SWIMMING POOLS.

A means of entry & exit for the deep end & shallow end of the pool must be provided in accordance with 2024 INTERNATIONAL SWIMMING POOL & SPA CODE, section 809.

Equipotential bonding must be provided in accordance with the NATIONAL ELECTRIC CODE, NFPA 70.

3' wide, 3" thick concrete deck is to be poured at a slope of 1/4" to 1' away from the pool.

NO DIVING labels are to be installed around the perimeter of the pool.

A safety line, with buoys, is to be permanently attached 1'0" to the shallow side of the point of first slope change.

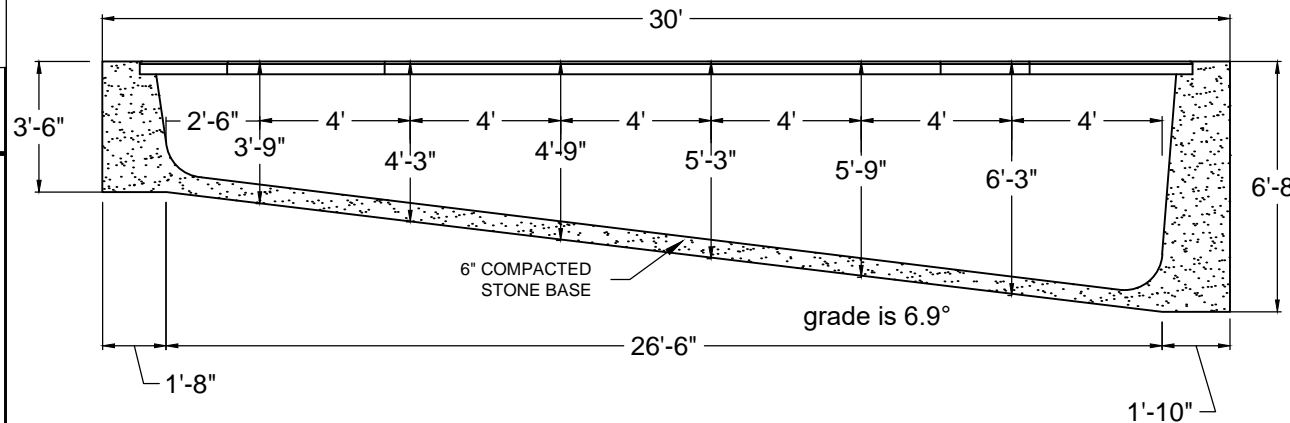
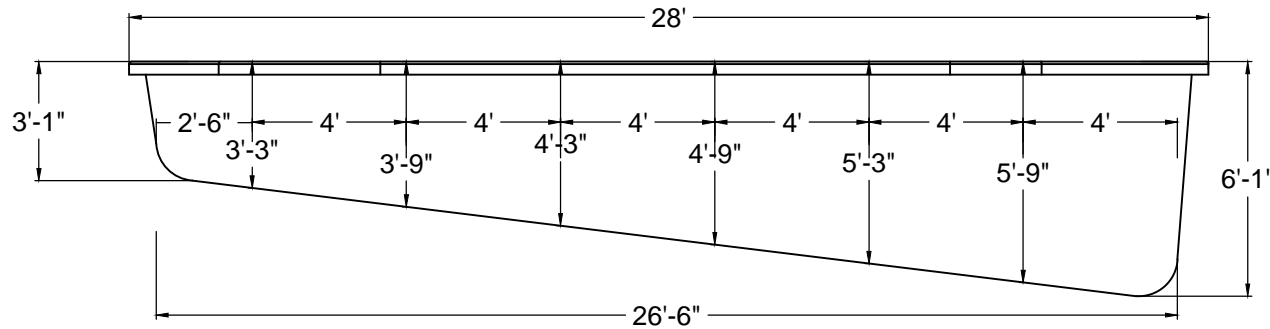
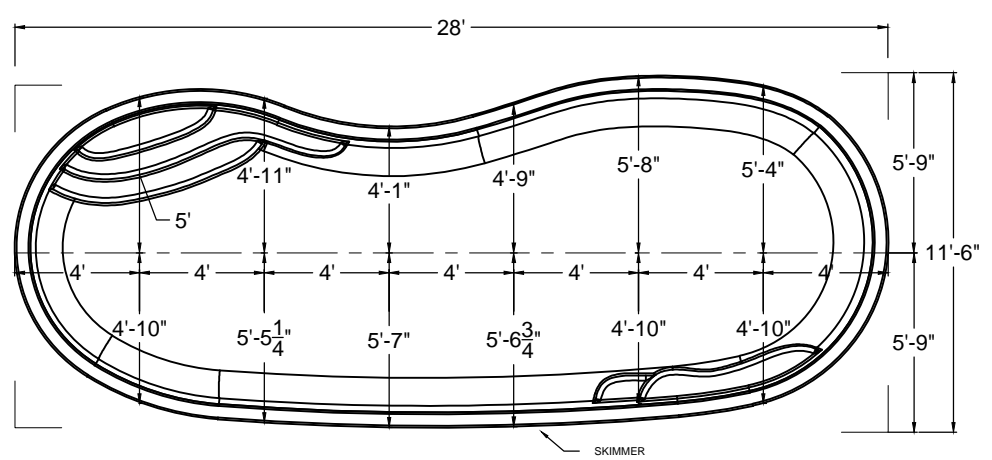
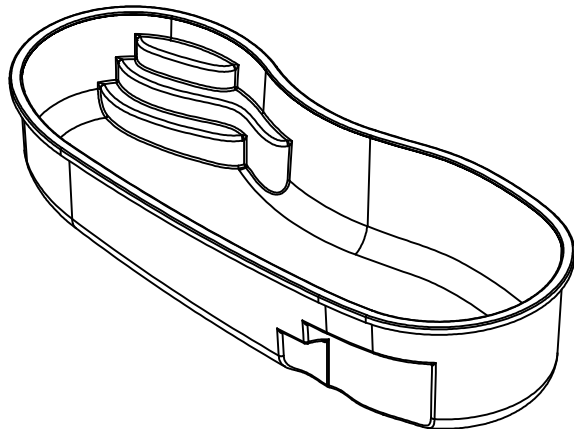
Suction entrapment avoidance to be installed in accordance with APSP/ANSI/ICC-7

Pool Coping/Deck is within 12" of the designated waterline, this satisfies requirement for handholds per ISPSC 2024 SECTION 323.1.

Fort Plain Fiberglass Pools, LLC is the manufacturer of Blue Anchor pool shells. Fort Plain distributes its products through unaffiliated distributors and contractors. Therefore, as such, Imperial Pools, Inc. is not responsible for errors or omissions, all specifications, measurements, and pool information is provided by Fort Plain Fiberglass Pools. Imperial Pools, Inc./Blue Anchor Pools brand is not responsible for the installation of its Blue Anchor Pools and does not have control over the workmanship or installation standards of independent contractors. Blue Anchor Pools are intended for residential use only.

Panama

SIZE	11'-6" x 28'
DEPTH	6'-1"
PERIMETER	68'-1 1/2"
AREA	266.42 SQ FT
VOLUME	6,750 Gal.
OVERDIG	1'-0"



NO DIVING PERMITTED INTO THIS POOL

The bottom configuration shown conforms with current ISPSC & ANSI / APSP / ICC suggested minimum standards for pools **NOT** approved for diving.

WARNING:

Swimming pools can be dangerous if used improperly. Consult your dealer for information on safe use. It's the responsibility of town officials, builders and homeowners to follow safety recommendations of APSP/ANSI, local ordinances & equipment manufacturers.

All work not specifically shown here is to be done in accordance with the requirements of the 2024 INTERNATIONAL SWIMMING POOL & SPA CODE, APSP/ANSI/ICC-5 2011 STANDARDS FOR RESIDENTIAL INGROUND SWIMMING POOLS, and all other local building codes.

Construction Drawing: Different methods and precautions may be dictated by various ground conditions. This is to be determined by and is the responsibility of the contractor who is not an agent of the manufacturer.

Depth and shape of the pool meet minimum standards of the 2024 INTERNATIONAL SWIMMING POOL & SPA CODE and the APSP/ANSI/ICC-5 2011 STANDARDS FOR RESIDENTIAL INGROUND SWIMMING POOLS.

A means of entry & exit for the deep end & shallow end of the pool must be provided in accordance with 2024 INTERNATIONAL SWIMMING POOL & SPA CODE, section 809.

Equipotential bonding must be provided in accordance with the NATIONAL ELECTRIC CODE, NFPA 70.

3' wide, 3" thick concrete deck is to be poured at a slope of 1/4" to 1' away from the pool. NO DIVING labels are to be installed around the perimeter of the pool.

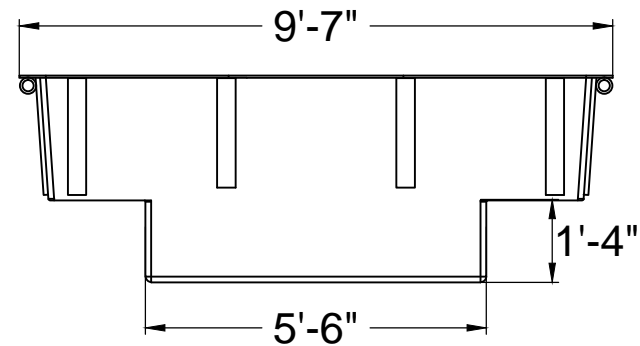
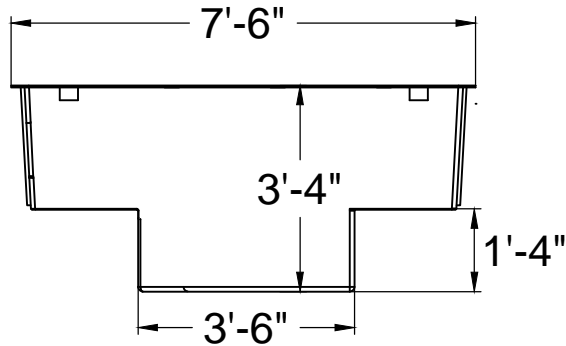
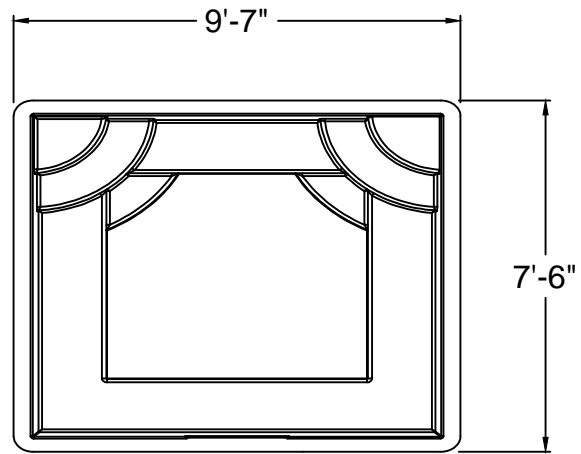
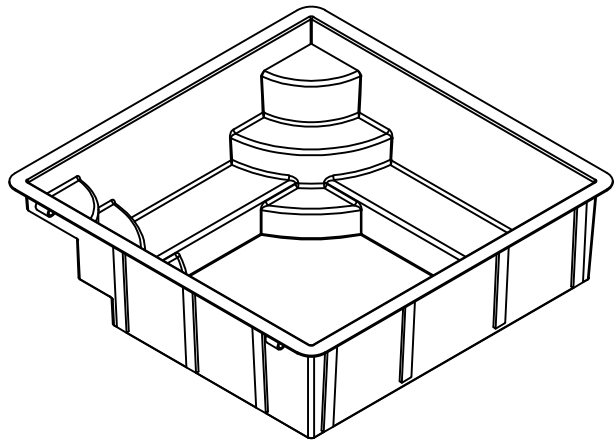
A safety line, with buoys, is to be permanently attached 1'0" to the shallow side of the point of first slope change.

Suction entrapment avoidance to be installed in accordance with APSP/ANSI/ICC-7 Pool Coping/Deck is within 12" of the designated waterline, this satisfies requirement for handholds per ISPSC 2024 SECTION 323.1.

Fort Plain Fiberglass Pools, LLC is the manufacturer of Blue Anchor pool shells. Fort Plain distributes its products through unaffiliated distributors and contractors. Therefore, as such, Imperial Pools, Inc. is not responsible for errors or omissions, all specifications, measurements, and pool information is provided by Fort Plain Fiberglass Pools. Imperial Pools, Inc./Blue Anchor Pools brand is not responsible for the installation of its Blue Anchor Pools and does not have control over the workmanship or installation standards of independent contractors. Blue Anchor Pools are intended for residential use only.

Square Poolside Spa

SIZE	7'-6" x 9'-7"
DEPTH	6'-0"
PERIMETER	33'-8 3/4"
AREA	71.82 SQ FT
VOLUME	750 Gal.
OVERDIG	1'-0"



NO DIVING PERMITTED INTO THIS POOL

The bottom configuration shown conforms with current ISPSC & ANSI / APSP / ICC suggested minimum standards for pools **NOT** approved for diving.

WARNING:

Swimming pools can be dangerous if used improperly. Consult your dealer for information on safe use. It's the responsibility of town officials, builders and homeowners to follow safety recommendations of APSP/ANSI, local ordinances & equipment manufacturers.

All work not specifically shown here is to be done in accordance with the requirements of the 2024 INTERNATIONAL SWIMMING POOL & SPA CODE, APSP/ANSI/ICC-5 2011 STANDARDS FOR RESIDENTIAL INGROUND SWIMMING POOLS, and all other local building codes.

Construction Drawing: Different methods and precautions may be dictated by various ground conditions. This is to be determined by and is the responsibility of the contractor who is not an agent of the manufacturer.

Depth and shape of the pool meet minimum standards of the 2024 INTERNATIONAL SWIMMING POOL & SPA CODE and the APSP/ANSI/ICC-5 2011 STANDARDS FOR RESIDENTIAL INGROUND SWIMMING POOLS.

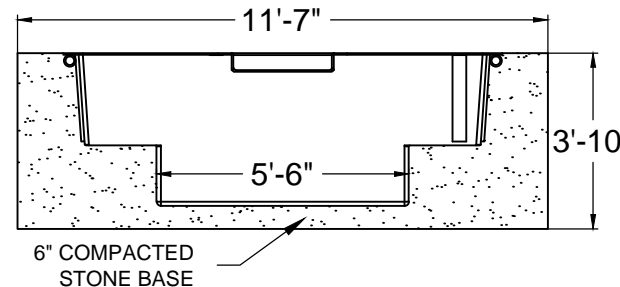
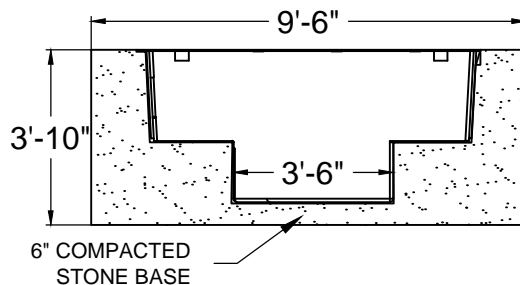
A means of entry & exit for the deep end & shallow end of the pool must be provided in accordance with 2024 INTERNATIONAL SWIMMING POOL & SPA CODE, section 809.

Equipotential bonding must be provided in accordance with the NATIONAL ELECTRIC CODE, NFPA 70.

3' wide, 3" thick concrete deck is to be poured at a slope of 1/4" to 1' away from the pool. NO DIVING labels are to be installed around the perimeter of the pool.

A safety line, with buoys, is to be permanently attached 1'0" to the shallow side of the point of first slope change.

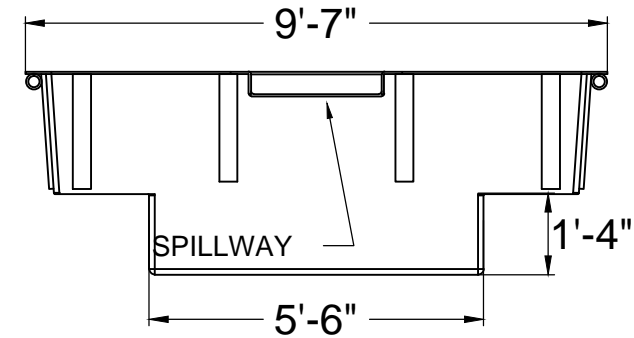
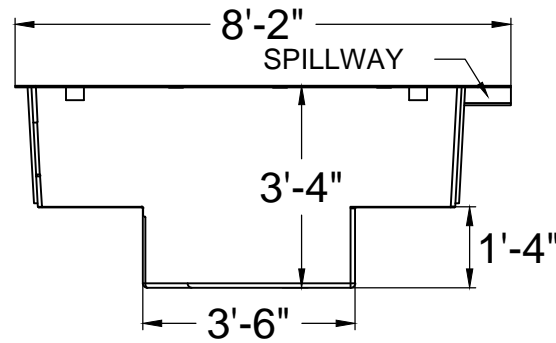
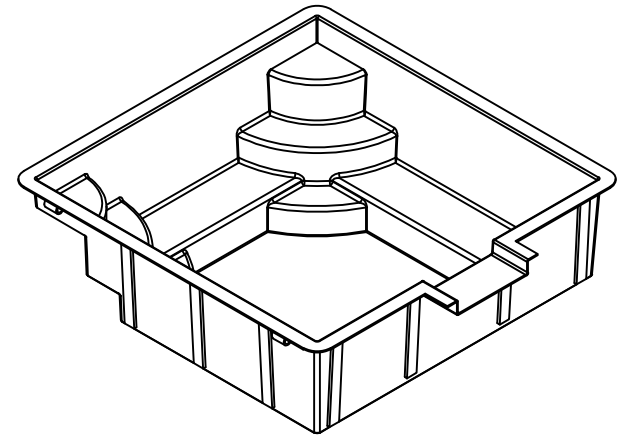
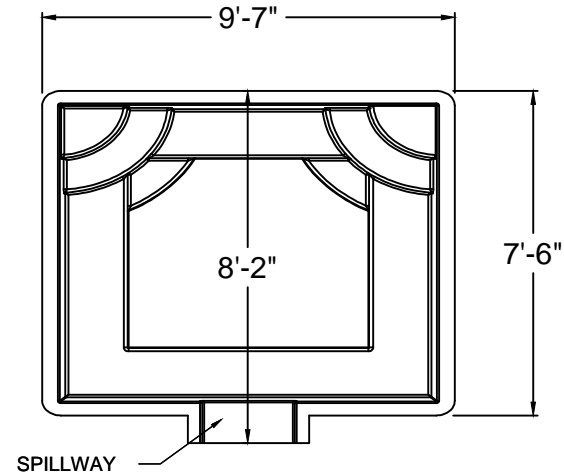
Suction entrapment avoidance to be installed in accordance with APSP/ANSI/ICC-7 Pool Coping/Deck is within 12" of the designated waterline, this satisfies requirement for handholds per ISPSC 2024 SECTION 323.1.



Fort Plain Fiberglass Pools, LLC is the manufacturer of Blue Anchor pool shells. Fort Plain distributes its products through unaffiliated distributors and contractors. Therefore, as such, Imperial Pools, Inc. is not responsible for errors or omissions, all specifications, measurements, and pool information is provided by Fort Plain Fiberglass Pools. Imperial Pools, Inc./Blue Anchor Pools brand is not responsible for the installation of its Blue Anchor Pools and does not have control over the workmanship or installation standards of independent contractors. Blue Anchor Pools are intended for residential use only.

Square Spillover Spa

SIZE	8'-2" x 9'-7"
DEPTH	3'-4"
PERIMETER	34'-9 3/4"
AREA	73.68 SQ FT
VOLUME	750 Gal.
OVERDIG	1'-0"



NO DIVING PERMITTED INTO THIS POOL

The bottom configuration shown conforms with current ISPSC & ANSI / APSP / ICC suggested minimum standards for pools **NOT** approved for diving.

WARNING:

Swimming pools can be dangerous if used improperly. Consult your dealer for information on safe use. It's the responsibility of town officials, builders and homeowners to follow safety recommendations of APSP/ANSI, local ordinances & equipment manufacturers.

All work not specifically shown here is to be done in accordance with the requirements of the 2024 INTERNATIONAL SWIMMING POOL & SPA CODE, APSP/ANSI/ICC-5 2011 STANDARDS FOR RESIDENTIAL INGROUND SWIMMING POOLS, and all other local building codes.

Construction Drawing: Different methods and precautions may be dictated by various ground conditions. This is to be determined by and is the responsibility of the contractor who is not an agent of the manufacturer.

Depth and shape of the pool meet minimum standards of the 2024 INTERNATIONAL SWIMMING POOL & SPA CODE and the APSP/ANSI/ICC-5 2011 STANDARDS FOR RESIDENTIAL INGROUND SWIMMING POOLS.

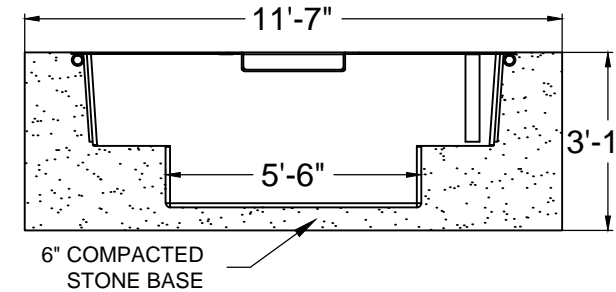
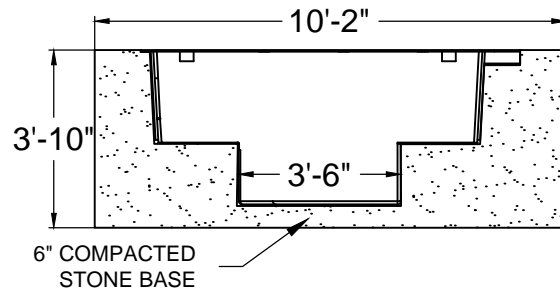
A means of entry & exit for the deep end & shallow end of the pool must be provided in accordance with 2024 INTERNATIONAL SWIMMING POOL & SPA CODE, section 809.

Equipotential bonding must be provided in accordance with the NATIONAL ELECTRIC CODE, NFPA 70.

3' wide, 3" thick concrete deck is to be poured at a slope of 1/4" to 1' away from the pool. NO DIVING labels are to be installed around the perimeter of the pool.

A safety line, with buoys, is to be permanently attached 1'0" to the shallow side of the point of first slope change.

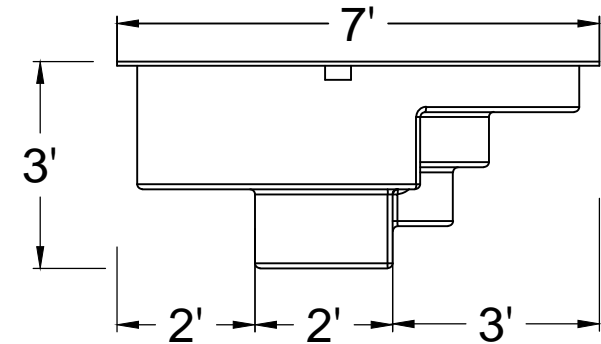
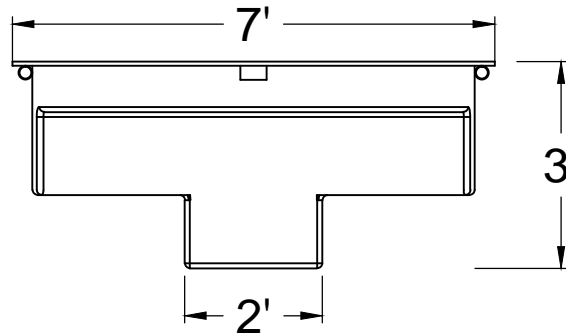
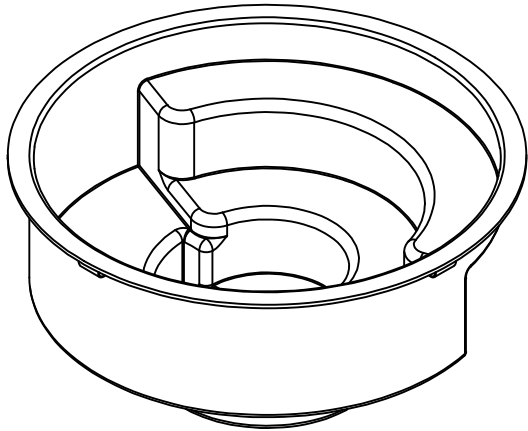
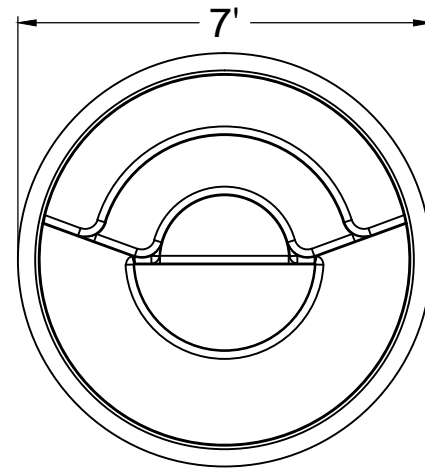
Suction entrapment avoidance to be installed in accordance with APSP/ANSI/ICC-7 Pool Coping/Deck is within 12" of the designated waterline, this satisfies requirement for handholds per ISPSC 2024 SECTION 323.1.



Fort Plain Fiberglass Pools, LLC is the manufacturer of Blue Anchor pool shells. Fort Plain distributes its products through unaffiliated distributors and contractors. Therefore, as such, Imperial Pools, Inc. is not responsible for errors or omissions, all specifications, measurements, and pool information is provided by Fort Plain Fiberglass Pools. Imperial Pools, Inc./Blue Anchor Pools brand is not responsible for the installation of its Blue Anchor Pools and does not have control over the workmanship or installation standards of independent contractors. Blue Anchor Pools are intended for residential use only.

Round Poolside Spa

SIZE	7' x 7'
DEPTH	3'-0"
PERIMETER	22'-0 3/4"
AREA	38.71 SQ FT
VOLUME	600 Gal.
OVERDIG	1'-0"



NO DIVING PERMITTED INTO THIS POOL

The bottom configuration shown conforms with current ISPCS & ANSI / APSP / ICC suggested minimum standards for pools **NOT** approved for diving.

WARNING:

Swimming pools can be dangerous if used improperly. Consult your dealer for information on safe use. It's the responsibility of town officials, builders and homeowners to follow safety recommendations of APSP/ANSI, local ordinances & equipment manufacturers.

All work not specifically shown here is to be done in accordance with the requirements of the 2024 INTERNATIONAL SWIMMING POOL & SPA CODE, APSP/ANSI/ICC-5 2011 STANDARDS FOR RESIDENTIAL INGROUND SWIMMING POOLS, and all other local building codes.

Construction Drawing: Different methods and precautions may be dictated by various ground conditions. This is to be determined by and is the responsibility of the contractor who is not an agent of the manufacturer.

Depth and shape of the pool meet minimum standards of the 2024 INTERNATIONAL SWIMMING POOL & SPA CODE and the APSP/ANSI/ICC-5 2011 STANDARDS FOR RESIDENTIAL INGROUND SWIMMING POOLS.

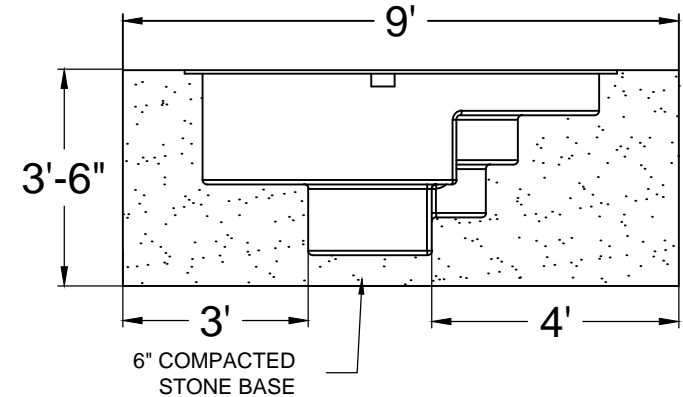
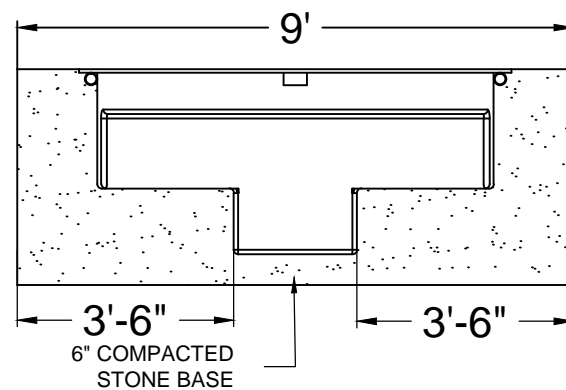
A means of entry & exit for the deep end & shallow end of the pool must be provided in accordance with 2024 INTERNATIONAL SWIMMING POOL & SPA CODE, section 809.

Equipotential bonding must be provided in accordance with the NATIONAL ELECTRIC CODE, NFPA 70.

3' wide, 3" thick concrete deck is to be poured at a slope of 1/4" to 1' away from the pool. NO DIVING labels are to be installed around the perimeter of the pool.

A safety line, with buoys, is to be permanently attached 1'0" to the shallow side of the point of first slope change.

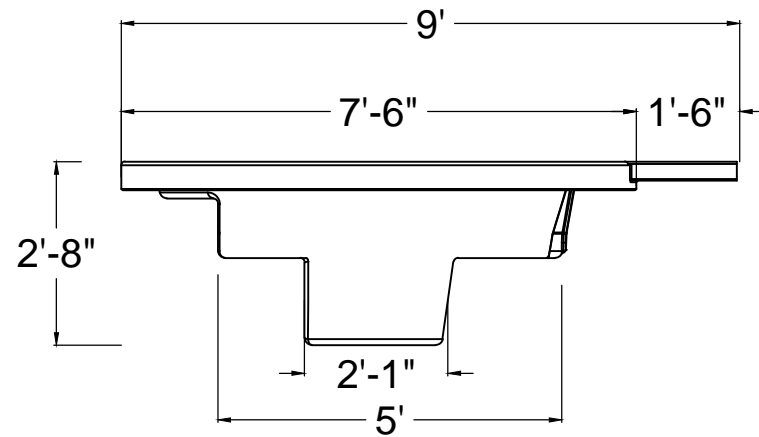
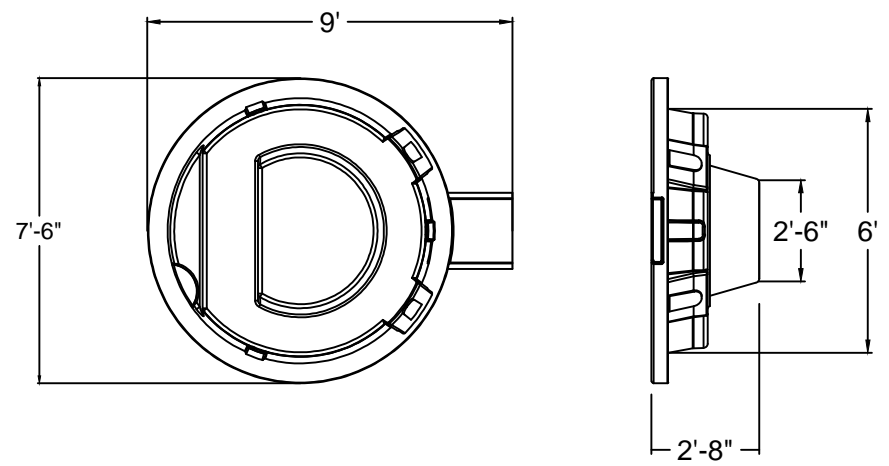
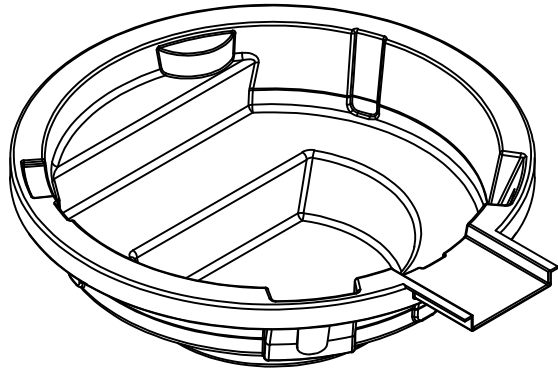
Suction entrapment avoidance to be installed in accordance with APSP/ANSI/ICC-7 Pool Coping/Deck is within 12" of the designated waterline, this satisfies requirement for handholds per ISPCS 2024 SECTION 323.1



Fort Plain Fiberglass Pools, LLC is the manufacturer of Blue Anchor pool shells. Fort Plain distributes its products through unaffiliated distributors and contractors. Therefore, as such, Imperial Pools, Inc. is not responsible for errors or omissions, all specifications, measurements, and pool information is provided by Fort Plain Fiberglass Pools. Imperial Pools, Inc./Blue Anchor Pools brand is not responsible for the installation of its Blue Anchor Pools and does not have control over the workmanship or installation standards of independent contractors. Blue Anchor Pools are intended for residential use only.

Round Spillover Spa

SIZE	7'-6" x 9' (w/spillway)
DEPTH	2'-8"
PERIMETER	26'-9"
AREA	47.04 SQ FT
VOLUME	500 Gal.
OVERDIG	1'-0"



NO DIVING PERMITTED INTO THIS POOL

The bottom configuration shown conforms with current ISPSC & ANSI / APSP / ICC suggested minimum standards for pools **NOT** approved for diving.

WARNING:

Swimming pools can be dangerous if used improperly. Consult your dealer for information on safe use. It's the responsibility of town officials, builders and homeowners to follow safety recommendations of APSP/ANSI, local ordinances & equipment manufacturers.

All work not specifically shown here is to be done in accordance with the requirements of the 2024 INTERNATIONAL SWIMMING POOL & SPA CODE, APSP/ANSI/ICC-5 2011 STANDARDS FOR RESIDENTIAL INGROUND SWIMMING POOLS, and all other local building codes.

Construction Drawing: Different methods and precautions may be dictated by various ground conditions. This is to be determined by and is the responsibility of the contractor who is not an agent of the manufacturer.
Depth and shape of the pool meet minimum standards of the 2024 INTERNATIONAL SWIMMING POOL & SPA CODE and the APSP/ANSI/ICC-5 2011 STANDARDS FOR RESIDENTIAL INGROUND SWIMMING POOLS.

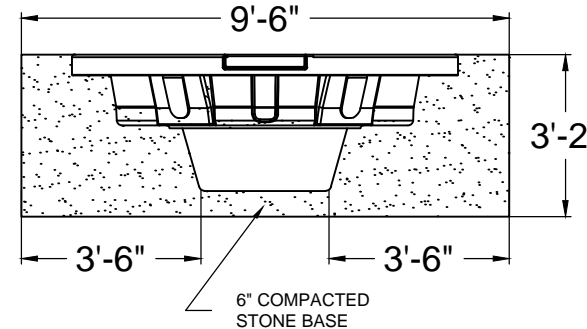
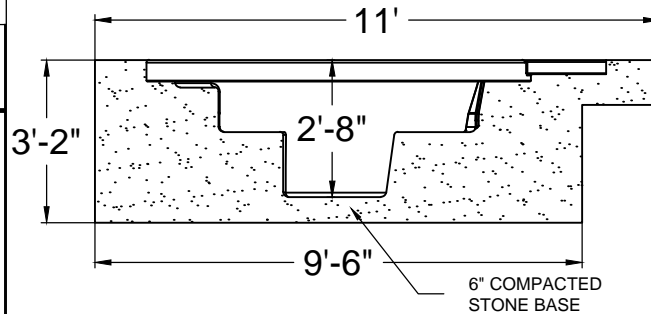
A means of entry & exit for the deep end & shallow end of the pool must be provided in accordance with 2024 INTERNATIONAL SWIMMING POOL & SPA CODE, section 809.

Equipotential bonding must be provided in accordance with the NATIONAL ELECTRIC CODE, NFPA 70.

3' wide, 3" thick concrete deck is to be poured at a slope of 1/4" to 1' away from the pool. NO DIVING labels are to be installed around the perimeter of the pool.

A safety line, with buoys, is to be permanently attached 1'0" to the shallow side of the point of first slope change.

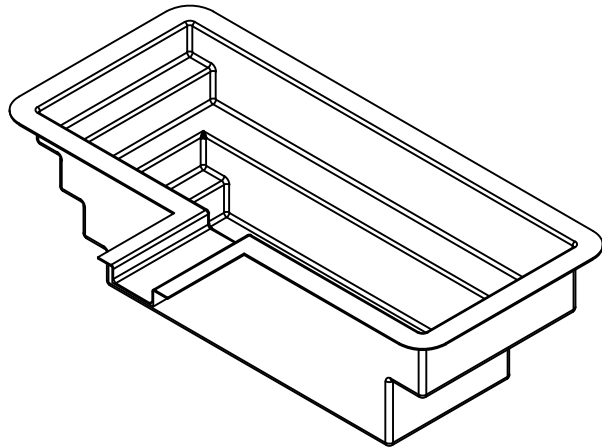
Suction entrapment avoidance to be installed in accordance with APSP/ANSI/ICC-7 Pool Coping/Deck is within 12" of the designated waterline, this satisfies requirement for handholds per ISPSC 2024 SECTION 323.1.



Fort Plain Fiberglass Pools, LLC is the manufacturer of Blue Anchor pool shells. Fort Plain distributes its products through unaffiliated distributors and contractors. Therefore, as such, Imperial Pools, Inc. is not responsible for errors or omissions, all specifications, measurements, and pool information is provided by Fort Plain Fiberglass Pools. Imperial Pools, Inc./Blue Anchor Pools brand is not responsible for the installation of its Blue Anchor Pools and does not have control over the workmanship or installation standards of independent contractors. Blue Anchor Pools are intended for residential use only.

Linear Spillover Spa

SIZE	4'-10" x 10'-0"
DEPTH	3'-1"
PERIMETER	27'-1 3/4"
AREA	39.79 SQ FT
VOLUME	600 Gal.
OVERDIG	1'-0"



NO DIVING PERMITTED INTO THIS POOL

The bottom configuration shown conforms with current ISPSC & ANSI / APSP / ICC suggested minimum standards for pools **NOT** approved for diving.

WARNING:

Swimming pools can be dangerous if used improperly. Consult your dealer for information on safe use. It's the responsibility of town officials, builders and homeowners to follow safety recommendations of APSP/ANSI, local ordinances & equipment manufacturers.

All work not specifically shown here is to be done in accordance with the requirements of the 2024 INTERNATIONAL SWIMMING POOL & SPA CODE, APSP/ANSI/ICC-5 2011 STANDARDS FOR RESIDENTIAL INGROUND SWIMMING POOLS, and all other local building codes.

Construction Drawing: Different methods and precautions may be dictated by various ground conditions. This is to be determined by and is the responsibility of the contractor who is not an agent of the manufacturer.

Depth and shape of the pool meet minimum standards of the 2024 INTERNATIONAL SWIMMING POOL & SPA CODE and the APSP/ANSI/ICC-5 2011 STANDARDS FOR RESIDENTIAL INGROUND SWIMMING POOLS.

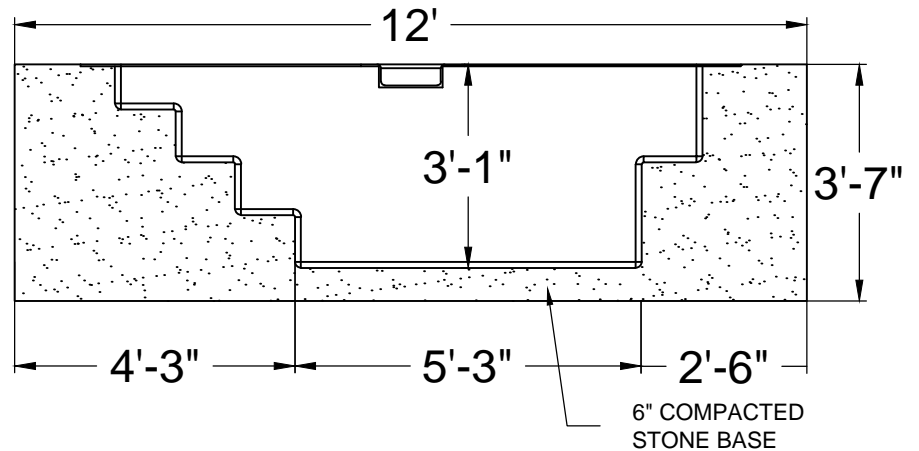
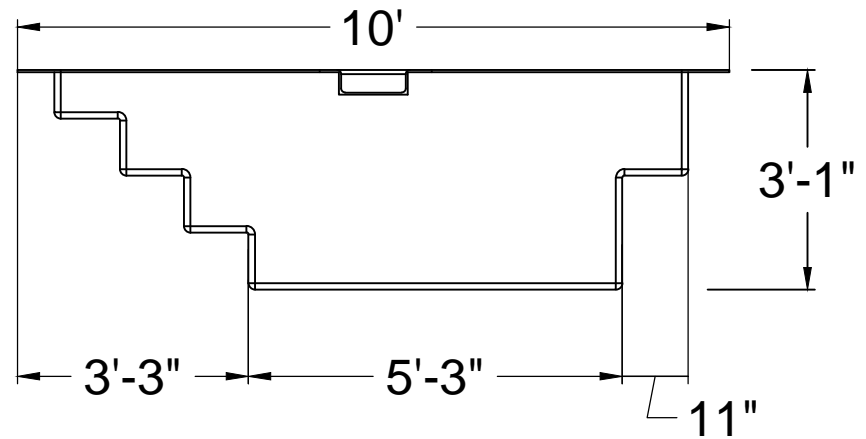
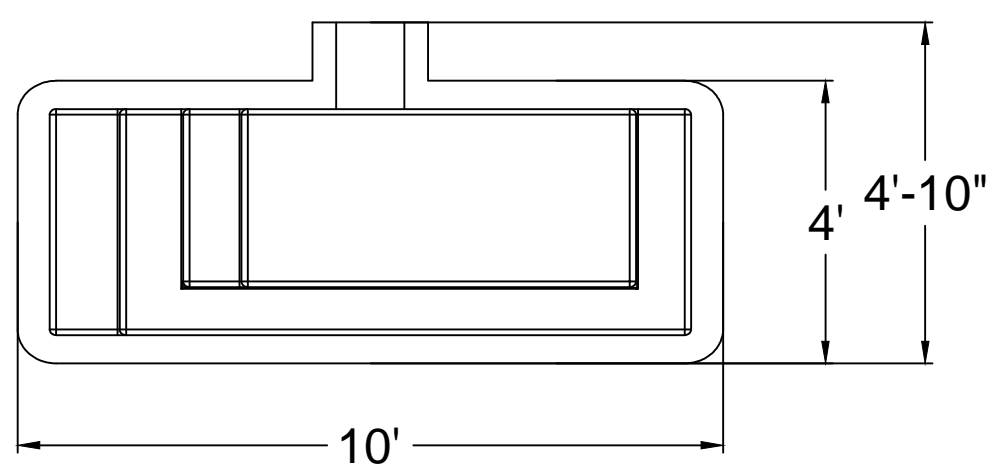
A means of entry & exit for the deep end & shallow end of the pool must be provided in accordance with 2024 INTERNATIONAL SWIMMING POOL & SPA CODE, section 809.

Equipment bonding must be provided in accordance with the NATIONAL ELECTRIC CODE, NFPA 70.

3' wide, 3" thick concrete deck is to be poured at a slope of 1/4" to 1' away from the pool. NO DIVING labels are to be installed around the perimeter of the pool.

A safety line, with buoys, is to be permanently attached 1'0" to the shallow side of the point of first slope change.

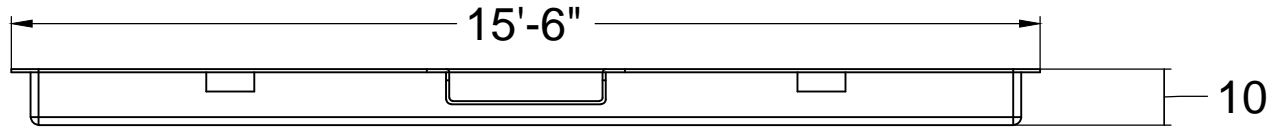
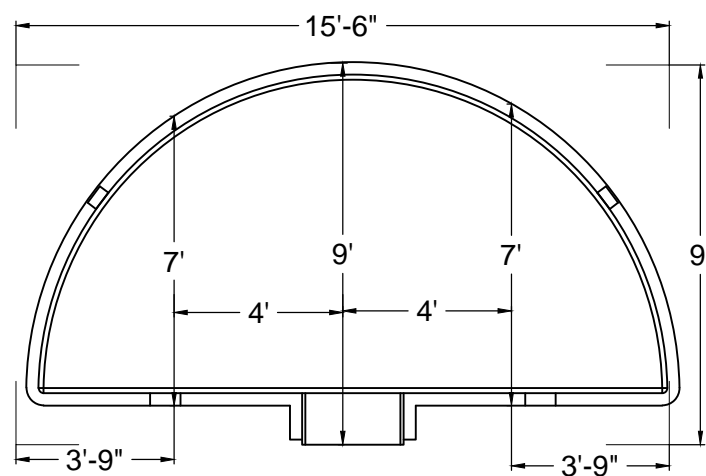
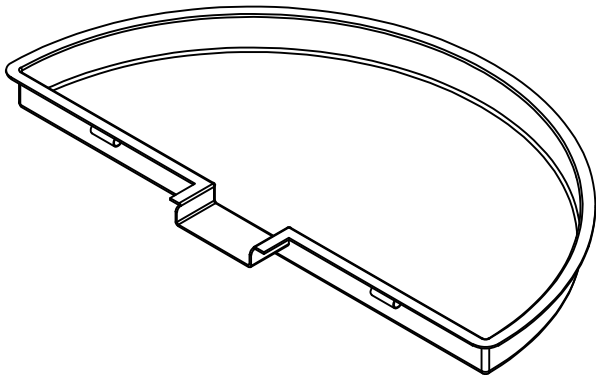
Suction entrapment avoidance to be installed in accordance with APSP/ANSI/ICC-7 Pool Coping/Deck is within 12" of the designated waterline, this satisfies requirement for handholds per ISPSC 2024 SECTION 323.1.



Fort Plain Fiberglass Pools, LLC is the manufacturer of Blue Anchor pool shells. Fort Plain distributes its products through unaffiliated distributors and contractors. Therefore, as such, Imperial Pools, Inc. is not responsible for errors or omissions, all specifications, measurements, and pool information is provided by Fort Plain Fiberglass Pools. Imperial Pools, Inc./Blue Anchor Pools brand is not responsible for the installation of its Blue Anchor Pools and does not have control over the workmanship or installation standards of independent contractors. Blue Anchor Pools are intended for residential use only.

Tanning Ledge

SIZE	9'x15'6"
DEPTH	0'-10"
PERIMETER	41'-9 1/4"
AREA	101.88 SQ FT
VOLUME	500 Gal.
OVERDIG	1'-0"



NO DIVING PERMITTED INTO THIS POOL

The bottom configuration shown conforms with current ISPSC & ANSI / APSP / ICC suggested minimum standards for pools **NOT** approved for diving.

WARNING:

Swimming pools can be dangerous if used improperly. Consult your dealer for information on safe use. It's the responsibility of town officials, builders and homeowners to follow safety recommendations of APSP/ANSI, local ordinances & equipment manufacturers.

All work not specifically shown here is to be done in accordance with the requirements of the 2024 INTERNATIONAL SWIMMING POOL & SPA CODE, APSP/ANSI/ICC-5 2011 STANDARDS FOR RESIDENTIAL INGROUND SWIMMING POOLS, and all other local building codes.

Construction Drawing: Different methods and precautions may be dictated by various ground conditions. This is to be determined by and is the responsibility of the contractor who is not an agent of the manufacturer.
Depth and shape of the pool meet minimum standards of the 2024 INTERNATIONAL SWIMMING POOL & SPA CODE and the APSP/ANSI/ICC-5 2011 STANDARDS FOR RESIDENTIAL INGROUND SWIMMING POOLS.

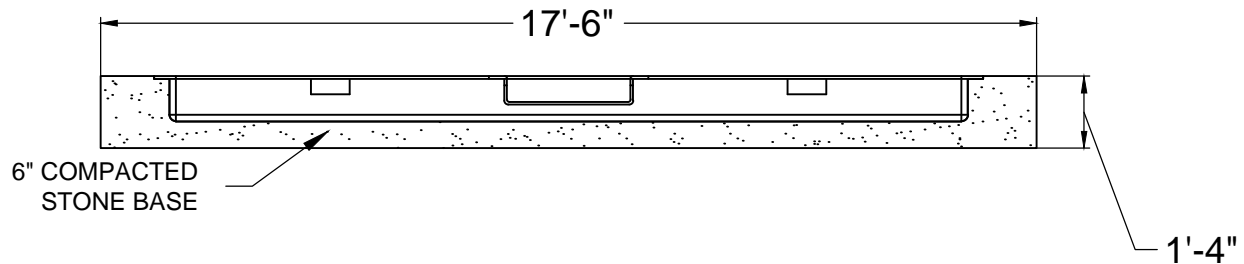
A means of entry & exit for the deep end & shallow end of the pool must be provided in accordance with 2024 INTERNATIONAL SWIMMING POOL & SPA CODE, section 809.

Equipotential bonding must be provided in accordance with the NATIONAL ELECTRIC CODE, NFPA 70.

3' wide, 3" thick concrete deck is to be poured at a slope of 1/4" to 1' away from the pool. NO DIVING labels are to be installed around the perimeter of the pool.

A safety line, with buoys, is to be permanently attached 1'0" to the shallow side of the point of first slope change.

Suction entrapment avoidance to be installed in accordance with APSP/ANSI/ICC-7 Pool Coping/Deck is within 12" of the designated waterline, this satisfies requirement for handholds per ISPSC 2024 SECTION 323.1.



Fort Plain Fiberglass Pools, LLC is the manufacturer of Blue Anchor pool shells. Fort Plain distributes its products through unaffiliated distributors and contractors. Therefore, as such, Imperial Pools, Inc. is not responsible for errors or omissions, all specifications, measurements, and pool information is provided by Fort Plain Fiberglass Pools. Imperial Pools, Inc./Blue Anchor Pools brand is not responsible for the installation of its Blue Anchor Pools and does not have control over the workmanship or installation standards of independent contractors. Blue Anchor Pools are intended for residential use only.

Distributed by:



Imperial
POOLS INC.
REDEFINING ONE SOURCE

33 Wade Road | Latham, NY 12110