

OCTAGON

The vinyl works

(518) 786-1200 • Fax (518) 786-1476

Orders can be e-mailed to
LinerOrder@TheVinylWorks.com

- QUOTE ORDER
 REPLACEMENT NEW POOL

DATE: _____ PO#: _____
 JOB NAME: _____

ORDERED BY

COMPANY: _____
 CONTACT: _____
 ADDRESS: _____
 CITY/STATE: _____ ZIP: _____
 PHONE: _____ FAX: _____
 E-MAIL: _____

SHIP TO

NAME: _____
 ADDRESS: _____
 CITY/STATE: _____ ZIP: _____
 PHONE: _____ FAX: _____
 SHIP VIA: _____

WALL PATTERN: _____ Mil: _____

FLOOR PATTERN: _____ Mil: _____

****If mil is not specified, Standard mil will apply****

- No Stair Steel Stair (Send complete layout w/ order)
 Plastic Stair Radius Straight

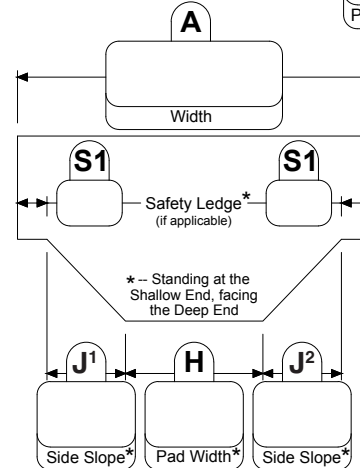
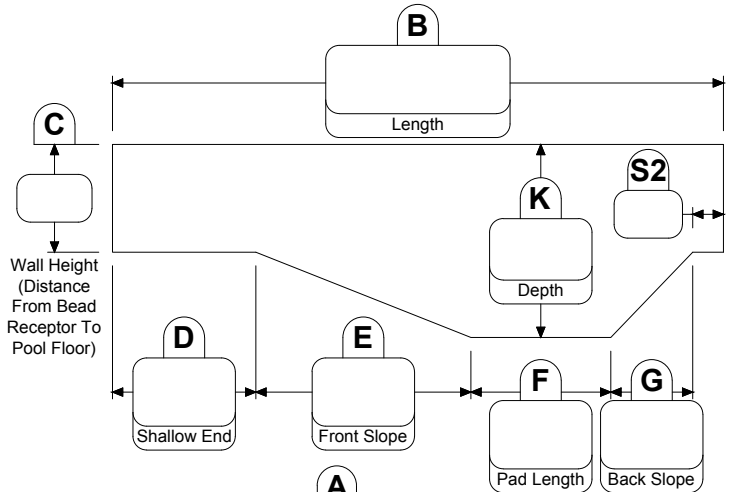
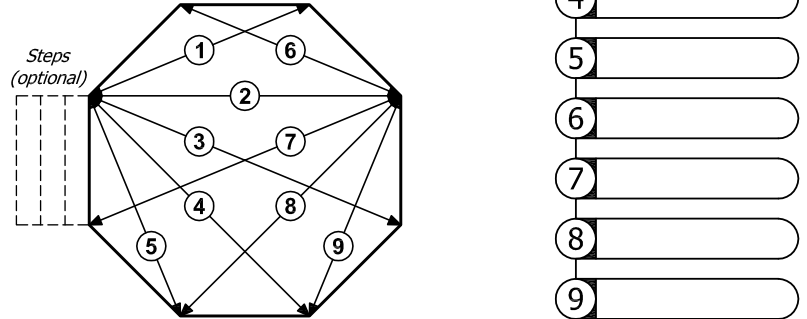
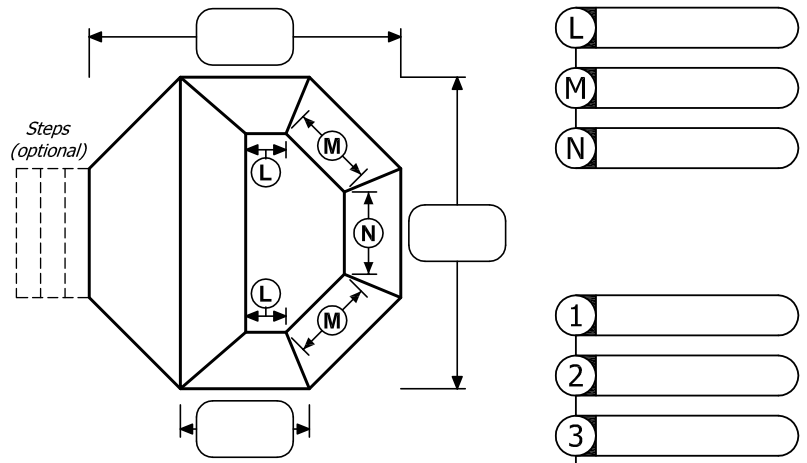
****Indicate wall seam location on drawing****

LINER ATTACHMENT TO WALL:

- Beaded Multibead Overlap Other

FOR OFFICE USE ONLY

DLR: _____
 ORDER #: _____
 PRODUCTION #: _____
 DATE: _____



* - Standing at the Shallow End, facing the Deep End

The prompt production and delivery of your liner will depend on the accuracy and completeness of this request. No custom liner will be started unless all information is complete. ONLY COMPLETE AND LEGIBLE ORDERS WILL BE PROCESSED! A Vinyl Works order form must be used to be eligible for Liner Guard approved reimbursement.

I hereby authorize Vinyl Works, Inc. to produce, as a special order, a vinyl liner for an inground pool in accordance with the design provided and acknowledge that Vinyl Works, Inc. has not participated in either the design or specifications of this liner and accept full responsibility for the same. I further agree not to hold Vinyl Works, Inc. liable. I will pay in full for any and all claims and expenses that may arise out of the design or use of said special liner.

SIGNED: _____

