



Imperial
POOLS INC.
REDEFINING ONE SOURCE

UNIVERSAL STEEL SPEC BOOK

42" Panel

- Assembly Drawings and Guidelines
(Stairs and Cuddle Coves – Full and Nexus Steel)
- Coping Layouts *(CP2 and Progressive)*
- Deck Square Footage Chart
- Dig Specifications
- Panel Layouts

*Pool components manufactured by Imperial Pools, Inc.
are intended for private residential use only.*

WARNINGS TO INSTALLER



CAUTION

CARE SHOULD BE TAKEN WHEN INSTALLING A POOL. SERIOUS INJURY CAN OCCUR IF PROPER PRECAUTIONS ARE NOT TAKEN DURING INSTALLATION.

A safety package should be provided with the pool. Its contents should be reviewed with the pool owner. The package should include a pool safety sign, "NO DIVING" decals and placement instructions, the Association of Pool and Spa Professionals Minimum Standards for Residential Swimming Pools, and safety booklets such as: the Sensible Way to Enjoy Your Inground Swimming Pool, Greg Lougainis on Diving, and Children Aren't Waterproof. You may obtain a safety package by contacting:

Customer Service
33 Wade Road
Latham, NY 12110
(518) 786-1200

The installer should place all warnings according to the manufacturer's instructions prior to use of this pool.

NOTICE: It is not recommended to use diving and/or sliding equipment on residential pools. Such equipment, its installation, and use is the responsibility of the pool owner.

These pools are designed for private, residential use only. If this is not a private, residential pool, you should contact your local building department and the Association of Pool and Spa Professionals for standards relevant to its use, since they may be quite different.

**Association of Pool and Spa Professionals
211 Eisenhower Avenue
Alexandria, Virginia 22314**

For Pool Regulations and Standards refer to your Installation Manual-APSP Standards for Residential Swimming Pools.

WARNINGS TO POOL OWNER

Before using your pool, the dealer and/or installer should provide you with a safety package which should include a pool safety sign, "NO DIVING" decals and placement instructions, the Association of Pool and Spa Professionals Minimum Standards for Residential Swimming Pools, and the following pool safety booklets:

1. The Sensible Way to Enjoy Your Inground Swimming Pool.
2. Greg Lougainis on Diving - Knowing How to Dive Can Be Worth More Than Gold. It Can Be Worth Your Life.
3. Children Aren't Waterproof.

A safety package can be obtained by contacting:

Customer Service
33 Wade Road
Latham, NY 12110
(518) 786-1200



WARNING



**DIVING OR JUMPING
INTO POOL MAY RESULT
IN SERIOUS INJURY**

Swimming & Diving Safety

Imperial does not recommend the use of diving and/or sliding equipment on residential pools. If you choose to dive, a thorough familiarity with the pool bottom, awareness of depths, and understanding of the principles of head-first entry into the water are critical factors in safe diving.

Table of Contents

Patio	page no.
20' x 20'	1
24' x 24'	2
26' x 26'	3

Jewel	page no.
16' x 28' (Plastic Step)	4
16' x 28' (Steel Stair)	5
16' x 32' (Plastic Step)	6
16' x 32' (Steel Stair)	7
16' x 36' (Plastic Step)	8
16' x 36' (Steel Stair)	9
18' x 36' (Plastic Step)	10
18' x 36' (Steel Stair)	11

Oval	page no.
16' x 32'	12
18' x 36'	13
20' x 40'	14

Grecian	page no.
15' x 29'	15
17' x 33'	16
17' x 37'	17
18' x 37'	18
20' x 36'	19
20' x 40'	20
17' x 39' Lazy EL Left	21
17' x 39' Lazy EL Right	22
20' x 44' Lazy EL Left	23
20' x 44' Lazy EL Right	24

6" Radius / 90° Corner	page no.
12' x 24'	25
14' x 28'	26
16' x 32'	27
16' x 36'	28
18' x 36'	29
20' x 40'	30
16' x 38' x 24' 90° EL Left	31
16' x 38' x 24' 90° EL Right	32
18' x 45' Lazy EL Left	33
18' x 45' Lazy EL Right	34

4' Radius	page no.
16' x 32'	35
18' x 36'	36
20' x 40'	37
18' x 43' Lazy EL Left	38
18' x 43' Lazy EL Right	39

2' Radius	page no.
12' x 24'	40
14' x 28'	41
16' x 32'	42
16' x 36'	43
18' x 36'	44
20' x 40'	45
16' x 37' x 24' 90° EL Left	46
16' x 37' x 24' 90° EL Right	47
18' x 37' x 26' 90° EL Left	48
18' x 37' x 26' 90° EL Right	49
20' x 43' x 28' 90° EL Left	50
20' x 43' x 28' 90° EL Right	51
18' x 43' Lazy EL Left	52
18' x 43' Lazy EL Right	53

Roman End	page no.
16' x 35' (Steel Stair)	54
16' x 37' (Plastic Step)	55
18' x 39' (Steel Stair)	56
18' x 41' (Plastic Step)	57
20' x 41' (Steel Stair)	58
20' x 43' (Plastic Step)	59
18' x 44' Lazy EL Left (Steel Stair)	60
18' x 44' Lazy EL Left (Plastic Step)	61
18' x 44' Lazy EL Right (Steel Stair)	62
18' x 44' Lazy EL Right (Plastic Step)	63

Keyhole	page no.
16' x 32' Standard View	64 - 65
16' x 32' Reverse View	66 - 67
18' x 36' Standard View	68 - 69
18' x 36' Reverse View	70 - 71
20' x 40' Standard View	72 - 73
20' x 40' Reverse View	74 - 75

Kidney	page no.
15' x 26' Left	76 - 77
15' x 26' Right	78 - 79
16' x 30' Left	80 - 81
16' x 30' Right	82 - 83
16' x 33' Left	84 - 85
16' x 33' Right	86 - 87
18' x 36' Left	88 - 89
18' x 36' Right	90 - 91
20' x 38' Left	92 - 93
20' x 38' Right	84 - 95

Mountain Pond	page no.
18' x 30' Left	96 - 97
18' x 30' Right	98 - 99
20' x 34' Left	100 - 101
20' x 34' Right	102 - 103
22' x 36' Left	104 - 106
22' x 36' Right	107 - 109
24' x 40' Left	110 - 112
24' x 40' Right	113 - 115

Mountain Lake	page no.
20' x 32' Standard View	116 - 117
20' x 32' Reverse View	118 - 119
21' x 32' Standard View	120 - 121
21' x 32' Reverse View	122 - 123
21' x 40' Standard View	124 - 126
21' x 40' Reverse View	127 - 129
23' x 37' Standard View	130 - 132
23' x 37' Reverse View	133 - 135
23' x 42' Standard View	136 - 138
23' x 42' Reverse View	139 - 141
26' x 40' Standard View	142 - 144
26' x 40' Reverse View	145 - 147
24' x 44' Standard View	148 - 150
24' x 44' Reverse View	151 - 153

Lagoon	page no.
16' x 34' x 25' Left	154 - 156
16' x 34' x 25' Right	157 - 159
18' x 37' x 29' Left	160 - 162
18' x 37' x 29' Right	163 - 165
20' x 42' x 31' Left	166 - 168
20' x 42' x 31' Right	169 - 171

APPENDIX	page no.
<i>Deck Square Footage Chart</i>	A1
<i>Liner Installation & Removal Procedure</i>	A2
<i>Radius Inside Stair Assembly Guidelines</i>	
Full Steel	A3
Nexus	A4
<i>Radius Inside Stair Fillers</i>	
Full Steel *	A5
Nexus *	A6
<i>6'R x 12'W Steel Stair</i>	
Full Steel *	A7
Nexus *	A8
<i>7'R x 13'W Steel Stair</i>	
Full Steel	A9
Nexus	A10
<i>8'R x 14'W Steel Stair</i>	
Full Steel *	A11
Nexus *	A12
<i>9'R x 15'W Steel Stair</i>	
Full Steel *	A13
Nexus *	A14
<i>10'R x 16'W Steel Stair</i>	
Full Steel	A15
Nexus	A16

APPENDIX (continued)	page no.
<i>Straight Stair Assembly Guidelines</i>	
Full Steel	A17
Nexus	A18
<i>Straight Stair Fillers</i>	
Full Steel *	A19
Nexus	A20
<i>Straight Stair Layouts</i>	
4' Straight Stair *	A21
6' Straight Stair *	A22
8' Straight Stair *	A23
10', 12', 14', 16', 18' & 20' Straight Stairs	
Full Steel *	A24
Nexus *	A25
<i>Inside Corner Stairs</i>	
90° Inside Corner Stair	
Full Steel	A26
Nexus	A27
2' Radius Inside Corner Stair	
Full Steel	A28
Nexus	A29
<i>Grecian Stairs</i>	
6' Grecian Stair	
Full Steel	A30
Nexus	A31
8' Grecian Stair	
Full Steel	A32
Nexus	A33
<i>Inside Stair Layouts</i>	
<i>Radius Cuddle Coves</i>	
6' Radius *	A35
7' Radius	A36
8' Radius *	A37
9' Radius *	A38
10' Radius *	A39
<i>Straight Cuddle Coves</i>	
8' x 2'R *	A40
6' x 2' Diagonal *	A41
8' x 2' Diagonal *	A42
<i>Nexus Assembly Diagram</i>	A43
<i>Thermoplastic Step Fillers</i>	A43
<i>Steel Corner Fillers</i>	A44
<i>Modular Step & Bench</i>	
Components	A45, A46
Assemblies	A46 - A48
<i>Coping Layouts</i>	
Progressive Coping	A49 - A75
CP2 Coping	A76 - A102

* Component changes have been made to these assemblies starting in the 2022 season. Universal side panels or fillers may now be used. See Component drawings for all changes. Code numbers with a "U" added are now universal for either Left & Right, Closed Top & Nexus, OR BOTH

16' x 28'

Jewel

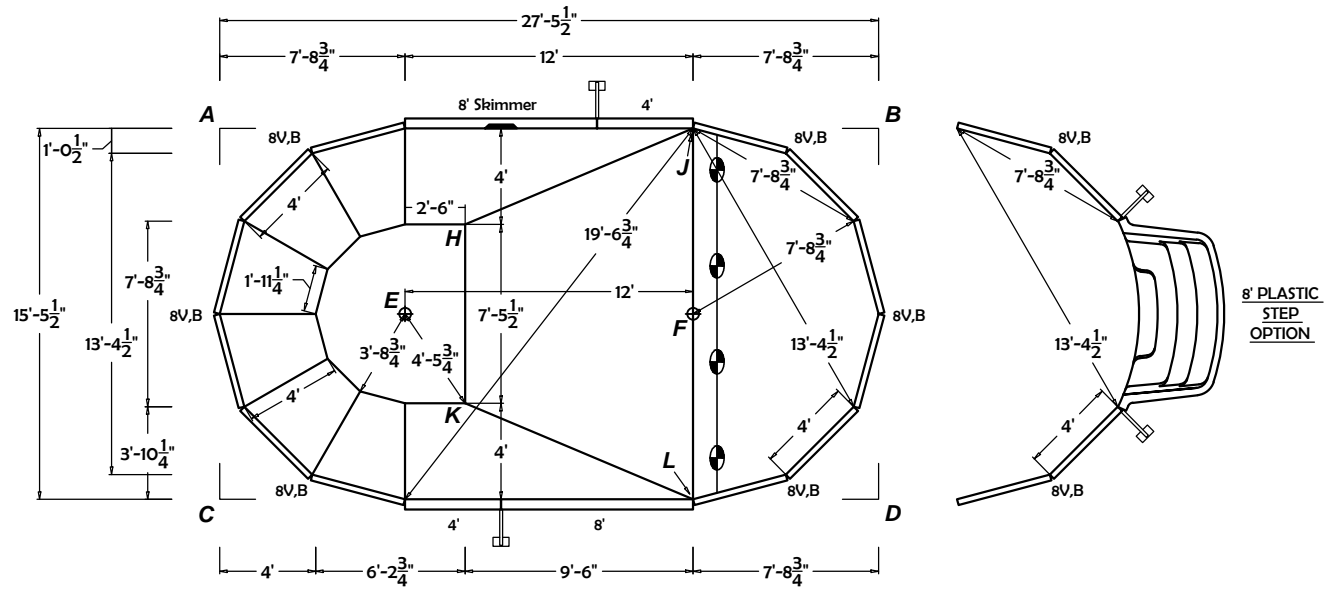
Perimeter	72'	page 1 of 2	No Stairs	8' Plastic - End
Surface Area	364.60 SF			
Volume	10350 gal			
Liner Sq. Ft.	424.4601 SF			

ITEM #	PART DESCRIPTION	No Stairs	8' Plastic - End
04142	8' Jewel Vee Panel	6	5
04101 / 05102	8' Plain Panel		
04102 / 05104	8' Skimmer Panel - 1085	1	1
04103 / 05108	8' Return Panel	1	1
04110	4' Plain Panel	1	1
04111	4' Return Panel	1	1
04200(U)	Left Grecian Stair Filler		
04201(U)	Right Grecian Stair Filler		
----	Adjustable A-Frame	2	4
04188B	8' Steel Stair		
07418R5NR	8' Radius Step-n-Rest	1	
PAK-75	Nut & Bolt Pak - 75 pcs	2	2
PAK-100	Nut & Bolt Pak - 100 pcs		
04143	8' Jewel Vee Light Panel		

ALL DIMENSIONS ARE FINISH DIMENSIONS

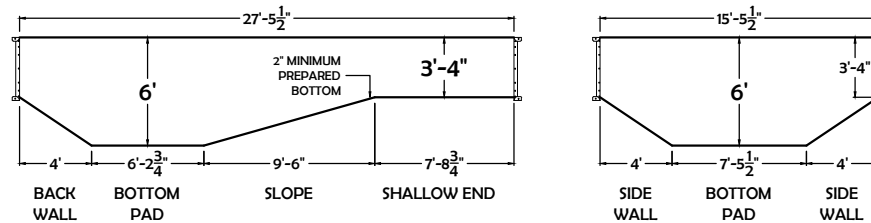
** see page A43 for Thermoplastic Step Filler specifications
 ** Coping Layouts are shown on pages A50 (Progressive) & A77 (CP2)

FROM A TO:	FROM B TO:	FROM C TO:	FROM D TO:
D 31'-6"	C 31'-6"	B 31'-6"	A 31'-6"
E 10'-11 1/4"	E 21'-2 1/4"	E 10'-11 1/4"	E 10'-11 1/4"
F 21'-2 1/4"	F 10'-11 1/4"	F 21'-2 1/4"	F 10'-11 1/4"
H 10'-11 3/4"	H 17'-8 1/4"	H 15'-4 1/4"	H 20'-8 1/4"
J 19'-8 3/4"	J 7'-8 3/4"	J 25'-0 3/4"	J 17'-3 1/4"
K 15'-4 1/4"	K 20'-8 1/4"	K 10'-11 3/4"	K 17'-8 1/4"
L 25'-0 3/4"	L 17'-3 1/4"	L 19'-8 3/4"	L 7'-8 3/4"



-- A-FRAME BRACE

GSF--GRECIAN STEEL STAIR FILLER (04200U / 04201U)
 8V--8' JEWEL VEE PANEL
 B--BLUE CAP - 30°
 W--WHITE CAP - 25°



NO DIVING PERMITTED INTO THIS POOL

The bottom configuration shown conforms with current ISPSC & ANSI / APSP / ICC suggested minimum standards for pools NOT approved for diving.

WARNING: Swimming pools can be dangerous if used improperly. Consult your dealer for information on safe use. It's the responsibility of town officials, builders and homeowners to follow safety recommendations of APSP/ANSI, local ordinances & equipment manufacturers.

- All work not specifically shown here is to be done in accordance with the requirements of the 2018 INTERNATIONAL SWIMMING POOL & SPA CODE, APSP/ANSI/ICC-5 2011 STANDARDS FOR RESIDENTIAL INGROUND SWIMMING POOLS, and all other local building codes.
- Construction Drawing: Different methods and precautions may be dictated by various ground conditions. This is to be determined by and is the responsibility of the contractor who is not an agent of the manufacturer of the component parts.
- Depth and shape of the pool meet minimum standards of the 2018 INTERNATIONAL SWIMMING POOL & SPA CODE and the APSP/ANSI/ICC-5 2011 STANDARDS FOR RESIDENTIAL INGROUND SWIMMING POOLS.
- A means of entry & exit for the deep end & shallow end of the pool must be provided in accordance with 2018 INTERNATIONAL SWIMMING POOL & SPA CODE, section 809.
- Equipotential bonding must be provided in accordance with the NATIONAL ELECTRIC CODE, NFPA 70.
- All A-frame braces are to be contained within an 8" thick continuous poured concrete (2500 psi) perimeter collar.
- Backfill with clean earth, free of roots and debris.
- Finished bottom is to be 2" minimum of suitable material or undisturbed earth.
- 3" wide, 3" thick concrete deck is to be poured at a slope of 1/4" to 1' away from the pool.
- NO DIVING labels are to be installed around the perimeter of the pool.
- A safety line, with buoys, is to be permanently attached 10' to the shallow side of the point of first slope change.
- Suction entrapment avoidance to be installed in accordance with APSP/ANSI/ICC-7

16' x 28'

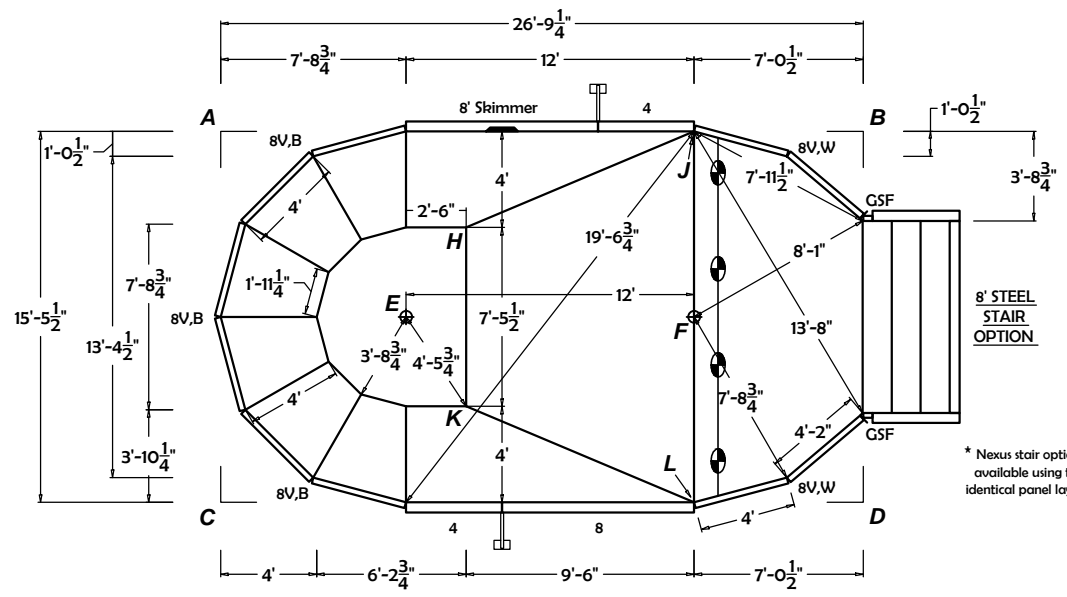
Jewel w/ Steel Stairs

ITEM #	PART DESCRIPTION	8' Steel End
04142	8' Jewel Vee Panel	5
04101 / 05102	8' Plain Panel	1
04102 / 05104	8' Skimmer Panel - 1085	1
04103 / 05108	8' Return Panel	
04110	4' Plain Panel	1
04111	4' Return Panel	1
04200(U)	Left Grecian Stair Filler	1
04201(U)	Right Grecian Stair Filler	1
----	Adjustable A-Frame	2
04188B	8' Steel Stair	1
07418R5NR	8' Radius Step-n-Rest	
PAK-75	Nut & Bolt Pak - 75 pcs	2
PAK-100	Nut & Bolt Pak - 100 pcs	
04143	8' Jewel Vee Light Panel	

ALL DIMENSIONS ARE FINISH DIMENSIONS

** see page A19 (full steel) & A20 (Nexus) for Straight Steel Stair Filler specifications
 ** Coping Layouts are shown on pages A50 (Progressive) & A77 (CP2)

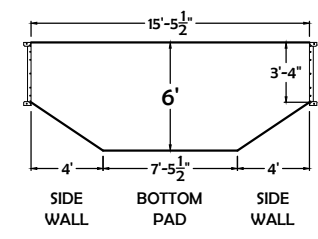
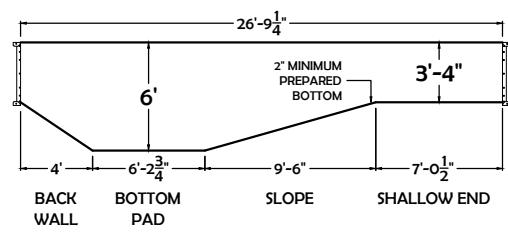
FROM A TO:	FROM B TO:	FROM C TO:	FROM D TO:
D 30'-11"	C 30'-11"	B 30'-11"	A 30'-11"
E 10'-11 1/4"	E 20'-6 1/2"	E 10'-11 1/4"	E 20'-6 1/2"
F 21'-2 1/4"	F 10'-5 1/2"	F 21'-2 1/4"	F 10'-5 1/2"
H 10'-11 3/4"	H 17'-0 1/4"	H 15'-4 1/4"	H 20'-1 1/2"
J 19'-8 3/4"	J 7'-0 1/2"	J 19'-8 3/4"	J 16'-11 3/4"
K 15'-4 1/4"	K 20'-1 1/2"	K 10'-11 3/4"	K 17'-0 1/4"
L 25'-0 3/4"	L 16'-11 3/4"	L 19'-8 3/4"	L 7'-0 1/2"



* Nexus stair option is available using the identical panel layout



GSF--GRECIAN STEEL STAIR FILLER (04200U / 04201U)
 8V--8' JEWEL VEE PANEL
 B--BLUE CAP - 30°
 W--WHITE CAP - 25°



NO DIVING PERMITTED INTO THIS POOL

The bottom configuration shown conforms with current ISPSC & ANSI / APSP / ICC suggested minimum standards for pools NOT approved for diving.

WARNING: Swimming pools can be dangerous if used improperly. Consult your dealer for information on safe use. It's the responsibility of town officials, builders and homeowners to follow safety recommendations of APSP/ANSI, local ordinances & equipment manufacturers.

- All work not specifically shown here is to be done in accordance with the requirements of the 2018 INTERNATIONAL SWIMMING POOL & SPA CODE, APSP/ANSI/ICC-5 2011 STANDARDS FOR RESIDENTIAL INGROUND SWIMMING POOLS, and all other local building codes.
- Construction Drawing: Different methods and precautions may be dictated by various ground conditions. This is to be determined by and is the responsibility of the contractor who is not an agent of the manufacturer of the component parts.
- Depth and shape of the pool meet minimum standards of the 2018 INTERNATIONAL SWIMMING POOL & SPA CODE and the APSP/ANSI/ICC-5 2011 STANDARDS FOR RESIDENTIAL INGROUND SWIMMING POOLS.
- A means of entry & exit for the deep end & shallow end of the pool must be provided in accordance with 2018 INTERNATIONAL SWIMMING POOL & SPA CODE, section 809.
- Equipotential bonding must be provided in accordance with the NATIONAL ELECTRIC CODE, NFPA 70.
- All A-frame braces are to be contained within an 8" thick continuous poured concrete (2500 psi) perimeter collar.
- Backfill with clean earth, free of roots and debris.
- Finished bottom is to be 2" minimum of suitable material or undisturbed earth.
- 3" wide, 3" thick concrete deck is to be poured at a slope of 1/8" to 1' away from the pool.
- NO DIVING labels are to be installed around the perimeter of the pool.
- A safety line, with buoys, is to be permanently attached 10' to the shallow side of the point of first slope change.
- Suction entrapment avoidance to be installed in accordance with APSP/ANSI/ICC-7

18' x 36'

Jewel

Perimeter	94'	page 1 of 2	No Stairs	8' Plastic - End
Surface Area	574.46 SF			
Volume	19100 gal			
Liner Sq. Ft.	650.5317 SF			

ITEM #	PART DESCRIPTION	No Stairs	8' Plastic - End
04140	9' Jewel Vee Panel	6	5
04101 / 05102	8' Plain Panel	1	1
04102 / 05104	8' Skimmer Panel - 1085	1	1
04103 / 05108	8' Return Panel	2	2
04110	4' Plain Panel	2	2
04208(U)	Left Jewel Stair Filler		
04209(U)	Right Jewel Stair Filler		
04334	525 Series Plastic Step Filler	2	
----	Adjustable A-Frame	4	6
04188B	8' Steel Stair		
07418R5NR	8' Radius Step-n-Rest	1	
PAK-75	Nut & Bolt Pak - 75 pcs	2	2
PAK-100	Nut & Bolt Pak - 100 pcs		
04143	8' Jewel Vee Light Panel		

ALL DIMENSIONS ARE FINISH DIMENSIONS

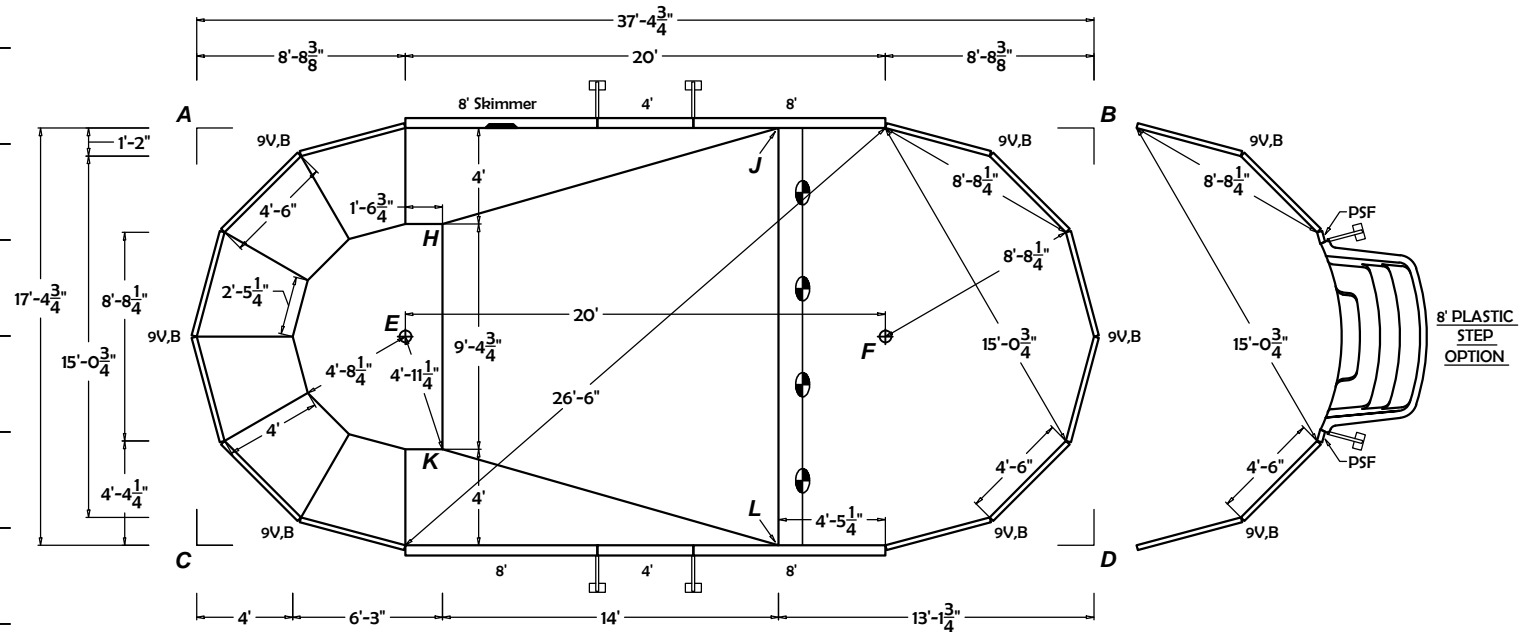
** see page A43 for Thermoplastic Step Filler specifications
 ** Coping Layouts are shown on pages A51 (Progressive) & A78 (CP2)

FROM A TO:	Dimension
D	41'-2 3/4"
E	12'-3 1/2"
F	29'-11 3/4"
H	11"
J	24'-3"
K	16'-10 1/4"
L	29'-10"

FROM B TO:	Dimension
C	41'-2 3/4"
E	29'-11 3/4"
F	12'-3 1/2"
H	27'-5 1/4"
J	13'-1 3/4"
K	30'-3"
L	21'-9 1/2"

FROM C TO:	Dimension
B	41'-2 3/4"
E	12'-3 1/2"
F	29'-11 3/4"
H	16'-10 1/4"
J	29'-10"
K	11"
L	24'-3"

FROM D TO:	Dimension
A	41'-2 3/4"
E	29'-11 3/4"
F	12'-3 1/2"
H	30'-3"
J	21'-9 1/2"
K	27'-5 1/4"
L	13'-1 3/4"



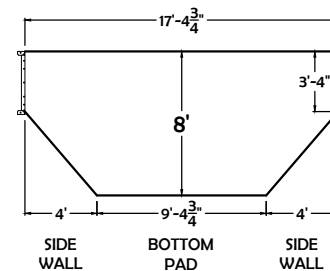
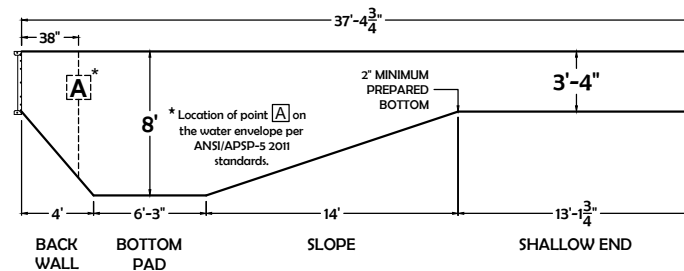
⊥ -- A-FRAME BRACE

JSF--JEWEL STEEL STAIR FILLER (04208U / 04209U)
 PSF--525 SERIES PLASTIC STEP FILLER (04334)
 9V--9' JEWEL VEE PANEL
 B--BLUE CAP - 30°
 W--WHITE CAP - 25°

DIVING PERMITTED ONLY FROM DESIGNATED DIVING AREA.
 The bottom configuration shown conforms with current ISPSC & ANSI / APSP / ICC suggested minimum standards for pools approved for use with manufactured diving equipment.

WARNING: Swimming pools can be dangerous if used improperly. Consult your dealer for information on safe use. It's the responsibility of town officials, builders and homeowners to follow safety recommendations of APSP/ANSI, local ordinances & equipment manufacturers.

- All work not specifically shown here is to be done in accordance with the requirements of the 2018 INTERNATIONAL SWIMMING POOL & SPA CODE, APSP/ANSI/ICC-5 2011 STANDARDS FOR RESIDENTIAL INGROUND SWIMMING POOLS, and all other local building codes.
- Construction Drawing: Different methods and precautions may be dictated by various ground conditions. This is to be determined by and is the responsibility of the contractor who is not an agent of the manufacturer of the component parts.
- Depth and shape of the pool meet minimum standards of the 2018 INTERNATIONAL SWIMMING POOL & SPA CODE and the APSP/ANSI/ICC-5 2011 STANDARDS FOR RESIDENTIAL INGROUND SWIMMING POOLS.
- A means of entry & exit for the deep end & shallow end of the pool must be provided in accordance with 2018 INTERNATIONAL SWIMMING POOL & SPA CODE, section 809.
- Equipotential bonding must be provided in accordance with the NATIONAL ELECTRIC CODE, NFPA 70.
- All A-frame braces are to be contained within an 8" thick continuous poured concrete (2500 psi) perimeter collar.
- Backfill with clean earth, free of roots and debris.
- Finished bottom is to be 2" minimum of suitable material or undisturbed earth.
- 3" wide, 3" thick concrete deck is to be poured at a slope of 1/4" to 1' away from the pool.
- NO DIVING labels are to be installed around the perimeter of the pool.
- A safety line, with buoys, is to be permanently attached 10' to the shallow side of the point of first slope change.
- Suction entrapment avoidance to be installed in accordance with APSP/ANSI/ICC-7



16' x 32' Oval

Perimeter	82'-4"	page 1 of 1	No Stairs 8' Plastic Step
Surface Area	457.06 SF		
Volume	15850 gal		
Liner Sq. Ft.	512.0000 SF		

ITEM #	PART DESCRIPTION	No Stairs	8' Plastic Step
04101 / 05102	8' Plain Panel	1	1
04102 / 05104	8' Skimmer Panel - 1085	1	1
04103 / 05108	8' Return Panel	2	2
04162	8' Radius Panel - 6'3"	8	6
04164	8' Radius Panel - 2'3"	2	
----	Adjustable A-Frame	6	8
07418R5NR	8' Radius Step-n-Rest		1
PAK-75	Nut & Bolt Pak - 75 pcs		
PAK-100	Nut & Bolt Pak - 100 pcs	2	2
04134	8' Radius Light - 6'3"		
04133	8' Radius Panel - 3'1 1/2"		

ALL DIMENSIONS ARE FINISH DIMENSIONS

** Coping Layouts are shown on pages A51 (Progressive) & A78 (CP2)

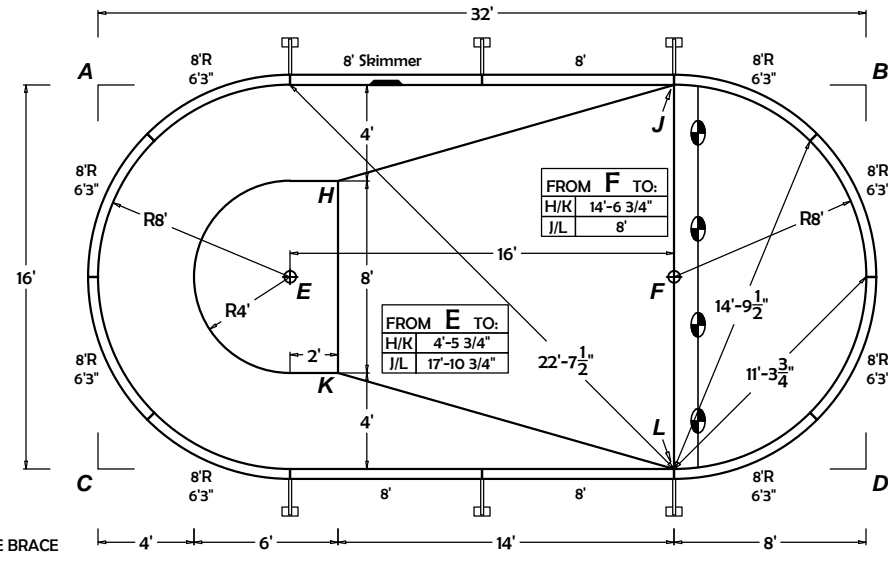
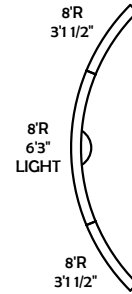
FROM A TO:	
D	35'-9 1/4"
E	11'-3 3/4"
F	25'-3 1/2"
H	10'-9 1/4"
J	24'
K	15'-7 1/2"
L	28'-10 1/4"

FROM B TO:	
C	35'-9 1/4"
E	25'-3 1/2"
F	11'-3 3/4"
H	22'-4 1/4"
J	8'
K	25'-0 3/4"
L	17'-10 3/4"

FROM C TO:	
B	35'-9 1/4"
E	11'-3 3/4"
F	25'-3 1/2"
H	15'-7 1/2"
J	28'-10 1/4"
K	10'-9 1/4"
L	24'

FROM D TO:	
A	35'-9 1/4"
E	25'-3 1/2"
F	11'-3 3/4"
H	25'-0 3/4"
J	17'-10 3/4"
K	22'-4 1/4"
L	8'

CENTER LIGHT PANEL OPTION

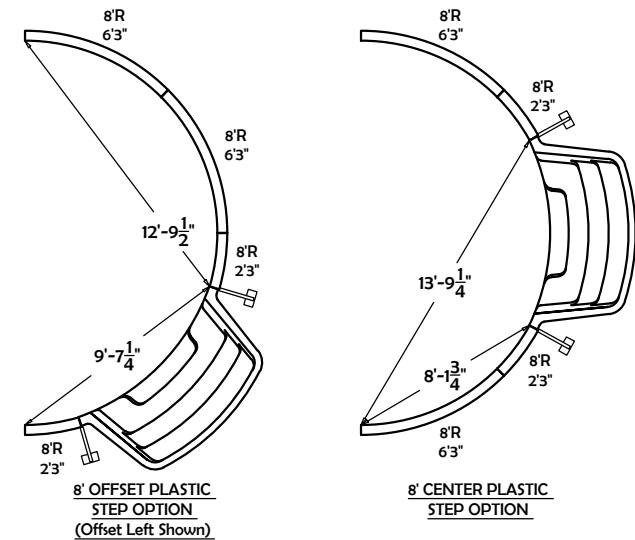
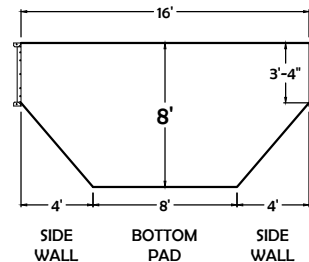
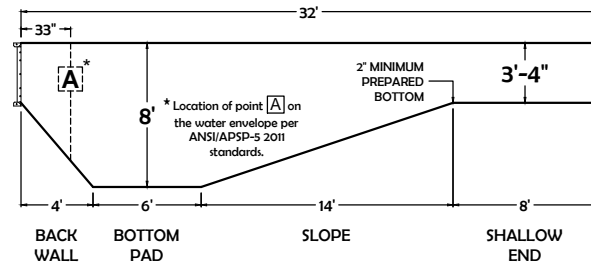


-- A-FRAME BRACE

DIVING PERMITTED ONLY FROM DESIGNATED DIVING AREA.
The bottom configuration shown conforms with current ISPSC & ANSI / APSP / ICC suggested minimum standards for pools approved for use with manufactured diving equipment.

WARNING: Swimming pools can be dangerous if used improperly. Consult your dealer for information on safe use. It's the responsibility of town officials, builders and homeowners to follow safety recommendations of APSP/ANSI, local ordinances & equipment manufacturers.

- All work not specifically shown here is to be done in accordance with the requirements of the 2018 INTERNATIONAL SWIMMING POOL & SPA CODE, APSP/ANSI/ICC-5 2011 STANDARDS FOR RESIDENTIAL INGROUND SWIMMING POOLS, and all other local building codes.
- Construction Drawing: Different methods and precautions may be dictated by various ground conditions. This is to be determined by and is the responsibility of the contractor who is not an agent of the manufacturer of the component parts.
- Depth and shape of the pool meet minimum standards of the 2018 INTERNATIONAL SWIMMING POOL & SPA CODE and the APSP/ANSI/ICC-5 2011 STANDARDS FOR RESIDENTIAL INGROUND SWIMMING POOLS.
- A means of entry & exit for the deep end & shallow end of the pool must be provided in accordance with 2018 INTERNATIONAL SWIMMING POOL & SPA CODE, section 809.
- Equipotential bonding must be provided in accordance with the NATIONAL ELECTRIC CODE, NFPA 70.
- All A-frame braces are to be contained within an 8" thick continuous poured concrete (2500 psi) perimeter collar.
- Backfill with clean earth, free of roots and debris.
- Finished bottom is to be 2" minimum of suitable material or undisturbed earth.
- 3" wide, 3" thick concrete deck is to be poured at a slope of 1/4" to 1' away from the pool. NO DIVING labels are to be installed around the perimeter of the pool.
- A safety line, with buoys, is to be permanently attached 10' to the shallow side of the point of first slope change.
- Suction entrapment avoidance to be installed in accordance with APSP/ANSI/ICC-7



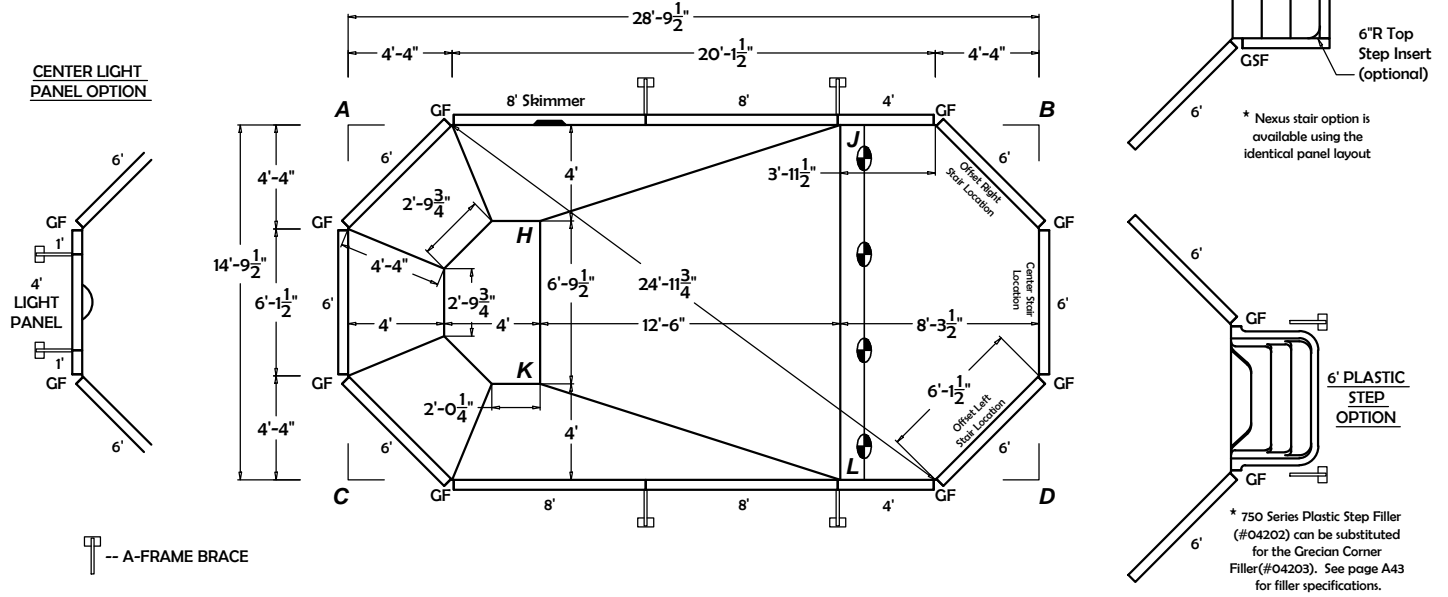
15' x 29' Grecian

Perimeter	77'	page 1 of 1	No Stairs	6' Steel Stair	6' Plastic Step
Surface Area	388.16 SF				
Volume	11850 gal				
Liner Sq. Ft.	425.8767 SF				
ITEM #	PART DESCRIPTION				
04101 / 05102	8' Plain Panel	1	2	1	
04102 / 05104	8' Skimmer Panel - 1085	1	1	1	
04103 / 05108	8' Return Panel	2	1	2	
04106 / 05112	6' Plain Panel	6	5	5	
04203	4' Plain Panel	2	2	2	
04203	Grecian Corner Filler	8	6	8	
04200(U)	Left Grecian Stair Filler		1		
04201(U)	Right Grecian Stair Filler		1		
04202	750 Series Plastic Step Filler				
----	Adjustable A-Frame	4	4	6	
04151B	6' Steel Stair		1		
074165NR	6' Step-n-Rest			1	
PAK-75	Nut & Bolt Pak - 75 pcs	2	2	2	
PAK-100	Nut & Bolt Pak - 100 pcs				
04112	4' Light Panel				
04119	1' Plain Panel				

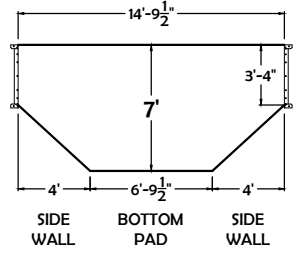
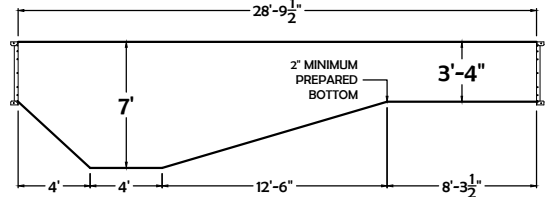
ALL DIMENSIONS ARE FINISH DIMENSIONS

** see page A19 (full steel) & A20 (Nexus) for Straight Steel Stair Filler specifications
 ** see page A44 Steel Corner Filler specifications
 ** Coping Layouts are shown on pages: A52 (Progressive) & A79 (CP2)

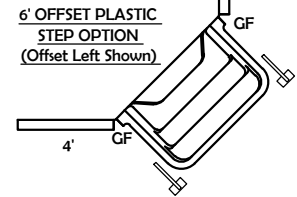
FROM A TO:		FROM B TO:		FROM C TO:		FROM D TO:	
D	32'-4 1/4"	C	32'-4 1/4"	B	32'-4 1/4"	A	32'-4 1/4"
H	8'-11 1/4"	H	21'-2"	H	13'-5 1/4"	H	23'-5"
J	20'-6"	J	8'-3 1/2"	J	25'-3 1/4"	J	16'-11 1/2"
K	13'-5 1/4"	K	23'-5"	K	8'-11 1/4"	K	21'-2"
L	25'-3 1/4"	L	16'-11 1/2"	L	20'-6"	L	8'-3 1/2"



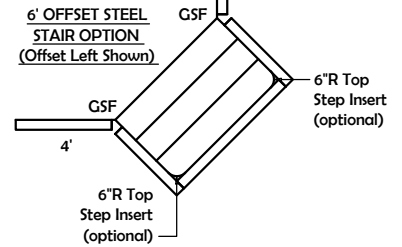
GF--GRECIAN CORNER FILLER (04203)
 GSF--GRECIAN STAIR FILLER (04200U / 04201U)
 PSF--750 SERIES PLASTIC STEP FILLER (04202)



* 750 Series Plastic Step Filler (#04202) can be substituted for the Grecian Corner Filler (#04203). See page A43 for filler specifications.



* Nexus stair option is available using the identical panel layout



NO DIVING PERMITTED INTO THIS POOL
 The bottom configuration shown conforms with current ISPSA & ANSI / APSP / ICC suggested minimum standards for pools NOT approved for diving.

WARNING: Swimming pools can be dangerous if used improperly. Consult your dealer for information on safe use. It's the responsibility of town officials, builders and homeowners to follow safety recommendations of APSP/ANSI, local ordinances & equipment manufacturers.

- All work not specifically shown here is to be done in accordance with the requirements of the 2018 INTERNATIONAL SWIMMING POOL & SPA CODE, APSP/ANSI/ICC-5 2011 STANDARDS FOR RESIDENTIAL INGROUND SWIMMING POOLS, and all other local building codes.
- Construction Drawing: Different methods and precautions may be dictated by various ground conditions. This is to be determined by and is the responsibility of the contractor who is not an agent of the manufacturer of the component parts.
- Depth and shape of the pool meet minimum standards of the 2018 INTERNATIONAL SWIMMING POOL & SPA CODE and the APSP/ANSI/ICC-5 2011 STANDARDS FOR RESIDENTIAL INGROUND SWIMMING POOLS.
- A means of entry & exit for the deep end & shallow end of the pool must be provided in accordance with 2018 INTERNATIONAL SWIMMING POOL & SPA CODE, section 809.
- Equipotential bonding must be provided in accordance with the NATIONAL ELECTRIC CODE, NFPA 70.
- All A-frame braces are to be contained within an 8" thick continuous poured concrete (2500 psi) perimeter collar.
- Backfill with clean earth, free of roots and debris.
- Finished bottom is to be 2" minimum of suitable material or undisturbed earth.
- 3" wide, 3" thick concrete deck is to be poured at a slope of 1/8" to 1' away from the pool.
- NO DIVING labels are to be installed around the perimeter of the pool.
- A safety line, with buoys, is to be permanently attached 10' to the shallow side of the point of first slope change.
- Suction entrapment avoidance to be installed in accordance with APSP/ANSI/ICC-7

17' x 33' Grecian

Perimeter	89'	page
Surface Area	512.88 SF	1 of 1
Volume	17600 gal	
Liner Sq. Ft.	550.6267 SF	

ITEM #	PART DESCRIPTION	No Stairs	8' Steel - End	6' Steel - Offset	8' Plastic - End	6' Plastic - Offset
04101 / 05102	8' Plain Panel	5	5	6	4	5
04102 / 05104	8' Skimmer Panel - 1085	1	1	1	1	1
04103 / 05108	8' Return Panel	2	1	1	2	2
04106 / 05112	6' Plain Panel	4	4	3	4	3
04203	Grecian Corner Filler	8	6	6	8	8
04200(U)	Left Grecian Stair Filler		1	1		
04201(U)	Right Grecian Stair Filler		1	1		
04202	750 Series Plastic Step Filler					
----	Adjustable A-Frame	4	4	4	6	6
04188B	8' Steel Stair		1			
04151B	6' Steel Stair			1		
074185NR	8' Step-n-Rest				1	
074165NR	6' Step-n-Rest					1
PAK-75	Nut & Bolt Pak - 75 pcs	2	2	2	2	2
PAK-100	Nut & Bolt Pak - 100 pcs					
04104 / 05109	8' Light Panel					

ALL DIMENSIONS ARE FINISH DIMENSIONS

** see page A19 (full steel) & A20 (Nexus) for Straight Steel Stair Filler specifications
 ** see page A44 Steel Corner Filler specifications
 ** Coping Layouts are shown on pages: A52 (Progressive) & A79 (CP2)

FROM A TO:

D	36'-10"
H	10'-9 1/4"
J	24'
K	16'-2 3/4"
L	29'-3 1/2"

FROM B TO:

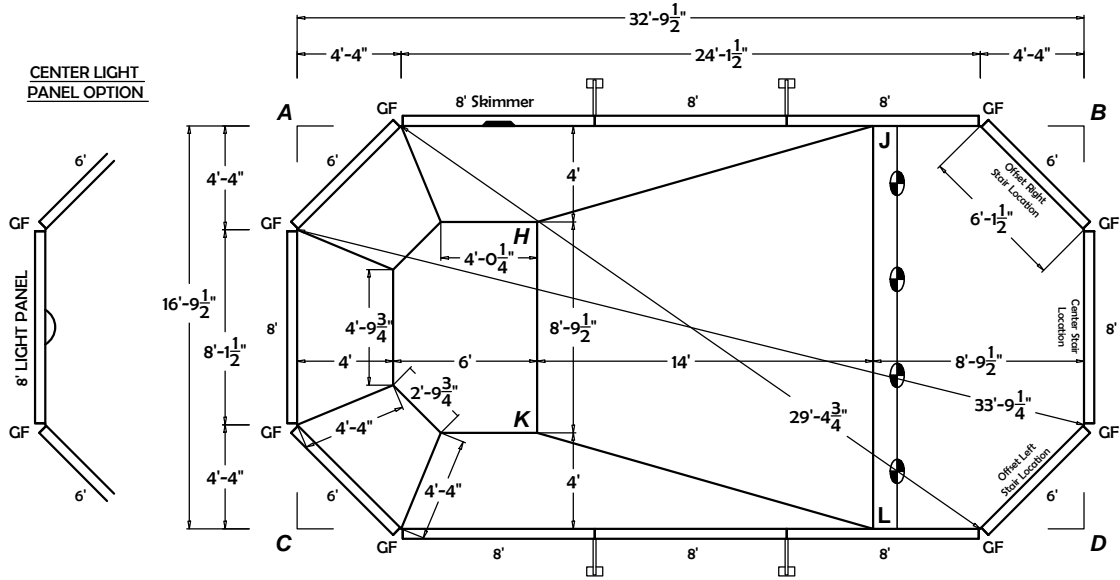
C	36'-10"
H	23'-1 3/4"
J	8'-9 1/2"
K	26'-1 1/2"
L	18'-11 1/4"

FROM C TO:

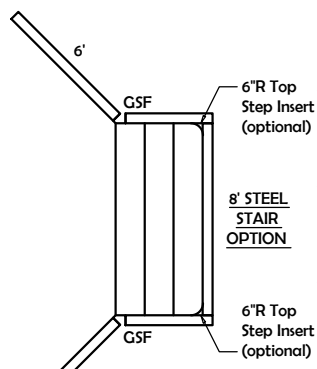
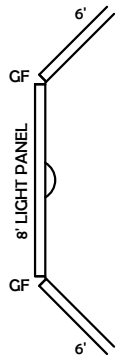
B	36'-10"
H	16'-2 3/4"
J	29'-3 1/2"
K	10'-9 1/4"
L	24'

FROM D TO:

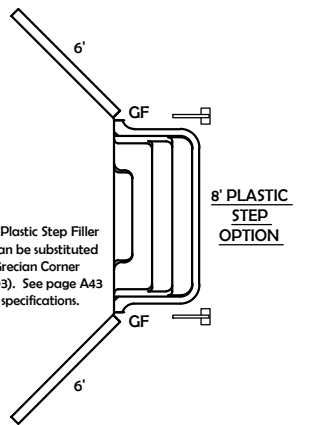
A	36'-10"
H	26'-1 1/2"
J	18'-11 1/4"
K	23'-1 3/4"
L	8'-9 1/2"



CENTER LIGHT PANEL OPTION



* Nexus stair option is available using the identical panel layout



* 750 Series Plastic Step Filler (#04202) can be substituted for the Grecian Corner Filler (#04203). See page A43 for filler specifications.

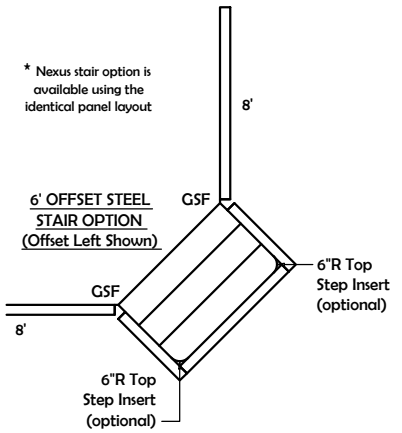
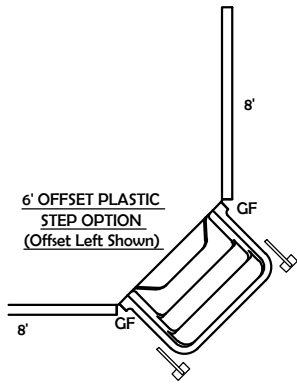
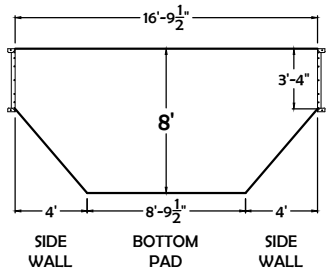
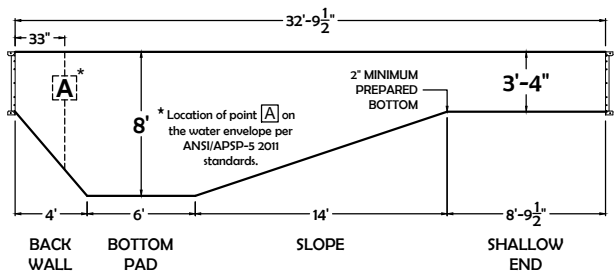
▲ -- A-FRAME BRACE

GF--GRECIAN CORNER FILLER (04203)
 GSF--GRECIAN STAIR FILLER (04200U / 04201U)
 PSF--750 SERIES PLASTIC STEP FILLER (04202)

DIVING PERMITTED ONLY FROM DESIGNATED DIVING AREA.
 The bottom configuration shown conforms with current ISPSC & ANSI / APSP / ICC suggested minimum standards for pools approved for use with manufactured diving equipment.

WARNING: Swimming pools can be dangerous if used improperly. Consult your dealer for information on safe use. It's the responsibility of town officials, builders and homeowners to follow safety recommendations of APSP/ANSI, local ordinances & equipment manufacturers.

- All work not specifically shown here is to be done in accordance with the requirements of the 2018 INTERNATIONAL SWIMMING POOL & SPA CODE, APSP/ANSI/ICC-5 2011 STANDARDS FOR RESIDENTIAL INGROUND SWIMMING POOLS, and all other local building codes.
- Construction Drawing: Different methods and precautions may be dictated by various ground conditions. This is to be determined by and is the responsibility of the contractor who is not an agent of the manufacturer of the component parts.
- Depth and shape of the pool meet minimum standards of the 2018 INTERNATIONAL SWIMMING POOL & SPA CODE and the APSP/ANSI/ICC-5 2011 STANDARDS FOR RESIDENTIAL INGROUND SWIMMING POOLS.
- A means of entry & exit for the deep end & shallow end of the pool must be provided in accordance with 2018 INTERNATIONAL SWIMMING POOL & SPA CODE, section 809.
- Equipotential bonding must be provided in accordance with the NATIONAL ELECTRIC CODE, NFPA 70.
- All A-frame braces are to be contained within an 8" thick continuous poured concrete (2500 psi) perimeter collar.
- Backfill with clean earth, free of roots and debris.
- Finished bottom is to be 2" minimum of suitable material or undisturbed earth.
- 3" wide, 3" thick concrete deck is to be poured at a slope of 1/4" to 1" away from the pool. NO DIVING labels are to be installed around the perimeter of the pool.
- A safety line, with buoys, is to be permanently attached 10' to the shallow side of the point of first slope change.
- Suction entrapment avoidance to be installed in accordance with APSP/ANSI/ICC-7



* Nexus stair option is available using the identical panel layout

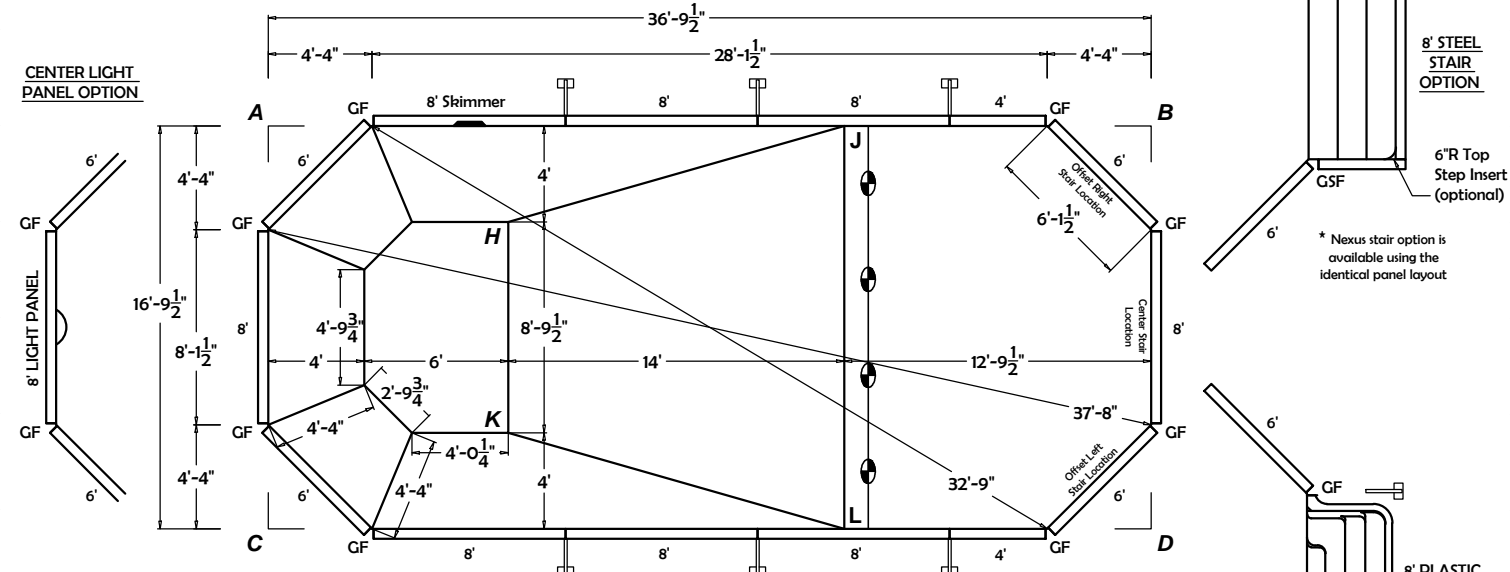
17' x 37' Grecian

Perimeter	97'	page 1 of 1	No Stairs	8' Steel - End	6' Steel - Offset	8' Plastic - End	6' Plastic - Offset
Surface Area	580.03 SF						
Volume	19050 gal						
Liner Sq. Ft.	617.7934 SF						
ITEM #	PART DESCRIPTION						
04101 / 05102	8' Plain Panel	5	5	6	4	5	
04102 / 05104	8' Skimmer Panel - 1085	1	1	1	1	1	
04103 / 05108	8' Return Panel	2	1	1	2	2	
04106 / 05112	6' Plain Panel	4	4	3	4	3	
04110	4' Plain Panel	2	2	2	2	2	
04203	Grecian Corner Filler	8	6	6	8	8	
04200(U)	Left Grecian Stair Filler		1	1			
04201(U)	Right Grecian Stair Filler		1	1			
04202	750 Series Plastic Step Filler						
----	Adjustable A-Frame	6	6	6	8	8	
04188B	8' Steel Stair		1				
04151B	6' Steel Stair			1			
074185NR	8' Step-n-Rest				1		
074165NR	6' Step-n-Rest					1	
PAK-75	Nut & Bolt Pak - 75 pcs	2	2	2	2	2	
PAK-100	Nut & Bolt Pak - 100 pcs						
04104 / 05109	8' Light Panel						

ALL DIMENSIONS ARE FINISH DIMENSIONS

** see page A19 (full steel) & A20 (Nexus) for Straight Steel Stair Filler specifications
 ** see page A44 Steel Corner Filler specifications
 ** Coping Layouts are shown on pages: A53 (Progressive) & A80 (CP2)

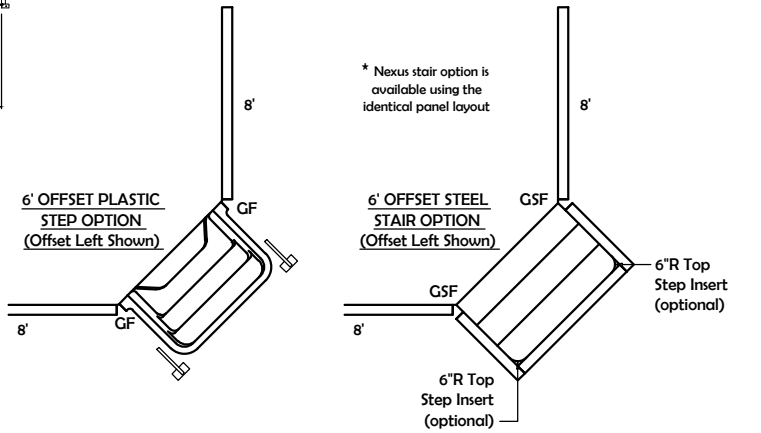
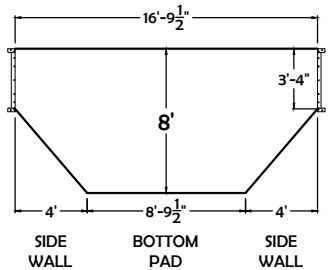
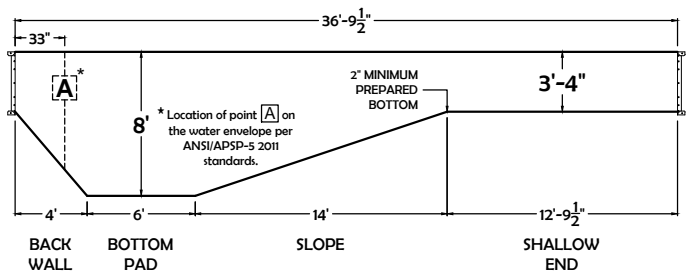
FROM A TO:		FROM B TO:		FROM C TO:		FROM D TO:	
D	40'-5 1/4"	C	40'-5 1/4"	B	40'-5 1/4"	A	40'-5 1/4"
H	10'-9 1/4"	H	27'-1"	H	16'-2 3/4"	H	29'-8 1/4"
J	24"	J	12'-9 1/2"	J	29'-3 1/2"	J	21'-1 1/4"
K	16'-2 3/4"	K	29'-8 1/4"	K	10'-9 1/4"	K	27'-1"
L	29'-3 1/2"	L	21'-1 1/4"	L	24"	L	12'-9 1/2"



DIVING PERMITTED ONLY FROM DESIGNATED DIVING AREA.
 The bottom configuration shown conforms with current ISPSC & ANSI / APSP / ICC suggested minimum standards for pools approved for use with manufactured diving equipment.

WARNING: Swimming pools can be dangerous if used improperly. Consult your dealer for information on safe use. It's the responsibility of town officials, builders and homeowners to follow safety recommendations of APSP/ANSI, local ordinances & equipment manufacturers.

- All work not specifically shown here is to be done in accordance with the requirements of the 2018 INTERNATIONAL SWIMMING POOL & SPA CODE, APSP/ANSI/ICC-5 2011 STANDARDS FOR RESIDENTIAL INGROUND SWIMMING POOLS, and all other local building codes.
- Construction Drawing: Different methods and precautions may be dictated by various ground conditions. This is to be determined by and is the responsibility of the contractor who is not an agent of the manufacturer of the component parts.
- Depth and shape of the pool meet minimum standards of the 2018 INTERNATIONAL SWIMMING POOL & SPA CODE and the APSP/ANSI/ICC-5 2011 STANDARDS FOR RESIDENTIAL INGROUND SWIMMING POOLS.
- A means of entry & exit for the deep end & shallow end of the pool must be provided in accordance with 2018 INTERNATIONAL SWIMMING POOL & SPA CODE, section 809.
- Equipotential bonding must be provided in accordance with the NATIONAL ELECTRIC CODE, NFPA 70.
- All A-frame braces are to be contained within an 8" thick continuous poured concrete (2500 psi) perimeter collar.
- Backfill with clean earth, free of roots and debris.
- Finished bottom is to be 2" minimum of suitable material or undisturbed earth.
- 3" wide, 3" thick concrete deck is to be poured at a slope of 1/8" to 1" away from the pool.
- NO DIVING labels are to be installed along the perimeter of the pool.
- A safety line, with buoys, is to be permanently attached 10' to the shallow side of the point of first slope change.
- Suction entrapment avoidance to be installed in accordance with APSP/ANSI/ICC-7



18' x 37' Grecian

Perimeter	99'	page 1 of 1
Surface Area	626.34 SF	
Volume	20600 gal	
Liner Sq. Ft.	677.5017 SF	

ITEM #	PART DESCRIPTION	No Stairs	8' Steel - End	6' Steel - Offset	8' Plastic - End	6' Plastic - Offset
04101 / 05102	8' Plain Panel	5	5	6	4	5
04102 / 05104	8' Skimmer Panel - 1085	1	1	1	1	1
04103 / 05108	8' Return Panel	2	1	1	2	2
04105 / 05110	7' Plain Panel	4	4	3	4	3
04113	3' Plain Panel	2	2	2	2	2
04136	6" Plain Panel			2		2
04203	Grecian Corner Filler	8	6	6	8	8
04200(U)	Left Grecian Stair Filler		1			
04201(U)	Right Grecian Stair Filler		1			
04206	Left Rectangle Stair Filler			1		
04207	Right Rectangle Stair Filler			1		
04202	750 Series Plastic Step Filler					
----	Adjustable A-Frame	6	6	6	8	8
04188B	8' Steel Stair		1			
04151B	6' Steel Stair			1		
074185NR	8' Step-n-Rest				1	
074165NR	6' Step-n-Rest					1
PAK-75	Nut & Bolt Pak - 75 pcs					
PAK-100	Nut & Bolt Pak - 100 pcs	2	2	2	2	2
04104 / 05109	8' Light Panel					

DIVING PERMITTED ONLY FROM DESIGNATED DIVING AREA.
The bottom configuration shown conforms with current ISPCS & ANSI / APSP / ICC suggested minimum standards for pools approved for use with manufactured diving equipment.

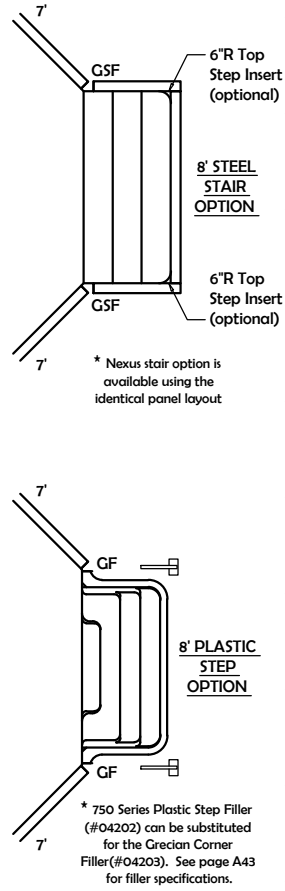
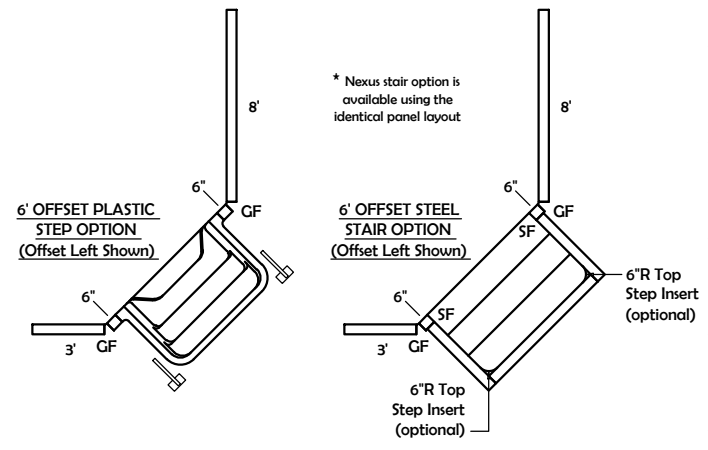
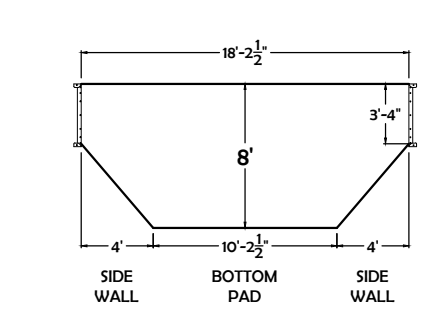
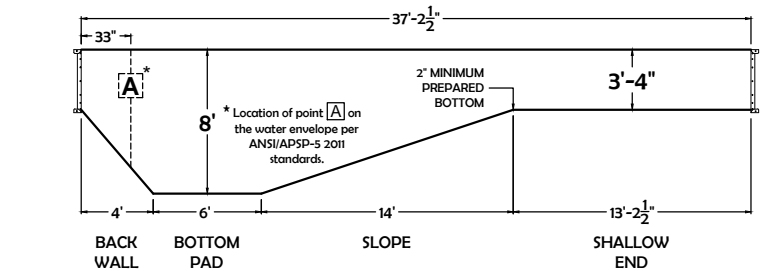
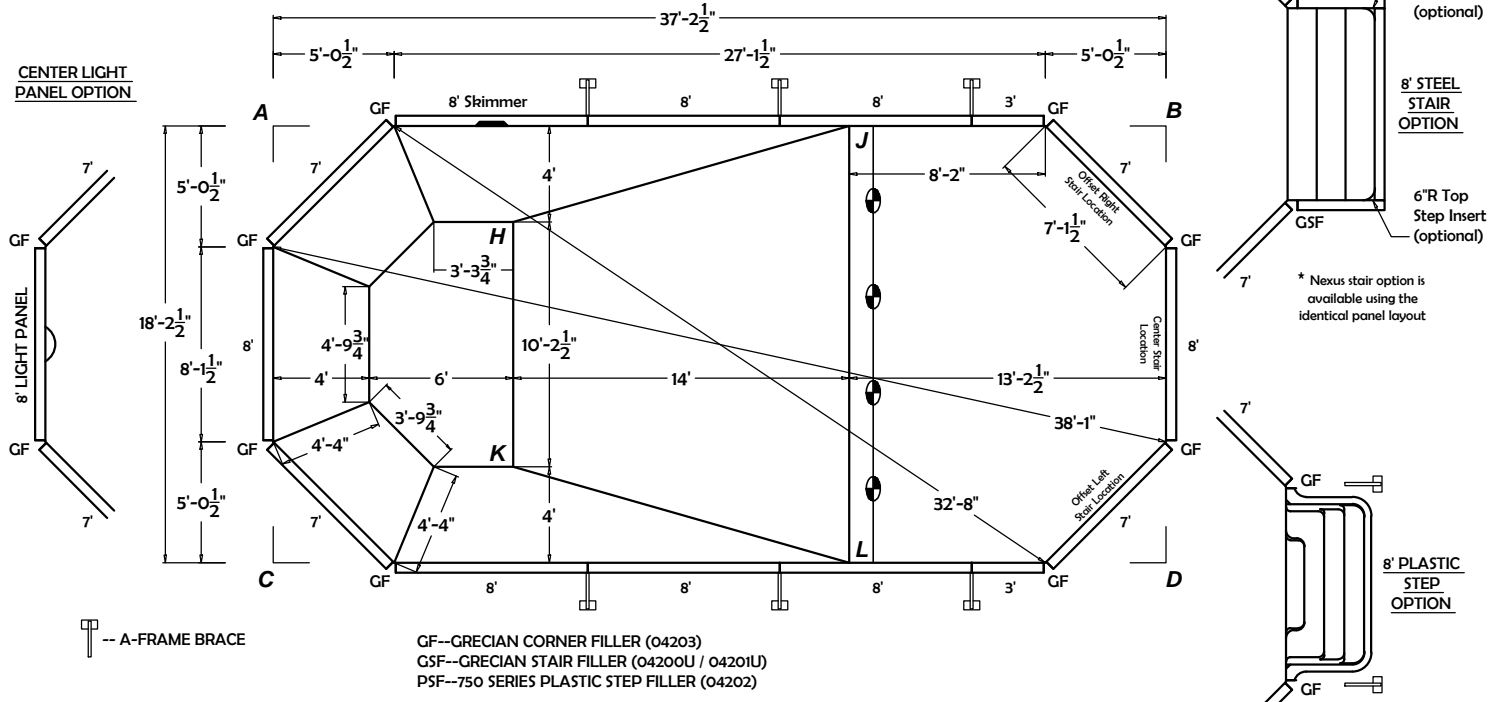
WARNING: Swimming pools can be dangerous if used improperly. Consult your dealer for information on safe use. It's the responsibility of town officials, builders and homeowners to follow safety recommendations of APSP/ANSI, local ordinances & equipment manufacturers.

- All work not specifically shown here is to be done in accordance with the requirements of the 2018 INTERNATIONAL SWIMMING POOL & SPA CODE, APSP/ANSI/ICC-5 2011 STANDARDS FOR RESIDENTIAL INGROUND SWIMMING POOLS, and all other local building codes.
- Construction Drawing: Different methods and precautions may be dictated by various ground conditions. This is to be determined by and is the responsibility of the contractor who is not an agent of the manufacturer of the component parts.
- Depth and shape of the pool meet minimum standards of the 2018 INTERNATIONAL SWIMMING POOL & SPA CODE and the APSP/ANSI/ICC-5 2011 STANDARDS FOR RESIDENTIAL INGROUND SWIMMING POOLS.
- A means of entry & exit for the deep end & shallow end of the pool must be provided in accordance with 2018 INTERNATIONAL SWIMMING POOL & SPA CODE, section 809.
- Equipotential bonding must be provided in accordance with the NATIONAL ELECTRIC CODE, NFPA 70.
- All A-frame braces are to be contained within an 8" thick continuous poured concrete (2500 psi) perimeter collar.
- Backfill with clean earth, free of roots and debris.
- Finished bottom is to be 2" minimum of suitable material or undisturbed earth.
- 3" wide, 3" thick concrete deck is to be poured at a slope of 1/4" to 1' away from the pool.
- NO DIVING labels are to be installed around the perimeter of the pool.
- A safety line, with buoys, is to be permanently attached 10' to the shallow side of the point of first slope change.
- Suction entrapment avoidance to be installed in accordance with APSP/ANSI/ICC-7

ALL DIMENSIONS ARE FINISH DIMENSIONS

** see page A19 (full steel) & A20 (Nexus) for Straight Steel Stair Filler specifications
** see page A44 Steel Corner Filler specifications
** Coping Layouts are shown on pages A53 - A54 (Progressive) & A80 - A81 (CP2)

FROM A TO:	FROM B TO:	FROM C TO:	FROM D TO:
D 41'-5"	C 41'-5"	B 41'-5"	A 41'-5"
H 10'-9 1/4"	H 17'-4 1/2"	H 17'-4 1/2"	H 30'-8 1/4"
J 24'	J 13'-2 1/2"	J 30'-1 1/2"	J 22'-5 3/4"
K 17'-4 1/2"	K 30'-8 1/4"	K 10'-9 1/4"	K 27'-6"
L 30'-1 1/2"	L 22'-5 3/4"	L 24'	L 13'-2 1/2"



* Nexus stair option is available using the identical panel layout

* 750 Series Plastic Step Filler (#04202) can be substituted for the Grecian Corner Filler (#04203). See page A43 for filler specifications.

20' x 40' Grecian

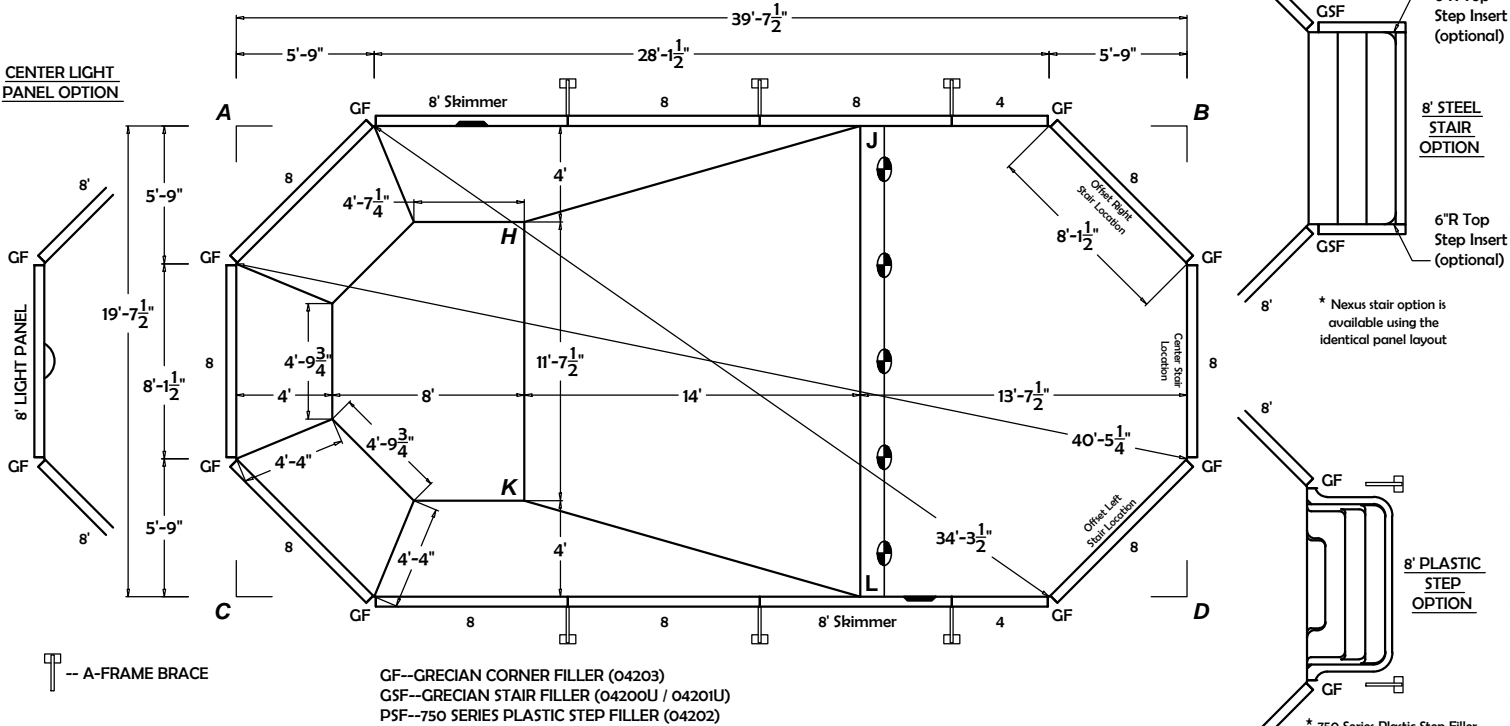
Perimeter	97'	page
Surface Area	632.60 SF	1 of 1
Volume	21250 gal	
Liner Sq. Ft.	699.1406 SF	

ITEM #	PART DESCRIPTION	No Stairs	8' Steel - End	8' Steel - Offset	8' Plastic - End	8' Plastic - Offset
04101 / 05102	8' Plain Panel	7	7	7	6	6
04102 / 05104	8' Skimmer Panel - 1085	2	2	2	2	2
04103 / 05108	8' Return Panel	3	2	2	3	3
04110	4' Plain Panel	2	2	2	2	2
04203	Grecian Corner Filler	8	6	6	8	8
04200(U)	Left Grecian Stair Filler		1	1		
04201(U)	Right Grecian Stair Filler		1	1		
04202	750 Series Plastic Step Filler					
----	Adjustable A-Frame	6	6	6	8	8
04188B	8' Steel Stair		1	1		
074185NR	8' Step-n-Rest				1	1
PAK-75	Nut & Bolt Pak - 75 pcs	1	1	1	1	1
PAK-100	Nut & Bolt Pak - 100 pcs	1	1	1	1	1
04104 / 05109	8' Light Panel					

ALL DIMENSIONS ARE FINISH DIMENSIONS

** see page A19 (full steel) & A20 (Nexus) for Straight Steel Stair Filler specifications
 ** see page A44 Steel Corner Filler specifications
 ** Coping Layouts are shown on pages: A54 (Progressive) & A81 (CP2)

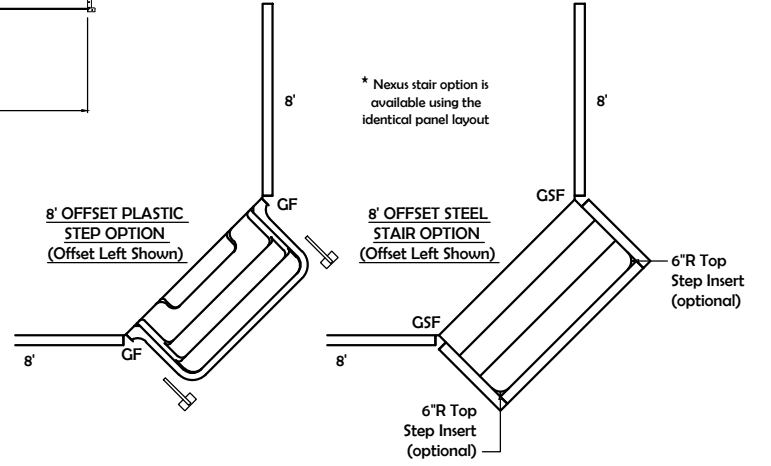
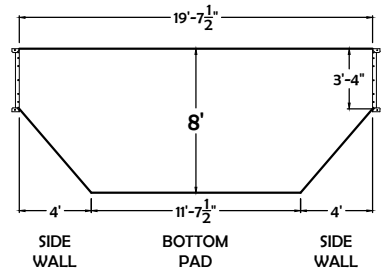
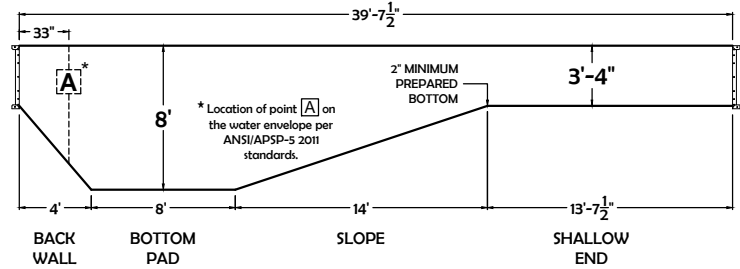
FROM A TO:	FROM B TO:	FROM C TO:	FROM D TO:
D 44'-2 1/2"	C 44'-2 1/2"	B 44'-2 1/2"	A 44'-2 1/2"
H 12'-7 3/4"	H 27'-10 3/4"	H 19'-8 1/4"	H 31'-8 3/4"
J 26'	J 13'-7 1/2"	J 32'-6 3/4"	J 23'-10 1/2"
K 19'-8 1/4"	K 31'-8 3/4"	K 12'-7 3/4"	K 27'-10 3/4"
L 32'-6 3/4"	L 23'-10 1/2"	L 26'	L 13'-7 1/2"



DIVING PERMITTED ONLY FROM DESIGNATED DIVING AREA.
 The bottom configuration shown conforms with current ISPSC & ANSI / APSP / ICC suggested minimum standards for pools approved for use with manufactured diving equipment.

WARNING: Swimming pools can be dangerous if used improperly. Consult your dealer for information on safe use. It's the responsibility of town officials, builders and homeowners to follow safety recommendations of APSP/ANSI, local ordinances & equipment manufacturers.

- All work not specifically shown here is to be done in accordance with the requirements of the 2018 INTERNATIONAL SWIMMING POOL & SPA CODE, APSP/ANSI/ICC-5 2011 STANDARDS FOR RESIDENTIAL INGROUND SWIMMING POOLS, and all other local building codes.
- Construction Drawing: Different methods and precautions may be dictated by various ground conditions. This is to be determined by and is the responsibility of the contractor who is not an agent of the manufacturer of the component parts.
- Depth and shape of the pool meet minimum standards of the 2018 INTERNATIONAL SWIMMING POOL & SPA CODE and the APSP/ANSI/ICC-5 2011 STANDARDS FOR RESIDENTIAL INGROUND SWIMMING POOLS.
- A means of entry & exit for the deep end & shallow end of the pool must be provided in accordance with 2018 INTERNATIONAL SWIMMING POOL & SPA CODE, section 809.
- Equipotential bonding must be provided in accordance with the NATIONAL ELECTRIC CODE, NFPA 70.
- All A-frame braces are to be contained within an 8" thick continuous poured concrete (2500 psi) perimeter collar.
- Backfill with clean earth, free of roots and debris.
- Finished bottom is to be 2" minimum of suitable material or undisturbed earth.
- 3" wide, 3" thick concrete deck is to be poured at a slope of 1/8" to 1' away from the pool.
- NO DIVING labels are to be installed around the perimeter of the pool.
- A safety line, with buoys, is to be permanently attached 10' to the shallow side of the point of first slope change.
- Suction entrapment avoidance to be installed in accordance with APSP/ANSI/ICC-7



17' x 39' Left Grecian Lazy EL

Perimeter	103'-7"	page	
Surface Area	635.21 SF	1 of 1	
Volume	20200 gal		
Liner Sq. Ft.	789.9080 SF		

ITEM #	PART DESCRIPTION	No Stairs	8' Steel - End	6' Steel - Offset	8' Plastic - End	6' Plastic - Offset
04101 / 05102	8' Plain Panel	3	3	4	2	3
04102 / 05104	8' Skimmer Panel - 1085	2	2	2	2	2
04103 / 05108	8' Return Panel	3	2	2	3	3
04106 / 05112	6' Plain Panel	4	4	3	4	3
04110	4' Plain Panel	2	2	2	2	2
04113	3' Plain Panel	2	2	2	2	2
04203	Grecian Corner Filler	8	6	6	8	8
04336	1 1/2" x 1 1/2" Outside EL Filler	1	1	1	1	1
04219	2" x 2" Lazy EL Filler	1	1	1	1	1
04200(U)	Left Grecian Stair Filler	1	1			
04201(U)	Right Grecian Stair Filler	1	1			
04202	750 Series Plastic Step Filler					
----	Adjustable A-Frame	8	8	8	10	10
04188B	8' Steel Stair		1			
04151B	6' Steel Stair			1		
074185NR	8' Step-n-Rest				1	
074165NR	6' Step-n-Rest					1
PAK-75	Nut & Bolt Pak - 75 pcs					
PAK-100	Nut & Bolt Pak - 100 pcs	2	2	2	2	2
04104 / 05109	8' Light Panel					

ALL DIMENSIONS ARE FINISH DIMENSIONS

** see page A19 (full steel) & A20 (Nexus) for Straight Steel Stair Filler specifications
 ** see page A44 Steel Corner Filler specifications
 ** Coping Layouts are shown on pages: A55 (Progressive) & A82 (CP2)

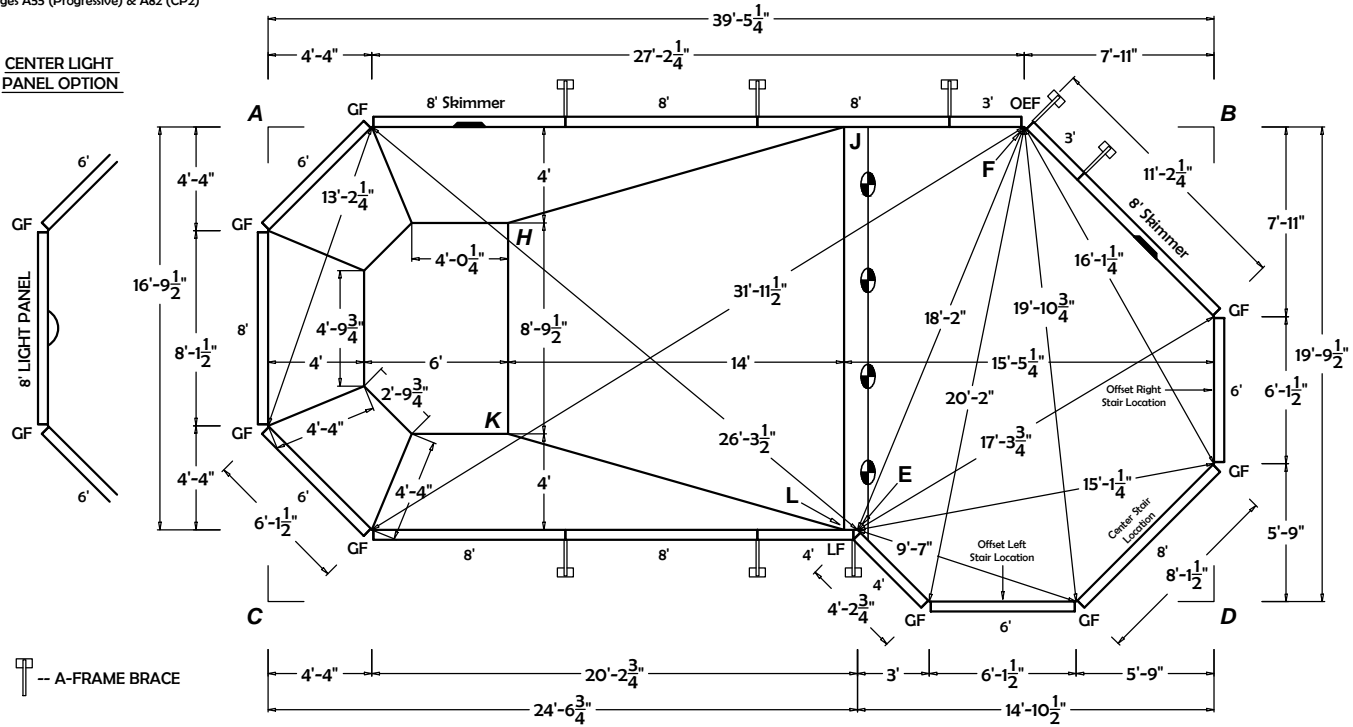
FROM A TO:	FROM B TO:
D 44'-1 1/4"	C 44'-1 1/4"
E 29'-9"	E 22'-5"
F 31'-6 1/4"	F 7'-11"
H 10'-9 1/4"	H 29'-8 1/4"
J 24'	J 15'-5 1/4"
K 16'-2 3/4"	K 32'-1"
L 29'-3 1/2"	L 22'-9 1/2"

FROM C TO:	FROM D TO:
B 44'-1 1/4"	A 44'-1 1/4"
E 24'-9"	E 15'-2"
F 37'-2 1/2"	F 21'-3 1/2"
H 18'-8 1/4"	H 33'-4 1/2"
J 31'-1 1/4"	J 25'-1"
K 12'-2 1/2"	K 30'-3"
L 24'-2 1/4"	L 15'-8 1/2"

FROM C TO:	FROM D TO:
B 44'-1 1/4"	A 44'-1 1/4"
E 24'-9"	E 15'-2"
F 37'-2 1/2"	F 21'-3 1/2"
H 18'-8 1/4"	H 33'-4 1/2"
J 31'-1 1/4"	J 25'-1"
K 12'-2 1/2"	K 30'-3"
L 24'-2 1/4"	L 15'-8 1/2"

GF--GRECIAN CORNER FILLER (04203)
 LF--2" x 2" LAZY EL FILLER (04219)
 OEF--1 1/2" x 1 1/2" OUTSIDE EL FILLER (04336)
 GSF--GRECIAN STAIR FILLER (04200U / 04201U)
 PSF--750 SERIES PLASTIC STEP FILLER (04202)

CENTER LIGHT PANEL OPTION

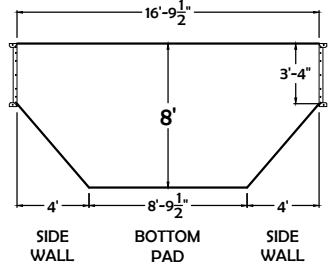
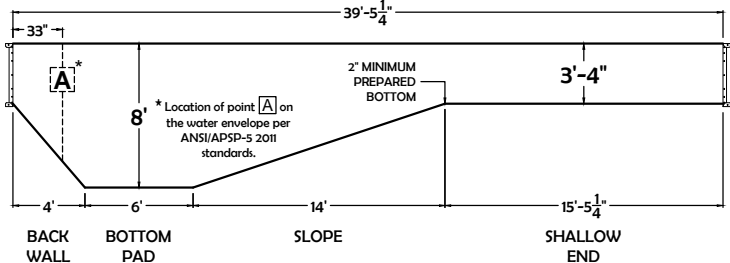


-- A-FRAME BRACE

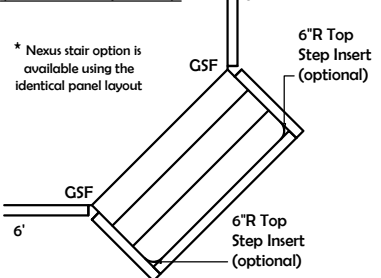
DIVING PERMITTED ONLY FROM DESIGNATED DIVING AREA.
 The bottom configuration shown conforms with current ISPCS & ANSI / APSP / ICC suggested minimum standards for pools approved for use with manufactured diving equipment.

WARNING: Swimming pools can be dangerous if used improperly. Consult your dealer for information on safe use. It's the responsibility of town officials, builders and homeowners to follow safety recommendations of APSP/ANSI, local ordinances & equipment manufacturers.

- All work not specifically shown here is to be done in accordance with the requirements of the 2018 INTERNATIONAL SWIMMING POOL & SPA CODE, APSP/ANSI/ICC-5 2011 STANDARDS FOR RESIDENTIAL INGROUND SWIMMING POOLS, and all other local building codes.
- Construction Drawing: Different methods and precautions may be dictated by various ground conditions. This is to be determined by and is the responsibility of the contractor who is not an agent of the manufacturer of the component parts.
- Depth and shape of the pool meet minimum standards of the 2018 INTERNATIONAL SWIMMING POOL & SPA CODE and the APSP/ANSI/ICC-5 2011 STANDARDS FOR RESIDENTIAL INGROUND SWIMMING POOLS.
- A means of entry & exit for the deep end & shallow end of the pool must be provided in accordance with 2018 INTERNATIONAL SWIMMING POOL & SPA CODE, section 809.
- Equipotential bonding must be provided in accordance with the NATIONAL ELECTRIC CODE, NFPA 70.
- All A-frame braces are to be contained within an 8" thick continuous poured concrete (2500 psi) perimeter collar.
- Backfill with clean earth, free of roots and debris.
- Finished bottom is to be 2" minimum of suitable material or undisturbed earth.
- 3" wide, 3" thick concrete deck is to be poured at a slope of 1/4" to 1' away from the pool.
- NO DIVING labels are to be installed around the perimeter of the pool.
- A safety line, with buoys, is to be permanently attached 10' to the shallow side of the point of first slope change.
- Suction entrapment avoidance to be installed in accordance with APSP/ANSI/ICC-7

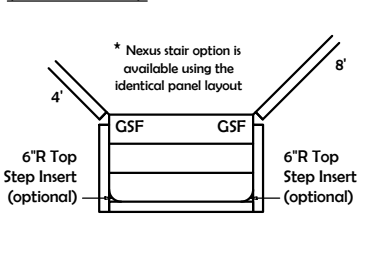


8' STEEL STAIR OPTION (Center End Step Shown)



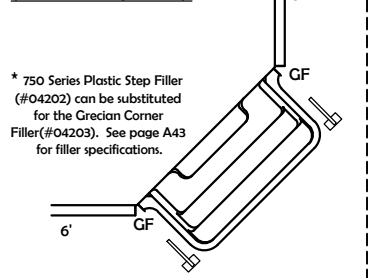
* Nexus stair option is available using the identical panel layout

6' OFFSET STEEL STAIR OPTION (Offset Left Shown)



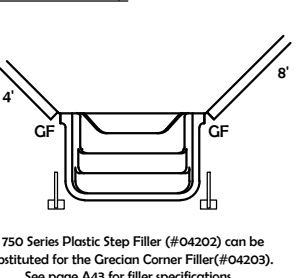
* Nexus stair option is available using the identical panel layout

8' PLASTIC STEP OPTION (Center End Step Shown)



* 750 Series Plastic Step Filler (#04202) can be substituted for the Grecian Corner Filler (#04203). See page A43 for filler specifications.

6' OFFSET PLASTIC STEP OPTION (Offset Left Shown)



* 750 Series Plastic Step Filler (#04202) can be substituted for the Grecian Corner Filler (#04203). See page A43 for filler specifications.

17' x 39' Right Grecian Lazy EL

Perimeter	103'-7"	page	
Surface Area	635.21 SF	1 of 1	
Volume	20200 gal		
Liner Sq. Ft.	789.9080 SF		

ITEM #	PART DESCRIPTION	No Stairs	8' Steel - End	6' Steel - Offset	8' Plastic - End	6' Plastic - Offset
04101 / 05102	8' Plain Panel	3	3	4	2	3
04102 / 05104	8' Skimmer Panel - 1085	2	2	2	2	2
04103 / 05108	8' Return Panel	3	2	2	3	3
04106 / 05112	6' Plain Panel	4	4	3	4	3
04110	4' Plain Panel	2	2	2	2	2
04113	3' Plain Panel	2	2	2	2	2
04203	Grecian Corner Filler	8	6	6	8	8
04336	1 1/2" x 1 1/2" Outside EL Filler	1	1	1	1	1
04219	2" x 2" Lazy EL Filler	1	1	1	1	1
04200(U)	Left Grecian Stair Filler	1	1			
04201(U)	Right Grecian Stair Filler	1	1			
04202	750 Series Plastic Step Filler					
----	Adjustable A-Frame	8	8	8	10	10
04188B	8' Steel Stair		1			
04151B	6' Steel Stair			1		
074185NR	8' Step-n-Rest				1	
074165NR	6' Step-n-Rest					1
PAK-75	Nut & Bolt Pak - 75 pcs					
PAK-100	Nut & Bolt Pak - 100 pcs	2	2	2	2	2
04104 / 05109	8' Light Panel					

ALL DIMENSIONS ARE FINISH DIMENSIONS

** see page A19 (full steel) & A20 (Nexus) for Straight Steel Stair Filler specifications
 ** see page A44 Steel Corner Filler specifications
 ** Coping Layouts are shown on pages: A55 (Progressive) & A82 (CP2)

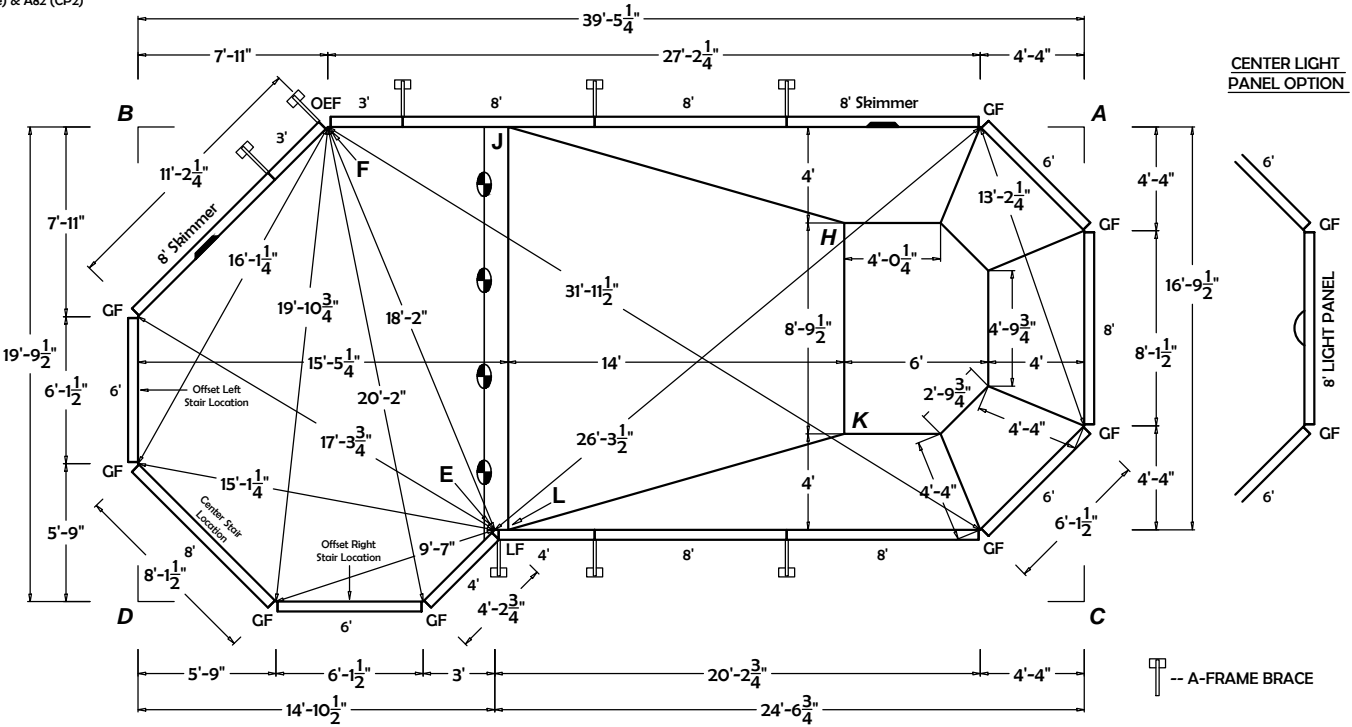
FROM A TO:	FROM B TO:
D 44'-1 1/4"	C 44'-1 1/4"
E 29'-9"	E 22'-5"
F 31'-6 1/4"	F 7'-11"
H 10'-9 1/4"	H 29'-8 1/4"
J 24'	J 15'-5 1/4"
K 16'-2 3/4"	K 32'-1"
L 29'-3 1/2"	L 22'-9 1/2"

FROM B TO:	FROM C TO:
C 44'-1 1/4"	B 44'-1 1/4"
E 22'-5"	E 24'-9"
F 7'-11"	F 37'-2 1/2"
H 29'-8 1/4"	H 18'-8 1/4"
J 15'-5 1/4"	J 31'-1 1/4"
K 32'-1"	K 12'-2 1/2"
L 22'-9 1/2"	L 24'-2 1/4"

FROM C TO:	FROM D TO:
B 44'-1 1/4"	A 44'-1 1/4"
E 24'-9"	E 15'-2"
F 37'-2 1/2"	F 21'-3 1/2"
H 18'-8 1/4"	H 33'-4 1/2"
J 31'-1 1/4"	J 25'-1"
K 12'-2 1/2"	K 30'-3"
L 24'-2 1/4"	L 15'-8 1/2"

FROM D TO:	FROM A TO:
A 44'-1 1/4"	D 44'-1 1/4"
E 15'-2"	E 29'-9"
F 21'-3 1/2"	F 31'-6 1/4"
H 33'-4 1/2"	H 10'-9 1/4"
J 25'-1"	J 24'
K 30'-3"	K 16'-2 3/4"
L 15'-8 1/2"	L 29'-3 1/2"

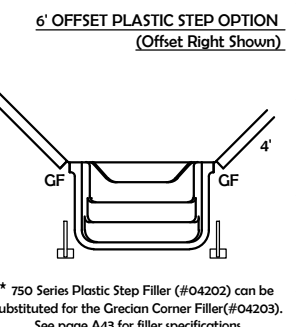
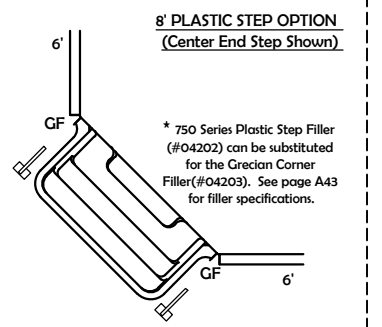
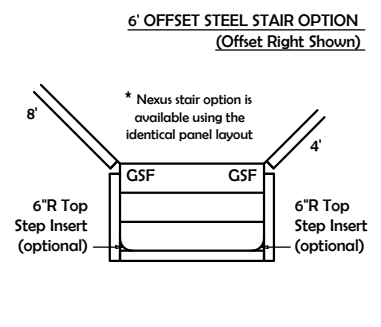
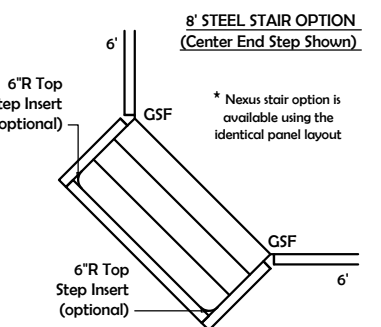
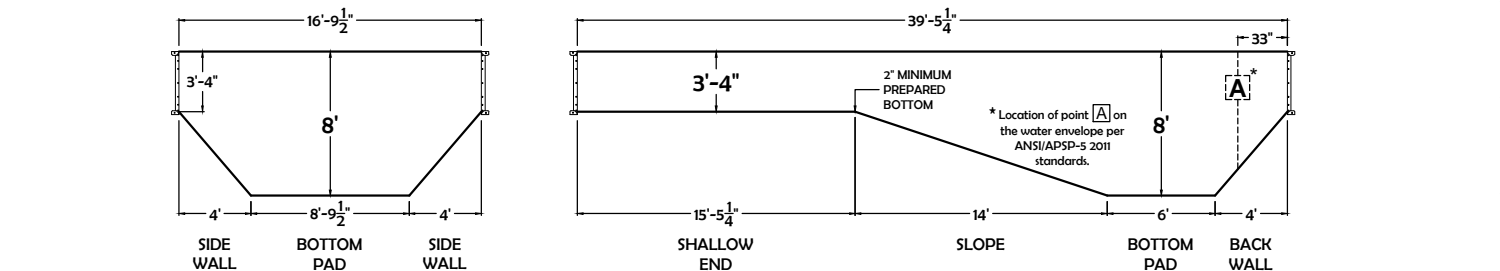
GF--GRECIAN CORNER FILLER (04203)
 LF--2" x 2" LAZY EL FILLER (04219)
 OEF--1 1/2" x 1 1/2" OUTSIDE EL FILLER (04336)
 GSF--GRECIAN STAIR FILLER (04200U / 04201U)
 PSF--750 SERIES PLASTIC STEP FILLER (04202)



DIVING PERMITTED ONLY FROM DESIGNATED DIVING AREA.
 The bottom configuration shown conforms with current ISPSC & ANSI / APSP / ICC suggested minimum standards for pools approved for use with manufactured diving equipment.

WARNING: Swimming pools can be dangerous if used improperly. Consult your dealer for information on safe use. It's the responsibility of town officials, builders and homeowners to follow safety recommendations of APSP/ANSI, local ordinances & equipment manufacturers.

- All work not specifically shown here is to be done in accordance with the requirements of the 2018 INTERNATIONAL SWIMMING POOL & SPA CODE, APSP/ANSI/ICC-5 2011 STANDARDS FOR RESIDENTIAL INGROUND SWIMMING POOLS, and all other local building codes.
- Construction Drawing: Different methods and precautions may be dictated by various ground conditions. This is to be determined by and is the responsibility of the contractor who is not an agent of the manufacturer of the component parts.
- Depth and shape of the pool meet minimum standards of the 2018 INTERNATIONAL SWIMMING POOL & SPA CODE and the APSP/ANSI/ICC-5 2011 STANDARDS FOR RESIDENTIAL INGROUND SWIMMING POOLS.
- A means of entry & exit for the deep end & shallow end of the pool must be provided in accordance with 2018 INTERNATIONAL SWIMMING POOL & SPA CODE, section 809.
- Equipotential bonding must be provided in accordance with the NATIONAL ELECTRIC CODE, NFPA 70.
- All A-frame braces are to be contained within an 8" thick continuous poured concrete (2500 psi) perimeter collar.
- Backfill with clean earth, free of roots and debris.
- Finished bottom is to be 2" minimum of suitable material or undisturbed earth.
- 3" wide, 3" thick concrete deck is to be poured at a slope of 1/8" to 1' away from the pool.
- NO DIVING labels are to be installed around the perimeter of the pool.
- A safety line, with buoys, is to be permanently attached 10' to the shallow side of the point of first slope change.
- Suction entrapment avoidance to be installed in accordance with APSP/ANSI/ICC-7



20' x 44' Left Grecian Lazy EL

Perimeter	118'-1"	page	
Surface Area	839.38 SF		
Volume	25650 gal	1 of 1	
Liner Sq. Ft.	1065.4740 SF		

ITEM #	PART DESCRIPTION	No Stairs	8' Steel - End	8' Steel - Offset	8' Plastic - End	8' Plastic - Offset
04101 / 05102	8' Plain Panel	9	9	9	8	8
04102 / 05104	8' Skimmer Panel - 1085	2	2	2	2	2
04103 / 05108	8' Return Panel	3	2	2	3	3
04114	2' Plain Panel	2	2	2	2	2
04203	Grecian Corner Filler	8	6	6	8	8
04339	4" x 4" Outside EL Filler	1	1	1	1	1
04212	Roman End Filler	1	1	1	1	1
04200(U)	Left Grecian Stair Filler		1	1		
04201(U)	Right Grecian Stair Filler		1	1		
04202	750 Series Plastic Step Filler					
----	Adjustable A-Frame	8	8	8	10	10
04188B	8' Steel Stair		1	1		
074185NR	8' Step-n-Rest				1	1
PAK-75	Nut & Bolt Pak - 75 pcs					
PAK-100	Nut & Bolt Pak - 100 pcs	2	2	2	2	2
04104 / 05109	8' Light Panel					

ALL DIMENSIONS ARE FINISH DIMENSIONS

** see page A19 (full steel) & A20 (Nexus) for Straight Steel Stair Filler specifications
 ** see page A44 Steel Corner Filler specifications
 ** Coping Layouts are shown on pages A82 (Progressive) & A55 (CP2)

FROM A TO:	
D	50'-7 1/4"
E	3'
F	32'-1 3/4"
H	10'-9 1/4"
J	24'
K	18'-6 1/2"
L	3'

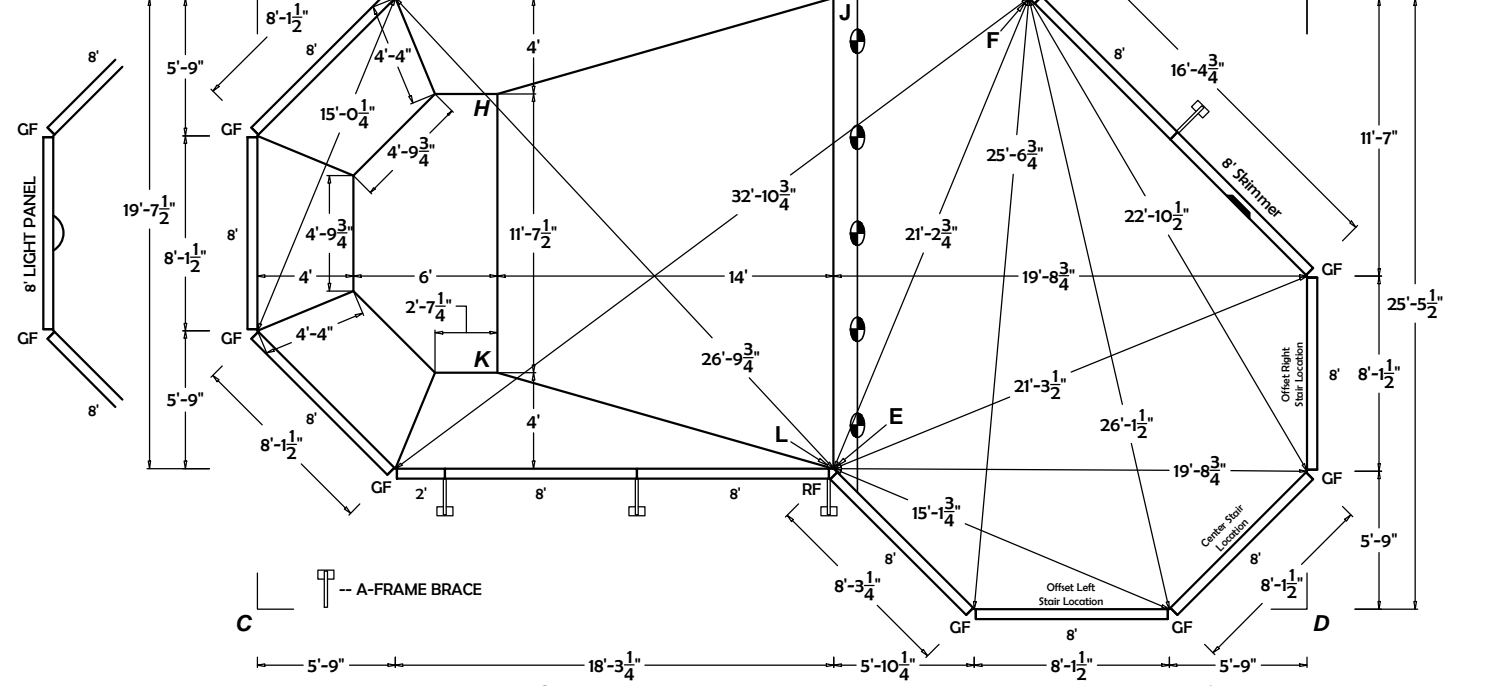
FROM B TO:	
C	50'-7 1/4"
E	27'-9 3/4"
F	11'-7"
H	33'-11 3/4"
J	19'-8 3/4"
K	37'-2"
L	27'-10"

FROM C TO:	
B	50'-7 1/4"
E	24'-8 1/2"
F	4'
H	23'-8 1/4"
J	35'
K	14'-0 1/2"
L	24'-8 1/2"

FROM D TO:	
A	50'-7 1/4"
E	20'-6 3/4"
F	27'-11 3/4"
H	39'-11 3/4"
J	32'-2 1/2"
K	35'-1 3/4"
L	20'-7"

GF--GRECIAN CORNER FILLER (#04203)
 RF--ROMAN END FILLER (#04212)
 OF4--4" x 4" OUTSIDE EL FILLER (#04339)
 GSF--GRECIAN STAIR FILLER (#04200 / #04201U)
 PSF--750 SERIES PLASTIC STEP FILLER (#04202)

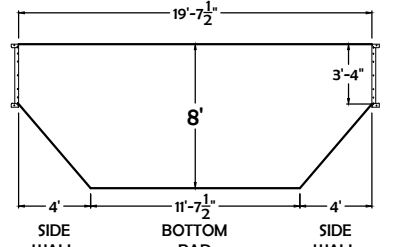
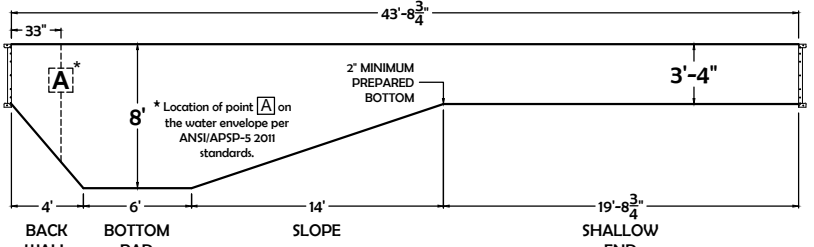
CENTER LIGHT PANEL OPTION



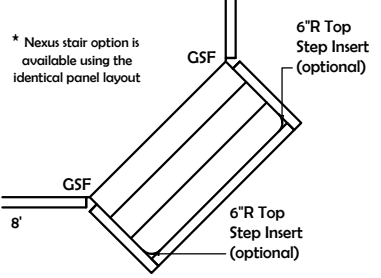
DIVING PERMITTED ONLY FROM DESIGNATED DIVING AREA.
 The bottom configuration shown conforms with current ISPC & ANSI / APSP / ICC suggested minimum standards for pools approved for use with manufactured diving equipment.

WARNING: Swimming pools can be dangerous if used improperly. Consult your dealer for information on safe use. It's the responsibility of town officials, builders and homeowners to follow safety recommendations of APSP/ANSI, local ordinances & equipment manufacturers.

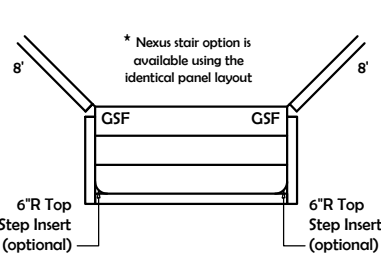
- All work not specifically shown here is to be done in accordance with the requirements of the 2018 INTERNATIONAL SWIMMING POOL & SPA CODE, APSP/ANSI/ICC-5 2011 STANDARDS FOR RESIDENTIAL INGROUND SWIMMING POOLS, and all other local building codes.
- Construction Drawing: Different methods and precautions may be dictated by various ground conditions. This is to be determined by and is the responsibility of the contractor who is not an agent of the manufacturer of the component parts.
- Depth and shape of the pool meet minimum standards of the 2018 INTERNATIONAL SWIMMING POOL & SPA CODE and the APSP/ANSI/ICC-5 2011 STANDARDS FOR RESIDENTIAL INGROUND SWIMMING POOLS.
- A means of entry & exit for the deep end & shallow end of the pool must be provided in accordance with 2018 INTERNATIONAL SWIMMING POOL & SPA CODE, section 809.
- Equipotential bonding must be provided in accordance with the NATIONAL ELECTRIC CODE, NFPA 70.
- All A-frame braces are to be contained within an 8" thick continuous poured concrete (2500 psi) perimeter collar.
- Backfill with clean earth, free of roots and debris.
- Finished bottom is to be 2" minimum of suitable material or undisturbed earth.
- 3" wide, 3" thick concrete deck is to be poured at a slope of 1/8" to 1' away from the pool.
- NO DIVING labels are to be installed around the perimeter of the pool.
- A safety line, with buoys, is to be permanently attached 10' to the shallow side of the point of first slope change.
- Suction entrapment avoidance to be installed in accordance with APSP/ANSI/ICC-7



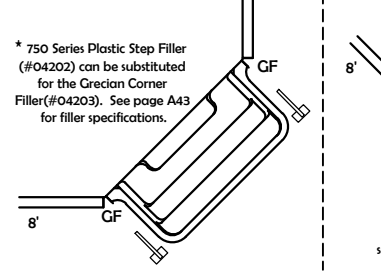
8' STEEL STAIR OPTION (Center End Step Shown)



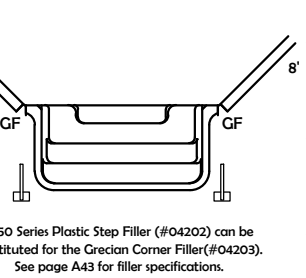
8' OFFSET STEEL STAIR OPTION (Offset Left Shown)



8' PLASTIC STEP OPTION (Center End Step Shown)



6' OFFSET PLASTIC STEP OPTION (Offset Left Shown)



* 750 Series Plastic Step Filler (#04202) can be substituted for the Grecian Corner Filler (#04203). See page A43 for filler specifications.

20' x 44' Right Grecian Lazy EL

Perimeter	118'-1"	page
Surface Area	839.38 SF	1 of 1
Volume	25650 gal	
Liner Sq. Ft.	1065.4740 SF	

ITEM #	PART DESCRIPTION	No Stairs	8' Steel - End	8' Steel - Offset	8' Plastic - End	8' Plastic - Offset
04101 / 05102	8' Plain Panel	9	9	9	8	8
04102 / 05104	8' Skimmer Panel - 1085	2	2	2	2	2
04103 / 05108	8' Return Panel	3	2	2	3	3
04114	2' Plain Panel	2	2	2	2	2
04203	Grecian Corner Filler	8	6	6	8	8
04339	4" x 4" Outside EL Filler	1	1	1	1	1
04212	Roman End Filler	1	1	1	1	1
04200(U)	Left Grecian Stair Filler		1	1		
04201(U)	Right Grecian Stair Filler		1	1		
04202	750 Series Plastic Step Filler					
----	Adjustable A-Frame	8	8	8	10	10
04188B	8' Steel Stair		1	1		
074185NR	8' Step-n-Rest				1	1
PAK-75	Nut & Bolt Pak - 75 pcs					
PAK-100	Nut & Bolt Pak - 100 pcs	2	2	2	2	2
04104 / 05109	8' Light Panel					

ALL DIMENSIONS ARE FINISH DIMENSIONS

** see page A19 (full steel) & A20 (Nexus) for Straight Steel Stair Filler specifications
 ** see page A44 Steel Corner Filler specifications
 ** Coping Layouts are shown on pages A82 (Progressive) & A55 (CP2)

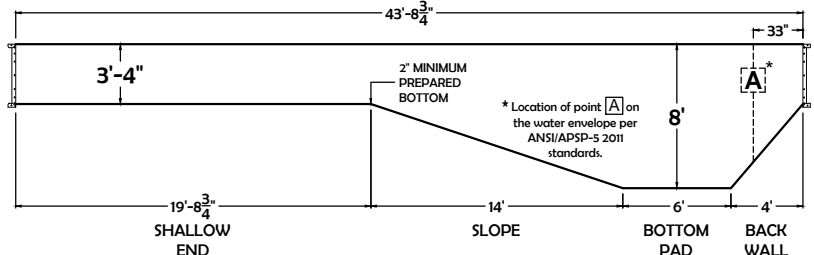
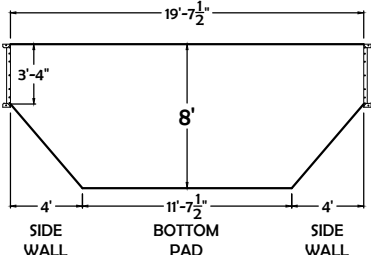
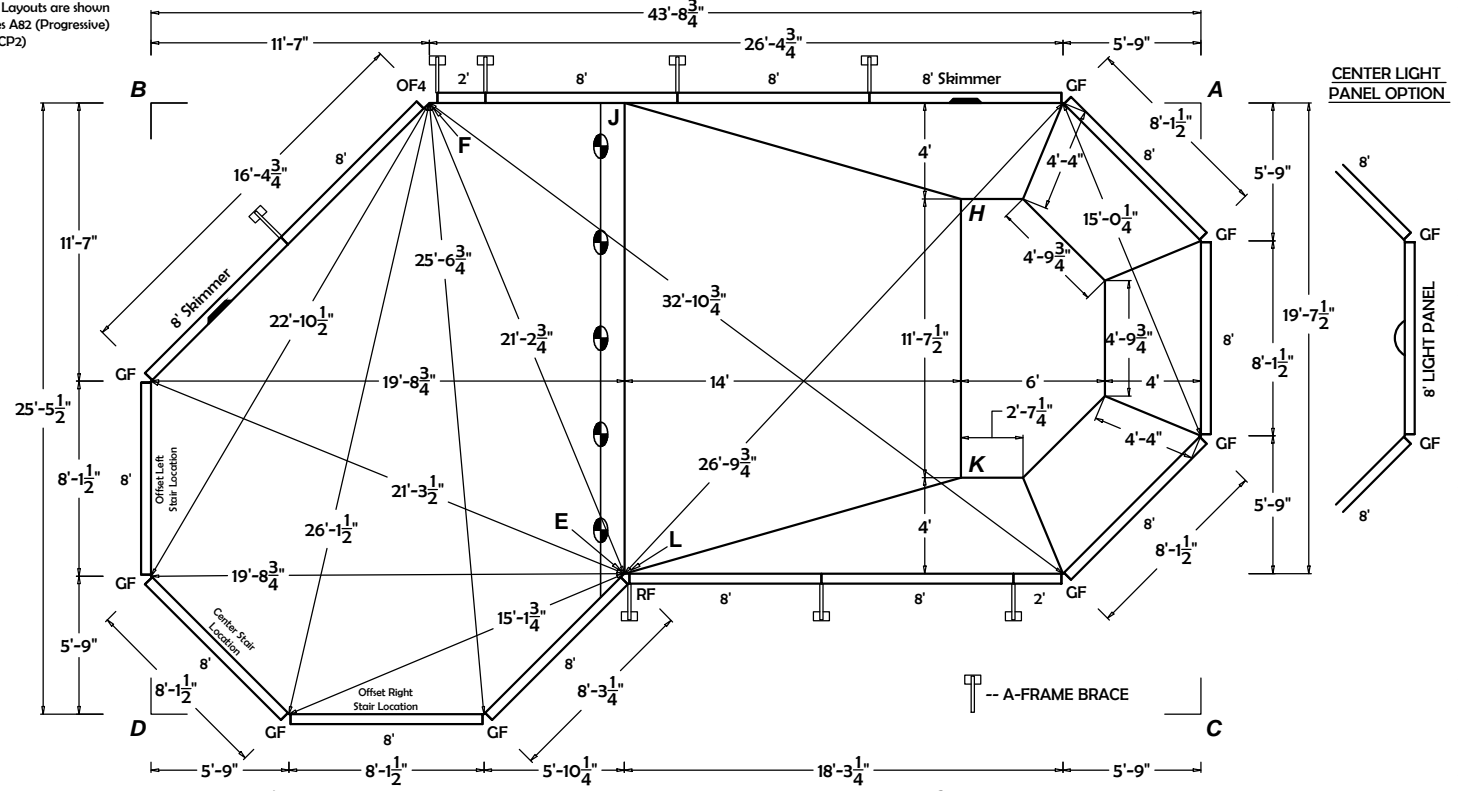
FROM A TO:	
D	50'-7 1/4"
E	31'
F	32'-1 3/4"
H	10'-9 1/4"
J	24'
K	18'-6 1/2"
L	31'

FROM B TO:	
C	50'-7 1/4"
E	27'-9 3/4"
F	11'-7"
H	33'-11 3/4"
J	19'-8 3/4"
K	37'-2"
L	27'-10"

FROM C TO:	
B	50'-7 1/4"
E	24'-8 1/2"
F	41'
H	23'-8 1/4"
J	35'
K	14'-0 1/2"
L	24'-8 1/2"

FROM D TO:	
A	50'-7 1/4"
E	20'-6 3/4"
F	27'-11 3/4"
H	39'-11 3/4"
J	32'-2 1/2"
K	35'-1 3/4"
L	20'-7"

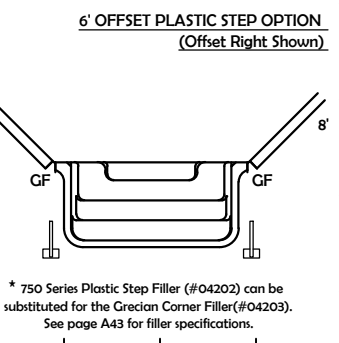
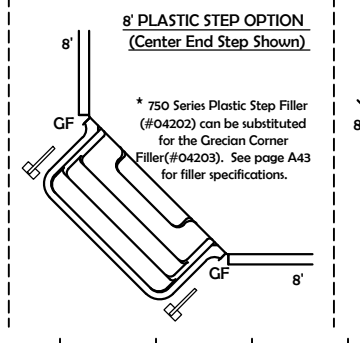
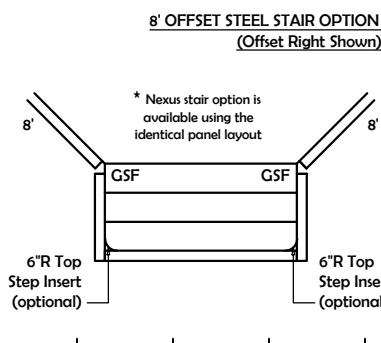
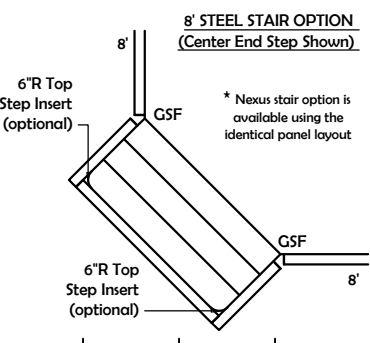
GF--GRECIAN CORNER FILLER (#04203)
 RF--ROMAN END FILLER (#04212)
 OF4--4" x 4" OUTSIDE EL FILLER (#04339)
 CSF--GRECIAN STAIR FILLER (#04200U / #04201U)
 PSF--750 SERIES PLASTIC STEP FILLER (#04202)



DIVING PERMITTED ONLY FROM DESIGNATED DIVING AREA.
 The bottom configuration shown conforms with current ISPS & ANSI / APSP / ICC suggested minimum standards for pools approved for use with manufactured diving equipment.

WARNING: Swimming pools can be dangerous if used improperly. Consult your dealer for information on safe use. It's the responsibility of town officials, builders and homeowners to follow safety recommendations of APSP/ANSI, local ordinances & equipment manufacturers.

- All work not specifically shown here is to be done in accordance with the requirements of the 2018 INTERNATIONAL SWIMMING POOL & SPA CODE, APSP/ANSI/ICC-5 2011 STANDARDS FOR RESIDENTIAL INGROUND SWIMMING POOLS, and all other local building codes.
- Construction Drawing: Different methods and precautions may be dictated by various ground conditions. This is to be determined by and is the responsibility of the contractor who is not an agent of the manufacturer of the component parts.
- Depth and shape of the pool meet minimum standards of the 2018 INTERNATIONAL SWIMMING POOL & SPA CODE and the APSP/ANSI/ICC-5 2011 STANDARDS FOR RESIDENTIAL INGROUND SWIMMING POOLS.
- A means of entry & exit for the deep end & shallow end of the pool must be provided in accordance with 2018 INTERNATIONAL SWIMMING POOL & SPA CODE, section 809.
- Equipotential bonding must be provided in accordance with the NATIONAL ELECTRIC CODE, NFPA 70.
- All A-frame braces are to be contained within an 8" thick continuous poured concrete (2500 psi) perimeter collar.
- Backfill with clean earth, free of roots and debris.
- Finished bottom is to be 2" minimum of suitable material or undisturbed earth.
- 3" wide, 3" thick concrete deck is to be poured at a slope of 1/8" to 1" away from the pool.
- NO DIVING labels are to be installed around the perimeter of the pool.
- A safety line, with buoys, is to be permanently attached 10' to the shallow side of the point of first slope change.
- Suction entrapment avoidance to be installed in accordance with APSP/ANSI/ICC-7



* 750 Series Plastic Step Filler (#04202) can be substituted for the Grecian Corner Filler (#04203). See page A43 for filler specifications.

12' x 24'

6" Radius & 90° Rectangle

Perimeter	72'	page					
Surface Area	288.00 SF	1 of 1					
Volume	7850 gal						
Liner Sq. Ft.	288.0000 SF						
ITEM #	PART DESCRIPTION	No Stairs	8' Steel - End	6' Steel - Left	6' Steel - Right	8' Plastic - End	
04101 / 05102	8' Plain Panel	5	4	5	5	4	
04102 / 05104	8' Skimmer Panel - 1085	1	1	1	1	1	
04103 / 05108	8' Return Panel	2	1	1	1	2	
04110	4' Plain Panel	2	1	2	2	1	
04114	2' Plain Panel		2	1	1	2	
04211	6" Radius Corner Filler	8	8	6	6	8	
05216	90° Corner Filler (optional)	(4)	(4)	(3)	(3)	(4)	
04206(U)	Left Rectangle Stair Filler		1	1			
04207(U)	Right Rectangle Stair Filler		1		1		
04120	5" Side Stair Panel			1	1		
----	Adjustable A-Frame	6	5	6	6	7	
04188B	8' Steel Stair		1				
04151B	6' Steel Stair			1	1		
074185NR	8' Step-n-Rest					1	
PAK-75	Nut & Bolt Pak - 75 pcs	2	2	2	2	2	
PAK-100	Nut & Bolt Pak - 100 pcs						
04104 / 05109	8' Light Panel						

ALL DIMENSIONS ARE FINISH DIMENSIONS

** see page A19 (full steel) & A20 (Nexus) for Straight Steel Stair Filler specifications
 ** see page A44 Steel Corner Filler specifications
 ** Coping Layouts are shown on pages: A56 (Progressive) & A83 (CP2)

FROM **A** TO:

D	26'-10"
H	8'-11 1/4"
J	16'
K	11'-3 3/4"
L	20'

FROM **B** TO:

C	26'-10"
H	16'-6"
J	8'
K	17'-10 3/4"
L	14'-5"

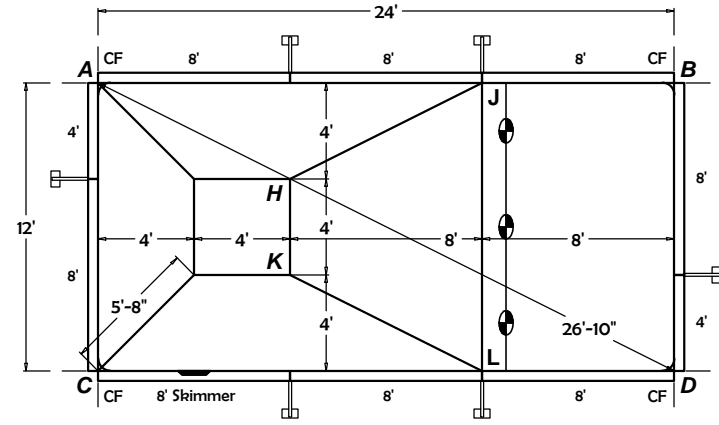
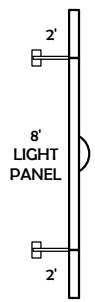
FROM **C** TO:

B	26'-10"
H	11'-3 3/4"
J	20'
K	8'-11 1/4"
L	16'

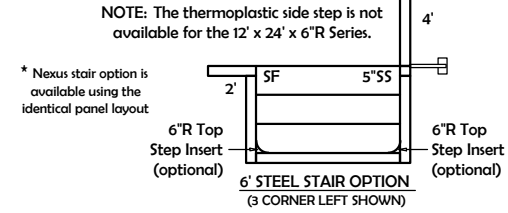
FROM **D** TO:

A	26'-10"
H	17'-10 3/4"
J	14'-5"
K	16'-6"
L	8'

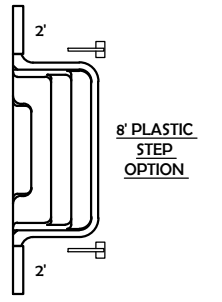
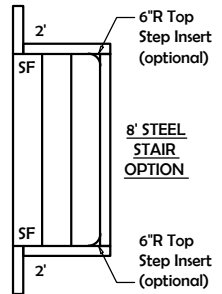
CENTER LIGHT PANEL OPTION



CF--6" RADIUS CORNER FILLER (04211)
 CF--90° CORNER FILLER (05216)
 SF--RECTANGLE STAIR FILLER (04206U / 04207U)
 5"SS--5" SIDE STAIR PANEL (04120)



* Nexus stair option is available using the identical panel layout

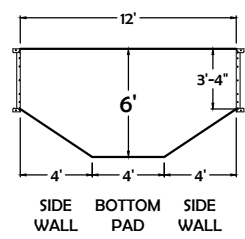
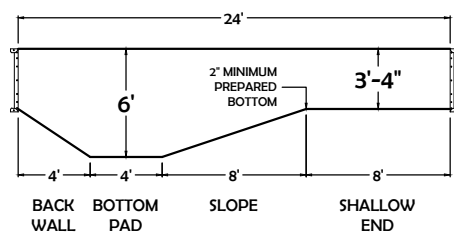


NO DIVING PERMITTED INTO THIS POOL

The bottom configuration shown conforms with current ISPSC & ANSI / APSP / ICC suggested minimum standards for pools NOT approved for diving.

WARNING: Swimming pools can be dangerous if used improperly. Consult your dealer for information on safe use. It's the responsibility of town officials, builders and homeowners to follow safety recommendations of APSP/ANSI, local ordinances & equipment manufacturers.

- All work not specifically shown here is to be done in accordance with the requirements of the 2018 INTERNATIONAL SWIMMING POOL & SPA CODE, APSP/ANSI/ICC-5 2011 STANDARDS FOR RESIDENTIAL INGROUND SWIMMING POOLS, and all other local building codes.
- Construction Drawing: Different methods and precautions may be dictated by various ground conditions. This is to be determined by and is the responsibility of the contractor who is not an agent of the manufacturer of the component parts.
- Depth and shape of the pool meet minimum standards of the 2018 INTERNATIONAL SWIMMING POOL & SPA CODE and the APSP/ANSI/ICC-5 2011 STANDARDS FOR RESIDENTIAL INGROUND SWIMMING POOLS.
- A means of entry & exit for the deep end & shallow end of the pool must be provided in accordance with 2018 INTERNATIONAL SWIMMING POOL & SPA CODE, section 809.
- Equipotential bonding must be provided in accordance with the NATIONAL ELECTRIC CODE, NFPA 70.
- All A-frame braces are to be contained within an 8" thick continuous poured concrete (2500 psi) perimeter collar.
- Backfill with clean earth, free of roots and debris.
- Finished bottom is to be 2" minimum of suitable material or undisturbed earth.
- 3" wide, 3" thick concrete deck is to be poured at a slope of 1/8" to 1' away from the pool.
- NO DIVING labels are to be installed around the perimeter of the pool.
- A safety line, with buoys, is to be permanently attached 10' to the shallow side of the point of first slope change.
- Suction entrapment avoidance to be installed in accordance with APSP/ANSI/ICC-7



INSTALLATION NOTE:
 Substitute (1) - 90° Corner Fillers (#05216) in place of (2) 6'R Corner Fillers for 90° corner pool option. See page A44 Steel Corner Filler specifications

Installer **MUST** specify what type of corners (90° OR 6'R) are desired when ordering both the pool and liner.

14' x 28'

6" Radius & 90° Rectangle

Perimeter	84'	page							
Surface Area	392.00 SF	1 of 1							
Volume	10450 gal								
Liner Sq. Ft.	392.0000 SF								
ITEM #	PART DESCRIPTION	No Stairs	8' Steel - End	6' Steel - Left	6' Steel - Right	8' Plastic - End			
04101 / 05102	8' Plain Panel	5	5	5	5	4			
04102 / 05104	8' Skimmer Panel - 1085	1	1	1	1	1			
04103 / 05108	8' Return Panel	2	1	1	1	2			
04106 / 05112	6' Plain Panel	2	1	3	3	1			
04110	4' Plain Panel	2	2	1	1	2			
04113	3' Plain Panel		2			2			
04211	6" Radius Corner Filler	8	8	6	6	8			
05216	90° Corner Filler (optional)	(4)	(4)	(3)	(3)	(4)			
04206(U)	Left Rectangle Stair Filler		1	1					
04207(U)	Right Rectangle Stair Filler		1		1				
04120	5" Side Stair Panel			1	1				
----	Adjustable A-Frame	8	7	7	7	9			
04188B	8' Steel Stair		1						
04151B	6' Steel Stair			1	1				
074185NR	8' Step-n-Rest					1			
PAK-75	Nut & Bolt Pak - 75 pcs								
PAK-100	Nut & Bolt Pak - 100 pcs	2	2	2	2	2			
04104 / 05109	8' Light Panel								

ALL DIMENSIONS ARE FINISH DIMENSIONS

** see page A19 (full steel) & A20 (Nexus) for Straight Steel Stair Filler specifications
 ** see page A44 Steel Corner Filler specifications
 ** Coping Layouts are shown on pages: A56 (Progressive) & A83 (CP2)

FROM **A** TO:

D	31'-3 3/4"
H	8'-11 1/4"
J	20'
K	12'-9 3/4"
L	24'-5"

FROM **B** TO:

C	31'-3 3/4"
H	20'-4 3/4"
J	8'
K	22'-4 1/4"
L	16'-1 1/2"

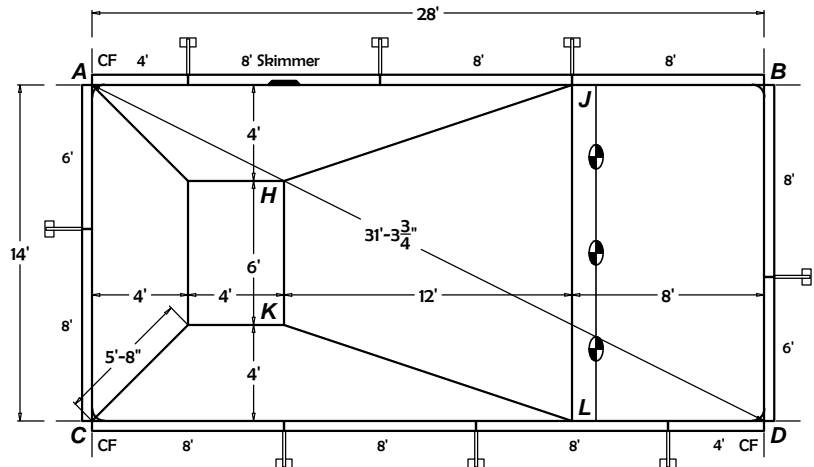
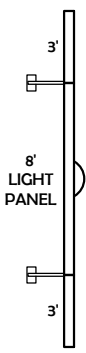
FROM **C** TO:

B	31'-3 3/4"
H	12'-9 3/4"
J	24'-5"
K	8'-11 1/4"
L	20'

FROM **D** TO:

A	31'-3 3/4"
H	22'-4 1/4"
J	16'-1 1/2"
K	20'-4 3/4"
L	8'

CENTER LIGHT PANEL OPTION

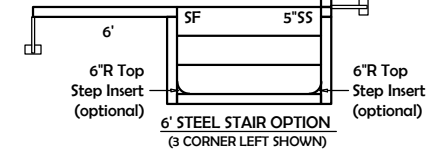


-- A-FRAME BRACE

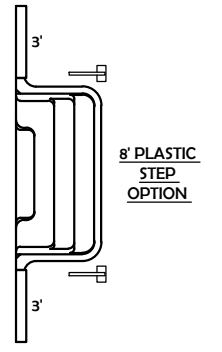
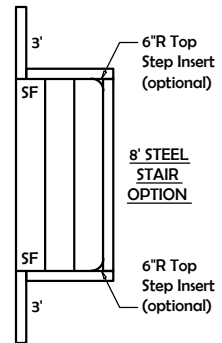
CF--6" RADIUS CORNER FILLER (04211)
 CF--90° CORNER FILLER (05216)
 SF--RECTANGLE STAIR FILLER (04206U / 04207U)
 5"SS--5" SIDE STAIR PANEL (04120)

* Nexus stair option is available using the identical panel layout

NOTE: The thermoplastic side step is not available for the 14' x 28' x 6"R Series.



* Nexus stair option is available using the identical panel layout

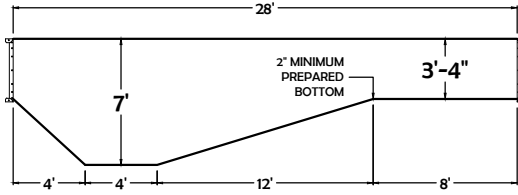


NO DIVING PERMITTED INTO THIS POOL

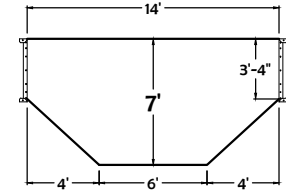
The bottom configuration shown conforms with current ISPS & ANSI / APSP / ICC suggested minimum standards for pools NOT approved for diving.

WARNING: Swimming pools can be dangerous if used improperly. Consult your dealer for information on safe use. It's the responsibility of town officials, builders and homeowners to follow safety recommendations of APSP/ANSI, local ordinances & equipment manufacturers.

- All work not specifically shown here is to be done in accordance with the requirements of the 2018 INTERNATIONAL SWIMMING POOL & SPA CODE, APSP/ANSI/ICC-5 2011 STANDARDS FOR RESIDENTIAL INGROUND SWIMMING POOLS, and all other local building codes.
- Construction Drawing: Different methods and precautions may be dictated by various ground conditions. This is to be determined by and is the responsibility of the contractor who is not an agent of the manufacturer of the component parts.
- Depth and shape of the pool meet minimum standards of the 2018 INTERNATIONAL SWIMMING POOL & SPA CODE and the APSP/ANSI/ICC-5 2011 STANDARDS FOR RESIDENTIAL INGROUND SWIMMING POOLS.
- A means of entry & exit for the deep end & shallow end of the pool must be provided in accordance with 2018 INTERNATIONAL SWIMMING POOL & SPA CODE, section 809.
- Equipotential bonding must be provided in accordance with the NATIONAL ELECTRIC CODE, NFPA 70.
- All A-frame braces are to be contained within an 8" thick continuous poured concrete (2500 psi) perimeter collar.
- Backfill with clean earth, free of roots and debris.
- Finished bottom is to be 2" minimum of suitable material or undisturbed earth.
- 3" wide, 3" thick concrete deck is to be poured at a slope of 1/4" to 1' away from the pool.
- NO DIVING labels are to be installed around the perimeter of the pool.
- A safety line, with buoys, is to be permanently attached 10' to the shallow side of the point of first slope change.
- Suction entrapment avoidance to be installed in accordance with APSP/ANSI/ICC-7



BACK WALL BOTTOM PAD SLOPE SHALLOW END



SIDE WALL BOTTOM PAD SIDE WALL

INSTALLATION NOTE:
 Substitute (1) - 90° Corner Fillers (#05216) in place of (2) 6"R Corner Fillers for 90° corner pool option. See page A44 Steel Corner Filler specifications

Installer **MUST** specify what type of corners (90° OR 6"R) are desired when ordering both the pool and liner.

16' x 32'

6" Radius & 90° Rectangle

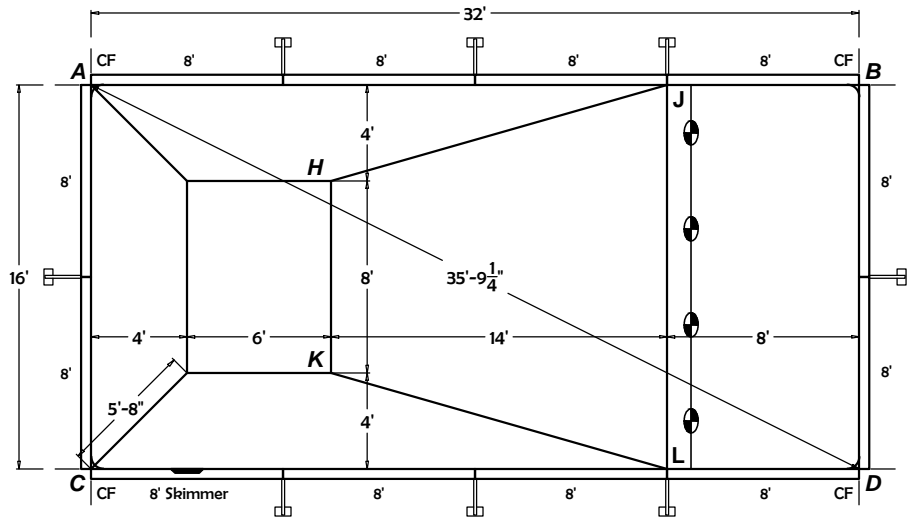
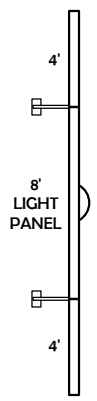
Perimeter	96'	page 1 of 1	No Stairs	8' Steel - End	6' Steel - Left	6' Steel - Right	8' Plastic - End
Surface Area	512.00 SF						
Volume	17550 gal						
Liner Sq. Ft.	512.0000 SF						
ITEM #	PART DESCRIPTION						
04101 / 05102	8' Plain Panel	9	8	9	9	7	
04102 / 05104	8' Skimmer Panel - 1085	1	1	1	1	1	
04103 / 05108	8' Return Panel	2	1	1	1	2	
04110	4' Plain Panel		2			2	
04114	2' Plain Panel			1	1		
04211	6" Radius Corner Filler	8	8	6	6	8	
05216	90° Corner Filler (optional)	(4)	(4)	(3)	(3)	(4)	
04206(U)	Left Rectangle Stair Filler		1	1			
04207(U)	Right Rectangle Stair Filler		1		1		
04120	5" Side Stair Panel			1	1		
----	Adjustable A-Frame	8	7	8	8	9	
04188B	8' Steel Stair		1				
04151B	6' Steel Stair			1	1		
074185NR	8' Step-n-Rest					1	
PAK-75	Nut & Bolt Pak - 75 pcs						
PAK-100	Nut & Bolt Pak - 100 pcs	2	2	2	2	2	
04104 / 05109	8' Light Panel						

ALL DIMENSIONS ARE FINISH DIMENSIONS

** see page A19 (full steel) & A20 (Nexus) for Straight Steel Stair Filler specifications
 ** see page A44 Steel Corner Filler specifications
 ** Coping Layouts are shown on pages: A56 (Progressive) & A83 (CP2)

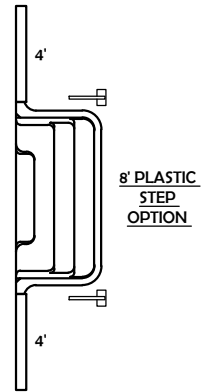
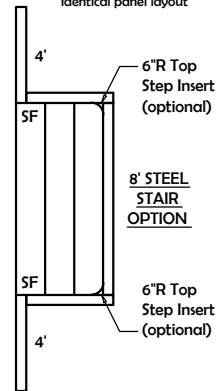
FROM A TO:		FROM B TO:		FROM C TO:		FROM D TO:	
D	35'-9 1/4"	C	35'-9 1/4"	B	35'-9 1/4"	A	35'-9 1/4"
H	10'-9 1/4"	H	22'-4 1/4"	H	15'-7 1/2"	H	25'-0 3/4"
J	24"	J	8"	J	28'-10 1/4"	J	17'-10 3/4"
K	15'-7 1/2"	K	25'-0 3/4"	K	10'-9 1/4"	K	22'-4 1/4"
L	28'-10 1/4"	L	17'-10 3/4"	L	24"	L	8"

CENTER LIGHT PANEL OPTION

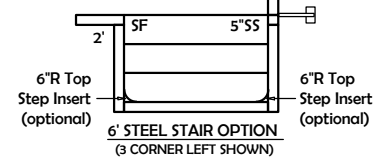


-- A-FRAME BRACE
 CF--6" RADIUS CORNER FILLER (04211)
 CF--90° CORNER FILLER (05216)
 SF--RECTANGLE STAIR FILLER (04206U / 04207U)
 5"SS--5" SIDE STAIR PANEL (04120)

* Nexus stair option is available using the identical panel layout



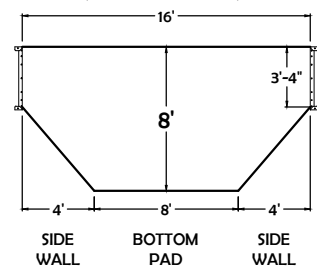
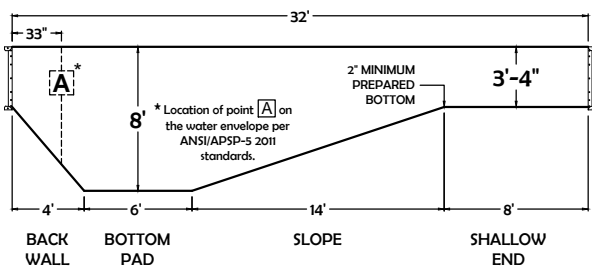
* Nexus stair option is available using the identical panel layout
 NOTE: The thermoplastic side step is not available for the 16' x 32' x 6"R Series.



DIVING PERMITTED ONLY FROM DESIGNATED DIVING AREA.
 The bottom configuration shown conforms with current ISPSA & ANSI / APSP / ICC suggested minimum standards for pools approved for use with manufactured diving equipment.

WARNING: Swimming pools can be dangerous if used improperly. Consult your dealer for information on safe use. It's the responsibility of town officials, builders and homeowners to follow safety recommendations of APSP/ANSI, local ordinances & equipment manufacturers.

- All work not specifically shown here is to be done in accordance with the requirements of the 2018 INTERNATIONAL SWIMMING POOL & SPA CODE, APSP/ANSI/ICC-5 2011 STANDARDS FOR RESIDENTIAL INGROUND SWIMMING POOLS, and all other local building codes.
- Construction Drawing: Different methods and precautions may be dictated by various ground conditions. This is to be determined by and is the responsibility of the contractor who is not an agent of the manufacturer of the component parts.
- Depth and shape of the pool meet minimum standards of the 2018 INTERNATIONAL SWIMMING POOL & SPA CODE and the APSP/ANSI/ICC-5 2011 STANDARDS FOR RESIDENTIAL INGROUND SWIMMING POOLS.
- A means of entry & exit for the deep end & shallow end of the pool must be provided in accordance with 2018 INTERNATIONAL SWIMMING POOL & SPA CODE, section 809.
- Equipotential bonding must be provided in accordance with the NATIONAL ELECTRIC CODE, NFPA 70.
- All A-frame braces are to be contained within an 8" thick continuous poured concrete (2500 psi) perimeter collar.
- Backfill with clean earth, free of roots and debris.
- Finished bottom is to be 2" minimum of suitable material or undisturbed earth.
- 3" wide, 3" thick concrete deck is to be poured at a slope of 1/4" to 1' away from the pool.
- NO DIVING labels are to be installed around the perimeter of the pool.
- A safety line, with buoys, is to be permanently attached 10' to the shallow side of the point of first slope change.
- Suction entrapment avoidance to be installed in accordance with APSP/ANSI/ICC-7



INSTALLATION NOTE:
 Substitute (1) - 90° Corner Fillers (#05216) in place of (2) 6"R Corner Fillers for 90° corner pool option. See page A44 Steel Corner Filler specifications

Installer **MUST** specify what type of corners (90° OR 6"R) are desired when ordering both the pool and liner.

16' x 36'

6" Radius & 90° Rectangle

Perimeter	104'	page 1 of 1	No Stairs	8' Steel - End	8' Steel - Left	8' Steel - Right	8' Plastic - End	8' Plastic - Side
Surface Area	576.00 SF							
Volume	18900 gal							
Liner Sq. Ft.	576.0000 SF							
ITEM #	PART DESCRIPTION							
04101 / 05102	8' Plain Panel	9	8	9	9	7	8	
04102 / 05104	8' Skimmer Panel - 1085	1	1	1	1	1	1	
04103 / 05108	8' Return Panel	2	1	1	1	2	2	
04110	4' Plain Panel	2	4	2	2	4	1	
04114	2' Plain Panel							2
04211	6" Radius Corner Filler	8	8	6	6	8	8	
05216	90° Corner Filler (optional)	(4)	(4)	(3)	(3)	(4)	(4)	
04206(U)	Left Rectangle Stair Filler		1	1				
04207(U)	Right Rectangle Stair Filler		1	1				
04120	5" Side Stair Panel			1	1			
----	Adjustable A-Frame	10	9	10	10	11	11	
04188B	8' Steel Stair		1	1	1			
074185NR	8' Step-n-Rest					1	1	
PAK-75	Nut & Bolt Pak - 75 pcs							
PAK-100	Nut & Bolt Pak - 100 pcs	2	2	2	2	2	2	
04104 / 05109	8' Light Panel							

ALL DIMENSIONS ARE FINISH DIMENSIONS

** see page A19 (full steel) & A20 (Nexus) for Straight Steel Stair Filler specifications
 ** see page A44 Steel Corner Filler specifications
 ** Coping Layouts are shown on pages A57 (Progressive) & A84 (CP2)

FROM **A** TO:

D	39'-4 3/4"
H	10'-9 1/4"
J	24'
K	15'-7 1/2"
L	28'-10 1/4"

FROM **B** TO:

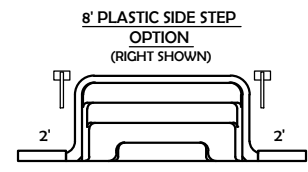
C	39'-4 3/4"
H	26'-3 3/4"
J	12'
K	28'-7 3/4"
L	20'

FROM **C** TO:

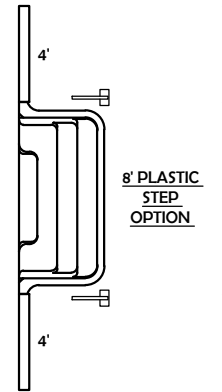
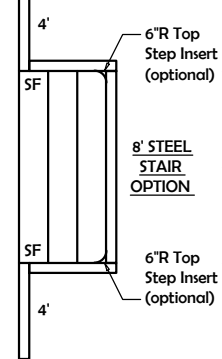
B	39'-4 3/4"
H	15'-7 1/2"
J	28'-10 1/4"
K	10'-9 1/4"
L	24'

FROM **D** TO:

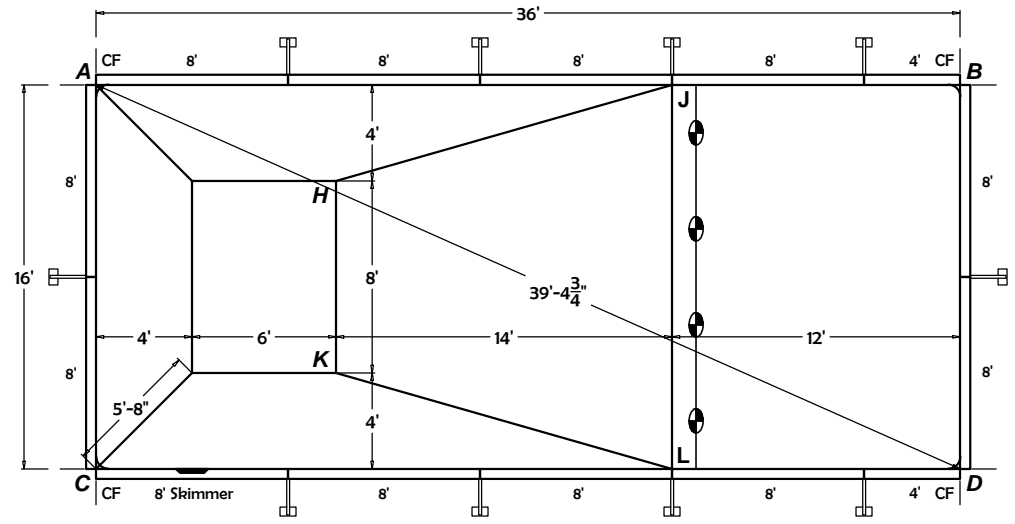
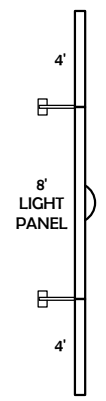
A	39'-4 3/4"
H	28'-7 3/4"
J	20'
K	26'-3 3/4"
L	12'



* Nexus stair option is available using the identical panel layout

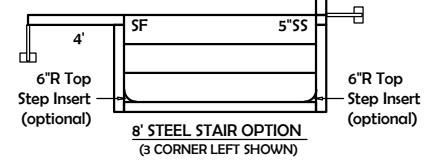


CENTER LIGHT PANEL OPTION



CF--6" RADIUS CORNER FILLER (04211)
 CF--90° CORNER FILLER (05216)
 SF--RECTANGLE STAIR FILLER (04206U / 04207U)
 5"SS--5" SIDE STAIR PANEL (04120)

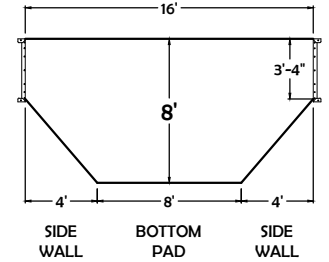
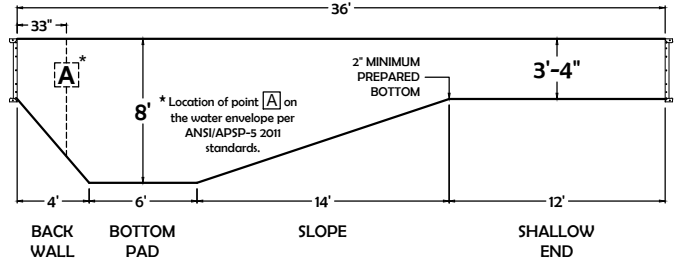
* Nexus stair option is available using the identical panel layout



DIVING PERMITTED ONLY FROM DESIGNATED DIVING AREA.
 The bottom configuration shown conforms with current ISPC & ANSI / APSP / ICC suggested minimum standards for pools approved for use with manufactured diving equipment.

WARNING: Swimming pools can be dangerous if used improperly. Consult your dealer for information on safe use. It's the responsibility of town officials, builders and homeowners to follow safety recommendations of APSP/ANSI, local ordinances & equipment manufacturers.

- All work not specifically shown here is to be done in accordance with the requirements of the 2018 INTERNATIONAL SWIMMING POOL & SPA CODE, APSP/ANSI/ICC-5 2011 STANDARDS FOR RESIDENTIAL INGROUND SWIMMING POOLS, and all other local building codes.
- Construction Drawing: Different methods and precautions may be dictated by various ground conditions. This is to be determined by and is the responsibility of the contractor who is not an agent of the manufacturer of the component parts.
- Depth and shape of the pool meet minimum standards of the 2018 INTERNATIONAL SWIMMING POOL & SPA CODE and the APSP/ANSI/ICC-5 2011 STANDARDS FOR RESIDENTIAL INGROUND SWIMMING POOLS.
- A means of entry & exit for the deep end & shallow end of the pool must be provided in accordance with 2018 INTERNATIONAL SWIMMING POOL & SPA CODE, section 809.
- Equipotential bonding must be provided in accordance with the NATIONAL ELECTRIC CODE, NFPA 70.
- All A-frame braces are to be contained within an 8" thick continuous poured concrete (2500 psi) perimeter collar.
- Backfill with clean earth, free of roots and debris.
- Finished bottom is to be 2" minimum of suitable material or undisturbed earth.
- 3" wide, 3" thick concrete deck is to be poured at a slope of 1/4" to 1' away from the pool.
- NO DIVING labels are to be installed around the perimeter of the pool.
- A safety line, with buoys, is to be permanently attached 10' to the shallow side of the point of first slope change.
- Suction entrapment avoidance to be installed in accordance with APSP/ANSI/ICC-7



INSTALLATION NOTE:
 Substitute (1) - 90° Corner Fillers (#05216) in place of (2) 6'R Corner Fillers for 90° corner pool option. See page A44 Steel Corner Filler specifications

Installer **MUST** specify what type of corners (90° OR 6'R) are desired when ordering both the pool and liner.

18' x 36'

6" Radius & 90° Rectangle

Perimeter	108'	page 1 of 1
Surface Area	648.00 SF	
Volume	21500 gal	
Liner Sq. Ft.	648.0000 SF	

ITEM #	PART DESCRIPTION	No Stairs	8" Steel - End	8" Steel - Left	8" Steel - Right	8" Plastic - End	8" Plastic - Side
04101 / 05102	8' Plain Panel	9	8	9	9	7	8
04102 / 05104	8' Skimmer Panel - 1085	1	1	1	1	1	1
04103 / 05108	8' Return Panel	2	1	1	1	2	2
04107	5' Plain Panel		2			2	
04110	4' Plain Panel	2	2	2	2	2	1
04114	2' Plain Panel	2	1	2	2	1	4
04211	6" Radius Corner Filler	8	8	6	6	8	8
05216	90° Corner Filler (optional)	(4)	(4)	(3)	(3)	(4)	(4)
04206(U)	Left Rectangle Stair Filler		1	1			
04207(U)	Right Rectangle Stair Filler		1		1		
04120	5" Side Stair Panel			1	1		
----	Adjustable A-Frame	12	10	9	9	12	13
04188B	8" Steel Stair		1	1	1		
074185NR	8" Step-n-Rest					1	1
PAK-75	Nut & Bolt Pak - 75 pcs	3	3	3	3	3	3
PAK-100	Nut & Bolt Pak - 100 pcs						
04104 / 05109	8' Light Panel						

ALL DIMENSIONS ARE FINISH DIMENSIONS

** see page A19 (full steel) & A20 (Nexus) for Straight Steel Stair Filler specifications
 ** see page A44 Steel Corner Filler specifications
 ** Coping Layouts are shown on pages A57 - A58 (Progressive) & A84 - A85 (CP2)

FROM **A** TO:

D	40'-3"
H	10'-9 1/4"
J	24'
K	17'-2 1/2"
L	30'

FROM **B** TO:

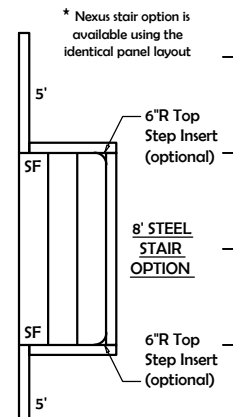
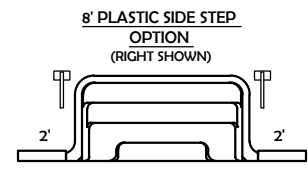
C	40'-3"
H	26'-3 3/4"
J	12'
K	29'-6 1/4"
L	21'-7 1/2"

FROM **C** TO:

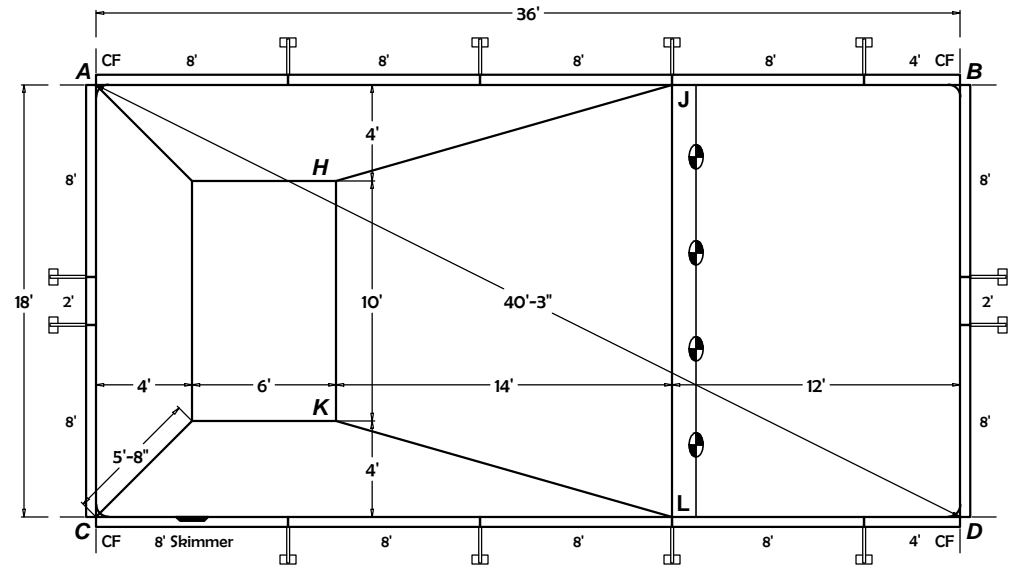
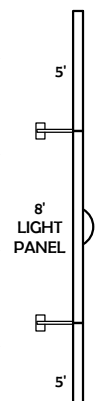
B	40'-3"
H	17'-2 1/2"
J	30'
K	10'-9 1/4"
L	24'

FROM **D** TO:

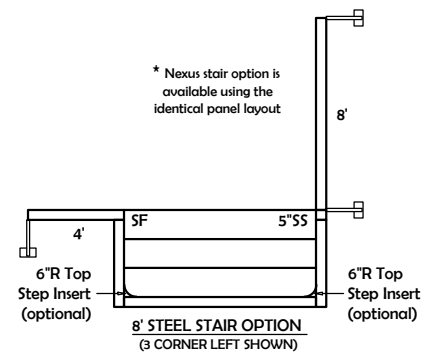
A	40'-3"
H	29'-6 1/4"
J	21'-7 1/2"
K	26'-3 3/4"
L	12'



CENTER LIGHT PANEL OPTION



CF--6" RADIUS CORNER FILLER (04211)
 CF--90° CORNER FILLER (05216)
 SF--RECTANGLE STAIR FILLER (04206U / 04207U)
 5"SS--5" SIDE STAIR PANEL (04120)

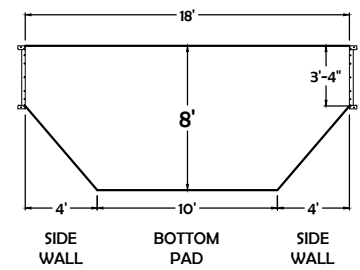
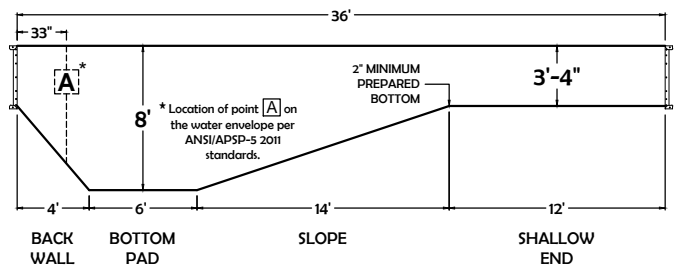


* Nexus stair option is available using the identical panel layout

DIVING PERMITTED ONLY FROM DESIGNATED DIVING AREA.
 The bottom configuration shown conforms with current ISPSC & ANSI / APSP / ICC suggested minimum standards for pools approved for use with manufactured diving equipment.

WARNING: Swimming pools can be dangerous if used improperly. Consult your dealer for information on safe use. It's the responsibility of town officials, builders and homeowners to follow safety recommendations of APSP/ANSI, local ordinances & equipment manufacturers.

- All work not specifically shown here is to be done in accordance with the requirements of the 2018 INTERNATIONAL SWIMMING POOL & SPA CODE, APSP/ANSI/ICC-5 2011 STANDARDS FOR RESIDENTIAL INGROUND SWIMMING POOLS, and all other local building codes.
- Construction Drawing: Different methods and precautions may be dictated by various ground conditions. This is to be determined by and is the responsibility of the contractor who is not an agent of the manufacturer of the component parts.
- Depth and shape of the pool meet minimum standards of the 2018 INTERNATIONAL SWIMMING POOL & SPA CODE and the APSP/ANSI/ICC-5 2011 STANDARDS FOR RESIDENTIAL INGROUND SWIMMING POOLS.
- A means of entry & exit for the deep end & shallow end of the pool must be provided in accordance with 2018 INTERNATIONAL SWIMMING POOL & SPA CODE, section 809.
- Equipotential bonding must be provided in accordance with the NATIONAL ELECTRIC CODE, NFPA 70.
- All A-frame braces are to be contained within an 8" thick continuous poured concrete (2500 psi) perimeter collar.
- Backfill with clean earth, free of roots and debris.
- Finished bottom is to be 2" minimum of suitable material or undisturbed earth.
- 3" wide, 3" thick concrete deck is to be poured at a slope of 1/4" to 1' away from the pool.
- NO DIVING labels are to be installed around the perimeter of the pool.
- A safety line, with buoys, is to be permanently attached 10' to the shallow side of the point of first slope change.
- Suction entrapment avoidance to be installed in accordance with APSP/ANSI/ICC-7



INSTALLATION NOTE:
 Substitute (1) - 90° Corner Fillers (#05216) in place of (2) 6'R Corner Fillers for 90° corner pool option. See page A44 Steel Corner Filler specifications

Installer **MUST** specify what type of corners (90° OR 6'R) are desired when ordering both the pool and liner.

20' x 40'

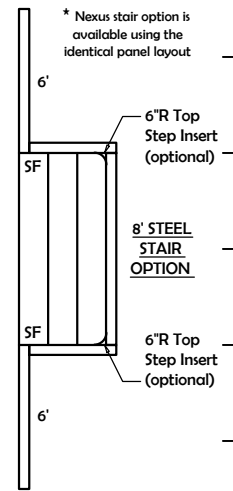
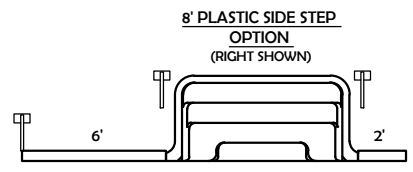
6" Radius & 90° Rectangle

Perimeter	120'	page							
Surface Area	800.00 SF	1 of 1							
Volume	28000 gal								
Liner Sq. Ft.	800.0000 SF								
ITEM #	PART DESCRIPTION	No Stairs	8" Steel - End	8" Steel - Left	8" Steel - Right	8" Plastic - End	8" Plastic - Side		
04101 / 05102	8' Plain Panel	9	8	9	9	7	7		
04102 / 05104	8' Skimmer Panel - 1085	2	2	2	2	2	2		
04103 / 05108	8' Return Panel	3	2	2	2	3	3		
04106 / 05112	6' Plain Panel		2			2	1		
04110	4' Plain Panel	2	1	2	2	1	2		
04114	2' Plain Panel						1		
04211	6" Radius Corner Filler	8	8	6	6	8	8		
05216	90° Corner Filler (optional)	(4)	(4)	(3)	(3)	(4)	(4)		
04206(U)	Left Rectangle Stair Filler		1	1					
04207(U)	Right Rectangle Stair Filler		1		1				
04120	5" Side Stair Panel			1	1				
----	Adjustable A-Frame	12	9	11	11	12	13		
04188B	8' Steel Stair		1	1	1				
074185NR	8' Step-n-Rest					1	1		
PAK-75	Nut & Bolt Pak - 75 pcs	3	3	3	3	3	3		
PAK-100	Nut & Bolt Pak - 100 pcs								
04104 / 05109	8' Light Panel								

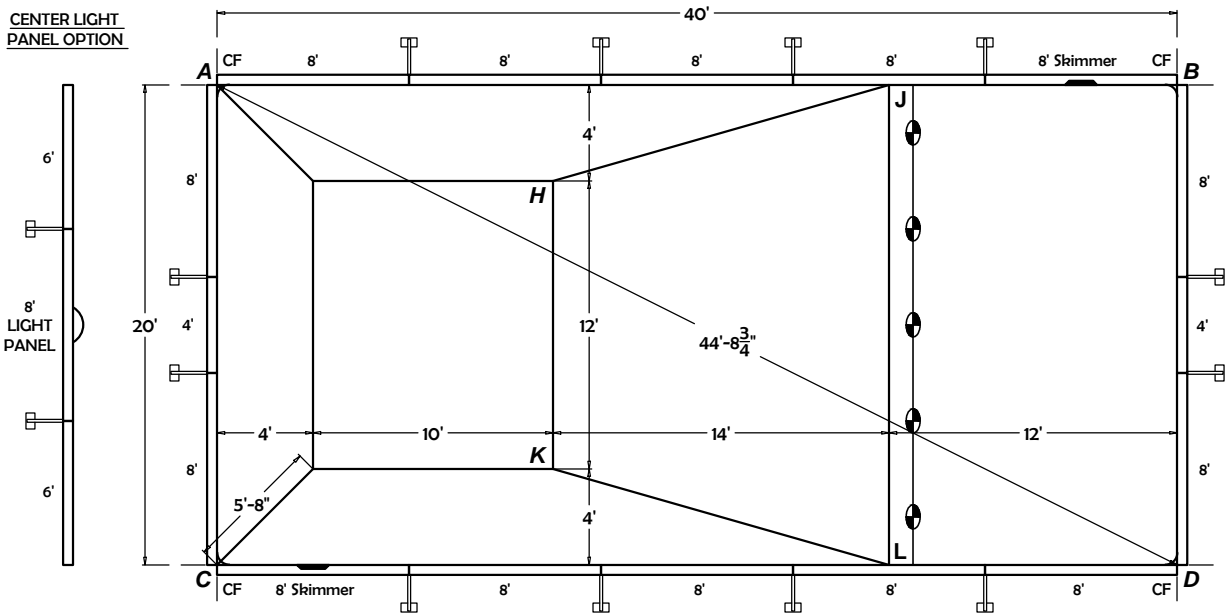
ALL DIMENSIONS ARE FINISH DIMENSIONS

** see page A19 (full steel) & A20 (Nexus) for Straight Steel Stair Filler specifications
 ** see page A44 Steel Corner Filler specifications
 ** Coping Layouts are shown on pages A58 (Progressive) & A85 (CP2)

FROM A TO:		FROM B TO:		FROM C TO:		FROM D TO:	
D	44'-8 3/4"	C	44'-8 3/4"	B	44'-8 3/4"	A	44'-8 3/4"
H	14'-6 3/4"	H	26'-3 3/4"	H	21'-3"	H	30'-6 1/4"
J	28'	J	12'	J	34'-5"	J	23'-4"
K	21'-3"	K	30'-6 1/4"	K	14'-6 3/4"	K	26'-3 3/4"
L	34'-5"	L	23'-4"	L	28'	L	12'

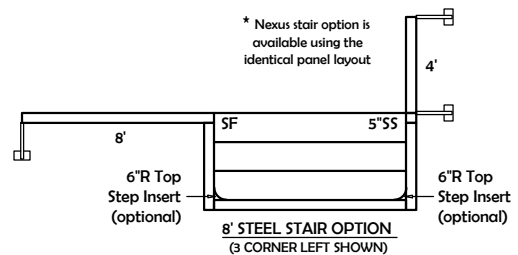


CENTER LIGHT PANEL OPTION



-- A-FRAME BRACE

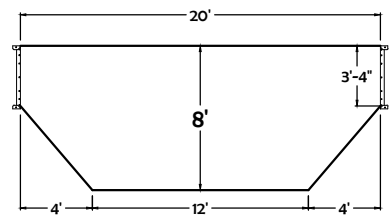
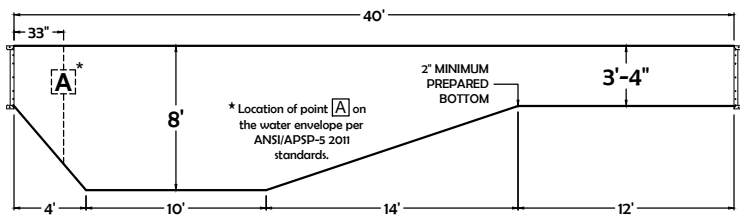
CF--6" RADIUS CORNER FILLER (04211)
 CF--90° CORNER FILLER (05216)
 SF--RECTANGLE STAIR FILLER (04206U / 04207U)
 5"SS--5" SIDE STAIR PANEL (04120)



DIVING PERMITTED ONLY FROM DESIGNATED DIVING AREA.
 The bottom configuration shown conforms with current ISPSC & ANSI / APSP / ICC suggested minimum standards for pools approved for use with manufactured diving equipment.

WARNING: Swimming pools can be dangerous if used improperly. Consult your dealer for information on safe use. It's the responsibility of town officials, builders and homeowners to follow safety recommendations of APSP/ANSI, local ordinances & equipment manufacturers.

- All work not specifically shown here is to be done in accordance with the requirements of the 2018 INTERNATIONAL SWIMMING POOL & SPA CODE, APSP/ANSI/ICC-5 2011 STANDARDS FOR RESIDENTIAL INGROUND SWIMMING POOLS, and all other local building codes.
- Construction Drawing: Different methods and precautions may be dictated by various ground conditions. This is to be determined by and is the responsibility of the contractor who is not an agent of the manufacturer of the component parts.
- Depth and shape of the pool meet minimum standards of the 2018 INTERNATIONAL SWIMMING POOL & SPA CODE and the APSP/ANSI/ICC-5 2011 STANDARDS FOR RESIDENTIAL INGROUND SWIMMING POOLS.
- A means of entry & exit for the deep end & shallow end of the pool must be provided in accordance with 2018 INTERNATIONAL SWIMMING POOL & SPA CODE, section 809.
- Equipotential bonding must be provided in accordance with the NATIONAL ELECTRIC CODE, NFPA 70.
- All A-frame braces are to be contained within an 8" thick continuous poured concrete (2500 psi) perimeter collar.
- Backfill with clean earth, free of roots and debris.
- Finished bottom is to be 2" minimum of suitable material or undisturbed earth.
- 3" wide, 3" thick concrete deck is to be poured at a slope of 1/4" to 1' away from the pool.
- NO DIVING labels are to be installed around the perimeter of the pool.
- A safety line, with buoys, is to be permanently attached 10' to the shallow side of the point of first slope change.
- Suction entrapment avoidance to be installed in accordance with APSP/ANSI/ICC-7



INSTALLATION NOTE:
 Substitute (1) - 90° Corner Fillers (#05216) in place of (2) 6'R Corner Fillers for 90° corner pool option. See page A44 Steel Corner Filler specifications

Installer MUST specify what type of corners (90° OR 6'R) are desired when ordering both the pool and liner.

16' x 38' x 24' Left 6" Radius & 90° True EL

Perimeter	124'	page 1 of 1
Surface Area	704.00 SF	
Volume	21600 gal	
Liner Sq. Ft.	704.0000 SF	

ITEM #	PART DESCRIPTION	No Stairs	8' Steel - End	8' Plastic - End
04101 / 05102	8' Plain Panel	9	8	7
04102 / 05104	8' Skimmer Panel - 1085	2	2	2
04103 / 05108	8' Return Panel	3	2	3
04106 / 05112	6' Plain Panel	1	1	1
04110	4' Plain Panel	1		
04114	2' Plain Panel		2	2
04126	1'6" Plain Panel	1	1	1
04211	6" Radius Corner Filler	10	10	10
05216	90° Corner Filler (optional)	(5)	(5)	(5)
04210	90° Inside EL Filler	1	1	1
04206(U)	Left Rectangle Stair Filler	1		
04207(U)	Right Rectangle Stair Filler	1		
----	Adjustable A-Frame	11	10	12
04188B	8' Steel Stair		1	
074185NR	8' Step-n-Rest			1
PAK-75	Nut & Bolt Pak - 75 pcs	2	2	2
PAK-100	Nut & Bolt Pak - 100 pcs	1	1	1
04104 / 05109	8' Light Panel			

ALL DIMENSIONS ARE FINISH DIMENSIONS

** see page A19 (full steel) & A20 (Nexus) for Straight Steel Stair Filler specifications
 ** see page A44 Steel Corner Filler specifications
 ** Coping Layouts are shown on pages A59 (Progressive) & A86 (CP2)

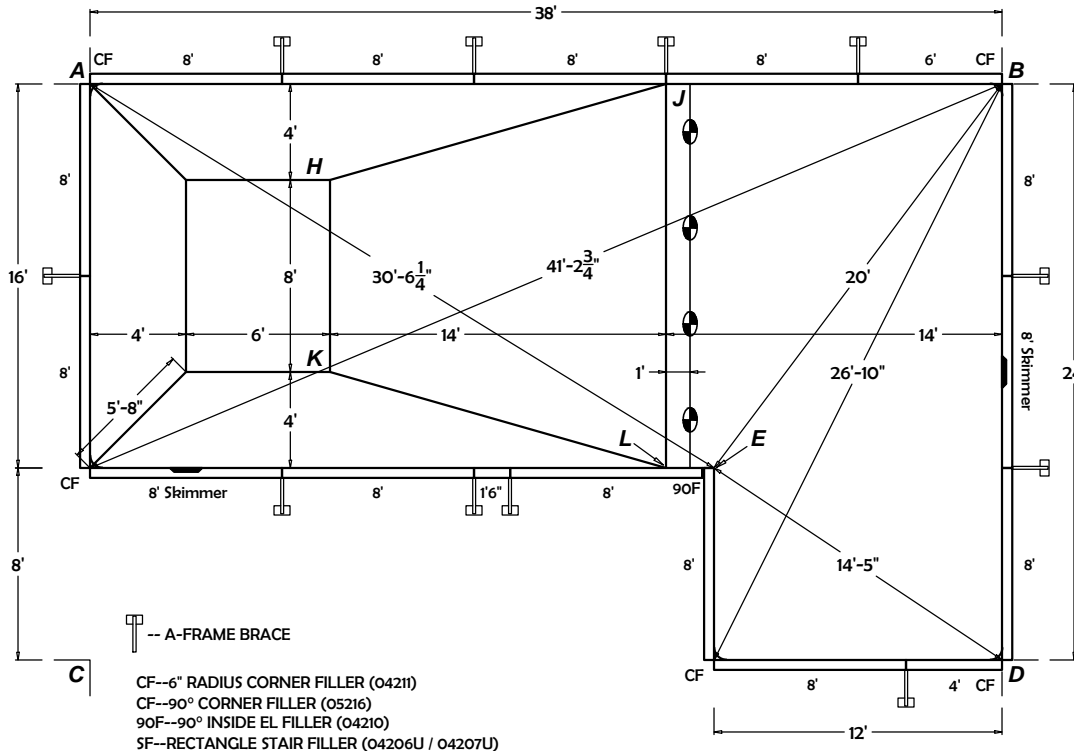
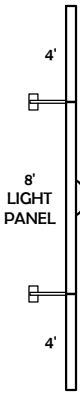
FROM A TO:	
D	44'-11 1/4"
E	30'-6 1/4"
H	10'-9 1/4"
J	24'
K	15'-7 1/2"
L	28'-10 1/4"

FROM B TO:	
C	44'-11 1/4"
E	20'
H	28'-3 1/2"
J	14'
K	30'-5 1/2"
L	21'-3"

FROM C TO:	
B	44'-11 1/4"
E	27'-2 1/2"
H	22'-4 1/4"
J	33'-11 1/4"
K	15'-7 1/2"
L	25'-3 1/2"

FROM D TO:	
A	44'-11 1/4"
E	14'-5"
H	34'-5"
J	27'-9 1/2"
K	30'-5 1/2"
L	16'-1 1/2"

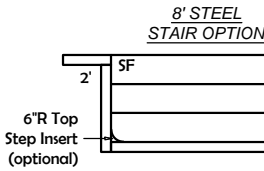
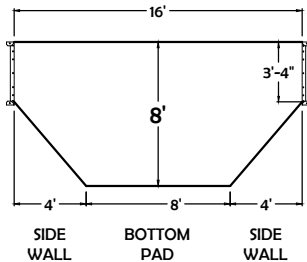
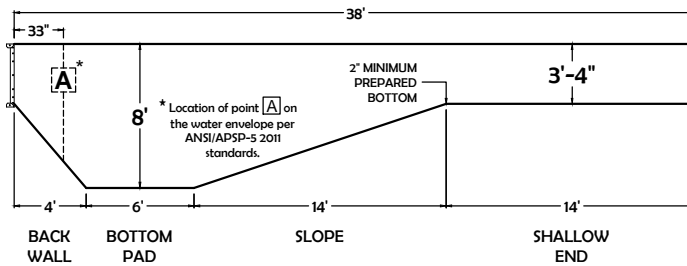
CENTER LIGHT PANEL OPTION



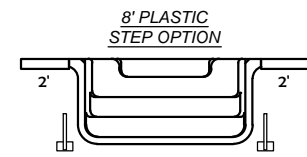
DIVING PERMITTED ONLY FROM DESIGNATED DIVING AREA.
 The bottom configuration shown conforms with current ISPSC & ANSI / APSP / ICC suggested minimum standards for pools approved for use with manufactured diving equipment.

WARNING: Swimming pools can be dangerous if used improperly. Consult your dealer for information on safe use. It's the responsibility of town officials, builders and homeowners to follow safety recommendations of APSP/ANSI, local ordinances & equipment manufacturers.

- All work not specifically shown here is to be done in accordance with the requirements of the 2018 INTERNATIONAL SWIMMING POOL & SPA CODE, APSP/ANSI/ICC-5 2011 STANDARDS FOR RESIDENTIAL INGROUND SWIMMING POOLS, and all other local building codes.
- Construction Drawing: Different methods and precautions may be dictated by various ground conditions. This is to be determined by and is the responsibility of the contractor who is not an agent of the manufacturer of the component parts.
- Depth and shape of the pool meet minimum standards of the 2018 INTERNATIONAL SWIMMING POOL & SPA CODE and the APSP/ANSI/ICC-5 2011 STANDARDS FOR RESIDENTIAL INGROUND SWIMMING POOLS.
- A means of entry & exit for the deep end & shallow end of the pool must be provided in accordance with 2018 INTERNATIONAL SWIMMING POOL & SPA CODE, section 809.
- Equipotential bonding must be provided in accordance with the NATIONAL ELECTRIC CODE, NFPA 70.
- All A-frame braces are to be contained within an 8" thick continuous poured concrete (2500 psi) perimeter collar.
- Backfill with clean earth, free of roots and debris.
- Finished bottom is to be 2" minimum of suitable material or undisturbed earth.
- 3" wide, 3" thick concrete deck is to be poured at a slope of 1/4" to 1' away from the pool.
- NO DIVING labels are to be installed around the perimeter of the pool.
- A safety line, with buoys, is to be permanently attached 10' to the shallow side of the point of first slope change.
- Suction entrapment avoidance to be installed in accordance with APSP/ANSI/ICC-7



* Nexus stair option is available using the identical panel layout



INSTALLATION NOTE:
 Substitute (1) - 90° Corner Fillers (#05216) in place of (2) 6'R Corner Fillers for 90° corner pool option.
 See page A44 Steel Corner Filler specifications

Installer **MUST** specify what type of corners (90° OR 6'R) are desired when ordering both the pool and liner.

INSTALLATION NOTE:
 Substitute (1) - 90° Corner Fillers (#05216) in place of (2) 6'R Corner Fillers for 90° corner pool option.
 See page A44 Steel Corner Filler specifications

Installer **MUST** specify what type of corners (90° OR 6'R) are desired when ordering both the pool and liner.

16' x 38' x 24' Right 6" Radius & 90° True EL

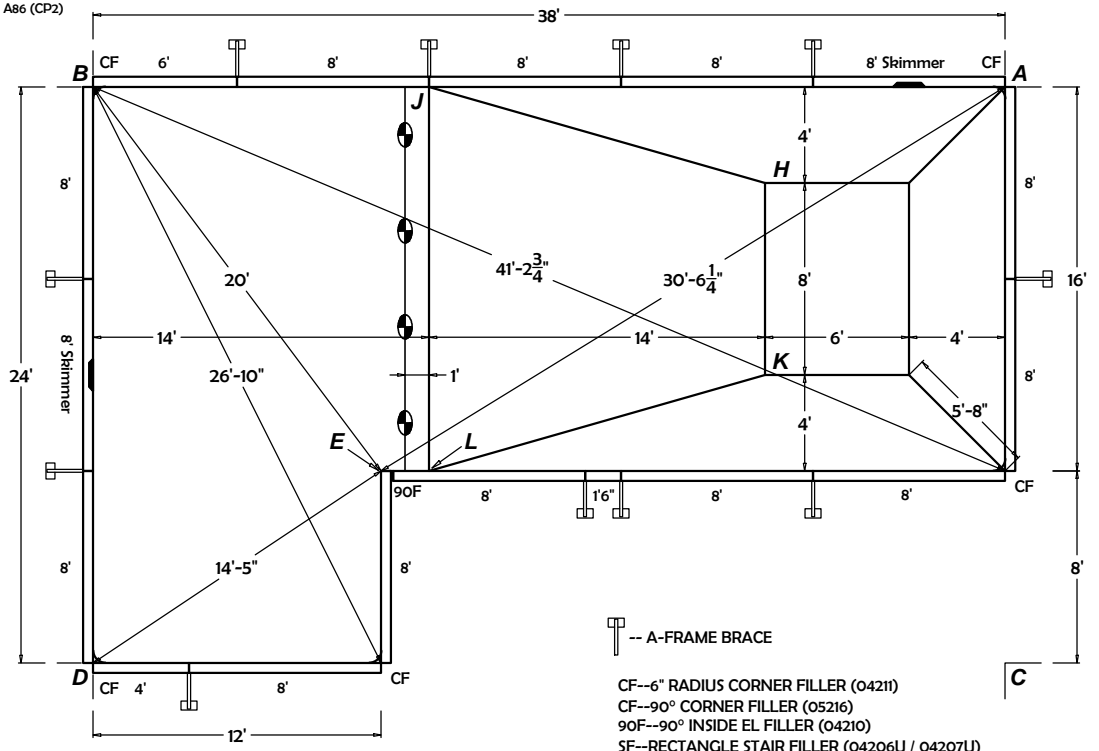
Perimeter	124'	page 1 of 1
Surface Area	704.00 SF	
Volume	21600 gal	
Liner Sq. Ft.	704.0000 SF	

ITEM #	PART DESCRIPTION	No Stairs	8" Steel - End	8" Plastic - End
04101 / 05102	8' Plain Panel	9	8	7
04102 / 05104	8' Skimmer Panel - 1085	2	2	2
04103 / 05108	8' Return Panel	3	2	3
04106 / 05112	6' Plain Panel	1	1	1
04110	4' Plain Panel	1		
04114	2' Plain Panel		2	2
04126	1'6" Plain Panel	1	1	1
04211	6" Radius Corner Filler	10	10	10
05216	90° Corner Filler (optional)	(5)	(5)	(5)
04210	90° Inside EL Filler	1	1	1
04206(U)	Left Rectangle Stair Filler	1		
04207(U)	Right Rectangle Stair Filler	1		
----	Adjustable A-Frame	11	10	12
04188B	8' Steel Stair		1	
074185NR	8' Step-n-Rest			1
PAK-75	Nut & Bolt Pak - 75 pcs	2	2	2
PAK-100	Nut & Bolt Pak - 100 pcs	1	1	1
04104 / 05109	8' Light Panel			

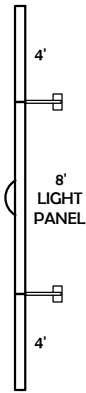
ALL DIMENSIONS ARE FINISH DIMENSIONS

** see page A19 (full steel) & A20 (Nexus) for Straight Steel Stair Filler specifications
 ** see page A44 Steel Corner Filler specifications
 ** Coping Layouts are shown on pages: A59 (Progressive) & A86 (CP2)

FROM A TO:	FROM B TO:	FROM C TO:	FROM D TO:
D 44'-11 1/4"	C 44'-11 1/4"	B 44'-11 1/4"	A 44'-11 1/4"
E 30'-6 1/4"	E 20'	E 27'-2 1/2"	E 14'-5"
H 10'-9 1/4"	H 28'-3 1/2"	H 22'-4 1/4"	H 34'-5"
J 24'	J 14'	J 33'-11 1/4"	J 27'-9 1/2"
K 15'-7 1/2"	K 30'-5 1/2"	K 15'-7 1/2"	K 30'-5 1/2"
L 28'-10 1/4"	L 21'-3"	L 25'-3 1/2"	L 16'-1 1/2"



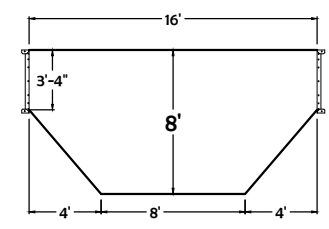
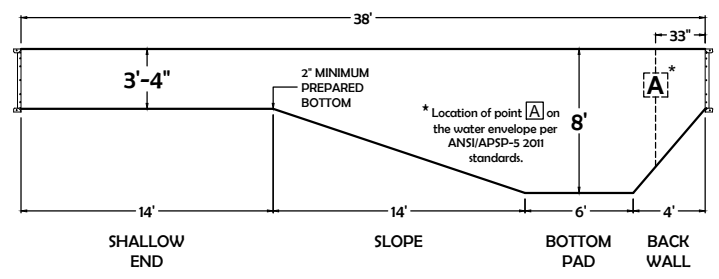
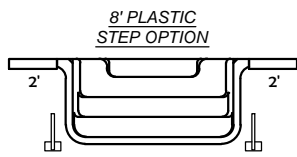
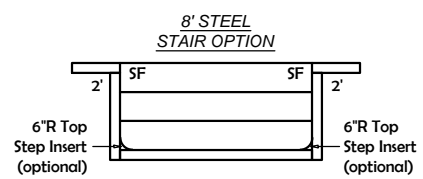
CENTER LIGHT PANEL OPTION



DIVING PERMITTED ONLY FROM DESIGNATED DIVING AREA.
 The bottom configuration shown conforms with current ISPSA & ANSI / APSP / ICC suggested minimum standards for pools approved for use with manufactured diving equipment.

WARNING: Swimming pools can be dangerous if used improperly. Consult your dealer for information on safe use. It's the responsibility of town officials, builders and homeowners to follow safety recommendations of APSP/ANSI, local ordinances & equipment manufacturers.

- All work not specifically shown here is to be done in accordance with the requirements of the 2018 INTERNATIONAL SWIMMING POOL & SPA CODE, APSP/ANSI/ICC-5 2011 STANDARDS FOR RESIDENTIAL INGROUND SWIMMING POOLS, and all other local building codes.
- Construction Drawing: Different methods and precautions may be dictated by various ground conditions. This is to be determined by and is the responsibility of the contractor who is not an agent of the manufacturer of the component parts.
- Depth and shape of the pool meet minimum standards of the 2018 INTERNATIONAL SWIMMING POOL & SPA CODE and the APSP/ANSI/ICC-5 2011 STANDARDS FOR RESIDENTIAL INGROUND SWIMMING POOLS.
- A means of entry & exit for the deep end & shallow end of the pool must be provided in accordance with 2018 INTERNATIONAL SWIMMING POOL & SPA CODE, section 809.
- Equipotential bonding must be provided in accordance with the NATIONAL ELECTRIC CODE, NFPA 70.
- All A-frame braces are to be contained within an 8" thick continuous poured concrete (2500 psi) perimeter collar.
- Backfill with clean earth, free of roots and debris.
- Finished bottom is to be 2" minimum of suitable material or undisturbed earth.
- 3" wide, 3" thick concrete deck is to be poured at a slope of 1/4" to 1' away from the pool.
- NO DIVING labels are to be installed around the perimeter of the pool.
- A safety line, with buoys, is to be permanently attached 10' to the shallow side of the point of first slope change.
- Suction entrapment avoidance to be installed in accordance with APSP/ANSI/ICC-7



INSTALLATION NOTE:
 Substitute (1) - 90° Corner Fillers (#05216) in place of (2) 6'R Corner Fillers for 90° corner pool option. See page A44 Steel Corner Filler specifications

Installer **MUST** specify what type of corners (90° OR 6'R) are desired when ordering both the pool and liner.

18' x 45' Left 6" Radius & 90° Lazy EL

Perimeter	123'-4"	page							
Surface Area	788.21 SF	1 of 1	No Stairs						
Volume	27350 gal		8" Steel - End						
Liner Sq. Ft.	920.2500 SF	8" Plastic - End							
ITEM #	PART DESCRIPTION								
04101 / 05102	8' Plain Panel	6	5	4					
04102 / 05104	8' Skimmer Panel - 1085	2	2	2					
04103 / 05108	8' Return Panel	3	2	3					
04106 / 05112	6' Plain Panel	4	4	4					
04107	5' Plain Panel		2	2					
04110	4' Plain Panel	1	1	1					
04114	2' Plain Panel	2	1	1					
04126	1'6" Plain Panel	2	2	2					
04211	6" Radius Corner Filler	8	8	8					
05216	90° Corner Filler (optional)	(4)	(4)	(4)					
04219	2" x 2" Lazy EL Filler	1	1	1					
04203	Grecian Corner Filler	1	1	1					
04206(U)	Left Rectangle Stair Filler		1						
04207(U)	Right Rectangle Stair Filler		1						
----	Adjustable A-Frame	15	13	15					
04188B	8' Steel Stair		1						
074185NR	8' Step-n-Rest			1					
PAK-75	Nut & Bolt Pak - 75 pcs	2	2	2					
PAK-100	Nut & Bolt Pak - 100 pcs	1	1	1					
04104 / 05109	8' Light Panel								

ALL DIMENSIONS ARE FINISH DIMENSIONS

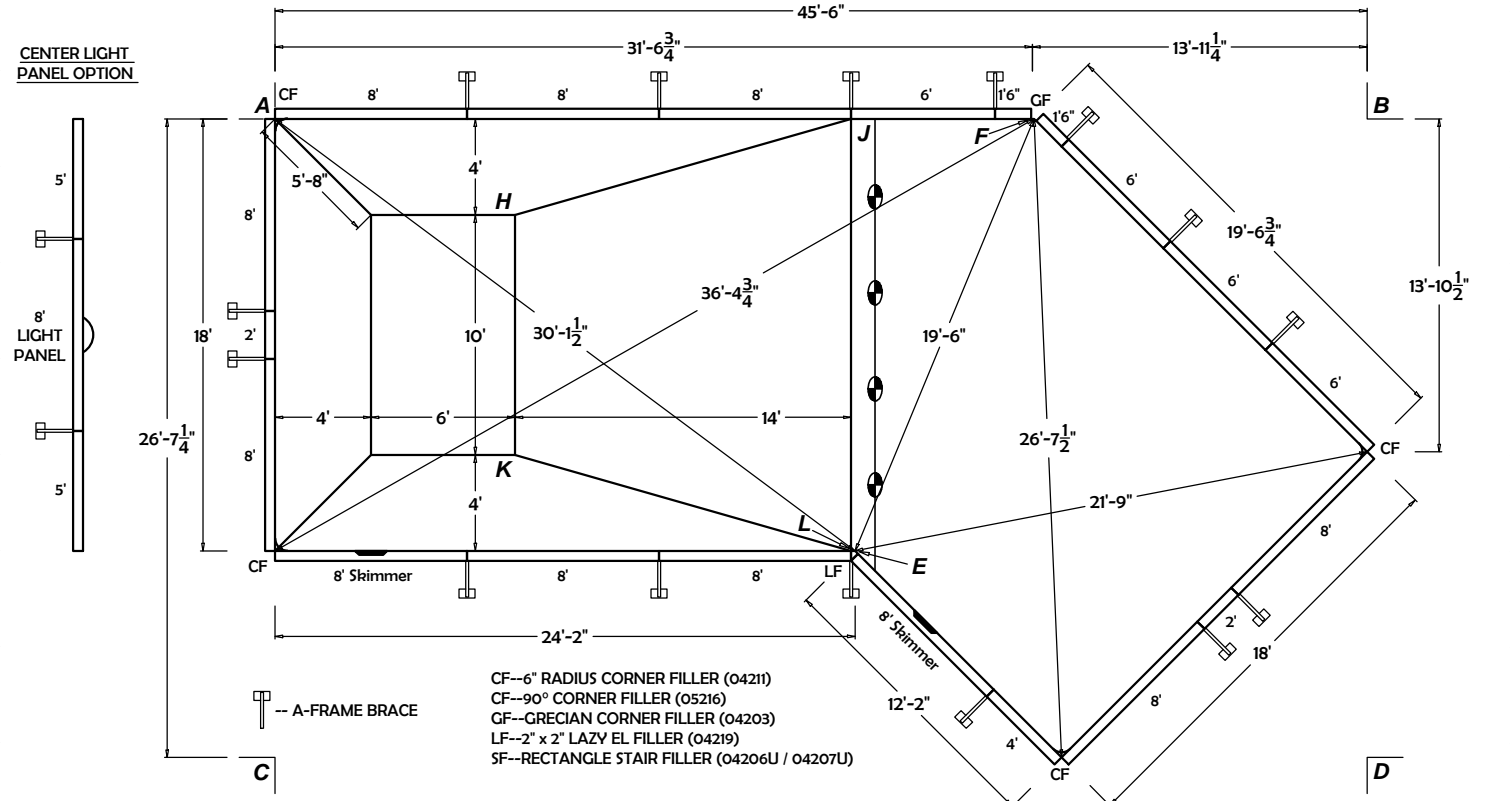
** see page A19 (full steel) & A20 (Nexus) for Straight Steel Stair Filler specifications
 ** see page A44 Steel Corner Filler specifications
 ** Coping Layouts are shown on pages: A59 (Progressive) & A86 (CP2)

FROM A TO:
D 52'-8 1/2"
E 30'-1 1/2"
F 31'-7 1/2"
H 10'-9 1/4"
J 24'
K 17'-2 1/2"
L 30'

FROM B TO:
C 52'-8 1/2"
E 27'-11"
F 13'-10 1/2"
H 35'-8 3/4"
J 21'-6"
K 38'-2"
L 28'-0 1/2"

FROM C TO:
B 52'-8 1/2"
E 25'-7 3/4"
F 41'-4"
H 24'-8 1/2"
J 35'-10"
K 16'-1"
L 25'-6"

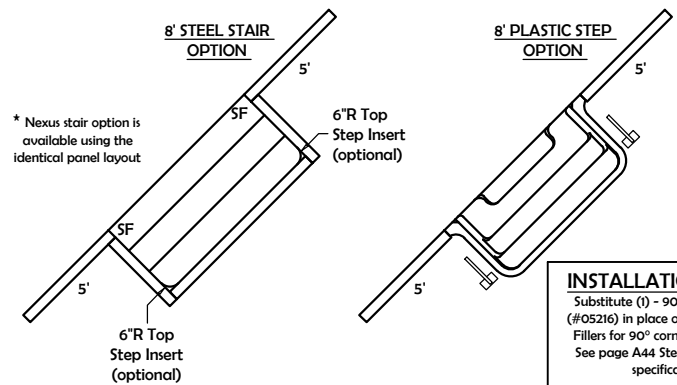
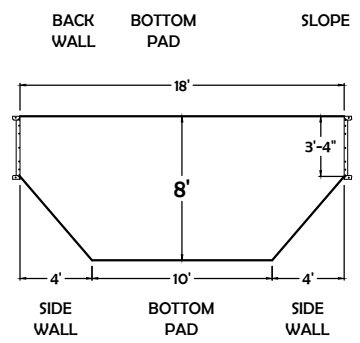
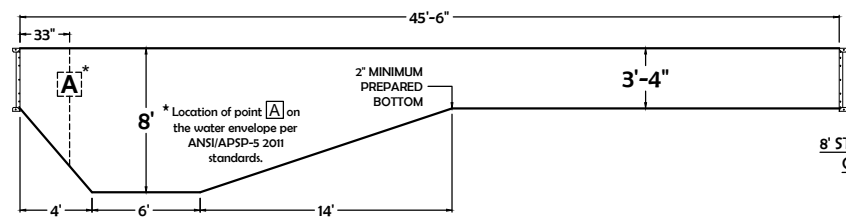
FROM D TO:
A 52'-8 1/2"
E 23'
F 30'
H 42'-1"
J 34'-2 1/2"
K 37'-8"
L 23'-1 3/4"



DIVING PERMITTED ONLY FROM DESIGNATED DIVING AREA.
 The bottom configuration shown conforms with current ISPSC & ANSI / APSP / ICC suggested minimum standards for pools approved for use with manufactured diving equipment.

WARNING: Swimming pools can be dangerous if used improperly. Consult your dealer for information on safe use. It's the responsibility of town officials, builders and homeowners to follow safety recommendations of APSP/ANSI, local ordinances & equipment manufacturers.

- All work not specifically shown here is to be done in accordance with the requirements of the 2018 INTERNATIONAL SWIMMING POOL & SPA CODE, APSP/ANSI/ICC-5 2011 STANDARDS FOR RESIDENTIAL INGROUND SWIMMING POOLS, and all other local building codes.
- Construction Drawing: Different methods and precautions may be dictated by various ground conditions. This is to be determined by and is the responsibility of the contractor who is not an agent of the manufacturer of the component parts.
- Depth and shape of the pool meet minimum standards of the 2018 INTERNATIONAL SWIMMING POOL & SPA CODE and the APSP/ANSI/ICC-5 2011 STANDARDS FOR RESIDENTIAL INGROUND SWIMMING POOLS.
- A means of entry & exit for the deep end of the pool must be provided in accordance with 2018 INTERNATIONAL SWIMMING POOL & SPA CODE, section 809.
- Equipotential bonding must be provided in accordance with the NATIONAL ELECTRIC CODE, NFPA 70.
- All A-frame braces are to be contained within an 8" thick continuous poured concrete (2500 psi) perimeter collar.
- Backfill with clean earth, free of roots and debris.
- Finished bottom is to be 2" minimum of suitable material or undisturbed earth.
- 3" wide, 3" thick concrete deck is to be poured at a slope of 1/4" to 1' away from the pool.
- NO DIVING labels are to be installed around the perimeter of the pool.
- A safety line, with buoys, is to be permanently attached 10' to the shallow side of the point of first slope change.
- Suction entrapment avoidance to be installed in accordance with APSP/ANSI/ICC-7



INSTALLATION NOTE:
 Substitute (1) - 90° Corner Fillers (#05216) in place of (2) 6'R Corner Fillers for 90° corner pool option. See page A44 Steel Corner Filler specifications
 Installer MUST specify what type of corners (90° OR 6'R) are desired when ordering both the pool and liner.

18' x 45' Right 6" Radius & 90° Lazy EL

Perimeter	123'-4"	page 1 of 1
Surface Area	788.21 SF	
Volume	27350 gal	
Liner Sq. Ft.	920.2500 SF	

ITEM #	PART DESCRIPTION	No Stairs	8" Steel - End	8" Plastic - End
04101 / 05102	8' Plain Panel	6	5	4
04102 / 05104	8' Skimmer Panel - 1085	2	2	2
04103 / 05108	8' Return Panel	3	2	3
04106 / 05112	6' Plain Panel	4	4	4
04107	5' Plain Panel		2	2
04110	4' Plain Panel	1	1	1
04114	2' Plain Panel	2	1	1
04126	1'6" Plain Panel	2	2	2
04211	6" Radius Corner Filler	8	8	8
05216	90° Corner Filler (optional)	(4)	(4)	(4)
04219	2" x 2" Lazy EL Filler	1	1	1
04203	Grecian Corner Filler	1	1	1
04206(U)	Left Rectangle Stair Filler	1		
04207(U)	Right Rectangle Stair Filler	1		
----	Adjustable A-Frame	15	13	15
04188B	8' Steel Stair		1	
074185NR	8' Step-n-Rest			1
PAK-75	Nut & Bolt Pak - 75 pcs	2	2	2
PAK-100	Nut & Bolt Pak - 100 pcs	1	1	1
04104 / 05109	8' Light Panel			

DIVING PERMITTED ONLY FROM DESIGNATED DIVING AREA.
The bottom configuration shown conforms with current ISPSC & ANSI / APSP / ICC suggested minimum standards for pools approved for use with manufactured diving equipment.

WARNING: Swimming pools can be dangerous if used improperly. Consult your dealer for information on safe use. It's the responsibility of town officials, builders and homeowners to follow safety recommendations of APSP/ANSI, local ordinances & equipment manufacturers.

- All work not specifically shown here is to be done in accordance with the requirements of the 2018 INTERNATIONAL SWIMMING POOL & SPA CODE, APSP/ANSI/ICC-5 2011 STANDARDS FOR RESIDENTIAL INGROUND SWIMMING POOLS, and all other local building codes.
- Construction Drawing: Different methods and precautions may be dictated by various ground conditions. This is to be determined by and is the responsibility of the contractor who is not an agent of the manufacturer of the component parts.
- Depth and shape of the pool meet minimum standards of the 2018 INTERNATIONAL SWIMMING POOL & SPA CODE and the APSP/ANSI/ICC-5 2011 STANDARDS FOR RESIDENTIAL INGROUND SWIMMING POOLS.
- A means of entry & exit for the deep end & shallow end of the pool must be provided in accordance with 2018 INTERNATIONAL SWIMMING POOL & SPA CODE, section 809.
- Equipotential bonding must be provided in accordance with the NATIONAL ELECTRIC CODE, NFPA 70.
- All A-frame braces are to be contained within an 8" thick continuous poured concrete (2500 psi) perimeter collar.
- Backfill with clean earth, free of roots and debris.
- Finished bottom is to be 2" minimum of suitable material or undisturbed earth.
- 3" wide, 3" thick concrete deck is to be poured at a slope of 1/4" to 1' away from the pool.
- NO DIVING labels are to be installed around the perimeter of the pool.
- A safety line, with buoys, is to be permanently attached 10' to the shallow side of the point of first slope change.
- Suction entrapment avoidance to be installed in accordance with APSP/ANSI/ICC-7

ALL DIMENSIONS ARE FINISH DIMENSIONS

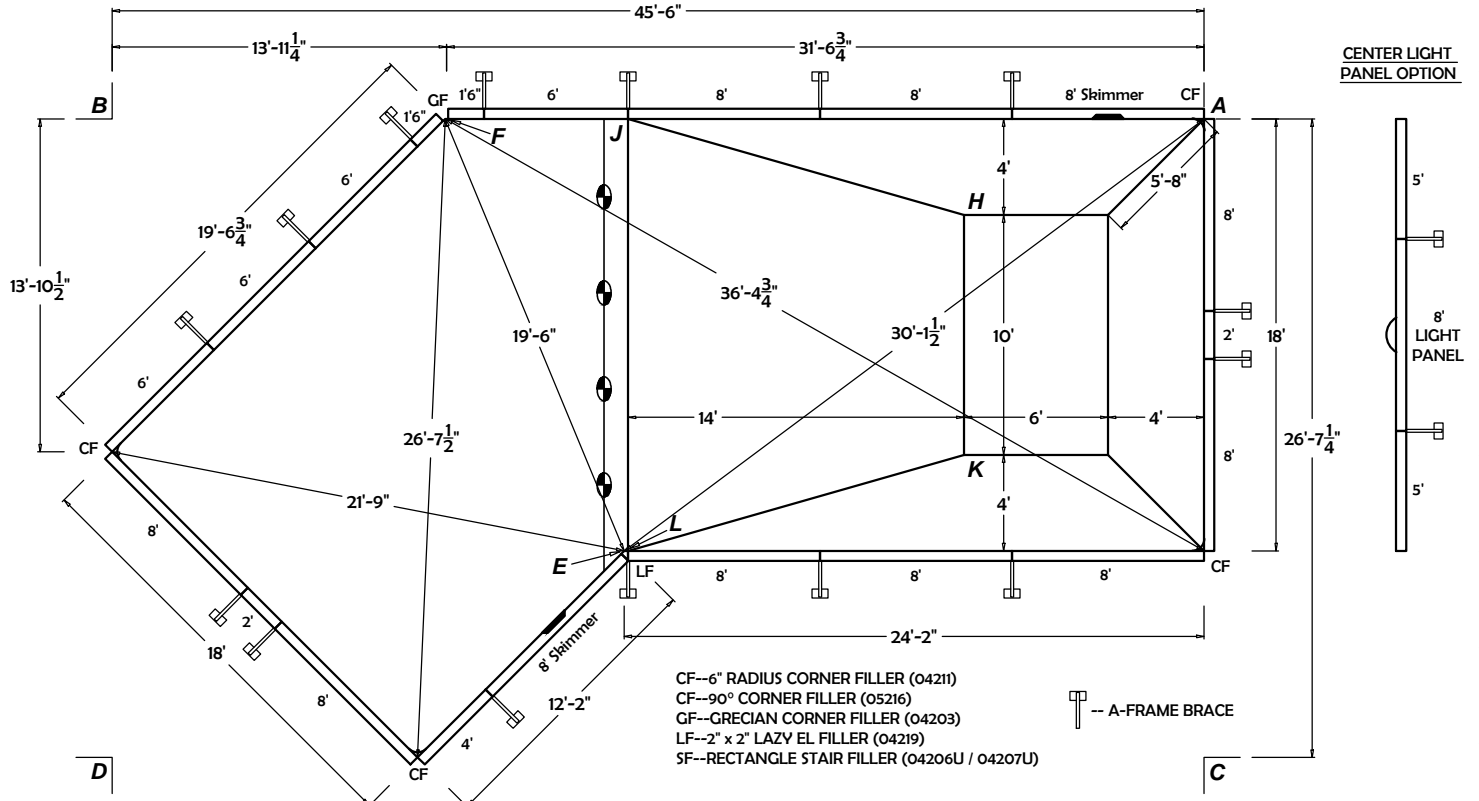
** see page A19 (full steel) & A20 (Nexus) for Straight Steel Stair Filler specifications
** see page A44 Steel Corner Filler specifications
** Coping Layouts are shown on pages: A59 (Progressive) & A86 (CP2)

FROM A TO:
D 52'-8 1/2"
E 30'-1 1/2"
F 31'-7 1/2"
H 10'-9 1/4"
J 24'
K 17'-2 1/2"
L 30'

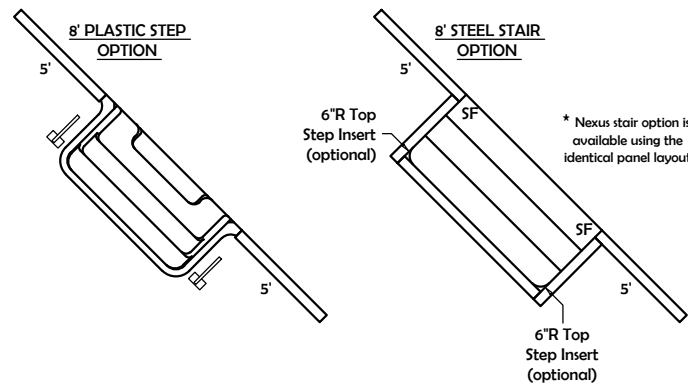
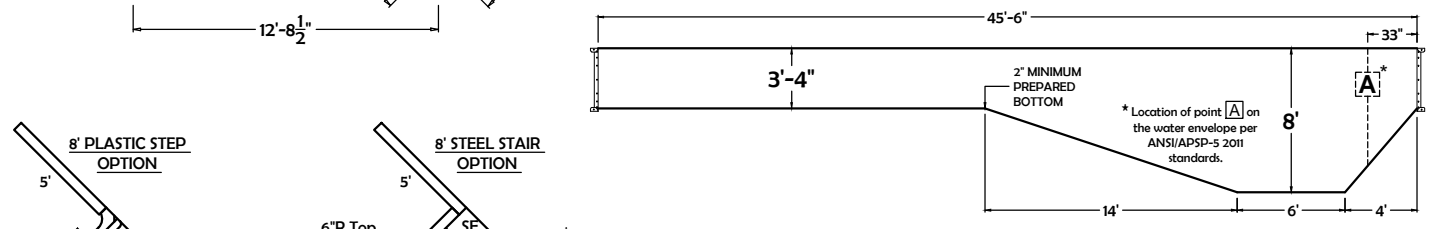
FROM B TO:
C 52'-8 1/2"
E 27'-11"
F 13'-10 1/2"
H 35'-8 3/4"
J 21'-6"
K 38'-2"
L 28'-0 1/2"

FROM C TO:
B 52'-8 1/2"
E 25'-7 3/4"
F 41'-4"
H 24'-8 1/2"
J 35'-10"
K 16'-1"
L 25'-6"

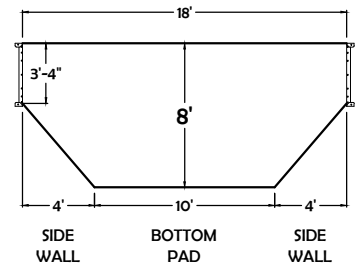
FROM D TO:
A 52'-8 1/2"
E 23'
F 30'
H 42'-1"
J 34'-2 1/2"
K 37'-8"
L 23'-1 3/4"



CF--6" RADIUS CORNER FILLER (04211)
CF--90° CORNER FILLER (05216)
GF--GRECIAN CORNER FILLER (04203)
LF--2" x 2" LAZY EL FILLER (04219)
SF--RECTANGLE STAIR FILLER (04206U / 04207U)



* Nexus stair option is available using the identical panel layout



INSTALLATION NOTE:
Substitute (1) - 90° Corner Fillers (#05216) in place of (2) 6"R Corner Fillers for 90° corner pool option. See page A44 Steel Corner Filler specifications

Installer **MUST** specify what type of corners (90° OR 6"R) are desired when ordering both the pool and liner.

16' x 32'

4' Radius Rectangle

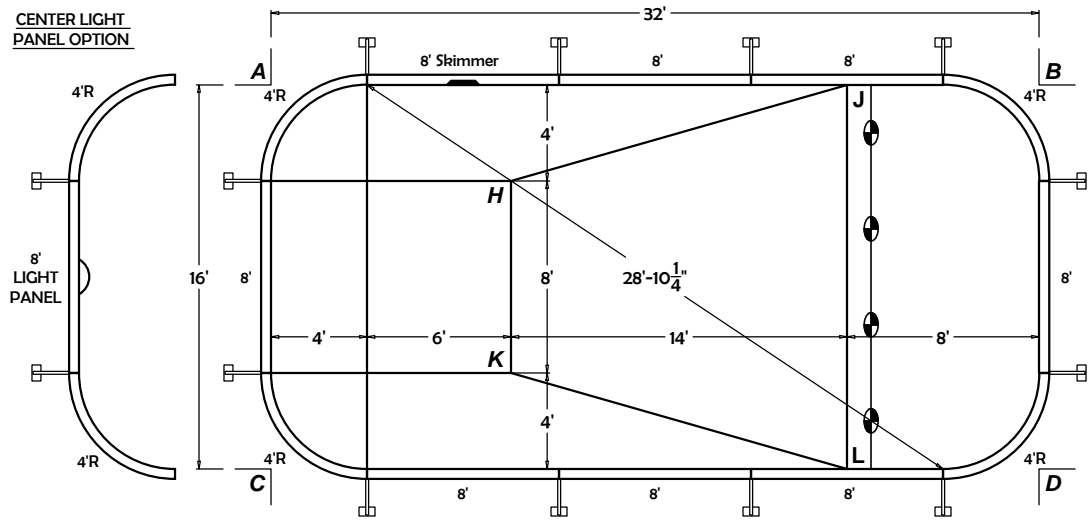
Perimeter	89'-2"	page 1 of 1	No Stairs	8' Steel - End	6' Steel - Left	6' Steel - Right	8' Plastic - End
Surface Area	498.27 SF						
Volume	17200 gal						
Liner Sq. Ft.	512.0000 SF						
ITEM #	PART DESCRIPTION						
04101 / 05102	8' Plain Panel	5	5	6	6	4	
04102 / 05104	8' Skimmer Panel - 1085	1	1	1	1	1	
04103 / 05108	8' Return Panel	2	1	1	1	2	
04106 / 05112	6' Plain Panel			1	1		
04110	4' Plain Panel	4	3	2	2	3	
04114	2' Plain Panel		2			2	
04129	4' Radius Corner Panel	4	4	3	3	4	
04206(U)	Left Rectangle Stair Filler		1	1			
04207(U)	Right Rectangle Stair Filler		1		1		
04120	5" Side Stair Panel			1	1		
----	Adjustable A-Frame	8	7	8	8	9	
04188B	8' Steel Stair		1				
04151B	6' Steel Stair			1	1		
074185NR	8' Step-n-Rest					1	
PAK-75	Nut & Bolt Pak - 75 pcs						
PAK-100	Nut & Bolt Pak - 100 pcs	2	2	2	2	2	
04104 / 05109	8' Light Panel						

ALL DIMENSIONS ARE FINISH DIMENSIONS

** see page A19 (full steel) & A20 (Nexus) for Straight Steel Stair Filler specifications
 ** Coping Layouts are shown on pages A60 (Progressive) & A87 (CP2)

FROM A TO:		FROM B TO:		FROM C TO:		FROM D TO:	
D	35'-9 1/4"	C	35'-9 1/4"	B	35'-9 1/4"	A	35'-9 1/4"
H	10'-9 1/4"	H	22'-4 1/4"	H	15'-7 1/2"	H	25'-0 3/4"
J	24"	J	8"	J	28'-10 1/4"	J	17'-10 3/4"
K	15'-7 1/2"	K	25'-0 3/4"	K	10'-9 1/4"	K	22'-4 1/4"
L	28'-10 1/4"	L	17'-10 3/4"	L	24"	L	8"

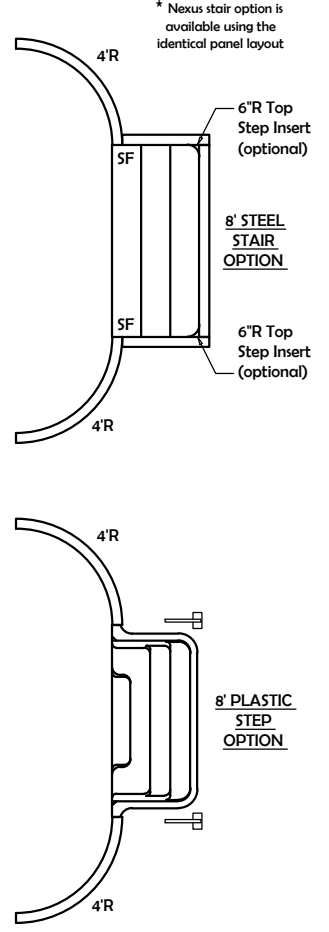
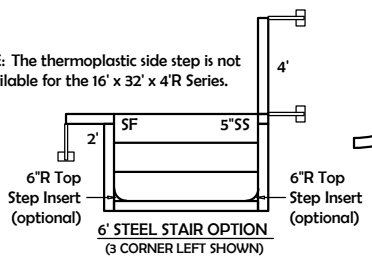
CENTER LIGHT PANEL OPTION



SF--RECTANGLE STAIR FILLER (04206U / 04207U)
 5\"/>

NOTE: The thermoplastic side step is not available for the 16' x 32' x 4'R Series.

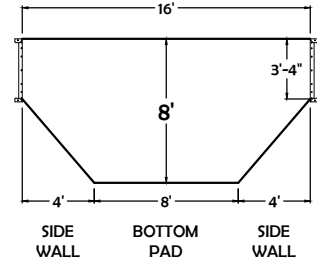
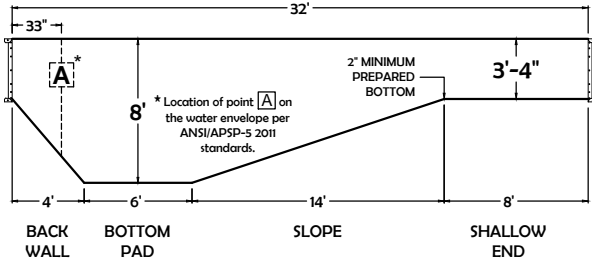
* Nexus stair option is available using the identical panel layout



DIVING PERMITTED ONLY FROM DESIGNATED DIVING AREA.
 The bottom configuration shown conforms with current ISPSC & ANSI / APSP / ICC suggested minimum standards for pools approved for use with manufactured diving equipment.

WARNING: Swimming pools can be dangerous if used improperly. Consult your dealer for information on safe use. It's the responsibility of town officials, builders and homeowners to follow safety recommendations of APSP/ANSI, local ordinances & equipment manufacturers.

- All work not specifically shown here is to be done in accordance with the requirements of the 2018 INTERNATIONAL SWIMMING POOL & SPA CODE, APSP/ANSI/ICC-5 2011 STANDARDS FOR RESIDENTIAL INGROUND SWIMMING POOLS, and all other local building codes.
- Construction Drawing: Different methods and precautions may be dictated by various ground conditions. This is to be determined by and is the responsibility of the contractor who is not an agent of the manufacturer of the component parts.
- Depth and shape of the pool meet minimum standards of the 2018 INTERNATIONAL SWIMMING POOL & SPA CODE and the APSP/ANSI/ICC-5 2011 STANDARDS FOR RESIDENTIAL INGROUND SWIMMING POOLS.
- A means of entry & exit for the deep end & shallow end of the pool must be provided in accordance with 2018 INTERNATIONAL SWIMMING POOL & SPA CODE, section 809.
- Equipotential bonding must be provided in accordance with the NATIONAL ELECTRIC CODE, NFPA 70.
- All A-frame braces are to be contained within an 8" thick continuous poured concrete (2500 psi) perimeter collar.
- Backfill with clean earth, free of roots and debris.
- Finished bottom is to be 2" minimum of suitable material or undisturbed earth.
- 3" wide, 3" thick concrete deck is to be poured at a slope of 1/8" to 1" away from the pool.
- NO DIVING labels are to be installed around the perimeter of the pool.
- A safety line, with buoys, is to be permanently attached 10' to the shallow side of the point of first slope change.
- Suction entrapment avoidance to be installed in accordance with APSP/ANSI/ICC-7



18' x 36'

4' Radius Rectangle

Perimeter	101'-2"	page 1 of 1
Surface Area	634.27 SF	
Volume	21100 gal	
Liner Sq. Ft.	648.0000 SF	

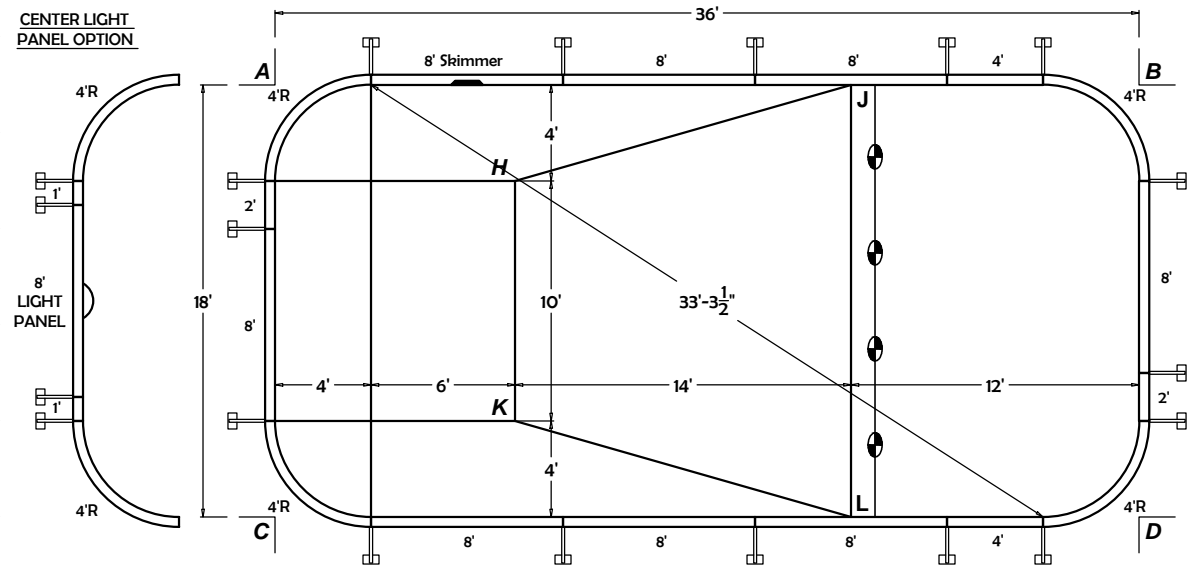
ITEM #	PART DESCRIPTION	No Stairs	8' Steel - End	8' Steel - Left	8' Steel - Right	8' Plastic - End
04101 / 05102	8' Plain Panel	7	7	8	8	6
04102 / 05104	8' Skimmer Panel - 1085	1	1	1	1	1
04103 / 05108	8' Return Panel	2	1	1	1	2
04106 / 05112	6' Plain Panel	2	1	1	1	1
04113	3' Plain Panel		3			3
04114	2' Plain Panel		2	1	1	2
04129	4' Radius Corner Panel		4	4	3	3
04206(U)	Left Rectangle Stair Filler		1	1		
04207(U)	Right Rectangle Stair Filler		1		1	
04120	5" Side Stair Panel			1	1	
----	Adjustable A-Frame	8	7	9	9	9
04188B	8' Steel Stair		1	1	1	
074185NR	8' Step-n-Rest					1
PAK-75	Nut & Bolt Pak - 75 pcs					
PAK-100	Nut & Bolt Pak - 100 pcs	2	2	2	2	2
04104 / 05109	8' Light Panel					

ALL DIMENSIONS ARE FINISH DIMENSIONS

** see page A19 (full steel) & A20 (Nexus) for Straight Steel Stair Filler specifications
 ** Coping Layouts are shown on pages A60 (Progressive) & A87 (CP2)

FROM A TO:		FROM B TO:		FROM C TO:		FROM D TO:	
D	40'-3"	C	40'-3"	B	40'-3"	A	40'-3"
H	10'-9 1/4"	H	26'-3 3/4"	H	17'-2 1/2"	H	29'-6 1/4"
J	24"	J	12"	J	30"	J	21'-7 1/2"
K	17'-2 1/2"	K	29'-6 1/4"	K	10'-9 1/4"	K	26'-3 3/4"
L	30'	L	21'-7 1/2"	L	24"	L	12'

CENTER LIGHT PANEL OPTION

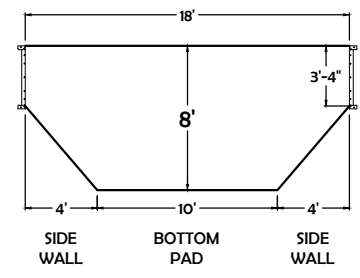
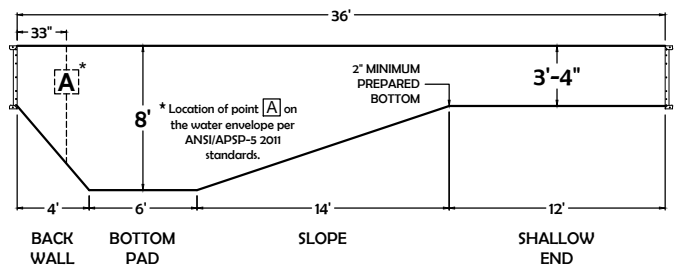
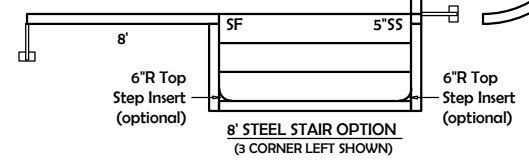


-- A-FRAME BRACE

SF--RECTANGLE STAIR FILLER (04206U / 04207U)
 5"SS--5" SIDE STAIR PANEL (04120)

* Nexus stair option is available using the identical panel layout

NOTE: The thermoplastic side step is not available for the 18' x 36' x 4'R Series.



DIVING PERMITTED ONLY FROM DESIGNATED DIVING AREA.
 The bottom configuration shown conforms with current ISPSC & ANSI / APSP / ICC suggested minimum standards for pools approved for use with manufactured diving equipment.

WARNING: Swimming pools can be dangerous if used improperly. Consult your dealer for information on safe use. It's the responsibility of town officials, builders and homeowners to follow safety recommendations of APSP/ANSI, local ordinances & equipment manufacturers.

- All work not specifically shown here is to be done in accordance with the requirements of the 2018 INTERNATIONAL SWIMMING POOL & SPA CODE, APSP/ANSI/ICC-5 2011 STANDARDS FOR RESIDENTIAL INGROUND SWIMMING POOLS, and all other local building codes.
- Construction Drawing: Different methods and precautions may be dictated by various ground conditions. This is to be determined by and is the responsibility of the contractor who is not an agent of the manufacturer of the component parts.
- Depth and shape of the pool meet minimum standards of the 2018 INTERNATIONAL SWIMMING POOL & SPA CODE and the APSP/ANSI/ICC-5 2011 STANDARDS FOR RESIDENTIAL INGROUND SWIMMING POOLS.
- A means of entry & exit for the deep end & shallow end of the pool must be provided in accordance with 2018 INTERNATIONAL SWIMMING POOL & SPA CODE, section 809.
- Equipotential bonding must be provided in accordance with the NATIONAL ELECTRIC CODE, NFPA 70.
- All A-frame braces are to be contained within an 8" thick continuous poured concrete (2500 psi) perimeter collar.
- Backfill with clean earth, free of roots and debris.
- Finished bottom is to be 2" minimum of suitable material or undisturbed earth.
- 3" wide, 3" thick concrete deck is to be poured at a slope of 1/8" to 1" away from the pool. NO DIVING labels are to be installed around the perimeter of the pool.
- A safety line, with buoys, is to be permanently attached 10' to the shallow side of the point of first slope change.
- Suction entrapment avoidance to be installed in accordance with APSP/ANSI/ICC-7

20' x 40'

4' Radius Rectangle

Perimeter	113'-2"	page
Surface Area	786.27 SF	
Volume	27600 gal	1 of 1
Liner Sq. Ft.	800.0000 SF	

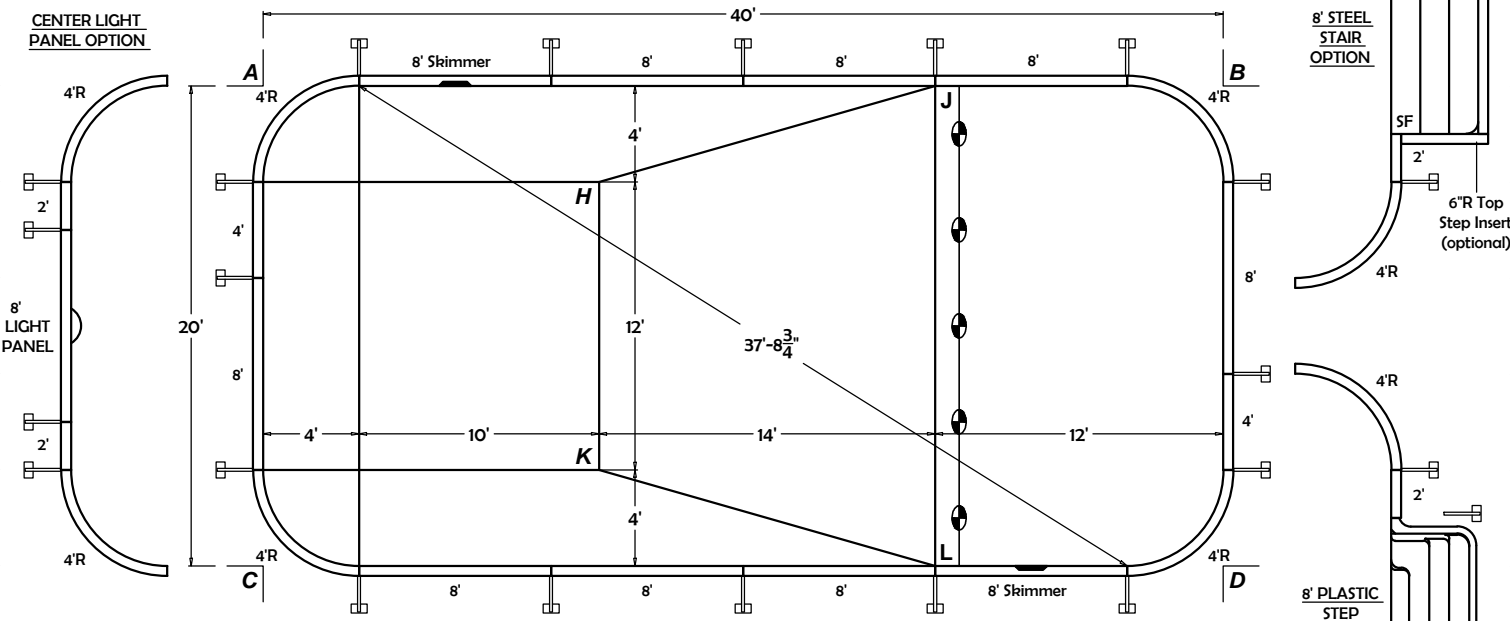
ITEM #	PART DESCRIPTION	No Stairs	8' Steel - End	8' Steel - Left	8' Steel - Right	8' Plastic - End
04101 / 05102	8' Plain Panel	7	6	7	7	5
04102 / 05104	8' Skimmer Panel - 1085	2	2	2	2	2
04103 / 05108	8' Return Panel	3	2	2	2	3
04106 / 05112	6' Plain Panel			1	1	
04110	4' Plain Panel	2	4	1	1	4
04114	2' Plain Panel			1	1	
04129	4' Radius Corner Panel	4	4	3	3	4
04206(U)	Left Rectangle Stair Filler		1	1		
04207(U)	Right Rectangle Stair Filler		1		1	
04120	5" Side Stair Panel			1	1	
----	Adjustable A-Frame	10	9	11	11	11
04188B	8' Steel Stair		1	1	1	
074185NR	8' Step-n-Rest					1
PAK-75	Nut & Bolt Pak - 75 pcs	2	2	2	2	2
PAK-100	Nut & Bolt Pak - 100 pcs	1	1	1	1	1
04104 / 05109	8' Light Panel					

ALL DIMENSIONS ARE FINISH DIMENSIONS

** see page A19 (full steel) & A20 (Nexus) for Straight Steel Stair Filler specifications
 ** Coping Layouts are shown on pages A61 (Progressive) & A88 (CP2)

FROM A TO:		FROM B TO:		FROM C TO:		FROM D TO:	
D	44'-8 3/4"	C	44'-8 3/4"	B	44'-8 3/4"	A	44'-8 3/4"
H	14'-6 3/4"	H	26'-3 3/4"	H	21'-3"	H	30'-6 1/4"
J	28'	J	12'	J	34'-5"	J	23'-4"
K	21'-3"	K	30'-6 1/4"	K	14'-6 3/4"	K	26'-3 3/4"
L	34'-5"	L	23'-4"	L	28'	L	12'

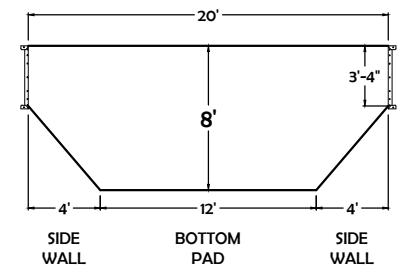
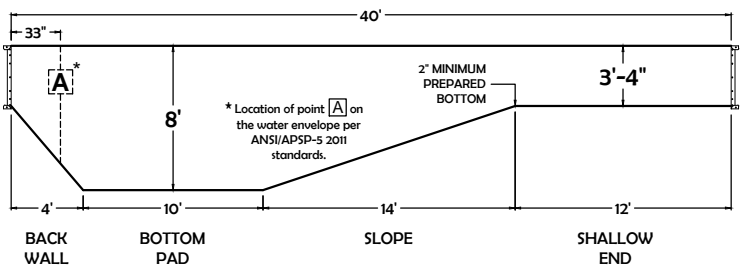
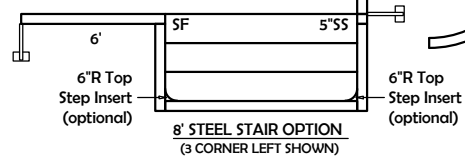
CENTER LIGHT PANEL OPTION



-- A-FRAME BRACE

SF--RECTANGLE STAIR FILLER (04206U / 04207U)
 5"SS--5" SIDE STAIR PANEL (04120)

NOTE: The thermoplastic side step is not available for the 20' x 40' x 4'R Series.



DIVING PERMITTED ONLY FROM DESIGNATED DIVING AREA.
 The bottom configuration shown conforms with current ISPSC & ANSI / APSP / ICC suggested minimum standards for pools approved for use with manufactured diving equipment.

WARNING: Swimming pools can be dangerous if used improperly. Consult your dealer for information on safe use. It's the responsibility of town officials, builders and homeowners to follow safety recommendations of APSP/ANSI, local ordinances & equipment manufacturers.

- All work not specifically shown here is to be done in accordance with the requirements of the 2018 INTERNATIONAL SWIMMING POOL & SPA CODE, APSP/ANSI/ICC-5 2011 STANDARDS FOR RESIDENTIAL INGROUND SWIMMING POOLS, and all other local building codes.
- Construction Drawing: Different methods and precautions may be dictated by various ground conditions. This is to be determined by and is the responsibility of the contractor who is not an agent of the manufacturer of the component parts.
- Depth and shape of the pool meet minimum standards of the 2018 INTERNATIONAL SWIMMING POOL & SPA CODE and the APSP/ANSI/ICC-5 2011 STANDARDS FOR RESIDENTIAL INGROUND SWIMMING POOLS.
- A means of entry & exit for the deep end & shallow end of the pool must be provided in accordance with 2018 INTERNATIONAL SWIMMING POOL & SPA CODE, section 809.
- Equipotential bonding must be provided in accordance with the NATIONAL ELECTRIC CODE, NFPA 70.
- All A-frame braces are to be contained within an 8" thick continuous poured concrete (2500 psi) perimeter collar.
- Backfill with clean earth, free of roots and debris.
- Finished bottom is to be 2" minimum of suitable material or undisturbed earth.
- 3' wide, 3" thick concrete deck is to be poured at a slope of 1/4" to 1' away from the pool. NO DIVING labels are to be installed around the perimeter of the pool.
- A safety line, with buoys, is to be permanently attached 10' to the shallow side of the point of first slope change.
- Suction entrapment avoidance to be installed in accordance with APSP/ANSI/ICC-7

18' x 43' Left 4' Radius Lazy EL

Perimeter	112'-11"	page 1 of 1	No Stairs	8' Steel - End	8' Plastic - End
Surface Area	739.97 SF				
Volume	23350 gal				
Liner Sq. Ft.	887.9104 SF				
ITEM #	PART DESCRIPTION				
04101 / 05102	8' Plain Panel	3	3	2	
04102 / 05104	8' Skimmer Panel - 1085	2	2	2	
04103 / 05108	8' Return Panel	3	2	3	
04106 / 05112	6' Plain Panel	1	1	1	
04107	5' Plain Panel	1	1	1	
04110	4' Plain Panel	1	1	1	
04113	3' Plain Panel	1	1	1	
04114	2' Plain Panel	2	1	1	
04119	1' Plain Panel		2	2	
04129	4' Radius Corner Panel	4	4	4	
04212	Roman End Filler	1	1	1	
04331	8" x 8" Outside EL Filler	1	1	1	
04206(U)	Left Rectangle Stair Filler	1			
04207(U)	Right Rectangle Stair Filler	1			
----	Adjustable A-Frame	19	18	20	
04188B	8' Steel Stair		1		
074185NR	8' Step-n-Rest			1	
PAK-75	Nut & Bolt Pak - 75 pcs	2	2	2	
PAK-100	Nut & Bolt Pak - 100 pcs	1	1	1	
04104 / 05109	8' Light Panel				

ALL DIMENSIONS ARE FINISH DIMENSIONS

** see page A19 (full steel) & A20 (Nexus) for Straight Steel Stair Filler specifications
 ** see page A46 Steel Corner Filler specifications
 ** Coping Layouts are shown on pages A61 (Progressive) & A88 (CP2)

FROM **A** TO:

D	48'-7"
E	30'-2"
F	31'-8"
H	10'-9 1/4"
J	24'
K	17'-2 1/2"
L	30'

FROM **B** TO:

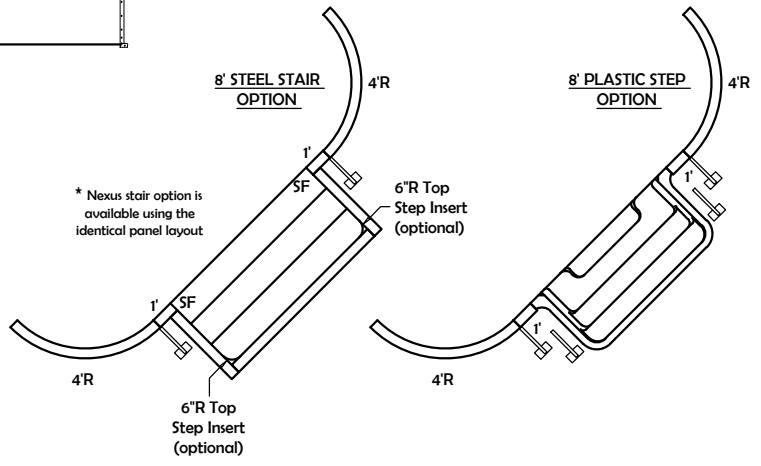
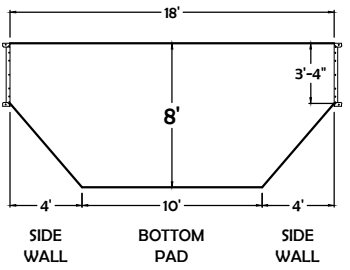
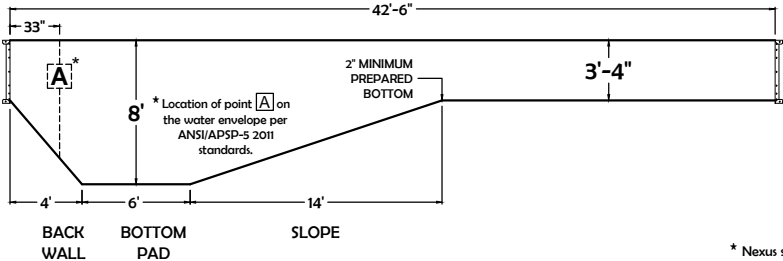
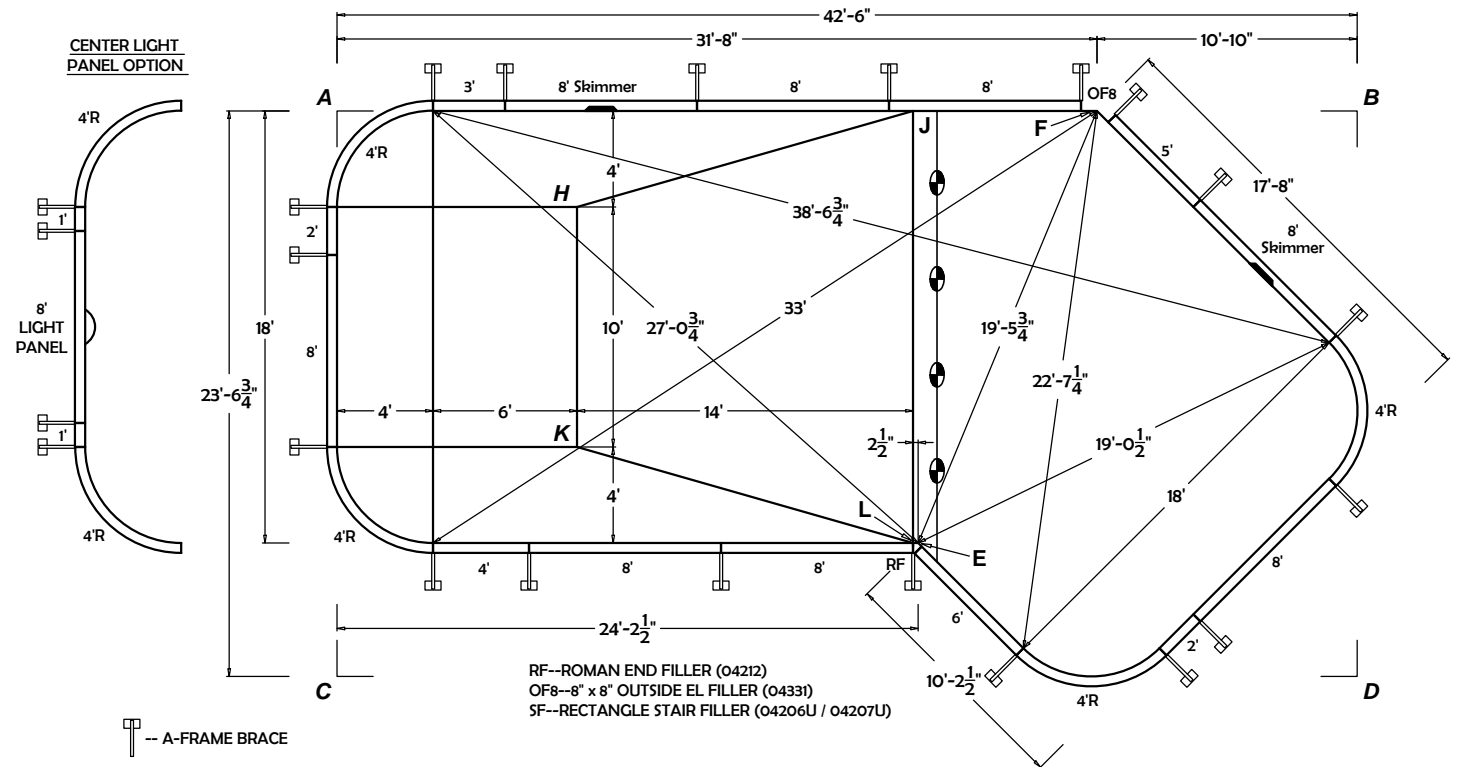
C	48'-7"
E	25'-8"
F	10'-10"
H	32'-9"
J	18'-6"
K	35'-4 1/2"
L	25'-9 3/4"

FROM **C** TO:

B	48'-7"
E	24'-10"
F	39'-5 1/2"
H	21'-11 3/4"
J	33'-7 1/2"
K	13'-10"
L	24'-7 3/4"

FROM **D** TO:

A	48'-7"
E	19'-1 1/2"
F	25'-11 1/4"
H	37'-11 1/4"
J	29'-11 1/2"
K	33'-10 1/2"
L	19'-3 3/4"



DIVING PERMITTED ONLY FROM DESIGNATED DIVING AREA.
 The bottom configuration shown conforms with current ISPSC & ANSI / APSP / ICC suggested minimum standards for pools approved for use with manufactured diving equipment.

- WARNING: Swimming pools can be dangerous if used improperly. Consult your dealer for information on safe use. It's the responsibility of town officials, builders and homeowners to follow safety recommendations of APSP/ANSI, local ordinances & equipment manufacturers.
- All work not specifically shown here is to be done in accordance with the requirements of the 2018 INTERNATIONAL SWIMMING POOL & SPA CODE, APSP/ANSI/ICC-5 2011 STANDARDS FOR RESIDENTIAL INGROUND SWIMMING POOLS, and all other local building codes.
 - Construction Drawing: Different methods and precautions may be dictated by various ground conditions. This is to be determined by and is the responsibility of the contractor who is not an agent of the manufacturer of the component parts.
 - Depth and shape of the pool meet minimum standards of the 2018 INTERNATIONAL SWIMMING POOL & SPA CODE and the APSP/ANSI/ICC-5 2011 STANDARDS FOR RESIDENTIAL INGROUND SWIMMING POOLS.
 - A means of entry & exit for the deep end & shallow end of the pool must be provided in accordance with 2018 INTERNATIONAL SWIMMING POOL & SPA CODE, section 809.
 - Equipotential bonding must be provided in accordance with the NATIONAL ELECTRIC CODE, NFPA 70.
 - All A-frame braces are to be contained within an 8" thick continuous poured concrete (2500 psi) perimeter collar.
 - Backfill with clean earth, free of roots and debris.
 - Finished bottom is to be 2" minimum of suitable material or undisturbed earth.
 - 3" wide, 3" thick concrete deck is to be poured at a slope of 1/4" to 1' away from the pool. NO DIVING labels are to be installed around the perimeter of the pool.
 - A safety line, with buoys, is to be permanently attached 10' to the shallow side of the point of first slope change.
 - Suction entrapment avoidance to be installed in accordance with APSP/ANSI/ICC-7

18' x 43' Right 4' Radius Lazy EL

Perimeter	112'-11"	page						
Surface Area	739.97 SF	1 of 1	No Stairs	8" Steel - End	8" Plastic - End			
Volume	23350 gal							
Liner Sq. Ft.	887.9104 SF							
ITEM #	PART DESCRIPTION							
04101 / 05102	8' Plain Panel	3	3	2				
04102 / 05104	8' Skimmer Panel - 1085	2	2	2				
04103 / 05108	8' Return Panel	3	2	3				
04106 / 05112	6' Plain Panel	1	1	1				
04107	5' Plain Panel	1	1	1				
04110	4' Plain Panel	1	1	1				
04113	3' Plain Panel	1	1	1				
04114	2' Plain Panel	2	1	1				
04119	1' Plain Panel		2	2				
04129	4' Radius Corner Panel	4	4	4				
04212	Roman End Filler	1	1	1				
04331	8" x 8" Outside EL Filler	1	1	1				
04206(U)	Left Rectangle Stair Filler	1						
04207(U)	Right Rectangle Stair Filler	1						
----	Adjustable A-Frame	19	18	20				
04188B	8' Steel Stair		1					
074185NR	8' Step-n-Rest			1				
PAK-75	Nut & Bolt Pak - 75 pcs	2	2	2				
PAK-100	Nut & Bolt Pak - 100 pcs	1	1	1				
04104 / 05109	8' Light Panel							

ALL DIMENSIONS ARE FINISH DIMENSIONS

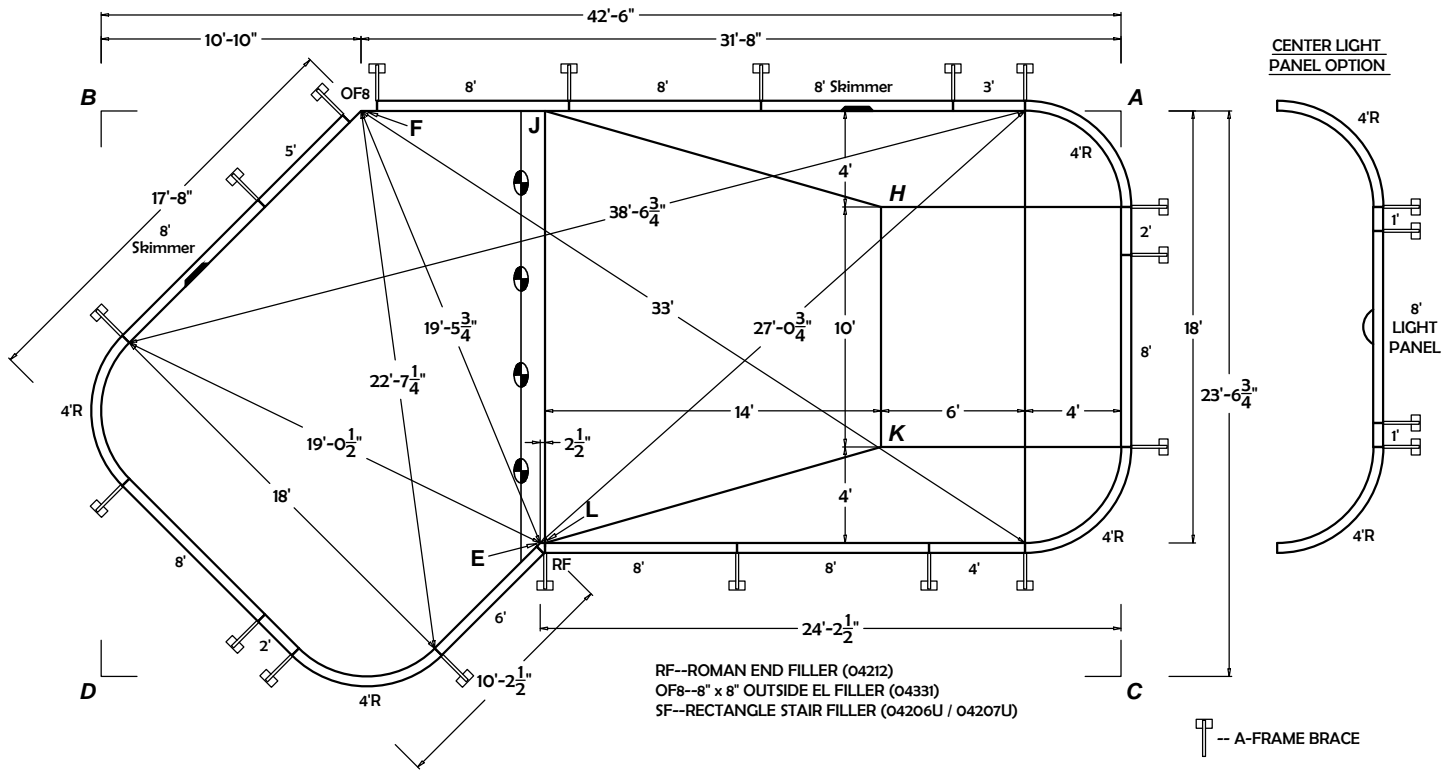
** see page A19 (full steel) & A20 (Nexus) for Straight Steel Stair Filler specifications
 ** see page A46 Steel Corner Filler specifications
 ** Coping Layouts are shown on pages: A61 (Progressive) & A88 (CP2)

FROM A TO:	
D	48'-7"
E	30'-2"
F	31'-8"
H	10'-9 1/4"
J	24'
K	17'-2 1/2"
L	30'

FROM B TO:	
C	48'-7"
E	25'-8"
F	10'-10"
H	32'-9"
J	18'-6"
K	35'-4 1/2"
L	25'-9 3/4"

FROM C TO:	
B	48'-7"
E	24'-10"
F	39'-5 1/2"
H	21'-11 3/4"
J	33'-7 1/2"
K	13'-10"
L	24'-7 3/4"

FROM D TO:	
A	48'-7"
E	19'-1 1/2"
F	25'-11 1/4"
H	37'-11 1/4"
J	29'-11 1/2"
K	33'-10 1/2"
L	19'-3 3/4"



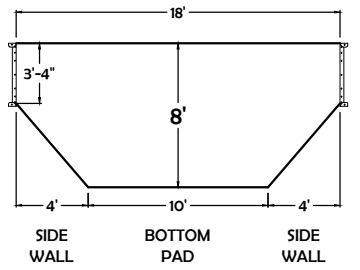
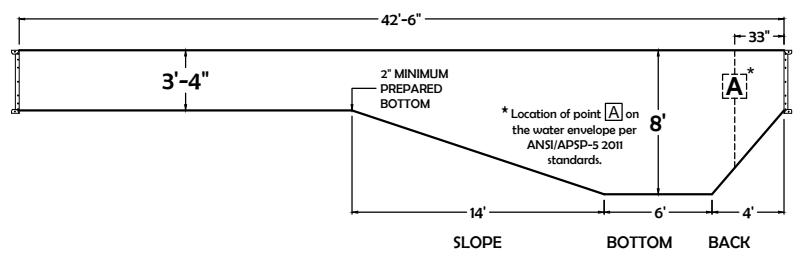
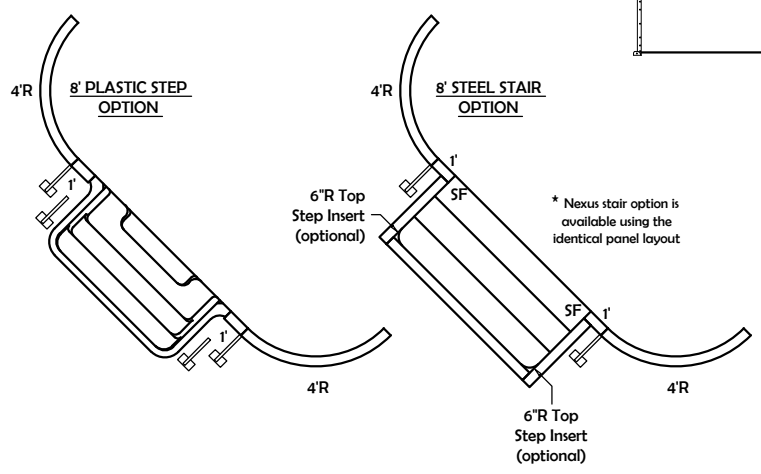
RF--ROMAN END FILLER (04212)
 OF8--8" x 8" OUTSIDE EL FILLER (04331)
 SF--RECTANGLE STAIR FILLER (04206U / 04207U)

-- A-FRAME BRACE

DIVING PERMITTED ONLY FROM DESIGNATED DIVING AREA.
 The bottom configuration shown conforms with current ISPSC & ANSI / APSP / ICC suggested minimum standards for pools approved for use with manufactured diving equipment.

WARNING: Swimming pools can be dangerous if used improperly. Consult your dealer for information on safe use. It's the responsibility of town officials, builders and homeowners to follow safety recommendations of APSP/ANSI, local ordinances & equipment manufacturers.

- All work not specifically shown here is to be done in accordance with the requirements of the 2018 INTERNATIONAL SWIMMING POOL & SPA CODE, APSP/ANSI/ICC-5 2011 STANDARDS FOR RESIDENTIAL INGROUND SWIMMING POOLS, and all other local building codes.
- Construction Drawing: Different methods and precautions may be dictated by various ground conditions. This is to be determined by and is the responsibility of the contractor who is not an agent of the manufacturer of the component parts.
- Depth and shape of the pool meet minimum standards of the 2018 INTERNATIONAL SWIMMING POOL & SPA CODE and the APSP/ANSI/ICC-5 2011 STANDARDS FOR RESIDENTIAL INGROUND SWIMMING POOLS.
- A means of entry & exit for the deep end & shallow end of the pool must be provided in accordance with 2018 INTERNATIONAL SWIMMING POOL & SPA CODE, section 809.
- Equipotential bonding must be provided in accordance with the NATIONAL ELECTRIC CODE, NFPA 70.
- All A-frame braces are to be contained within an 8" thick continuous poured concrete (2500 psi) perimeter collar.
- Backfill with clean earth, free of roots and debris.
- Finished bottom is to be 2" minimum of suitable material or undisturbed earth.
- 3' wide, 3" thick concrete deck is to be poured at a slope of 1/4" to 1' away from the pool.
- NO DIVING labels are to be installed around the perimeter of the pool.
- A safety line, with buoys, is to be permanently attached 10' to the shallow side of the point of first slope change.
- Suction entrapment avoidance to be installed in accordance with APSP/ANSI/ICC-7



12' x 24'

2' Radius Rectangle

Perimeter	68'-7"	page 1 of 1	No Stairs	8' Steel - End	6' Steel - Left	6' Steel - Right	8' Plastic - End
Surface Area	284.57 SF						
Volume	7800 gal						
Liner Sq. Ft.	288.0000 SF						
ITEM #	PART DESCRIPTION						
04101 / 05102	8' Plain Panel	3	3	4	4	3	
04102 / 05104	8' Skimmer Panel - 1085	1	1	1	1	1	
04103 / 05108	8' Return Panel	2	1	1	1	2	
04110	4' Plain Panel	2	2	1	1	2	
04114	2' Plain Panel			1	1		
04116	2' Radius Corner Panel	4	4	3	3	4	
04206(U)	Left Rectangle Stair Filler		1	1			
04207(U)	Right Rectangle Stair Filler		1		1		
04120	5" Side Stair Panel			1	1		
----	Adjustable A-Frame	4	4	6	6	6	
04188B	8' Steel Stair		1				
04151B	6' Steel Stair			1	1		
074185NR	8' Step-n-Rest					1	
PAK-75	Nut & Bolt Pak - 75 pcs	2	2	2	2	2	
PAK-100	Nut & Bolt Pak - 100 pcs						
04104 / 05109	8' Light Panel						

ALL DIMENSIONS ARE FINISH DIMENSIONS

** see page A19 (full steel) & A20 (Nexus) for Straight Steel Stair Filler specifications
 ** Coping Layouts are shown on pages A62 (Progressive) & A89 (CP2)

FROM **A** TO:

D	26'-10"
H	8'-11 1/4"
J	16'
K	11'-3 3/4"
L	20'

FROM **B** TO:

C	26'-10"
H	16'-6"
J	8'
K	17'-10 3/4"
L	14'-5"

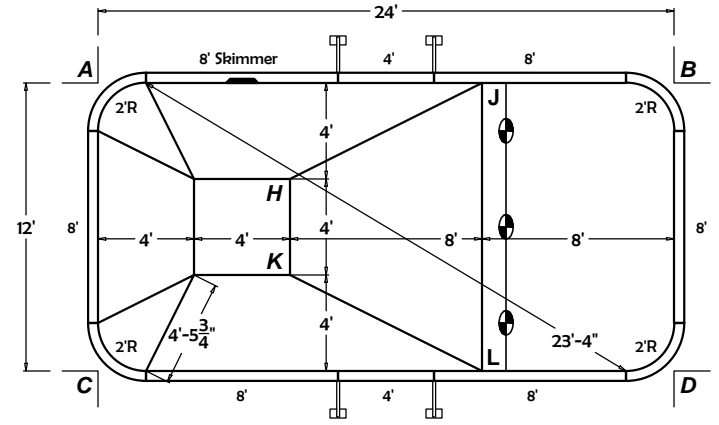
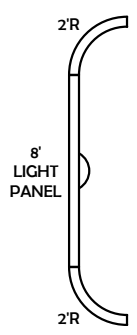
FROM **C** TO:

B	26'-10"
H	11'-3 3/4"
J	20'
K	8'-11 1/4"
L	16'

FROM **D** TO:

A	26'-10"
H	17'-10 3/4"
J	14'-5"
K	16'-6"
L	8'

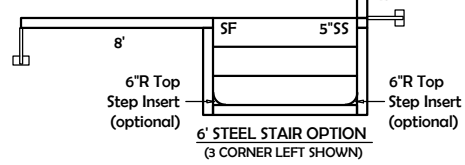
CENTER LIGHT PANEL OPTION



-- A-FRAME BRACE

SF--RECTANGLE STAIR FILLER (04206U / 04207U)
 5"SS--5" SIDE STAIR PANEL (04120)

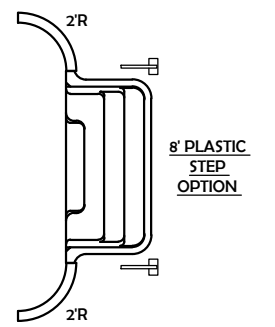
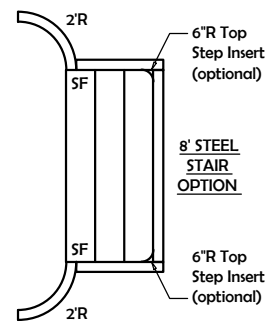
NOTE: The thermoplastic side step is not available for the 12' x 24' x 2'R Series.



6' STEEL STAIR OPTION
 (3 CORNER LEFT SHOWN)

* Nexus stair option is available using the identical panel layout

* Nexus stair option is available using the identical panel layout

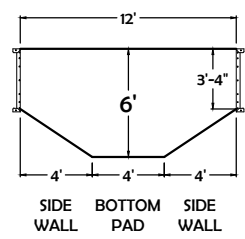
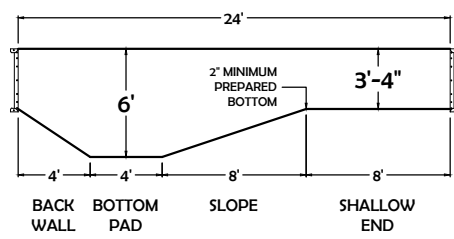


NO DIVING PERMITTED INTO THIS POOL

The bottom configuration shown conforms with current ISPS & ANSI / APSP / ICC suggested minimum standards for pools NOT approved for diving.

WARNING: Swimming pools can be dangerous if used improperly. Consult your dealer for information on safe use. It's the responsibility of town officials, builders and homeowners to follow safety recommendations of APSP/ANSI, local ordinances & equipment manufacturers.

- All work not specifically shown here is to be done in accordance with the requirements of the 2018 INTERNATIONAL SWIMMING POOL & SPA CODE, APSP/ANSI/ICC-5 2011 STANDARDS FOR RESIDENTIAL INGROUND SWIMMING POOLS, and all other local building codes.
- Construction Drawing: Different methods and precautions may be dictated by various ground conditions. This is to be determined by and is the responsibility of the contractor who is not an agent of the manufacturer of the component parts.
- Depth and shape of the pool meet minimum standards of the 2018 INTERNATIONAL SWIMMING POOL & SPA CODE and the APSP/ANSI/ICC-5 2011 STANDARDS FOR RESIDENTIAL INGROUND SWIMMING POOLS.
- A means of entry & exit for the deep end & shallow end of the pool must be provided in accordance with 2018 INTERNATIONAL SWIMMING POOL & SPA CODE, section 809.
- Equipotential bonding must be provided in accordance with the NATIONAL ELECTRIC CODE, NFPA 70.
- All A-frame braces are to be contained within an 8" thick continuous poured concrete (2500 psi) perimeter collar.
- Backfill with clean earth, free of roots and debris.
- Finished bottom is to be 2" minimum of suitable material or undisturbed earth.
- 3" wide, 3" thick concrete deck is to be poured at a slope of 1/4" to 1' away from the pool.
- NO DIVING labels are to be installed around the perimeter of the pool.
- A safety line, with buoys, is to be permanently attached 10' to the shallow side of the point of first slope change.
- Suction entrapment avoidance to be installed in accordance with APSP/ANSI/ICC-7



14' x 28'

2' Radius Rectangle

Perimeter	80'-7"	page 1 of 1	No Stairs	8' Steel - End	6' Steel - Left	6' Steel - Right	8' Plastic - End
Surface Area	388.57 SF						
Volume	10350 gal						
Liner Sq. Ft.	392.0000 SF						
ITEM #	PART DESCRIPTION						
04101 / 05102	8' Plain Panel	5	5	5	5	4	
04102 / 05104	8' Skimmer Panel - 1085	1	1	1	1	1	
04103 / 05108	8' Return Panel	2	1	1	1	2	
04110	4' Plain Panel			2	2		
04114	2' Plain Panel	2	1	1	1	1	
04119	1' Plain Panel		2			2	
04116	2' Radius Corner Panel	4	4	3	3	4	
04206(U)	Left Rectangle Stair Filler		1	1			
04207(U)	Right Rectangle Stair Filler		1		1		
04120	5" Side Stair Panel			1	1		
----	Adjustable A-Frame	6	5	7	7	7	
04188B	8' Steel Stair		1				
04151B	6' Steel Stair			1	1		
074185NR	8' Step-n-Rest					1	
PAK-75	Nut & Bolt Pak - 75 pcs	1	1	1	1	1	
PAK-100	Nut & Bolt Pak - 100 pcs	1	1	1	1	1	
04104 / 05109	8' Light Panel						

ALL DIMENSIONS ARE FINISH DIMENSIONS

** see page A19 (full steel) & A20 (Nexus) for Straight Steel Stair Filler specifications
 ** Coping Layouts are shown on pages A62 (Progressive) & A89 (CP2)

FROM **A** TO:

D	31'-3 3/4"
H	8'-11 1/4"
J	20'
K	12'-9 3/4"
L	24'-5"

FROM **B** TO:

C	31'-3 3/4"
H	20'-4 3/4"
J	8'
K	22'-4 1/4"
L	16'-1 1/2"

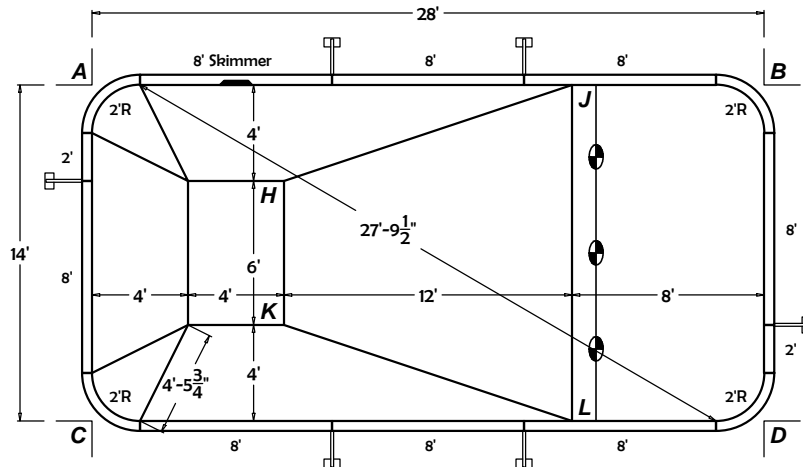
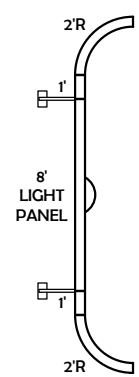
FROM **C** TO:

B	31'-3 3/4"
H	12'-9 3/4"
J	24'-5"
K	8'-11 1/4"
L	20'

FROM **D** TO:

A	31'-3 3/4"
H	22'-4 1/4"
J	16'-1 1/2"
K	20'-4 3/4"
L	8'

CENTER LIGHT PANEL OPTION

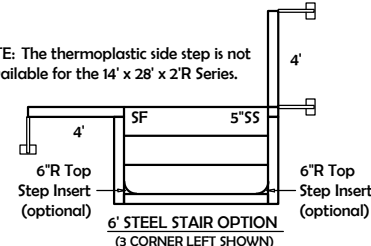


-- A-FRAME BRACE

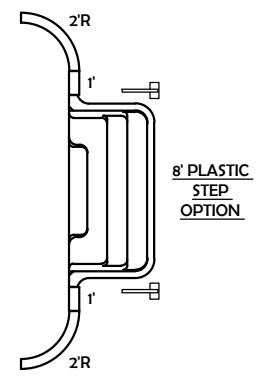
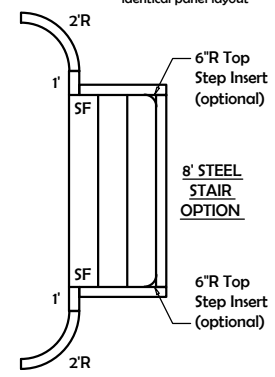
SF--RECTANGLE STAIR FILLER (04206U / 04207U)
 5"SS--5" SIDE STAIR PANEL (04120)

NOTE: The thermoplastic side step is not available for the 14' x 28' x 2'R Series.

* Nexus stair option is available using the identical panel layout



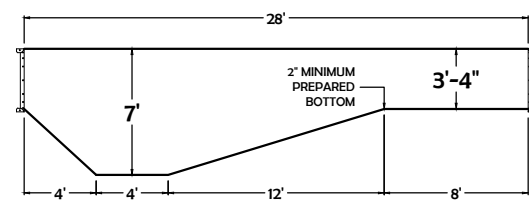
* Nexus stair option is available using the identical panel layout



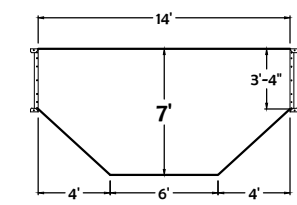
NO DIVING PERMITTED INTO THIS POOL
 The bottom configuration shown conforms with current ISPS & ANSI / APSP / ICC suggested minimum standards for pools NOT approved for diving.

WARNING: Swimming pools can be dangerous if used improperly. Consult your dealer for information on safe use. It's the responsibility of town officials, builders and homeowners to follow safety recommendations of APSP/ANSI, local ordinances & equipment manufacturers.

- All work not specifically shown here is to be done in accordance with the requirements of the 2018 INTERNATIONAL SWIMMING POOL & SPA CODE, APSP/ANSI/ICC-5 2011 STANDARDS FOR RESIDENTIAL INGROUND SWIMMING POOLS, and all other local building codes.
- Construction Drawing: Different methods and precautions may be dictated by various ground conditions. This is to be determined by and is the responsibility of the contractor who is not an agent of the manufacturer of the component parts.
- Depth and shape of the pool meet minimum standards of the 2018 INTERNATIONAL SWIMMING POOL & SPA CODE and the APSP/ANSI/ICC-5 2011 STANDARDS FOR RESIDENTIAL INGROUND SWIMMING POOLS.
- A means of entry & exit for the deep end & shallow end of the pool must be provided in accordance with 2018 INTERNATIONAL SWIMMING POOL & SPA CODE, section 809.
- Equipotential bonding must be provided in accordance with the NATIONAL ELECTRIC CODE, NFPA 70.
- All A-frame braces are to be contained within an 8" thick continuous poured concrete (2500 psi) perimeter collar.
- Backfill with clean earth, free of roots and debris.
- Finished bottom is to be 2" minimum of suitable material or undisturbed earth.
- 3" wide, 3" thick concrete deck is to be poured at a slope of 1/8" to 1' away from the pool.
- NO DIVING labels are to be installed around the perimeter of the pool.
- A safety line, with buoys, is to be permanently attached 10' to the shallow side of the point of first slope change.
- Suction entrapment avoidance to be installed in accordance with APSP/ANSI/ICC-7



BACK WALL BOTTOM PAD SLOPE SHALLOW END



SIDE WALL BOTTOM PAD SIDE WALL

16' x 32'

2' Radius Rectangle

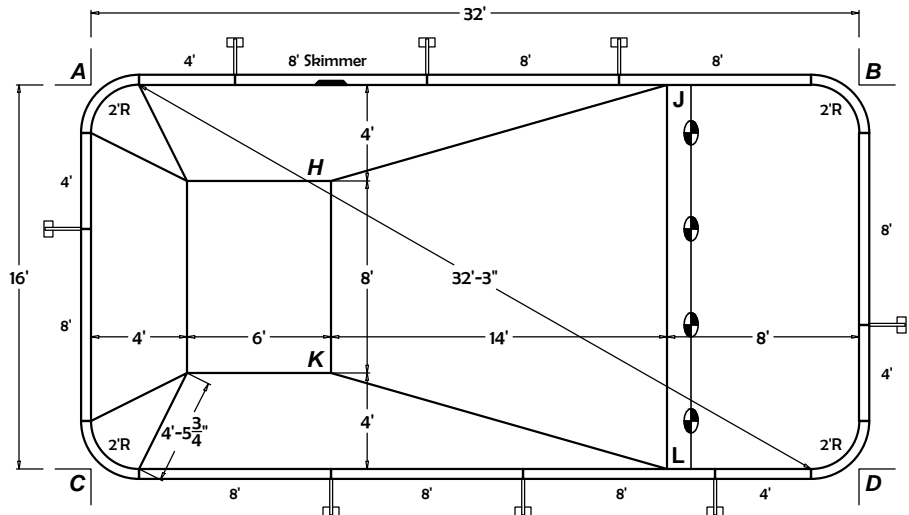
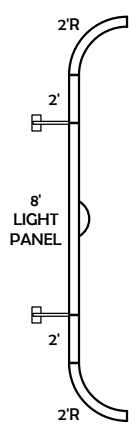
Perimeter	92'-7"	page 1 of 1	No Stairs	8' Steel - End	6' Steel - Left	6' Steel - Right	8' Plastic - End
Surface Area	508.57 SF						
Volume	17450 gal						
Liner Sq. Ft.	512.0000 SF						
ITEM #	PART DESCRIPTION						
04101 / 05102	8' Plain Panel	5	5	6	6	4	
04102 / 05104	8' Skimmer Panel - 1085	1	1	1	1	1	
04103 / 05108	8' Return Panel	2	1	1	1	2	
04106 / 05112	6' Plain Panel			1	1		
04110	4' Plain Panel	4	3	2	2	3	
04114	2' Plain Panel		2			2	
04116	2' Radius Corner Panel	4	4	3	3	4	
04206(U)	Left Rectangle Stair Filler		1	1			
04207(U)	Right Rectangle Stair Filler		1		1		
04120	5" Side Stair Panel			1	1		
----	Adjustable A-Frame	8	7	8	8	9	
04188B	8' Steel Stair		1				
04151B	6' Steel Stair			1	1		
074185NR	8' Step-n-Rest					1	
PAK-75	Nut & Bolt Pak - 75 pcs						
PAK-100	Nut & Bolt Pak - 100 pcs	2	2	2	2	2	
04104 / 05109	8' Light Panel						

ALL DIMENSIONS ARE FINISH DIMENSIONS

** see page A19 (full steel) & A20 (Nexus) for Straight Steel Stair Filler specifications
 ** Coping Layouts are shown on pages A62 (Progressive) & A89 (CP2)

FROM A TO:		FROM B TO:		FROM C TO:		FROM D TO:	
D	35'-9 1/4"	C	35'-9 1/4"	B	35'-9 1/4"	A	35'-9 1/4"
H	10'-9 1/4"	H	22'-4 1/4"	H	15'-7 1/2"	H	25'-0 3/4"
J	24"	J	8"	J	28'-10 1/4"	J	17'-10 3/4"
K	15'-7 1/2"	K	25'-0 3/4"	K	10'-9 1/4"	K	22'-4 1/4"
L	28'-10 1/4"	L	17'-10 3/4"	L	24"	L	8"

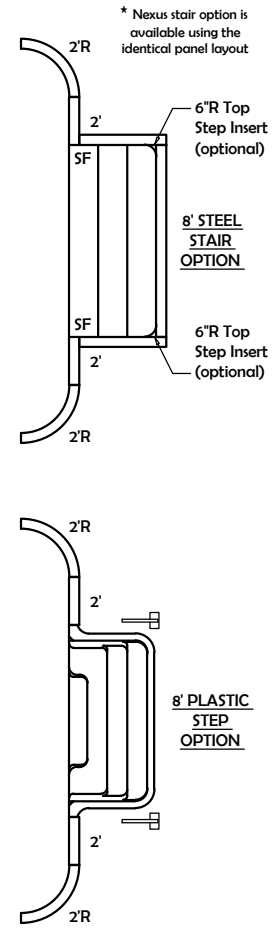
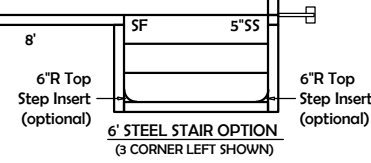
CENTER LIGHT PANEL OPTION



SF--RECTANGLE STAIR FILLER (04206U / 04207U)
 5"SS--5" SIDE STAIR PANEL (04120)

NOTE: The thermoplastic side step is not available for the 16' x 32' x 2'R Series.

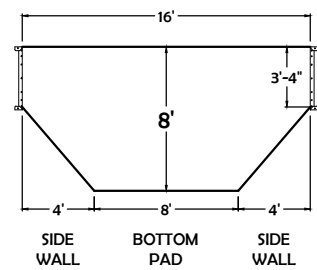
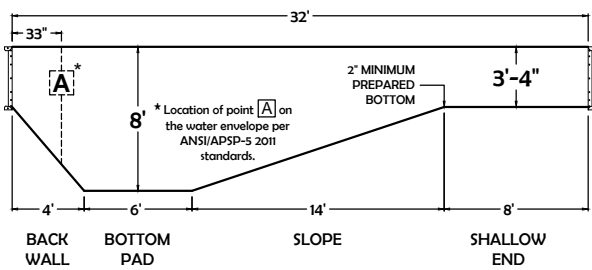
* Nexus stair option is available using the identical panel layout



DIVING PERMITTED ONLY FROM DESIGNATED DIVING AREA.
 The bottom configuration shown conforms with current ISPSC & ANSI / APSP / ICC suggested minimum standards for pools approved for use with manufactured diving equipment.

WARNING: Swimming pools can be dangerous if used improperly. Consult your dealer for information on safe use. It's the responsibility of town officials, builders and homeowners to follow safety recommendations of APSP/ANSI, local ordinances & equipment manufacturers.

- All work not specifically shown here is to be done in accordance with the requirements of the 2018 INTERNATIONAL SWIMMING POOL & SPA CODE, APSP/ANSI/ICC-5 2011 STANDARDS FOR RESIDENTIAL INGROUND SWIMMING POOLS, and all other local building codes.
- Construction Drawing: Different methods and precautions may be dictated by various ground conditions. This is to be determined by and is the responsibility of the contractor who is not an agent of the manufacturer of the component parts.
- Depth and shape of the pool meet minimum standards of the 2018 INTERNATIONAL SWIMMING POOL & SPA CODE and the APSP/ANSI/ICC-5 2011 STANDARDS FOR RESIDENTIAL INGROUND SWIMMING POOLS.
- A means of entry & exit for the deep end & shallow end of the pool must be provided in accordance with 2018 INTERNATIONAL SWIMMING POOL & SPA CODE, section 809.
- Equipotential bonding must be provided in accordance with the NATIONAL ELECTRIC CODE, NFPA 70.
- All A-frame braces are to be contained within an 8" thick continuous poured concrete (2500 psi) perimeter collar.
- Backfill with clean earth, free of roots and debris.
- Finished bottom is to be 2" minimum of suitable material or undisturbed earth.
- 3" wide, 3" thick concrete deck is to be poured at a slope of 1/4" to 1' away from the pool.
- NO DIVING labels are to be installed around the perimeter of the pool.
- A safety line, with buoys, is to be permanently attached 10' to the shallow side of the point of first slope change.
- Suction entrapment avoidance to be installed in accordance with APSP/ANSI/ICC-7



16' x 36'

2' Radius Rectangle

Perimeter	100'-7"	page 1 of 1
Surface Area	572.57 SF	
Volume	18800 gal	
Liner Sq. Ft.	576.0000 SF	

ITEM #	PART DESCRIPTION	No Stairs	8' Steel - End	8' Steel - Left	8' Steel - Right	8' Plastic - End	8' Plastic - Side
04101 / 05102	8' Plain Panel	7	7	7	7	6	6
04102 / 05104	8' Skimmer Panel - 1085	1	1	1	1	1	1
04103 / 05108	8' Return Panel	2	1	1	1	2	2
04106 / 05112	6' Plain Panel			1	1		
04110	4' Plain Panel	2	1	1	1	1	2
04114	2' Plain Panel		2	1	1	2	
04116	2' Radius Corner Panel	4	4	3	3	4	4
04206(U)	Left Rectangle Stair Filler		1	1			
04207(U)	Right Rectangle Stair Filler		1		1		
04120	5" Side Stair Panel			1	1		
----	Adjustable A-Frame	8	7	9	9	9	9
04188B	8' Steel Stair		1	1	1		
074185NR	8' Step-n-Rest					1	1
PAK-75	Nut & Bolt Pak - 75 pcs						
PAK-100	Nut & Bolt Pak - 100 pcs	2	2	2	2	2	2
04104 / 05109	8' Light Panel						

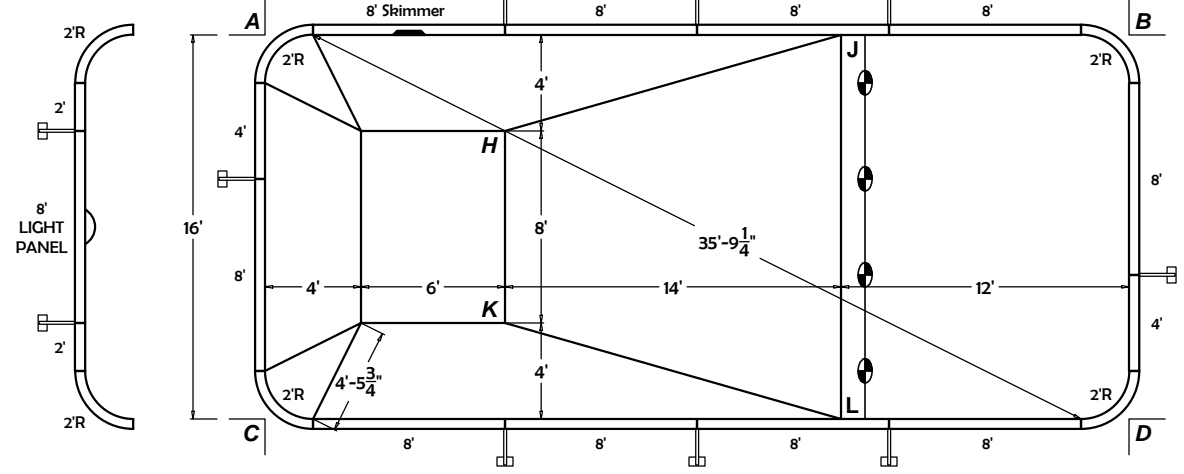
ALL DIMENSIONS ARE FINISH DIMENSIONS

** see page A19 (full steel) & A20 (Nexus) for Straight Steel Stair Filler specifications

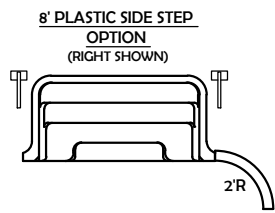
** Coping Layouts are shown on pages A63 (Progressive) & A90 (CP2)

FROM A TO:		FROM B TO:		FROM C TO:		FROM D TO:	
D	39'-4 3/4"	C	39'-4 3/4"	B	39'-4 3/4"	A	39'-4 3/4"
H	10'-9 1/4"	H	26'-3 3/4"	H	15'-7 1/2"	H	28'-7 3/4"
J	24'	J	12'	J	28'-10 1/4"	J	20'
K	15'-7 1/2"	K	28'-7 3/4"	K	10'-9 1/4"	K	26'-3 3/4"
L	28'-10 1/4"	L	20'	L	24'	L	12'

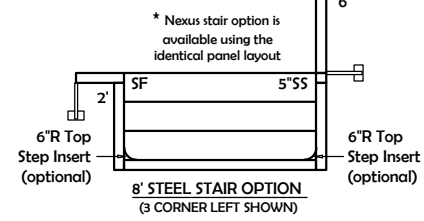
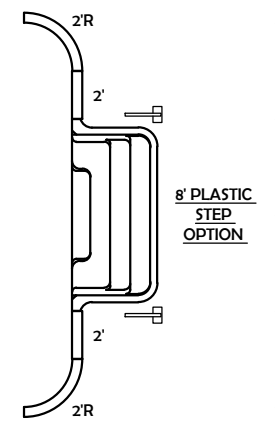
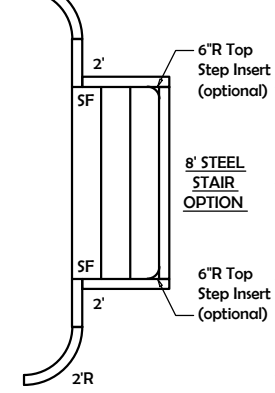
CENTER LIGHT PANEL OPTION



SF--RECTANGLE STAIR FILLER (04206U / 04207U)
5"SS--5" SIDE STAIR PANEL (04120)



* Nexus stair option is available using the identical panel layout

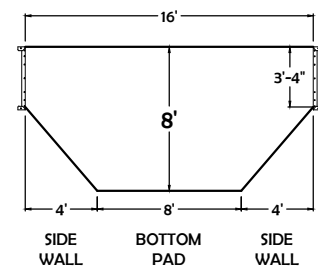
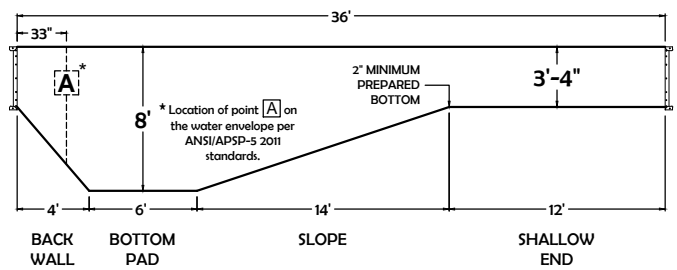


* Nexus stair option is available using the identical panel layout

DIVING PERMITTED ONLY FROM DESIGNATED DIVING AREA.
The bottom configuration shown conforms with current ISPSA & ANSI / APSP / ICC suggested minimum standards for pools approved for use with manufactured diving equipment.

WARNING: Swimming pools can be dangerous if used improperly. Consult your dealer for information on safe use. It's the responsibility of town officials, builders and homeowners to follow safety recommendations of APSP/ANSI, local ordinances & equipment manufacturers.

- All work not specifically shown here is to be done in accordance with the requirements of the 2018 INTERNATIONAL SWIMMING POOL & SPA CODE, APSP/ANSI/ICC-5 2011 STANDARDS FOR RESIDENTIAL INGROUND SWIMMING POOLS, and all other local building codes.
- Construction Drawing: Different methods and precautions may be dictated by various ground conditions. This is to be determined by and is the responsibility of the contractor who is not an agent of the manufacturer of the component parts.
- Depth and shape of the pool meet minimum standards of the 2018 INTERNATIONAL SWIMMING POOL & SPA CODE and the APSP/ANSI/ICC-5 2011 STANDARDS FOR RESIDENTIAL INGROUND SWIMMING POOLS.
- A means of entry & exit for the deep end & shallow end of the pool must be provided in accordance with 2018 INTERNATIONAL SWIMMING POOL & SPA CODE, section 809.
- Equipotential bonding must be provided in accordance with the NATIONAL ELECTRIC CODE, NFPA 70.
- All A-frame braces are to be contained within an 8" thick continuous poured concrete (2500 psi) perimeter collar.
- Backfill with clean earth, free of roots and debris.
- Finished bottom is to be 2" minimum of suitable material or undisturbed earth.
- 3" wide, 3" thick concrete deck is to be poured at a slope of 1/4" to 1' away from the pool.
- NO DIVING labels are to be installed around the perimeter of the pool.
- A safety line, with buoys, is to be permanently attached 10' to the shallow side of the point of first slope change.
- Suction entrapment avoidance to be installed in accordance with APSP/ANSI/ICC-7



18' x 36'

2' Radius Rectangle

Perimeter	104'-7"	page 1 of 1
Surface Area	644.57 SF	
Volume	21400 gal	
Liner Sq. Ft.	648.0000 SF	

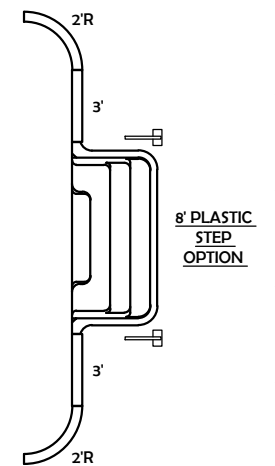
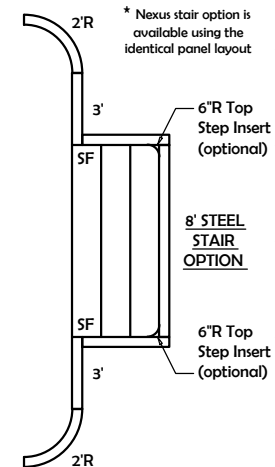
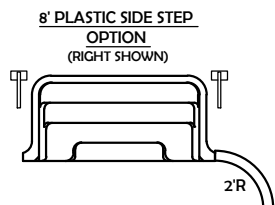
ITEM #	PART DESCRIPTION	No Stairs	8' Steel - End	8' Steel - Left	8' Steel - Right	8' Plastic - End	8' Plastic - Side
04101 / 05102	8' Plain Panel	7	7	8	8	6	6
04102 / 05104	8' Skimmer Panel - 1085	1	1	1	1	1	1
04103 / 05108	8' Return Panel	2	1	1	1	2	2
04106 / 05112	6' Plain Panel	2	1	1	1	1	2
04113	3' Plain Panel		2			2	
04114	2' Plain Panel			1	1		
04116	2' Radius Corner Panel	4	4	3	3	4	4
04206(U)	Left Rectangle Stair Filler		1	1			
04207(U)	Right Rectangle Stair Filler		1		1		
04120	5" Side Stair Panel			1	1		
----	Adjustable A-Frame	8	7	9	9	9	9
04188B	8' Steel Stair		1	1	1		
074185NR	8' Step-n-Rest					1	1
PAK-75	Nut & Bolt Pak - 75 pcs						
PAK-100	Nut & Bolt Pak - 100 pcs	2	2	2	2	2	2
04104 / 05109	8' Light Panel						

ALL DIMENSIONS ARE FINISH DIMENSIONS

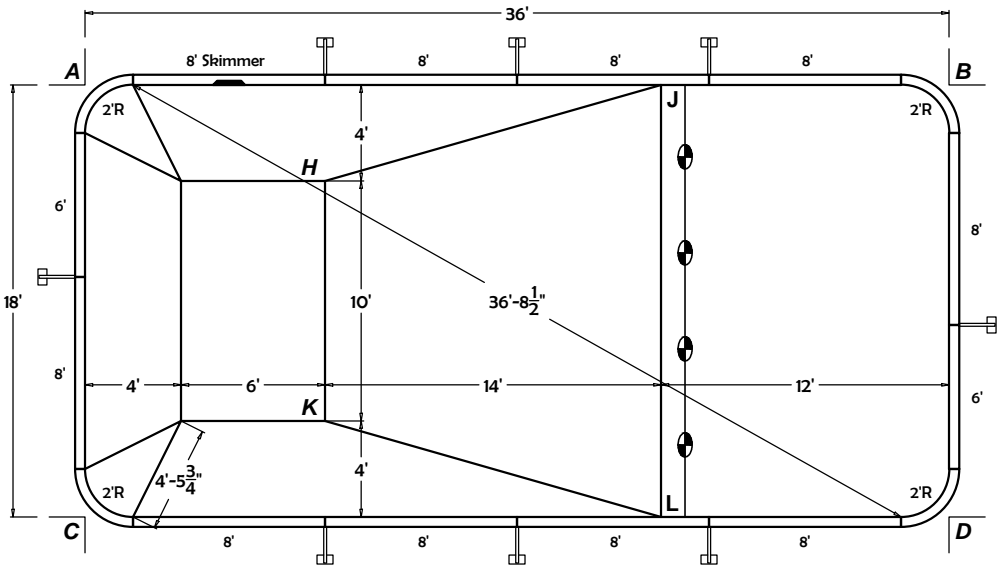
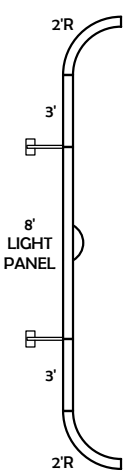
** see page A19 (full steel) & A20 (Nexus) for Straight Steel Stair Filler specifications

** Coping Layouts are shown on pages A63 - A64 (Progressive) & A90 - A91 (CP2)

FROM A TO:		FROM B TO:		FROM C TO:		FROM D TO:	
D	40'-3"	C	40'-3"	B	40'-3"	A	40'-3"
H	10'-9 1/4"	H	26'-3 3/4"	H	17'-2 1/2"	H	29'-6 1/4"
J	24"	J	12"	J	30"	J	21'-7 1/2"
K	17'-2 1/2"	K	29'-6 1/4"	K	10'-9 1/4"	K	26'-3 3/4"
L	30"	L	21'-7 1/2"	L	24"	L	12"



CENTER LIGHT PANEL OPTION

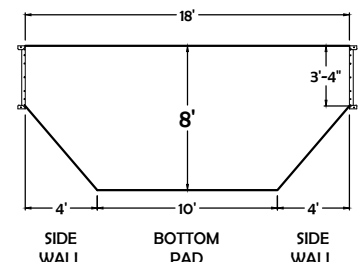
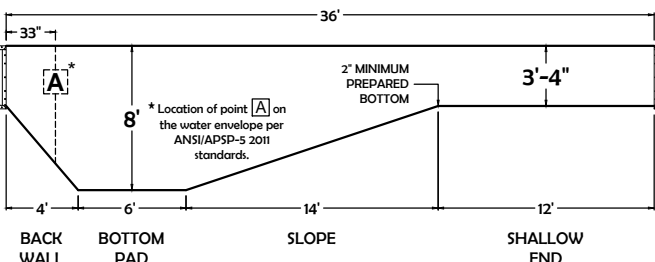
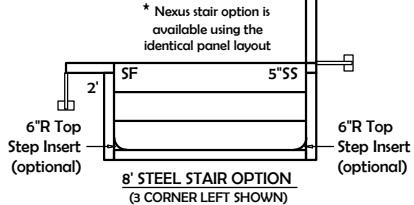


SF--RECTANGLE STAIR FILLER (04206U / 04207U)
5"SS--5" SIDE STAIR PANEL (04120)

DIVING PERMITTED ONLY FROM DESIGNATED DIVING AREA.
The bottom configuration shown conforms with current ISPSC & ANSI / APSP / ICC suggested minimum standards for pools approved for use with manufactured diving equipment.

WARNING: Swimming pools can be dangerous if used improperly. Consult your dealer for information on safe use. It's the responsibility of town officials, builders and homeowners to follow safety recommendations of APSP/ANSI, local ordinances & equipment manufacturers.

- All work not specifically shown here is to be done in accordance with the requirements of the 2018 INTERNATIONAL SWIMMING POOL & SPA CODE, APSP/ANSI/ICC-5 2011 STANDARDS FOR RESIDENTIAL INGROUND SWIMMING POOLS, and all other local building codes.
- Construction Drawing: Different methods and precautions may be dictated by various ground conditions. This is to be determined by and is the responsibility of the contractor who is not an agent of the manufacturer of the component parts.
- Depth and shape of the pool meet minimum standards of the 2018 INTERNATIONAL SWIMMING POOL & SPA CODE and the APSP/ANSI/ICC-5 2011 STANDARDS FOR RESIDENTIAL INGROUND SWIMMING POOLS.
- A means of entry & exit for the deep end & shallow end of the pool must be provided in accordance with 2018 INTERNATIONAL SWIMMING POOL & SPA CODE, section 809.
- Equipotential bonding must be provided in accordance with the NATIONAL ELECTRIC CODE, NFPA 70.
- All A-frame braces are to be contained within an 8" thick continuous poured concrete (2500 psi) perimeter collar.
- Backfill with clean earth, free of roots and debris.
- Finished bottom is to be 2" minimum of suitable material or undisturbed earth.
- 3' wide, 3" thick concrete deck is to be poured at a slope of 1/4" to 1' away from the pool. NO DIVING labels are to be installed around the perimeter of the pool.
- A safety line, with buoys, is to be permanently attached 10' to the shallow side of the point of first slope change.
- Suction entrapment avoidance to be installed in accordance with APSP/ANSI/ICC-7



20' x 40'

2' Radius Rectangle

Perimeter	116'-7"	page 1 of 1
Surface Area	796.57 SF	
Volume	27900 gal	
Liner Sq. Ft.	800.0000 SF	

ITEM #	PART DESCRIPTION	No Stairs	8' Steel - End	8' Steel - Left	8' Steel - Right	8' Plastic - End	8' Plastic - Side
04101 / 05102	8' Plain Panel	7	6	7	7	5	6
04102 / 05104	8' Skimmer Panel - 1085	2	2	2	2	2	2
04103 / 05108	8' Return Panel	3	2	2	2	3	3
04106 / 05112	6' Plain Panel			1	1		
04110	4' Plain Panel	2	4	1	1	4	2
04114	2' Plain Panel			1	1		
04116	2' Radius Corner Panel	4	4	3	3	4	4
04206(U)	Left Rectangle Stair Filler		1	1			
04207(U)	Right Rectangle Stair Filler		1		1		
04120	5" Side Stair Panel			1	1		
----	Adjustable A-Frame	10	9	11	11	11	11
04188B	8' Steel Stair		1	1	1		
074185NR	8' Step-n-Rest					1	1
PAK-75	Nut & Bolt Pak - 75 pcs	2	2	2	2	2	2
PAK-100	Nut & Bolt Pak - 100 pcs	1	1	1	1	1	1
04104 / 05109	8' Light Panel						

DIVING PERMITTED ONLY FROM DESIGNATED DIVING AREA.
The bottom configuration shown conforms with current ISPC & ANSI / APSP / ICC suggested minimum standards for pools approved for use with manufactured diving equipment.

WARNING: Swimming pools can be dangerous if used improperly. Consult your dealer for information on safe use. It's the responsibility of town officials, builders and homeowners to follow safety recommendations of APSP/ANSI, local ordinances & equipment manufacturers.

- All work not specifically shown here is to be done in accordance with the requirements of the 2018 INTERNATIONAL SWIMMING POOL & SPA CODE, APSP/ANSI/ICC-5 2011 STANDARDS FOR RESIDENTIAL INGROUND SWIMMING POOLS, and all other local building codes.
- Construction Drawing: Different methods and precautions may be dictated by various ground conditions. This is to be determined by and is the responsibility of the contractor who is not an agent of the manufacturer of the component parts.
- Depth and shape of the pool meet minimum standards of the 2018 INTERNATIONAL SWIMMING POOL & SPA CODE and the APSP/ANSI/ICC-5 2011 STANDARDS FOR RESIDENTIAL INGROUND SWIMMING POOLS.
- A means of entry & exit for the deep end & shallow end of the pool must be provided in accordance with 2018 INTERNATIONAL SWIMMING POOL & SPA CODE, section 809.
- Equipotential bonding must be provided in accordance with the NATIONAL ELECTRIC CODE, NFPA 70.
- All A-frame braces are to be contained within an 8" thick continuous poured concrete (2500 psi) perimeter collar.
- Backfill with clean earth, free of roots and debris.
- Finished bottom is to be 2" minimum of suitable material or undisturbed earth.
- 3" wide, 3" thick concrete deck is to be poured at a slope of 1/4" to 1' away from the pool.
- NO DIVING labels are to be installed around the perimeter of the pool.
- A safety line, with buoys, is to be permanently attached 10' to the shallow side of the point of first slope change.
- Suction entrapment avoidance to be installed in accordance with APSP/ANSI/ICC-7

ALL DIMENSIONS ARE FINISH DIMENSIONS

** see page A19 (full steel) & A20 (Nexus) for Straight Steel Stair Filler specifications
** Coping Layouts are shown on pages A64 (Progressive) & A91 (CP2)

FROM **A** TO:

D	44'-8 3/4"
H	14'-6 3/4"
J	28'
K	21'-3"
L	34'-5"

FROM **B** TO:

C	44'-8 3/4"
H	26'-3 3/4"
J	12'
K	30'-6 1/4"
L	23'-4"

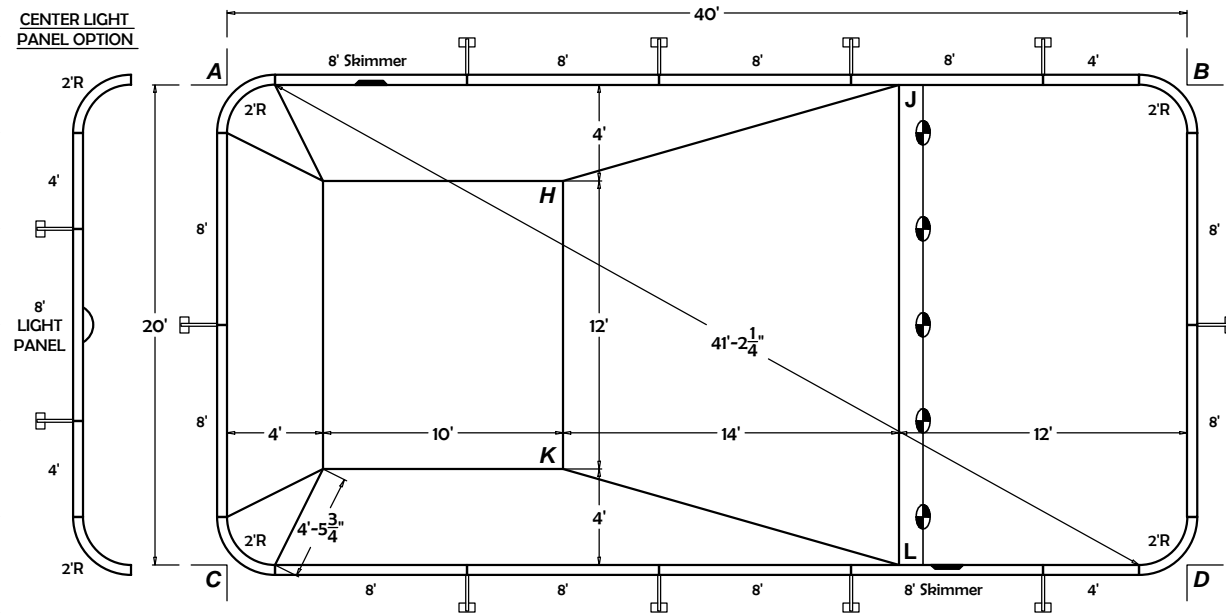
FROM **C** TO:

B	44'-8 3/4"
H	21'-5"
J	34'-5"
K	14'-6 3/4"
L	28'

FROM **D** TO:

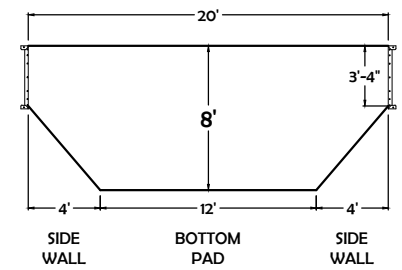
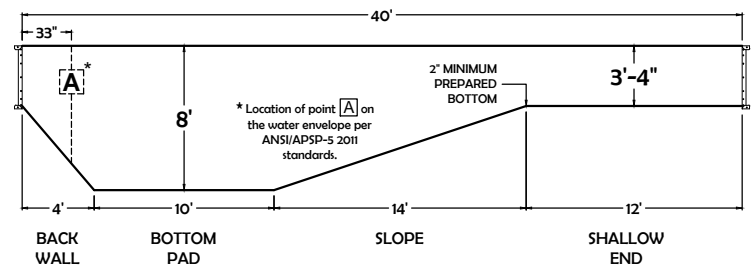
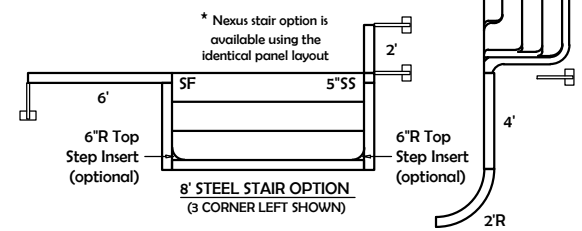
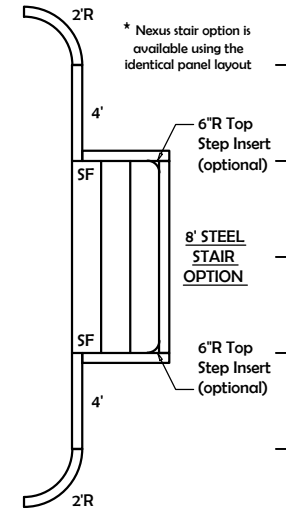
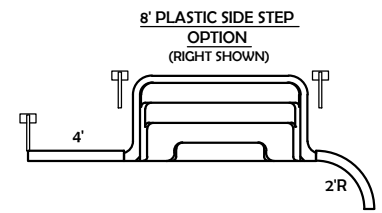
A	44'-8 3/4"
H	30'-6 1/4"
J	23'-4"
K	26'-3 3/4"
L	12'

CENTER LIGHT PANEL OPTION



-- A-FRAME BRACE

SF--RECTANGLE STAIR FILLER (04206U / 04207U)
5"SS--5" SIDE STAIR PANEL (04120)



16' x 37' x 24' Right 2' Radius True EL

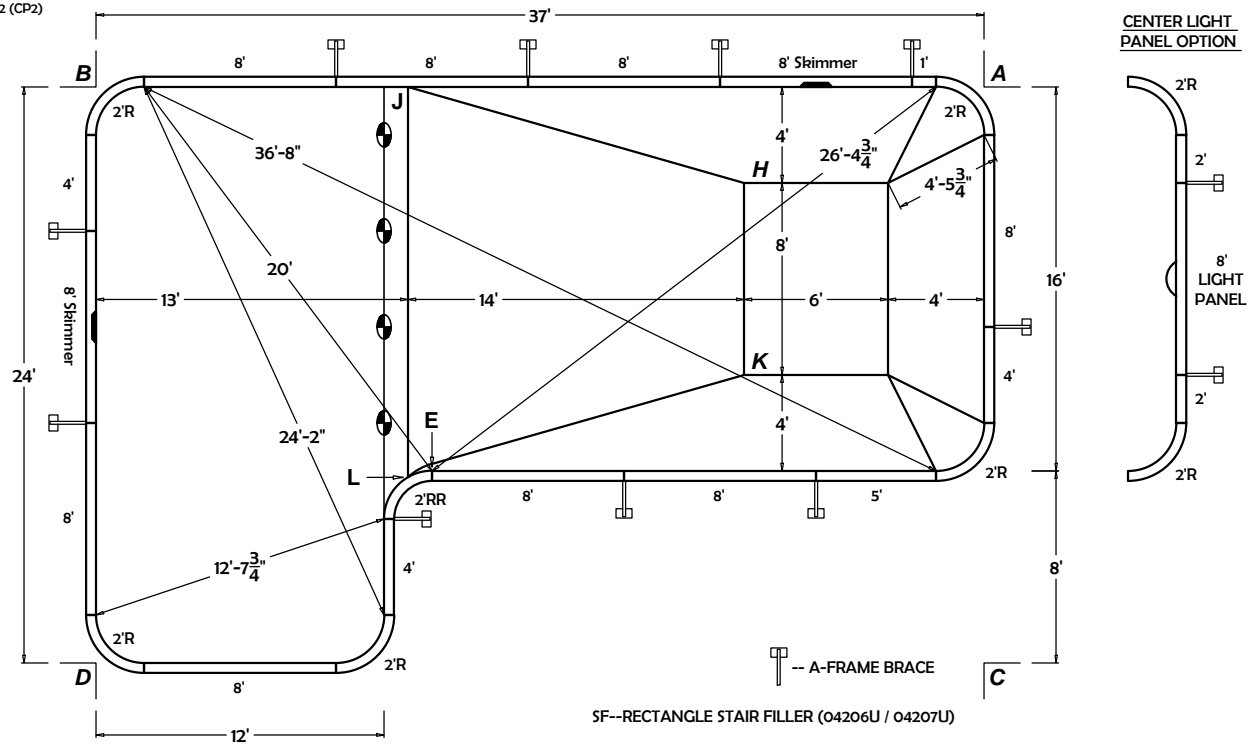
Perimeter	116'-10"	page	
Surface Area	684.56 SF	1 of 1	
Volume	21600 gal		
Liner Sq. Ft.	688.0000 SF		

ITEM #	PART DESCRIPTION	No Stairs	8' Steel - End	8' Plastic - End
04101 / 05102	8' Plain Panel	5	5	4
04102 / 05104	8' Skimmer Panel - 1085	2	2	2
04103 / 05108	8' Return Panel	3	2	3
04107	5' Plain Panel	1	1	1
04110	4' Plain Panel	3	3	3
04119	1' Plain Panel	1	1	1
04116	2' Radius Corner Panel	5	5	5
04137	2' Reverse Radius Panel	1	1	1
04206(U)	Left Rectangle Stair Filler		1	
04207(U)	Right Rectangle Stair Filler		1	
----	Adjustable A-Frame	10	10	12
04188B	8' Steel Stair		1	
074185NR	8' Step-n-Rest			1
PAK-75	Nut & Bolt Pak - 75 pcs	3	3	3
PAK-100	Nut & Bolt Pak - 100 pcs			
04104 / 05109	8' Light Panel			
04114	2' Plain Panel			

ALL DIMENSIONS ARE FINISH DIMENSIONS

** see page A19 (full steel) & A20 (Nexus) for Straight Steel Stair Filler specifications
 ** see page A46 Steel Corner Filler specifications
 ** Coping Layouts are shown on pages A65 (Progressive) & A92 (CP2)

FROM A TO:		FROM B TO:		FROM C TO:		FROM D TO:	
D	44'-1 1/4"	C	44'-1 1/4"	B	44'-1 1/4"	A	44'-1 1/4"
E	28'-0 1/4"	E	21'-3"	E	24'-4 1/4"	E	16'-1 1/2"
H	10'-9 1/4"	H	27'-3 1/2"	H	22'-4 1/4"	H	33'-7 1/4"
J	24'	J	13'	J	33'-11 1/4"	J	27'-3 1/2"
K	15'-7 1/2"	K	29'-6 1/2"	K	15'-7 1/2"	K	29'-6 1/2"
L	29'	L	20'-10"	L	25'-2 1/2"	L	15'-1 1/2"

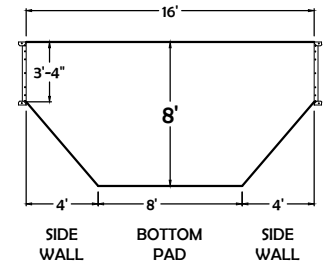
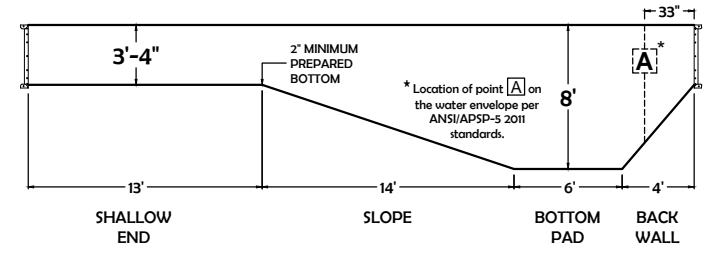
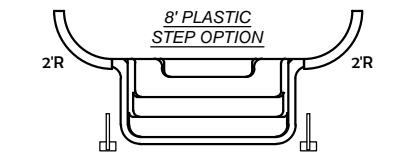
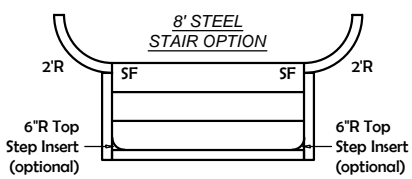


DIVING PERMITTED ONLY FROM DESIGNATED DIVING AREA.
 The bottom configuration shown conforms with current ISPSC & ANSI / APSP / ICC suggested minimum standards for pools approved for use with manufactured diving equipment.

WARNING: Swimming pools can be dangerous if used improperly. Consult your dealer for information on safe use. It's the responsibility of town officials, builders and homeowners to follow safety recommendations of APSP/ANSI, local ordinances & equipment manufacturers.

- All work not specifically shown here is to be done in accordance with the requirements of the 2018 INTERNATIONAL SWIMMING POOL & SPA CODE, APSP/ANSI/ICC-5 2011 STANDARDS FOR RESIDENTIAL INGROUND SWIMMING POOLS, and all other local building codes.
- Construction Drawing: Different methods and precautions may be dictated by various ground conditions. This is to be determined by and is the responsibility of the contractor who is not an agent of the manufacturer of the component parts.
- Depth and shape of the pool meet minimum standards of the 2018 INTERNATIONAL SWIMMING POOL & SPA CODE and the APSP/ANSI/ICC-5 2011 STANDARDS FOR RESIDENTIAL INGROUND SWIMMING POOLS.
- A means of entry & exit for the deep end & shallow end of the pool must be provided in accordance with 2018 INTERNATIONAL SWIMMING POOL & SPA CODE, section 809.
- Equipotential bonding must be provided in accordance with the NATIONAL ELECTRIC CODE, NFPA 70.
- All A-frame braces are to be contained within an 8" thick continuous poured concrete (2500 psi) perimeter collar.
- Backfill with clean earth, free of roots and debris.
- Finished bottom is to be 2" minimum of suitable material or undisturbed earth.
- 3' wide, 3" thick concrete deck is to be poured at a slope of 1/8" to 1' away from the pool.
- NO DIVING labels are to be installed around the perimeter of the pool.
- A safety line, with buoys, is to be permanently attached 10' to the shallow side of the point of first slope change.
- Suction entrapment avoidance to be installed in accordance with APSP/ANSI/ICC-7

* Nexus stair option is available using the identical panel layout



20' x 43' x 28' Left 2' Radius True EL

Perimeter	136'-10"	page 1 of 1
Surface Area	984.56 SF	
Volume	31350 gal	
Liner Sq. Ft.	988.0000 SF	

ITEM #	PART DESCRIPTION	No Stairs	8' Steel - End	8' Plastic - End
04101 / 05102	8' Plain Panel	7	7	6
04102 / 05104	8' Skimmer Panel - 1085	2	2	2
04103 / 05108	8' Return Panel	3	2	3
04105 / 05110	7' Plain Panel	2	2	2
04110	4' Plain Panel	2	2	2
04114	2' Plain Panel		2	2
04116	2' Radius Corner Panel	5	5	5
04137	2' Reverse Radius Panel	1	1	1
04206(U)	Left Rectangle Stair Filler	1		
04207(U)	Right Rectangle Stair Filler	1		
----	Adjustable A-Frame	10	10	12
04188B	8' Steel Stair		1	
074185NR	8' Step-n-Rest			1
PAK-75	Nut & Bolt Pak - 75 pcs	2	2	2
PAK-100	Nut & Bolt Pak - 100 pcs	1	1	1
04104 / 05109	8' Light Panel			

DIVING PERMITTED ONLY FROM DESIGNATED DIVING AREA.
The bottom configuration shown conforms with current ISPSC & ANSI / APSP / ICC suggested minimum standards for pools approved for use with manufactured diving equipment.

WARNING: Swimming pools can be dangerous if used improperly. Consult your dealer for information on safe use. It's the responsibility of town officials, builders and homeowners to follow safety recommendations of APSP/ANSI, local ordinances & equipment manufacturers.

- All work not specifically shown here is to be done in accordance with the requirements of the 2018 INTERNATIONAL SWIMMING POOL & SPA CODE, APSP/ANSI/ICC-5 2011 STANDARDS FOR RESIDENTIAL INGROUND SWIMMING POOLS, and all other local building codes.
- Construction Drawing: Different methods and precautions may be dictated by various ground conditions. This is to be determined by and is the responsibility of the contractor who is not an agent of the manufacturer of the component parts.
- Depth and shape of the pool meet minimum standards of the 2018 INTERNATIONAL SWIMMING POOL & SPA CODE and the APSP/ANSI/ICC-5 2011 STANDARDS FOR RESIDENTIAL INGROUND SWIMMING POOLS.
- A means of entry & exit for the deep end & shallow end of the pool must be provided in accordance with 2018 INTERNATIONAL SWIMMING POOL & SPA CODE, section 809.
- Equipotential bonding must be provided in accordance with the NATIONAL ELECTRIC CODE, NFPA 70.
- All A-frame braces are to be contained within an 8" thick continuous poured concrete (2500 psi) perimeter collar.
- Backfill with clean earth, free of roots and debris.
- Finished bottom is to be 2" minimum of suitable material or undisturbed earth.
- 3" wide, 3" thick concrete deck is to be poured at a slope of 1/4" to 1' away from the pool.
- NO DIVING labels are to be installed around the perimeter of the pool.
- A safety line, with buoys, is to be permanently attached 10' to the shallow side of the point of first slope change.
- Suction entrapment avoidance to be installed in accordance with APSP/ANSI/ICC-7

ALL DIMENSIONS ARE FINISH DIMENSIONS

** see page A19 (full steel) & A20 (Nexus) for Straight Steel Stair Filler specifications
** see page A46 Steel Corner Filler specifications
** Coping Layouts are shown on pages: A66 (Progressive) & A93 (CP2)

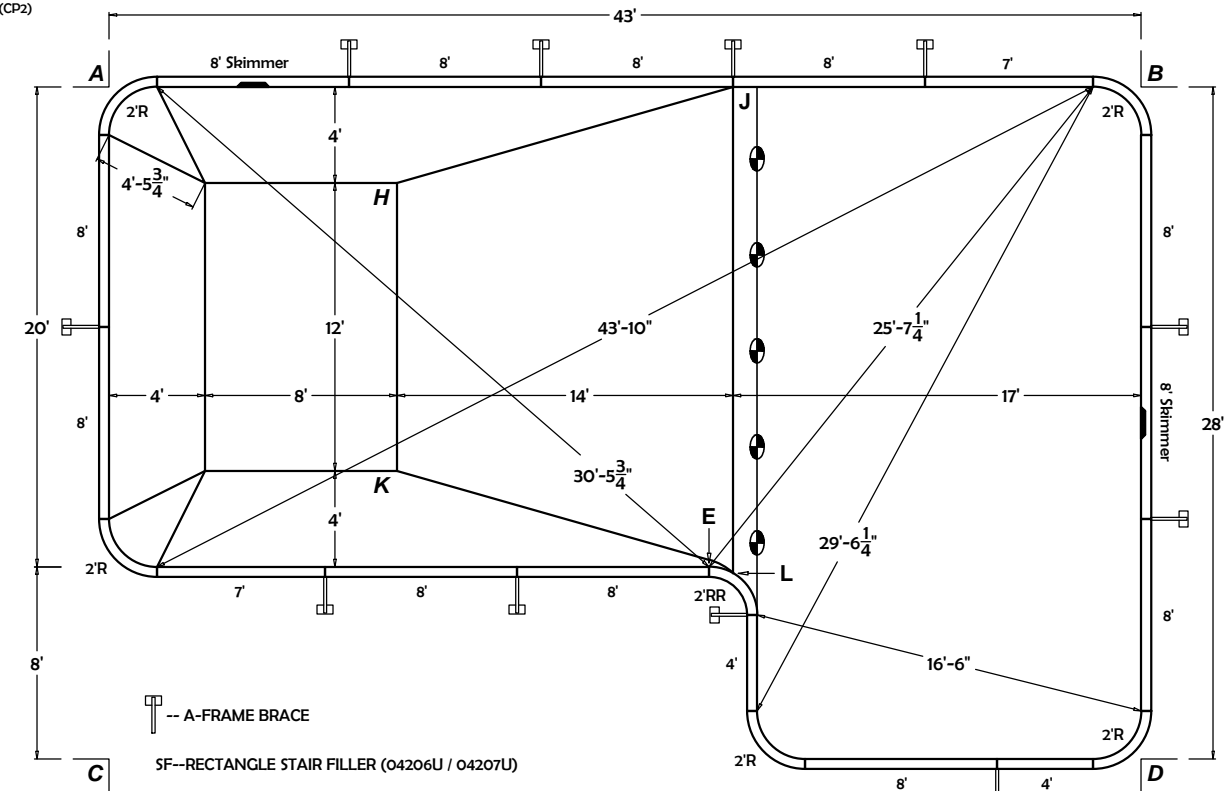
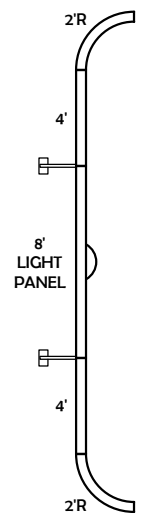
FROM A TO:	
D	51'-3 3/4"
E	32'-0 1/4"
H	
J	26'
K	20'
L	32'-11 1/2"

FROM B TO:	
C	51'-3 3/4"
E	26'-11"
H	31'-3"
J	17'
K	34'-10 3/4"
L	26'-5 1/2"

FROM C TO:	
B	51'-3 3/4"
E	26'-3"
H	26'-10"
J	38'-2 1/2"
K	16'-11 3/4"
L	27'-1 1/2"

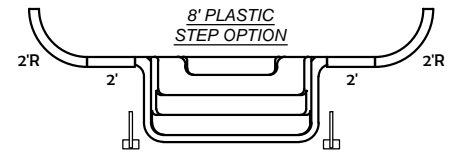
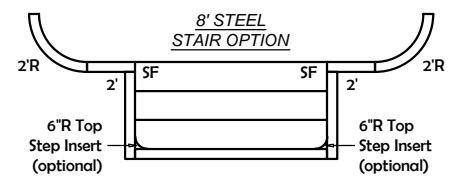
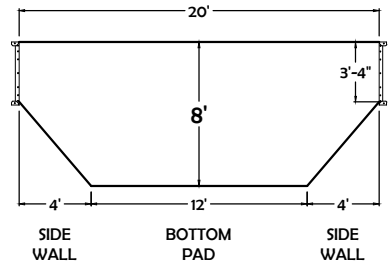
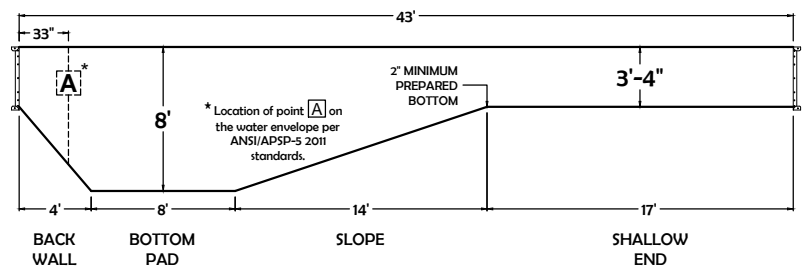
FROM D TO:	
A	51'-3 3/4"
E	19'-8 1/4"
H	39'-2 1/2"
J	32'-9"
K	33'-3"
L	18'-8"

CENTER LIGHT PANEL OPTION



-- A-FRAME BRACE

SF--RECTANGLE STAIR FILLER (04206U / 04207U)



* Nexus stair option is available using the identical panel layout

18' x 43' Left 2' Radius Lazy EL

Perimeter	116'-4"	page 1 of 1	No Stairs	8' Steel - End	8' Plastic - End
Surface Area	750.27 SF				
Volume	23650 gal				
Liner Sq. Ft.	888.0000 SF				
ITEM #	PART DESCRIPTION				
04101 / 05102	8' Plain Panel	4	4	3	
04102 / 05104	8' Skimmer Panel - 1085	2	2	2	
04103 / 05108	8' Return Panel	3	2	3	
04105 / 05110	7' Plain Panel	1	1	1	
04106 / 05112	6' Plain Panel	3	2	2	
04107	5' Plain Panel	1	1	1	
04113	3' Plain Panel		2	2	
04116	2' Radius Corner Panel	4	4	4	
04212	Roman End Filler	1	1	1	
04331	8" x 8" Outside EL Filler	1	1	1	
04206(U)	Left Rectangle Stair Filler	1			
04207(U)	Right Rectangle Stair Filler	1			
----	Adjustable A-Frame	11	10	12	
04188B	8' Steel Stair		1		
074185NR	8' Step-n-Rest			1	
PAK-75	Nut & Bolt Pak - 75 pcs	2	2	2	
PAK-100	Nut & Bolt Pak - 100 pcs	1	1	1	
04104 / 05109	8' Light Panel				

ALL DIMENSIONS ARE FINISH DIMENSIONS

** see page A19 (full steel) & A20 (Nexus) for Straight Steel Stair Filler specifications
 ** see page A46 Steel Corner Filler specifications
 ** Coping Layouts are shown on pages A66 (Progressive) & A93 (CP2)

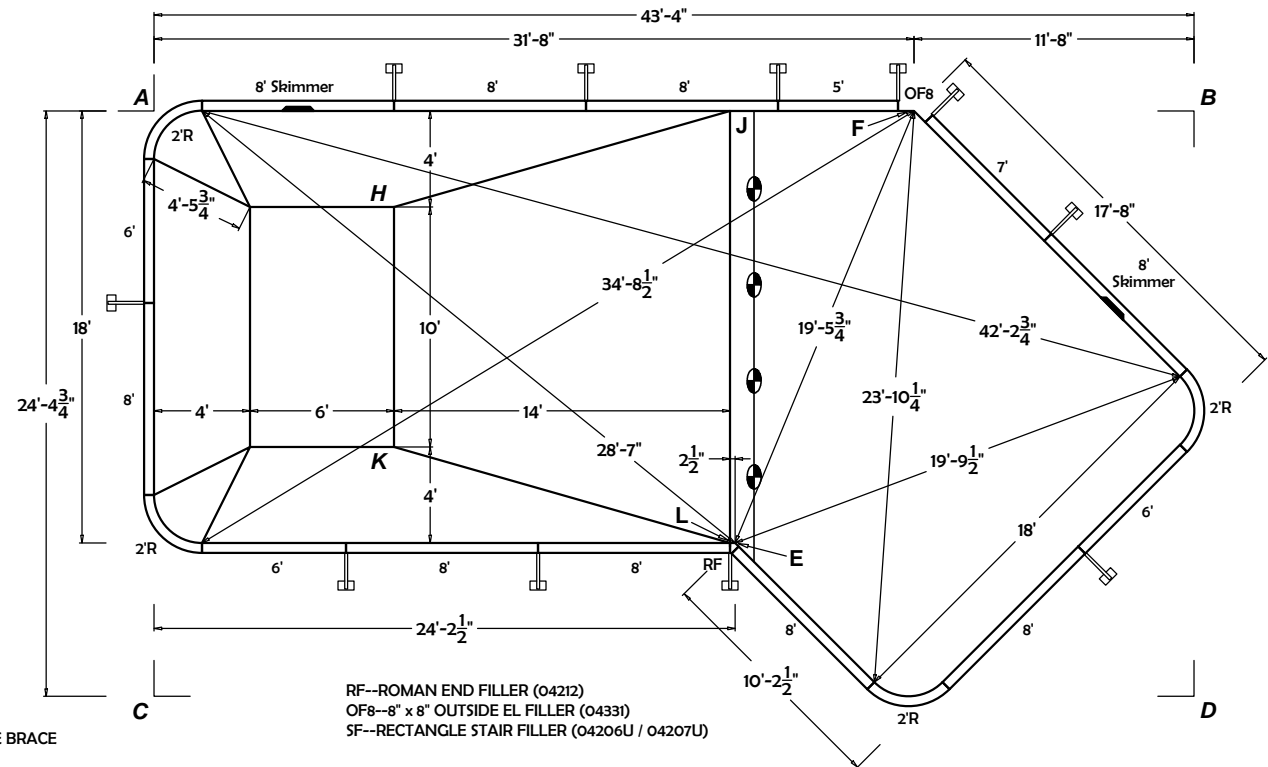
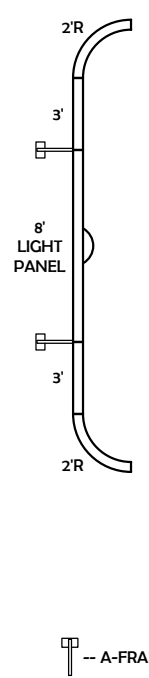
FROM A TO:	
D	49'-8 3/4"
E	30'-2"
F	31'-8"
H	10'-9 1/4"
J	24'
K	17'-2 1/2"
L	30'

FROM B TO:	
C	49'-8 3/4"
E	26'-3"
F	11'-8"
H	33'-6 3/4"
J	19'-4"
K	36'-1 3/4"
L	26'-5"

FROM C TO:	
B	49'-8 3/4"
E	25'-0 1/2"
F	39'-11 1/2"
H	22'-8 1/2"
J	34'-2 1/2"
K	14'-5"
L	24'-10"

FROM D TO:	
A	49'-8 3/4"
E	20'-2"
F	27'-0 1/2"
H	39'-0 3/4"
J	31'-1 1/2"
K	34'-11"
L	20'-4 1/4"

CENTER LIGHT PANEL OPTION

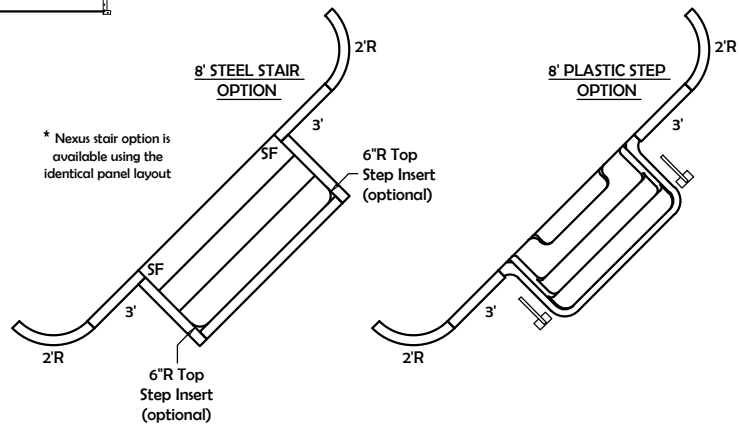
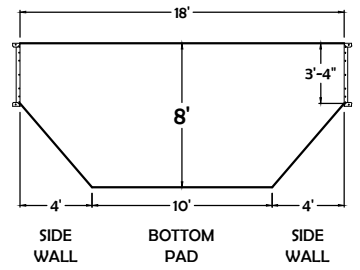
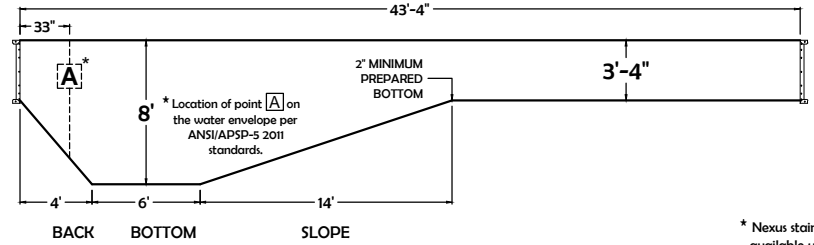


RF--ROMAN END FILLER (04212)
 OF8--8" x 8" OUTSIDE EL FILLER (04331)
 SF--RECTANGLE STAIR FILLER (04206U / 04207U)

DIVING PERMITTED ONLY FROM DESIGNATED DIVING AREA.
 The bottom configuration shown conforms with current ISPSA & ANSI / APSP / ICC suggested minimum standards for pools approved for use with manufactured diving equipment.

WARNING: Swimming pools can be dangerous if used improperly. Consult your dealer for information on safe use. It's the responsibility of town officials, builders and homeowners to follow safety recommendations of APSP/ANSI, local ordinances & equipment manufacturers.

- All work not specifically shown here is to be done in accordance with the requirements of the 2018 INTERNATIONAL SWIMMING POOL & SPA CODE, APSP/ANSI/ICC-5 2011 STANDARDS FOR RESIDENTIAL INGROUND SWIMMING POOLS, and all other local building codes.
- Construction Drawing: Different methods and precautions may be dictated by various ground conditions. This is to be determined by and is the responsibility of the contractor who is not an agent of the manufacturer of the component parts.
- Depth and shape of the pool meet minimum standards of the 2018 INTERNATIONAL SWIMMING POOL & SPA CODE and the APSP/ANSI/ICC-5 2011 STANDARDS FOR RESIDENTIAL INGROUND SWIMMING POOLS.
- A means of entry & exit for the deep end & shallow end of the pool must be provided in accordance with 2018 INTERNATIONAL SWIMMING POOL & SPA CODE, section 809.
- Equipotential bonding must be provided in accordance with the NATIONAL ELECTRIC CODE, NFPA 70.
- All A-frame braces are to be contained within an 8" thick continuous poured concrete (2500 psi) perimeter collar.
- Backfill with clean earth, free of roots and debris.
- Finished bottom is to be 2" minimum of suitable material or undisturbed earth.
- 3" wide, 3" thick concrete deck is to be poured at a slope of 1/4" to 1' away from the pool.
- NO DIVING labels are to be installed around the perimeter of the pool.
- A safety line, with buoys, is to be permanently attached 10' to the shallow side of the point of first slope change.
- Suction entrapment avoidance to be installed in accordance with APSP/ANSI/ICC-7



16' x 35'

Roman End with Steel Stair

Perimeter	97'-5"	page 1 of 1
Surface Area	561.87 SF	
Volume	17700 gal	
Liner Sq. Ft.	552.0000 SF	

ITEM #	PART DESCRIPTION	QTY	UNIT
04101 / 05102	8' Plain Panel	3	
04102 / 05104	8' Skimmer Panel - 1085	1	
04103 / 05108	8' Return Panel	2	
04110	4' Plain Panel	2	
04162	8' Radius Panel - 6'3"	2	
04164	8' Radius Panel - 2'3"		
04116	2' Radius Corner Panel	4	
04212	Roman End Filler	2	
04213	Roman End Filler Strap	4	
----	Adjustable A-Frame	8	
04022B	6'R x 12'W Steel Stair	1	
07418R5NR	8' Radius Step-n-Rest		
PAK-75	Nut & Bolt Pak - 75 pcs	1	
PAK-100	Nut & Bolt Pak - 100 pcs	1	
04134	8' Radius Light - 6'3"		
04133	8' Radius Panel - 3'1 1/2"		

ALL DIMENSIONS ARE FINISH DIMENSIONS

** see page A5 (full steel) & A6 (Nexus) for Radius Inside Steel Stair Filler specifications
 ** see page A44 Steel Corner Filler specifications
 ** Coping Layouts are shown on pages A67 (Progressive) & A94 (CP2)

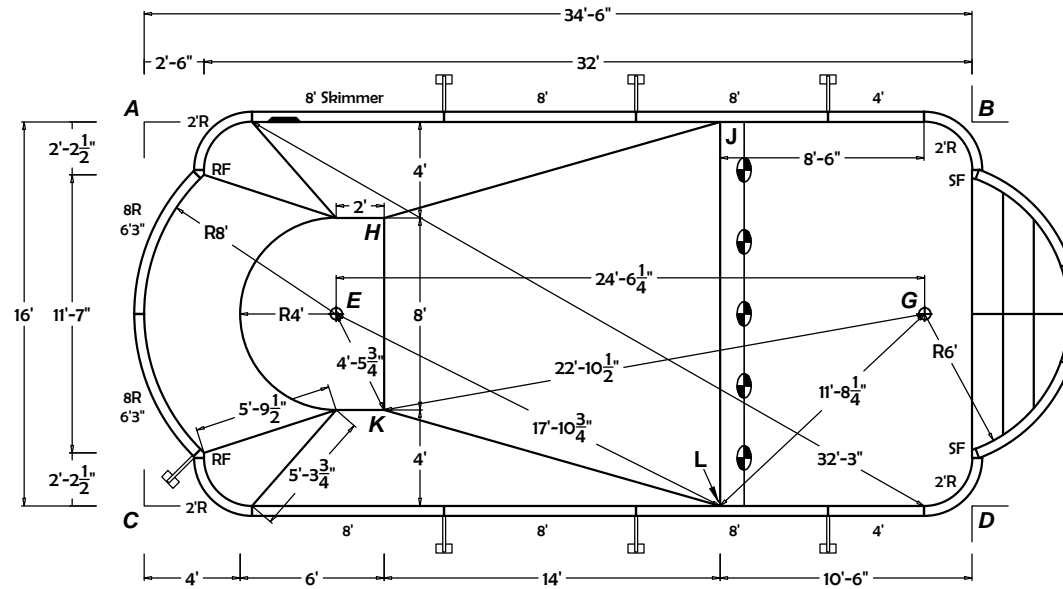
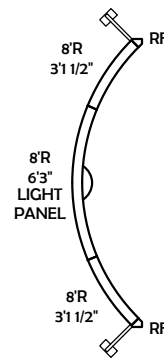
FROM	A TO:
D	38'-0 1/4"
E	11'-3 3/4"
G	33'-6"
H	10'-9 1/4"
J	24"
K	15'-7 1/2"
L	28'-10 1/4"

FROM	B TO:
C	38'-0 1/4"
E	27'-8 1/4"
G	8'-3"
H	24'-10"
J	10'-6"
K	27'-3 1/4"
L	19'-1 3/4"

FROM	C TO:
B	38'-0 1/4"
E	11'-3 3/4"
G	33'-6"
H	15'-7 1/2"
J	28'-10 1/4"
K	10'-9 1/4"
L	24"

FROM	D TO:
A	38'-0 1/4"
E	27'-8 1/4"
G	8'-3"
H	27'-3 1/4"
J	19'-1 3/4"
K	24'-10"
L	10'-6"

CENTER LIGHT PANEL OPTION

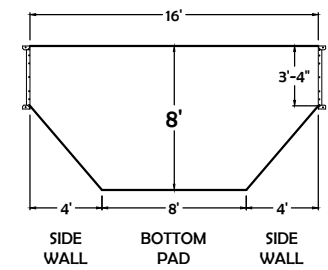
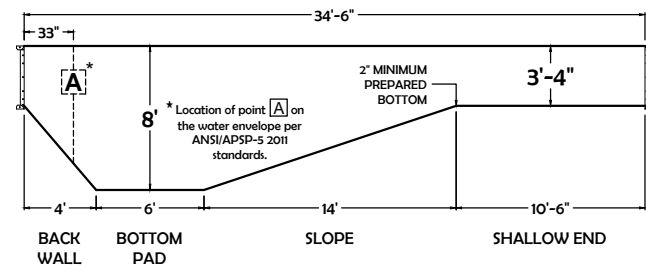


6'R x 12'W STEEL STAIR OPTION

* Nexus stair option is available using the identical panel layout



RF--ROMAN END FILLER (04212)
 SF--RECTANGLE STAIR FILLER for 6'R x 12'W STEEL STAIR (04313 / 04314)



DIVING PERMITTED ONLY FROM DESIGNATED DIVING AREA.
 The bottom configuration shown conforms with current ISPSC & ANSI / APSP / ICC suggested minimum standards for pools approved for use with manufactured diving equipment.

WARNING: Swimming pools can be dangerous if used improperly. Consult your dealer for information on safe use. It's the responsibility of town officials, builders and homeowners to follow safety recommendations of APSP/ANSI, local ordinances & equipment manufacturers.

- All work not specifically shown here is to be done in accordance with the requirements of the 2018 INTERNATIONAL SWIMMING POOL & SPA CODE, APSP/ANSI/ICC-5 2011 STANDARDS FOR RESIDENTIAL INGROUND SWIMMING POOLS, and all other local building codes.
- Construction Drawing: Different methods and precautions may be dictated by various ground conditions. This is to be determined by and is the responsibility of the contractor who is not an agent of the manufacturer of the component parts.
- Depth and shape of the pool meet minimum standards of the 2018 INTERNATIONAL SWIMMING POOL & SPA CODE and the APSP/ANSI/ICC-5 2011 STANDARDS FOR RESIDENTIAL INGROUND SWIMMING POOLS.
- A means of entry & exit for the deep end & shallow end of the pool must be provided in accordance with 2018 INTERNATIONAL SWIMMING POOL & SPA CODE, section 809.
- Equipotential bonding must be provided in accordance with the NATIONAL ELECTRIC CODE, NFPA 70.
- All A-frame braces are to be contained within an 8" thick continuous poured concrete (2500 psi) perimeter collar.
- Backfill with clean earth, free of roots and debris.
- Finished bottom is to be 2" minimum of suitable material or undisturbed earth.
- 3" wide, 3" thick concrete deck is to be poured at a slope of 1/8" to 1" away from the pool.
- NO DIVING labels are to be installed around the perimeter of the pool.
- A safety line, with buoys, is to be permanently attached 10' to the shallow side of the point of first slope change.
- Suction entrapment avoidance to be installed in accordance with APSP/ANSI/ICC-7

16' x 37'

Roman End with Plastic Step

Perimeter	95'-5"	page	
Surface Area	548.69 SF		
Volume	17850 gal	1 of 1	
Liner Sq. Ft.	592.0000 SF		

ITEM #	PART DESCRIPTION	No Stairs	8' Plastic Step
04101 / 05102	8' Plain Panel	3	3
04102 / 05104	8' Skimmer Panel - 1085	1	1
04103 / 05108	8' Return Panel	2	2
04110	4' Plain Panel	2	2
04162	8' Radius Panel - 6'3"	4	2
04164	8' Radius Panel - 2'3"		2
04116	2' Radius Corner Panel	4	4
04212	Roman End Filler	4	4
04213	Roman End Filler Strap	8	8
----	Adjustable A-Frame	10	12
04022B	6'R x 12'W Steel Stair		
07418R5NR	8' Radius Step-n-Rest		1
PAK-75	Nut & Bolt Pak - 75 pcs		
PAK-100	Nut & Bolt Pak - 100 pcs	2	2
04134	8' Radius Light - 6'3"		
04133	8' Radius Panel - 3'1 1/2"		

ALL DIMENSIONS ARE FINISH DIMENSIONS

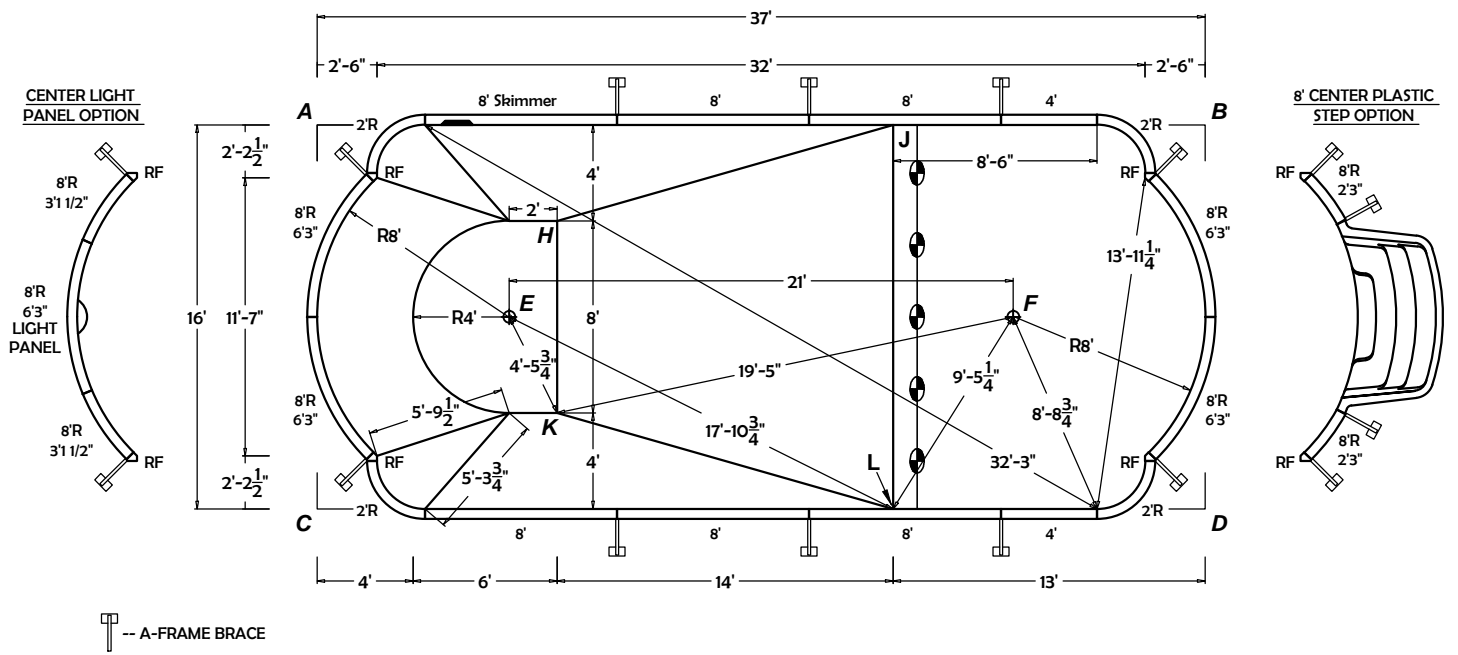
** see page A44 Steel Corner Filler specifications
 ** Coping Layouts are shown on pages A67 (Progressive) & A94 (CP2)

FROM A TO:	
D	40'-3 3/4"
E	11'-4"
F	30'-1"
H	10'-9 1/4"
J	24'
K	15'-7 1/2"
L	28'-10 1/4"

FROM B TO:	
C	40'-3 3/4"
E	30'-1"
F	11'-3 3/4"
H	27'-3 1/2"
J	13'
K	29'-6 1/2"
L	20'-7 1/2"

FROM C TO:	
B	40'-3 3/4"
E	11'-3 3/4"
F	30'-1"
H	15'-7 1/2"
J	28'-10 1/4"
K	10'-9 1/4"
L	24'

FROM D TO:	
A	40'-3 3/4"
E	30'-1"
F	11'-3 3/4"
H	29'-6 1/2"
J	20'-7 1/2"
K	27'-3 1/2"
L	13'



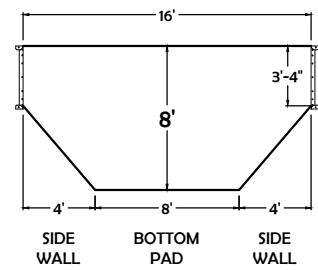
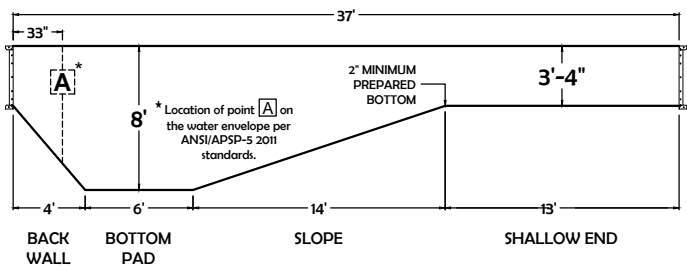
-- A-FRAME BRACE

RF--ROMAN END FILLER (04212)

DIVING PERMITTED ONLY FROM DESIGNATED DIVING AREA.
 The bottom configuration shown conforms with current ISPSC & ANSI / APSP / ICC suggested minimum standards for pools approved for use with manufactured diving equipment.

WARNING: Swimming pools can be dangerous if used improperly. Consult your dealer for information on safe use. It's the responsibility of town officials, builders and homeowners to follow safety recommendations of APSP/ANSI, local ordinances & equipment manufacturers.

- All work not specifically shown here is to be done in accordance with the requirements of the 2018 INTERNATIONAL SWIMMING POOL & SPA CODE, APSP/ANSI/ICC-5 2011 STANDARDS FOR RESIDENTIAL INGROUND SWIMMING POOLS, and all other local building codes.
- Construction Drawing: Different methods and precautions may be dictated by various ground conditions. This is to be determined by and is the responsibility of the contractor who is not an agent of the manufacturer of the component parts.
- Depth and shape of the pool meet minimum standards of the 2018 INTERNATIONAL SWIMMING POOL & SPA CODE and the APSP/ANSI/ICC-5 2011 STANDARDS FOR RESIDENTIAL INGROUND SWIMMING POOLS.
- A means of entry & exit for the deep end & shallow end of the pool must be provided in accordance with 2018 INTERNATIONAL SWIMMING POOL & SPA CODE, section 809.
- Equipotential bonding must be provided in accordance with the NATIONAL ELECTRIC CODE, NFPA 70.
- All A-frame braces are to be contained within an 8" thick continuous poured concrete (2500 psi) perimeter collar.
- Backfill with clean earth, free of roots and debris.
- Finished bottom is to be 2" minimum of suitable material or undisturbed earth.
- 3" wide, 3" thick concrete deck is to be poured at a slope of 1/4" to 1' away from the pool.
- NO DIVING labels are to be installed around the perimeter of the pool.
- A safety line, with buoys, is to be permanently attached 10' to the shallow side of the point of first slope change.
- Suction entrapment avoidance to be installed in accordance with APSP/ANSI/ICC-7



18' x 39'

Roman End with Steel Stair

Perimeter	109'-5"	page	
Surface Area	697.87 SF	1 of 1	
Volume	22000 gal		
Liner Sq. Ft.	693.0000 SF		

ITEM #	PART DESCRIPTION	QTY	UNIT
04101 / 05102	8' Plain Panel	5	
04102 / 05104	8' Skimmer Panel - 1085	1	
04103 / 05108	8' Return Panel	2	
04119	1' Plain Panel	4	
04162	8' Radius Panel - 6'3"	2	
04164	8' Radius Panel - 2'3"		
04116	2' Radius Corner Panel	4	
04212	Roman End Filler	2	
04213	Roman End Filler Strap	4	
----	Adjustable A-Frame	8	
04022B	6'R x 12'W Steel Stair	1	
07418RSNR	8' Radius Step-n-Rest		
PAK-75	Nut & Bolt Pak - 75 pcs	2	
PAK-100	Nut & Bolt Pak - 100 pcs	1	
04134	8' Radius Light - 6'3"		
04133	8' Radius Panel - 3'1 1/2"		

ALL DIMENSIONS ARE FINISH DIMENSIONS

** see page A5 (full steel) & A6 (Nexus) for Radius Inside Steel Stair Filler specifications
 ** see page A44 Steel Corner Filler specifications
 ** Coping Layouts are shown on pages A67 (Progressive) & A94 (CP2)

FROM A TO:

D	42'-6"
E	12'-0 1/2"
G	37'-7 1/4"
H	13'
J	26'
K	17'-8 1/4"
L	31'-7 1/2"

FROM B TO:

C	42'-6"
E	31'-9 3/4"
G	9'-2 1/2"
H	26'-11 1/2"
J	12'-6"
K	29'-6 1/4"
L	21'-11"

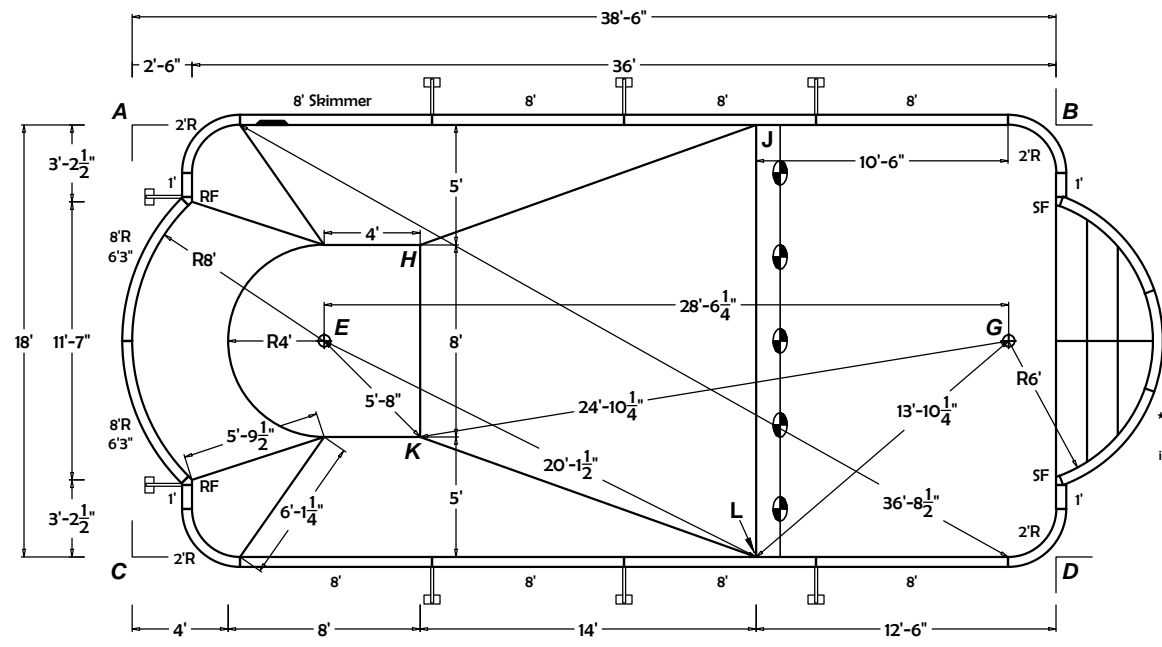
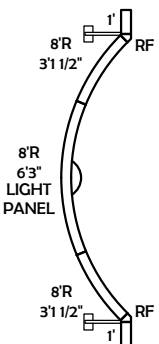
FROM C TO:

B	42'-6"
E	12'-0 1/2"
G	37'-7 1/4"
H	17'-8 1/4"
J	31'-7 1/2"
K	13'
L	26'

FROM D TO:

A	42'-6"
E	31'-9 1/2"
G	9'-2 1/2"
H	29'-6 1/4"
J	21'-11"
K	26'-11 1/2"
L	12'-6"

CENTER LIGHT PANEL OPTION

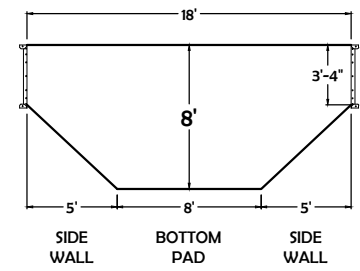
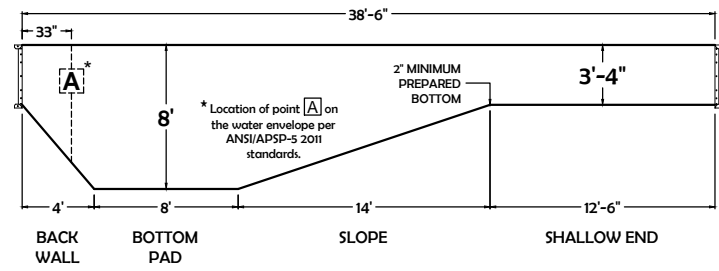


6'R x 12'W STEEL STAIR OPTION

* Nexus stair option is available using the identical panel layout



RF--ROMAN END FILLER (04212)
 SF--RECTANGLE STAIR FILLER for 6'R x 12'W STEEL STAIR (04313 / 04314)



DIVING PERMITTED ONLY FROM DESIGNATED DIVING AREA.
 The bottom configuration shown conforms with current ISPS & ANSI / APSP / ICC suggested minimum standards for pools approved for use with manufactured diving equipment.

WARNING: Swimming pools can be dangerous if used improperly. Consult your dealer for information on safe use. It's the responsibility of town officials, builders and homeowners to follow safety recommendations of APSP/ANSI, local ordinances & equipment manufacturers.

- All work not specifically shown here is to be done in accordance with the requirements of the 2018 INTERNATIONAL SWIMMING POOL & SPA CODE, APSP/ANSI/ICC-5 2011 STANDARDS FOR RESIDENTIAL INGROUND SWIMMING POOLS, and all other local building codes.
- Construction Drawing: Different methods and precautions may be dictated by various ground conditions. This is to be determined by and is the responsibility of the contractor who is not an agent of the manufacturer of the component parts.
- Depth and shape of the pool meet minimum standards of the 2018 INTERNATIONAL SWIMMING POOL & SPA CODE and the APSP/ANSI/ICC-5 2011 STANDARDS FOR RESIDENTIAL INGROUND SWIMMING POOLS.
- A means of entry & exit for the deep end & shallow end of the pool must be provided in accordance with 2018 INTERNATIONAL SWIMMING POOL & SPA CODE, section 809.
- Equipotential bonding must be provided in accordance with the NATIONAL ELECTRIC CODE, NFPA 70.
- All A-frame braces are to be contained within an 8" thick continuous poured concrete (2500 psi) perimeter collar.
- Backfill with clean earth, free of roots and debris.
- Finished bottom is to be 2" minimum of suitable material or undisturbed earth.
- 3" wide, 3" thick concrete deck is to be poured at a slope of 1/4" to 1' away from the pool.
- NO DIVING labels are to be installed around the perimeter of the pool.
- A safety line, with buoys, is to be permanently attached 10' to the shallow side of the point of first slope change.
- Suction entrapment avoidance to be installed in accordance with APSP/ANSI/ICC-7

18' x 41'

Roman End with Plastic Step

Perimeter	107'-5"	page	
Surface Area	684.69 SF	1 of 1	
Volume	22150 gal		
Liner Sq. Ft.	738.0000 SF		

ITEM #	PART DESCRIPTION	No. Stairs	8' Plastic Step
04101 / 05102	8' Plain Panel	5	5
04102 / 05104	8' Skimmer Panel - 1085	1	1
04103 / 05108	8' Return Panel	2	2
04119	1' Plain Panel	4	4
04162	8' Radius Panel - 6'3"	4	2
04164	8' Radius Panel - 2'3"		2
04116	2' Radius Corner Panel	4	4
04212	Roman End Filler	4	4
04213	Roman End Filler Strap	8	8
----	Adjustable A-Frame	10	12
04022B	6'R x 12'W Steel Stair		
07418R5NR	8' Radius Step-n-Rest		1
PAK-75	Nut & Bolt Pak - 75 pcs		
PAK-100	Nut & Bolt Pak - 100 pcs	2	2
04134	8' Radius Light - 6'3"		
04133	8' Radius Panel - 3'1 1/2"		

ALL DIMENSIONS ARE FINISH DIMENSIONS

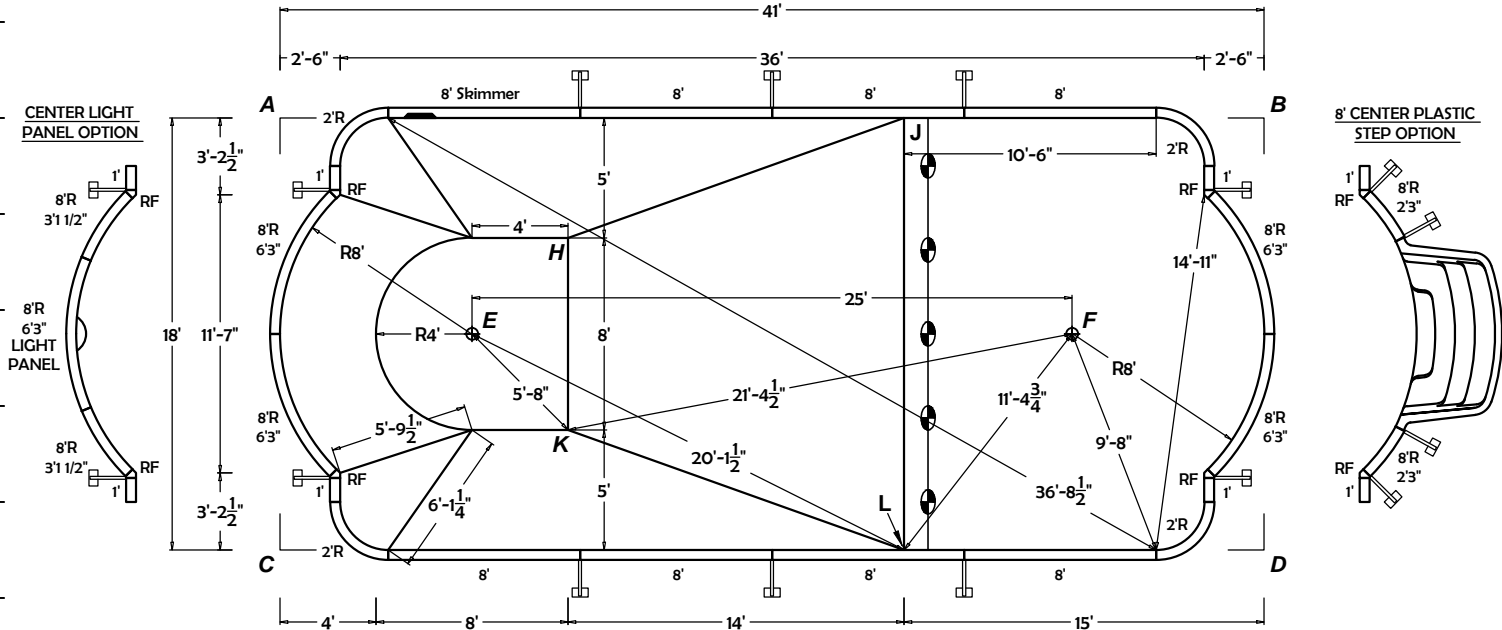
** see page A44 Steel Corner Filler specifications
 ** Coping Layouts are shown on pages A67 (Progressive) & A94 (CP2)

FROM	TO:
D	44'-9 1/4"
E	12'-0 1/2"
F	34'-2 1/2"
H	13'
J	26'
K	17'-8 1/4"
L	31'-7 1/2"

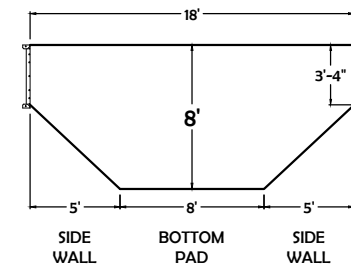
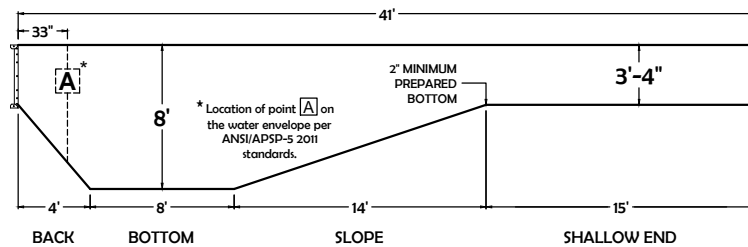
FROM	TO:
C	44'-9 1/4"
E	34'-2 1/2"
F	12'-0 1/2"
H	29'-5 1/4"
J	15'
K	31'-9 1/4"
L	23'-5 1/4"

FROM	TO:
B	44'-9 1/4"
E	12'-0 1/2"
F	34'-2 1/2"
H	17'-8 1/4"
J	31'-7 1/2"
K	13'
L	26'

FROM	TO:
A	44'-9 1/4"
E	34'-2 1/2"
F	12'-0 1/2"
H	31'-9 1/4"
J	23'-5 1/4"
K	29'-5 1/4"
L	15'



RF--ROMAN END FILLER (04212)



DIVING PERMITTED ONLY FROM DESIGNATED DIVING AREA.
 The bottom configuration shown conforms with current ISPSC & ANSI / APSP / ICC suggested minimum standards for pools approved for use with manufactured diving equipment.

WARNING: Swimming pools can be dangerous if used improperly. Consult your dealer for information on safe use. It's the responsibility of town officials, builders and homeowners to follow safety recommendations of APSP/ANSI, local ordinances & equipment manufacturers.

- All work not specifically shown here is to be done in accordance with the requirements of the 2018 INTERNATIONAL SWIMMING POOL & SPA CODE, APSP/ANSI/ICC-5 2011 STANDARDS FOR RESIDENTIAL INGROUND SWIMMING POOLS, and all other local building codes.
- Construction Drawing: Different methods and precautions may be dictated by various ground conditions. This is to be determined by and is the responsibility of the contractor who is not an agent of the manufacturer of the component parts.
- Depth and shape of the pool meet minimum standards of the 2018 INTERNATIONAL SWIMMING POOL & SPA CODE and the APSP/ANSI/ICC-5 2011 STANDARDS FOR RESIDENTIAL INGROUND SWIMMING POOLS.
- A means of entry & exit for the deep end & shallow end of the pool must be provided in accordance with 2018 INTERNATIONAL SWIMMING POOL & SPA CODE, section 809.
- Equipotential bonding must be provided in accordance with the NATIONAL ELECTRIC CODE, NFPA 70.
- All A-frame braces are to be contained within an 8" thick continuous poured concrete (2500 psi) perimeter collar.
- Backfill with clean earth, free of roots and debris.
- Finished bottom is to be 2" minimum of suitable material or undisturbed earth.
- 3' wide, 3" thick concrete deck is to be poured at a slope of 1/4" to 1' away from the pool.
- NO DIVING labels are to be installed around the perimeter of the pool.
- A safety line, with buoys, is to be permanently attached 10' to the shallow side of the point of first slope change.
- Suction entrapment avoidance to be installed in accordance with APSP/ANSI/ICC-7

20' x 41'

Roman End with Steel Stair

Perimeter	117'-5"	page	
Surface Area	809.87 SF	1 of 1	
Volume	25950 gal		
Liner Sq. Ft.	810.0000 SF		

6'R x 12'W Stair	
------------------	--

ITEM #	PART DESCRIPTION	QTY
04101 / 05102	8' Plain Panel	3
04102 / 05104	8' Skimmer Panel - 1085	2
04103 / 05108	8' Return Panel	3
04114	2' Plain Panel	6
04162	8' Radius Panel - 6"3"	2
04164	8' Radius Panel - 2"3"	
04116	2' Radius Corner Panel	4
04212	Roman End Filler	2
04213	Roman End Filler Strap	4
----	Adjustable A-Frame	10
04022B	6'R x 12'W Steel Stair	1
07418R5NR	8' Radius Step-n-Rest	
PAK-75	Nut & Bolt Pak - 75 pcs	2
PAK-100	Nut & Bolt Pak - 100 pcs	1
04134	8' Radius Light - 6"3"	
04133	8' Radius Panel - 3'1/2"	

ALL DIMENSIONS ARE FINISH DIMENSIONS

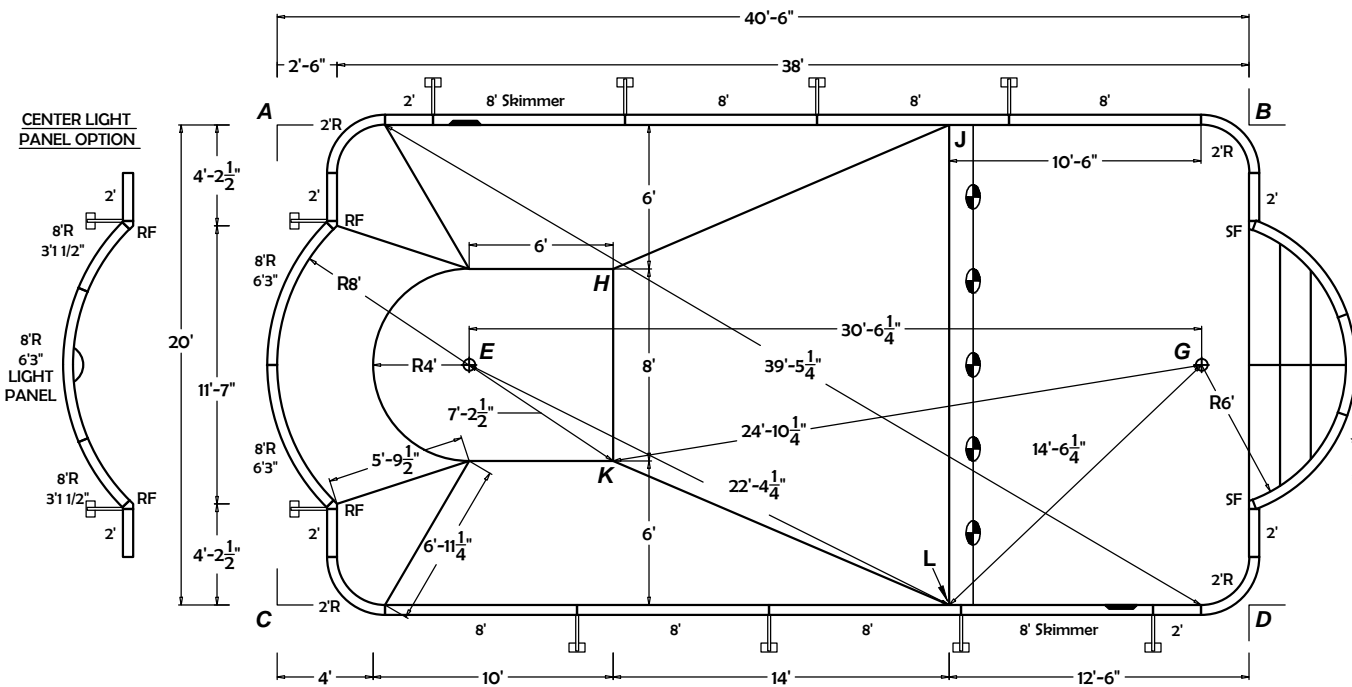
** see page A5 (full steel) & A6 (Nexus) for Radius Inside Steel Stair Filler specifications
 ** see page A44 Steel Corner Filler specifications
 ** Coping Layouts are shown on pages A67 (Progressive) & A94 (CP2)

FROM A TO:	
D	45'-2"
E	12'-9 3/4"
G	39'-9 1/2"
H	15'-2 3/4"
J	28'
K	19'-9 1/2"
L	34'-5"

FROM B TO:	
C	45'-2"
E	34'
G	10'-2 1/4"
H	27'-2"
J	12'-6"
K	29'-11 3/4"
L	23'-7"

FROM C TO:	
B	45'-2"
E	12'-9 3/4"
G	39'-9 1/2"
H	19'-9 1/2"
J	34'-5"
K	15'-2 3/4"
L	28'

FROM D TO:	
A	45'-2"
E	34'
G	10'-2 1/4"
H	29'-11 3/4"
J	23'-7"
K	27'-2"
L	12'-6"

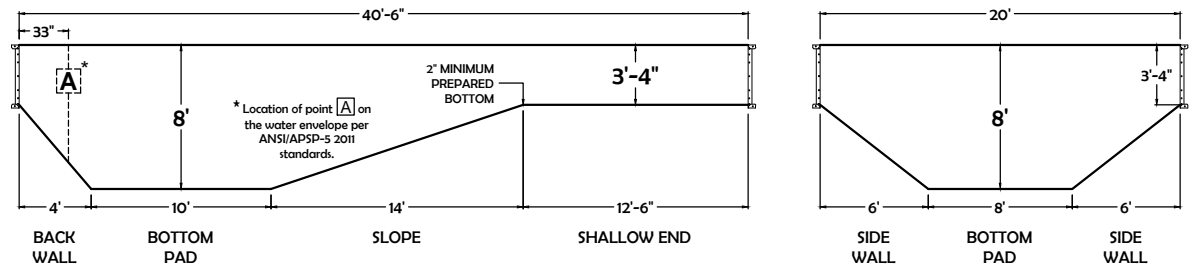


6'R x 12'W STEEL STAIR OPTION

* Nexus stair option is available using the identical panel layout



RF--ROMAN END FILLER (04212)
 SF--RECTANGLE STAIR FILLER for 6'R x 12'W STEEL STAIR (04313 / 04314)



DIVING PERMITTED ONLY FROM DESIGNATED DIVING AREA.
 The bottom configuration shown conforms with current ISPSC & ANSI / APSP / ICC suggested minimum standards for pools approved for use with manufactured diving equipment.

WARNING: Swimming pools can be dangerous if used improperly. Consult your dealer for information on safe use. It's the responsibility of town officials, builders and homeowners to follow safety recommendations of APSP/ANSI, local ordinances & equipment manufacturers.

- All work not specifically shown here is to be done in accordance with the requirements of the 2018 INTERNATIONAL SWIMMING POOL & SPA CODE, APSP/ANSI/ICC-5 2011 STANDARDS FOR RESIDENTIAL INGROUND SWIMMING POOLS, and all other local building codes.
- Construction Drawing: Different methods and precautions may be dictated by various ground conditions. This is to be determined by and is the responsibility of the contractor who is not an agent of the manufacturer of the component parts.
- Depth and shape of the pool meet minimum standards of the 2018 INTERNATIONAL SWIMMING POOL & SPA CODE and the APSP/ANSI/ICC-5 2011 STANDARDS FOR RESIDENTIAL INGROUND SWIMMING POOLS.
- A means of entry & exit for the deep end & shallow end of the pool must be provided in accordance with 2018 INTERNATIONAL SWIMMING POOL & SPA CODE, section 809.
- Equipotential bonding must be provided in accordance with the NATIONAL ELECTRIC CODE, NFPA 70.
- All A-frame braces are to be contained within an 8" thick continuous poured concrete (2500 psi) perimeter collar.
- Backfill with clean earth, free of roots and debris.
- Finished bottom is to be 2" minimum of suitable material or undisturbed earth.
- 3" wide, 3" thick concrete deck is to be poured at a slope of 1/4" to 1' away from the pool.
- NO DIVING labels are to be installed around the perimeter of the pool.
- A safety line, with buoys, is to be permanently attached 10' to the shallow side of the point of first slope change.
- Suction entrapment avoidance to be installed in accordance with APSP/ANSI/ICC-7

20' x 43'

Roman End with Plastic Step

Perimeter	115'-5"	page	
Surface Area	796.69 SF	1 of 1	
Volume	26100 gal		
Liner Sq. Ft.	860.0000 SF		

ITEM #	PART DESCRIPTION	No Stairs	8' Plastic Step
04101 / 05102	8' Plain Panel	3	3
04102 / 05104	8' Skimmer Panel - 1085	2	2
04103 / 05108	8' Return Panel	3	3
04114	2' Plain Panel	6	6
04162	8' Radius Panel - 6'3"	4	2
04164	8' Radius Panel - 2'3"		2
04116	2' Radius Corner Panel	4	4
04212	Roman End Filler	4	4
04213	Roman End Filler Strap	8	8
----	Adjustable A-Frame	12	14
04022B	6'R x 12'W Steel Stair		
07418RSNR	8' Radius Step-n-Rest		1
PAK-75	Nut & Bolt Pak - 75 pcs	2	2
PAK-100	Nut & Bolt Pak - 100 pcs	1	1
04134	8' Radius Light - 6'3"		
04133	8' Radius Panel - 3'1/2"		

ALL DIMENSIONS ARE FINISH DIMENSIONS

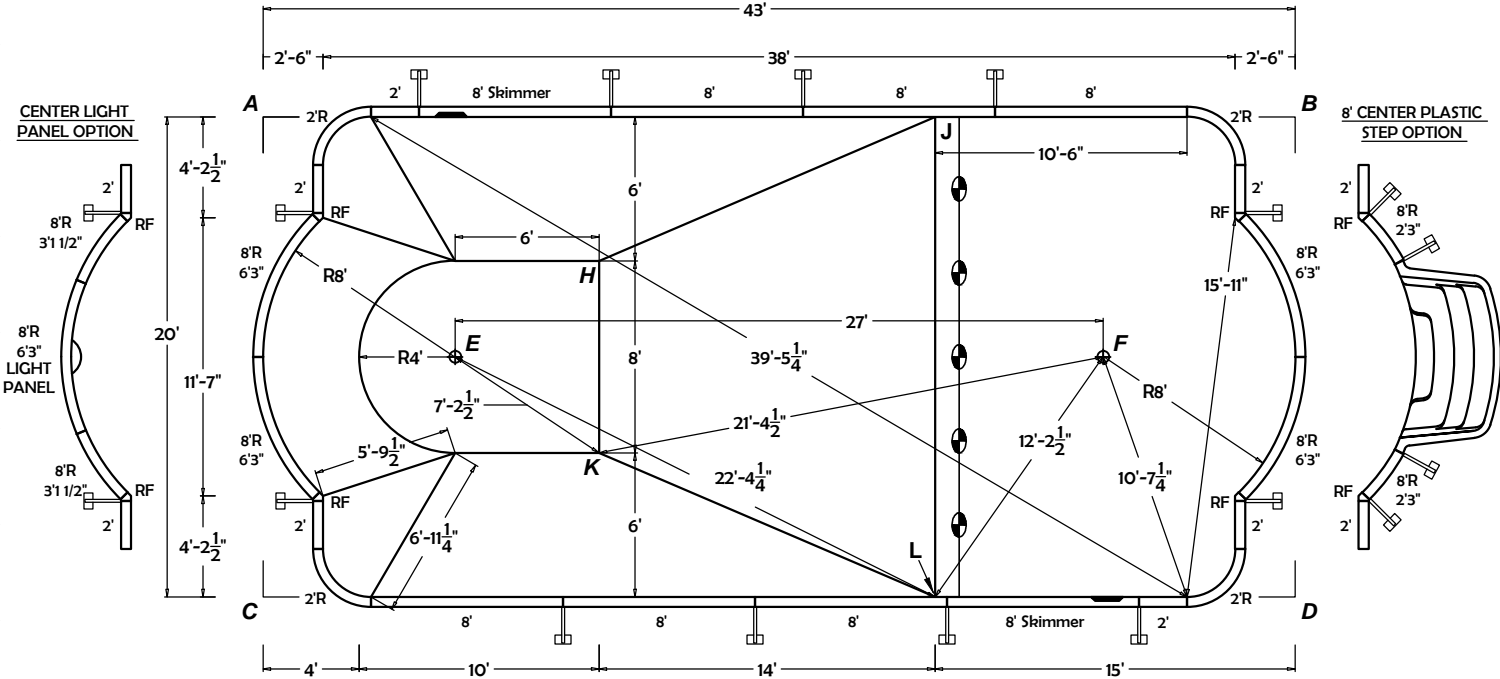
** see page A44 Steel Corner Filler specifications
 ** Coping Layouts are shown on pages A67 (Progressive) & A94 (CP2)

FROM A TO:	
D	47'-5"
E	12'-9 3/4"
F	36'-4 3/4"
H	15'-2 3/4"
J	28'
K	19'-9 1/2"
L	34'-5"

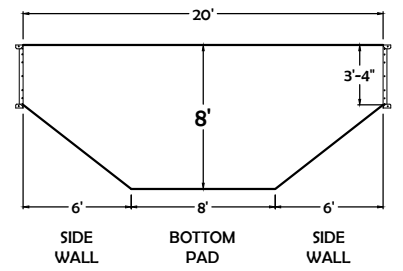
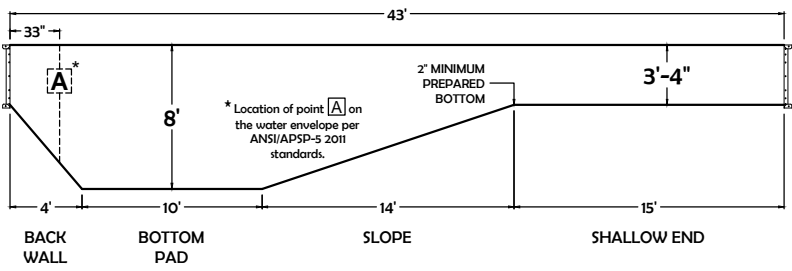
FROM B TO:	
C	47'-5"
E	36'-4 3/4"
F	12'-9 3/4"
H	29'-7 1/4"
J	15'
K	32'-2 1/2"
L	25'

FROM C TO:	
B	47'-5"
E	12'-9 3/4"
F	36'-4 3/4"
H	19'-9 1/2"
J	34'-5"
K	15'-2 3/4"
L	28'

FROM D TO:	
A	47'-5"
E	36'-4 3/4"
F	12'-9 3/4"
H	32'-2 1/2"
J	25'
K	29'-7 1/4"
L	15'



-- A-FRAME BRACE
 -- ROMAN END FILLER (04212)



DIVING PERMITTED ONLY FROM DESIGNATED DIVING AREA.
 The bottom configuration shown conforms with current ISPSC & ANSI / APSP / ICC suggested minimum standards for pools approved for use with manufactured diving equipment.

WARNING: Swimming pools can be dangerous if used improperly. Consult your dealer for information on safe use. It's the responsibility of town officials, builders and homeowners to follow safety recommendations of APSP/ANSI, local ordinances & equipment manufacturers.

- All work not specifically shown here is to be done in accordance with the requirements of the 2018 INTERNATIONAL SWIMMING POOL & SPA CODE, APSP/ANSI/ICC-5 2011 STANDARDS FOR RESIDENTIAL INGROUND SWIMMING POOLS, and all other local building codes.
- Construction Drawing: Different methods and precautions may be dictated by various ground conditions. This is to be determined by and is the responsibility of the contractor who is not an agent of the manufacturer of the component parts.
- Depth and shape of the pool meet minimum standards of the 2018 INTERNATIONAL SWIMMING POOL & SPA CODE and the APSP/ANSI/ICC-5 2011 STANDARDS FOR RESIDENTIAL INGROUND SWIMMING POOLS.
- A means of entry & exit for the deep end & shallow end of the pool must be provided in accordance with 2018 INTERNATIONAL SWIMMING POOL & SPA CODE, section 809.
- Equipotential bonding must be provided in accordance with the NATIONAL ELECTRIC CODE, NFPA 70.
- All A-frame braces are to be contained within an 8" thick continuous poured concrete (2500 psi) perimeter collar.
- Backfill with clean earth, free of roots and debris.
- Finished bottom is to be 2" minimum of suitable material or undisturbed earth.
- 3" wide, 3" thick concrete deck is to be poured at a slope of 1/4" to 1' away from the pool.
- NO DIVING labels are to be installed around the perimeter of the pool.
- A safety line, with buoys, is to be permanently attached 10' to the shallow side of the point of first slope change.
- Suction entrapment avoidance to be installed in accordance with APSP/ANSI/ICC-7

18' x 44' Left

Roman End Lazy EL with Steel Stair

Perimeter	117'-5"	page	
Surface Area	809.87 SF	1 of 2	
Volume	25950 gal		
Liner Sq. Ft.	810.0000 SF		

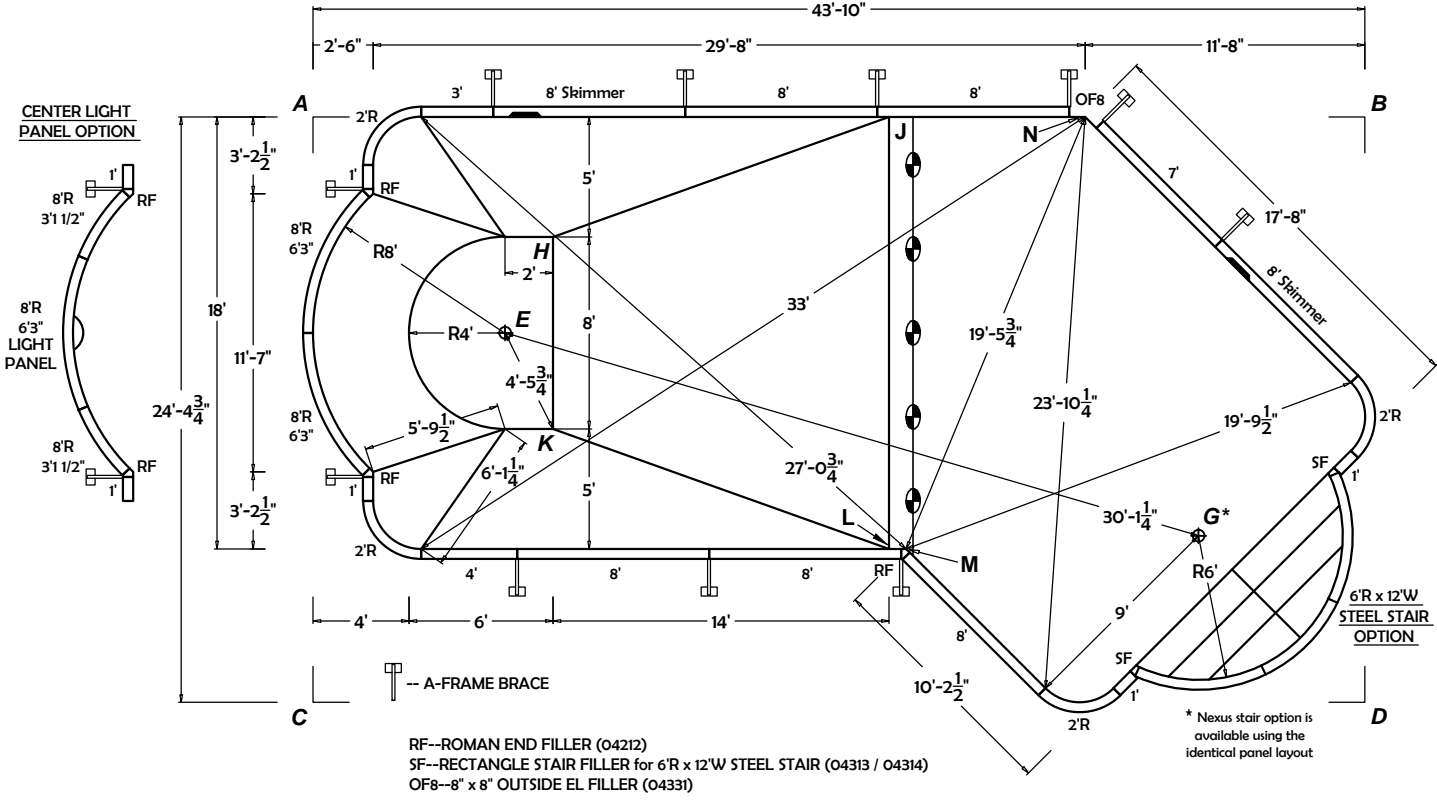
ITEM #	PART DESCRIPTION	QTY	6'R x 12'W Stair
04101 / 05102	8' Plain Panel	2	
04102 / 05104	8' Skimmer Panel - 1085	2	
04103 / 05108	8' Return Panel	3	
04105 / 05110	7' Plain Panel	1	
04110	4' Plain Panel	1	
04113	3' Plain Panel	1	
04119	1' Plain Panel	4	
04162	8' Radius Panel - 6'3"	2	
04164	8' Radius Panel - 2'3"		
04116	2' Radius Corner Panel	4	
04212	Roman End Filler	3	
04213	Roman End Filler Strap	6	
04331	8" x 8" Outside EL Filler	1	
----	Adjustable A-Frame	11	
04022B	6'R x 12'W Steel Stair	1	
07418RSNR	8' Radius Step-n-Rest		
PAK-75	Nut & Bolt Pak - 75 pcs		
PAK-100	Nut & Bolt Pak - 100 pcs	3	
04134	8' Radius Light - 6'3"		
04133	8' Radius Panel - 3'1 1/2"		

ALL DIMENSIONS ARE FINISH DIMENSIONS

** see page A5 (full steel) & A6 (Nexus) for Radius Inside Steel Stair Filler specifications
 ** see page A44 Steel Corner Filler specifications
 ** Coping Layouts are shown on pages: A68 (Progressive) & A95 (CP2)

FROM A TO:	FROM B TO:	FROM C TO:	FROM D TO:	FROM E TO:	FROM G* TO:
D 50'-1 3/4"	C 50'-1 3/4"	B 50'-1 3/4"	A 50'-1 3/4"	G* 30'-1 1/4"	E 30'-1 1/4"
E 12'-0 1/2"	E 36'-11 1/4"	E 17'-4 1/4"	E 39"	H 4'-5 3/4"	H 29'-7 3/4"
H 40'-9 3/4"	G* 18'-9 1/2"	G* 37'-6 1/2"	G* 9'-9 3/4"	J 18'-4 1/4"	J 21'-8 1/2"
H 11'-2 1/4"	H 34'-2 1/4"	H 21'-9 3/4"	H 38'-11 3/4"	K 4'-5 3/4"	K 27'-3"
J 24"	J 19'-10"	J 34'-2 1/2"	J 31'-5 1/4"	L 18'-4 1/4"	L 12'-10 3/4"
K 16'-4 3/4"	K 36'-2 3/4"	K 15'-2"	K 35'-8 1/4"	M 18'-11 3/4"	M 12'-2 1/4"
L 30"	L 26'-9 1/4"	L 24'-10"	L 20'-10"	N 25'-9 1/2"	N 18'-1"
M 30'-6 3/4"	M 26'-3"	M 25'-6 1/4"	M 20'-2"		
N 32'-2"	N 11'-8"	N 40'-4 1/2"	N 27'-0 1/2"		

NOTE: point G* is the center point pin for the 6'R x 12'W Steel Stair. This point is NOT required for pools with no stair or plastic step options.



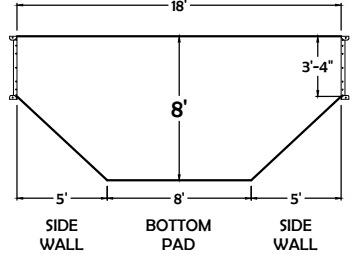
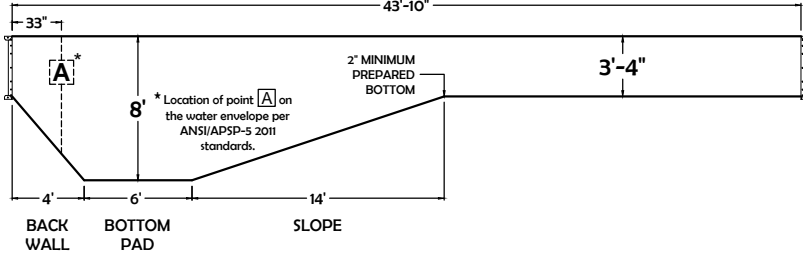
RF--ROMAN END FILLER (04212)
 SF--RECTANGLE STAIR FILLER for 6'R x 12'W STEEL STAIR (04313 / 04314)
 OF8--8" x 8" OUTSIDE EL FILLER (04331)

* Nexus stair option is available using the identical panel layout

DIVING PERMITTED ONLY FROM DESIGNATED DIVING AREA.
 The bottom configuration shown conforms with current ISPSC & ANSI / APSP / ICC suggested minimum standards for pools approved for use with manufactured diving equipment.

WARNING: Swimming pools can be dangerous if used improperly. Consult your dealer for information on safe use. It's the responsibility of town officials, builders and homeowners to follow safety recommendations of APSP/ANSI, local ordinances & equipment manufacturers.

- All work not specifically shown here is to be done in accordance with the requirements of the 2018 INTERNATIONAL SWIMMING POOL & SPA CODE, APSP/ANSI/ICC-5 2011 STANDARDS FOR RESIDENTIAL INGROUND SWIMMING POOLS, and all other local building codes.
- Construction Drawing: Different methods and precautions may be dictated by various ground conditions. This is to be determined by and is the responsibility of the contractor who is not an agent of the manufacturer of the component parts.
- Depth and shape of the pool meet minimum standards of the 2018 INTERNATIONAL SWIMMING POOL & SPA CODE and the APSP/ANSI/ICC-5 2011 STANDARDS FOR RESIDENTIAL INGROUND SWIMMING POOLS.
- A means of entry & exit for the deep end & shallow end of the pool must be provided in accordance with 2018 INTERNATIONAL SWIMMING POOL & SPA CODE, section 809.
- Equipotential bonding must be provided in accordance with the NATIONAL ELECTRIC CODE, NFPA 70.
- All A-frame braces are to be contained within an 8" thick continuous poured concrete (2500 psi) perimeter collar.
- Backfill with clean earth, free of roots and debris.
- Finished bottom is to be 2" minimum of suitable material or undisturbed earth.
- 3" wide, 3" thick concrete deck is to be poured at a slope of 1/8" to 1' away from the pool.
- NO DIVING labels are to be installed around the perimeter of the pool.
- A safety line, with buoys, is to be permanently attached 10' to the shallow side of the point of first slope change.
- Suction entrapment avoidance to be installed in accordance with APSP/ANSI/ICC-7



18' x 44' Left Roman End Lazy EL with Plastic Step

Perimeter	115'-5"	page	
Surface Area	796.69 SF		
Volume	26100 gal	2 of 2	
Liner Sq. Ft.	860.0000 SF		

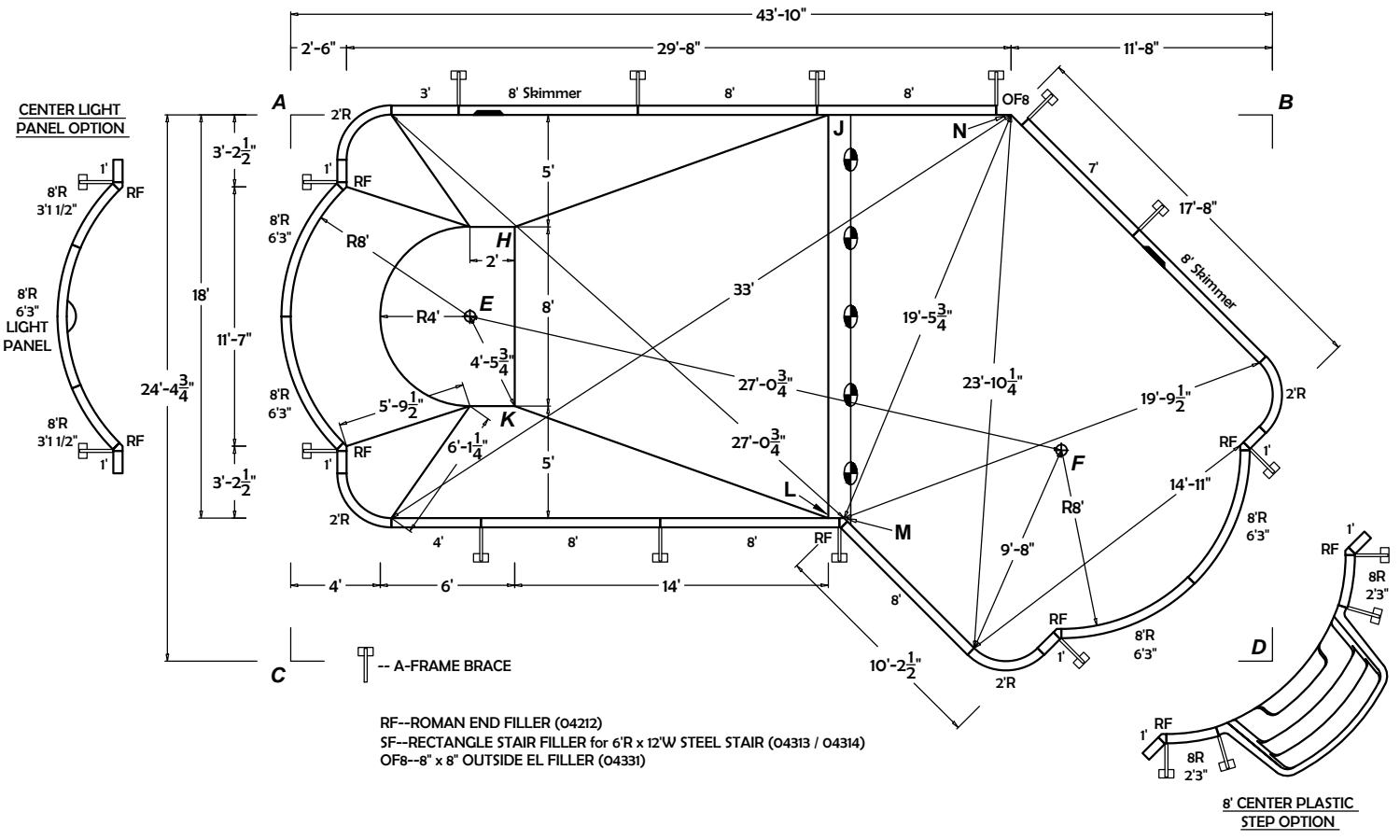
ITEM #	PART DESCRIPTION	No Stairs	8' Plastic Step
04101 / 05102	8' Plain Panel	2	2
04102 / 05104	8' Skimmer Panel - 1085	2	2
04103 / 05108	8' Return Panel	3	3
04105 / 05110	7' Plain Panel	1	1
04110	4' Plain Panel	1	1
04113	3' Plain Panel	1	1
04119	1' Plain Panel	4	4
04162	8' Radius Panel - 6'3"	4	2
04164	8' Radius Panel - 2'3"		2
04116	2' Radius Corner Panel	4	4
04212	Roman End Filler	5	5
04213	Roman End Filler Strap	10	10
04331	8" x 8" Outside EL Filler	1	1
----	Adjustable A-Frame	13	15
04022B	6'R x 12'W Steel Stair		
07418RSNR	8' Radius Step-n-Rest		1
PAK-75	Nut & Bolt Pak - 75 pcs		
PAK-100	Nut & Bolt Pak - 100 pcs	3	3
04134	8' Radius Light - 6'3"		
04133	8' Radius Panel - 3'1 1/2"		

ALL DIMENSIONS ARE FINISH DIMENSIONS

** see page A44 Steel Corner Filler specifications
** Coping Layouts are shown on pages A68 (Progressive) & A95 (CP2)

FROM A TO:	FROM B TO:	FROM C TO:	FROM D TO:	FROM E TO:	FROM F TO:
D 50'-1 3/4"	C 50'-1 3/4"	B 50'-1 3/4"	A 50'-1 3/4"	F 30'-1 1/4"	E 30'-1 1/4"
E 12'-0 1/2"	E 36'-11 1/4"	E 17'-4 1/4"	A 12'-0 1/2"	H 4'-5 3/4"	H 26'-4 1/4"
F 37'-6 1/4"	F 17'-8 1/4"	F 35'-8"	F 13'-4"	J 18'-4 1/4"	J 18'-2 3/4"
H 11'-2 1/4"	H 34'-2 1/4"	H 21'-9 3/4"	H 38'-11 3/4"	K 4'-5 3/4"	K 24'-5 3/4"
J 24"	J 19'-10"	J 34'-2 1/2"	J 31'-5 1/4"	L 18'-4 1/4"	L 10'-10"
K 16'-4 3/4"	K 36'-2 3/4"	K 15'-2"	K 35'-8 1/4"	M 18'-11 3/4"	M 10'-2"
L 30"	L 26'-9 1/4"	L 24'-10"	L 20'-10"	N 25'-9 1/2"	N 15'-1 1/2"
M 30'-6 3/4"	M 26'-3"	M 25'-6 1/4"	M 20'-2"		
N 32'-2"	N 11'-8"	N 40'-4 1/2"	N 27'-0 1/2"		

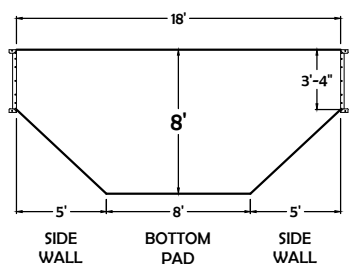
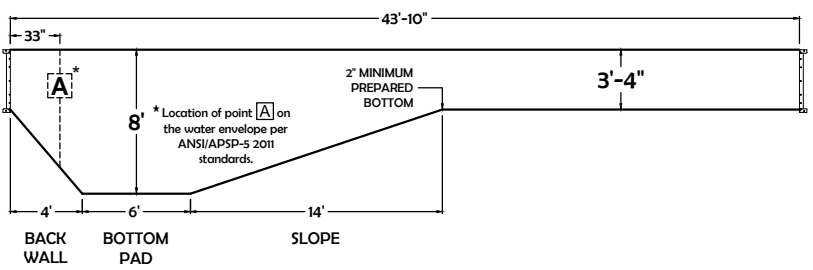
NOTE: point F is the center point pin for the 8R Roman End panels. This point is NOT required for pools with the 6'R x 12'W Steel Stair option.



DIVING PERMITTED ONLY FROM DESIGNATED DIVING AREA.
The bottom configuration shown conforms with current ISPSC & ANSI / APSP / ICC suggested minimum standards for pools approved for use with manufactured diving equipment.

WARNING: Swimming pools can be dangerous if used improperly. Consult your dealer for information on safe use. It's the responsibility of town officials, builders and homeowners to follow safety recommendations of APSP/ANSI, local ordinances & equipment manufacturers.

- All work not specifically shown here is to be done in accordance with the requirements of the 2018 INTERNATIONAL SWIMMING POOL & SPA CODE, APSP/ANSI/ICC-5 2011 STANDARDS FOR RESIDENTIAL INGROUND SWIMMING POOLS, and all other local building codes.
- Construction Drawing: Different methods and precautions may be dictated by various ground conditions. This is to be determined by and is the responsibility of the contractor who is not an agent of the manufacturer of the component parts.
- Depth and shape of the pool meet minimum standards of the 2018 INTERNATIONAL SWIMMING POOL & SPA CODE and the APSP/ANSI/ICC-5 2011 STANDARDS FOR RESIDENTIAL INGROUND SWIMMING POOLS.
- A means of entry & exit for the deep end & shallow end of the pool must be provided in accordance with 2018 INTERNATIONAL SWIMMING POOL & SPA CODE, section 809.
- Equipotential bonding must be provided in accordance with the NATIONAL ELECTRIC CODE, NFPA 70.
- All A-frame braces are to be contained within an 8" thick continuous poured concrete (2500 psi) perimeter collar.
- Backfill with clean earth, free of roots and debris.
- Finished bottom is to be 2" minimum of suitable material or undisturbed earth.
- 3" wide, 3" thick concrete deck is to be poured at a slope of 1/4" to 1' away from the pool. NO DIVING labels are to be installed around the perimeter of the pool.
- A safety line, with buoys, is to be permanently attached 10' to the shallow side of the point of first slope change.
- Suction entrapment avoidance to be installed in accordance with APSP/ANSI/ICC-7



18' x 44' Right Roman End Lazy EL with Steel Stair

Perimeter	117'-5"	page	
Surface Area	809.87 SF	1 of 2	
Volume	25950 gal		
Liner Sq. Ft.	810.0000 SF		

ITEM #	PART DESCRIPTION	QTY	UNIT
04101 / 05102	8' Plain Panel	2	
04102 / 05104	8' Skimmer Panel - 1085	2	
04103 / 05108	8' Return Panel	3	
04105 / 05110	7' Plain Panel	1	
04110	4' Plain Panel	1	
04113	3' Plain Panel	1	
04119	1' Plain Panel	4	
04162	8' Radius Panel - 6'3"	2	
04164	8' Radius Panel - 2'3"		
04116	2' Radius Corner Panel	4	
04212	Roman End Filler	3	
04213	Roman End Filler Strap	6	
04331	8" x 8" Outside EL Filler	1	
----	Adjustable A-Frame	11	
04022B	6'R x 12'W Steel Stair	1	
07418RSNR	8' Radius Step-n-Rest		
PAK-75	Nut & Bolt Pak - 75 pcs		
PAK-100	Nut & Bolt Pak - 100 pcs	3	
04134	8' Radius Light - 6'3"		
04133	8' Radius Panel - 3'1 1/2"		

ALL DIMENSIONS ARE FINISH DIMENSIONS

** see page A5 (full steel) & A6 (Nexus) for Radius Inside Steel Stair Filler specifications
 ** see page A44 Steel Corner Filler specifications
 ** Coping Layouts are shown on pages: A68 (Progressive) & A95 (CP2)

FROM A TO:	
D	50'-1 3/4"
E	12'-0 1/2"
G*	40'-9 3/4"
H	11'-2 1/4"
J	24"
K	16'-4 3/4"
L	30"
M	30'-6 3/4"
N	32'-2"

FROM B TO:	
C	50'-1 3/4"
E	36'-11 1/4"
G*	18'-9 1/2"
H	34'-2 1/4"
J	19'-10"
K	36'-2 3/4"
L	26'-9 1/4"
M	26'-3"
N	11'-8"

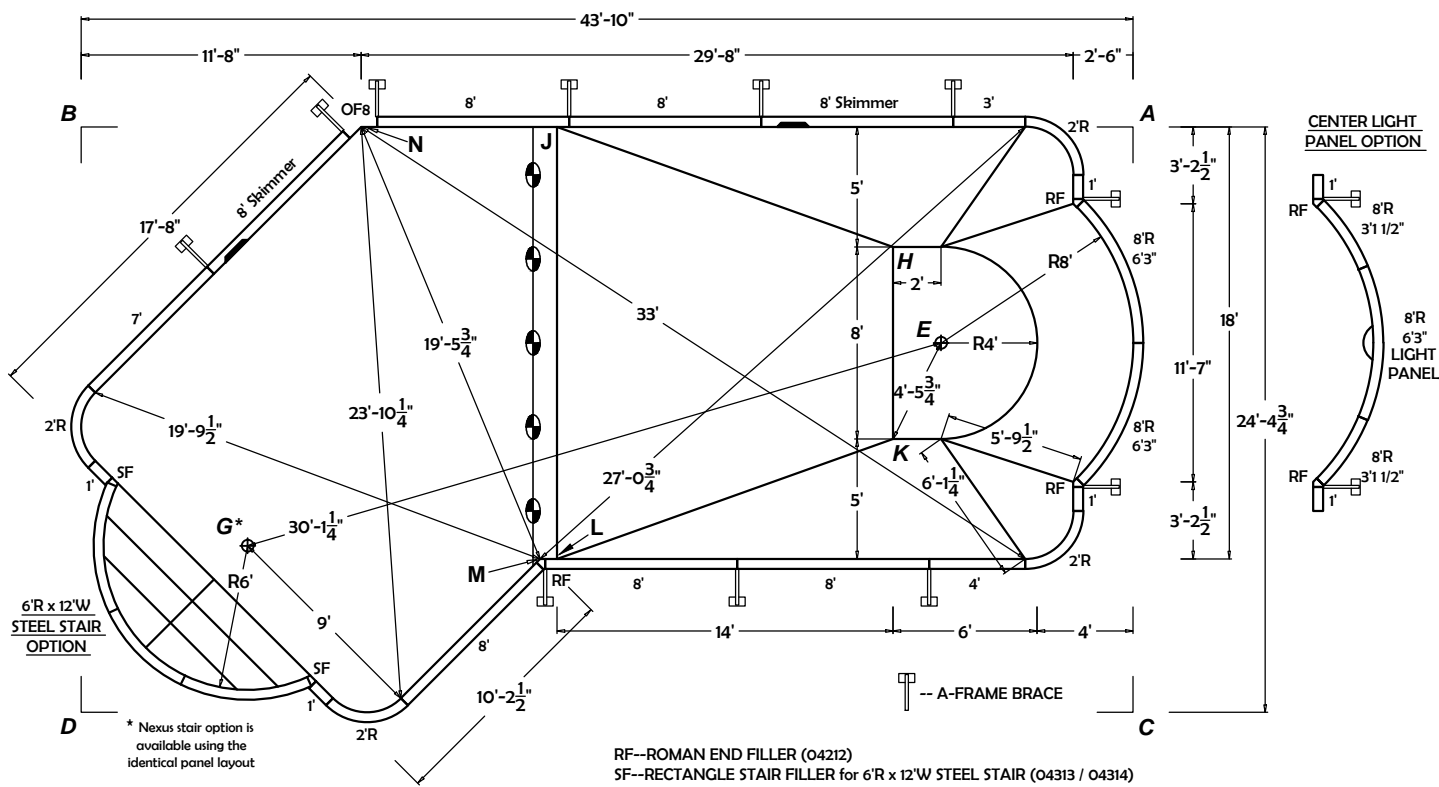
FROM C TO:	
B	50'-1 3/4"
E	17'-4 1/4"
G*	37'-6 1/2"
H	21'-9 3/4"
J	34'-2 1/2"
K	15'-2"
L	24'-10"
M	25'-6 1/4"
N	40'-4 1/2"

FROM D TO:	
A	50'-1 3/4"
E	39"
G*	9'-9 3/4"
H	38'-11 3/4"
J	31'-5 1/4"
K	35'-8 1/4"
L	20'-10"
M	20'-2"
N	27'-0 1/2"

FROM E TO:	
G*	30'-1 1/4"
H	4'-5 3/4"
J	18'-4 1/4"
K	4'-5 3/4"
L	18'-4 1/4"
M	18'-11 3/4"
N	25'-9 1/2"

FROM G* TO:	
E	30'-1 1/4"
H	29'-7 3/4"
J	21'-8 1/2"
K	27'-3"
L	12'-10 3/4"
M	12'-2 1/4"
N	18'-1"

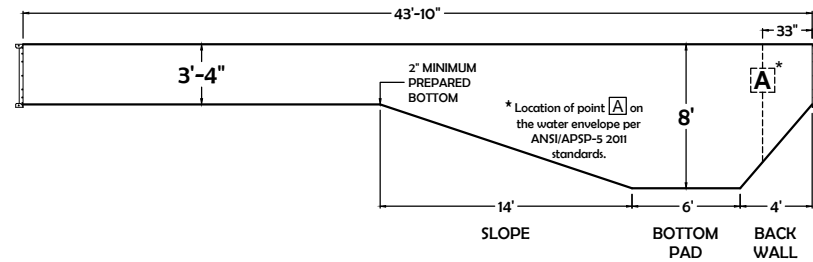
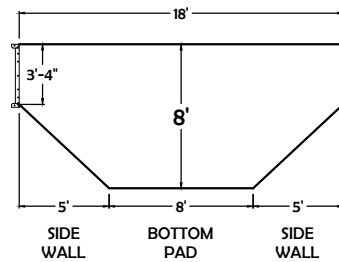
NOTE: point G* is the center point pin for the 6'R x 12'W Steel Stair. This point is NOT required for pools with no stair or plastic step options.



DIVING PERMITTED ONLY FROM DESIGNATED DIVING AREA.
 The bottom configuration shown conforms with current ISPCS & ANSI / APSP / ICC suggested minimum standards for pools approved for use with manufactured diving equipment.

WARNING: Swimming pools can be dangerous if used improperly. Consult your dealer for information on safe use. It's the responsibility of town officials, builders and homeowners to follow safety recommendations of APSP/ANSI, local ordinances & equipment manufacturers.

- All work not specifically shown here is to be done in accordance with the requirements of the 2018 INTERNATIONAL SWIMMING POOL & SPA CODE, APSP/ANSI/ICC-5 2011 STANDARDS FOR RESIDENTIAL INGROUND SWIMMING POOLS, and all other local building codes.
- Construction Drawing: Different methods and precautions may be dictated by various ground conditions. This is to be determined by and is the responsibility of the contractor who is not an agent of the manufacturer of the component parts.
- Depth and shape of the pool meet minimum standards of the 2018 INTERNATIONAL SWIMMING POOL & SPA CODE and the APSP/ANSI/ICC-5 2011 STANDARDS FOR RESIDENTIAL INGROUND SWIMMING POOLS.
- A means of entry & exit for the deep end & shallow end of the pool must be provided in accordance with 2018 INTERNATIONAL SWIMMING POOL & SPA CODE, section 809.
- Equipotential bonding must be provided in accordance with the NATIONAL ELECTRIC CODE, NFPA 70.
- All A-frame braces are to be contained within an 8" thick continuous poured concrete (2500 psi) perimeter collar.
- Backfill with clean earth, free of roots and debris.
- Finished bottom is to be 2" minimum of suitable material or undisturbed earth.
- 3" wide, 3" thick concrete deck is to be poured at a slope of 1/4" to 1' away from the pool. NO DIVING labels are to be installed around the perimeter of the pool.
- A safety line, with buoys, is to be permanently attached 10' to the shallow side of the point of first slope change.
- Suction entrapment avoidance to be installed in accordance with APSP/ANSI/ICC-7



18' x 44' Right Roman End Lazy EL with Plastic Step

Perimeter	115'-5"	page	
Surface Area	796.69 SF	2 of 2	
Volume	26100 gal		
Liner Sq. Ft.	860.0000 SF		

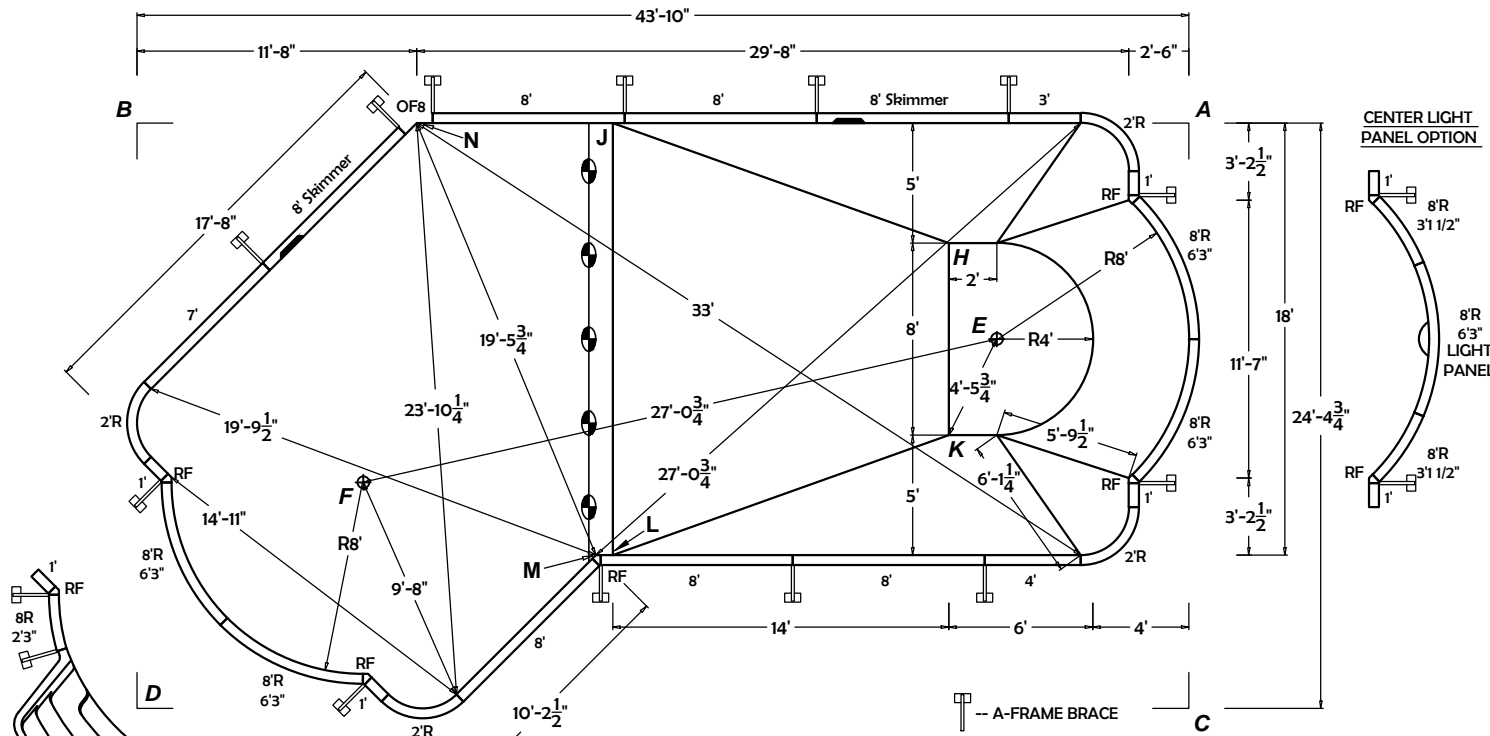
ITEM #	PART DESCRIPTION	No Stairs	8' Plastic Step
04101 / 05102	8' Plain Panel	2	2
04102 / 05104	8' Skimmer Panel - 1085	2	2
04103 / 05108	8' Return Panel	3	3
04105 / 05110	7' Plain Panel	1	1
04110	4' Plain Panel	1	1
04113	3' Plain Panel	1	1
04119	1' Plain Panel	4	4
04162	8' Radius Panel - 6'3"	4	2
04164	8' Radius Panel - 2'3"		2
04116	2' Radius Corner Panel	4	4
04212	Roman End Filler	5	5
04213	Roman End Filler Strap	10	10
04331	8" x 8" Outside EL Filler	1	1
----	Adjustable A-Frame	13	15
04022B	6'R x 12'W Steel Stair		
07418RSNR	8' Radius Step-n-Rest		1
PAK-75	Nut & Bolt Pak - 75 pcs		
PAK-100	Nut & Bolt Pak - 100 pcs	3	3
04134	8' Radius Light - 6'3"		
04133	8' Radius Panel - 3'1 1/2"		

ALL DIMENSIONS ARE FINISH DIMENSIONS

** see page A44 Steel Corner Filler specifications
 ** Coping Layouts are shown on pages A68 (Progressive) & A95 (CP2)

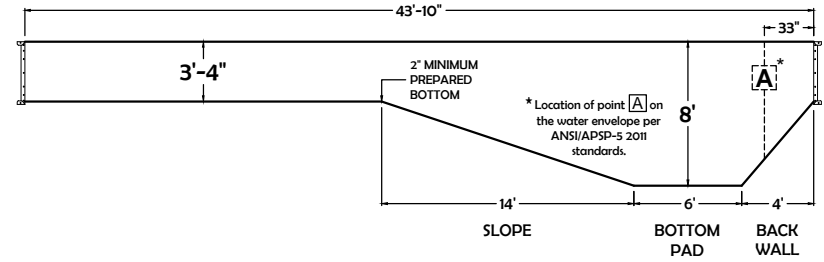
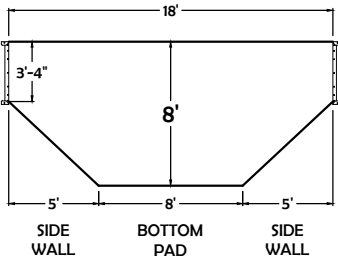
FROM A TO:	FROM B TO:	FROM C TO:	FROM D TO:	FROM E TO:	FROM F TO:
D 50'-1 3/4"	C 50'-1 3/4"	B 50'-1 3/4"	A 50'-1 3/4"	F 30'-1 1/4"	E 30'-1 1/4"
E 12'-0 1/2"	E 36'-11 1/4"	E 17'-4 1/4"	E 17'-4 1/4"	H 4'-5 3/4"	H 26'-4 1/4"
F 37'-6 1/4"	F 17'-8 1/4"	F 35'-8"	F 13'-4"	J 18'-4 1/4"	J 18'-2 3/4"
H 11'-2 1/4"	H 34'-2 1/4"	H 21'-9 3/4"	H 38'-11 3/4"	K 4'-5 3/4"	K 24'-5 3/4"
J 24"	J 19'-10"	J 34'-2 1/2"	J 31'-5 1/4"	L 18'-4 1/4"	L 10'-10"
K 16'-4 3/4"	K 36'-2 3/4"	K 15'-2"	K 35'-8 1/4"	M 18'-11 1/4"	M 10'-2"
L 30"	L 26'-9 1/4"	L 24'-10"	L 20'-10"	N 25'-9 1/2"	N 15'-1 1/2"
M 30'-6 3/4"	M 26'-3"	M 25'-6 1/4"	M 20'-2"		
N 32'-2"	N 11'-8"	N 40'-4 1/2"	N 27'-0 1/2"		

NOTE: point F is the center point pin for the 8'R Roman End panels. This point is NOT required for pools with the 6'R x 12'W Steel Stair option.



RF--ROMAN END FILLER (04212)
 SF--RECTANGLE STAIR FILLER for 6'R x 12'W STEEL STAIR (04313 / 04314)
 OF8--8" x 8" OUTSIDE EL FILLER (04331)

8' CENTER PLASTIC STEP OPTION



DIVING PERMITTED ONLY FROM DESIGNATED DIVING AREA.
 The bottom configuration shown conforms with current ISPSC & ANSI / APSP / ICC suggested minimum standards for pools approved for use with manufactured diving equipment.

WARNING: Swimming pools can be dangerous if used improperly. Consult your dealer for information on safe use. It's the responsibility of town officials, builders and homeowners to follow safety recommendations of APSP/ANSI, local ordinances & equipment manufacturers.

- All work not specifically shown here is to be done in accordance with the requirements of the 2018 INTERNATIONAL SWIMMING POOL & SPA CODE, APSP/ANSI/ICC-5 2011 STANDARDS FOR RESIDENTIAL INGROUND SWIMMING POOLS, and all other local building codes.
- Construction Drawing: Different methods and precautions may be dictated by various ground conditions. This is to be determined by and is the responsibility of the contractor who is not an agent of the manufacturer of the component parts.
- Depth and shape of the pool meet minimum standards of the 2018 INTERNATIONAL SWIMMING POOL & SPA CODE and the APSP/ANSI/ICC-5 2011 STANDARDS FOR RESIDENTIAL INGROUND SWIMMING POOLS.
- A means of entry & exit for the deep end & shallow end of the pool must be provided in accordance with 2018 INTERNATIONAL SWIMMING POOL & SPA CODE, section 809.
- Equipotential bonding must be provided in accordance with the NATIONAL ELECTRIC CODE, NFPA 70.
- All A-frame braces are to be contained within an 8" thick continuous poured concrete (2500 psi) perimeter collar.
- Backfill with clean earth, free of roots and debris.
- Finished bottom is to be 2" minimum of suitable material or undisturbed earth.
- 3' wide, 3" thick concrete deck is to be poured at a slope of 1/8" to 1' away from the pool.
- NO DIVING labels are to be installed around the perimeter of the pool.
- A safety line, with buoys, is to be permanently attached 10' to the shallow side of the point of first slope change.
- Suction entrapment avoidance to be installed in accordance with APSP/ANSI/ICC-7

16' x 32' Standard View Keyhole

Perimeter	85'-4"	page							
Surface Area	423.88 SF	1 of 2	No Stairs						
Volume	11200 gal		8' Steel Stair						
Liner Sq. Ft.	512.0000 SF		8' Plastic Step						
ITEM #	PART DESCRIPTION								
04101 / 05102	8' Plain Panel	2	2	2					
04102 / 05104	8' Skimmer Panel - 1085	1	1	1					
04103 / 05108	8' Return Panel	1	1	1					
04106 / 05112	6' Plain Panel	2	2	2					
04126	1'6" Plain Panel	1	1	1					
04119	1' Plain Panel	1	1	1					
04136	6" Plain Panel	1	1	1					
04162	8' Radius Panel - 6'3"	3	2	1					
04167	8' Radius Return - 6'3"	1	1	1					
04163	8' Radius Panel - 3'3"	2	2	2					
04164	8' Radius Panel - 2'3"			2					
04217	8' Radius Panel - 1'11"		2						
04116	2' Radius Corner Panel	2	2	2					
04212	Roman End Filler	1	1	1					
04215(U)	Left Roman Stair Filler		1						
04216(U)	Right Roman Stair Filler		1						
----	Adjustable A-Frame	7	7	9					
04188B	8' Steel Stair		1						
07418RSNR	8' Radius Step-n-Rest			1					
PAK-75	Nut & Bolt Pak - 75 pcs								
PAK-100	Nut & Bolt Pak - 100 pcs	2	2	2					
04104 / 05109	8' Light Panel								

ALL DIMENSIONS ARE FINISH DIMENSIONS

** see page A19 (full steel) & A20 (Nexus) for Straight Steel Stair Filler specifications
 ** see page A44 Steel Corner Filler specifications
 ** Coping Layouts are shown on pages A68 (Progressive) & A95 (CP2)

FROM A TO:

D	35'-9 1/4"
E	25'-3 1/2"
F	21'-11 1/2"
H	10'-3 3/4"
J	17'-6"
K	13'-1"
L	21'-9 1/2"

FROM B TO:

C	35'-9 1/4"
E	11'-3 3/4"
F	19'-4"
H	22'-10 1/4"
J	14'-6"
K	24'-2 3/4"
L	19'-5 3/4"

FROM C TO:

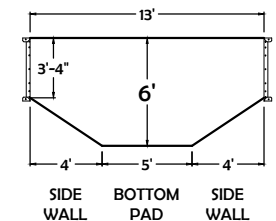
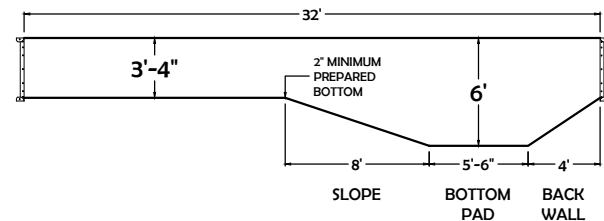
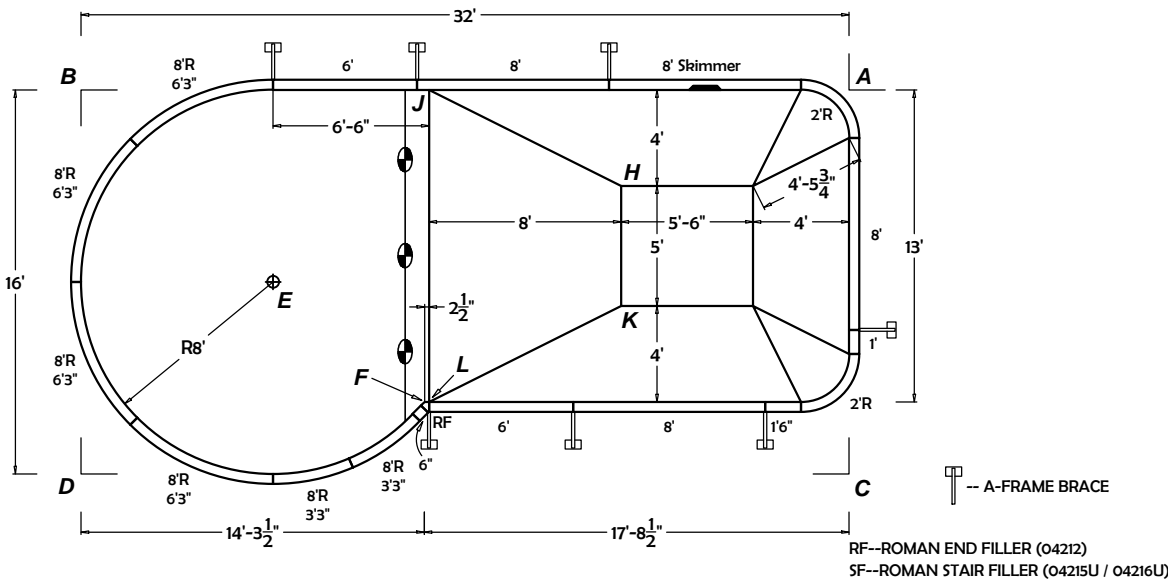
B	35'-9 1/4"
E	25'-3 1/2"
F	17'-11 1/4"
H	15'-3 3/4"
J	23'-8 1/2"
K	11'-9 1/2"
L	17'-9"

FROM D TO:

A	35'-9 1/4"
E	11'-3 3/4"
F	14'-7 1/2"
H	25'-6"
J	21'-7"
K	23'-6 3/4"
L	14'-9 3/4"

FROM E TO:

F	8'-0 1/2"
H	15'-0 1/2"
J	10'-3 3/4"
K	14'-6 1/2"
L	8'-2 1/2"



NO DIVING PERMITTED INTO THIS POOL

The bottom configuration shown conforms with current ISPSA & ANSI / APSP / ICC suggested minimum standards for pools NOT approved for diving.

WARNING: Swimming pools can be dangerous if used improperly. Consult your dealer for information on safe use. It's the responsibility of town officials, builders and homeowners to follow safety recommendations of APSP/ANSI, local ordinances & equipment manufacturers.

- All work not specifically shown here is to be done in accordance with the requirements of the 2018 INTERNATIONAL SWIMMING POOL & SPA CODE, APSP/ANSI/ICC-5 2011 STANDARDS FOR RESIDENTIAL INGROUND SWIMMING POOLS, and all other local building codes.
- Construction Drawing: Different methods and precautions may be dictated by various ground conditions. This is to be determined by and is the responsibility of the contractor who is not an agent of the manufacturer of the component parts.
- Depth and shape of the pool meet minimum standards of the 2018 INTERNATIONAL SWIMMING POOL & SPA CODE and the APSP/ANSI/ICC-5 2011 STANDARDS FOR RESIDENTIAL INGROUND SWIMMING POOLS.
- A means of entry & exit for the deep end & shallow end of the pool must be provided in accordance with 2018 INTERNATIONAL SWIMMING POOL & SPA CODE, section 809.
- Equipotential bonding must be provided in accordance with the NATIONAL ELECTRIC CODE, NFPA 70.
- All A-frame braces are to be contained within an 8" thick continuous poured concrete (2500 psi) perimeter collar.
- Backfill with clean earth, free of roots and debris.
- Finished bottom is to be 2" minimum of suitable material or undisturbed earth.
- 3" wide, 3" thick concrete deck is to be poured at a slope of 1/4" to 1' away from the pool.
- NO DIVING labels are to be installed around the perimeter of the pool.
- A safety line, with buoys, is to be permanently attached 10' to the shallow side of the point of first slope change.
- Suction entrapment avoidance to be installed in accordance with APSP/ANSI/ICC-7

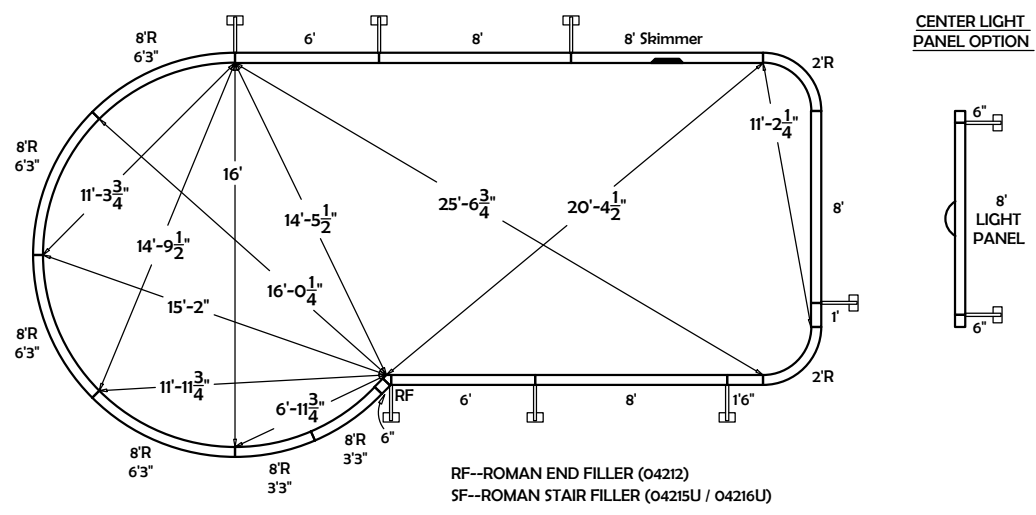
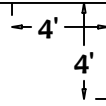
16' x 32' Standard View

Keyhole

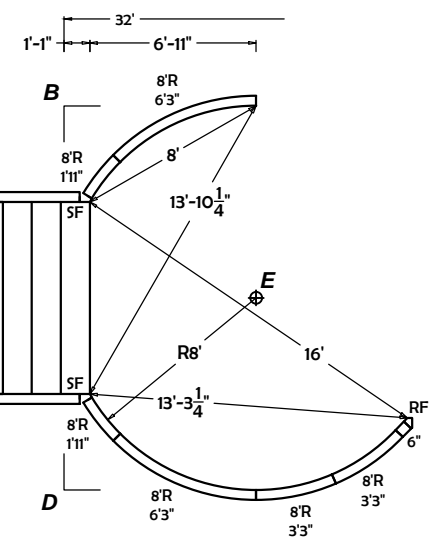
Perimeter	85'-4"	page 2 of 2
Surface Area	423.88 SF	
Volume	11200 gcl	
Liner Sq. Ft.	512.0000 SF	

ALL DIMENSIONS ARE FINISH DIMENSIONS

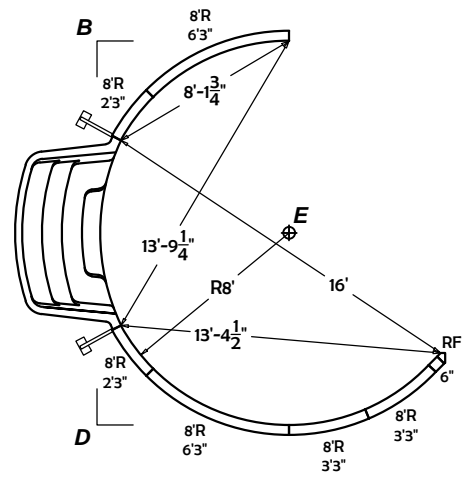
** see page A19 (full steel) & A20 (Nexus) for Straight Steel Stair Filler specifications
 ** see page A44 Steel Corner Filler specifications
 ** Coping Layouts are shown on pages A68 (Progressive) & A95 (CP2)



8' STEEL STAIR OPTION



8' RADIUS PLASTIC STEP OPTION



* Nexus stair option is available using the identical panel layout

NO DIVING PERMITTED INTO THIS POOL

The bottom configuration shown conforms with current ISPS & ANSI / APSP / ICC suggested minimum standards for pools NOT approved for diving.

WARNING: Swimming pools can be dangerous if used improperly. Consult your dealer for information on safe use. It's the responsibility of town officials, builders and homeowners to follow safety recommendations of APSP/ANSI, local ordinances & equipment manufacturers.

- All work not specifically shown here is to be done in accordance with the requirements of the 2018 INTERNATIONAL SWIMMING POOL & SPA CODE, APSP/ANSI/ICC-5 2011 STANDARDS FOR RESIDENTIAL INGROUND SWIMMING POOLS, and all other local building codes.
- Construction Drawing: Different methods and precautions may be dictated by various ground conditions. This is to be determined by and is the responsibility of the contractor who is not an agent of the manufacturer of the component parts.
- Depth and shape of the pool meet minimum standards of the 2018 INTERNATIONAL SWIMMING POOL & SPA CODE and the APSP/ANSI/ICC-5 2011 STANDARDS FOR RESIDENTIAL INGROUND SWIMMING POOLS.
- A means of entry & exit for the deep end & shallow end of the pool must be provided in accordance with 2018 INTERNATIONAL SWIMMING POOL & SPA CODE, section 809.
- Equipotential bonding must be provided in accordance with the NATIONAL ELECTRIC CODE, NFPA 70.
- All A-frame braces are to be contained within an 8" thick continuous poured concrete (2500 psi) perimeter collar.
- Backfill with clean earth, free of roots and debris.
- Finished bottom is to be 2" minimum of suitable material or undisturbed earth.
- 3" wide, 3" thick concrete deck is to be poured at a slope of 1/4" to 1' away from the pool.
- NO DIVING labels are to be installed around the perimeter of the pool.
- A safety line, with buoys, is to be permanently attached 10' to the shallow side of the point of first slope change.
- Suction entrapment avoidance to be installed in accordance with APSP/ANSI/ICC-7

16' x 32' Reverse View

Keyhole

Perimeter	85'-4"	page 1 of 2	No Stairs	8' Steel Stair	8' Plastic Step
Surface Area	423.88 SF				
Volume	11200 gal				
Liner Sq. Ft.	512.0000 SF				
ITEM #	PART DESCRIPTION				
04101 / 05102	8' Plain Panel	2	2	2	
04102 / 05104	8' Skimmer Panel - 1085	1	1	1	
04103 / 05108	8' Return Panel	1	1	1	
04106 / 05112	6' Plain Panel	2	2	2	
04126	1'6" Plain Panel	1	1	1	
04119	1' Plain Panel	1	1	1	
04136	6" Plain Panel	1	1	1	
04162	8' Radius Panel - 6'3"	3	2	1	
04167	8' Radius Return - 6'3"	1	1		
04163	8' Radius Panel - 3'3"	2	2	2	
04164	8' Radius Panel - 2'3"			2	
04217	8' Radius Panel - 1'11"		2		
04116	2' Radius Corner Panel	2	2	2	
04212	Roman End Filler	1	1	1	
04215(U)	Left Roman Stair Filler		1		
04216(U)	Right Roman Stair Filler		1		
----	Adjustable A-Frame	7	7	9	
04188B	8' Steel Stair		1		
07418RSNR	8' Radius Step-n-Rest			1	
PAK-75	Nut & Bolt Pak - 75 pcs				
PAK-100	Nut & Bolt Pak - 100 pcs	2	2	2	
04104 / 05109	8' Light Panel				

ALL DIMENSIONS ARE FINISH DIMENSIONS

** see page A19 (full steel) & A20 (Nexus) for Straight Steel Stair Filler specifications
 ** see page A44 Steel Corner Filler specifications
 ** Coping Layouts are shown on pages A68 (Progressive) & A95 (CP2)

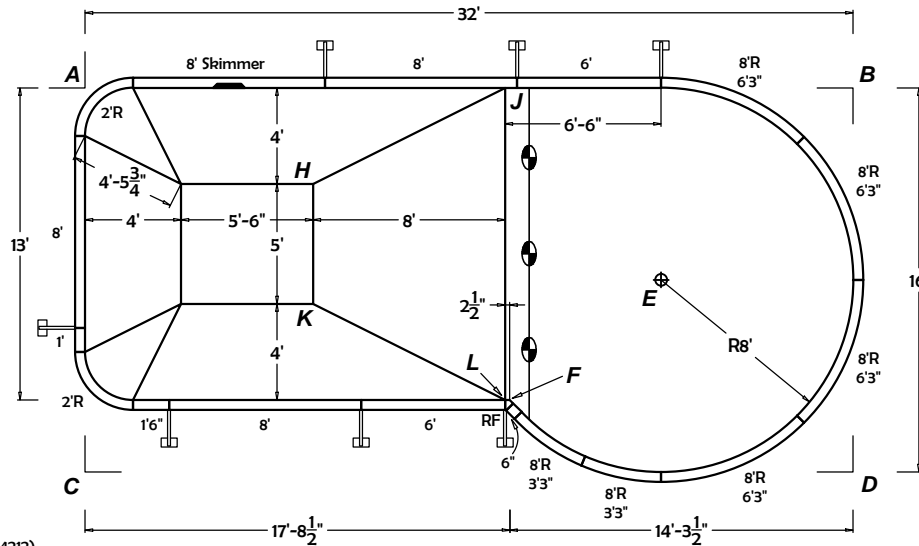
FROM A TO:	
D	35'-9 1/4"
E	25'-3 1/2"
F	21'-11 1/2"
H	10'-3 3/4"
J	17'-6"
K	13'-1"
L	21'-9 1/2"

FROM B TO:	
C	35'-9 1/4"
E	11'-3 3/4"
F	19'-4"
H	22'-10 1/4"
J	14'-6"
K	24'-2 3/4"
L	19'-5 3/4"

FROM C TO:	
B	35'-9 1/4"
E	25'-3 1/2"
F	17'-11 1/4"
H	15'-3 3/4"
J	23'-8 1/2"
K	11'-9 1/2"
L	17'-9"

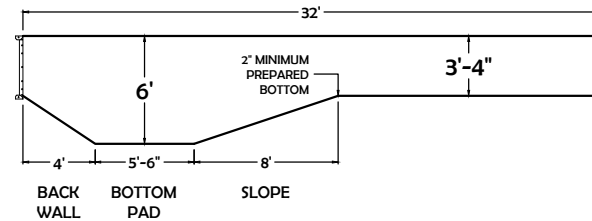
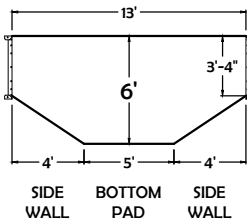
FROM D TO:	
A	35'-9 1/4"
E	11'-3 3/4"
F	14'-7 1/2"
H	25'-6"
J	21'-7"
K	23'-6 3/4"
L	14'-9 3/4"

FROM E TO:	
F	8'-0 1/2"
H	15'-0 1/2"
J	10'-3 3/4"
K	14'-6 1/2"
L	8'-2 1/2"



-- A-FRAME BRACE

RF--ROMAN END FILLER (04212)
 SF--ROMAN STAIR FILLER (04215U / 04216U)



NO DIVING PERMITTED INTO THIS POOL
 The bottom configuration shown conforms with current ISPS & ANSI / APSP / ICC suggested minimum standards for pools NOT approved for diving.

WARNING: Swimming pools can be dangerous if used improperly. Consult your dealer for information on safe use. It's the responsibility of town officials, builders and homeowners to follow safety recommendations of APSP/ANSI, local ordinances & equipment manufacturers.

- All work not specifically shown here is to be done in accordance with the requirements of the 2018 INTERNATIONAL SWIMMING POOL & SPA CODE, APSP/ANSI/ICC-5 2011 STANDARDS FOR RESIDENTIAL INGROUND SWIMMING POOLS, and all other local building codes.
- Construction Drawing: Different methods and precautions may be dictated by various ground conditions. This is to be determined by and is the responsibility of the contractor who is not an agent of the manufacturer of the component parts.
- Depth and shape of the pool meet minimum standards of the 2018 INTERNATIONAL SWIMMING POOL & SPA CODE and the APSP/ANSI/ICC-5 2011 STANDARDS FOR RESIDENTIAL INGROUND SWIMMING POOLS.
- A means of entry & exit for the deep end & shallow end of the pool must be provided in accordance with 2018 INTERNATIONAL SWIMMING POOL & SPA CODE, section 809.
- Equipotential bonding must be provided in accordance with the NATIONAL ELECTRIC CODE, NFPA 70.
- All A-frame braces are to be contained within an 8" thick continuous poured concrete (2500 psi) perimeter collar.
- Backfill with clean earth, free of roots and debris.
- Finished bottom is to be 2" minimum of suitable material or undisturbed earth.
- 3" wide, 3" thick concrete deck is to be poured at a slope of 1/4" to 1' away from the pool.
- NO DIVING labels are to be installed around the perimeter of the pool.
- A safety line, with buoys, is to be permanently attached 10' to the shallow side of the point of first slope change.
- Suction entrapment avoidance to be installed in accordance with APSP/ANSI/ICC-7

16' x 32' Reverse View

Keyhole

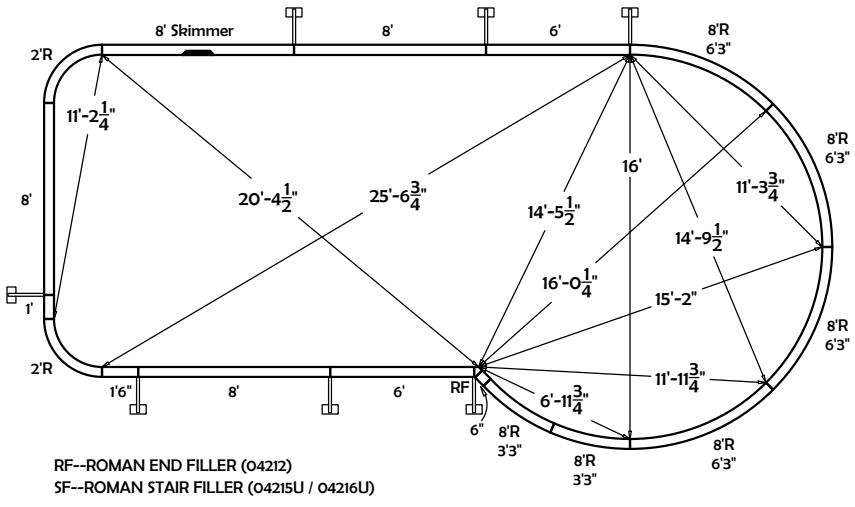
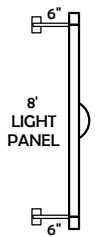
Perimeter	85'-4"	page 2 of 2
Surface Area	423.88 SF	
Volume	11200 gal	
Liner Sq. Ft.	512.0000 SF	

ALL DIMENSIONS ARE FINISH DIMENSIONS

** see page A19 (full steel) & A20 (Nexus) for Straight Steel Stair Filler specifications
 ** see page A44 Steel Corner Filler specifications
 ** Coping Layouts are shown on pages A68 (Progressive) & A95 (CP2)

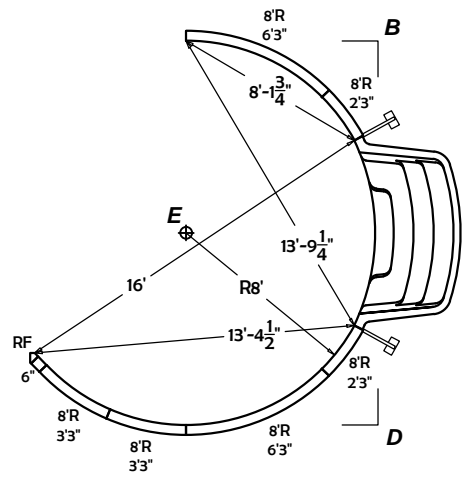
4'
4'

CENTER LIGHT PANEL OPTION

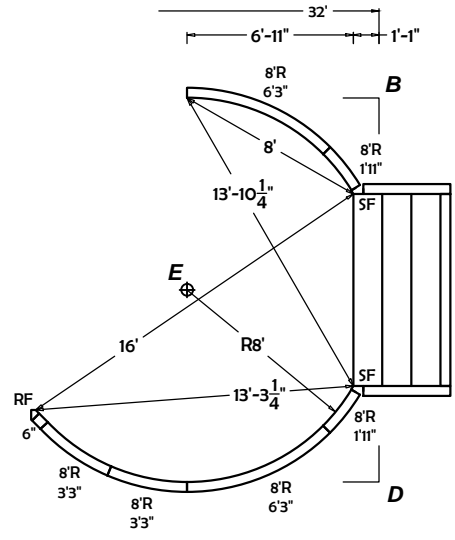


RF--ROMAN END FILLER (O4212)
 SF--ROMAN STAIR FILLER (O4215U / O4216U)

8' RADIUS PLASTIC STEP OPTION



8' STEEL STAIR OPTION



* Nexus stair option is available using the identical panel layout

NO DIVING PERMITTED INTO THIS POOL

The bottom configuration shown conforms with current ISPSC & ANSI / APSP / ICC suggested minimum standards for pools NOT approved for diving.

WARNING: Swimming pools can be dangerous if used improperly. Consult your dealer for information on safe use. It's the responsibility of town officials, builders and homeowners to follow safety recommendations of APSP/ANSI, local ordinances & equipment manufacturers.

- All work not specifically shown here is to be done in accordance with the requirements of the 2018 INTERNATIONAL SWIMMING POOL & SPA CODE, APSP/ANSI/ICC-5 2011 STANDARDS FOR RESIDENTIAL INGROUND SWIMMING POOLS, and all other local building codes.
- Construction Drawing: Different methods and precautions may be dictated by various ground conditions. This is to be determined by and is the responsibility of the contractor who is not an agent of the manufacturer of the component parts.
- Depth and shape of the pool meet minimum standards of the 2018 INTERNATIONAL SWIMMING POOL & SPA CODE and the APSP/ANSI/ICC-5 2011 STANDARDS FOR RESIDENTIAL INGROUND SWIMMING POOLS.
- A means of entry & exit for the deep end & shallow end of the pool must be provided in accordance with 2018 INTERNATIONAL SWIMMING POOL & SPA CODE, section 809.
- Equipotential bonding must be provided in accordance with the NATIONAL ELECTRIC CODE, NFPA 70.
- All A-frame braces are to be contained within an 8" thick continuous poured concrete (2500 psi) perimeter collar.
- Backfill with clean earth, free of roots and debris.
- Finished bottom is to be 2" minimum of suitable material or undisturbed earth.
- 3" wide, 3" thick concrete deck is to be poured at a slope of 1/4" to 1' away from the pool.
- NO DIVING labels are to be installed around the perimeter of the pool.
- A safety line, with buoys, is to be permanently attached 10' to the shallow side of the point of first slope change.
- Suction entrapment avoidance to be installed in accordance with APSP/ANSI/ICC-7

page :

18' x 36' Standard View

Keyhole

Perimeter	96'-5"	page							
Surface Area	544.46 SF	1 of 2	No Stairs						
Volume	15150 gal		8' Steel Stair						
Liner Sq. Ft.	648.0000 SF		8' Plastic Step						
ITEM #	PART DESCRIPTION								
04101 / 05102	8' Plain Panel	3	3	3					
04102 / 05104	8' Skimmer Panel - 1085	1	1	1					
04103 / 05108	8' Return Panel	1	1	1					
04249	5'9" Plain Panel	1	1	1					
04248	4'4" Plain Panel	1	1	1					
04113	3' Plain Panel	1	1	1					
04126	1'6" Plain Panel								
04119	1' Plain Panel	1	1	1					
04121	5" Plain Panel	1	1	1					
04170	9' Radius Panel - 6'3"	4	3	2					
04176	9' Radius Return - 6'3"	1	1						
04442	9' Radius Panel - 4'7 1/4"			1					
04304	9' Radius Panel - 4'2"		1						
04175	9' Radius Panel - 3'9 3/4"	1	1						
04303	9' Radius Panel - 3'6 1/2"		1						
04116	2' Radius Corner Panel	2	2	2					
04212	Roman End Filler	1	1	1					
04215(U)	Left Roman Stair Filler	1							
04216(U)	Right Roman Stair Filler	1							
----	Adjustable A-Frame	8	8	10					
04188B	8' Steel Stair		1						
07418RSNR	8' Radius Step-n-Rest			1					
PAK-75	Nut & Bolt Pak - 75 pcs								
PAK-100	Nut & Bolt Pak - 100 pcs	2	2	2					
04104 / 05109	8' Light Panel								

ALL DIMENSIONS ARE FINISH DIMENSIONS

** see page A19 (full steel) & A20 (Nexus) for Straight Steel Stair Filler specifications
 ** see page A44 Steel Corner Filler specifications
 ** Coping Layouts are shown on pages A68 (Progressive) & A95 (CP2)

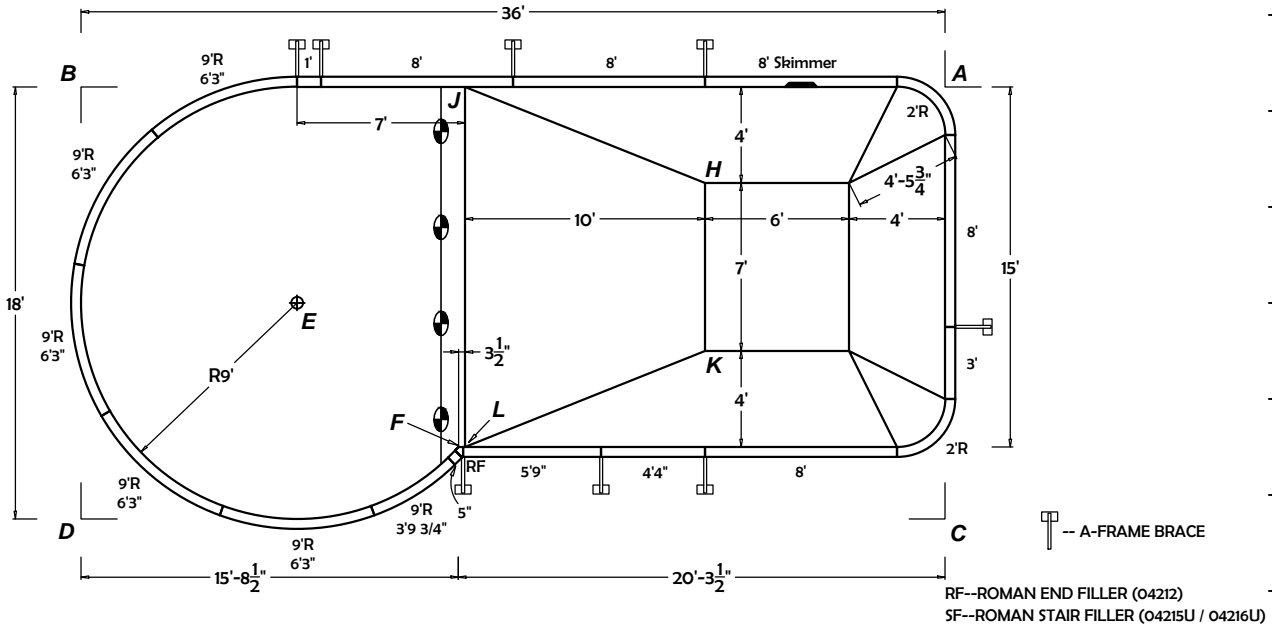
FROM A TO:	
D	40'-3"
E	28'-5 1/2"
F	25'-2 3/4"
H	10'-9 1/4"
J	20'
K	14'-10 1/2"
L	25'

FROM B TO:	
C	40'-3"
E	12'-8 3/4"
F	21'-8 3/4"
H	26'-3 3/4"
J	16'
K	28'-2 3/4"
L	21'-11 1/4"

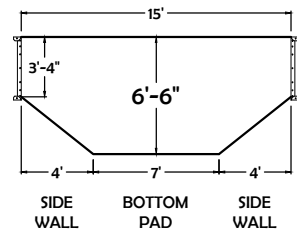
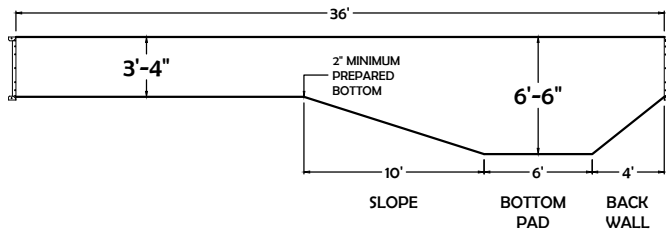
FROM C TO:	
B	40'-3"
E	28'-5 1/2"
F	20'-6"
H	17'-2 1/2"
J	26'-11"
K	12'-2 1/2"
L	20'-2 3/4"

FROM D TO:	
A	40'-3"
E	12'-8 3/4"
F	16'
H	29'-6 1/4"
J	24'-1"
K	26'-11"
L	16'-3 1/4"

FROM E TO:	
F	9'-0 1/4"
H	17'-8 3/4"
J	11'-4 3/4"
K	17'-1 1/2"
L	9'-2 3/4"



RF--ROMAN END FILLER (04212)
 SF--ROMAN STAIR FILLER (04215U / 04216U)



NO DIVING PERMITTED INTO THIS POOL
 The bottom configuration shown conforms with current ISPSA & ANSI / APSP / ICC suggested minimum standards for pools NOT approved for diving.

WARNING: Swimming pools can be dangerous if used improperly. Consult your dealer for information on safe use. It's the responsibility of town officials, builders and homeowners to follow safety recommendations of APSP/ANSI, local ordinances & equipment manufacturers.

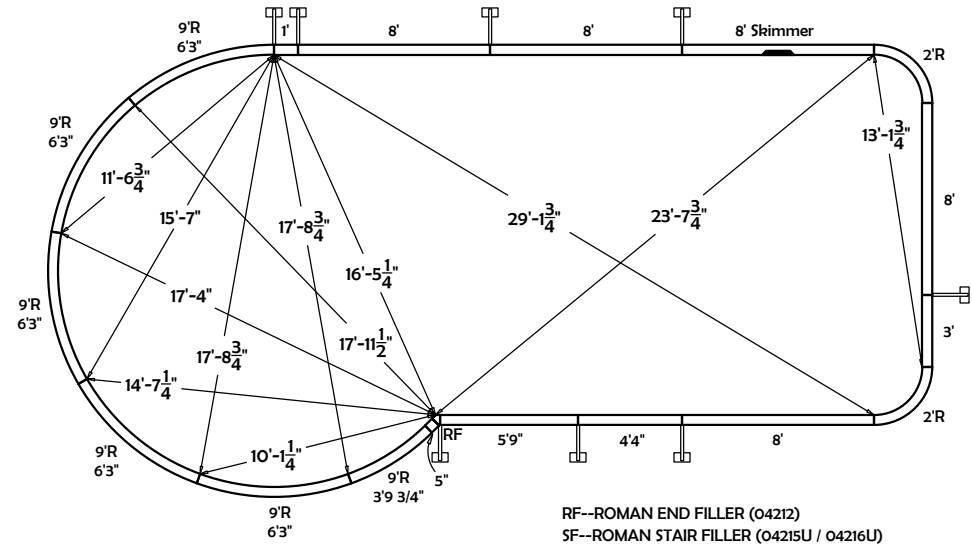
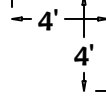
- All work not specifically shown here is to be done in accordance with the requirements of the 2018 INTERNATIONAL SWIMMING POOL & SPA CODE, APSP/ANSI/ICC-5 2011 STANDARDS FOR RESIDENTIAL INGROUND SWIMMING POOLS, and all other local building codes.
- Construction Drawing: Different methods and precautions may be dictated by various ground conditions. This is to be determined by and is the responsibility of the contractor who is not an agent of the manufacturer of the component parts.
- Depth and shape of the pool meet minimum standards of the 2018 INTERNATIONAL SWIMMING POOL & SPA CODE and the APSP/ANSI/ICC-5 2011 STANDARDS FOR RESIDENTIAL INGROUND SWIMMING POOLS.
- A means of entry and exit for the deep end & shallow end of the pool must be provided in accordance with 2018 INTERNATIONAL SWIMMING POOL & SPA CODE, section 809.
- Equipotential bonding must be provided in accordance with the NATIONAL ELECTRIC CODE, NFPA 70.
- All A-frame braces are to be contained within an 8" thick continuous poured concrete (2500 psi) perimeter collar.
- Backfill with clean earth, free of roots and debris.
- Finished bottom is to be 2" minimum of suitable material or undisturbed earth.
- 3' wide, 3" thick concrete deck is to be poured at a slope of 1/4" to 1' away from the pool. NO DIVING labels are to be installed around the perimeter of the pool.
- A safety line, with buoys, is to be permanently attached 10' to the shallow side of the point of first slope change.
- Suction entrapment avoidance to be installed in accordance with APSP/ANSI/ICC-7

18' x 36' Standard View Keyhole

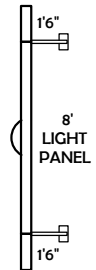
Perimeter	96'-5"	page 2 of 2
Surface Area	544.46 SF	
Volume	15150 gal	
Liner Sq. Ft.	648.0000 SF	

**ALL DIMENSIONS
ARE FINISH
DIMENSIONS**

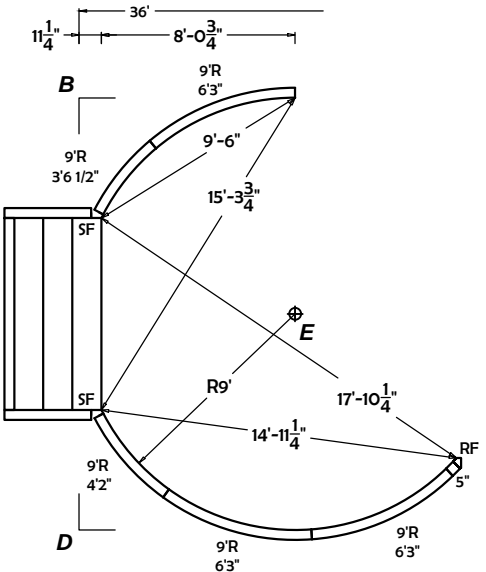
** see page A19 (full steel) & A20 (Nexus) for Straight Steel Stair Filler specifications
** see page A44 Steel Corner Filler specifications
** Coping Layouts are shown on pages A68 (Progressive) & A95 (CP2)



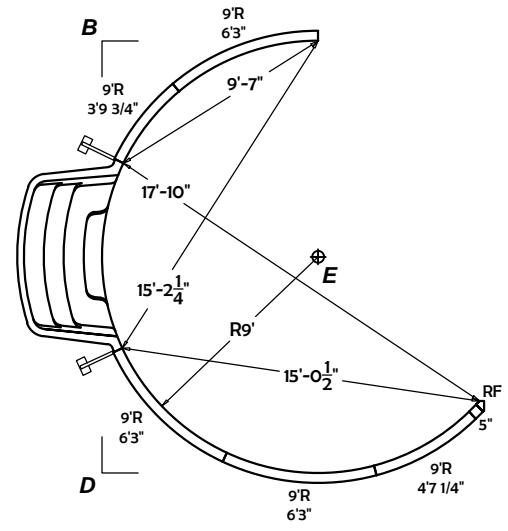
**CENTER LIGHT
PANEL OPTION**



8' STEEL STAIR OPTION



8' RADIUS PLASTIC STEP OPTION



* Nexus stair option is available using the identical panel layout

NO DIVING PERMITTED INTO THIS POOL

The bottom configuration shown conforms with current ISPSC & ANSI / APSP / ICC suggested minimum standards for pools NOT approved for diving.

WARNING: Swimming pools can be dangerous if used improperly. Consult your dealer for information on safe use. It's the responsibility of town officials, builders and homeowners to follow safety recommendations of APSP/ANSI, local ordinances & equipment manufacturers.

- All work not specifically shown here is to be done in accordance with the requirements of the 2018 INTERNATIONAL SWIMMING POOL & SPA CODE, APSP/ANSI/ICC-5 2011 STANDARDS FOR RESIDENTIAL INGROUND SWIMMING POOLS, and all other local building codes.
- Construction Drawing: Different methods and precautions may be dictated by various ground conditions. This is to be determined by and is the responsibility of the contractor who is not an agent of the manufacturer of the component parts.
- Depth and shape of the pool meet minimum standards of the 2018 INTERNATIONAL SWIMMING POOL & SPA CODE and the APSP/ANSI/ICC-5 2011 STANDARDS FOR RESIDENTIAL INGROUND SWIMMING POOLS.
- A means of entry & exit for the deep end & shallow end of the pool must be provided in accordance with 2018 INTERNATIONAL SWIMMING POOL & SPA CODE, section 809.
- Equipotential bonding must be provided in accordance with the NATIONAL ELECTRIC CODE, NFPA 70.
- All A-frame braces are to be contained within an 8" thick continuous poured concrete (2500 psi) perimeter collar.
- Backfill with clean earth, free of roots and debris.
- Finished bottom is to be 2" minimum of suitable material or undisturbed earth.
- 3' wide, 3" thick concrete deck is to be poured at a slope of 1/4" to 1' away from the pool. NO DIVING labels are to be installed around the perimeter of the pool.
- A safety line, with buoys, is to be permanently attached 1'0" to the shallow side of the point of first slope change.
- Suction entrapment avoidance to be installed in accordance with APSP/ANSI/ICC-7

18' x 36' Reverse View

Keyhole

Perimeter	96'-5"	page 1 of 2	No Stairs	8" Steel Stair	8" Plastic Step
Surface Area	544.46 SF				
Volume	15150 gal				
Liner Sq. Ft.	648.0000 SF				

ITEM #	PART DESCRIPTION	No Stairs	8" Steel Stair	8" Plastic Step
04101 / 05102	8' Plain Panel	3	3	3
04102 / 05104	8' Skimmer Panel - 1085	1	1	1
04103 / 05108	8' Return Panel	1	1	1
04249	5'9" Plain Panel	1	1	1
04248	4'4" Plain Panel	1	1	1
04113	3' Plain Panel	1	1	1
04126	1'6" Plain Panel			
04119	1' Plain Panel	1	1	1
04121	5" Plain Panel	1	1	1
04170	9' Radius Panel - 6'3"	4	3	2
04176	9' Radius Return - 6'3"	1	1	
04442	9' Radius Panel - 4'7 1/4"			1
04304	9' Radius Panel - 4'2"		1	
04175	9' Radius Panel - 3'9 3/4"	1	1	
04303	9' Radius Panel - 3'6 1/2"		1	
04116	2' Radius Corner Panel	2	2	2
04212	Roman End Filler	1	1	1
04215(U)	Left Roman Stair Filler	1		
04216(U)	Right Roman Stair Filler	1		
----	Adjustable A-Frame	8	8	10
04188B	8' Steel Stair	1		
07418RSNR	8' Radius Step-n-Rest			1
PAK-75	Nut & Bolt Pak - 75 pcs			
PAK-100	Nut & Bolt Pak - 100 pcs	2	2	2
04104 / 05109	8' Light Panel			

NO DIVING PERMITTED INTO THIS POOL

The bottom configuration shown conforms with current ISPS & ANSI / APSP / ICC suggested minimum standards for pools NOT approved for diving.

WARNING: Swimming pools can be dangerous if used improperly. Consult your dealer for information on safe use. It's the responsibility of town officials, builders and homeowners to follow safety recommendations of APSP/ANSI, local ordinances & equipment manufacturers.

- All work not specifically shown here is to be done in accordance with the requirements of the 2018 INTERNATIONAL SWIMMING POOL & SPA CODE, APSP/ANSI/ICC-5 2011 STANDARDS FOR RESIDENTIAL INGROUND SWIMMING POOLS, and all other local building codes.
- Construction Drawing: Different methods and precautions may be dictated by various ground conditions. This is to be determined by and is the responsibility of the contractor who is not an agent of the manufacturer of the component parts.
- Depth and shape of the pool meet minimum standards of the 2018 INTERNATIONAL SWIMMING POOL & SPA CODE and the APSP/ANSI/ICC-5 2011 STANDARDS FOR RESIDENTIAL INGROUND SWIMMING POOLS.
- A means of entry & exit for the deep end & shallow end of the pool must be provided in accordance with 2018 INTERNATIONAL SWIMMING POOL & SPA CODE, section 809.
- Equipotential bonding must be provided in accordance with the NATIONAL ELECTRIC CODE, NFPA 70.
- All A-frame braces are to be contained within an 8" thick continuous poured concrete (2500 psi) perimeter collar.
- Backfill with clean earth, free of roots and debris.
- Finished bottom is to be 2" minimum of suitable material or undisturbed earth.
- 3" wide, 3" thick concrete deck is to be poured at a slope of 1/4" to 1' away from the pool.
- NO DIVING labels are to be installed around the perimeter of the pool.
- A safety line, with buoys, is to be permanently attached 10' to the shallow side of the point of first slope change.
- Suction entrapment avoidance to be installed in accordance with APSP/ANSI/ICC-7

ALL DIMENSIONS ARE FINISH DIMENSIONS

** see page A19 (full steel) & A20 (Nexus) for Straight Steel Stair Filler specifications
 ** see page A44 Steel Corner Filler specifications
 ** Coping Layouts are shown on pages A68 (Progressive) & A95 (CP2)

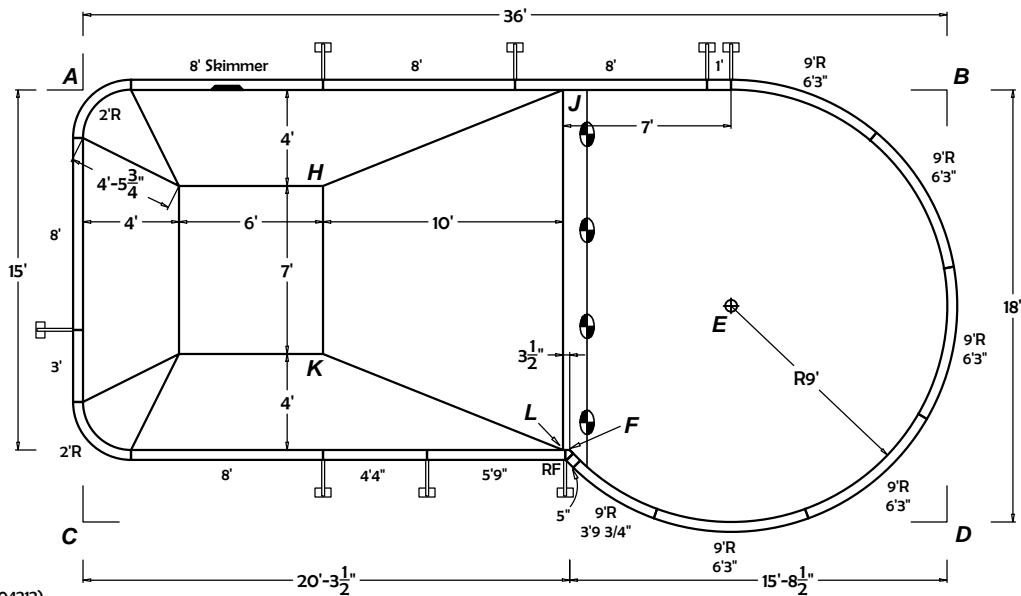
FROM A TO:	
D	40'-3"
E	28'-5 1/2"
F	25'-2 3/4"
H	10'-9 1/4"
J	20'
K	14'-10 1/2"
L	25'

FROM B TO:	
C	40'-3"
E	12'-8 3/4"
F	21'-8 3/4"
H	26'-3 3/4"
J	16'
K	28'-2 3/4"
L	21'-11 1/4"

FROM C TO:	
B	40'-3"
E	28'-5 1/2"
F	20'-6"
H	17'-2 1/2"
J	26'-11"
K	12'-2 1/2"
L	20'-2 3/4"

FROM D TO:	
A	40'-3"
E	12'-8 3/4"
F	16'
H	29'-6 1/4"
J	24'-1"
K	26'-11"
L	16'-3 1/4"

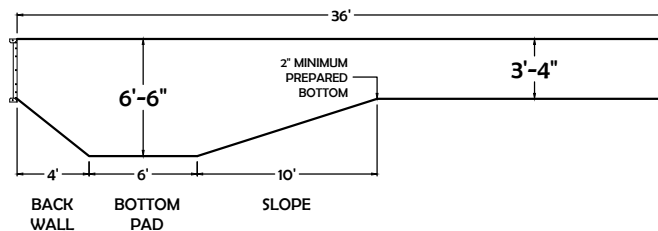
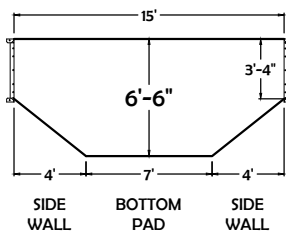
FROM E TO:	
F	9'-0 1/4"
H	17'-8 3/4"
J	11'-4 3/4"
K	17'-1 1/2"
L	9'-2 3/4"



 -- A-FRAME BRACE

RF--ROMAN END FILLER (04212)

SF--ROMAN STAIR FILLER (04215U / 04216U)



4'
4'

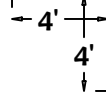
18' x 36' Reverse View

Keyhole

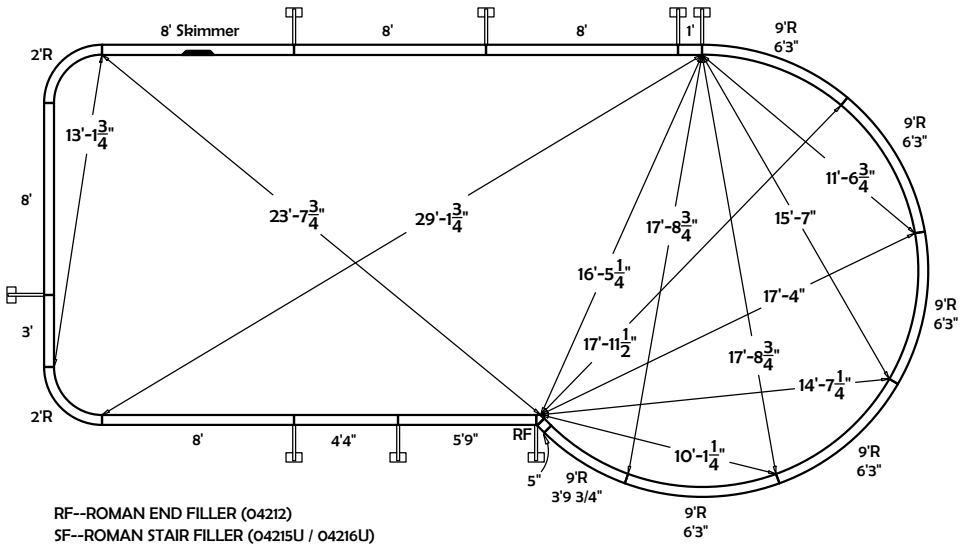
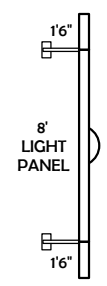
Perimeter	96'-5"	page 2 of 2
Surface Area	544.46 SF	
Volume	15150 gal	
Liner Sq. Ft.	648.0000 SF	

ALL DIMENSIONS ARE FINISH DIMENSIONS

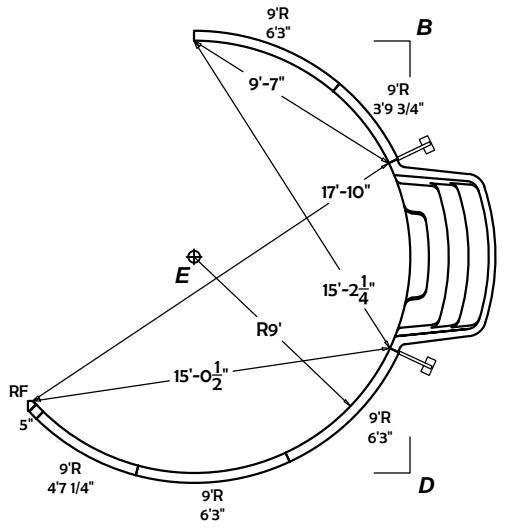
** see page A19 (full steel) & A20 (Nexus) for Straight Steel Stair Filler specifications
** see page A44 Steel Corner Filler specifications
** Coping Layouts are shown on pages A68 (Progressive) & A95 (CP2)



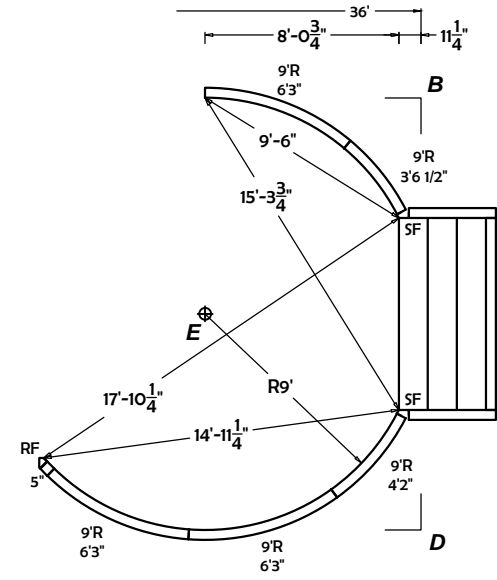
CENTER LIGHT PANEL OPTION



8' RADIUS PLASTIC STEP OPTION



8' STEEL STAIR OPTION



* Nexus stair option is available using the identical panel layout

NO DIVING PERMITTED INTO THIS POOL

The bottom configuration shown conforms with current ISPSC & ANSI / APSP / ICC suggested minimum standards for pools **NOT** approved for diving.

WARNING: Swimming pools can be dangerous if used improperly. Consult your dealer for information on safe use. It's the responsibility of town officials, builders and homeowners to follow safety recommendations of APSP/ANSI, local ordinances & equipment manufacturers.

- All work not specifically shown here is to be done in accordance with the requirements of the 2018 INTERNATIONAL SWIMMING POOL & SPA CODE, APSP/ANSI/ICC-5 2011 STANDARDS FOR RESIDENTIAL INGROUND SWIMMING POOLS, and all other local building codes.
- Construction Drawing: Different methods and precautions may be dictated by various ground conditions. This is to be determined by and is the responsibility of the contractor who is not an agent of the manufacturer of the component parts.
- Depth and shape of the pool meet minimum standards of the 2018 INTERNATIONAL SWIMMING POOL & SPA CODE and the APSP/ANSI/ICC-5 2011 STANDARDS FOR RESIDENTIAL INGROUND SWIMMING POOLS.
- A means of entry & exit for the deep end & shallow end of the pool must be provided in accordance with 2018 INTERNATIONAL SWIMMING POOL & SPA CODE, section 809.
- Equipotential bonding must be provided in accordance with the NATIONAL ELECTRIC CODE, NFPA 70.
- All A-frame braces are to be contained within an 8" thick continuous poured concrete (2500 psi) perimeter collar.
- Backfill with clean earth, free of roots and debris.
- Finished bottom is to be 2" minimum of suitable material or undisturbed earth.
- 3' wide, 3" thick concrete deck is to be poured at a slope of 1/4" to 1' away from the pool.
- NO DIVING labels are to be installed around the perimeter of the pool.
- A safety line, with buoys, is to be permanently attached 10' to the shallow side of the point of first slope change.
- Suction entrapment avoidance to be installed in accordance with APSP/ANSI/ICC-7

20' x 40' Standard View

Keyhole

Perimeter	107'-6"	page 1 of 2
Surface Area	680.14 SF	
Volume	21600 gal	
Liner Sq. Ft.	800.0000 SF	

ITEM #	PART DESCRIPTION	No Stairs	8" Steel Stair	8" Plastic Step
04101 / 05102	8' Plain Panel	2	2	2
04102 / 05104	8' Skimmer Panel - 1085	1	1	1
04103 / 05108	8' Return Panel	1	1	1
04105 / 05110	7' Plain Panel	1	1	1
04482	6'10" Plain Panel	2	2	2
04107	5' Plain Panel	1	1	1
04110	4' Plain Panel	1	1	1
04480	2'6" Plain Panel			
04159	10' Radius Panel - 6'3"	4	1	1
04160	10' Radius Return - 6'3"	1		1
04445	10' Radius Panel - 5'4"	3	2	
04308	10' Radius Panel - 5'1 3/4"	1		
04306	10' Radius Panel - 4'7 1/4"	1		1
04307	10' Radius Panel - 3'1 1/2"	1	1	1
04116	2' Radius Corner Panel	2	2	2
04212	Roman End Filler	1	1	1
04215(U)	Left Roman Stair Filler	1		
04216(U)	Right Roman Stair Filler	1		
----	Adjustable A-Frame	8	8	10
04188B	8' Steel Stair		1	
07418RSNR	8' Radius Step-n-Rest			1
PAK-75	Nut & Bolt Pak - 75 pcs			
PAK-100	Nut & Bolt Pak - 100 pcs	2	2	2
04104 / 05109	8' Light Panel			

DIVING PERMITTED ONLY FROM DESIGNATED DIVING AREA.
 The bottom configuration shown conforms with current ISPSC & ANSI / APSP / ICC suggested minimum standards for pools approved for use with manufactured diving equipment.

WARNING: Swimming pools can be dangerous if used improperly. Consult your dealer for information on safe use. It's the responsibility of town officials, builders and homeowners to follow safety recommendations of APSP/ANSI, local ordinances & equipment manufacturers.

- All work not specifically shown here is to be done in accordance with the requirements of the 2018 INTERNATIONAL SWIMMING POOL & SPA CODE, APSP/ANSI/ICC-5 2011 STANDARDS FOR RESIDENTIAL INGROUND SWIMMING POOLS, and all other local building codes.
- Construction Drawing: Different methods and precautions may be dictated by various ground conditions. This is to be determined by and is the responsibility of the contractor who is not an agent of the manufacturer of the component parts.
- Depth and shape of the pool meet minimum standards of the 2018 INTERNATIONAL SWIMMING POOL & SPA CODE and the APSP/ANSI/ICC-5 2011 STANDARDS FOR RESIDENTIAL INGROUND SWIMMING POOLS.
- A means of entry & exit for the deep end & shallow end of the pool must be provided in accordance with 2018 INTERNATIONAL SWIMMING POOL & SPA CODE, section 809.
- Equipotential bonding must be provided in accordance with the NATIONAL ELECTRIC CODE, NFPA 70.
- All A-frame braces are to be contained within an 8" thick continuous poured concrete (2500 psi) perimeter collar.
- Backfill with clean earth, free of roots and debris.
- Finished bottom is to be 2" minimum of suitable material or undisturbed earth.
- 3" wide, 3" thick concrete deck is to be poured at a slope of 1/4" to 1' away from the pool.
- NO DIVING labels are to be installed around the perimeter of the pool.
- A safety line, with buoys, is to be permanently attached 10' to the shallow side of the point of first slope change.
- Suction entrapment avoidance to be installed in accordance with APSP/ANSI/ICC-7

ALL DIMENSIONS ARE FINISH DIMENSIONS

** see page A19 (full steel) & A20 (Nexus) for Straight Steel Stair Filler specifications
 ** see page A44 Steel Corner Filler specifications
 ** Coping Layouts are shown on pages A69 (Progressive) & A96 (CP2)

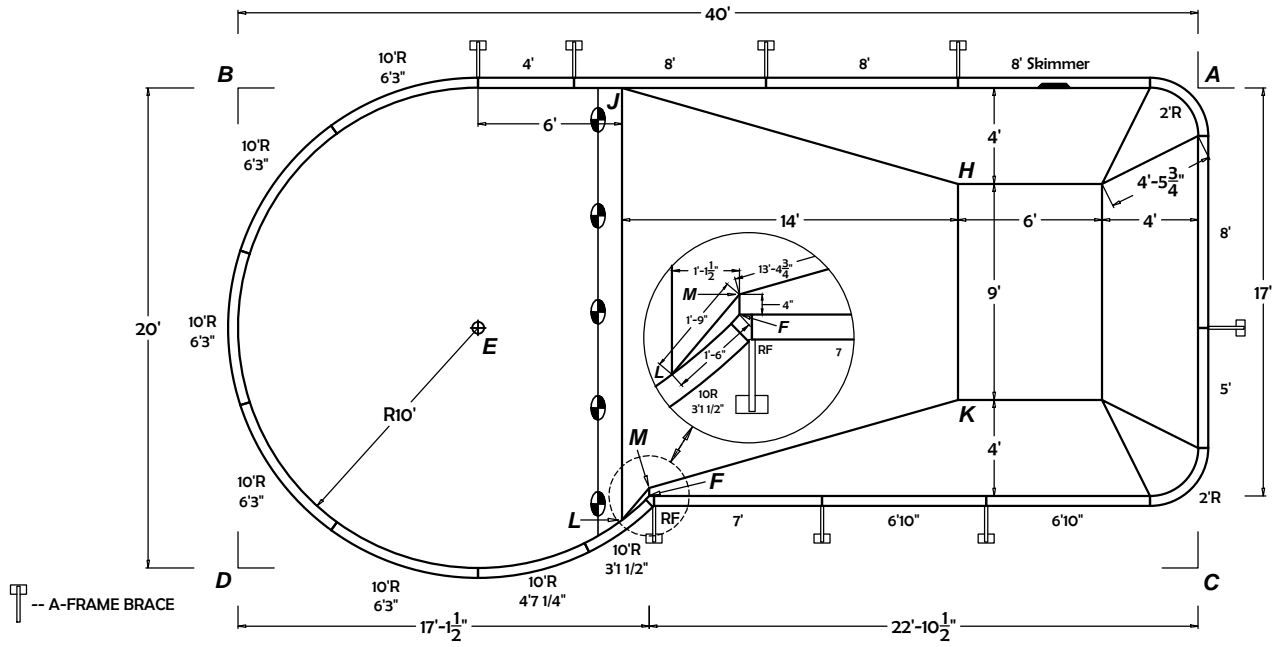
FROM A TO:	
D	44'-8 3/4"
E	31'-7 1/2"
F	28'-6"
H	10'-9 1/4"
J	24'
K	16'-4 3/4"
L	30'
M	28'-3 3/4"

FROM B TO:	
C	44'-8 3/4"
E	14'-1 3/4"
F	24'-1 1/2"
H	30'-3 1/4"
J	16'
K	32'-8 1/4"
L	24'-1"
M	23'-10 3/4"

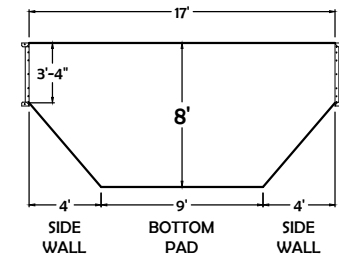
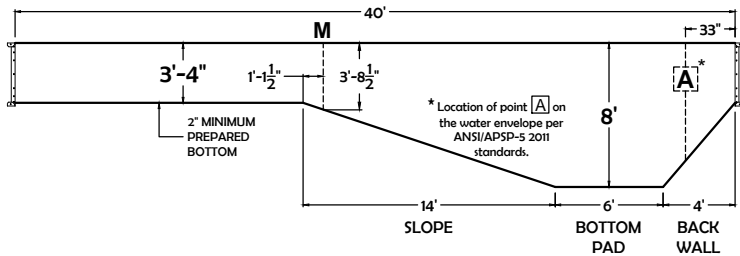
FROM C TO:	
B	44'-8 3/4"
E	31'-7 1/2"
F	23'-0 3/4"
H	18'-10 1/2"
J	31'-3"
K	12'-2 1/2"
L	24'-1"
M	23'-1 1/2"

FROM D TO:	
A	44'-8 3/4"
E	14'-1 3/4"
F	17'-4 3/4"
H	34'
J	25'-7 1/4"
K	30'-9 3/4"
L	16'-1 1/2"
M	17'-5 1/4"

FROM E TO:	
F	9'-11 3/4"
H	20'-10 1/2"
J	11'-8"
K	20'-2 3/4"
L	10'
M	9'-9"



RF--ROMAN END FILLER (04212)
 SF--ROMAN STAIR FILLER (04215U / 04216U)



20' x 40' Standard View

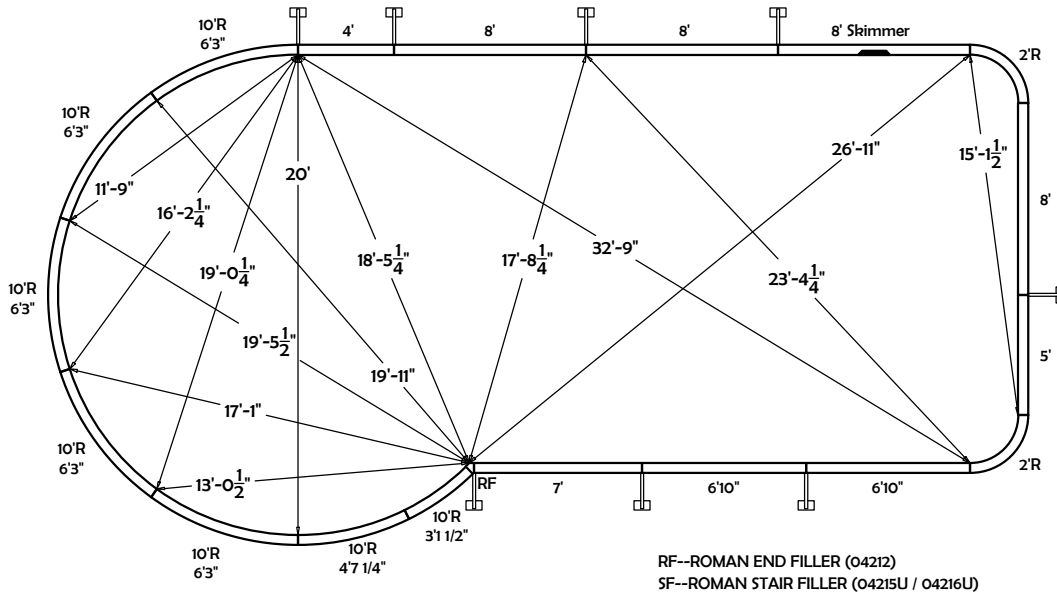
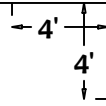
Keyhole

Perimeter	107'-6"	page
Surface Area	680.14 SF	
Volume	21600 gal	
Liner Sq. Ft.	800.0000 SF	

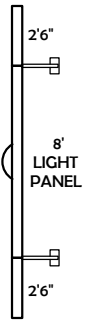
2 of 2

ALL DIMENSIONS ARE FINISH DIMENSIONS

** see page A19 (full steel) & A20 (Nexus) for Straight Steel Stair Filler specifications
 ** see page A44 Steel Corner Filler specifications
 ** Coping Layouts are shown on pages A69 (Progressive) & A96 (CP2)

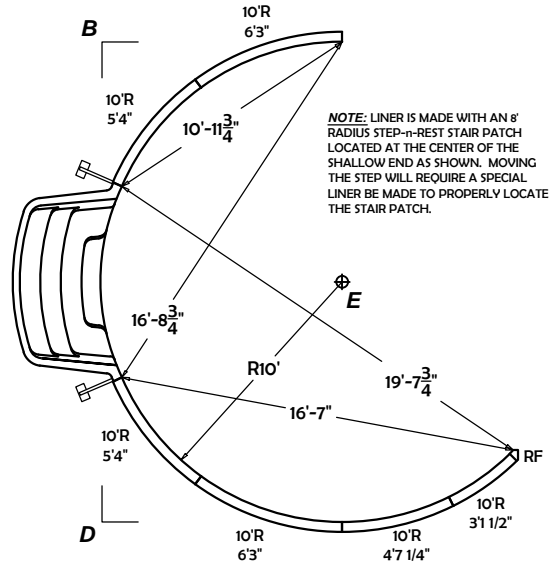
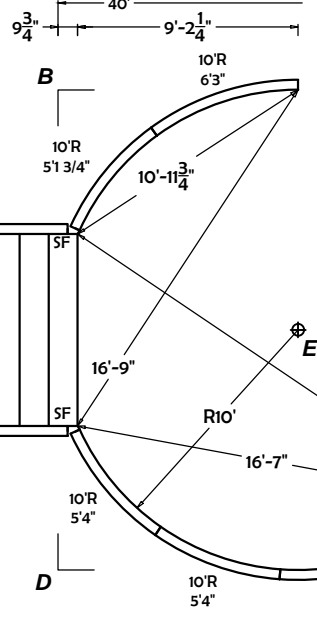


CENTER LIGHT PANEL OPTION



8' STEEL STAIR OPTION

8' RADIUS PLASTIC STEP OPTION



NOTE: LINER IS MADE WITH AN 8' RADIUS STEP-IN-REST STAIR PATCH LOCATED AT THE CENTER OF THE SHALLOW END AS SHOWN. MOVING THE STEP WILL REQUIRE A SPECIAL LINER BE MADE TO PROPERLY LOCATE THE STAIR PATCH.

* Nexus stair option is available using the identical panel layout

DIVING PERMITTED ONLY FROM DESIGNATED DIVING AREA.
 The bottom configuration shown conforms with current ISPSC & ANSI / APSP / ICC suggested minimum standards for pools approved for use with manufactured diving equipment.

WARNING: Swimming pools can be dangerous if used improperly. Consult your dealer for information on safe use. It's the responsibility of town officials, builders and homeowners to follow safety recommendations of APSP/ANSI, local ordinances & equipment manufacturers.

1. All work not specifically shown here is to be done in accordance with the requirements of the 2018 INTERNATIONAL SWIMMING POOL & SPA CODE, APSP/ANSI/ICC-5 2011 STANDARDS FOR RESIDENTIAL INGROUND SWIMMING POOLS, and all other local building codes.
2. Construction Drawing: Different methods and precautions may be dictated by various ground conditions. This is to be determined by and is the responsibility of the contractor who is not an agent of the manufacturer of the component parts.
3. Depth and shape of the pool meet minimum standards of the 2018 INTERNATIONAL SWIMMING POOL & SPA CODE and the APSP/ANSI/ICC-5 2011 STANDARDS FOR RESIDENTIAL INGROUND SWIMMING POOLS.
4. A means of entry & exit for the deep end & shallow end of the pool must be provided in accordance with 2018 INTERNATIONAL SWIMMING POOL & SPA CODE, section 809.
5. Equipotential bonding must be provided in accordance with the NATIONAL ELECTRIC CODE, NFPA 70.
6. All A-frame braces are to be contained within an 8" thick continuous poured concrete (2500 psi) perimeter collar.
7. Backfill with clean earth, free of roots and debris.
8. Finished bottom is to be 2" minimum of suitable material or undisturbed earth.
9. 3" wide, 3" thick concrete deck is to be poured at a slope of 1/8" to 1' away from the pool.
10. NO DIVING labels are to be installed around the perimeter of the pool.
11. A safety line, with buoys, is to be permanently attached 10' to the shallow side of the point of first slope change.
12. Suction entrapment avoidance to be installed in accordance with APSP/ANSI/ICC-7

20' x 40' Reverse View

Keyhole

Perimeter	107'-6"	page 1 of 2
Surface Area	680.14 SF	
Volume	21600 gal	
Liner Sq. Ft.	800.0000 SF	

ITEM #	PART DESCRIPTION	No Stairs	8" Steel Stair	8" Plastic Step
04101 / 05102	8' Plain Panel	2	2	2
04102 / 05104	8' Skimmer Panel - 1085	1	1	1
04103 / 05108	8' Return Panel	1	1	1
04105 / 05110	7' Plain Panel	1	1	1
04482	6'10" Plain Panel	2	2	2
04107	5' Plain Panel	1	1	1
04110	4' Plain Panel	1	1	1
04480	2'6" Plain Panel			
04159	10' Radius Panel - 6'3"	4	1	1
04160	10' Radius Return - 6'3"	1		1
04445	10' Radius Panel - 5'4"	3	2	
04308	10' Radius Panel - 5'1 3/4"	1		
04306	10' Radius Panel - 4'7 1/4"	1		1
04307	10' Radius Panel - 3'1 1/2"	1	1	1
04116	2' Radius Corner Panel	2	2	2
04212	Roman End Filler	1	1	1
04215(U)	Left Roman Stair Filler	1		
04216(U)	Right Roman Stair Filler	1		
----	Adjustable A-Frame	8	8	10
04188B	8' Steel Stair	1		
07418RSNR	8' Radius Step-n-Rest			1
PAK-75	Nut & Bolt Pak - 75 pcs			
PAK-100	Nut & Bolt Pak - 100 pcs	2	2	2
04104 / 05109	8' Light Panel			

DIVING PERMITTED ONLY FROM DESIGNATED DIVING AREA.
 The bottom configuration shown conforms with current ISPSC & ANSI / APSP / ICC suggested minimum standards for pools approved for use with manufactured diving equipment.

WARNING: Swimming pools can be dangerous if used improperly. Consult your dealer for information on safe use. It's the responsibility of town officials, builders and homeowners to follow safety recommendations of APSP/ANSI, local ordinances & equipment manufacturers.

- All work not specifically shown here is to be done in accordance with the requirements of the 2018 INTERNATIONAL SWIMMING POOL & SPA CODE, APSP/ANSI/ICC-5 2011 STANDARDS FOR RESIDENTIAL INGROUND SWIMMING POOLS, and all other local building codes.
- Construction Drawing: Different methods and precautions may be dictated by various ground conditions. This is to be determined by and is the responsibility of the contractor who is not an agent of the manufacturer of the component parts.
- Depth and shape of the pool meet minimum standards of the 2018 INTERNATIONAL SWIMMING POOL & SPA CODE and the APSP/ANSI/ICC-5 2011 STANDARDS FOR RESIDENTIAL INGROUND SWIMMING POOLS.
- A means of entry & exit for the deep end & shallow end of the pool must be provided in accordance with 2018 INTERNATIONAL SWIMMING POOL & SPA CODE, section 809.
- Equipotential bonding must be provided in accordance with the NATIONAL ELECTRIC CODE, NFPA 70.
- All A-frame braces are to be contained within an 8" thick continuous poured concrete (2500 psi) perimeter collar.
- Backfill with clean earth, free of roots and debris.
- Finished bottom is to be 2" minimum of suitable material or undisturbed earth.
- 3" wide, 3" thick concrete deck is to be poured at a slope of 1/4" to 1' away from the pool.
- NO DIVING labels are to be installed around the perimeter of the pool.
- A safety line, with buoys, is to be permanently attached 10' to the shallow side of the point of first slope change.
- Suction entrapment avoidance to be installed in accordance with APSP/ANSI/ICC-7

ALL DIMENSIONS ARE FINISH DIMENSIONS

** see page A19 (full steel) & A20 (Nexus) for Straight Steel Stair Filler specifications
 ** see page A44 Steel Corner Filler specifications
 ** Coping Layouts are shown on pages A69 (Progressive) & A96 (CP2)

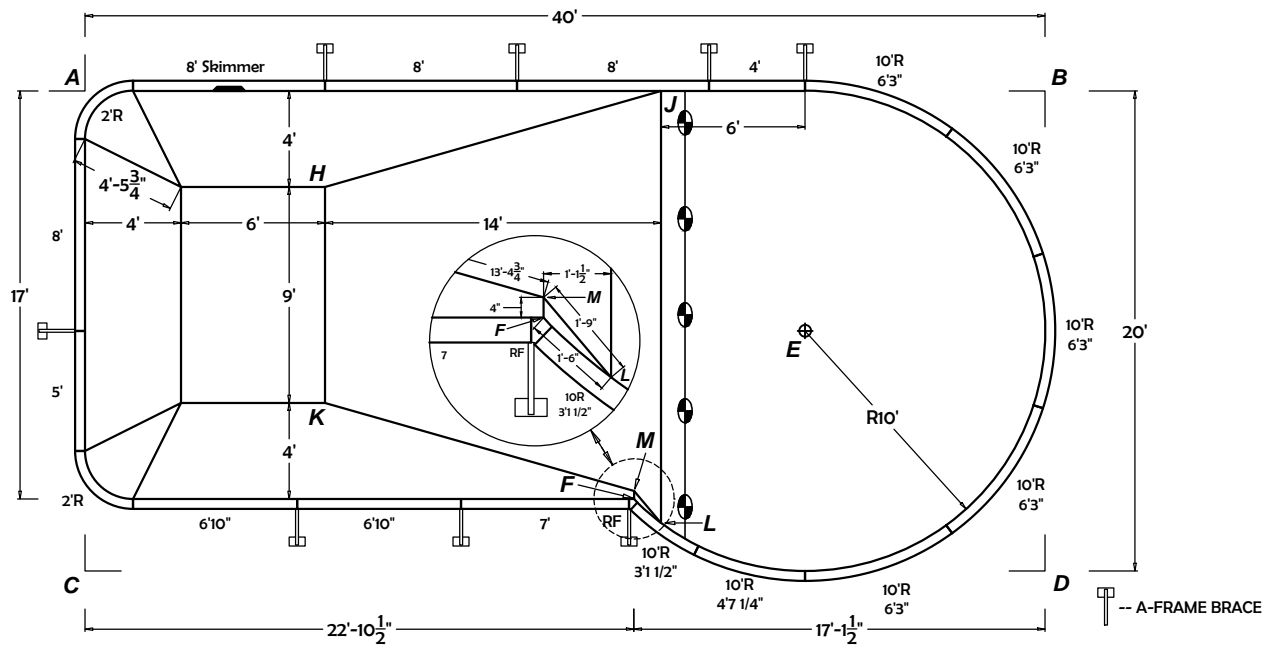
FROM A TO:	
D	44'-8 3/4"
E	31'-7 1/2"
F	28'-6"
H	10'-9 1/4"
J	24'
K	16'-4 3/4"
L	30'
M	28'-3 3/4"

FROM B TO:	
C	44'-8 3/4"
E	14'-1 3/4"
F	24'-1 1/2"
H	30'-3 1/4"
J	16'
K	32'-8 1/4"
L	24'-1"
M	23'-10 3/4"

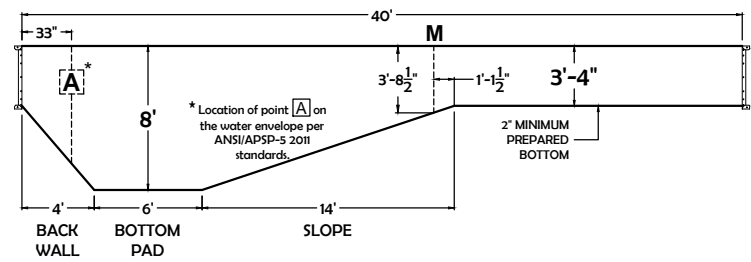
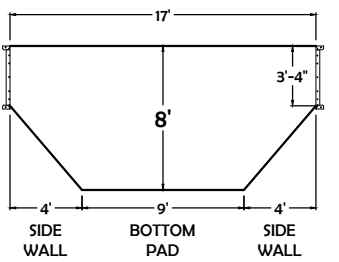
FROM C TO:	
B	44'-8 3/4"
E	31'-7 1/2"
F	23'-0 3/4"
H	18'-10 1/2"
J	31'-3"
K	12'-2 1/2"
L	24'-1"
M	23'-1 1/2"

FROM D TO:	
A	44'-8 3/4"
E	14'-1 3/4"
F	17'-4 3/4"
H	34'
J	25'-7 1/4"
K	30'-9 3/4"
L	16'-1 1/2"
M	17'-5 1/4"

FROM E TO:	
F	9'-11 3/4"
H	20'-10 1/2"
J	11'-8"
K	20'-2 3/4"
L	10'
M	9'-9"



RF--ROMAN END FILLER (04212)
 SF--ROMAN STAIR FILLER (04215U / 04216U)



SIDE WALL BOTTOM PAD SIDE WALL

BACK WALL BOTTOM PAD SLOPE

* Location of point A on the water envelope per ANSI/APSP-5 2011 standards.

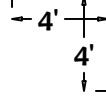
2" MINIMUM PREPARED BOTTOM

20' x 40' Reverse View Keyhole

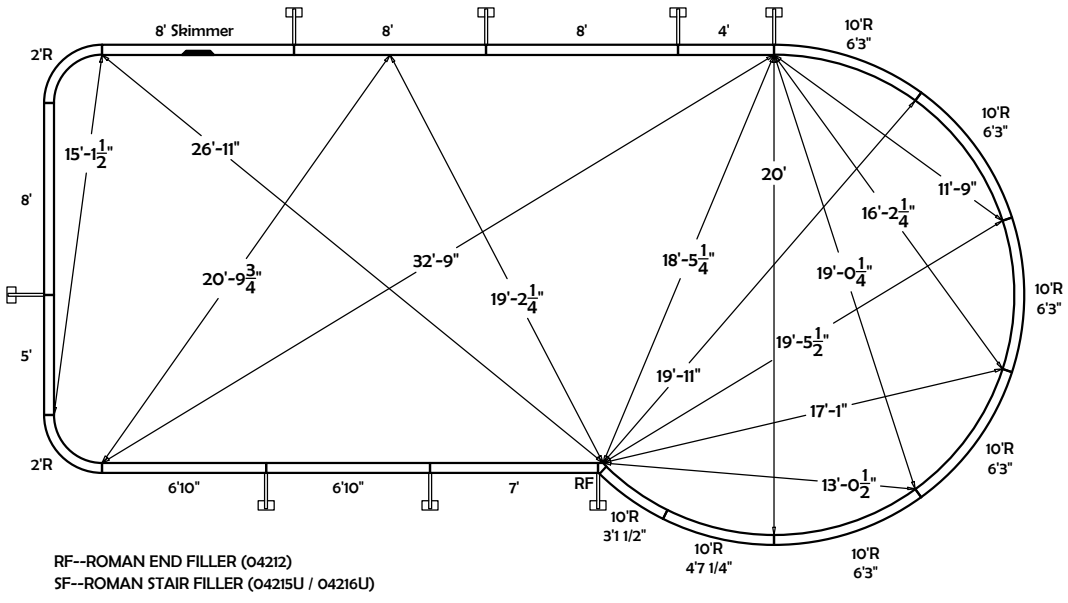
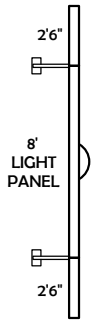
Perimeter	107'-6"	page 2 of 2
Surface Area	680.14 SF	
Volume	21600 gal	
Liner Sq. Ft.	800.0000 SF	

**ALL DIMENSIONS
ARE FINISH
DIMENSIONS**

** see page A19 (full steel) & A20 (Nexus) for Straight Steel Stair Filler specifications
** see page A44 Steel Corner Filler specifications
** Coping Layouts are shown on pages A69 (Progressive) & A96 (CP2)

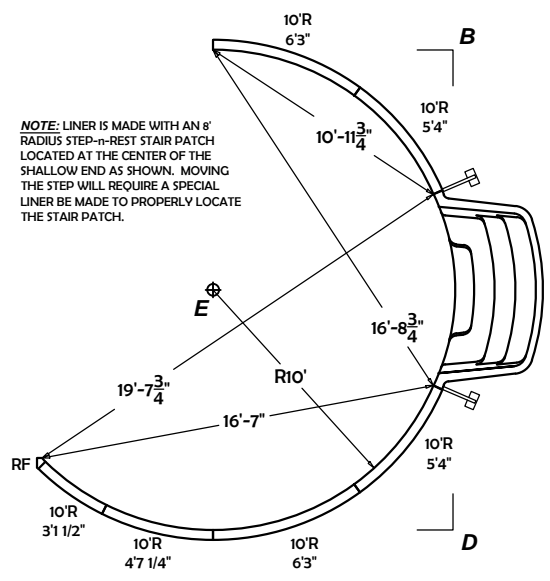


**CENTER LIGHT
PANEL OPTION**



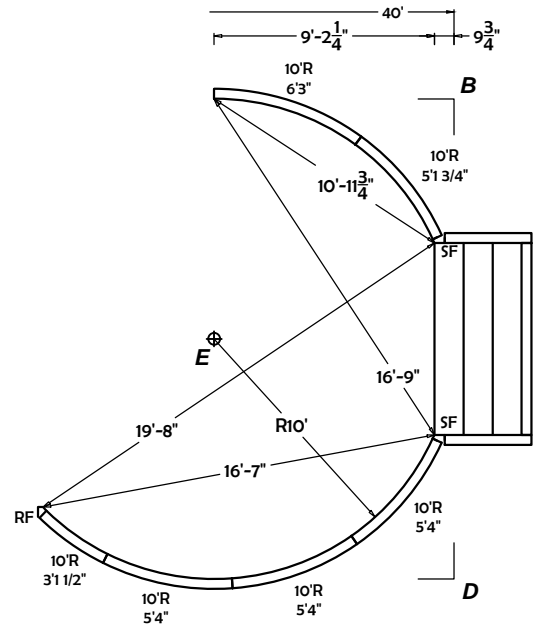
RF--ROMAN END FILLER (O4212)
SF--ROMAN STAIR FILLER (O4215U / O4216U)

8' RADIUS PLASTIC STEP OPTION



NOTE: LINER IS MADE WITH AN 8' RADIUS STEP--REST STAIR PATCH LOCATED AT THE CENTER OF THE SHALLOW END AS SHOWN. MOVING THE STEP WILL REQUIRE A SPECIAL LINER BE MADE TO PROPERLY LOCATE THE STAIR PATCH.

8' STEEL STAIR OPTION



* Nexus stair option is available using the identical panel layout

DIVING PERMITTED ONLY FROM DESIGNATED DIVING AREA.
The bottom configuration shown conforms with current ISPSC & ANSI / APSP / ICC suggested minimum standards for pools approved for use with manufactured diving equipment.

WARNING: Swimming pools can be dangerous if used improperly. Consult your dealer for information on safe use. It's the responsibility of town officials, builders and homeowners to follow safety recommendations of APSP/ANSI, local ordinances & equipment manufacturers.

- All work not specifically shown here is to be done in accordance with the requirements of the 2018 INTERNATIONAL SWIMMING POOL & SPA CODE, APSP/ANSI/ICC-5 2011 STANDARDS FOR RESIDENTIAL INGROUND SWIMMING POOLS, and all other local building codes.
- Construction Drawing: Different methods and precautions may be dictated by various ground conditions. This is to be determined by and is the responsibility of the contractor who is not an agent of the manufacturer of the component parts.
- Depth and shape of the pool meet minimum standards of the 2018 INTERNATIONAL SWIMMING POOL & SPA CODE and the APSP/ANSI/ICC-5 2011 STANDARDS FOR RESIDENTIAL INGROUND SWIMMING POOLS.
- A means of entry & exit for the deep end & shallow end of the pool must be provided in accordance with 2018 INTERNATIONAL SWIMMING POOL & SPA CODE, section 809.
- Equipotential bonding must be provided in accordance with the NATIONAL ELECTRIC CODE, NFPA 70.
- All A-frame braces are to be contained within an 8" thick continuous poured concrete (2500 psi) perimeter collar.
- Backfill with clean earth, free of roots and debris.
- Finished bottom is to be 2" minimum of suitable material or undisturbed earth.
- 3" wide, 3" thick concrete deck is to be poured at a slope of 1/8" to 1' away from the pool. NO DIVING labels are to be installed around the perimeter of the pool.
- A safety line, with buoys, is to be permanently attached 10' to the shallow side of the point of first slope change.
- Suction entrapment avoidance to be installed in accordance with APSP/ANSI/ICC-7

15' x 26' Left Kidney

Perimeter	67'	page 1 of 2	No Stairs	6'R x 12'W Stair	6'R Plastic Step
Surface Area	302.12 SF				
Volume	8650 gal				
Liner Sq. Ft.	357.0000 SF				
ITEM #	PART DESCRIPTION				
04432	20' Radius Panel - 6'3"	2	2	2	
04431	20' Radius Skimmer - 6'3"	1	1	1	
04434	7' Radius Panel - 6'3"	2	2	2	
04433	7' Radius Return - 6'3"	1	1	1	
04435	7' Radius Panel - 4'2"	1	1	1	
04437	6' Radius Panel - 6'3"	2		1	
04439	6' Radius Return - 6'3"	1		1	
04474	6' Radius Panel - 1'11"		2		
04436	6' Reverse Radius - 6'3"	1	1	1	
----	Adjustable A-Frame	6	6	6	
04021B	6'R x 12'W Steel Stair		1		
07416R5NR	6' Radius Step-n-Rest			1	
PAK-75	Nut & Bolt Pak - 75 pcs	2	2	2	
PAK-100	Nut & Bolt Pak - 100 pcs				
04430	20' Radius Light - 6'3"				

**ALL DIMENSIONS
ARE FINISH
DIMENSIONS**

** see page A5 (full steel) & A6 (Nexus) for Radius
Inside Steel Stair Filler specifications
** Coping Layouts are shown on
pages A69 (Progressive) & A96 (CP2)

FROM A TO:	
D	29'-7 1/2"
E	10'-8"
F	21'-1 1/4"
G	23'-7 1/2"
H	7'-11 1/2"
H1	7'-0 1/2"
J	16'
K	13'-11 1/4"
K1	16'-7 1/4"
L	20'-8 1/4"
M	25'-8 3/4"
N	23'-4 3/4"
S	8'-0 3/4"
T	26'-9"

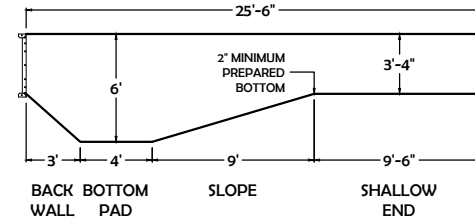
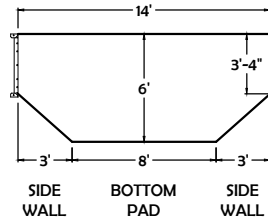
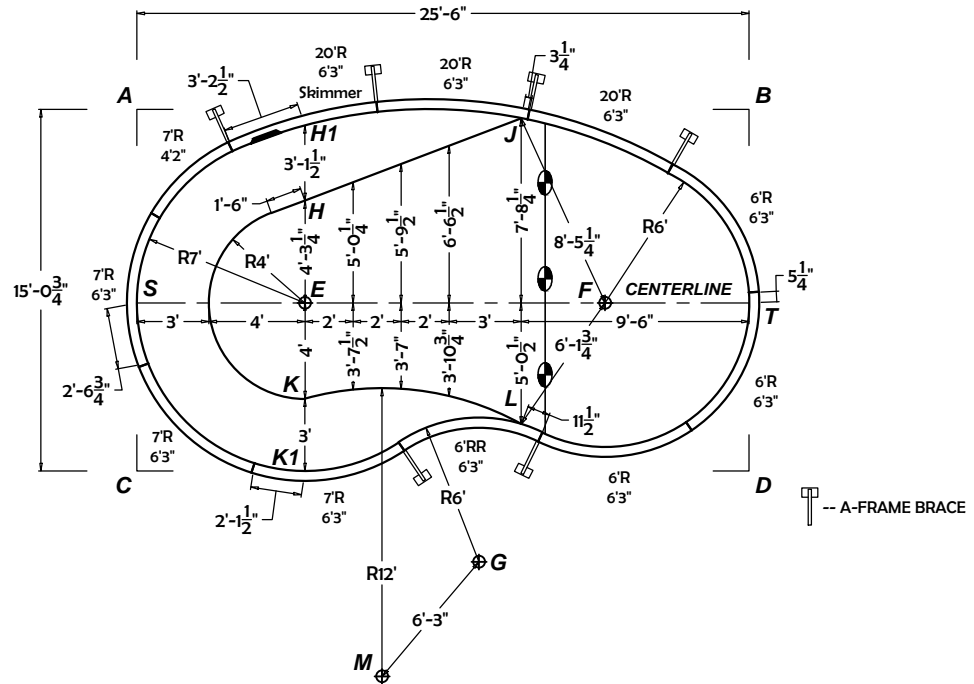
FROM B TO:	
C	29'-7 1/2"
E	20'-2 1/4"
F	10'-0 1/2"
G	21'-11 1/2"
H	18'-10 3/4"
H1	18'-6 1/4"
J	9'-6 1/4"
K	22'-1"
K1	23'-10 1/4"
L	16'-2 1/4"
M	28'-1 3/4"
N	24'-0 1/2"
S	26'-9"
T	8'-0 3/4"

FROM C TO:	
B	29'-7 1/2"
E	9'-10 3/4"
F	20'-8 3/4"
G	14'-9"
H	13'-3"
H1	16'
J	21'-8 1/2"
K	7'-7 1/2"
K1	7
L	16'-1 1/2"
M	13'-4"
N	13'-1 1/2"
S	7
T	26'-5 1/4"

FROM D TO:	
A	29'-7 1/2"
E	19'-9 1/2"
F	9'-2 3/4"
G	11'-10 1/2"
H	21'-8"
H1	23'-5 1/4"
J	17'-6"
K	18'-9"
K1	18'-6"
L	9'-8 1/2"
M	17'-6 1/4"
N	14'-2 3/4"
S	26'-5 1/4"
T	7

FROM S TO:	
E	7
F	19'-6"
G	17'-10 1/2"
H	8'-2 1/4"
H1	10'-2"
J	17'-9"
K	8'-0 3/4"
K1	9'-10 3/4"
L	16'-9 1/4"
M	18'-7 1/4"
N	17'-0 1/2"
T	25'-6"

FROM T TO:	
E	18'-6"
F	6'
G	15'-7"
H	18'-11 3/4"
H1	19'-11"
J	12'-2 3/4"
K	18'-11 1/4"
K1	19'-9 1/2"
L	10'-9 1/4"
M	21'-9 3/4"
N	17'-11"
S	25'-6"



NO DIVING PERMITTED INTO THIS POOL
The bottom configuration shown conforms with current ISPSC & ANSI / APSP / ICC suggested minimum standards for pools NOT approved for diving.

WARNING: Swimming pools can be dangerous if used improperly. Consult your dealer for information on safe use. It's the responsibility of town officials, builders and homeowners to follow safety recommendations of APSP/ANSI, local ordinances & equipment manufacturers.

- All work not specifically shown here is to be done in accordance with the requirements of the 2018 INTERNATIONAL SWIMMING POOL & SPA CODE, APSP/ANSI/ICC-5 2011 STANDARDS FOR RESIDENTIAL INGROUND SWIMMING POOLS, and all other local building codes.
- Construction Drawing: Different methods and precautions may be dictated by various ground conditions. This is to be determined by and is the responsibility of the contractor who is not an agent of the manufacturer of the component parts.
- Depth and shape of the pool meet minimum standards of the 2018 INTERNATIONAL SWIMMING POOL & SPA CODE and the APSP/ANSI/ICC-5 2011 STANDARDS FOR RESIDENTIAL INGROUND SWIMMING POOLS.
- A means of entry & exit for the deep end & shallow end of the pool must be provided in accordance with 2018 INTERNATIONAL SWIMMING POOL & SPA CODE, section 809.
- Equipotential bonding must be provided in accordance with the NATIONAL ELECTRIC CODE, NFPA 70.
- All A-frame braces are to be contained within an 8" thick continuous poured concrete (2500 psi) perimeter collar.
- Backfill with clean earth, free of roots and debris.
- Finished bottom is to be 2" minimum of suitable material or undisturbed earth.
- 3' wide, 3" thick concrete deck is to be poured at a slope of 1/4" to 1' away from the pool.
- NO DIVING labels are to be installed around the perimeter of the pool.
- A safety line, with buoys, is to be permanently attached 10' to the shallow side of the point of first slope change.
- Suction entrapment avoidance to be installed in accordance with APSP/ANSI/ICC-7



15' x 26' Left Kidney

ALL DIMENSIONS
ARE FINISH
DIMENSIONS

** see page A5 (full steel) & A6 (Nexus) for Radius
Inside Steel Stair Filler specifications
** Coping Layouts are shown on
pages A69 (Progressive) & A96 (CP2)

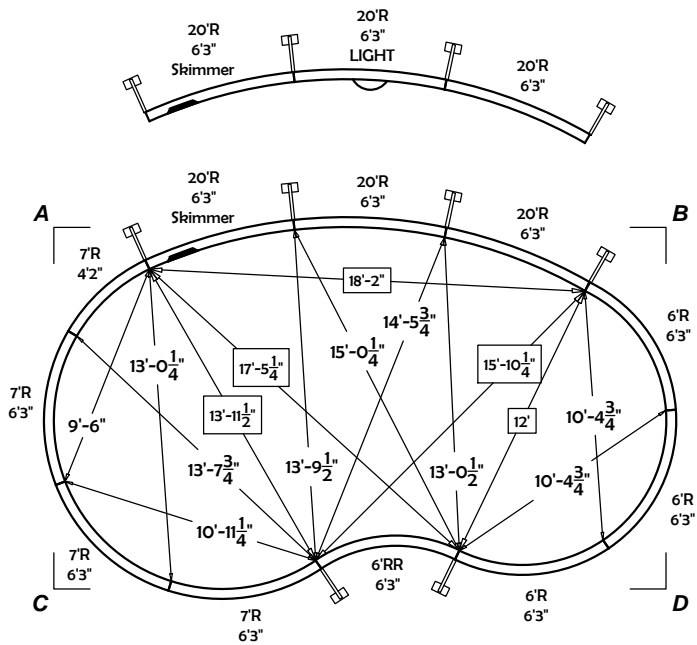
4'
4'

Perimeter	67'	page 2 of 2
Surface Area	302.12 SF	
Volume	8650 gal	
Liner Sq. Ft.	357.0000 SF	

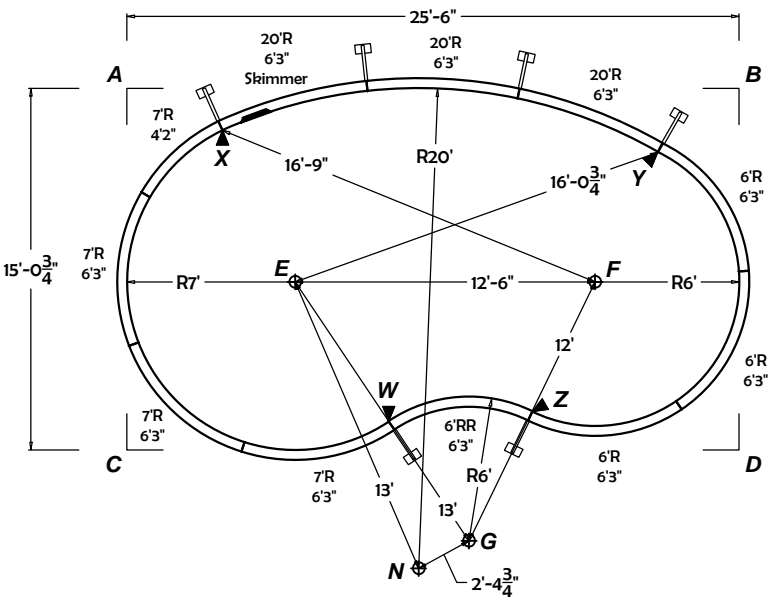
FROM A TO:	FROM B TO:	FROM C TO:	FROM D TO:
E 10'-8"	E 20'-2 1/4"	E 9'-10 3/4"	E 19'-9 1/2"
F 21'-1 1/4"	F 10'-0 1/2"	F 20'-8 3/4"	F 9'-2 3/4"
G 23'-7 1/2"	G 21'-11 1/2"	G 14'-9"	G 11'-10 1/2"
N 23'-4 3/4"	N 24'-0 1/2"	N 13'-1 1/2"	N 14'-2 3/4"
W 17'-7 3/4"	W 20'-1 3/4"	W 10'-11 3/4"	W 14'-7 3/4"
X 4'-4 1/4"	X 21'-7 1/4"	X 13'-10 3/4"	X 25'-3 3/4"
Y 22'-3 1/4"	Y 4'-3 3/4"	Y 25'-4 1/4"	Y 12'-10 1/4"
Z 21'-7 1/4"	Z 15'-11 3/4"	Z 16'-11 1/2"	Z 8'-9"

A to D	29'-7 1/2"
B to C	

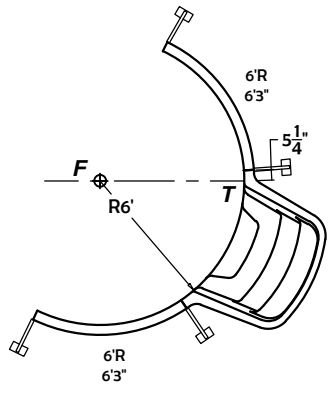
LIGHT PANEL OPTION



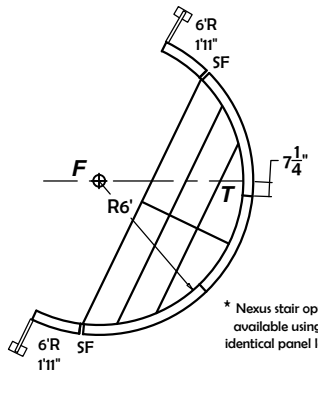
-- A-FRAME BRACE



6' RADIUS PLASTIC STEP OPTION



6'R x 12'W STEEL STAIR OPTION



* Nexus stair option is available using the identical panel layout

SF--FREE FORM STAIR FILLER (O4487U)

NO DIVING PERMITTED INTO THIS POOL

The bottom configuration shown conforms with current ISPS & ANSI / APSP / ICC suggested minimum standards for pools NOT approved for diving.

WARNING: Swimming pools can be dangerous if used improperly. Consult your dealer for information on safe use. It's the responsibility of town officials, builders and homeowners to follow safety recommendations of APSP/ANSI, local ordinances & equipment manufacturers.

- All work not specifically shown here is to be done in accordance with the requirements of the 2018 INTERNATIONAL SWIMMING POOL & SPA CODE, APSP/ANSI/ICC-5 2011 STANDARDS FOR RESIDENTIAL INGROUND SWIMMING POOLS, and all other local building codes.
- Construction Drawing: Different methods and precautions may be dictated by various ground conditions. This is to be determined by and is the responsibility of the contractor who is not an agent of the manufacturer of the component parts.
- Depth and shape of the pool meet minimum standards of the 2018 INTERNATIONAL SWIMMING POOL & SPA CODE and the APSP/ANSI/ICC-5 2011 STANDARDS FOR RESIDENTIAL INGROUND SWIMMING POOLS.
- A means of entry & exit for the deep end & shallow end of the pool must be provided in accordance with 2018 INTERNATIONAL SWIMMING POOL & SPA CODE, section 809.
- Equipotential bonding must be provided in accordance with the NATIONAL ELECTRIC CODE, NFPA 70.
- All A-frame braces are to be contained within an 8" thick continuous poured concrete (2500 psi) perimeter collar.
- Backfill with clean earth, free of roots and debris.
- Finished bottom is to be 2" minimum of suitable material or undisturbed earth.
- 3' wide, 3" thick concrete deck is to be poured at a slope of 1/4" to 1' away from the pool.
- NO DIVING labels are to be installed around the perimeter of the pool.
- A safety line, with buoys, is to be permanently attached 10' to the shallow side of the point of first slope change.
- Suction entrapment avoidance to be installed in accordance with APSP/ANSI/ICC-7

15' x 26' Right Kidney

Perimeter	67'	page 1 of 2	No Stairs	6'R x 12'W Stair	6'R Plastic Step
Surface Area	302.12 SF				
Volume	8650 gal				
Liner Sq. Ft.	357.0000 SF				
ITEM #	PART DESCRIPTION				
04432	20' Radius Panel - 6'3"	2	2	2	
04431	20' Radius Skimmer - 6'3"	1	1	1	
04434	7' Radius Panel - 6'3"	2	2	2	
04433	7' Radius Return - 6'3"	1	1	1	
04435	7' Radius Panel - 4'2"	1	1	1	
04437	6' Radius Panel - 6'3"	2		1	
04439	6' Radius Return - 6'3"	1		1	
04474	6' Radius Panel - 1'11"		2		
04436	6' Reverse Radius - 6'3"	1	1	1	
----	Adjustable A-Frame	6	6	6	
04021B	6'R x 12'W Steel Stair		1		
07416RSNR	6' Radius Step-n-Rest			1	
PAK-75	Nut & Bolt Pak - 75 pcs	2	2	2	
PAK-100	Nut & Bolt Pak - 100 pcs				
04430	20' Radius Light - 6'3"				

ALL DIMENSIONS ARE FINISH DIMENSIONS

** see page A5 (full steel) & A6 (Nexus) for Radius
Inside Steel Stair Filler specifications
** Coping Layouts are shown on
pages A69 (Progressive) & A96 (CP2)

FROM A TO:	
D	29'-7 1/2"
E	10'-8"
F	21'-1 1/4"
G	23'-7 1/2"
H	7'-11 1/2"
H1	7'-0 1/2"
J	16'
K	13'-11 1/4"
K1	16'-7 1/4"
L	20'-8 1/4"
M	25'-8 3/4"
N	23'-4 3/4"
S	8'-0 3/4"
T	26'-9"

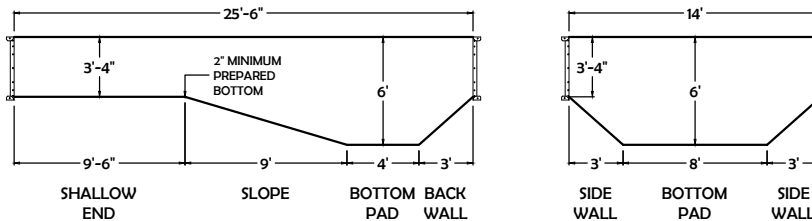
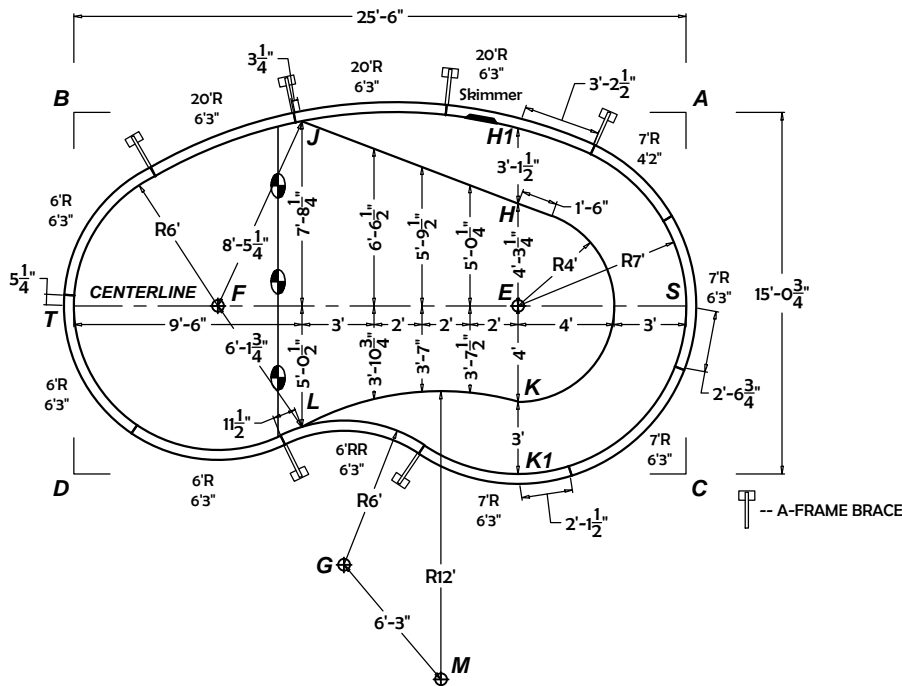
FROM B TO:	
C	29'-7 1/2"
E	20'-2 1/4"
F	10'-0 1/2"
G	21'-11 1/2"
H	18'-10 3/4"
H1	18'-6 1/4"
J	9'-6 1/4"
K	22'-1"
K1	23'-10 1/4"
L	16'-2 1/4"
M	28'-1 3/4"
N	24'-0 1/2"
S	26'-9"
T	8'-0 3/4"

FROM C TO:	
B	29'-7 1/2"
E	9'-10 3/4"
F	20'-8 3/4"
G	14'-9"
H	13'-3"
H1	16'
J	21'-8 1/2"
K	7'-7 1/2"
K1	7'
L	16'-1 1/2"
M	13'-4"
N	13'-1 1/2"
S	7'
T	26'-5 1/4"

FROM D TO:	
A	29'-7 1/2"
E	19'-9 1/2"
F	9'-2 3/4"
G	11'-10 1/2"
H	21'-8"
H1	23'-5 1/4"
J	17'-6"
K	18'-9"
K1	18'-6"
L	9'-8 1/2"
M	17'-6 1/4"
N	14'-2 3/4"
S	26'-5 1/4"
T	7'

FROM S TO:	
E	7'
F	17'-6"
G	17'-10 1/2"
H	8'-2 1/4"
H1	10'-2"
J	17'-9"
K	8'-0 3/4"
K1	9'-10 3/4"
L	16'-9 1/4"
M	18'-7 1/4"
N	17'-0 1/2"
T	25'-6"

FROM T TO:	
E	18'-6"
F	6'
G	15'-7"
H	18'-11 3/4"
H1	19'-11"
J	12'-2 3/4"
K	18'-11 1/4"
K1	19'-9 1/2"
L	10'-9 1/4"
M	21'-9 3/4"
N	17'-11"
S	25'-6"



NO DIVING PERMITTED INTO THIS POOL

The bottom configuration shown conforms with current ISPSC & ANSI / APSP / ICC suggested minimum standards for pools NOT approved for diving.

WARNING: Swimming pools can be dangerous if used improperly. Consult your dealer for information on safe use. It's the responsibility of town officials, builders and homeowners to follow safety recommendations of APSP/ANSI, local ordinances & equipment manufacturers.

- All work not specifically shown here is to be done in accordance with the requirements of the 2018 INTERNATIONAL SWIMMING POOL & SPA CODE, APSP/ANSI/ICC-5 2011 STANDARDS FOR RESIDENTIAL INGROUND SWIMMING POOLS, and all other local building codes.
- Construction Drawing: Different methods and precautions may be dictated by various ground conditions. This is to be determined by and is the responsibility of the contractor who is not an agent of the manufacturer of the component parts.
- Depth and shape of the pool meet minimum standards of the 2018 INTERNATIONAL SWIMMING POOL & SPA CODE and the APSP/ANSI/ICC-5 2011 STANDARDS FOR RESIDENTIAL INGROUND SWIMMING POOLS.
- A means of entry & exit for the deep end & shallow end of the pool must be provided in accordance with 2018 INTERNATIONAL SWIMMING POOL & SPA CODE, section 809.
- Equipotential bonding must be provided in accordance with the NATIONAL ELECTRIC CODE, NFPA 70.
- All A-frame braces are to be contained within an 8" thick continuous poured concrete (2500 psi) perimeter collar.
- Backfill with clean earth, free of roots and debris.
- Finished bottom is to be 2" minimum of suitable material or undisturbed earth.
- 3" wide, 3" thick concrete deck is to be poured at a slope of 1/4" to 1' away from the pool.
- NO DIVING labels are to be installed around the perimeter of the pool.
- A safety line, with buoys, is to be permanently attached 10' to the shallow side of the point of first slope change.
- Suction entrapment avoidance to be installed in accordance with APSP/ANSI/ICC-7

15' x 26' Right Kidney

ALL DIMENSIONS ARE FINISH DIMENSIONS

** see page A5 (full steel) & A6 (Nexus) for Radius Inside Steel Stair Filler specifications
 ** Coping Layouts are shown on pages A69 (Progressive) & A96 (CP2)

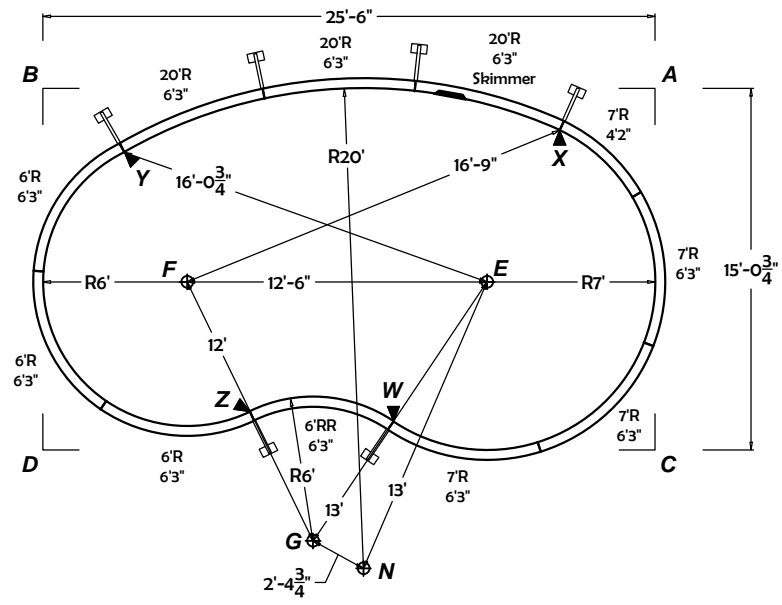
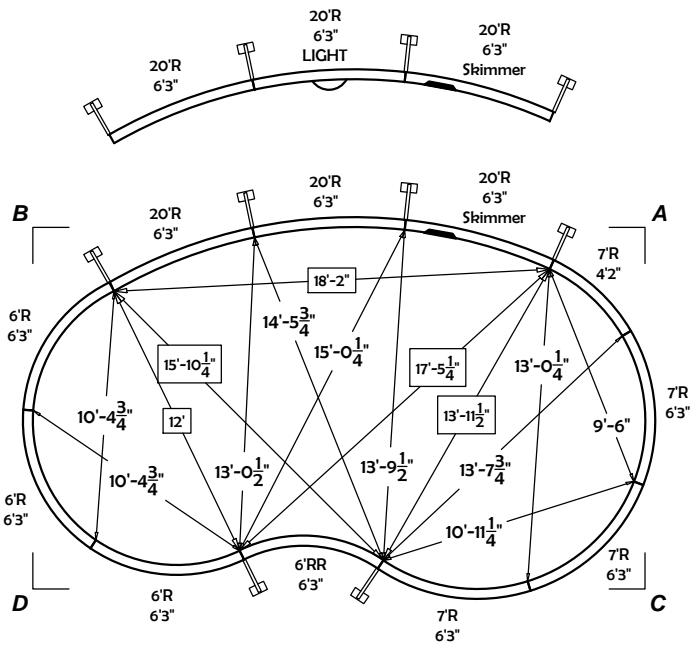
4'
4'

Perimeter	67'	page 2 of 2
Surface Area	302.12 SF	
Volume	8650 gal	
Liner Sq. Ft.	357.0000 SF	

FROM A TO:	FROM B TO:	FROM C TO:	FROM D TO:
E 10'-8"	E 20'-2 1/4"	E 9'-10 3/4"	E 19'-9 1/2"
F 21'-1 1/4"	F 10'-0 1/2"	F 20'-8 3/4"	F 9'-2 3/4"
G 23'-7 1/2"	G 21'-11 1/2"	G 14'-9"	G 11'-10 1/2"
N 23'-4 3/4"	N 24'-0 1/2"	N 13'-1 1/2"	N 14'-2 3/4"
W 17'-7 3/4"	W 20'-0 3/4"	W 10'-11 3/4"	W 14'-7 3/4"
X 4'-4 1/4"	X 21'-7 1/4"	X 13'-10 3/4"	X 25'-3 3/4"
Y 22'-3 1/4"	Y 4'-3 3/4"	Y 25'-4 1/4"	Y 12'-10 1/4"
Z 21'-7 1/4"	Z 15'-11 3/4"	Z 16'-11 1/2"	Z 8'-9"

A to D	29'-7 1/2"
B to C	

LIGHT PANEL OPTION



-- A-FRAME BRACE

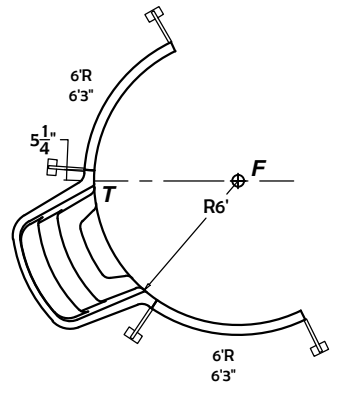
NO DIVING PERMITTED INTO THIS POOL

The bottom configuration shown conforms with current ISPS & ANSI / APSP / ICC suggested minimum standards for pools NOT approved for diving.

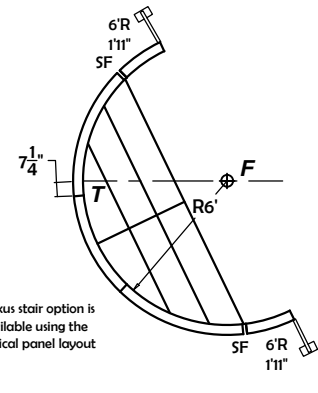
WARNING: Swimming pools can be dangerous if used improperly. Consult your dealer for information on safe use. It's the responsibility of town officials, builders and homeowners to follow safety recommendations of APSP/ANSI, local ordinances & equipment manufacturers.

- All work not specifically shown here is to be done in accordance with the requirements of the 2018 INTERNATIONAL SWIMMING POOL & SPA CODE, APSP/ANSI/ICC-5 2011 STANDARDS FOR RESIDENTIAL INGROUND SWIMMING POOLS, and all other local building codes.
- Construction Drawing: Different methods and precautions may be dictated by various ground conditions. This is to be determined by and is the responsibility of the contractor who is not an agent of the manufacturer of the component parts.
- Depth and shape of the pool meet minimum standards of the 2018 INTERNATIONAL SWIMMING POOL & SPA CODE and the APSP/ANSI/ICC-5 2011 STANDARDS FOR RESIDENTIAL INGROUND SWIMMING POOLS.
- A means of entry & exit for the deep end & shallow end of the pool must be provided in accordance with 2018 INTERNATIONAL SWIMMING POOL & SPA CODE, section 809.
- Equipotential bonding must be provided in accordance with the NATIONAL ELECTRIC CODE, NFPA 70.
- All A-frame braces are to be contained within an 8" thick continuous poured concrete (2500 psi) perimeter collar.
- Backfill with clean earth, free of roots and debris.
- Finished bottom is to be 2" minimum of suitable material or undisturbed earth.
- 3" wide, 3" thick concrete deck is to be poured at a slope of 1/4" to 1' away from the pool.
- NO DIVING labels are to be installed around the perimeter of the pool.
- A safety line, with buoys, is to be permanently attached 10' to the shallow side of the point of first slope change.
- Suction entrapment avoidance to be installed in accordance with APSP/ANSI/ICC-7

6' RADIUS PLASTIC STEP OPTION



6'R x 12'W STEEL STAIR OPTION



* Nexus stair option is available using the identical panel layout

SF--FREE FORM STAIR FILLER (O4487U)

16' x 30' Left Kidney

Perimeter	82'-5"	page 1 of 2	No Stairs	8'R x 14'W Stair	8'R Plastic Step
Surface Area	458.12 SF				
Volume	11900 gal				
Liner Sq. Ft.	486.0000 SF				
ITEM #	PART DESCRIPTION				
04483	24' Radius Panel - 6'3"	3	3	3	
04162	8' Radius Panel - 6'3"	5	2	3	
04476	8' Radius Skimmer - 6'3"	1	1	1	
04167	8' Radius Return - 6'3"	2	1	2	
04441	8' Radius Panel - 4'2"			2	
04164	8' Radius Panel - 2'3"			2	
04165	8' Reverse Radius - 6'3"	1	1	1	
04114	2' Plain Panel	2	2	2	
04126	1'6" Plain Panel	2	2	2	
----	Adjustable A-Frame	10	10	12	
04010B	8'R x 14'W Steel Stair		1		
07418RSNR	8' Radius Step-n-Rest			1	
PAK-75	Nut & Bolt Pak - 75 pcs	1	1	1	
PAK-100	Nut & Bolt Pak - 100 pcs	1	1	1	
04134	8' Radius Light - 6'3"				
04133	8' Radius Panel - 3'1 1/2"				

**ALL DIMENSIONS
ARE FINISH
DIMENSIONS**

** see page A5 (full steel) & A6 (Nexus) for Radius Inside Steel Stair Filler specifications
** Coping Layouts are shown on pages A69 (Progressive) & A96 (CP2)

FROM A TO:	
D	37'-4 1/4"
E	11'-3 3/4"
F	26'-3"
G	26'
H	8'-11 1/4"
H1	8'
J	16'-6 1/4"
K	14'-5"
K1	17'-10 3/4"
L	25'-3 3/4"
M	21'-8 3/4"
S	8'
T	29'-0 3/4"

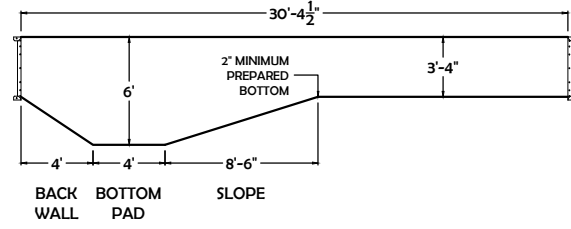
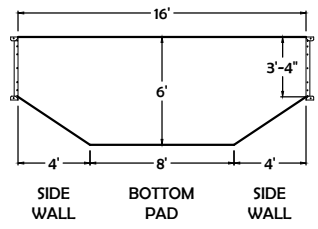
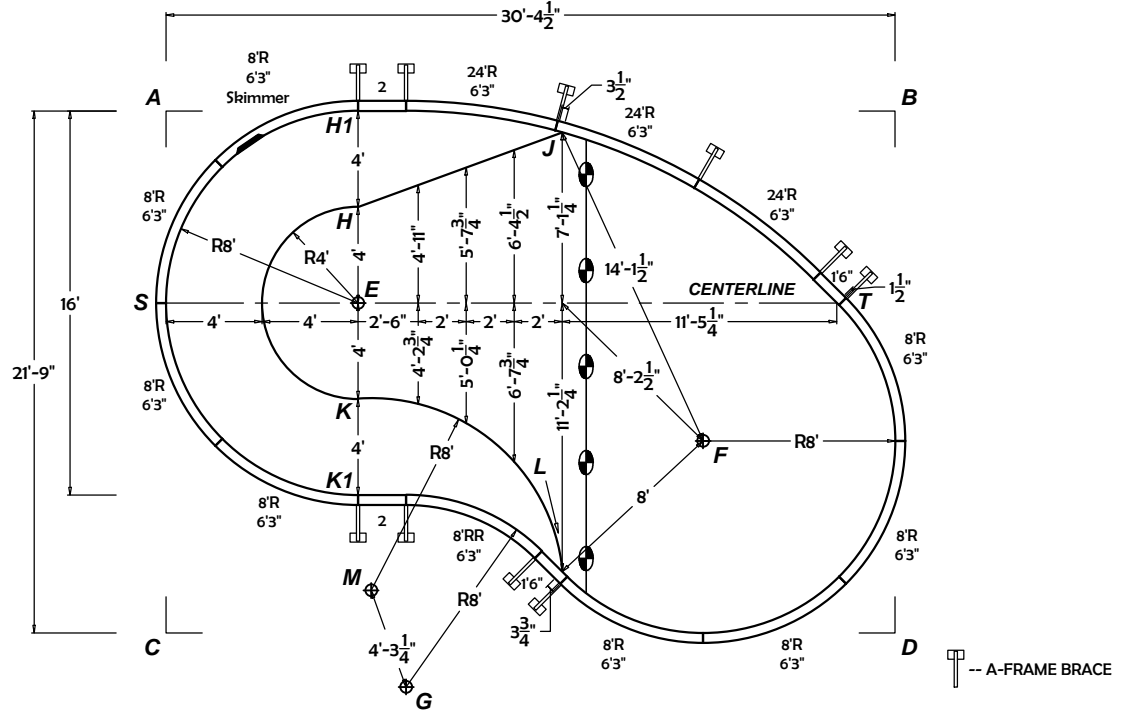
FROM B TO:	
C	37'-4 1/4"
E	23'-9 1/4"
F	15'-10 3/4"
G	31'-5 3/4"
H	22'-8 3/4"
H1	22'-4 1/2"
J	13'-10 3/4"
K	25'-4 3/4"
K1	27'-6"
L	23'-8 1/4"
M	29'-7 1/4"
S	31'-5"
T	8'-4 1/4"

FROM C TO:	
B	37'-4 1/4"
E	15'-10 3/4"
F	23'-9 1/4"
G	10'-3"
H	19'-5 1/2"
H1	23'-2"
J	26'-7"
K	12'-7 1/4"
K1	9'-10 1/4"
L	16'-8 1/4"
M	8'-8 3/4"
S	13'-9"
T	31'-1 3/4"

FROM D TO:	
A	37'-4 1/4"
E	26'-3"
F	11'-3 3/4"
G	20'-6"
H	28'-6 3/4"
H1	31'-2 1/2"
J	25'-0 1/2"
K	24'-4 3/4"
K1	23'-1 1/4"
L	14'-1 1/4"
M	21'-10 3/4"
S	33'-4"
T	13'-11 1/2"

FROM S TO:	
E	8'
F	23'-1 1/4"
G	18'-10 1/2"
H	8'-11 1/4"
H1	11'-3 3/4"
J	17'-11 1/2"
K	8'-11 1/4"
K1	11'-3 3/4"
L	19'-11 1/4"
M	14'-8 1/2"
T	27'-11 1/4"

FROM T TO:	
E	19'-11 1/4"
F	8'
G	24'-0 1/2"
H	20'-4"
H1	21'-5 3/4"
J	13'-5 1/2"
K	20'-4"
K1	21'-5 3/4"
L	16'
M	22'-9 3/4"
S	27'-11 1/4"



NO DIVING PERMITTED INTO THIS POOL

The bottom configuration shown conforms with current ISPCS & ANSI / APSP / ICC suggested minimum standards for pools NOT approved for diving.

WARNING: Swimming pools can be dangerous if used improperly. Consult your dealer for information on safe use. It's the responsibility of town officials, builders and homeowners to follow safety recommendations of APSP/ANSI, local ordinances & equipment manufacturers.

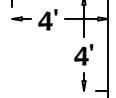
- All work not specifically shown here is to be done in accordance with the requirements of the 2018 INTERNATIONAL SWIMMING POOL & SPA CODE, APSP/ANSI/ICC-5 2011 STANDARDS FOR RESIDENTIAL INGROUND SWIMMING POOLS, and all other local building codes.
- Construction Drawing: Different methods and precautions may be dictated by various ground conditions. This is to be determined by and is the responsibility of the contractor who is not an agent of the manufacturer of the component parts.
- Depth and shape of the pool meet minimum standards of the 2018 INTERNATIONAL SWIMMING POOL & SPA CODE and the APSP/ANSI/ICC-5 2011 STANDARDS FOR RESIDENTIAL INGROUND SWIMMING POOLS.
- A means of entry & exit for the deep end & shallow end of the pool must be provided in accordance with 2018 INTERNATIONAL SWIMMING POOL & SPA CODE, section 809.
- Equipotential bonding must be provided in accordance with the NATIONAL ELECTRIC CODE, NFPA 70.
- All A-frame braces are to be contained within an 8" thick continuous poured concrete (2500 psi) perimeter collar.
- Backfill with clean earth, free of roots and debris.
- Finished bottom is to be 2" minimum of suitable material or undisturbed earth.
- 3' wide, 3" thick concrete deck is to be poured at a slope of 1/4" to 1' away from the pool.
- NO DIVING labels are to be installed around the perimeter of the pool.
- A safety line, with buoys, is to be permanently attached 10' to the shallow side of the point of first slope change.
- Suction entrapment avoidance to be installed in accordance with APSP/ANSI/ICC-7

16' x 30' Left Kidney

Perimeter	82'-5"	page 2 of 2
Surface Area	458.12 SF	
Volume	11900 gal	
Liner Sq. Ft.	486.0000 SF	

**ALL DIMENSIONS
ARE FINISH
DIMENSIONS**

** see page A5 (full steel) & A6 (Nexus) for Radius
Inside Steel Stair Filler specifications
** Coping Layouts are shown on
pages A69 (Progressive) & A96 (CP2)



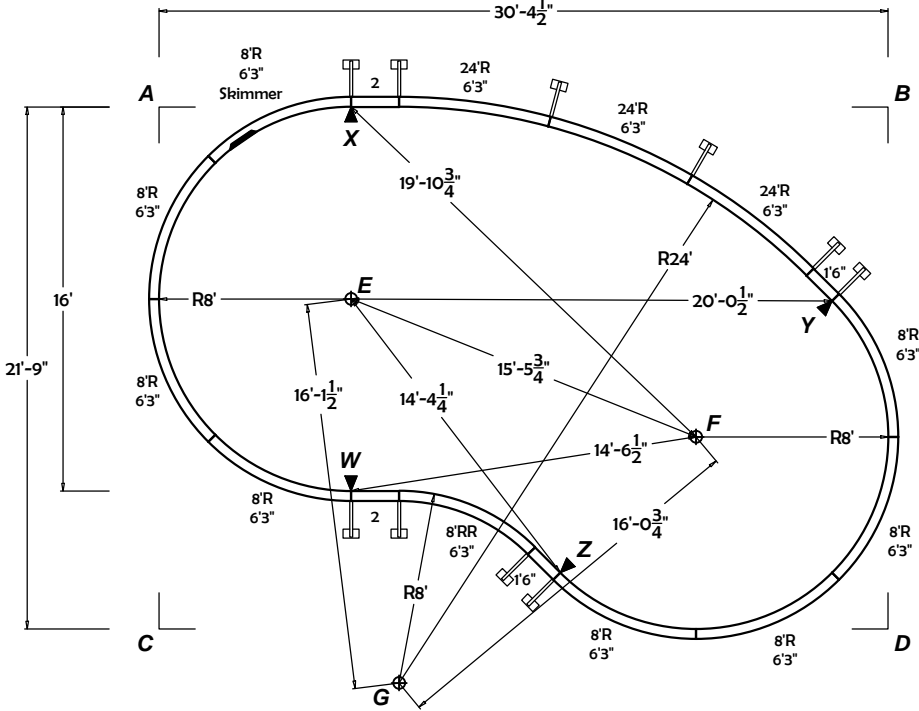
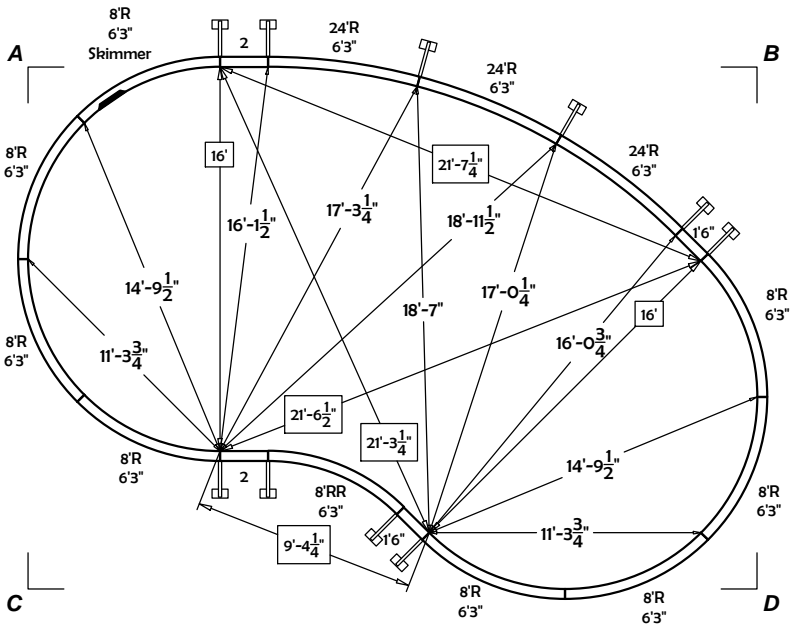
A to D	37'-4 1/4"
B to C	

FROM A TO:	
E	11'-3 3/4"
F	26'-3"
G	26'
W	17'-10 3/4"
X	8'
Y	29'-2"
Z	25'-7 1/4"

FROM B TO:	
E	23'-9 1/4"
F	15'-10 3/4"
G	31'-5 3/4"
W	27'-6"
X	22'-4 1/2"
Y	8'-5"
Z	23'-8 3/4"

FROM C TO:	
E	15'-10 3/4"
F	23'-9 1/4"
G	10'-3"
W	9'-10 1/4"
X	23'-2"
Y	31'-2 1/4"
Z	16'-10 1/2"

FROM D TO:	
E	26'-3"
F	11'-3 3/4"
G	20'-6"
W	23'-11 1/4"
X	31'-2 1/2"
Y	13'-10 1/4"
Z	13'-10 1/4"

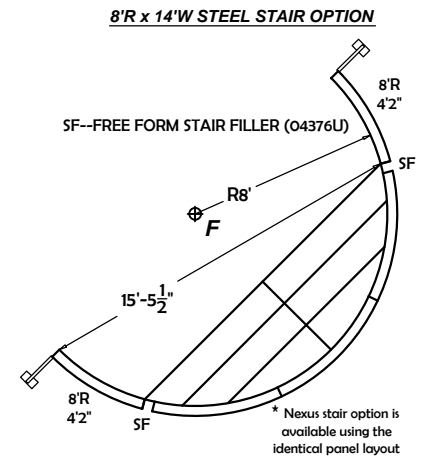
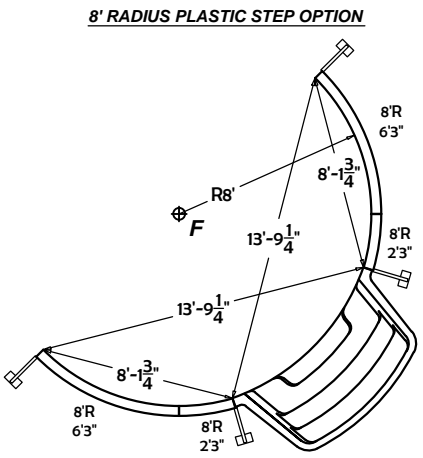
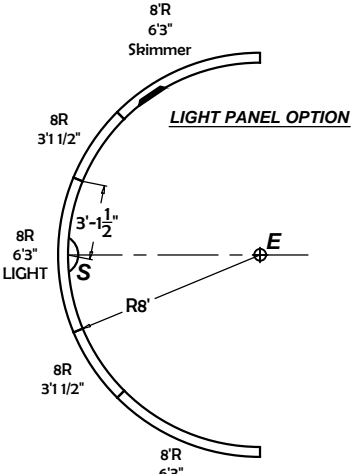


NO DIVING PERMITTED INTO THIS POOL

The bottom configuration shown conforms with current ISPS & ANSI / APSP / ICC suggested minimum standards for pools NOT approved for diving.

WARNING: Swimming pools can be dangerous if used improperly. Consult your dealer for information on safe use. It's the responsibility of town officials, builders and homeowners to follow safety recommendations of APSP/ANSI, local ordinances & equipment manufacturers.

- All work not specifically shown here is to be done in accordance with the requirements of the 2018 INTERNATIONAL SWIMMING POOL & SPA CODE, APSP/ANSI/ICC-5 2011 STANDARDS FOR RESIDENTIAL INGROUND SWIMMING POOLS, and all other local building codes.
- Construction Drawing: Different methods and precautions may be dictated by various ground conditions. This is to be determined by and is the responsibility of the contractor who is not an agent of the manufacturer of the component parts.
- Depth and shape of the pool meet minimum standards of the 2018 INTERNATIONAL SWIMMING POOL & SPA CODE and the APSP/ANSI/ICC-5 2011 STANDARDS FOR RESIDENTIAL INGROUND SWIMMING POOLS.
- A means of entry & exit for the deep end & shallow end of the pool must be provided in accordance with 2018 INTERNATIONAL SWIMMING POOL & SPA CODE, section 809.
- Equipotential bonding must be provided in accordance with the NATIONAL ELECTRIC CODE, NFPA 70.
- All A-frame braces are to be contained within an 8" thick continuous poured concrete (2500 psi) perimeter collar.
- Backfill with clean earth, free of roots and debris.
- Finished bottom is to be 2" minimum of suitable material or undisturbed earth.
- 3" wide, 3" thick concrete deck is to be poured at a slope of 1/8" to 1' away from the pool.
- NO DIVING labels are to be installed around the perimeter of the pool.
- A safety line, with buoys, is to be permanently attached 10' to the shallow side of the point of first slope change.
- Suction entrapment avoidance to be installed in accordance with APSP/ANSI/ICC-7



* Nexus stair option is available using the identical panel layout

16' x 30' Right Kidney

Perimeter	82'-5"	page 1 of 2	No Stairs	8'R x 14'W Stair	8'R Plastic Step
Surface Area	458.12 SF				
Volume	11900 gal				
Liner Sq. Ft.	486.0000 SF				
ITEM #	PART DESCRIPTION				
04483	24' Radius Panel - 6'3"	3	3	3	
04162	8' Radius Panel - 6'3"	5	2	3	
04476	8' Radius Skimmer - 6'3"	1	1	1	
04167	8' Radius Return - 6'3"	2	1	2	
04441	8' Radius Panel - 4'2"		2		
04164	8' Radius Panel - 2'3"			2	
04165	8' Reverse Radius - 6'3"	1	1	1	
04114	2' Plain Panel	2	2	2	
04126	1'6" Plain Panel	2	2	2	
----	Adjustable A-Frame	10	10	12	
04010B	8'R x 14'W Steel Stair		1		
07418RSNR	8' Radius Step-n-Rest			1	
PAK-75	Nut & Bolt Pak - 75 pcs	1	1	1	
PAK-100	Nut & Bolt Pak - 100 pcs	1	1	1	
04134	8' Radius Light - 6'3"				
04133	8' Radius Panel - 3'1 1/2"				

ALL DIMENSIONS ARE FINISH DIMENSIONS

** see page A5 (full steel) & A6 (Nexus) for Radius Inside Steel Stair Filler specifications
** Coping Layouts are shown on pages A69 (Progressive) & A96 (CP2)

FROM A TO:	
D	37'-4 1/4"
E	11'-3 3/4"
F	26'-3"
G	26'
H	8'-11 1/4"
H1	8'
J	16'-6 1/4"
K	14'-5"
K1	17'-10 3/4"
L	25'-3 3/4"
M	21'-8 3/4"
S	8'
T	29'-0 3/4"

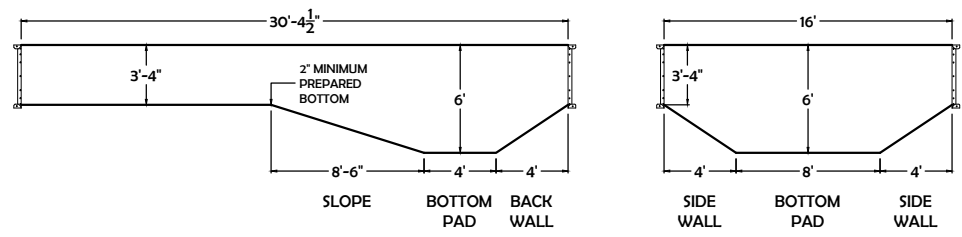
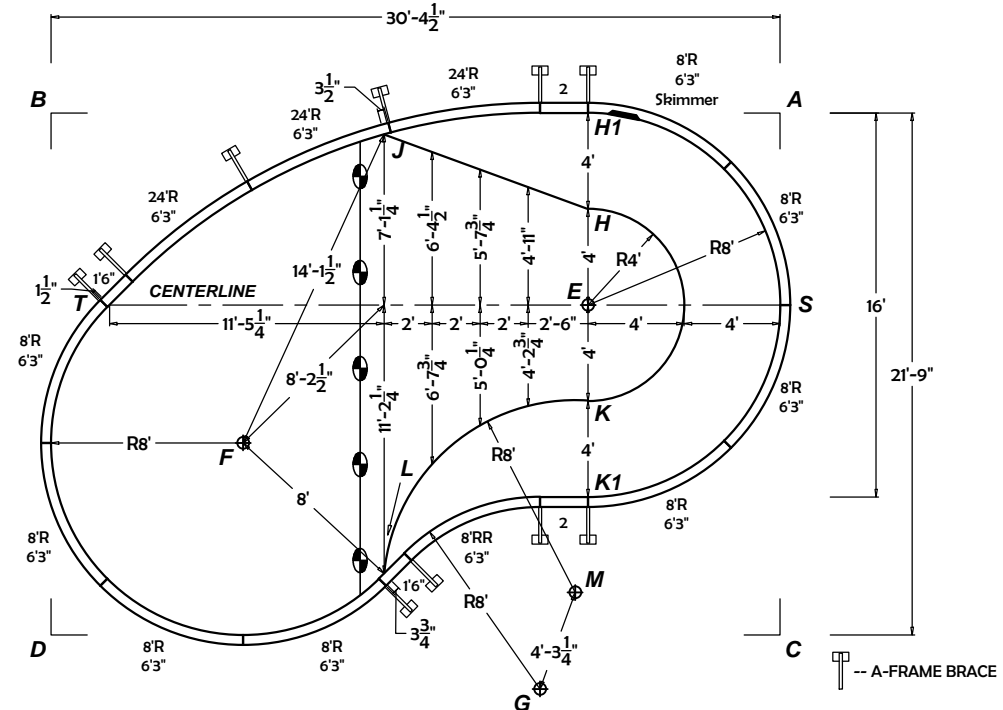
FROM B TO:	
C	37'-4 1/4"
E	23'-9 1/4"
F	15'-10 3/4"
G	31'-5 3/4"
H	22'-8 3/4"
H1	22'-4 1/2"
J	13'-10 3/4"
K	25'-4 3/4"
K1	27'-6"
L	23'-8 1/4"
M	29'-7 1/4"
S	31'-5"
T	8'-4 1/4"

FROM C TO:	
B	37'-4 1/4"
E	15'-10 3/4"
F	23'-9 1/4"
G	10'-3"
H	19'-5 1/2"
H1	23'-2"
J	26'-7"
K	12'-7 1/4"
K1	9'-10 1/4"
L	16'-8 1/4"
M	8'-8 3/4"
S	13'-9"
T	31'-1 3/4"

FROM D TO:	
A	37'-4 1/4"
E	26'-3"
F	11'-3 3/4"
G	20'-6"
H	28'-6 3/4"
H1	31'-2 1/2"
J	25'-0 1/2"
K	24'-4 3/4"
K1	23'-1 1/4"
L	14'-1 1/4"
M	21'-10 3/4"
S	33'-4"
T	13'-11 1/2"

FROM S TO:	
E	8'
F	23'-1 1/4"
G	18'-10 1/2"
H	8'-11 1/4"
H1	11'-3 3/4"
J	17'-11 1/2"
K	8'-11 1/4"
K1	11'-3 3/4"
L	19'-11 1/4"
M	14'-8 1/2"
T	27'-11 1/4"

FROM T TO:	
E	19'-11 1/4"
F	8'
G	24'-0 1/2"
H	20'-4"
H1	21'-5 3/4"
J	13'-5 1/2"
K	20'-4"
K1	21'-5 3/4"
L	16'
M	22'-9 3/4"
S	27'-11 1/4"



NO DIVING PERMITTED INTO THIS POOL

The bottom configuration shown conforms with current ISPSC & ANSI / APSP / ICC suggested minimum standards for pools NOT approved for diving.

WARNING: Swimming pools can be dangerous if used improperly. Consult your dealer for information on safe use. It's the responsibility of town officials, builders and homeowners to follow safety recommendations of APSP/ANSI, local ordinances & equipment manufacturers.

- All work not specifically shown here is to be done in accordance with the requirements of the 2018 INTERNATIONAL SWIMMING POOL & SPA CODE, APSP/ANSI/ICC-5 2011 STANDARDS FOR RESIDENTIAL INGROUND SWIMMING POOLS, and all other local building codes.
- Construction Drawing: Different methods and precautions may be dictated by various ground conditions. This is to be determined by and is the responsibility of the contractor who is not an agent of the manufacturer of the component parts.
- Depth and shape of the pool meet minimum standards of the 2018 INTERNATIONAL SWIMMING POOL & SPA CODE and the APSP/ANSI/ICC-5 2011 STANDARDS FOR RESIDENTIAL INGROUND SWIMMING POOLS.
- A means of entry & exit for the deep end & shallow end of the pool must be provided in accordance with 2018 INTERNATIONAL SWIMMING POOL & SPA CODE, section 809.
- Equipotential bonding must be provided in accordance with the NATIONAL ELECTRIC CODE, NFPA 70.
- All A-frame braces are to be contained within an 8" thick continuous poured concrete (2500 psi) perimeter collar.
- Backfill with clean earth, free of roots and debris.
- Finished bottom is to be 2" minimum of suitable material or undisturbed earth.
- 3' wide, 3" thick concrete deck is to be poured at a slope of 1/4" to 1' away from the pool.
- NO DIVING labels are to be installed around the perimeter of the pool.
- A safety line, with buoys, is to be permanently attached 10' to the shallow side of the point of first slope change.
- Suction entrapment avoidance to be installed in accordance with APSP/ANSI/ICC-7

16' x 30' Right Kidney

ALL DIMENSIONS ARE FINISH DIMENSIONS

** see page A5 (full steel) & A6 (Nexus) for Radius Inside Steel Stair Filler specifications
 ** Coping Layouts are shown on pages A69 (Progressive) & A96 (CP2)

4'
4'

Perimeter	82'-5"	page 2 of 2
Surface Area	458.12 SF	
Volume	11900 gal	
Liner Sq. Ft.	486.0000 SF	

-- A-FRAME BRACE

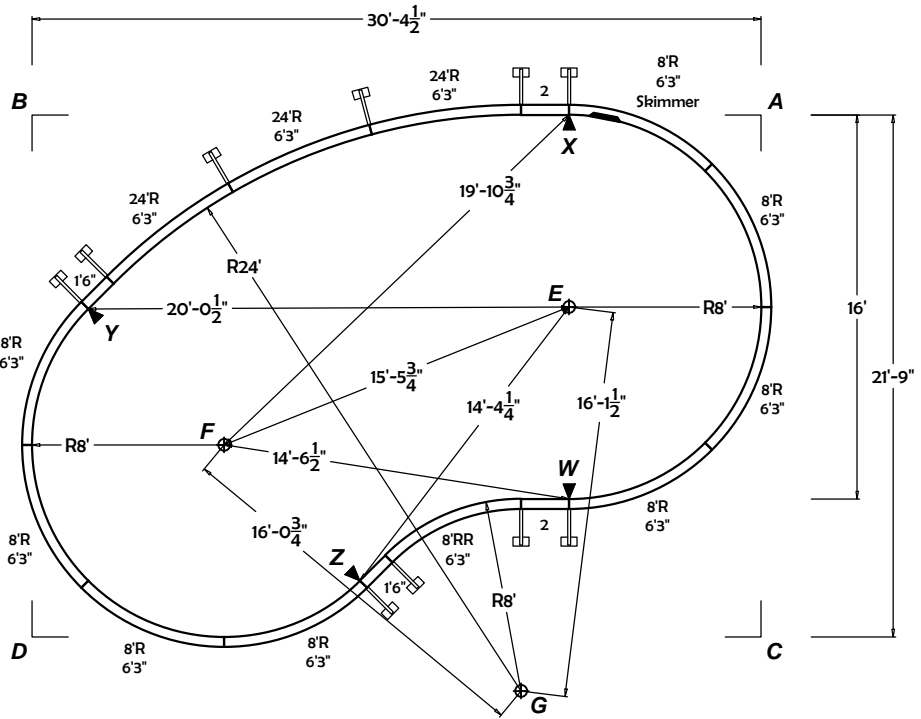
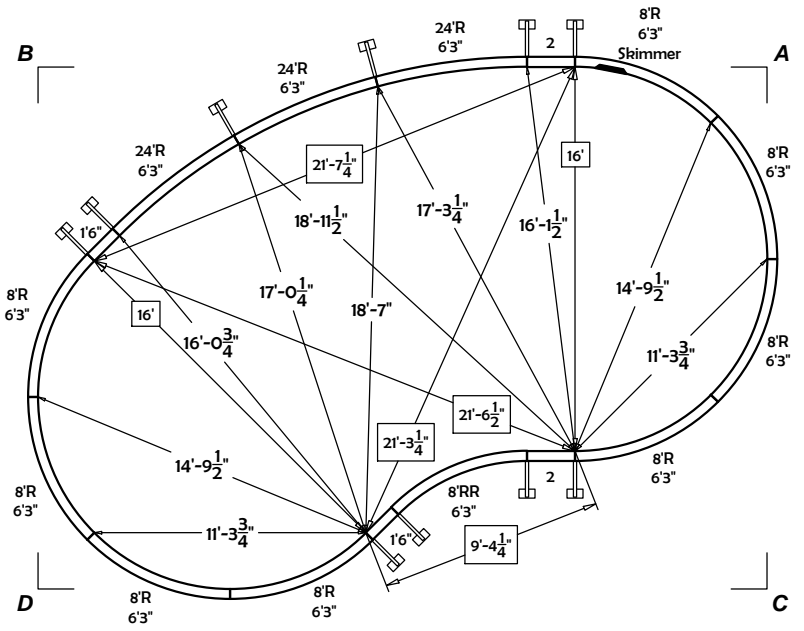
A to D	37'-4 1/4"
B to C	

FROM A TO:	
E	11'-3 3/4"
F	26'-3"
G	26'
W	17'-10 3/4"
X	8'
Y	29'-2"
Z	25'-7 1/4"

FROM B TO:	
E	23'-9 1/4"
F	15'-10 3/4"
G	31'-5 3/4"
W	27'-6"
X	22'-4 1/2"
Y	8'-5"
Z	23'-8 3/4"

FROM C TO:	
E	15'-10 3/4"
F	23'-9 1/4"
G	10'-3"
W	9'-10 1/4"
X	23'-2"
Y	31'-2 1/4"
Z	16'-10 1/2"

FROM D TO:	
E	26'-3"
F	11'-3 3/4"
G	20'-6"
W	23'-11 1/4"
X	31'-2 1/2"
Y	13'-10 1/4"
Z	13'-10 1/4"



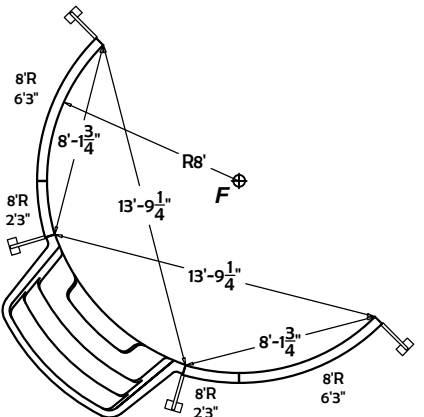
NO DIVING PERMITTED INTO THIS POOL

The bottom configuration shown conforms with current ISPS&C & ANSI / APSP / ICC suggested minimum standards for pools **NOT** approved for diving.

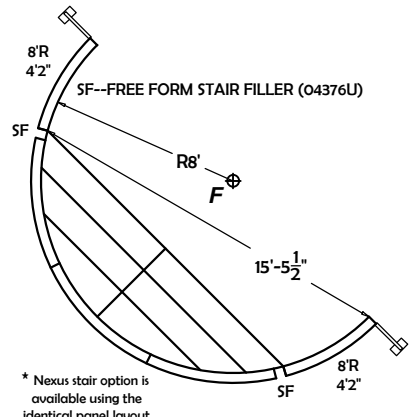
WARNING: Swimming pools can be dangerous if used improperly. Consult your dealer for information on safe use. It's the responsibility of town officials, builders and homeowners to follow safety recommendations of APSP/ANSI, local ordinances & equipment manufacturers.

- All work not specifically shown here is to be done in accordance with the requirements of the 2018 INTERNATIONAL SWIMMING POOL & SPA CODE, APSP/ANSI/ICC-5 2011 STANDARDS FOR RESIDENTIAL INGROUND SWIMMING POOLS, and all other local building codes.
- Construction Drawing: Different methods and precautions may be dictated by various ground conditions. This is to be determined by and is the responsibility of the contractor who is not an agent of the manufacturer of the component parts.
- Depth and shape of the pool meet minimum standards of the 2018 INTERNATIONAL SWIMMING POOL & SPA CODE and the APSP/ANSI/ICC-5 2011 STANDARDS FOR RESIDENTIAL INGROUND SWIMMING POOLS.
- A means of entry & exit for the deep end & shallow end of the pool must be provided in accordance with 2018 INTERNATIONAL SWIMMING POOL & SPA CODE, section 809.
- Equipotential bonding must be provided in accordance with the NATIONAL ELECTRIC CODE, NFPA 70.
- All A-frame braces are to be contained within an 8" thick continuous poured concrete (2500 psi) perimeter collar.
- Backfill with clean earth, free of roots and debris.
- Finished bottom is to be 2" minimum of suitable material or undisturbed earth.
- 3" wide, 3" thick concrete deck is to be poured at a slope of 1/4" to 1' away from the pool. NO DIVING labels are to be installed around the perimeter of the pool.
- A safety line, with buoys, is to be permanently attached 10' to the shallow side of the point of first slope change.
- Suction entrapment avoidance to be installed in accordance with APSP/ANSI/ICC-7

8' RADIUS PLASTIC STEP OPTION

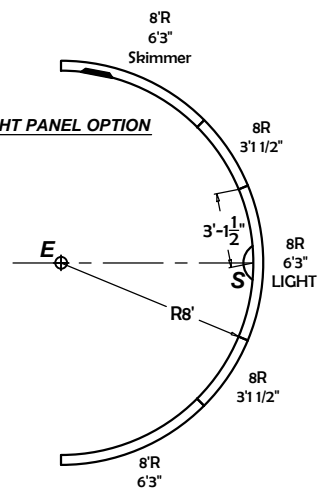


8' x 14' W STEEL STAIR OPTION



* Nexus stair option is available using the identical panel layout

LIGHT PANEL OPTION



16' x 33' Left Kidney

Perimeter	86'-5"	page			
Surface Area	488.55 SF	1 of 2			
Volume	16900 gal				
Liner Sq. Ft.	533.6667 SF				
ITEM #	PART DESCRIPTION	No Stairs	8'R x 14'W Stair	8'R Plastic Step	
04156	27' Radius Panel - 6'3"	2	2	2	
04158	27' Radius Skimmer - 6'3"	1	1	1	
04443	27' Radius Panel - 3'5 1/2"	2	2	2	
04162	8' Radius Panel - 6'3"	6	3	4	
04476	8' Radius Skimmer - 6'3"	1	1	1	
04167	8' Radius Return - 6'3"	2	1	2	
04441	8' Radius Panel - 4'2"		2		
04164	8' Radius Panel - 2'3"			2	
04300	10' Reverse Radius - 5'2 1/4"	2	2	2	
----	Adjustable A-Frame	9	9	11	
04010B	8'R x 14'W Steel Stair		1		
07418RSNR	8' Radius Step-n-Rest			1	
PAK-75	Nut & Bolt Pak - 75 pcs	1	1	1	
PAK-100	Nut & Bolt Pak - 100 pcs	1	1	1	
04134	8' Radius Light - 6'3"				

ALL DIMENSIONS ARE FINISH DIMENSIONS

** see page A5 (full steel) & A6 (Nexus) for Radius Inside Steel Stair Filler specifications
** Coping Layouts are shown on pages A69 (Progressive) & A96 (CP2)

FROM A TO:	
D	37'-11 1/2"
E	12'-10 1/2"
F	27'-3 1/2"
G	30'-9 1/4"
H	11'-2"
H1	10'-0 1/2"
J	24'-0 1/4"
K	16'-10 1/4"
K1	20'-5 1/2"
L	29'-11 3/4"
M	31'-11 1/2"
N	31'-8 3/4"
S	10'-11 1/4"
T	34'-10 1/4"

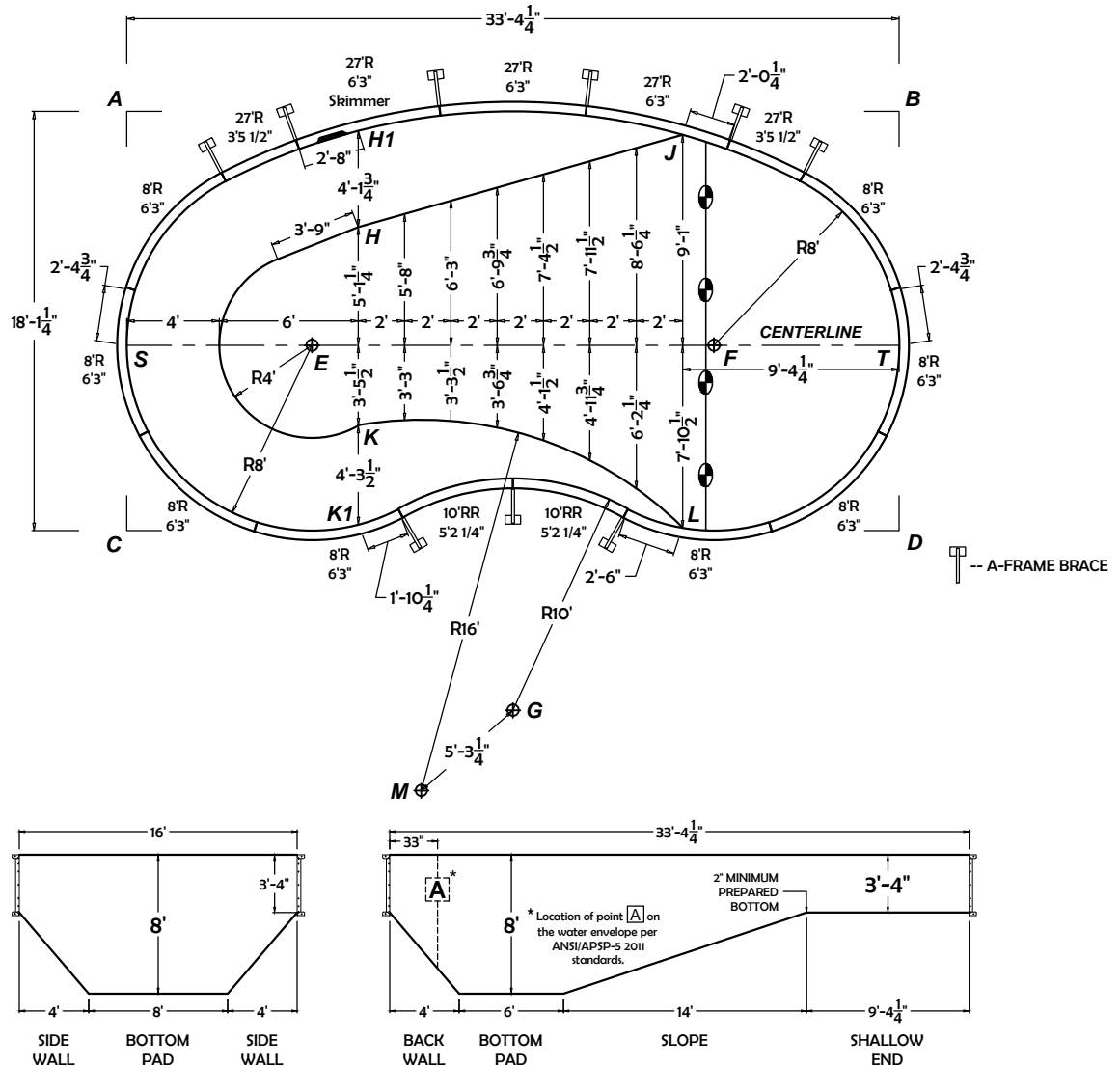
FROM B TO:	
C	37'-11 1/2"
E	27'-3 1/2"
F	12'-10 1/2"
G	30'-9 1/4"
H	23'-10 1/2"
H1	23'-4 1/2"
J	9'-5"
K	27'
K1	29'-4 3/4"
L	20'-3 1/4"
M	35'-10 1/4"
N	31'-8 3/4"
S	34'-10 1/4"
T	10'-1 1/4"

FROM C TO:	
B	37'-11 1/2"
E	11'-3 3/4"
F	26'-7"
G	18'-4 3/4"
H	16'-5 3/4"
H1	19'-11 1/4"
J	29'-5 1/2"
K	10'-11 3/4"
K1	10'
L	24'
M	16'-11 1/2"
N	18'-10 3/4"
S	8'
T	34'-3 3/4"

FROM D TO:	
A	37'-11 1/2"
E	26'-7"
F	11'-3 3/4"
G	18'-4 3/4"
H	26'-9 1/2"
H1	29'-0 1/2"
J	19'-5 3/4"
K	23'-9 1/2"
K1	23'-4 1/4"
L	9'-4 1/4"
M	23'-6"
N	18'-10 3/4"
S	34'-3 3/4"
T	8'

FROM S TO:	
E	8'
F	25'-4 1/4"
G	22'-11 1/2"
H	11'-2 3/4"
H1	13'-7 1/2"
J	25'-8"
K	10'-7"
K1	12'-7 3/4"
L	25'-3 1/4"
M	23'-0 3/4"
N	23'-9"
T	33'-4 1/4"

FROM T TO:	
E	25'-4 1/4"
F	8'
G	22'-11 1/2"
H	23'-11"
H1	25'-1 1/2"
J	13'-0 1/2"
K	23'-7 1/4"
K1	24'-7 1/4"
L	12'-2 3/4"
M	28'-2 1/2"
N	23'-9"
S	33'-4 1/4"



DIVING PERMITTED ONLY FROM DESIGNATED DIVING AREA.
The bottom configuration shown conforms with current ISPSC & ANSI / APSP / ICC suggested minimum standards for pools approved for use with manufactured diving equipment.

WARNING: Swimming pools can be dangerous if used improperly. Consult your dealer for information on safe use. It's the responsibility of town officials, builders and homeowners to follow safety recommendations of APSP/ANSI, local ordinances & equipment manufacturers.

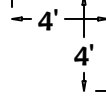
- All work not specifically shown here is to be done in accordance with the requirements of the 2018 INTERNATIONAL SWIMMING POOL & SPA CODE, APSP/ANSI/ICC-5 2011 STANDARDS FOR RESIDENTIAL INGROUND SWIMMING POOLS, and all other local building codes.
- Construction Drawing: Different methods and precautions may be dictated by various ground conditions. This is to be determined by and is the responsibility of the contractor who is not an agent of the manufacturer of the component parts.
- Depth and shape of the pool meet minimum standards of the 2018 INTERNATIONAL SWIMMING POOL & SPA CODE and the APSP/ANSI/ICC-5 2011 STANDARDS FOR RESIDENTIAL INGROUND SWIMMING POOLS.
- A means of entry & exit for the deep end & shallow end of the pool must be provided in accordance with 2018 INTERNATIONAL SWIMMING POOL & SPA CODE, section 809.
- Equipotential bonding must be provided in accordance with the NATIONAL ELECTRIC CODE, NFPA 70.
- All A-frame braces are to be contained within an 8" thick continuous poured concrete (2500 psi) perimeter collar.
- Backfill with clean earth, free of roots and debris.
- Finished bottom is to be 2" minimum of suitable material or undisturbed earth.
- 3" wide, 3" thick concrete deck is to be poured at a slope of 1/4" to 1' away from the pool. NO DIVING labels are to be installed around the perimeter of the pool.
- A safety line, with buoys, is to be permanently attached 10' to the shallow side of the point of first slope change.
- Suction entrapment avoidance to be installed in accordance with APSP/ANSI/ICC-7

16' x 33' Left Kidney

Perimeter	86'-5"	page 2 of 2
Surface Area	488.55 SF	
Volume	16900 gal	
Liner Sq. Ft.	533.6667 SF	

**ALL DIMENSIONS
ARE FINISH
DIMENSIONS**

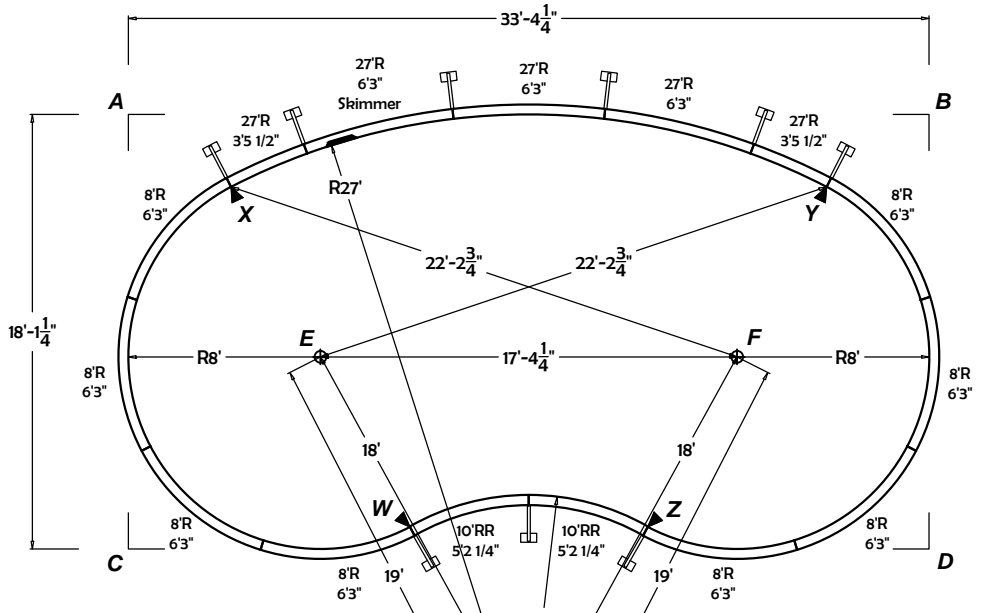
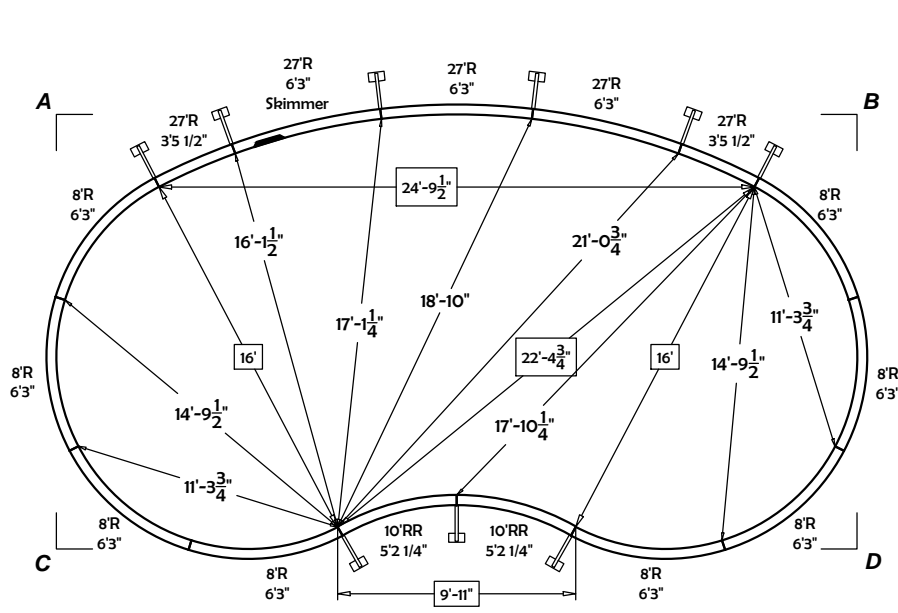
** see page A5 (full steel) & A6 (Nexus) for Radius Inside Steel Stair Filler specifications
** Coping Layouts are shown on pages A69 (Progressive) & A96 (CP2)



FROM A TO:	FROM B TO:	FROM C TO:	FROM D TO:
E 12'-10 1/2"	E 27'-3 1/2"	E 11'-3 3/4"	E 26'-7"
F 27'-3 1/2"	F 12'-10 1/2"	F 26'-7"	F 11'-3 3/4"
G 30'-9 1/4"	G 30'-9 1/4"	G 18'-4 3/4"	G 18'-4 3/4"
N 31'-8 3/4"	N 31'-8 3/4"	N 18'-10 3/4"	N 18'-10 3/4"
W 20'-9 1/2"	W 27'-7 1/2"	W 11'-9"	W 21'-7 3/4"
X 5'-2 3/4"	X 29'-2 3/4"	X 15'-8"	X 32'-9"
Y 29'-2 3/4"	Y 5'-2 3/4"	Y 32'-9"	Y 15'-8"
Z 27'-7 1/2"	Z 20'-9 1/2"	Z 21'-7 3/4"	Z 11'-9"

A to D	37'-11 1/2"
B to C	

-- A-FRAME BRACE

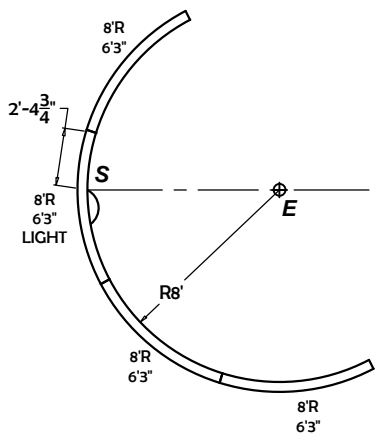


DIVING PERMITTED ONLY FROM DESIGNATED DIVING AREA.
The bottom configuration shown conforms with current ISPSC & ANSI / APSP / ICC suggested minimum standards for pools approved for use with manufactured diving equipment.

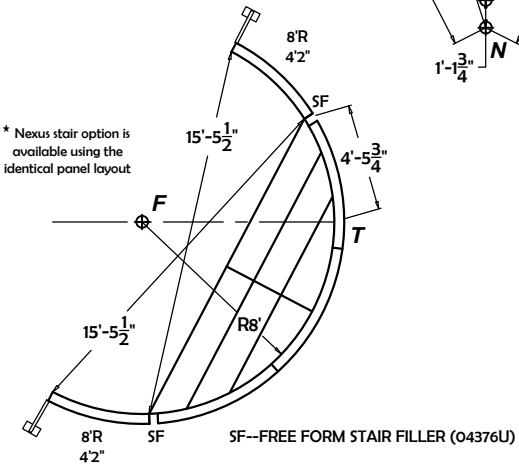
WARNING: Swimming pools can be dangerous if used improperly. Consult your dealer for information on safe use. It's the responsibility of town officials, builders and homeowners to follow safety recommendations of APSP/ANSI, local ordinances & equipment manufacturers.

- All work not specifically shown here is to be done in accordance with the requirements of the 2018 INTERNATIONAL SWIMMING POOL & SPA CODE, APSP/ANSI/ICC-5 2011 STANDARDS FOR RESIDENTIAL INGROUND SWIMMING POOLS, and all other local building codes.
- Construction Drawing: Different methods and precautions may be dictated by various ground conditions. This is to be determined by and is the responsibility of the contractor who is not an agent of the manufacturer of the component parts.
- Depth and shape of the pool meet minimum standards of the 2018 INTERNATIONAL SWIMMING POOL & SPA CODE and the APSP/ANSI/ICC-5 2011 STANDARDS FOR RESIDENTIAL INGROUND SWIMMING POOLS.
- A means of entry & exit for the deep end & shallow end of the pool must be provided in accordance with 2018 INTERNATIONAL SWIMMING POOL & SPA CODE, section 809.
- Equipotential bonding must be provided in accordance with the NATIONAL ELECTRIC CODE, NFPA 70.
- All A-frame braces are to be contained within an 8" thick continuous poured concrete (2500 psi) perimeter collar.
- Backfill with clean earth, free of roots and debris.
- Finished bottom is to be 2" minimum of suitable material or undisturbed earth.
- 3" wide, 3" thick concrete deck is to be poured at a slope of 1/4" to 1' away from the pool. NO DIVING labels are to be installed around the perimeter of the pool.
- A safety line, with buoys, is to be permanently attached 10' to the shallow side of the point of first slope change.
- Suction entrapment avoidance to be installed in accordance with APSP/ANSI/ICC-7

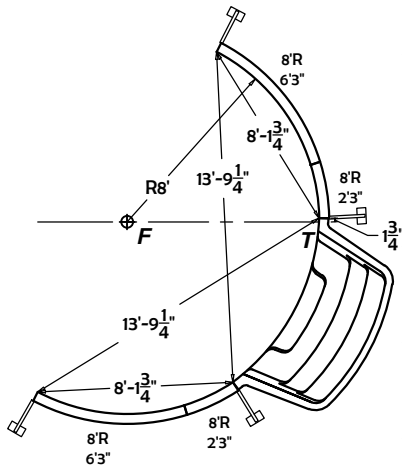
LIGHT PANEL OPTION



8'R x 14'W STEEL STAIR OPTION



8' RADIUS PLASTIC STEP OPTION



16' x 33' Right Kidney

Perimeter	86'-5"	page 1 of 2	No Stairs	8'R x 14'W Stair	8'R Plastic Step
Surface Area	488.55 SF				
Volume	16900 gal				
Liner Sq. Ft.	533.6667 SF				
ITEM #	PART DESCRIPTION				
04156	27' Radius Panel - 6'3"	2	2	2	
04158	27' Radius Skimmer - 6'3"	1	1	1	
04443	27' Radius Panel - 3'5 1/2"	2	2	2	
04162	8' Radius Panel - 6'3"	6	3	4	
04476	8' Radius Skimmer - 6'3"	1	1	1	
04167	8' Radius Return - 6'3"	2	1	2	
04441	8' Radius Panel - 4'2"		2		
04164	8' Radius Panel - 2'3"			2	
04300	10' Reverse Radius - 5'2 1/4"	2	2	2	
----	Adjustable A-Frame	9	9	11	
04010B	8'R x 14'W Steel Stair		1		
07418R5NR	8' Radius Step-n-Rest			1	
PAK-75	Nut & Bolt Pak - 75 pcs	1	1	1	
PAK-100	Nut & Bolt Pak - 100 pcs	1	1	1	
04134	8' Radius Light - 6'3"				

ALL DIMENSIONS ARE FINISH DIMENSIONS

** see page A5 (full steel) & A6 (Nexus) for Radius Inside Steel Stair Filler specifications
** Coping Layouts are shown on pages A69 (Progressive) & A96 (CP2)

FROM A TO:	
D	37'-11 1/2"
E	12'-10 1/2"
F	27'-3 1/2"
G	30'-9 1/4"
H	11'-2"
H1	10'-0 1/2"
J	24'-0 1/4"
K	16'-10 1/4"
K1	20'-5 1/2"
L	29'-11 3/4"
M	31'-11 1/2"
N	31'-8 3/4"
S	10'-11 1/4"
T	34'-10 1/4"

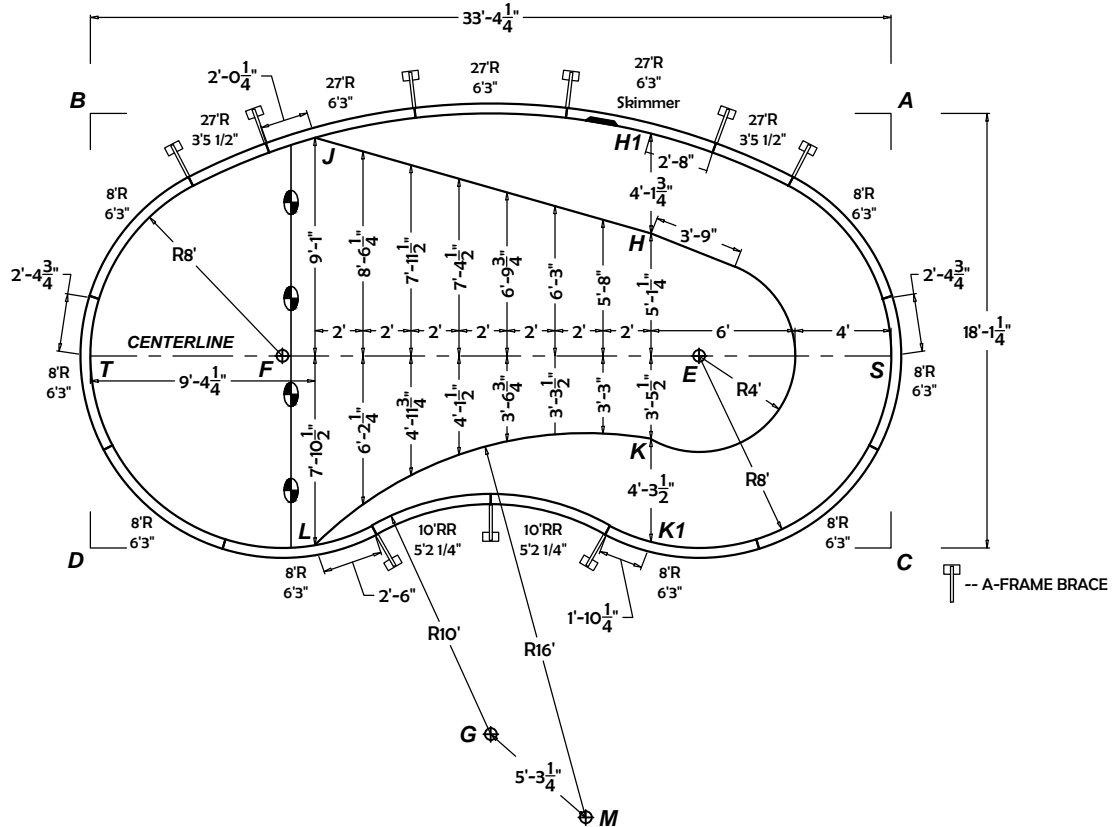
FROM B TO:	
C	37'-11 1/2"
E	27'-3 1/2"
F	12'-10 1/2"
G	30'-9 1/4"
H	23'-10 1/2"
H1	23'-4 1/2"
J	9'-5"
K	27'
K1	29'-4 3/4"
L	20'-3 1/4"
M	35'-10 1/4"
N	31'-8 3/4"
S	34'-10 1/4"
T	10'-1 1/4"

FROM C TO:	
B	37'-11 1/2"
E	11'-3 3/4"
F	26'-7"
G	18'-4 3/4"
H	16'-5 3/4"
H1	19'-11 1/4"
J	29'-5 1/2"
K	10'-11 3/4"
K1	10'
L	24'
M	16'-11 1/2"
N	18'-10 3/4"
S	8'
T	34'-3 3/4"

FROM D TO:	
A	37'-11 1/2"
E	26'-7"
F	11'-3 3/4"
G	18'-4 3/4"
H	26'-9 1/2"
H1	29'-0 1/2"
J	19'-5 3/4"
K	23'-9 1/2"
K1	23'-4 1/4"
L	9'-4 1/4"
M	23'-6"
N	18'-10 3/4"
S	34'-3 3/4"
T	8'

FROM S TO:	
E	8'
F	25'-4 1/4"
G	22'-11 1/2"
H	11'-2 3/4"
H1	13'-7 1/2"
J	25'-8"
K	10'-7"
K1	12'-7 3/4"
L	25'-3 1/4"
M	23'-0 3/4"
N	23'-9"
T	33'-4 1/4"

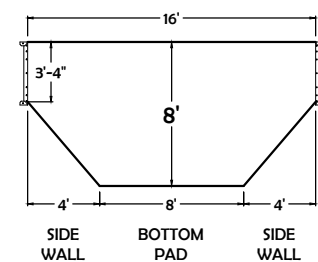
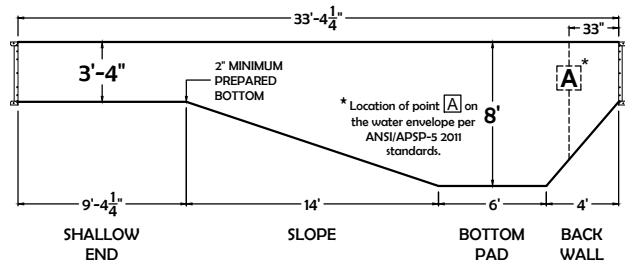
FROM T TO:	
E	25'-4 1/4"
F	8'
G	22'-11 1/2"
H	23'-11"
H1	25'-1 1/2"
J	13'-0 1/2"
K	23'-7 1/4"
K1	24'-7 1/4"
L	12'-2 3/4"
M	28'-2 1/2"
N	23'-9"
S	33'-4 1/4"



DIVING PERMITTED ONLY FROM DESIGNATED DIVING AREA.
The bottom configuration shown conforms with current ISPSC & ANSI / APSP / ICC suggested minimum standards for pools approved for use with manufactured diving equipment.

WARNING: Swimming pools can be dangerous if used improperly. Consult your dealer for information on safe use. It's the responsibility of town officials, builders and homeowners to follow safety recommendations of APSP/ANSI, local ordinances & equipment manufacturers.

- All work not specifically shown here is to be done in accordance with the requirements of the 2018 INTERNATIONAL SWIMMING POOL & SPA CODE, APSP/ANSI/ICC-5 2011 STANDARDS FOR RESIDENTIAL INGROUND SWIMMING POOLS, and all other local building codes.
- Construction Drawing: Different methods and precautions may be dictated by various ground conditions. This is to be determined by and is the responsibility of the contractor who is not an agent of the manufacturer of the component parts.
- Depth and shape of the pool meet minimum standards of the 2018 INTERNATIONAL SWIMMING POOL & SPA CODE and the APSP/ANSI/ICC-5 2011 STANDARDS FOR RESIDENTIAL INGROUND SWIMMING POOLS.
- A means of entry & exit for the deep end & shallow end of the pool must be provided in accordance with 2018 INTERNATIONAL SWIMMING POOL & SPA CODE, section 809.
- Equipotential bonding must be provided in accordance with the NATIONAL ELECTRIC CODE, NFPA 70.
- All A-frame braces are to be contained within an 8" thick continuous poured concrete (2500 psi) perimeter collar.
- Backfill with clean earth, free of roots and debris.
- Finished bottom is to be 2" minimum of suitable material or undisturbed earth.
- 3' wide, 3" thick concrete deck is to be poured at a slope of 1/4" to 1' away from the pool.
- NO DIVING labels are to be installed around the perimeter of the pool.
- A safety line, with buoys, is to be permanently attached 10' to the shallow side of the point of first slope change.
- Suction entrapment avoidance to be installed in accordance with APSP/ANSI/ICC-7



16' x 33' Right Kidney

ALL DIMENSIONS ARE FINISH DIMENSIONS

** see page A5 (full steel) & A6 (Nexus) for Radius Inside Steel Stair Filler specifications
 ** Coping Layouts are shown on pages A69 (Progressive) & A96 (CP2)

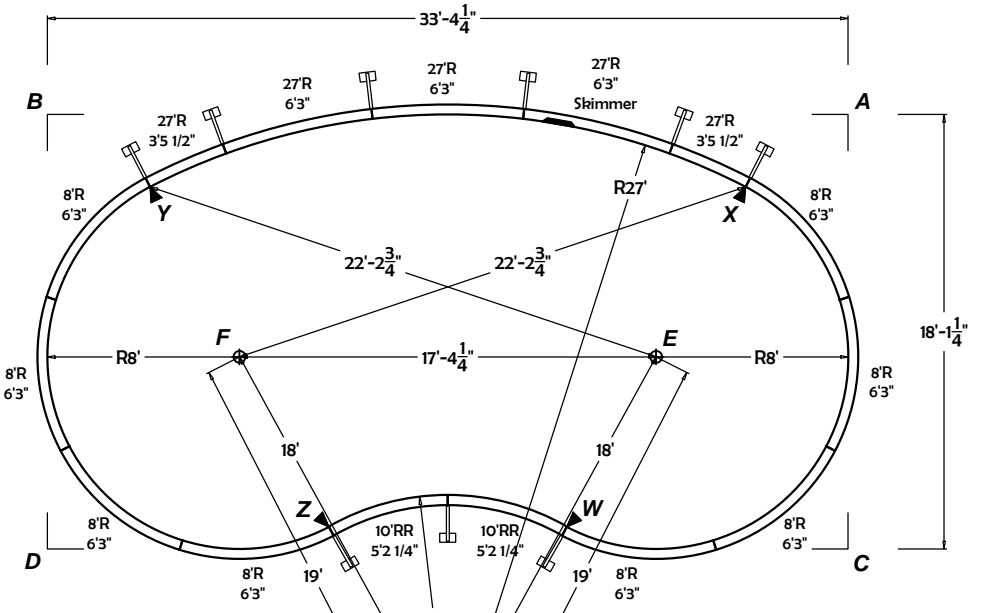
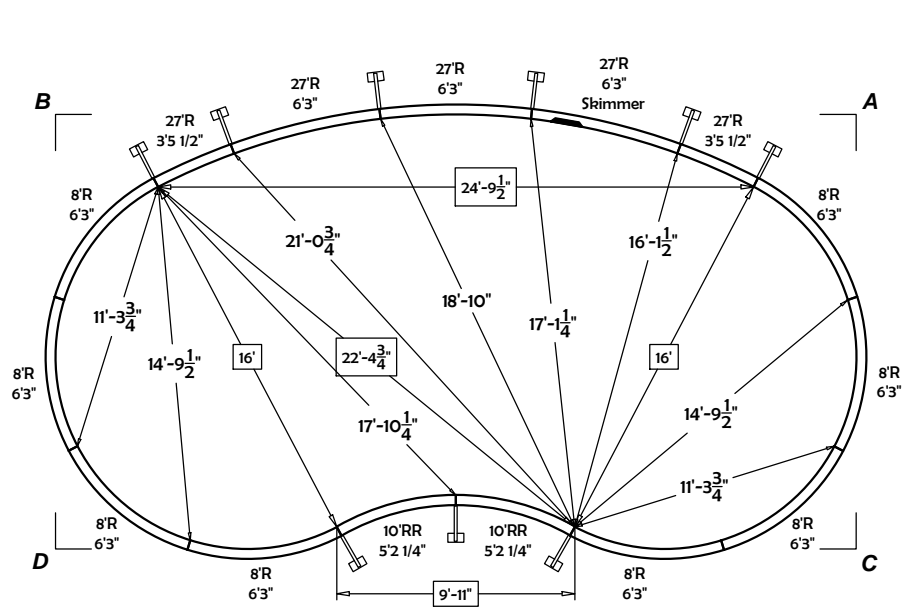
4'
4'

Perimeter	86'-5"	page 2 of 2
Surface Area	488.55 SF	
Volume	16900 gal	
Liner Sq. Ft.	533.6667 SF	

FROM A TO:	FROM B TO:	FROM C TO:	FROM D TO:
E 12'-10 1/2"	E 27'-3 1/2"	E 11'-3 3/4"	E 26'-7"
F 27'-3 1/2"	F 12'-10 1/2"	F 26'-7"	F 11'-3 3/4"
G 30'-9 1/4"	G 30'-9 1/4"	G 18'-4 3/4"	G 18'-4 3/4"
N 31'-8 3/4"	N 31'-8 3/4"	N 18'-10 3/4"	N 18'-10 3/4"
W 20'-9 1/2"	W 27'-7 1/2"	W 11'-9"	W 21'-7 3/4"
X 5'-2 3/4"	X 29'-2 3/4"	X 15'-8"	X 32'-9"
Y 29'-2 3/4"	Y 5'-2 3/4"	Y 32'-9"	Y 15'-8"
Z 27'-7 1/2"	Z 20'-9 1/2"	Z 21'-7 3/4"	Z 11'-9"

A to D	37'-11 1/2"
B to C	

-- A-FRAME BRACE

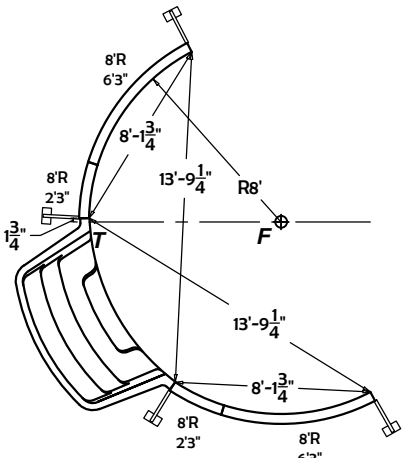


DIVING PERMITTED ONLY FROM DESIGNATED DIVING AREA.
 The bottom configuration shown conforms with current ISPS&C & ANSI / APSP / ICC suggested minimum standards for pools approved for use with manufactured diving equipment.

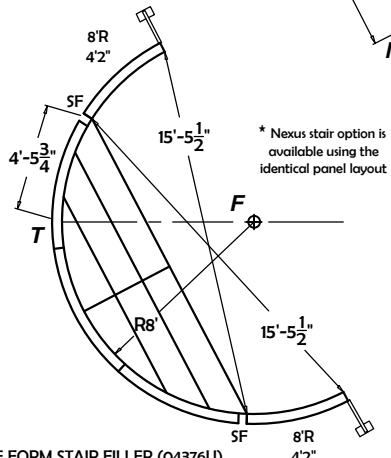
WARNING: Swimming pools can be dangerous if used improperly. Consult your dealer for information on safe use. It's the responsibility of town officials, builders and homeowners to follow safety recommendations of APSP/ANSI, local ordinances & equipment manufacturers.

- All work not specifically shown here is to be done in accordance with the requirements of the 2018 INTERNATIONAL SWIMMING POOL & SPA CODE, APSP/ANSI/ICC-5 2011 STANDARDS FOR RESIDENTIAL INGROUND SWIMMING POOLS, and all other local building codes.
- Construction Drawing: Different methods and precautions may be dictated by various ground conditions. This is to be determined by and is the responsibility of the contractor who is not an agent of the manufacturer of the component parts.
- Depth and shape of the pool meet minimum standards of the 2018 INTERNATIONAL SWIMMING POOL & SPA CODE and the APSP/ANSI/ICC-5 2011 STANDARDS FOR RESIDENTIAL INGROUND SWIMMING POOLS.
- A means of entry & exit for the deep end & shallow end of the pool must be provided in accordance with 2018 INTERNATIONAL SWIMMING POOL & SPA CODE, section 809.
- Equipotential bonding must be provided in accordance with the NATIONAL ELECTRIC CODE, NFPA 70.
- All A-frame braces are to be contained within an 8" thick continuous poured concrete (2500 psi) perimeter collar.
- Backfill with clean earth, free of roots and debris.
- Finished bottom is to be 2" minimum of suitable material or undisturbed earth.
- 3" wide, 3" thick concrete deck is to be poured at a slope of 1/4" to 1' away from the pool.
- NO DIVING labels are to be installed around the perimeter of the pool.
- A safety line, with buoys, is to be permanently attached 10' to the shallow side of the point of first slope change.
- Suction entrapment avoidance to be installed in accordance with APSP/ANSI/ICC-7

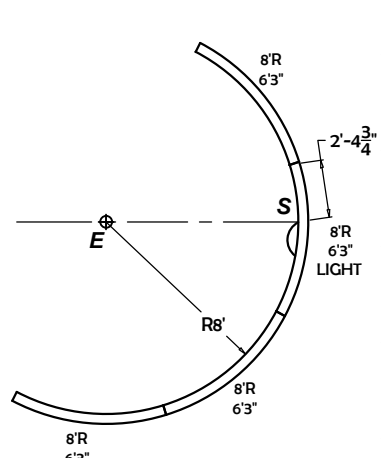
8' RADIUS PLASTIC STEP OPTION



8'R x 14'W STEEL STAIR OPTION



LIGHT PANEL OPTION



18' x 36' Left Kidney

Perimeter	93'-2"	page 1 of 2	No Stairs	8'R x 14'W Stair	8'R Plastic Step
Surface Area	560.49 SF				
Volume	18650 gal				
Liner Sq. Ft.	643.8750 SF				

ITEM #	PART DESCRIPTION	No Stairs	8'R x 14'W Stair	8'R Plastic Step
04156	27' Radius Panel - 6'3"	3	3	3
04158	27' Radius Skimmer - 6'3"	1	1	1
04443	27' Radius Panel - 3'5 1/2"	1	1	1
04170	9' Radius Panel - 6'3"	3	3	3
04176	9' Radius Return - 6'3"	1	1	1
04442	9' Radius Panel - 4'7 1/4"	1	1	1
04162	8' Radius Panel - 6'3"	3		1
04167	8' Radius Return - 6'3"	1		1
04441	8' Radius Panel - 4'2"		2	
04164	8' Radius Panel - 2'3"			2
04165	8' Reverse Radius - 6'3"	1	1	1
04166	8' Reverse Radius - 3'4 1/2"	1	1	1
----	Adjustable A-Frame	9	9	11
04010B	8'R x 14'W Steel Stair		1	
07418RSNR	8' Radius Step-n-Rest			1
PAK-75	Nut & Bolt Pak - 75 pcs			
PAK-100	Nut & Bolt Pak - 100 pcs	2	2	2
04444	9' Radius Light - 6'3"			
04173	9' Radius Light - 3'1 1/2"			

ALL DIMENSIONS ARE FINISH DIMENSIONS

** see page A5 (full steel) & A6 (Nexus) for Radius Inside Steel Stair Filler specifications
** Coping Layouts are shown on pages A70 (Progressive) & A97 (CP2)

FROM A TO:
D 40'-10 1/4"
E 14'-0 1/4"
F 30'-0 3/4"
G 31'
H 10'-11"
H1 8'-10"
J 22'-9 3/4"
K 18'-9 1/2"
K1 22'-5 1/2"
L 31'-7 3/4"
M 32'-0 1/4"
N 31'-9 1/4"
S 11'-11 1/4"
T 35'-4 3/4"

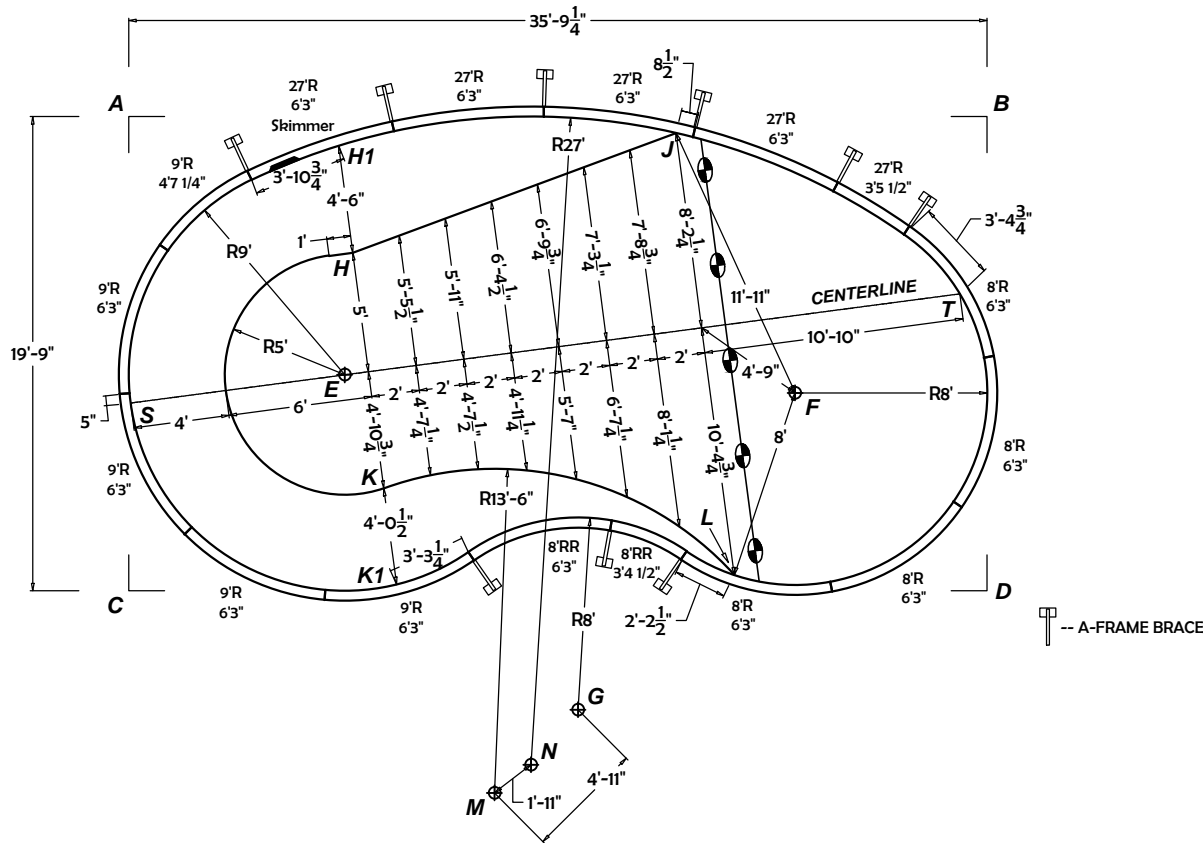
FROM B TO:
C 40'-10 1/4"
E 28'-8 3/4"
F 14'-0 1/4"
G 30'-0 1/4"
H 27'-0 1/4"
H1 27'-0 1/2"
J 12'-11 3/4"
K 29'-6 1/4"
K1 31'-4 3/4"
L 21'-9 3/4"
M 34'-10 1/4"
N 33'-0 1/4"
S 37'-7 1/2"
T 7'-5 3/4"

FROM C TO:
B 40'-10 1/4"
E 12'-8 3/4"
F 28'-11 1/2"
G 19'-4 1/4"
H 16'-10 3/4"
H1 20'-6"
J 29'-8 3/4"
K 11'-5 1/2"
K1 11'-2"
L 25'-2 3/4"
M 17'-4 3/4"
N 18'-3"
S 7'-10"
T 36'-9 1/4"

FROM D TO:
A 40'-10 1/4"
E 28'-2 3/4"
F 11'-6"
G 17'-9"
H 29'-11 1/4"
H1 32'-9 1/4"
J 23'-0 3/4"
K 25'-6"
K1 24'-7 1/4"
L 10'-6 3/4"
M 22'-2 1/4"
N 20'-4"
S 36'-6 1/2"
T 12'-5"

FROM S TO:
E 9'
F 27'-8 1/4"
G 22'-7 1/4"
H 11'-2 1/4"
H1 13'-9 1/2"
J 25'-4 1/4"
K 11'-1 3/4"
K1 13'-5"
L 26'-1 3/4"
M 22'-2 1/2"
N 22'-5 3/4"
T 34'-10"

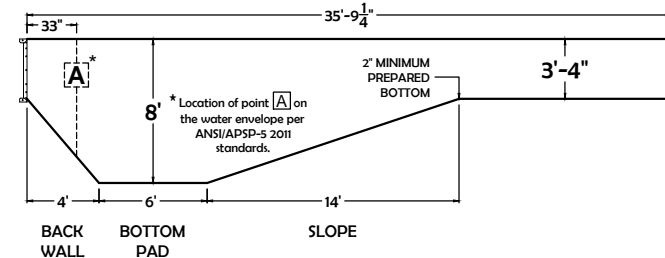
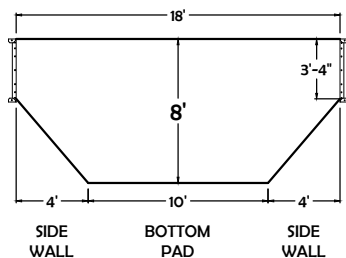
FROM T TO:
E 25'-10"
F 8'
G 23'-6 1/4"
H 25'-4"
H1 26'-7"
J 13'-7"
K 25'-3 3/4"
K1 26'-4 3/4"
L 15'-0 1/4"
M 28'-5"
N 26'-6 1/4"
S 34'-10"



DIVING PERMITTED ONLY FROM DESIGNATED DIVING AREA.
The bottom configuration shown conforms with current ISPS & ANSI / APSP / ICC suggested minimum standards for pools approved for use with manufactured diving equipment.

WARNING: Swimming pools can be dangerous if used improperly. Consult your dealer for information on safe use. It's the responsibility of town officials, builders and homeowners to follow safety recommendations of APSP/ANSI, local ordinances & equipment manufacturers.

- All work not specifically shown here is to be done in accordance with the requirements of the 2018 INTERNATIONAL SWIMMING POOL & SPA CODE, APSP/ANSI/ICC-5 2011 STANDARDS FOR RESIDENTIAL INGROUND SWIMMING POOLS, and all other local building codes.
- Construction Drawing: Different methods and precautions may be dictated by various ground conditions. This is to be determined by and is the responsibility of the contractor who is not an agent of the manufacturer of the component parts.
- Depth and shape of the pool meet minimum standards of the 2018 INTERNATIONAL SWIMMING POOL & SPA CODE and the APSP/ANSI/ICC-5 2011 STANDARDS FOR RESIDENTIAL INGROUND SWIMMING POOLS.
- A means of entry & exit for the deep end & shallow end of the pool must be provided in accordance with 2018 INTERNATIONAL SWIMMING POOL & SPA CODE, section 809.
- Equipotential bonding must be provided in accordance with the NATIONAL ELECTRIC CODE, NFPA 70.
- All A-frame braces are to be contained within an 8" thick continuous poured concrete (2500 psi) perimeter collar.
- Backfill with clean earth, free of roots and debris.
- Finished bottom is to be 2" minimum of suitable material or undisturbed earth.
- 3' wide, 3" thick concrete deck is to be poured at a slope of 1/4" to 1' away from the pool.
- NO DIVING labels are to be installed around the perimeter of the pool.
- A safety line, with buoys, is to be permanently attached 10' to the shallow side of the point of first slope change.
- Suction entrapment avoidance to be installed in accordance with APSP/ANSI/ICC-7



18' x 36' Left Kidney

ALL DIMENSIONS ARE FINISH DIMENSIONS

** see page A5 (full steel) & A6 (Nexus) for Radius Inside Steel Stair Filler specifications
 ** Coping Layouts are shown on pages A70 (Progressive) & A97 (CP2)



Perimeter	93'-2"	page 2 of 2
Surface Area	560.49 SF	
Volume	18650 gal	
Liner Sq. Ft.	643.8750 SF	

-- A-FRAME BRACE

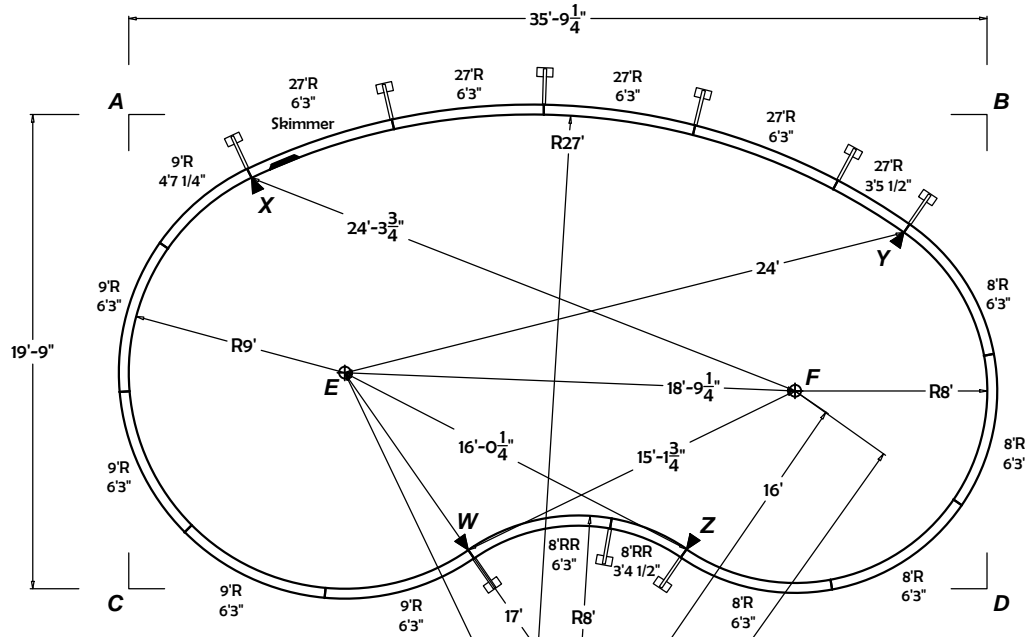
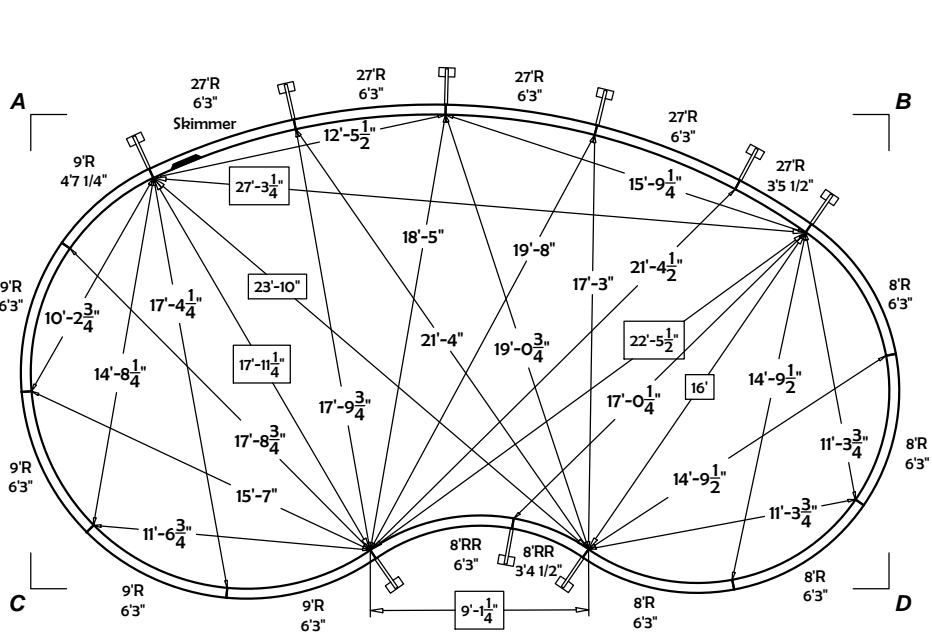
A to D	40'-10 1/4"
B to C	

FROM A TO:	TO:
E	14'-0 1/4"
F	30'-0 3/4"
G	3'
N	31'-9 1/4"
W	23'
X	5'-9"
Y	32'-8"
Z	29'-5 1/2"

FROM B TO:	TO:
E	28'-10 1/4"
F	14'-0 1/4"
G	30'-0 1/4"
N	33'-0 1/4"
W	28'-2 3/4"
X	30'-9"
Y	6'-0 1/4"
Z	22'-0 1/4"

FROM C TO:	TO:
E	12'-8 3/4"
F	28'-11 1/2"
G	19'-4 1/4"
N	18'-3"
W	14'-2 3/4"
X	17'-10 1/2"
Y	35'-6 1/2"
Z	23'-3 1/2"

FROM D TO:	TO:
E	28'-2 3/4"
F	11'-6"
G	17'-9"
N	20'-4"
W	21'-8 1/4"
X	35'-1 1/4"
Y	15'-3"
Z	12'-7 1/2"

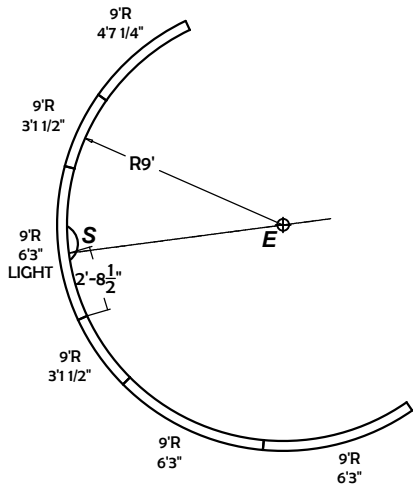


DIVING PERMITTED ONLY FROM DESIGNATED DIVING AREA.
 The bottom configuration shown conforms with current ISPS & ANSI / APSP / ICC suggested minimum standards for pools approved for use with manufactured diving equipment.

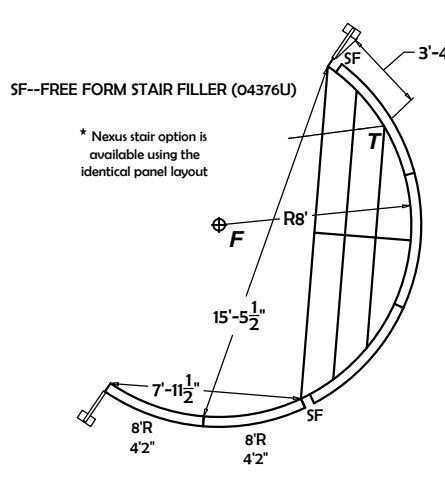
WARNING: Swimming pools can be dangerous if used improperly. Consult your dealer for information on safe use. It's the responsibility of town officials, builders and homeowners to follow safety recommendations of APSP/ANSI, local ordinances & equipment manufacturers.

- All work not specifically shown here is to be done in accordance with the requirements of the 2018 INTERNATIONAL SWIMMING POOL & SPA CODE, APSP/ANSI/ICC-5 2011 STANDARDS FOR RESIDENTIAL INGROUND SWIMMING POOLS, and all other local building codes.
- Construction Drawing: Different methods and precautions may be dictated by various ground conditions. This is to be determined by and is the responsibility of the contractor who is not an agent of the manufacturer of the component parts.
- Depth and shape of the pool meet minimum standards of the 2018 INTERNATIONAL SWIMMING POOL & SPA CODE and the APSP/ANSI/ICC-5 2011 STANDARDS FOR RESIDENTIAL INGROUND SWIMMING POOLS.
- A means of entry & exit for the deep end & shallow end of the pool must be provided in accordance with 2018 INTERNATIONAL SWIMMING POOL & SPA CODE, section 809.
- Equipotential bonding must be provided in accordance with the NATIONAL ELECTRIC CODE, NFPA 70.
- All A-frame braces are to be contained within an 8" thick continuous poured concrete (2500 psi) perimeter collar.
- Backfill with clean earth, free of roots and debris.
- Finished bottom is to be 2" minimum of suitable material or undisturbed earth.
- 3" wide, 3" thick concrete deck is to be poured at a slope of 1/4" to 1' away from the pool. NO DIVING labels are to be installed around the perimeter of the pool.
- A safety line, with buoys, is to be permanently attached 10' to the shallow side of the point of first slope change.
- Suction entrapment avoidance to be installed in accordance with APSP/ANSI/ICC-7

LIGHT PANEL OPTION

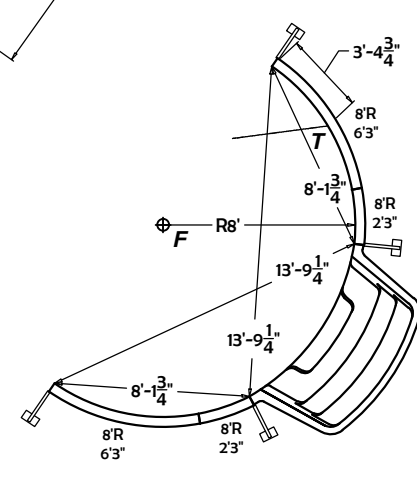


8' R x 14' W STEEL STAIR OPTION



* Nexus stair option is available using the identical panel layout

8' RADIUS PLASTIC STEP OPTION



18' x 36' Right Kidney

Perimeter	93'-2"	page				
Surface Area	560.49 SF	1 of 2				
Volume	18650 gal					
Liner Sq. Ft.	643.8750 SF					
ITEM #	PART DESCRIPTION	No Stairs	8'R x 14'W Stair	8'R Plastic Step		
04156	27' Radius Panel - 6'3"	3	3	3		
04158	27' Radius Skimmer - 6'3"	1	1	1		
04443	27' Radius Panel - 3'5 1/2"	1	1	1		
04170	9' Radius Panel - 6'3"	3	3	3		
04176	9' Radius Return - 6'3"	1	1	1		
04442	9' Radius Panel - 4'7 1/4"	1	1	1		
04162	8' Radius Panel - 6'3"	3		1		
04167	8' Radius Return - 6'3"	1		1		
04441	8' Radius Panel - 4'2"		2			
04164	8' Radius Panel - 2'3"			2		
04165	8' Reverse Radius - 6'3"	1	1	1		
04166	8' Reverse Radius - 3'4 1/2"	1	1	1		
----	Adjustable A-Frame	9	9	11		
04010B	8'R x 14'W Steel Stair		1			
07418RSNR	8' Radius Step-n-Rest			1		
PAK-75	Nut & Bolt Pak - 75 pcs					
PAK-100	Nut & Bolt Pak - 100 pcs	2	2	2		
04444	9' Radius Light - 6'3"					
04173	9' Radius Light - 3'1 1/2"					

ALL DIMENSIONS ARE FINISH DIMENSIONS

** see page A5 (full steel) & A6 (Nexus) for Radius Inside Steel Stair Filler specifications
 ** Coping Layouts are shown on pages A70 (Progressive) & A97 (CP2)

FROM A TO:	
D	40'-10 1/4"
E	14'-0 1/4"
F	30'-0 3/4"
G	31'
H	10'-11"
H1	8'-10"
J	22'-9 3/4"
K	18'-9 1/2"
K1	22'-5 1/2"
L	31'-7 3/4"
M	32'-0 1/4"
N	31'-9 1/4"
S	11'-11 1/4"
T	35'-4 3/4"

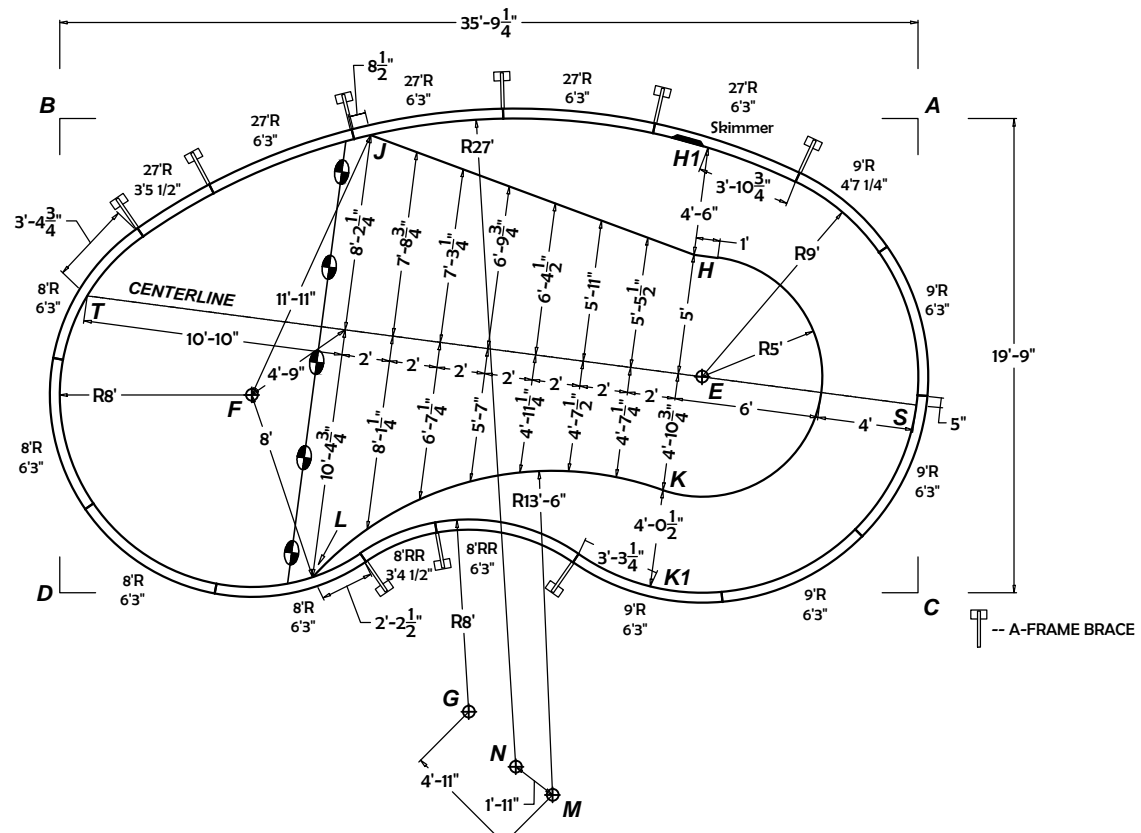
FROM B TO:	
C	40'-10 1/4"
E	28'-8 3/4"
F	14'-0 1/4"
G	30'-0 1/4"
H	27'-0 1/4"
H1	27'-0 1/2"
J	12'-11 3/4"
K	29'-6 1/4"
K1	31'-4 3/4"
L	21'-9 3/4"
M	34'-10 1/4"
N	33'-0 1/4"
S	37'-7 1/2"
T	7'-5 3/4"

FROM C TO:	
B	40'-10 1/4"
E	12'-8 3/4"
F	28'-11 1/2"
G	19'-4 1/4"
H	16'-10 3/4"
H1	20'-6"
J	29'-8 3/4"
K	11'-5 1/2"
K1	11'-2"
L	25'-2 3/4"
M	17'-4 3/4"
N	18'-3"
S	7'-10"
T	36'-9 1/4"

FROM D TO:	
A	40'-10 1/4"
E	28'-2 3/4"
F	11'-6"
G	17'-9"
H	29'-11 1/4"
H1	32'-9 1/4"
J	23'-0 3/4"
K	25'-6"
K1	24'-7 1/4"
L	10'-6 3/4"
M	22'-2 1/4"
N	20'-4"
S	36'-6 1/2"
T	12'-5"

FROM S TO:	
E	9'
F	27'-8 1/4"
G	22'-7 1/4"
H	11'-2 1/4"
H1	13'-9 1/2"
J	25'-4 1/4"
K	11'-1 3/4"
K1	13'-5"
L	26'-1 3/4"
M	22'-2 1/2"
N	22'-5 3/4"
T	34'-10"

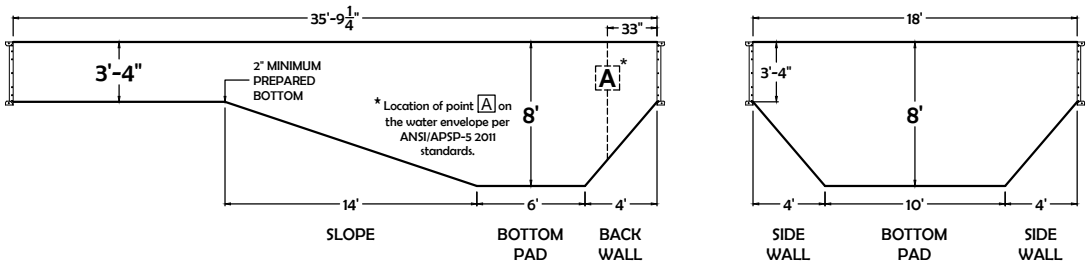
FROM T TO:	
E	25'-10"
F	8'
G	23'-6 1/4"
H	25'-4"
H1	26'-7"
J	13'-7"
K	25'-3 3/4"
K1	26'-4 3/4"
L	15'-0 1/4"
M	28'-5"
N	26'-6 1/4"
S	34'-10"



DIVING PERMITTED ONLY FROM DESIGNATED DIVING AREA.
 The bottom configuration shown conforms with current ISPS&C & ANSI / APSP / ICC suggested minimum standards for pools approved for use with manufactured diving equipment.

WARNING: Swimming pools can be dangerous if used improperly. Consult your dealer for information on safe use. It's the responsibility of town officials, builders and homeowners to follow safety recommendations of APSP/ANSI, local ordinances & equipment manufacturers.

- All work not specifically shown here is to be done in accordance with the requirements of the 2018 INTERNATIONAL SWIMMING POOL & SPA CODE, APSP/ANSI/ICC-5 2011 STANDARDS FOR RESIDENTIAL INGROUND SWIMMING POOLS, and all other local building codes.
- Construction Drawing: Different methods and precautions may be dictated by various ground conditions. This is to be determined by and is the responsibility of the contractor who is not an agent of the manufacturer of the component parts.
- Depth and shape of the pool meet minimum standards of the 2018 INTERNATIONAL SWIMMING POOL & SPA CODE and the APSP/ANSI/ICC-5 2011 STANDARDS FOR RESIDENTIAL INGROUND SWIMMING POOLS.
- A means of entry & exit for the deep end & shallow end of the pool must be provided in accordance with 2018 INTERNATIONAL SWIMMING POOL & SPA CODE, section 809.
- Equipotential bonding must be provided in accordance with the NATIONAL ELECTRIC CODE, NFPA 70.
- All A-frame braces are to be contained within an 8" thick continuous poured concrete (2500 psi) perimeter collar.
- Backfill with clean earth, free of roots and debris.
- Finished bottom is to be 2" minimum of suitable material or undisturbed earth.
- 3' wide, 3" thick concrete deck is to be poured at a slope of 1/4" to 1' away from the pool. NO DIVING labels are to be installed around the perimeter of the pool.
- A safety line, with buoys, is to be permanently attached 10' to the shallow side of the point of first slope change.
- Suction entrapment avoidance to be installed in accordance with APSP/ANSI/ICC-7



18' x 36' Right Kidney

ALL DIMENSIONS ARE FINISH DIMENSIONS

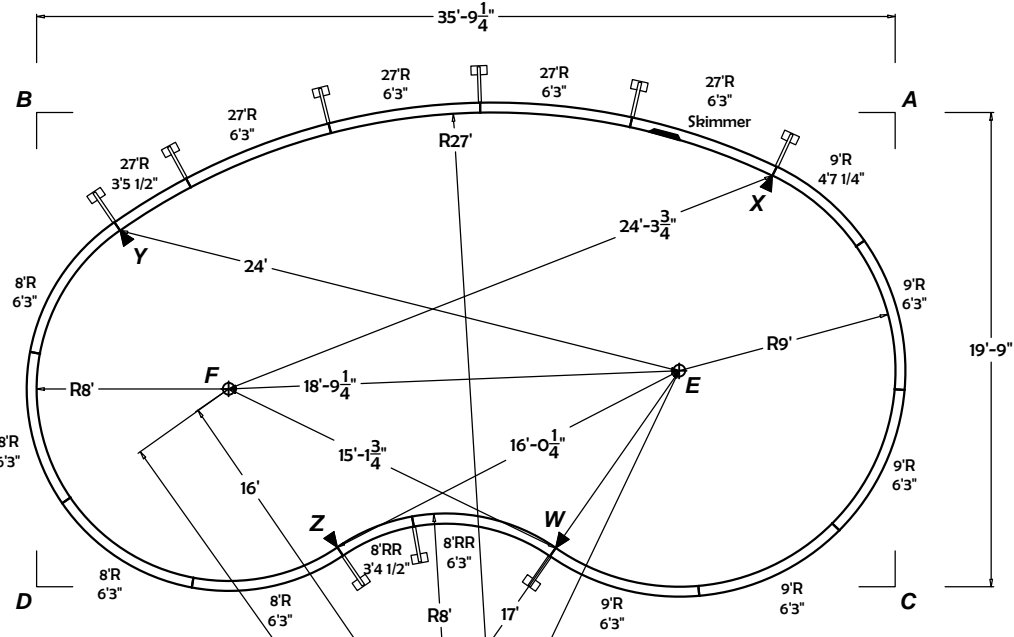
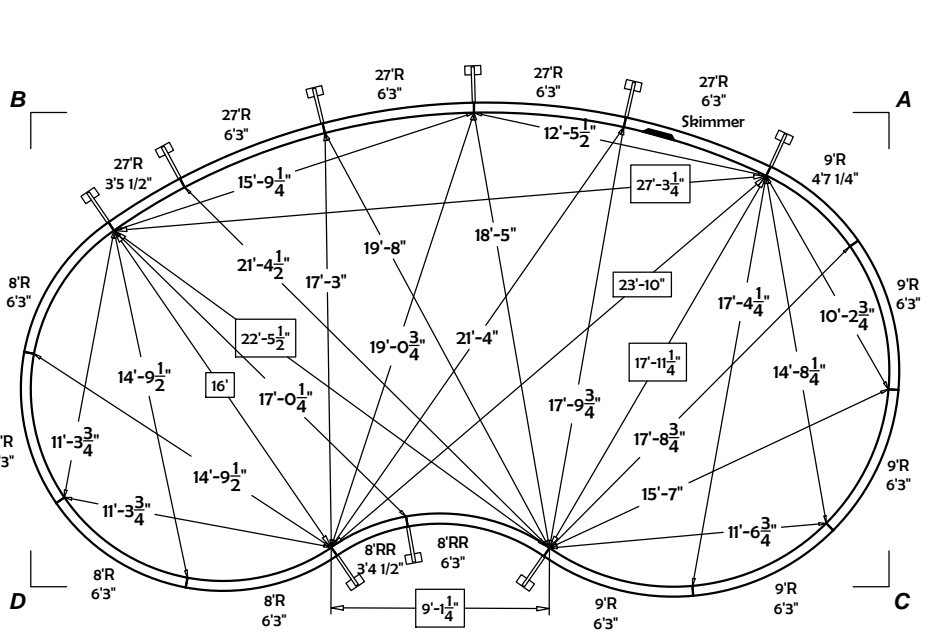
** see page A5 (full steel) & A6 (Nexus) for Radius Inside Steel Stair Filler specifications
 ** Coping Layouts are shown on pages A70 (Progressive) & A97 (CP2)

Perimeter	93'-2"	page 2 of 2
Surface Area	560.49 SF	
Volume	18650 gal	
Liner Sq. Ft.	643.8750 SF	

-- A-FRAME BRACE

A to D	40'-10 1/4"
B to C	

FROM A TO:	FROM B TO:	FROM C TO:	FROM D TO:
E 14'-0 1/4"	E 28'-10 1/4"	E 12'-8 3/4"	E 28'-2 3/4"
F 30'-0 3/4"	F 14'-0 1/4"	F 28'-11 1/2"	F 11'-6"
G 3'	G 30'-0 1/4"	G 19'-4 1/4"	G 17'-9"
N 31'-9 1/4"	N 33'-0 1/4"	N 18'-3"	N 20'-4"
W 23'	W 28'-2 3/4"	W 14'-2 3/4"	W 21'-8 1/4"
X 5'-9"	X 30'-9"	X 17'-10 1/2"	X 35'-1 1/4"
Y 32'-8"	Y 6'-0 1/4"	Y 35'-6 1/2"	Y 15'-3"
Z 29'-5 1/2"	Z 22'-0 1/4"	Z 23'-3 1/2"	Z 12'-7 1/2"

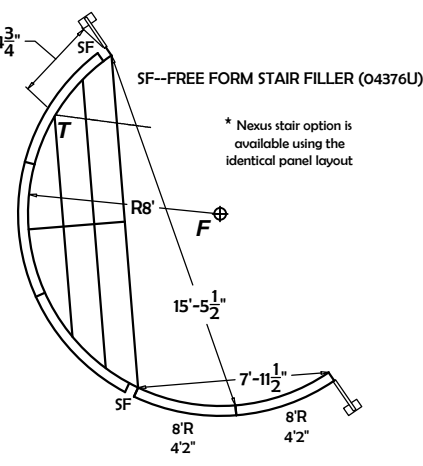


DIVING PERMITTED ONLY FROM DESIGNATED DIVING AREA.
 The bottom configuration shown conforms with current ISPS & ANSI / APSP / ICC suggested minimum standards for pools approved for use with manufactured diving equipment.

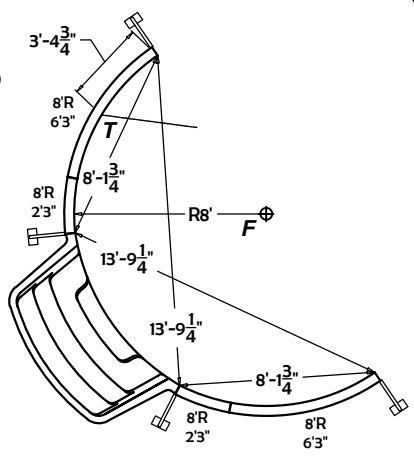
WARNING: Swimming pools can be dangerous if used improperly. Consult your dealer for information on safe use. It's the responsibility of town officials, builders and homeowners to follow safety recommendations of APSP/ANSI, local ordinances & equipment manufacturers.

- All work not specifically shown here is to be done in accordance with the requirements of the 2018 INTERNATIONAL SWIMMING POOL & SPA CODE, APSP/ANSI/ICC-5 2011 STANDARDS FOR RESIDENTIAL INGROUND SWIMMING POOLS, and all other local building codes.
- Construction Drawing: Different methods and precautions may be dictated by various ground conditions. This is to be determined by and is the responsibility of the contractor who is not an agent of the manufacturer of the component parts.
- Depth and shape of the pool meet minimum standards of the 2018 INTERNATIONAL SWIMMING POOL & SPA CODE and the APSP/ANSI/ICC-5 2011 STANDARDS FOR RESIDENTIAL INGROUND SWIMMING POOLS.
- A means of entry & exit for the deep end & shallow end of the pool must be provided in accordance with 2018 INTERNATIONAL SWIMMING POOL & SPA CODE, section 809.
- Equipotential bonding must be provided in accordance with the NATIONAL ELECTRIC CODE, NFPA 70.
- All A-frame braces are to be contained within an 8" thick continuous poured concrete (2500 psi) perimeter collar.
- Backfill with clean earth, free of roots and debris.
- Finished bottom is to be 2" minimum of suitable material or undisturbed earth.
- 3" wide, 3" thick concrete deck is to be poured at a slope of 1/4" to 1' away from the pool.
- NO DIVING labels are to be installed around the perimeter of the pool.
- A safety line, with buoys, is to be permanently attached 10' to the shallow side of the point of first slope change.
- Suction entrapment avoidance to be installed in accordance with APSP/ANSI/ICC-7

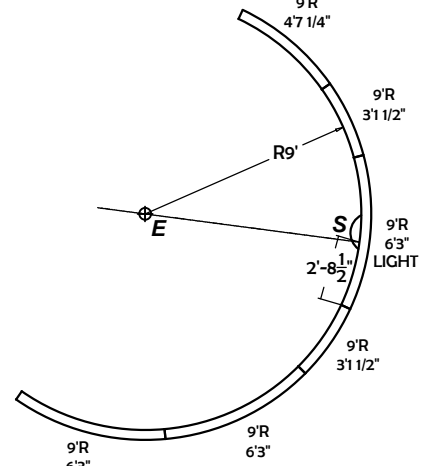
8'R x 14'W STEEL STAIR OPTION



8' RADIUS PLASTIC STEP OPTION



LIGHT PANEL OPTION



20' x 38' Left

Kidney

Perimeter	97'-8"	page	
Surface Area	622.82 SF	1 of 2	
Volume	20600 gal		
Liner Sq. Ft.	747.5000 SF		

ITEM #	PART DESCRIPTION	No. Stairs	8'R x 14'W Stair	8'R Plastic Step
04156	27' Radius Panel - 6'3"	3	4	3
04158	27' Radius Skimmer - 6'3"	1	1	1
04157	27' Radius Return - 6'3"	1	1	1
04159	10' Radius Panel - 6'3"	4	4	4
04160	10' Radius Return - 6'3"	1	1	1
04167	8' Radius Return - 6'3"	4	2	2
04441	8' Radius Panel - 4'2"		2	
04164	8' Radius Panel - 2'3"		2	
04165	8' Reverse Radius - 6'3"	1	1	1
04166	8' Reverse Radius - 3'4 1/2"	1	1	1
----	Adjustable A-Frame	9	9	11
04010B	8'R x 14'W Steel Stair	1		
07418RSNR	8' Radius Step-n-Rest		1	
PAK-75	Nut & Bolt Pak - 75 pcs			
PAK-100	Nut & Bolt Pak - 100 pcs	2	2	2
04161	10' Radius Light - 6'3"			

DIVING PERMITTED ONLY FROM DESIGNATED DIVING AREA.
 The bottom configuration shown conforms with current ISPSC & ANSI / APSP / ICC suggested minimum standards for pools approved for use with manufactured diving equipment.

WARNING: Swimming pools can be dangerous if used improperly. Consult your dealer for information on safe use. It's the responsibility of town officials, builders and homeowners to follow safety recommendations of APSP/ANSI, local ordinances & equipment manufacturers.

- All work not specifically shown here is to be done in accordance with the requirements of the 2018 INTERNATIONAL SWIMMING POOL & SPA CODE, APSP/ANSI/ICC-5 2011 STANDARDS FOR RESIDENTIAL INGROUND SWIMMING POOLS, and all other local building codes.
- Construction Drawing: Different methods and precautions may be dictated by various ground conditions. This is to be determined by and is the responsibility of the contractor who is not an agent of the manufacturer of the component parts.
- Depth and shape of the pool meet minimum standards of the 2018 INTERNATIONAL SWIMMING POOL & SPA CODE and the APSP/ANSI/ICC-5 2011 STANDARDS FOR RESIDENTIAL INGROUND SWIMMING POOLS.
- A means of entry & exit for the deep end & shallow end of the pool must be provided in accordance with 2018 INTERNATIONAL SWIMMING POOL & SPA CODE, section 809.
- Equipotential bonding must be provided in accordance with the NATIONAL ELECTRIC CODE, NFPA 70.
- All A-frame braces are to be contained within an 8" thick continuous poured concrete (2500 psi) perimeter collar.
- Backfill with clean earth, free of roots and debris.
- Finished bottom is to be 2" minimum of suitable material or undisturbed earth.
- 3" wide, 3" thick concrete deck is to be poured at a slope of 1/4" to 1' away from the pool. NO DIVING labels are to be installed around the perimeter of the pool.
- A safety line, with buoys, is to be permanently attached 10' to the shallow side of the point of first slope change.
- Suction entrapment avoidance to be installed in accordance with APSP/ANSI/ICC-7

ALL DIMENSIONS ARE FINISH DIMENSIONS

** see page A5 (full steel) & A6 (Nexus) for Radius Inside Steel Stair Filler specifications
 ** Coping Layouts are shown on pages A70 (Progressive) & A97 (CP2)

FROM A TO:

D	43'-3 1/4"
E	15'-5 1/2"
F	31'-7 3/4"
G	33'-5 1/2"
H	10'-4 1/4"
H1	7'-8 1/4"
J	21'-4 1/2"
K	21'-0 1/2"
K1	24'-10 1/2"
L	32'-9 1/4"
M	36'-10 1/4"
N	32'-4 3/4"
S	14'-4 3/4"
T	34'-5 1/2"

FROM B TO:

C	43'-3 1/4"
E	29'-9 3/4"
F	14'-3"
G	30'-2 3/4"
H	29'-6 3/4"
H1	30'-0 3/4"
J	16'
K	31'-2 3/4"
K1	32'-9 1/4"
L	22'-1 1/2"
M	38'-1"
N	33'-3 1/2"
S	39'-8 3/4"
T	6'-3"

FROM C TO:

B	43'-3 1/4"
E	14'-1 3/4"
F	31'-0 1/4"
G	21'-9 1/2"
H	17'-10 3/4"
H1	21'
J	30'-4 1/2"
K	12'-3 3/4"
K1	12'-7 1/4"
L	26'-7 3/4"
M	20'-5 1/2"
N	18'-7 3/4"
S	7'-4 3/4"
T	37'-10"

FROM D TO:

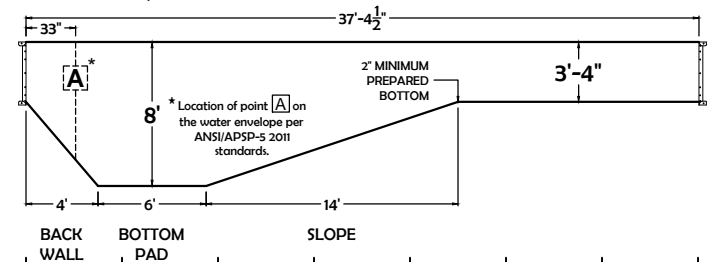
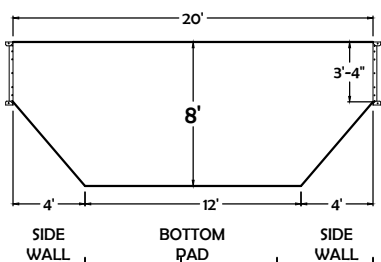
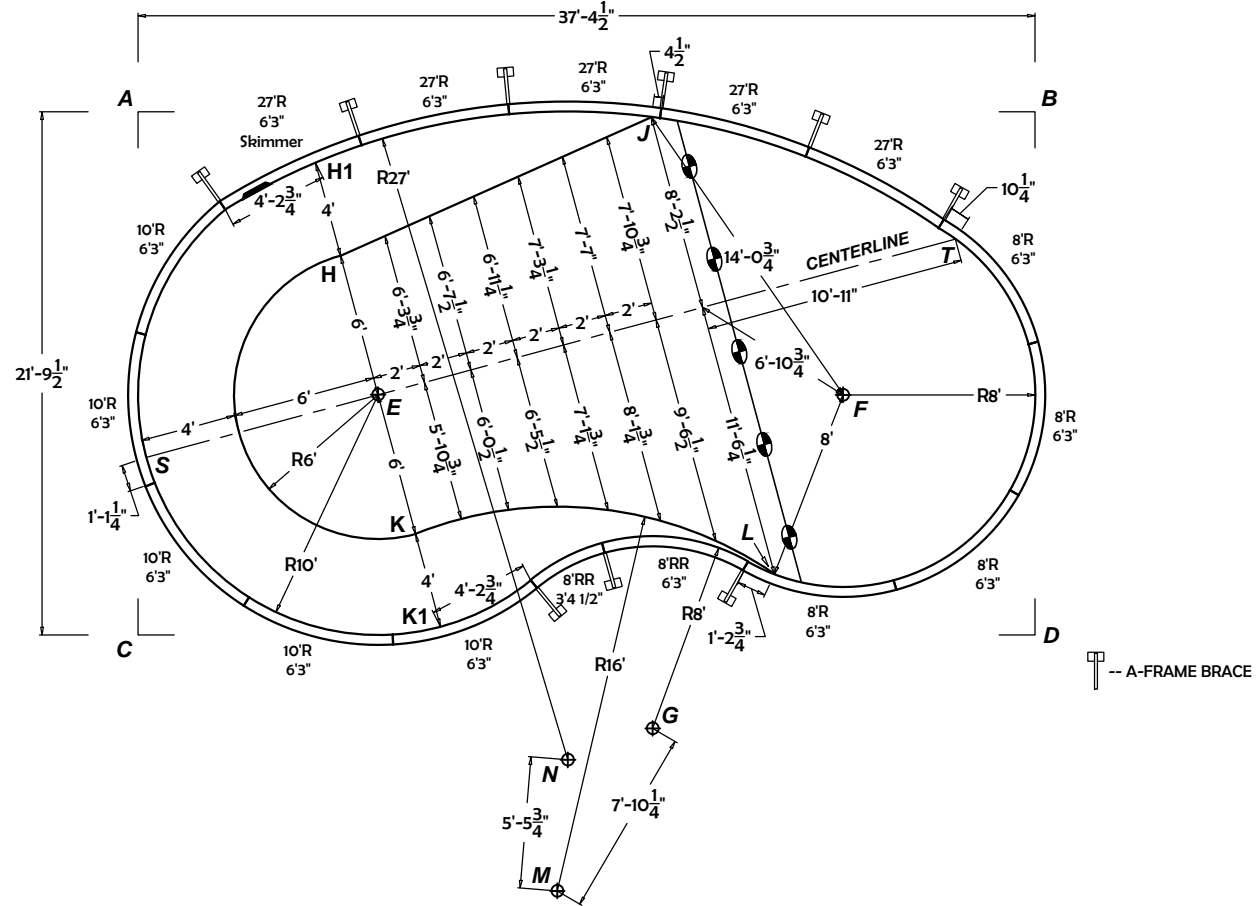
A	43'-3 1/4"
E	29'-1 3/4"
F	12'-9 3/4"
G	16'-4 3/4"
H	32'-11 1/2"
H1	35'-10 1/4"
J	26'-10 1/4"
K	26'-1 3/4"
K1	24'-9 1/4"
L	11'-1 3/4"
M	22'-7"
N	20'-1 3/4"
S	37'-9 1/4"
T	16'-9 3/4"

FROM S TO:

E	10'
F	29'-1 3/4"
G	23'-11 1/4"
H	11'-8"
H1	14'-1 3/4"
J	25'-4 1/4"
K	11'-8"
K1	14'-1 3/4"
L	26'-7 1/2"
M	24'-10 1/2"
N	21'-7 1/4"
T	34'-11"

FROM T TO:

E	24'-11"
F	8'
G	23'-11 3/4"
H	25'-7 1/2"
H1	26'-10 1/4"
J	13'-7 3/4"
K	25'-7 1/2"
K1	26'-10 1/4"
L	15'-10 1/2"
M	31'-9 3/4"
N	27'-0 1/2"
S	34'-11"



20' x 38' Left Kidney

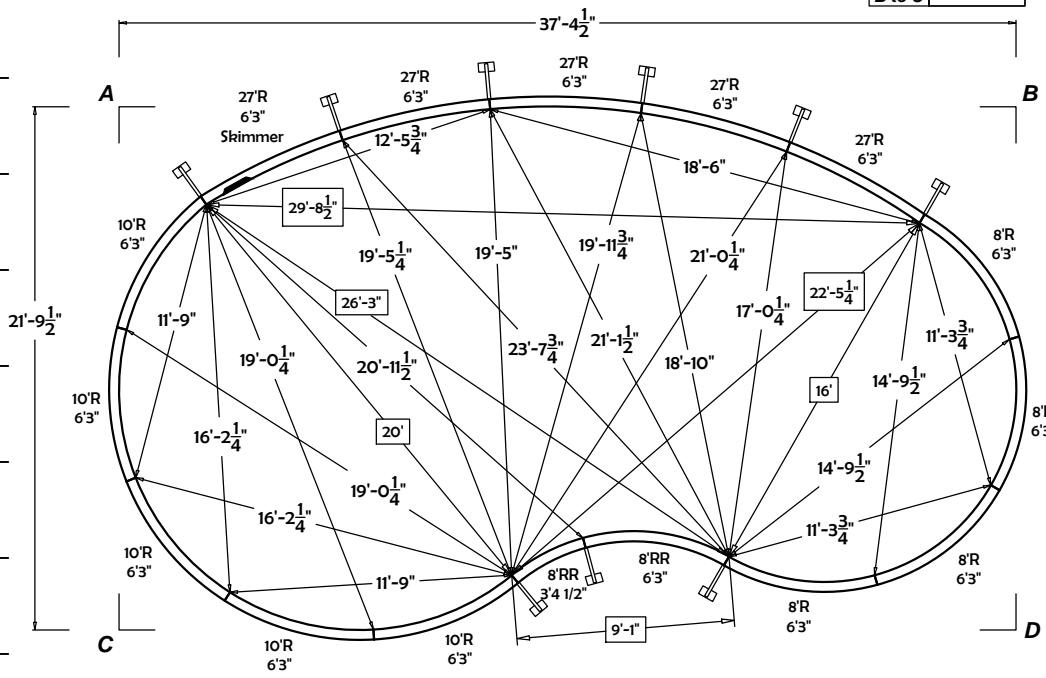
ALL DIMENSIONS
ARE FINISH
DIMENSIONS

** see page A5 (full steel) & A6 (Nexus) for Radius
Inside Steel Stair Filler specifications
** Coping Layouts are shown on
pages A70 (Progressive) & A97 (CP2)

Perimeter	97'-8"	page 2 of 2
Surface Area	622.82 SF	
Volume	20600 gal	
Liner Sq. Ft.	747.5000 SF	

-- A-FRAME BRACE

A to D	43'-3 1/4"
B to C	



FROM A TO:

E	15'-5 1/2"
F	31'-7 3/4"
G	33'-5 1/2"
N	32'-4 3/4"
W	25'-5 1/2"
X	5'-5 1/2"
Y	33'-8 1/4"
Z	31'-7"

FROM B TO:

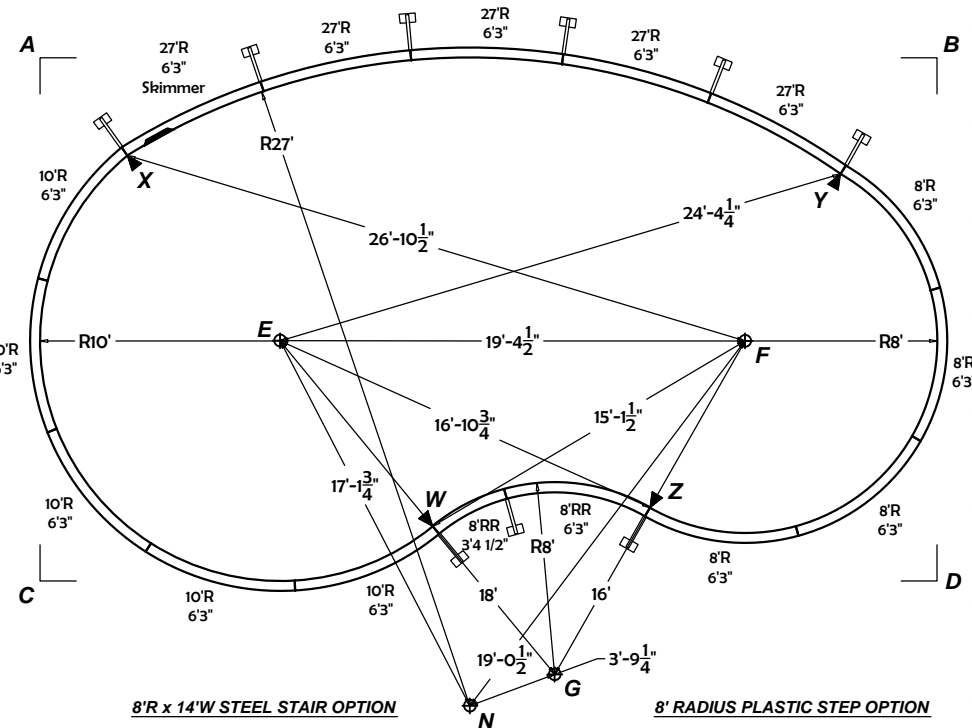
E	29'-9 3/4"
F	14'-3"
G	30'-2 3/4"
N	33'-3 1/2"
W	28'-8 1/4"
X	33'-11 3/4"
Y	6'-3 3/4"
Z	22'-2 3/4"

FROM C TO:

E	14'-1 3/4"
F	31'-0 1/4"
G	21'-9 1/2"
N	18'-7 3/4"
W	16'-6 1/4"
X	18'-1"
Y	37'-4 3/4"
Z	25'-7"

FROM D TO:

E	29'-1 3/4"
F	12'-9 3/4"
G	16'-4 3/4"
N	20'-1 3/4"
W	21'-1 3/4"
X	38'-1 1/4"
Y	17'-5"
Z	12'-4 1/4"

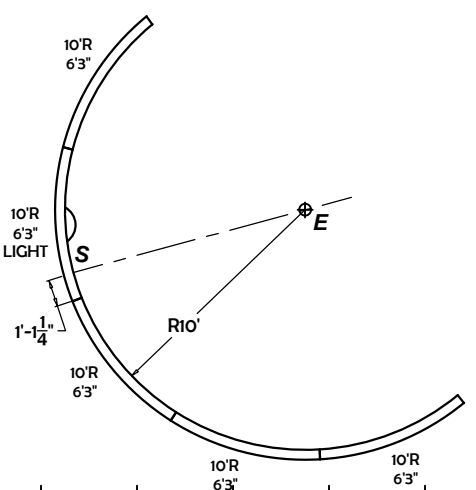


DIVING PERMITTED ONLY FROM DESIGNATED DIVING AREA.
The bottom configuration shown conforms with current ISPS & ANSI / APSP / ICC suggested minimum standards for pools approved for use with manufactured diving equipment.

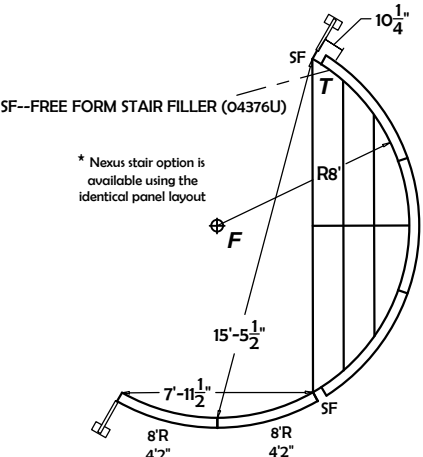
WARNING: Swimming pools can be dangerous if used improperly. Consult your dealer for information on safe use. It's the responsibility of town officials, builders and homeowners to follow safety recommendations of APSP/ANSI, local ordinances & equipment manufacturers.

- All work not specifically shown here is to be done in accordance with the requirements of the 2018 INTERNATIONAL SWIMMING POOL & SPA CODE, APSP/ANSI/ICC-5 2011 STANDARDS FOR RESIDENTIAL INGROUND SWIMMING POOLS, and all other local building codes.
- Construction Drawing: Different methods and precautions may be dictated by various ground conditions. This is to be determined by and is the responsibility of the contractor who is not an agent of the manufacturer of the component parts.
- Depth and shape of the pool meet minimum standards of the 2018 INTERNATIONAL SWIMMING POOL & SPA CODE and the APSP/ANSI/ICC-5 2011 STANDARDS FOR RESIDENTIAL INGROUND SWIMMING POOLS.
- A means of entry & exit for the deep end & shallow end of the pool must be provided in accordance with 2018 INTERNATIONAL SWIMMING POOL & SPA CODE, section 809.
- Equipotential bonding must be provided in accordance with the NATIONAL ELECTRIC CODE, NFPA 70.
- All A-frame braces are to be contained within an 8" thick continuous poured concrete (2500 psi) perimeter collar.
- Backfill with clean earth, free of roots and debris.
- Finished bottom is to be 2" minimum of suitable material or undisturbed earth.
- 3" wide, 3" thick concrete deck is to be poured at a slope of 1/4" to 1' away from the pool.
- NO DIVING labels are to be installed around the perimeter of the pool.
- A safety line, with buoys, is to be permanently attached 10' to the shallow side of the point of first slope change.
- Suction entrapment avoidance to be installed in accordance with APSP/ANSI/ICC-7

LIGHT PANEL OPTION

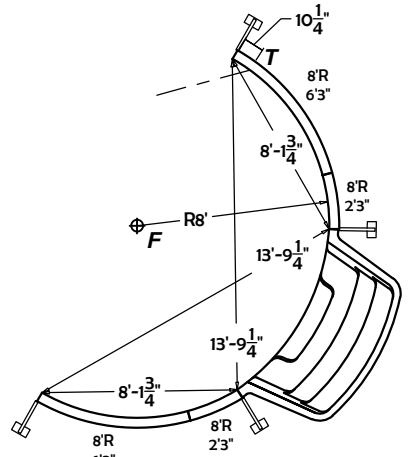


8' R x 14' W STEEL STAIR OPTION



* Nexus stair option is available using the identical panel layout

8' RADIUS PLASTIC STEP OPTION



20' x 38' Right Kidney

Perimeter	97'-8"	page	
Surface Area	622.82 SF	1 of 2	
Volume	20600 gal		
Liner Sq. Ft.	747.5000 SF		

ITEM #	PART DESCRIPTION	No. Stairs	8'R x 14'W Stair	8'R Plastic Step
04156	27' Radius Panel - 6'3"	3	4	3
04158	27' Radius Skimmer - 6'3"	1	1	1
04157	27' Radius Return - 6'3"	1	1	
04159	10' Radius Panel - 6'3"	4	4	4
04160	10' Radius Return - 6'3"	1	1	1
04167	8' Radius Return - 6'3"	4		2
04441	8' Radius Panel - 4'2"		2	
04164	8' Radius Panel - 2'3"			2
04165	8' Reverse Radius - 6'3"	1	1	1
04166	8' Reverse Radius - 3'4 1/2"	1	1	1
----	Adjustable A-Frame	9	9	11
04010B	8'R x 14'W Steel Stair	1		
07418R5NR	8' Radius Step-n-Rest		1	
PAK-75	Nut & Bolt Pak - 75 pcs			
PAK-100	Nut & Bolt Pak - 100 pcs	2	2	2
04161	10' Radius Light - 6'3"			

ALL DIMENSIONS ARE FINISH DIMENSIONS

** see page A5 (full steel) & A6 (Nexus) for Radius Inside Steel Stair Filler specifications
** Coping Layouts are shown on pages A70 (Progressive) & A97 (CP2)

FROM A TO:	
D	43'-3 1/4"
E	15'-5 1/2"
F	31'-7 3/4"
G	33'-5 1/2"
H	10'-4 1/4"
H1	7'-8 1/4"
J	21'-4 1/2"
K	21'-0 1/2"
K1	24'-10 1/2"
L	32'-9 1/4"
M	36'-10 1/4"
N	32'-4 3/4"
S	14'-4 3/4"
T	34'-5 1/2"

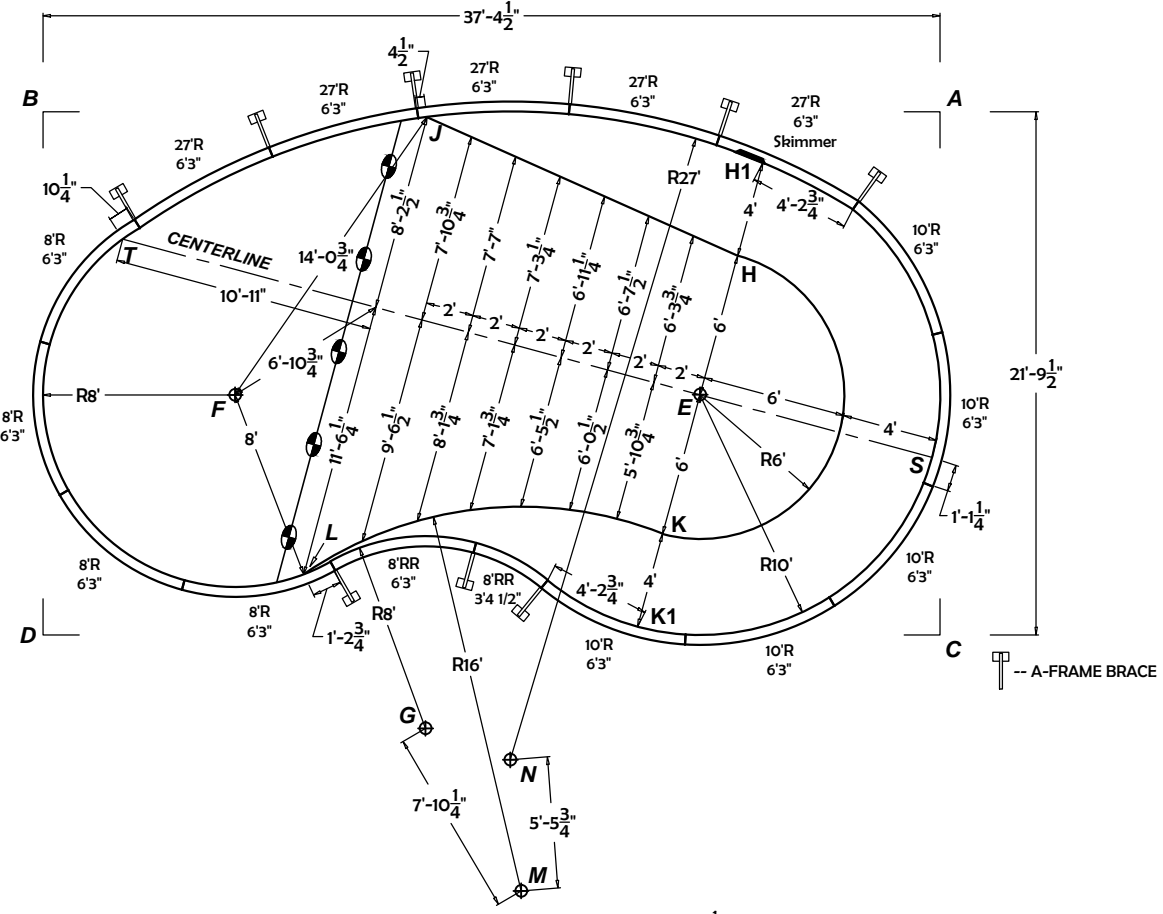
FROM B TO:	
C	43'-3 1/4"
E	29'-9 3/4"
F	14'-3"
G	30'-2 3/4"
H	29'-6 3/4"
H1	30'-0 3/4"
J	16'
K	31'-2 3/4"
K1	32'-9 1/4"
L	22'-1 1/2"
M	38'-1"
N	33'-3 1/2"
S	39'-8 3/4"
T	6'-3"

FROM C TO:	
B	43'-3 1/4"
E	14'-1 3/4"
F	31'-0 1/4"
G	21'-9 1/2"
H	17'-10 3/4"
H1	21'
J	30'-4 1/2"
K	12'-3 3/4"
K1	12'-7 1/4"
L	26'-7 3/4"
M	20'-5 1/2"
N	18'-7 3/4"
S	7'-4 3/4"
T	37'-10"

FROM D TO:	
A	43'-3 1/4"
E	29'-1 3/4"
F	12'-9 3/4"
G	16'-4 3/4"
H	32'-11 1/2"
H1	35'-10 1/4"
J	26'-10 1/4"
K	26'-1 3/4"
K1	24'-9 1/4"
L	11'-1 3/4"
M	22'-7"
N	20'-2 3/4"
S	37'-9 1/4"
T	16'-9 3/4"

FROM S TO:	
E	10'
F	29'-1 3/4"
G	23'-11 1/4"
H	11'-8"
H1	14'-1 3/4"
J	25'-4 1/4"
K	11'-8"
K1	14'-1 3/4"
L	26'-7 1/2"
M	24'-10 1/2"
N	21'-7 1/4"
T	34'-11"

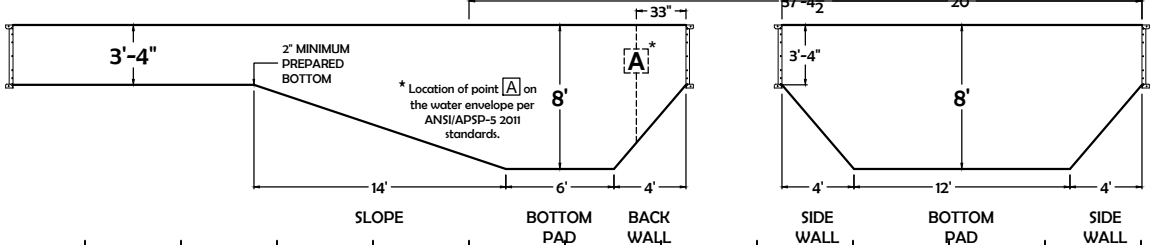
FROM T TO:	
E	24'-11"
F	8'
G	23'-11 3/4"
H	25'-7 1/2"
H1	26'-10 1/4"
J	13'-7 3/4"
K	25'-7 1/2"
K1	26'-10 1/4"
L	15'-10 1/2"
M	31'-9 3/4"
N	27'-0 1/2"
S	34'-11"



DIVING PERMITTED ONLY FROM DESIGNATED DIVING AREA.
The bottom configuration shown conforms with current ISPSC & ANSI / APSP / ICC suggested minimum standards for pools approved for use with manufactured diving equipment.

WARNING: Swimming pools can be dangerous if used improperly. Consult your dealer for information on safe use. It's the responsibility of town officials, builders and homeowners to follow safety recommendations of APSP/ANSI, local ordinances & equipment manufacturers.

- All work not specifically shown here is to be done in accordance with the requirements of the 2018 INTERNATIONAL SWIMMING POOL & SPA CODE, APSP/ANSI/ICC-5 2011 STANDARDS FOR RESIDENTIAL INGROUND SWIMMING POOLS, and all other local building codes.
- Construction Drawing: Different methods and precautions may be dictated by various ground conditions. This is to be determined by and is the responsibility of the contractor who is not an agent of the manufacturer of the component parts.
- Depth and shape of the pool meet minimum standards of the 2018 INTERNATIONAL SWIMMING POOL & SPA CODE and the APSP/ANSI/ICC-5 2011 STANDARDS FOR RESIDENTIAL INGROUND SWIMMING POOLS.
- A means of entry & exit for the deep end & shallow end of the pool must be provided in accordance with 2018 INTERNATIONAL SWIMMING POOL & SPA CODE, section 809.
- Equipotential bonding must be provided in accordance with the NATIONAL ELECTRIC CODE, NFPA 70.
- All A-frame braces are to be contained within an 8" thick continuous poured concrete (2500 psi) perimeter collar.
- Backfill with clean earth, free of roots and debris.
- Finished bottom is to be 2" minimum of suitable material or undisturbed earth.
- 3" wide, 3" thick concrete deck is to be poured at a slope of 1/8" to 1' away from the pool.
- NO DIVING labels are to be installed around the perimeter of the pool.
- A safety line, with buoys, is to be permanently attached 10' to the shallow side of the point of first slope change.
- Suction entrapment avoidance to be installed in accordance with APSP/ANSI/ICC-7



20' x 38' Right Kidney

ALL DIMENSIONS ARE FINISH DIMENSIONS

** see page A5 (full steel) & A6 (Nexus) for Radius Inside Steel Stair Filler specifications
 ** Coping Layouts are shown on pages A70 (Progressive) & A97 (CP2)



Perimeter	97'-8"	page 2 of 2
Surface Area	622.82 SF	
Volume	20600 gal	
Liner Sq. Ft.	747.5000 SF	

-- A-FRAME BRACE

A to D	43'-3 1/4"
B to C	

FROM A TO:

E	15'-5 1/2"
F	31'-7 3/4"
G	33'-5 1/2"
N	32'-4 3/4"
W	25'-5 1/2"
X	5'-5 1/2"
Y	33'-8 1/4"
Z	31'-7"

FROM B TO:

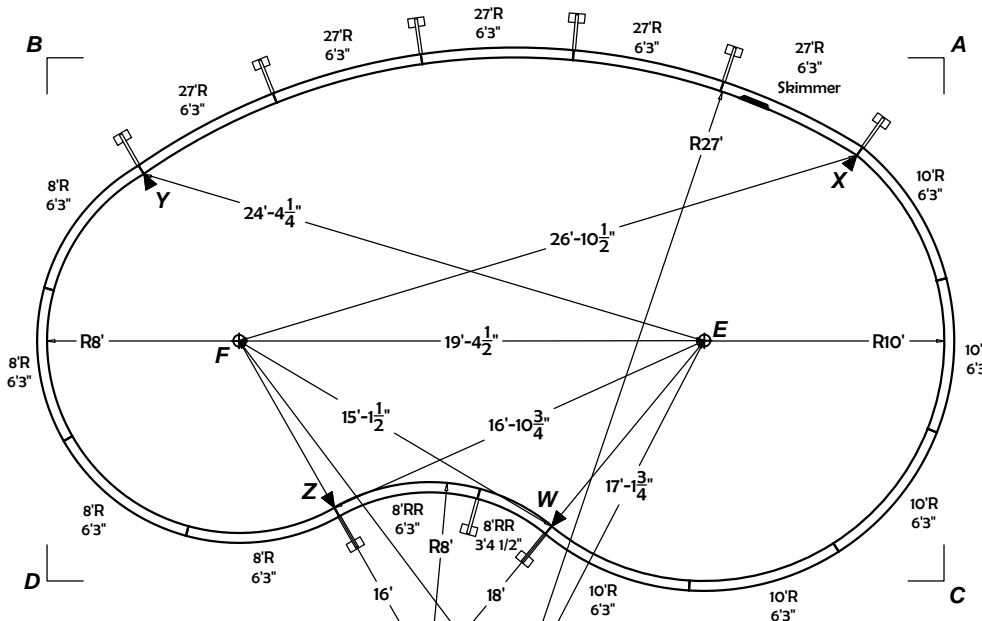
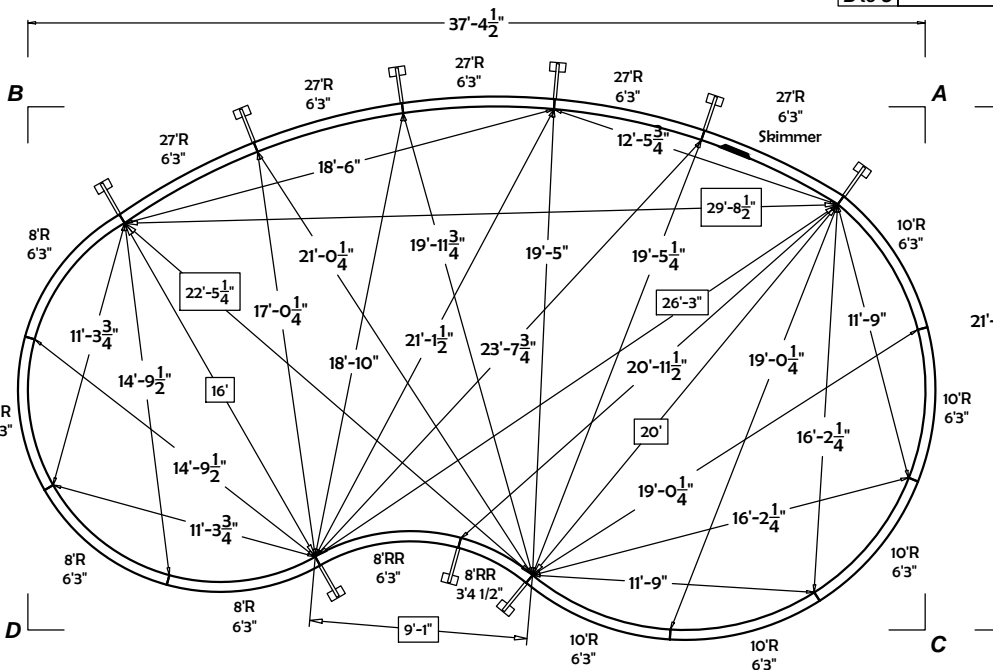
E	29'-9 3/4"
F	14'-3"
G	30'-2 3/4"
N	33'-3 1/2"
W	28'-8 1/4"
X	33'-11 3/4"
Y	6'-3 3/4"
Z	22'-2 3/4"

FROM C TO:

E	14'-1 3/4"
F	31'-0 1/4"
G	21'-9 1/2"
N	18'-7 3/4"
W	16'-6 1/4"
X	18'-1"
Y	37'-4 3/4"
Z	25'-7"

FROM D TO:

E	29'-1 3/4"
F	12'-9 3/4"
G	16'-4 3/4"
N	20'-1 3/4"
W	21'-1 3/4"
X	38'-1 1/4"
Y	17'-5"
Z	12'-4 1/4"

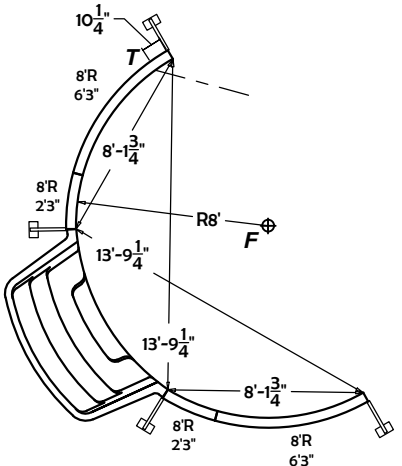


DIVING PERMITTED ONLY FROM DESIGNATED DIVING AREA.
 The bottom configuration shown conforms with current ISPSC & ANSI / APSP / ICC suggested minimum standards for pools approved for use with manufactured diving equipment.

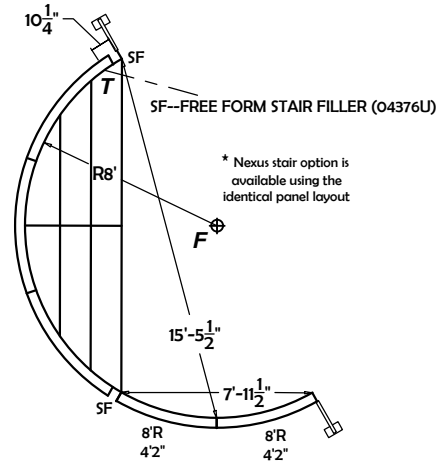
WARNING: Swimming pools can be dangerous if used improperly. Consult your dealer for information on safe use. It's the responsibility of town officials, builders and homeowners to follow safety recommendations of APSP/ANSI, local ordinances & equipment manufacturers.

- All work not specifically shown here is to be done in accordance with the requirements of the 2018 INTERNATIONAL SWIMMING POOL & SPA CODE, APSP/ANSI/ICC-5 2011 STANDARDS FOR RESIDENTIAL INGROUND SWIMMING POOLS, and all other local building codes.
- Construction Drawing: Different methods and precautions may be dictated by various ground conditions. This is to be determined by and is the responsibility of the contractor who is not an agent of the manufacturer of the component parts.
- Depth and shape of the pool meet minimum standards of the 2018 INTERNATIONAL SWIMMING POOL & SPA CODE and the APSP/ANSI/ICC-5 2011 STANDARDS FOR RESIDENTIAL INGROUND SWIMMING POOLS.
- A means of entry & exit for the deep end & shallow end of the pool must be provided in accordance with 2018 INTERNATIONAL SWIMMING POOL & SPA CODE, section 809.
- Equipotential bonding must be provided in accordance with the NATIONAL ELECTRIC CODE, NFPA 70.
- All A-frame braces are to be contained within an 8" thick continuous poured concrete (2500 psi) perimeter collar.
- Backfill with clean earth, free of roots and debris.
- Finished bottom is to be 2" minimum of suitable material or undisturbed earth.
- 3" wide, 3" thick concrete deck is to be poured at a slope of 1/4" to 1' away from the pool. NO DIVING labels are to be installed around the perimeter of the pool.
- A safety line, with buoys, is to be permanently attached 10' to the shallow side of the point of first slope change.
- Suction entrapment avoidance to be installed in accordance with APSP/ANSI/ICC-7

8' RADIUS PLASTIC STEP OPTION

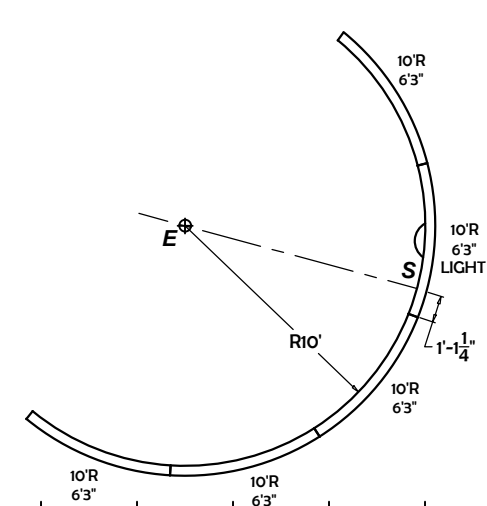


8'R x 14'W STEEL STAIR OPTION



* Nexus stair option is available using the identical panel layout

LIGHT PANEL OPTION



18' x 30' Left Mountain Pond

Perimeter	79'-3"	page 1 of 2
Surface Area	400.37 SF	
Volume	11250 gal	
Liner Sq. Ft.	420.2917 SF	

ITEM #	PART DESCRIPTION	No. Stairs	7R x 13W Stair	8R Plastic Step		
04434	7' Radius Panel - 6'3"	7	4	5		
04513	7' Radius Skimmer - 6'3"	1	1	1		
04433	7' Radius Return - 6'3"	2	1	2		
04514	7' Radius Panel - 5'3"		1			
04435	7' Radius Panel - 4'2"			1		
04065	7' Radius Panel - 3'9 3/4"		1			
04301	10' Reverse Radius - 6'3"	1	1	1		
04073	10' Reverse Radius - 3'4 1/2"	1	1	1		
04069	4' Reverse Radius - 3'4 1/2"	2	2	2		
----	Adjustable A-Frame	7	7	9		
04526B	7R x 13W Steel Stair		1			
07418RSNR	8' Radius Step-n-Rest			1		
PAK-75	Nut & Bolt Pak - 75 pcs	1	1	1		
PAK-100	Nut & Bolt Pak - 100 pcs	1	1	1		

ALL DIMENSIONS ARE FINISH DIMENSIONS

** Coping Layouts are shown on pages A70 (Progressive) & A97 (CP2)

4'
4'

FROM A TO:
D 35'-0 3/4"
N1 26'-11 1/2"
P 11'-4 1/4"
P1 9'-6 1/2"
Q 19'-0 1/2"
R 17'-1 3/4"
R1 19'-11 3/4"
S 25'-5 1/2"
T 11'-1 1/2"
U 32'-0 1/4"

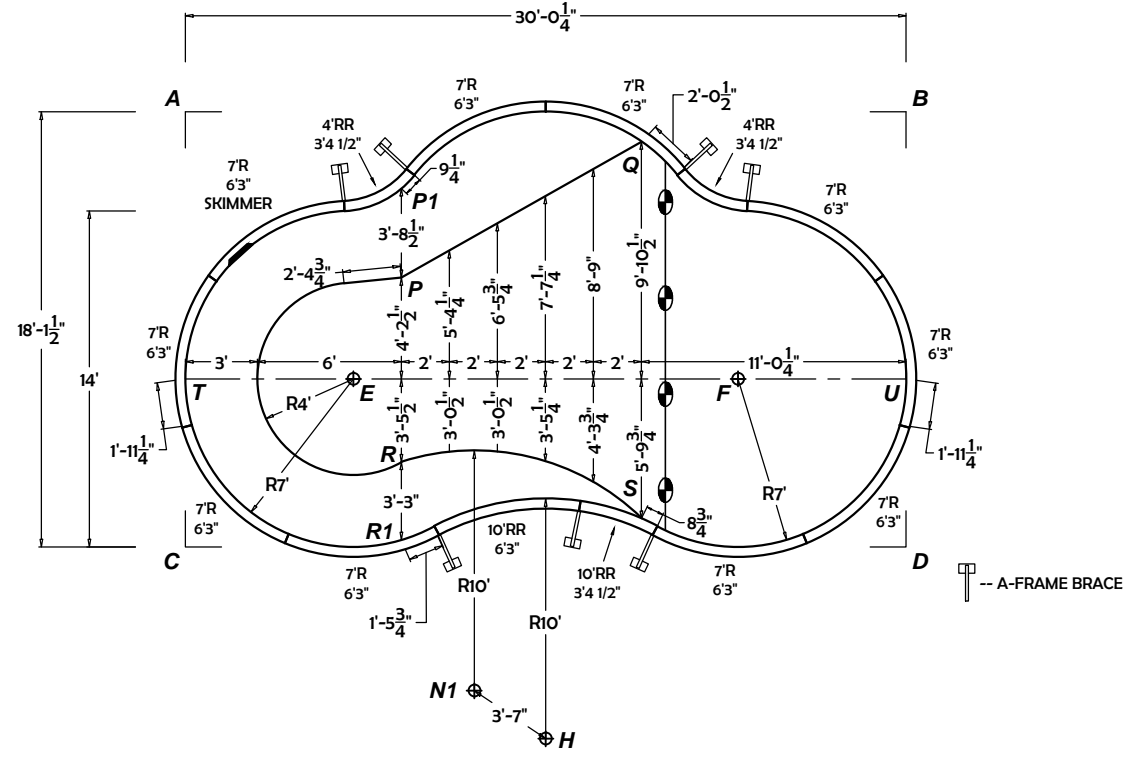
FROM B TO:
C 35'-0 3/4"
N1 30'-1"
P 22'-1 1/2"
P1 21'-3 1/4"
Q 11'-1 1/4"
R 25'-7"
R1 27'-6 3/4"
S 20'-2 1/2"
T 32'-0 1/4"
U 11'-1 1/2"

FROM C TO:
B 35'-0 3/4"
N1 13'-5 1/4"
P 14'-4 1/2"
P1 17'-5 1/4"
Q 25'-5"
R 9'-8"
R1 9'
S 19'-0 1/2"
T 7'
U 30'-10"

FROM D TO:
A 35'-0 3/4"
N1 18'-11 1/2"
P 23'-10"
P1 25'-9 1/2"
Q 20'-2"
R 21'-3 3/4"
R1 21'-0 1/4"
S 11'-1"
T 30'-10"
U 7'

FROM T TO:
N1 17'-8 1/2"
P 9'-11 1/4"
P1 12'
Q 21'-5"
R 9'-7 3/4"
R1 11'-2 3/4"
S 19'-10 1/2"

FROM U TO:
N1 22'-2 1/4"
P 21'-5 1/4"
P1 22'-5 3/4"
Q 14'-9 3/4"
R 21'-3 3/4"
R1 22'-0 3/4"
S 12'-5 1/2"

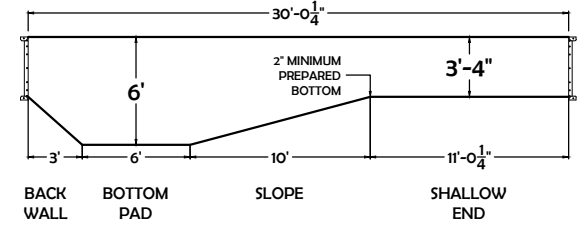
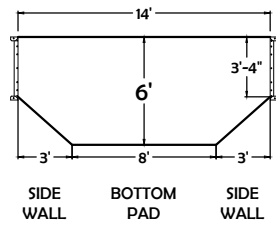


NO DIVING PERMITTED INTO THIS POOL

The bottom configuration shown conforms with current ISPS & ANSI / APSP / ICC suggested minimum standards for pools NOT approved for diving.

WARNING: Swimming pools can be dangerous if used improperly. Consult your dealer for information on safe use. It's the responsibility of town officials, builders and homeowners to follow safety recommendations of APSP/ANSI, local ordinances & equipment manufacturers.

- All work not specifically shown here is to be done in accordance with the requirements of the 2018 INTERNATIONAL SWIMMING POOL & SPA CODE, APSP/ANSI/ICC-5 2011 STANDARDS FOR RESIDENTIAL INGROUND SWIMMING POOLS, and all other local building codes.
- Construction Drawing: Different methods and precautions may be dictated by various ground conditions. This is to be determined by and is the responsibility of the contractor who is not an agent of the manufacturer of the component parts.
- Depth and shape of the pool meet minimum standards of the 2018 INTERNATIONAL SWIMMING POOL & SPA CODE and the APSP/ANSI/ICC-5 2011 STANDARDS FOR RESIDENTIAL INGROUND SWIMMING POOLS.
- A means of entry & exit for the deep end & shallow end of the pool must be provided in accordance with 2018 INTERNATIONAL SWIMMING POOL & SPA CODE, section 809.
- Equipotential bonding must be provided in accordance with the NATIONAL ELECTRIC CODE, NFPA 70.
- All A-frame braces are to be contained within an 8" thick continuous poured concrete (2500 psi) perimeter collar.
- Backfill with clean earth, free of roots and debris.
- Finished bottom is to be 2" minimum of suitable material or undisturbed earth.
- 3" wide, 3" thick concrete deck is to be poured at a slope of 1/8" to 1' away from the pool.
- NO DIVING labels are to be installed around the perimeter of the pool.
- A safety line, with buoys, is to be permanently attached 10' to the shallow side of the point of first slope change.
- Suction entrapment avoidance to be installed in accordance with APSP/ANSI/ICC-7

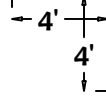


18' x 30' Left Mountain Pond

Perimeter	79'-3"	page 2 of 2
Surface Area	400.37 SF	
Volume	11250 gal	
Liner Sq. Ft.	420.2917 SF	

ALL DIMENSIONS ARE FINISH DIMENSIONS

** Coping Layouts are shown on pages A70 (Progressive) & A97 (CP2)



FROM A TO:

E	13'-1 3/4"
F	25'-6 3/4"
G	16'-6 3/4"
H	30'-1 1/2"
J	6'-5"
K	23'-7 1/4"
W	20'-1 3/4"
X	7'-9 3/4"
Y	23'-9 1/4"
Z	26'-2"

FROM B TO:

E	25'-6 3/4"
F	13'-1 3/4"
G	16'-6 3/4"
H	30'-1 1/2"
J	23'-7 1/4"
K	6'-5"
W	26'-2"
X	23'-9 1/4"
Y	7'-9 3/4"
Z	20'-1 3/4"

FROM C TO:

E	9'-10 3/4"
F	24'-0 3/4"
G	18'-8 1/4"
H	17'
J	19'-1 1/4"
K	29'-8 1/4"
W	10'-4 3/4"
X	15'-5 3/4"
Y	27'-3 1/4"
Z	19'-8"

FROM D TO:

E	24'-0 3/4"
F	9'-10 3/4"
G	18'-8 1/4"
H	17'
J	29'-8 1/4"
K	19'-1 1/4"
W	19'-8"
X	27'-3 1/4"
Y	15'-5 3/4"
Z	10'-4 3/4"

FROM T TO:

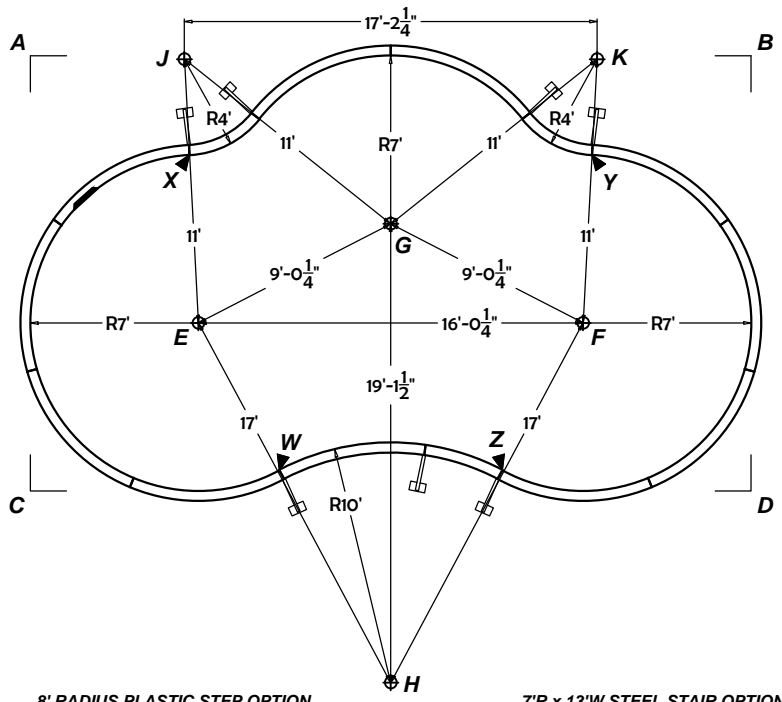
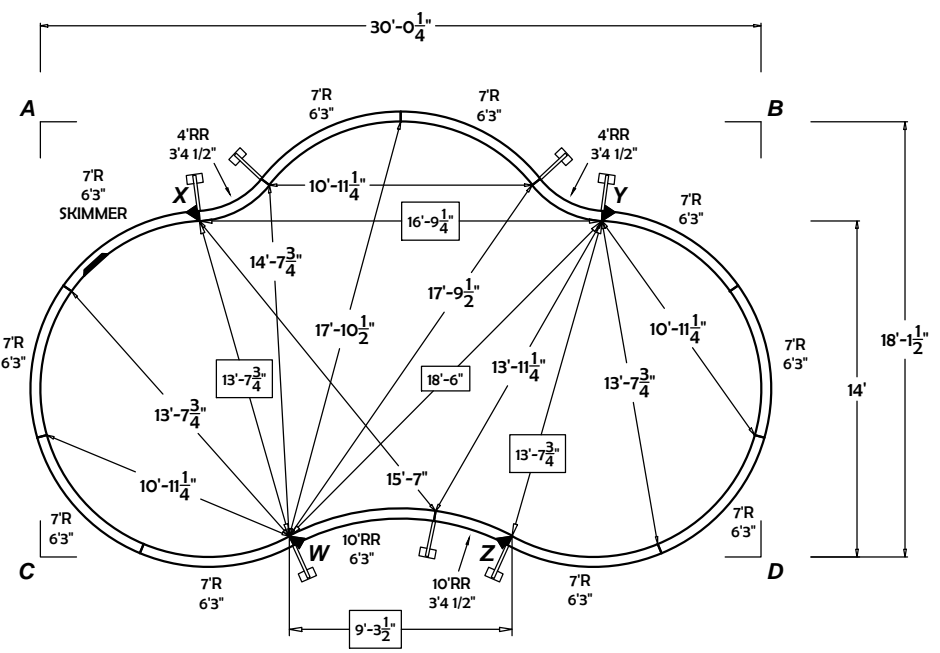
E	7'
F	23'-0 1/4"
G	15'-6 3/4"
H	21'-2 1/2"
J	12'-8 3/4"
K	26'-0 1/2"
W	12'-0 1/2"
X	9'-7 1/2"
Y	24'-5"
Z	20'-7"

FROM U TO:

E	23'-0 1/4"
F	7'
G	15'-6 3/4"
H	21'-2 1/2"
J	26'-0 1/2"
K	12'-8 3/4"
W	20'-7"
X	24'-5"
Y	9'-7 1/2"
Z	12'-0 1/2"

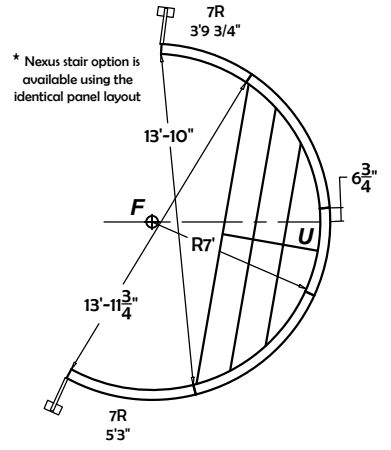
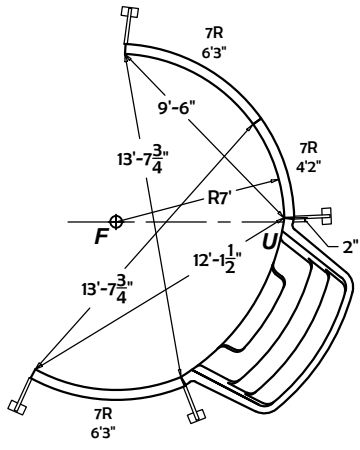
A to D 35'-0 3/4"
B to C

-- A-FRAME BRACE



8' RADIUS PLASTIC STEP OPTION

7' R x 13' W STEEL STAIR OPTION



* Nexus stair option is available using the identical panel layout

NO DIVING PERMITTED INTO THIS POOL

The bottom configuration shown conforms with current ISPS & ANSI / APSP / ICC suggested minimum standards for pools NOT approved for diving.

WARNING: Swimming pools can be dangerous if used improperly. Consult your dealer for information on safe use. It's the responsibility of town officials, builders and homeowners to follow safety recommendations of APSP/ANSI, local ordinances & equipment manufacturers.

- All work not specifically shown here is to be done in accordance with the requirements of the 2018 INTERNATIONAL SWIMMING POOL & SPA CODE, APSP/ANSI/ICC-5 2011 STANDARDS FOR RESIDENTIAL INGROUND SWIMMING POOLS, and all other local building codes.
- Construction Drawing: Different methods and precautions may be dictated by various ground conditions. This is to be determined by and is the responsibility of the contractor who is not an agent of the manufacturer of the component parts.
- Depth and shape of the pool meet minimum standards of the 2018 INTERNATIONAL SWIMMING POOL & SPA CODE and the APSP/ANSI/ICC-5 2011 STANDARDS FOR RESIDENTIAL INGROUND SWIMMING POOLS.
- A means of entry & exit for the deep end & shallow end of the pool must be provided in accordance with 2018 INTERNATIONAL SWIMMING POOL & SPA CODE, section 809.
- Equipotential bonding must be provided in accordance with the NATIONAL ELECTRIC CODE, NFPA 70.
- All A-frame braces are to be contained within an 8" thick continuous poured concrete (2500 psi) perimeter collar.
- Backfill with clean earth, free of roots and debris.
- Finished bottom is to be 2" minimum of suitable material or undisturbed earth.
- 3" wide, 3" thick concrete deck is to be poured at a slope of 1/4" to 1' away from the pool.
- NO DIVING labels are to be installed around the perimeter of the pool.
- A safety line, with buoys, is to be permanently attached 10' to the shallow side of the point of first slope change.
- Suction entrapment avoidance to be installed in accordance with APSP/ANSI/ICC-7

18' x 30' Right Mountain Pond

Perimeter	79'-3"	page 1 of 2
Surface Area	400.37 SF	
Volume	11250 gal	
Liner Sq. Ft.	420.2917 SF	

ITEM #	PART DESCRIPTION	No Stairs	7R x 13W Stair	8R Plastic Step
04434	7' Radius Panel - 6'3"	7	4	5
04513	7' Radius Skimmer - 6'3"	1	1	1
04433	7' Radius Return - 6'3"	2	1	2
04514	7' Radius Panel - 5'3"		1	
04435	7' Radius Panel - 4'2"			1
04065	7' Radius Panel - 3'9 3/4"		1	
04301	10' Reverse Radius - 6'3"	1	1	1
04073	10' Reverse Radius - 3'4 1/2"	1	1	1
04069	4' Reverse Radius - 3'4 1/2"	2	2	2
----	Adjustable A-Frame	7	7	9
04526B	7R x 13'W Steel Stair		1	
07418RSNR	8' Radius Step-n-Rest			1
PAK-75	Nut & Bolt Pak - 75 pcs	1	1	1
PAK-100	Nut & Bolt Pak - 100 pcs	1	1	1

ALL DIMENSIONS ARE FINISH DIMENSIONS

** Coping Layouts are shown on pages A70 (Progressive) & A97 (CP2)

FROM A TO:	
D	35'-0 3/4"
N1	26'-11 1/2"
P	11'-4 1/4"
P1	9'-6 1/2"
Q	19'-0 1/2"
R	17'-1 3/4"
R1	19'-11 3/4"
S	25'-5 1/2"
T	11'-1 1/2"
U	32'-0 1/4"

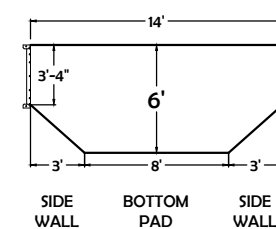
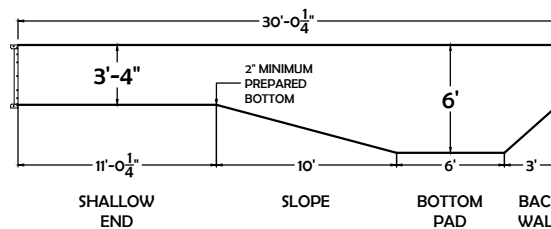
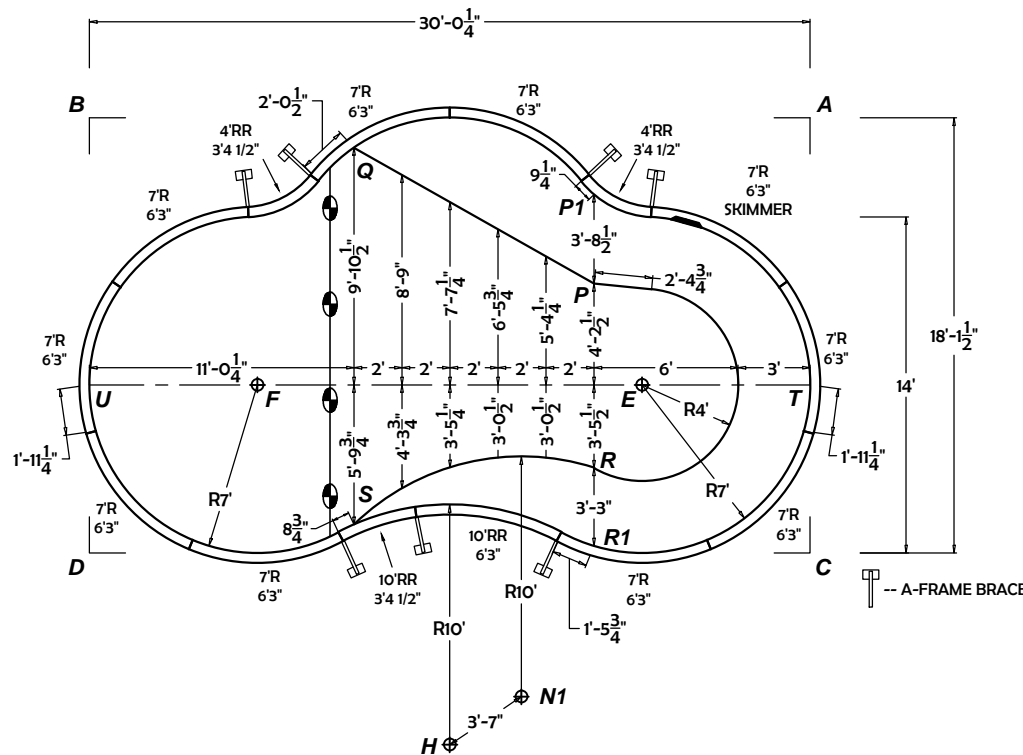
FROM B TO:	
C	35'-0 3/4"
N1	30'-1"
P	22'-1 1/2"
P1	21'-3 1/4"
Q	11'-1 1/4"
R	25'-7"
R1	27'-6 3/4"
S	20'-2 1/2"
T	32'-0 1/4"
U	11'-1 1/2"

FROM C TO:	
B	35'-0 3/4"
N1	13'-5 1/4"
P	14'-4 1/2"
P1	17'-5 1/4"
Q	25'-5"
R	9'-8"
R1	9'
S	19'-0 1/2"
T	7'
U	30'-10"

FROM D TO:	
A	35'-0 3/4"
N1	18'-11 1/2"
P	23'-10"
P1	25'-9 1/2"
Q	20'-2"
R	21'-3 3/4"
R1	21'-0 1/4"
S	11'-1"
T	30'-10"
U	7'

FROM T TO:	
N1	17'-8 1/2"
P	9'-11 1/4"
P1	12'
Q	21'-5"
R	9'-7 3/4"
R1	11'-2 3/4"
S	19'-10 1/2"

FROM U TO:	
N1	22'-2 1/4"
P	21'-5 1/4"
P1	22'-5 3/4"
Q	14'-9 3/4"
R	21'-3 3/4"
R1	22'-0 3/4"
S	12'-5 1/2"



NO DIVING PERMITTED INTO THIS POOL

The bottom configuration shown conforms with current ISPS & ANSI / APSP / ICC suggested minimum standards for pools NOT approved for diving.

WARNING: Swimming pools can be dangerous if used improperly. Consult your dealer for information on safe use. It's the responsibility of town officials, builders and homeowners to follow safety recommendations of APSP/ANSI, local ordinances & equipment manufacturers.

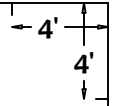
- All work not specifically shown here is to be done in accordance with the requirements of the 2018 INTERNATIONAL SWIMMING POOL & SPA CODE, APSP/ANSI/ICC-5 2011 STANDARDS FOR RESIDENTIAL INGROUND SWIMMING POOLS, and all other local building codes.
- Construction Drawing: Different methods and precautions may be dictated by various ground conditions. This is to be determined by and is the responsibility of the contractor who is not an agent of the manufacturer of the component parts.
- Depth and shape of the pool meet minimum standards of the 2018 INTERNATIONAL SWIMMING POOL & SPA CODE and the APSP/ANSI/ICC-5 2011 STANDARDS FOR RESIDENTIAL INGROUND SWIMMING POOLS.
- A means of entry & exit for the deep end & shallow end of the pool must be provided in accordance with 2018 INTERNATIONAL SWIMMING POOL & SPA CODE, section 809.
- Equipotential bonding must be provided in accordance with the NATIONAL ELECTRIC CODE, NFPA 70.
- All A-frame braces are to be contained within an 8" thick continuous poured concrete (2500 psi) perimeter collar.
- Backfill with clean earth, free of roots and debris.
- Finished bottom is to be 2" minimum of suitable material or undisturbed earth.
- 3" wide, 3" thick concrete deck is to be poured at a slope of 1/8" to 1' away from the pool.
- NO DIVING labels are to be installed around the perimeter of the pool.
- A safety line, with buoys, is to be permanently attached 10' to the shallow side of the point of first slope change.
- Suction entrapment avoidance to be installed in accordance with APSP/ANSI/ICC-7

18' x 30' Right Mountain Pond

Perimeter	79'-3"	page 2 of 2
Surface Area	400.37 SF	
Volume	11250 gal	
Liner Sq. Ft.	420.2917 SF	

ALL DIMENSIONS ARE FINISH DIMENSIONS

** Coping Layouts are shown on pages A70 (Progressive) & A97 (CP2)



FROM A TO:

E	13'-1 3/4"
F	25'-6 3/4"
G	16'-6 3/4"
H	30'-1 1/2"
J	6'-5"
K	23'-7 1/4"
W	20'-1 3/4"
X	7'-9 3/4"
Y	23'-9 1/4"
Z	26'-2"

FROM B TO:

E	25'-6 3/4"
F	13'-1 3/4"
G	16'-6 3/4"
H	30'-1 1/2"
J	23'-7 1/4"
K	6'-5"
W	26'-2"
X	23'-9 1/4"
Y	7'-9 3/4"
Z	20'-1 3/4"

FROM C TO:

E	9'-10 3/4"
F	24'-0 3/4"
G	18'-8 1/4"
H	17'
J	19'-1 1/4"
K	29'-8 1/4"
W	10'-4 3/4"
X	15'-5 3/4"
Y	27'-3 1/4"
Z	19'-8"

FROM D TO:

E	24'-0 3/4"
F	9'-10 3/4"
G	18'-8 1/4"
H	17'
J	29'-8 1/4"
K	19'-1 1/4"
W	19'-8"
X	27'-3 1/4"
Y	15'-5 3/4"
Z	10'-4 3/4"

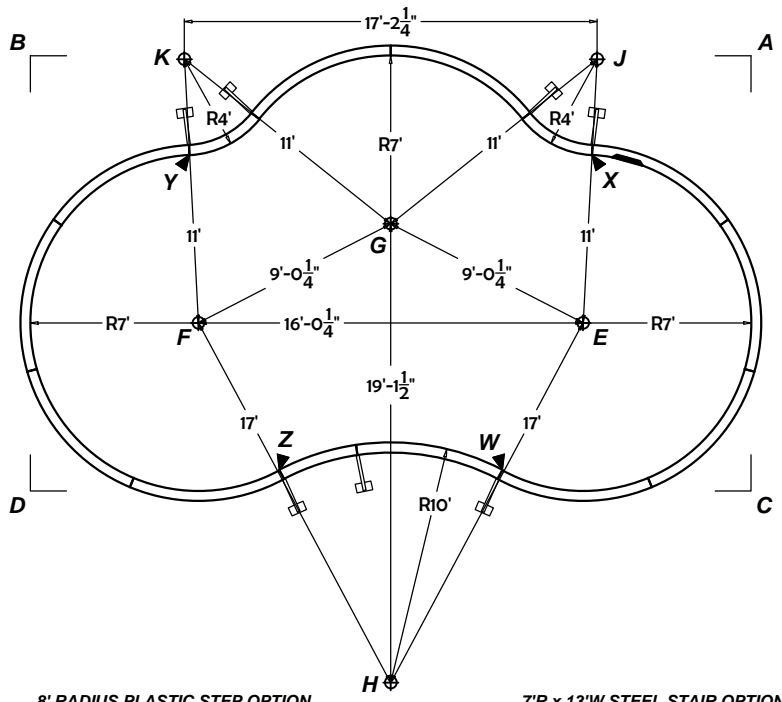
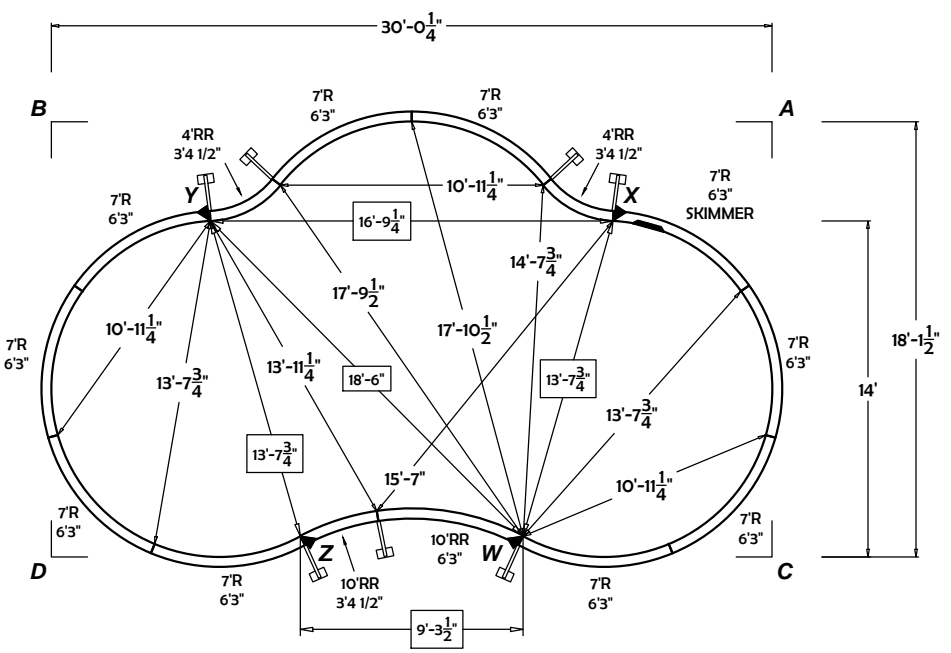
FROM T TO:

E	7'
F	23'-0 1/4"
G	15'-6 3/4"
H	21'-2 1/2"
J	12'-8 3/4"
K	26'-0 1/2"
W	12'-0 1/2"
X	9'-7 1/2"
Y	24'-5"
Z	20'-7"

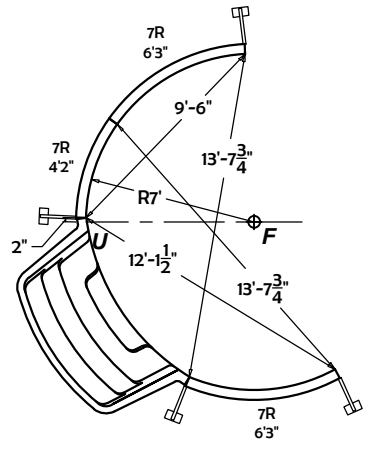
FROM U TO:

E	23'-0 1/4"
F	7'
G	15'-6 3/4"
H	21'-2 1/2"
J	26'-0 1/2"
K	12'-8 3/4"
W	20'-7"
X	24'-5"
Y	9'-7 1/2"
Z	12'-0 1/2"

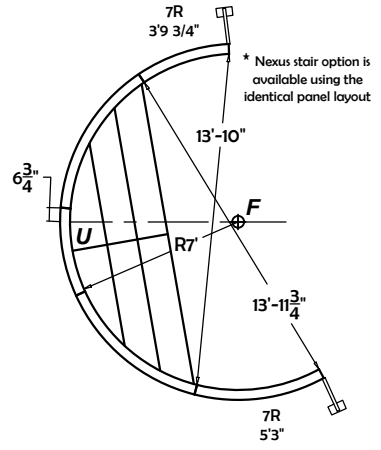
A to D 35'-0 3/4"
B to C



8' RADIUS PLASTIC STEP OPTION



7' R x 13' W STEEL STAIR OPTION



* Nexus stair option is available using the identical panel layout

NO DIVING PERMITTED INTO THIS POOL

The bottom configuration shown conforms with current ISPS & ANSI / APSP / ICC suggested minimum standards for pools NOT approved for diving.

WARNING: Swimming pools can be dangerous if used improperly. Consult your dealer for information on safe use. It's the responsibility of town officials, builders and homeowners to follow safety recommendations of APSP/ANSI, local ordinances & equipment manufacturers.

- All work not specifically shown here is to be done in accordance with the requirements of the 2018 INTERNATIONAL SWIMMING POOL & SPA CODE, APSP/ANSI/ICC-5 2011 STANDARDS FOR RESIDENTIAL INGROUND SWIMMING POOLS, and all other local building codes.
- Construction Drawing: Different methods and precautions may be dictated by various ground conditions. This is to be determined by and is the responsibility of the contractor who is not an agent of the manufacturer of the component parts.
- Depth and shape of the pool meet minimum standards of the 2018 INTERNATIONAL SWIMMING POOL & SPA CODE and the APSP/ANSI/ICC-5 2011 STANDARDS FOR RESIDENTIAL INGROUND SWIMMING POOLS.
- A means of entry & exit for the deep end & shallow end of the pool must be provided in accordance with 2018 INTERNATIONAL SWIMMING POOL & SPA CODE, section 809.
- Equipotential bonding must be provided in accordance with the NATIONAL ELECTRIC CODE, NFPA 70.
- All A-frame braces are to be contained within an 8" thick continuous poured concrete (2500 psi) perimeter collar.
- Backfill with clean earth, free of roots and debris.
- Finished bottom is to be 2" minimum of suitable material or undisturbed earth.
- 3" wide, 3" thick concrete deck is to be poured at a slope of 1/4" to 1' away from the pool.
- NO DIVING** labels are to be installed around the perimeter of the pool.
- A safety line, with buoys, is to be permanently attached 10' to the shallow side of the point of first slope change.
- Suction entrapment avoidance to be installed in accordance with APSP/ANSI/ICC-7

20' x 34' Left Mountain Pond

Perimeter	89'-10"	page 1 of 2
Surface Area	518.05 SF	
Volume	17700 gal	
Liner Sq. Ft.	545.6667 SF	

ITEM #	PART DESCRIPTION	No Stairs	7'R x 13'W Stair	8'R Plastic Step
04162	8' Radius Panel - 6'3"	7	4	5
04476	8' Radius Skimmer - 6'3"	1	1	1
04167	8' Radius Return - 6'3"	2	1	2
04441	8' Radius Panel - 4'2"		2	
04133	8' Radius Panel - 3'1 1/2"	2	2	2
04164	8' Radius Panel - 2'3"			2
04300	10' Reverse Radius - 5'2 1/4"	2	2	2
04072	8' Reverse Radius - 5'2 1/4"	2	2	2
----	Adjustable A-Frame	7	7	9
04010B	8'R x 14'W Steel Stair		1	
07418R5NR	8' Radius Step-n-Rest			1
PAK-75	Nut & Bolt Pak - 75 pcs			
PAK-100	Nut & Bolt Pak - 100 pcs	2	2	2
04134	8' Radius Light - 6'3"			

ALL DIMENSIONS ARE FINISH DIMENSIONS

** see page A5 (full steel) & A6 (Nexus) for Radius Inside Steel Stair Filler specifications
** Coping Layouts are shown on pages A71 (Progressive) & A98 (CP2)

FROM A TO:

D	39'-10"
N1	33'-1 1/4"
P	12'-5 1/4"
P1	10'-7"
Q	24'-3"
R	19'-4 1/2"
R1	22'-7 3/4"
S	31'-5"
T	12'-6 3/4"
U	36'-4 1/4"

FROM B TO:

C	39'-10"
N1	36'-2"
P	25'-2 1/2"
P1	24'-4 1/4"
Q	10'-8"
R	29'-3 1/4"
R1	31'-6 1/4"
S	22'-8"
T	36'-4 1/4"
U	12'-6 3/4"

FROM C TO:

B	39'-10"
N1	16'-10 1/4"
P	16'-6 1/2"
P1	19'-9 1/2"
Q	29'-6"
R	10'-9"
R1	10'
S	24'
T	8'
U	35'-0 1/4"

FROM D TO:

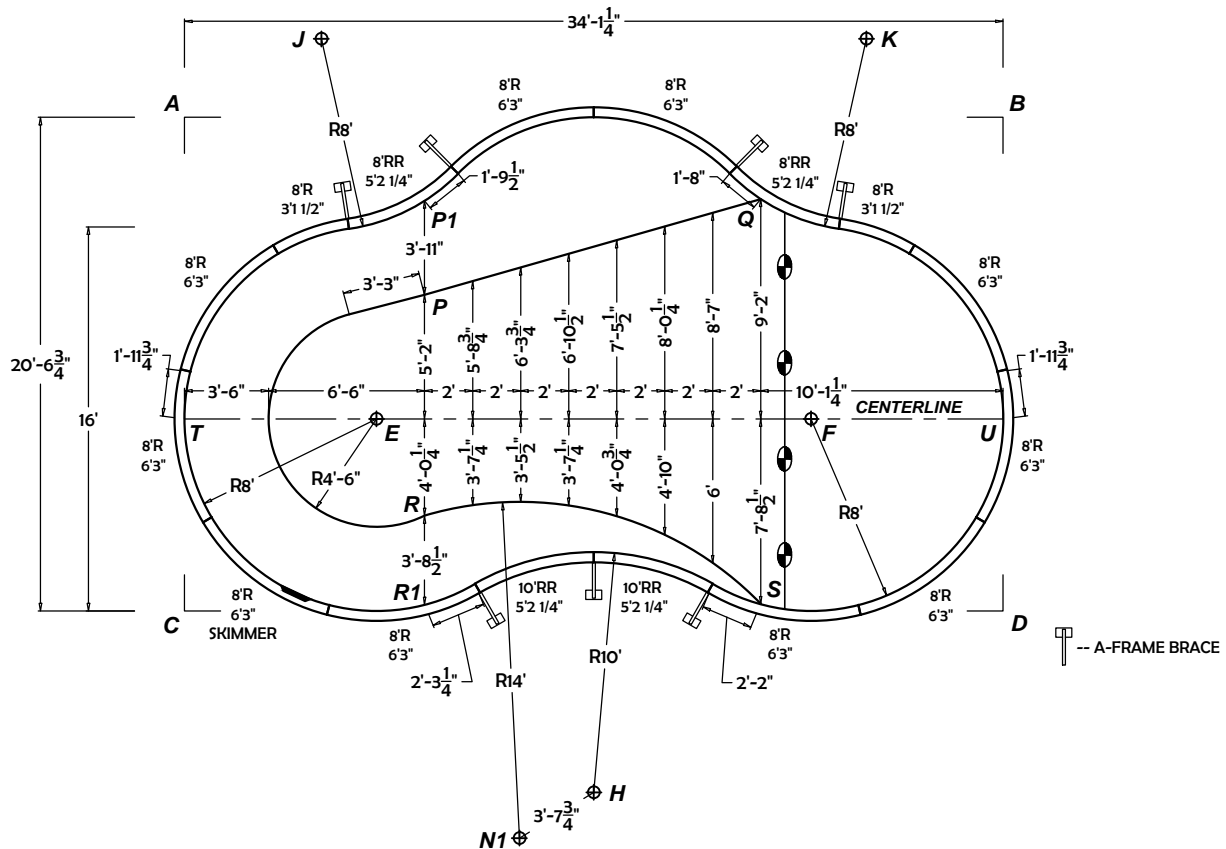
A	39'-10"
N1	22'-3 1/4"
P	27'-5 1/2"
P1	29'-6 1/2"
Q	19'-11"
R	24'-5 1/4"
R1	24'-1 1/4"
S	10'-1 1/4"
T	35'-0 1/4"
U	8'

FROM T TO:

N1	22'-4 1/4"
P	11'-3"
P1	13'-6 1/4"
Q	25'-8 1/4"
R	10'-9 1/2"
R1	12'-7 3/4"
S	25'-2 1/2"

FROM U TO:

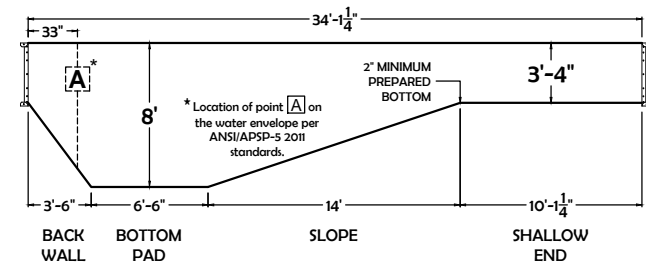
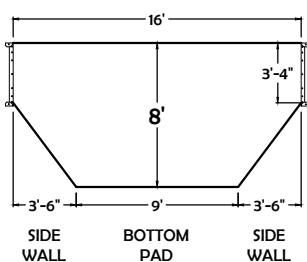
N1	26'-8"
P	24'-7 3/4"
P1	25'-9 1/4"
Q	13'-7 3/4"
R	24'-5 1/4"
R1	25'-3 3/4"
S	12'-8 1/2"



DIVING PERMITTED ONLY FROM DESIGNATED DIVING AREA.
The bottom configuration shown conforms with current ISPC & ANSI / APSP / ICC suggested minimum standards for pools approved for use with manufactured diving equipment.

WARNING: Swimming pools can be dangerous if used improperly. Consult your dealer for information on safe use. It's the responsibility of town officials, builders and homeowners to follow safety recommendations of APSP/ANSI, local ordinances & equipment manufacturers.

- All work not specifically shown here is to be done in accordance with the requirements of the 2018 INTERNATIONAL SWIMMING POOL & SPA CODE, APSP/ANSI/ICC-5 2011 STANDARDS FOR RESIDENTIAL INGROUND SWIMMING POOLS, and all other local building codes.
- Construction Drawing: Different methods and precautions may be dictated by various ground conditions. This is to be determined by and is the responsibility of the contractor who is not an agent of the manufacturer of the component parts.
- Depth and shape of the pool meet minimum standards of the 2018 INTERNATIONAL SWIMMING POOL & SPA CODE and the APSP/ANSI/ICC-5 2011 STANDARDS FOR RESIDENTIAL INGROUND SWIMMING POOLS.
- A means of entry & exit for the deep end & shallow end of the pool must be provided in accordance with 2018 INTERNATIONAL SWIMMING POOL & SPA CODE, section 809.
- Equipotential bonding must be provided in accordance with the NATIONAL ELECTRIC CODE, NFPA 70.
- All A-frame braces are to be contained within an 8" thick continuous poured concrete (2500 psi) perimeter collar.
- Backfill with clean earth, free of roots and debris.
- Finished bottom is to be 2" minimum of suitable material or undisturbed earth.
- 3' wide, 3" thick concrete deck is to be poured at a slope of 1/4" to 1' away from the pool.
- NO DIVING labels are to be installed around the perimeter of the pool.
- A safety line, with buoys, is to be permanently attached 10' to the shallow side of the point of first slope change.
- Suction entrapment avoidance to be installed in accordance with APSP/ANSI/ICC-7



20' x 34' Left Mountain Pond

Perimeter	89'-10"	page 2 of 2
Surface Area	518.05 SF	
Volume	17700 gal	
Liner Sq. Ft.	545.6667 SF	

ALL DIMENSIONS ARE FINISH DIMENSIONS

** see page A5 (full steel) & A6 (Nexus) for Radius Inside Steel Stair Filler specifications
** Coping Layouts are shown on pages A71 (Progressive) & A98 (CP2)

FROM A TO:

E	14'-10 3/4"
F	28'-11 3/4"
G	18'-10"
H	32'-10 3/4"
J	6'-6 3/4"
K	28'-7 1/4"
W	22'-10 3/4"
X	8'-3 1/4"
Y	27'-7 3/4"
Z	29'-4 1/4"

FROM B TO:

E	28'-11 3/4"
F	14'-10 3/4"
G	18'-10"
H	32'-10 3/4"
J	28'-7 1/4"
K	6'-6 3/4"
W	29'-4 1/4"
X	27'-7 3/4"
Y	8'-3 1/4"
Z	22'-10 3/4"

FROM C TO:

E	11'-3 3/4"
F	27'-3 1/2"
G	21'-2 1/4"
H	18'-7 3/4"
J	24'-6"
K	37'-1"
W	12'-1 3/4"
X	17'-4"
Y	31'-6 3/4"
Z	22'-0 1/2"

FROM D TO:

E	27'-3 1/2"
F	11'-3 3/4"
G	21'-2 1/4"
H	18'-7 3/4"
J	37'-1"
K	24'-6"
W	22'-0 1/2"
X	31'-6 3/4"
Y	17'-4"
Z	12'-1 3/4"

FROM T TO:

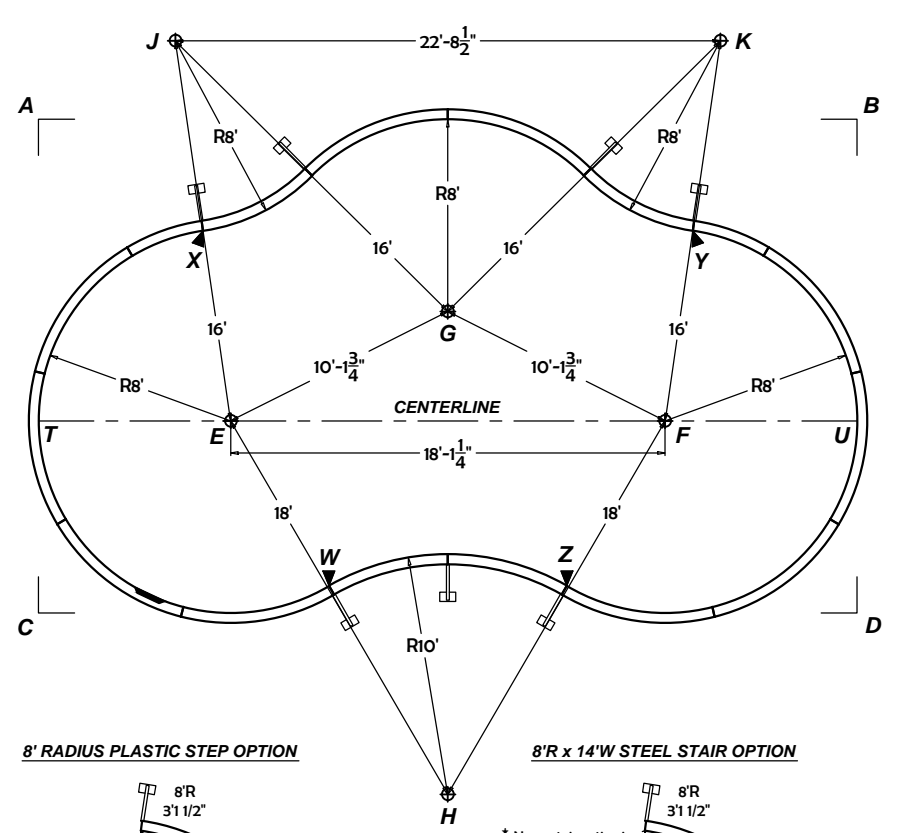
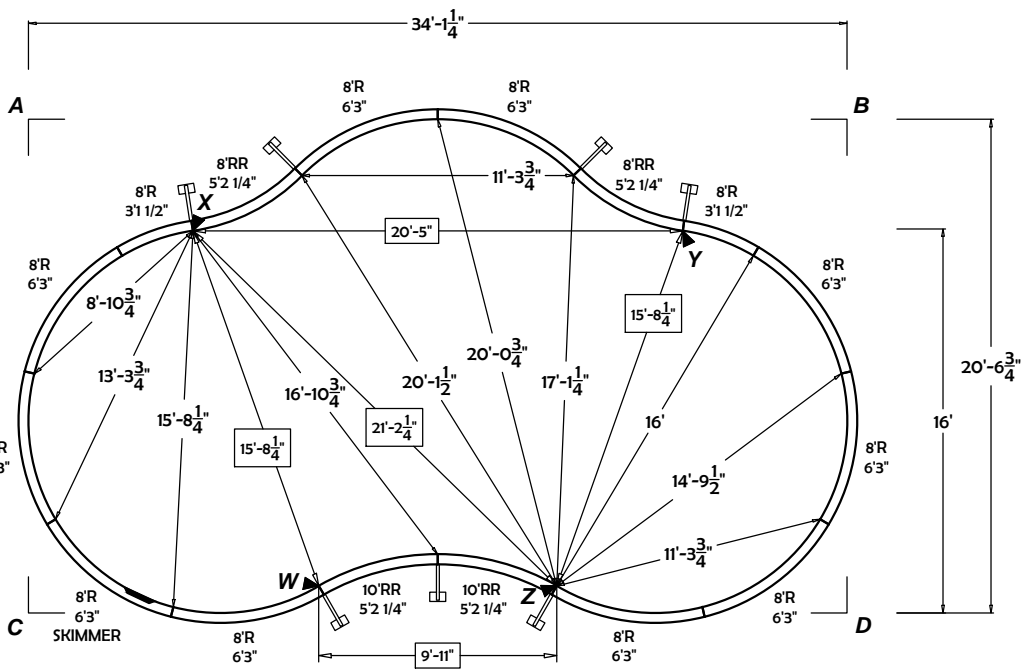
E	8'
F	26'-1 1/4"
G	17'-7 3/4"
H	23'-1"
J	16'-10"
K	32'-6 1/4"
W	13'-11"
X	10'-5 1/2"
Y	28'-4 1/2"
Z	23'-0 3/4"

FROM U TO:

E	26'-1 1/4"
F	8'
G	17'-7 3/4"
H	23'-1"
J	32'-6 1/4"
K	16'-10"
W	23'-0 3/4"
X	28'-4 1/2"
Y	10'-5 1/2"
Z	13'-11"

A to D 39'-10"
B to C

-- A-FRAME BRACE

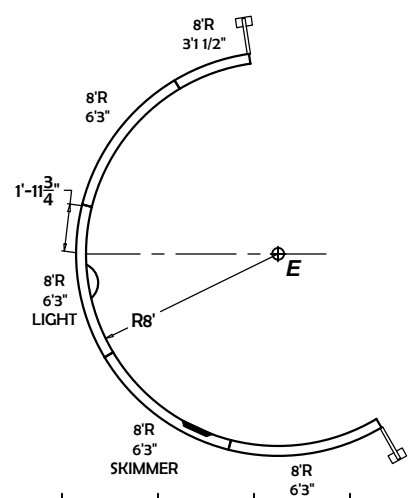


DIVING PERMITTED ONLY FROM DESIGNATED DIVING AREA.
The bottom configuration shown conforms with current ISPCS & ANSI / APSP / ICC suggested minimum standards for pools approved for use with manufactured diving equipment.

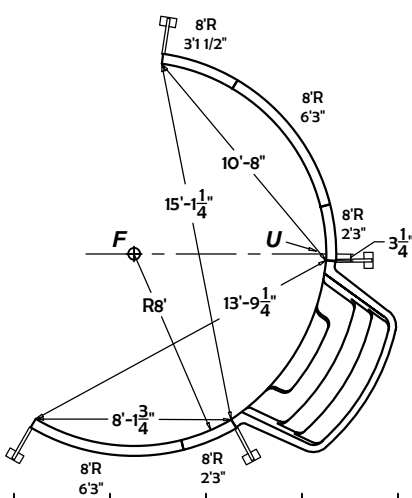
WARNING: Swimming pools can be dangerous if used improperly. Consult your dealer for information on safe use. It's the responsibility of town officials, builders and homeowners to follow safety recommendations of APSP/ANSI, local ordinances & equipment manufacturers.

- All work not specifically shown here is to be done in accordance with the requirements of the 2018 INTERNATIONAL SWIMMING POOL & SPA CODE, APSP/ANSI/ICC-5 2011 STANDARDS FOR RESIDENTIAL INGROUND SWIMMING POOLS, and all other local building codes.
- Construction Drawing: Different methods and precautions may be dictated by various ground conditions. This is to be determined by and is the responsibility of the contractor who is not an agent of the manufacturer of the component parts.
- Depth and shape of the pool meet minimum standards of the 2018 INTERNATIONAL SWIMMING POOL & SPA CODE and the APSP/ANSI/ICC-5 2011 STANDARDS FOR RESIDENTIAL INGROUND SWIMMING POOLS.
- A means of entry & exit for the deep end & shallow end of the pool must be provided in accordance with 2018 INTERNATIONAL SWIMMING POOL & SPA CODE, section 809.
- Equipotential bonding must be provided in accordance with the NATIONAL ELECTRIC CODE, NFPA 70.
- All A-frame braces are to be contained within an 8" thick continuous poured concrete (2500 psi) perimeter collar.
- Backfill with clean earth, free of roots and debris.
- Finished bottom is to be 2" minimum of suitable material or undisturbed earth.
- 3" wide, 3" thick concrete deck is to be poured at a slope of 1/4" to 1' away from the pool.
- NO DIVING labels are to be installed around the perimeter of the pool.
- A safety line, with buoys, is to be permanently attached 10' to the shallow side of the point of first slope change.
- Suction entrapment avoidance to be installed in accordance with APSP/ANSI/ICC-7

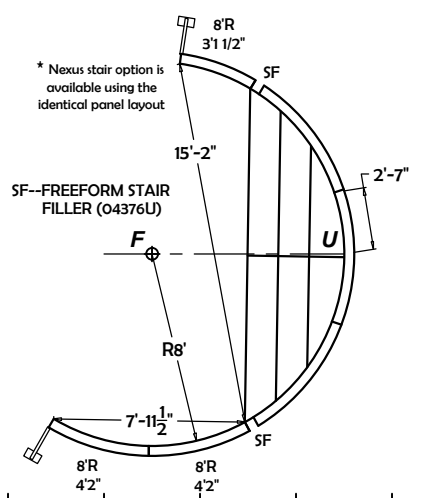
LIGHT PANEL OPTION



8' RADIUS PLASTIC STEP OPTION



8'R x 14'W STEEL STAIR OPTION



* Nexus stair option is available using the identical panel layout

SF--FREEFORM STAIR FILLER (04376U)

20' x 34' Right Mountain Pond

Perimeter	89'-10"	page 1 of 2	No Stairs 7 R x 13 W Stair 8 R Plastic Step
Surface Area	518.05 SF		
Volume	17700 gal		
Liner Sq. Ft.	545.6667 SF		

ITEM #	PART DESCRIPTION	No Stairs	7 R x 13 W Stair	8 R Plastic Step
04162	8' Radius Panel - 6'3"	7	4	5
04476	8' Radius Skimmer - 6'3"	1	1	1
04167	8' Radius Return - 6'3"	2	1	2
04441	8' Radius Panel - 4'2"		2	
04133	8' Radius Panel - 3'1 1/2"	2	2	2
04164	8' Radius Panel - 2'3"		2	
04300	10' Reverse Radius - 5'2 1/4"	2	2	2
04072	8' Reverse Radius - 5'2 1/4"	2	2	2
----	Adjustable A-Frame	7	7	9
04010B	8'R x 14'W Steel Stair		1	
07418R5NR	8' Radius Step-n-Rest			1
PAK-75	Nut & Bolt Pak - 75 pcs			
PAK-100	Nut & Bolt Pak - 100 pcs	2	2	2
04134	8' Radius Light - 6'3"			

DIVING PERMITTED ONLY FROM DESIGNATED DIVING AREA.
The bottom configuration shown conforms with current ISPSC & ANSI / APSP / ICC suggested minimum standards for pools approved for use with manufactured diving equipment.

WARNING: Swimming pools can be dangerous if used improperly. Consult your dealer for information on safe use. It's the responsibility of town officials, builders and homeowners to follow safety recommendations of APSP/ANSI, local ordinances & equipment manufacturers.

- All work not specifically shown here is to be done in accordance with the requirements of the 2018 INTERNATIONAL SWIMMING POOL & SPA CODE, APSP/ANSI/ICC-5 2011 STANDARDS FOR RESIDENTIAL INGROUND SWIMMING POOLS, and all other local building codes.
- Construction Drawing: Different methods and precautions may be dictated by various ground conditions. This is to be determined by and is the responsibility of the contractor who is not an agent of the manufacturer of the component parts.
- Depth and shape of the pool meet minimum standards of the 2018 INTERNATIONAL SWIMMING POOL & SPA CODE and the APSP/ANSI/ICC-5 2011 STANDARDS FOR RESIDENTIAL INGROUND SWIMMING POOLS.
- A means of entry & exit for the deep end & shallow end of the pool must be provided in accordance with 2018 INTERNATIONAL SWIMMING POOL & SPA CODE, section 809.
- Equipotential bonding must be provided in accordance with the NATIONAL ELECTRIC CODE, NFPA 70.
- All A-frame braces are to be contained within an 8" thick continuous poured concrete (2500 psi) perimeter collar.
- Backfill with clean earth, free of roots and debris.
- Finished bottom is to be 2" minimum of suitable material or undisturbed earth.
- 3' wide, 3" thick concrete deck is to be poured at a slope of 1/4" to 1' away from the pool.
- NO DIVING labels are to be installed around the perimeter of the pool.
- A safety line, with buoys, is to be permanently attached 10' to the shallow side of the point of first slope change.
- Suction entrapment avoidance to be installed in accordance with APSP/ANSI/ICC-7

ALL DIMENSIONS ARE FINISH DIMENSIONS

** see page A5 (full steel) & A6 (Nexus) for Radius Inside Steel Stair Filler specifications
** Coping Layouts are shown on pages A71 (Progressive) & A98 (CP2)

FROM A TO:

D	39'-10"
N1	33'-1 1/4"
P	12'-5 1/4"
P1	10'-7"
Q	24'-3"
R	19'-4 1/2"
R1	22'-7 3/4"
S	31'-5"
T	12'-6 3/4"
U	36'-4 1/4"

FROM B TO:

C	39'-10"
N1	36'-2"
P	25'-2 1/2"
P1	24'-4 1/4"
Q	10'-8"
R	29'-3 1/4"
R1	31'-6 1/4"
S	22'-8"
T	36'-4 1/4"
U	12'-6 3/4"

FROM C TO:

B	39'-10"
N1	16'-10 1/4"
P	16'-6 1/2"
P1	19'-9 1/2"
Q	29'-6"
R	10'-9"
R1	10'
S	24'
T	8'
U	35'-0 1/4"

FROM D TO:

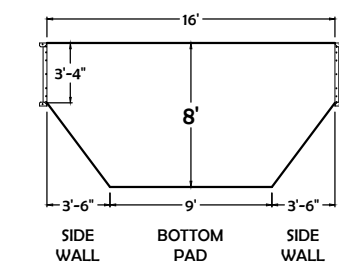
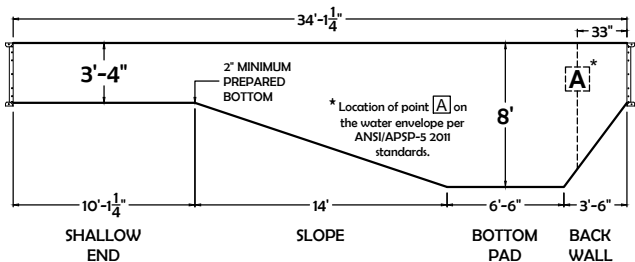
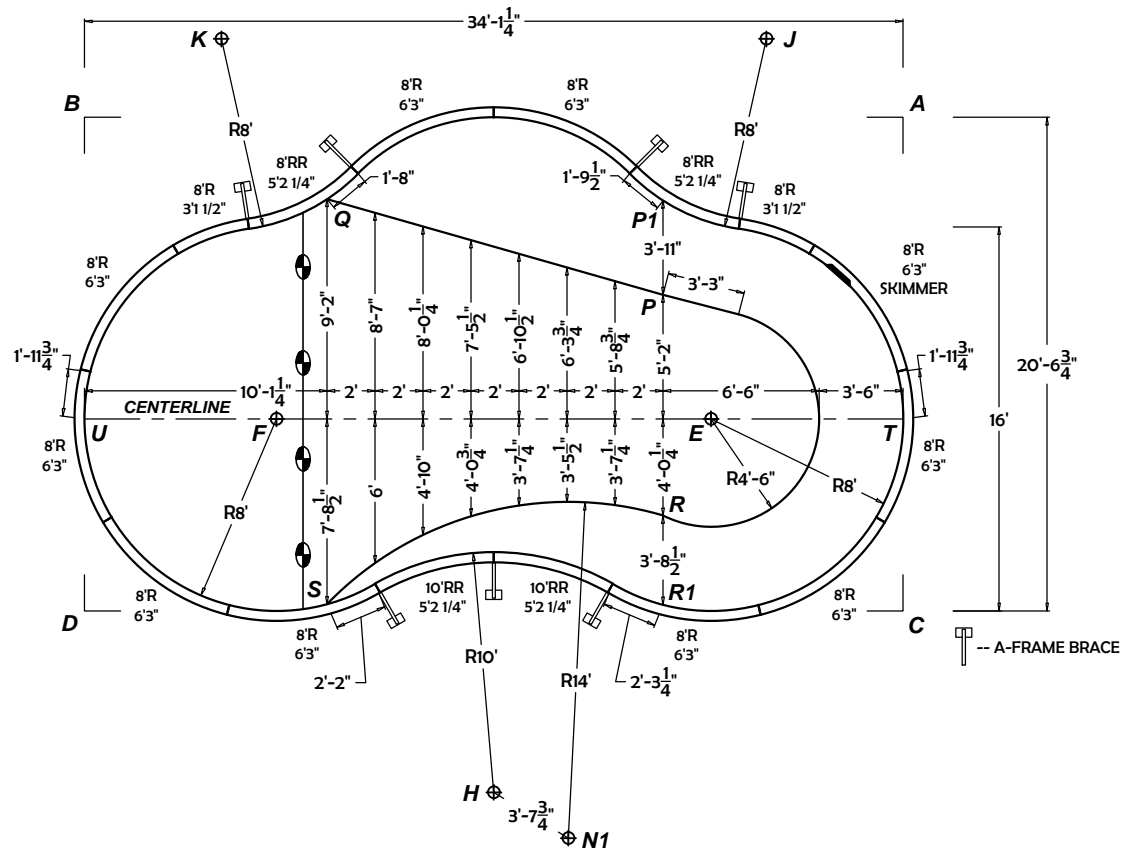
A	39'-10"
N1	22'-3 1/4"
P	27'-5 1/2"
P1	29'-6 1/2"
Q	19'-11"
R	24'-5 1/4"
R1	24'-1 1/4"
S	10'-1 1/4"
T	35'-0 1/4"
U	8'

FROM T TO:

N1	22'-4 1/4"
P	11'-3"
P1	13'-6 1/4"
Q	25'-8 1/4"
R	10'-9 1/2"
R1	12'-7 3/4"
S	25'-2 1/2"

FROM U TO:

N1	26'-8"
P	24'-7 3/4"
P1	25'-9 1/4"
Q	13'-7 3/4"
R	24'-5 1/4"
R1	25'-3 3/4"
S	12'-8 1/2"



20' x 34' Right Mountain Pond

Perimeter	89'-10"	page 2 of 2
Surface Area	518.05 SF	
Volume	17700 gal	
Liner Sq. Ft.	545.6667 SF	

ALL DIMENSIONS ARE FINISH DIMENSIONS

** see page A5 (full steel) & A6 (Nexus) for Radius Inside Steel Stair Filler specifications
** Coping Layouts are shown on pages A71 (Progressive) & A98 (CP2)

FROM A TO:	FROM B TO:
E	14'-10 3/4"
F	28'-11 3/4"
G	18'-10"
H	32'-10 3/4"
J	6'-6 3/4"
K	28'-7 1/4"
W	22'-10 3/4"
X	8'-3 1/4"
Y	27'-7 3/4"
Z	29'-4 1/4"

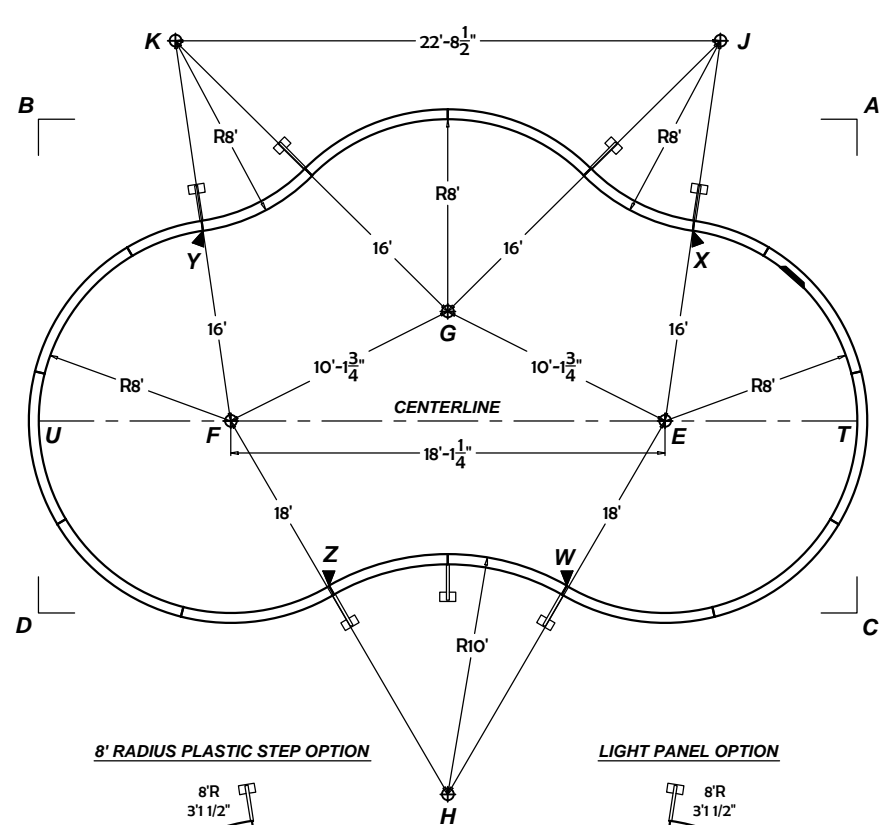
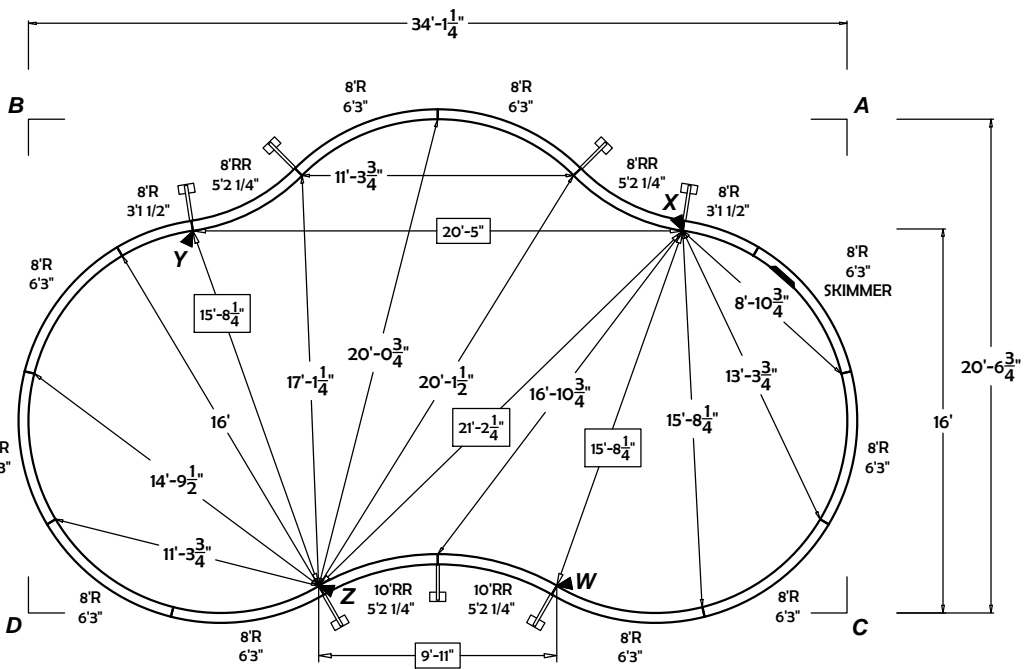
FROM B TO:	FROM C TO:
E	11'-3 3/4"
F	27'-3 1/2"
G	21'-2 1/4"
H	18'-7 3/4"
J	24'-6"
K	37'-1"
W	12'-1 3/4"
X	17'-4"
Y	8'-3 1/4"
Z	22'-0 1/2"

FROM D TO:	FROM T TO:
E	8'
F	26'-1 1/4"
G	17'-7 3/4"
H	23'-1"
J	16'-10"
K	32'-6 1/4"
W	13'-11"
X	10'-5 1/2"
Y	28'-4 1/2"
Z	23'-0 3/4"

FROM T TO:	FROM U TO:
E	26'-1 1/4"
F	8'
G	17'-7 3/4"
H	23'-1"
J	32'-6 1/4"
K	16'-10"
W	23'-0 3/4"
X	28'-4 1/2"
Y	10'-5 1/2"
Z	13'-11"

-- A-FRAME BRACE

A to D	39'-10"
B to C	

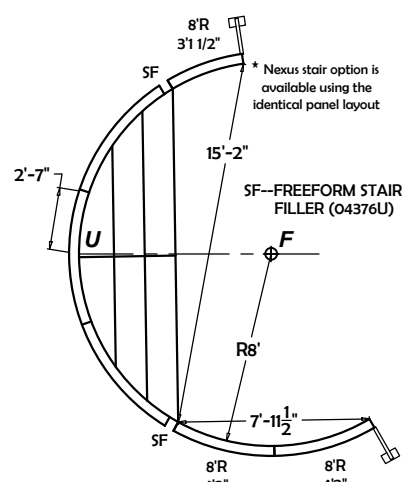


DIVING PERMITTED ONLY FROM DESIGNATED DIVING AREA.
The bottom configuration shown conforms with current ISPSC & ANSI / APSP / ICC suggested minimum standards for pools approved for use with manufactured diving equipment.

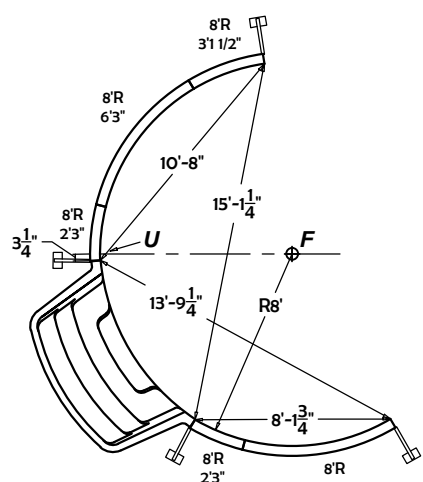
WARNING: Swimming pools can be dangerous if used improperly. Consult your dealer for information on safe use. It's the responsibility of town officials, builders and homeowners to follow safety recommendations of APSP/ANSI, local ordinances & equipment manufacturers.

- All work not specifically shown here is to be done in accordance with the requirements of the 2018 INTERNATIONAL SWIMMING POOL & SPA CODE, APSP/ANSI/ICC-5 2011 STANDARDS FOR RESIDENTIAL INGROUND SWIMMING POOLS, and all other local building codes.
- Construction Drawing: Different methods and precautions may be dictated by various ground conditions. This is to be determined by and is the responsibility of the contractor who is not an agent of the manufacturer of the component parts.
- Depth and shape of the pool meet minimum standards of the 2018 INTERNATIONAL SWIMMING POOL & SPA CODE and the APSP/ANSI/ICC-5 2011 STANDARDS FOR RESIDENTIAL INGROUND SWIMMING POOLS.
- A means of entry & exit for the deep end & shallow end of the pool must be provided in accordance with 2018 INTERNATIONAL SWIMMING POOL & SPA CODE, section 809.
- Equipotential bonding must be provided in accordance with the NATIONAL ELECTRIC CODE, NFPA 70.
- All A-frame braces are to be contained within an 8" thick continuous poured concrete (2500 psi) perimeter collar.
- Backfill with clean earth, free of roots and debris.
- Finished bottom is to be 2" minimum of suitable material or undisturbed earth.
- 3" wide, 3" thick concrete deck is to be poured at a slope of 1/4" to 1' away from the pool. NO DIVING labels are to be installed around the perimeter of the pool.
- A safety line, with buoys, is to be permanently attached 10' to the shallow side of the point of first slope change.
- Suction entrapment avoidance to be installed in accordance with APSP/ANSI/ICC-7

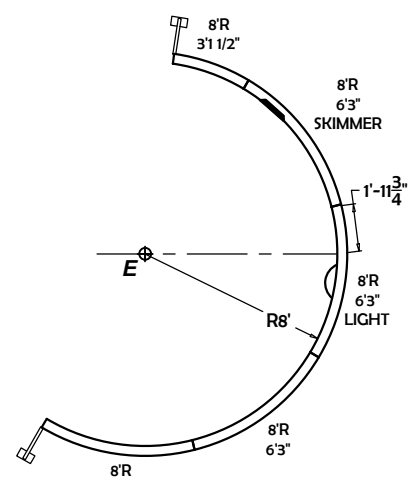
8'R x 14'W STEEL STAIR OPTION



8' RADIUS PLASTIC STEP OPTION



LIGHT PANEL OPTION



22' x 36' Left Mountain Pond

Perimeter	96'-2"	page			
Surface Area	609.08 SF	1 of 3			
Volume	20100 gal				
Liner Sq. Ft.	655.8750 SF				
ITEM #	PART DESCRIPTION	No Stairs	9'R x 15'W Stair	8'R Plastic Step	
04170	9' Radius Panel - 6'3"	9	6	7	
04172	9' Radius Skimmer - 6'3"	1	1	1	
04176	9' Radius Return - 6'3"	2	1	2	
04442	9' Radius Panel - 4'7 1/4"			1	
04175	9' Radius Panel - 3'9 3/4"		1		
04303	9' Radius Panel - 3'6 1/2"		1		
04300	10' Reverse Radius - 5'2 1/4"	4	4	4	
----	Adjustable A-Frame	7	7	9	
04032B	9'R x 15'W Steel Stair		1		
07418R5NR	8' Radius Step-n-Rest			1	
PAK-75	Nut & Bolt Pak - 75 pcs				
PAK-100	Nut & Bolt Pak - 100 pcs	2	2	2	
04444	9' Radius Light - 6'3"				
04173	9' Radius Panel - 3'1 1/2"				

ALL DIMENSIONS ARE FINISH DIMENSIONS

** see page A5 (full steel) & A6 (Nexus) for Radius Inside Steel Stair Filler specifications
 ** Coping Layouts are shown on pages A71 (Progressive) & A98 (CP2)

FROM A TO:

D	42'-6 3/4"
N1	34'-4 1/4"
P	12'-7 1/2"
P1	10'-7 1/4"
Q	24'-1"
R	20'-6 1/4"
R1	24'-1 3/4"
S	32'-1 1/2"
T	13'-0 1/4"
U	38'-8 1/4"

FROM B TO:

C	42'-6 3/4"
N1	38'-5"
P	27'-6 1/2"
P1	26'-8"
Q	12'-7 1/4"
R	31'-11 1/4"
R1	34'-4 1/2"
S	24'-8 1/2"
T	38'-8 1/4"
U	13'-0 1/4"

FROM C TO:

B	42'-6 3/4"
N1	16'-11"
P	17'-5 1/2"
P1	21'-0 1/2"
Q	31'-2 1/4"
R	10'-9 3/4"
R1	10'
S	24'
T	9'
U	37'-6 1/4"

FROM D TO:

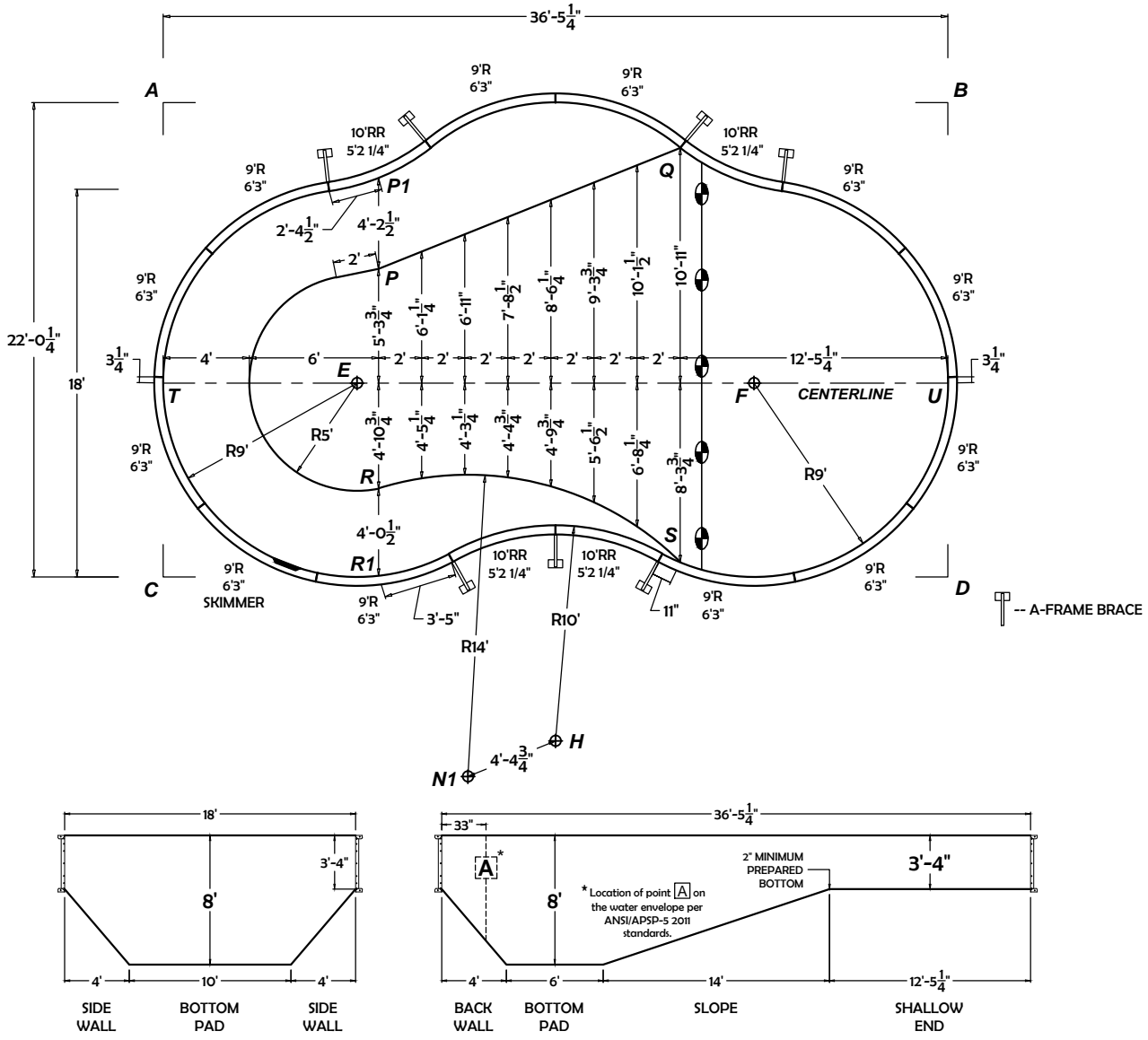
A	42'-6 3/4"
N1	24'-1 1/2"
P	30'-0 3/4"
P1	32'-3 1/4"
Q	23'-5 3/4"
R	26'-9"
R1	26'-5 1/4"
S	12'-5 1/2"
T	37'-6 1/4"
U	9'

FROM T TO:

N1	23'-1 1/4"
P	11'-3 3/4"
P1	13'-9 3/4"
Q	26'-4 1/2"
R	11'-1 3/4"
R1	13'-5"
S	25'-4 3/4"

FROM U TO:

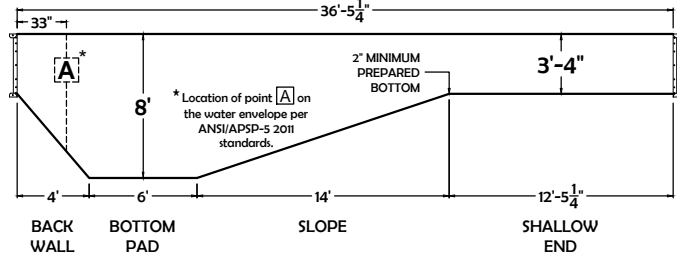
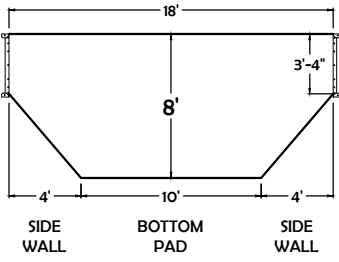
N1	28'-9 3/4"
P	26'-11 1/2"
P1	28'-1"
Q	16'-6 1/2"
R	26'-10 1/2"
R1	27'-10 3/4"
S	14'-11 1/2"



DIVING PERMITTED ONLY FROM DESIGNATED DIVING AREA.
 The bottom configuration shown conforms with current ISPSA & ANSI / APSP / ICC suggested minimum standards for pools approved for use with manufactured diving equipment.

WARNING: Swimming pools can be dangerous if used improperly. Consult your dealer for information on safe use. It's the responsibility of town officials, builders and homeowners to follow safety recommendations of APSP/ANSI, local ordinances & equipment manufacturers.

- All work not specifically shown here is to be done in accordance with the requirements of the 2018 INTERNATIONAL SWIMMING POOL & SPA CODE, APSP/ANSI/ICC-5 2011 STANDARDS FOR RESIDENTIAL INGROUND SWIMMING POOLS, and all other local building codes.
- Construction Drawing: Different methods and precautions may be dictated by various ground conditions. This is to be determined by and is the responsibility of the contractor who is not an agent of the manufacturer of the component parts.
- Depth and shape of the pool meet minimum standards of the 2018 INTERNATIONAL SWIMMING POOL & SPA CODE and the APSP/ANSI/ICC-5 2011 STANDARDS FOR RESIDENTIAL INGROUND SWIMMING POOLS.
- A means of entry & exit for the deep end & shallow end of the pool must be provided in accordance with 2018 INTERNATIONAL SWIMMING POOL & SPA CODE, section 809.
- Equipotential bonding must be provided in accordance with the NATIONAL ELECTRIC CODE, NFPA 70.
- All A-frame braces are to be contained within an 8" thick continuous poured concrete (2500 psi) perimeter collar.
- Backfill with clean earth, free of roots and debris.
- Finished bottom is to be 2" minimum of suitable material or undisturbed earth.
- 3" wide, 3" thick concrete deck is to be poured at a slope of 1/4" to 1' away from the pool.
- NO DIVING labels are to be installed around the perimeter of the pool.
- A safety line, with buoys, is to be permanently attached 10' to the shallow side of the point of first slope change.
- Suction entrapment avoidance to be installed in accordance with APSP/ANSI/ICC-7



22' x 36' Left Mountain Pond

ALL DIMENSIONS ARE FINISH DIMENSIONS

Perimeter	96'-2"	page 2 of 3
Surface Area	609.08 SF	
Volume	20100 gal	
Liner Sq. Ft.	655.8750 SF	

A to D	42'-6 3/4"
B to C	

FROM A TO:	
E	15'-10"
F	30'-4 1/2"
G	20'-3 3/4"
H	34'-9 1/2"
J	8'-6 1/2"
K	30'-8 1/2"
W	24'-9 1/2"
X	8'-9"
Y	29'-0 1/4"
Z	31'-3"

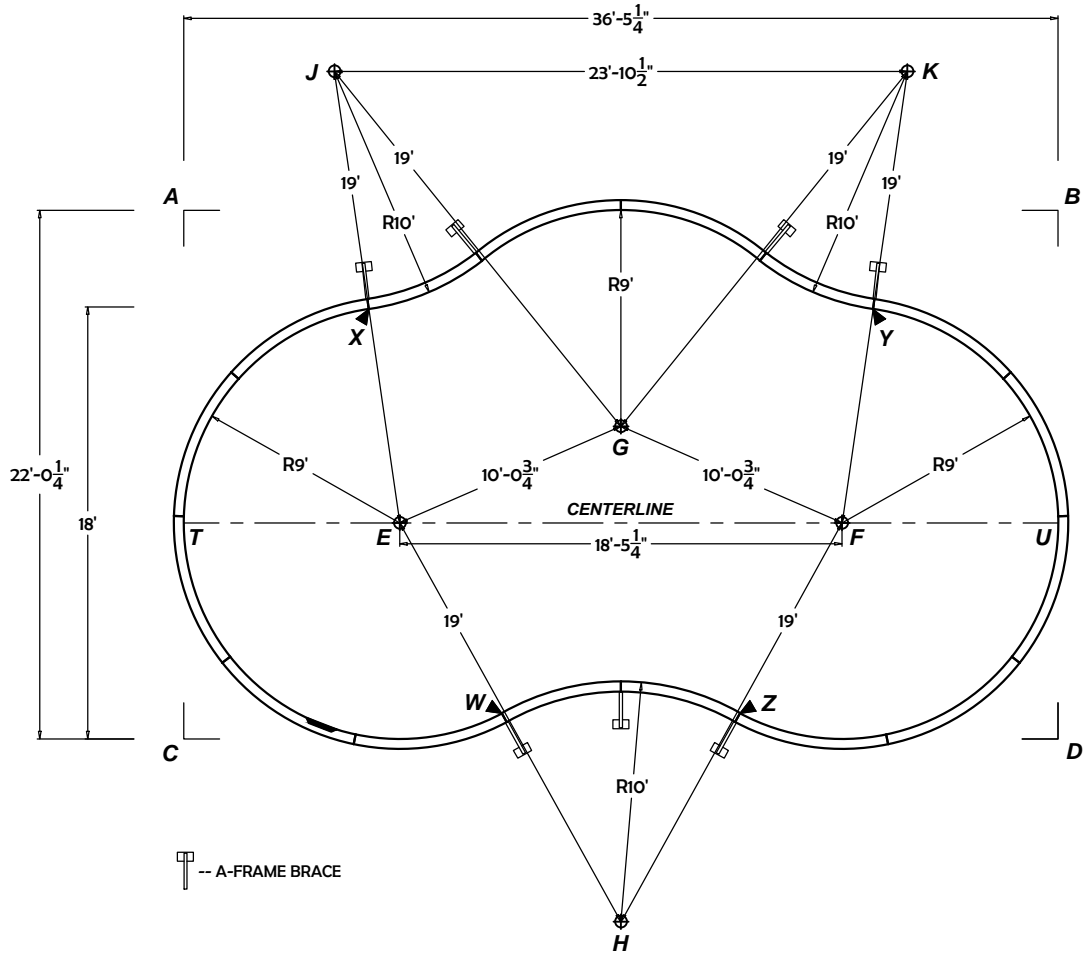
FROM B TO:	
E	30'-4 1/2"
F	15'-10"
G	20'-3 3/4"
H	34'-9 1/2"
J	30'-8 1/2"
K	8'-6 1/2"
W	3'-3"
X	29'-0 1/4"
Y	8'-9"
Z	24'-9 1/2"

FROM C TO:	
E	12'-8 3/4"
F	28'-10 1/2"
G	22'-4 3/4"
H	19'-9"
J	28'-6"
K	41'-0 1/4"
W	13'-3 1/2"
X	19'-6"
Y	33'-10 1/4"
Z	23'-2 1/4"

FROM D TO:	
E	28'-10 1/2"
F	12'-8 3/4"
G	22'-4 3/4"
H	19'-9"
J	41'-0 1/4"
K	28'-6"
W	23'-2 1/4"
X	33'-10 1/4"
Y	19'-6"
Z	13'-3 1/2"

FROM T TO:	
E	9'
F	27'-5 1/4"
G	18'-7 3/4"
H	24'-7 3/4"
J	19'-10"
K	35'-6 1/2"
W	15'-5 1/4"
X	11'-9 1/2"
Y	30'-0 3/4"
Z	24'-6"

FROM U TO:	
E	27'-5 1/4"
F	9'
G	18'-7 3/4"
H	24'-7 3/4"
J	35'-6 1/2"
K	19'-10"
W	24'-6"
X	30'-0 3/4"
Y	11'-9 1/2"
Z	15'-5 1/4"



DIVING PERMITTED ONLY FROM DESIGNATED DIVING AREA.
The bottom configuration shown conforms with current ISPSC & ANSI / APSP / ICC suggested minimum standards for pools approved for use with manufactured diving equipment.

WARNING: Swimming pools can be dangerous if used improperly. Consult your dealer for information on safe use. It's the responsibility of town officials, builders and homeowners to follow safety recommendations of APSP/ANSI, local ordinances & equipment manufacturers.

- All work not specifically shown here is to be done in accordance with the requirements of the 2018 INTERNATIONAL SWIMMING POOL & SPA CODE, APSP/ANSI/ICC-5 2011 STANDARDS FOR RESIDENTIAL INGROUND SWIMMING POOLS, and all other local building codes.
- Construction Drawing: Different methods and precautions may be dictated by various ground conditions. This is to be determined by and is the responsibility of the contractor who is not an agent of the manufacturer of the component parts.
- Depth and shape of the pool meet minimum standards of the 2018 INTERNATIONAL SWIMMING POOL & SPA CODE and the APSP/ANSI/ICC-5 2011 STANDARDS FOR RESIDENTIAL INGROUND SWIMMING POOLS.
- A means of entry & exit for the deep end & shallow end of the pool must be provided in accordance with 2018 INTERNATIONAL SWIMMING POOL & SPA CODE, section 809.
- Equipotential bonding must be provided in accordance with the NATIONAL ELECTRIC CODE, NFPA 70.
- All A-frame braces are to be contained within an 8" thick continuous poured concrete (2500 psi) perimeter collar.
- Backfill with clean earth, free of roots and debris.
- Finished bottom is to be 2" minimum of suitable material or undisturbed earth.
- 3" wide, 3" thick concrete deck is to be poured at a slope of 1/4" to 1' away from the pool.
- NO DIVING labels are to be installed around the perimeter of the pool.
- A safety line, with buoys, is to be permanently attached 1'0" to the shallow side of the point of first slope change.
- Suction entrapment avoidance to be installed in accordance with APSP/ANSI/ICC-7

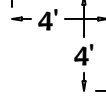
22' x 36' Left Mountain Pond

Perimeter	96'-2"	page 3 of 3
Surface Area	609.08 SF	
Volume	20100 gal	
Liner Sq. Ft.	655.8750 SF	

ALL DIMENSIONS ARE FINISH DIMENSIONS

** see page A5 (full steel) & A6 (Nexus) for Radius Inside Steel Stair Filler specifications

** Coping Layouts are shown on pages A71 (Progressive) & A98 (CP2)



FROM A TO:

W	24'-9 1/2"
X	8'-9"
Y	29'-0 1/4"
Z	31'-3"

FROM B TO:

W	31'-3"
X	29'-0 1/4"
Y	8'-9"
Z	24'-9 1/2"

FROM C TO:

W	13'-3 1/2"
X	19'-6"
Y	33'-10 1/4"
Z	23'-2 1/4"

FROM D TO:

W	23'-2 1/4"
X	33'-10 1/4"
Y	19'-6"
Z	13'-3 1/2"

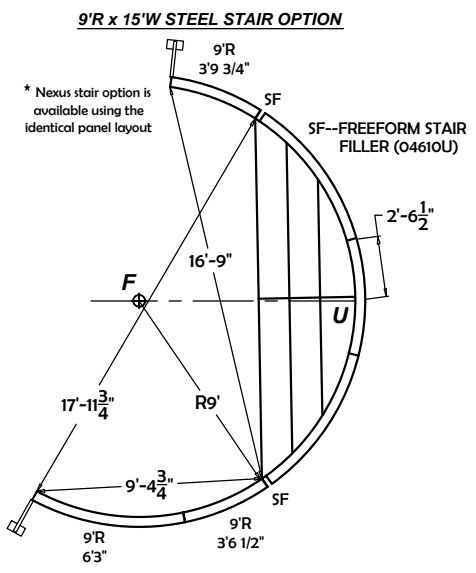
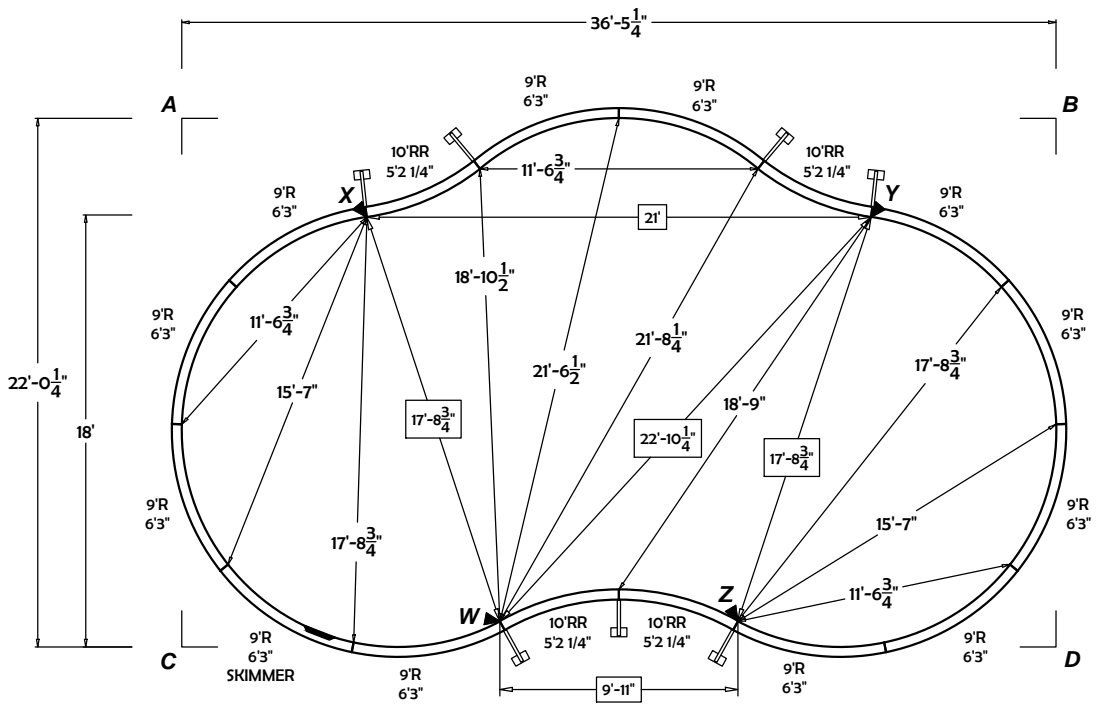
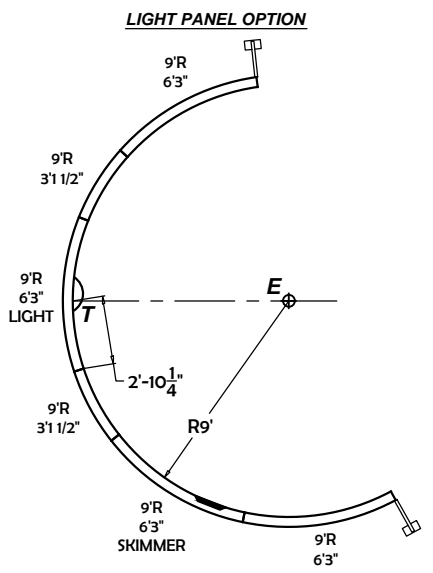
FROM T TO:

W	15'-5 1/4"
X	11'-9 1/2"
Y	30'-0 3/4"
Z	24'-6"

FROM U TO:

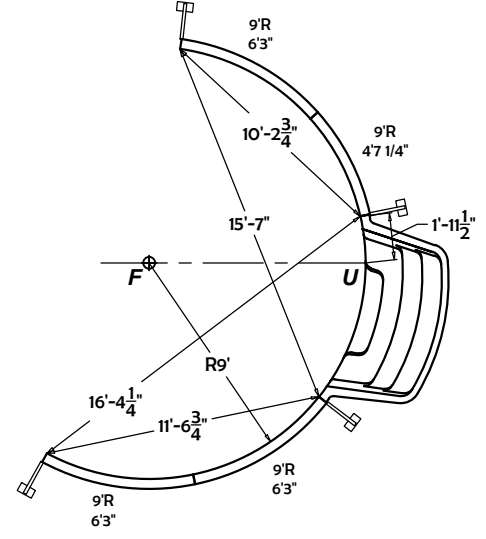
W	24'-6"
X	30'-0 3/4"
Y	11'-9 1/2"
Z	15'-5 1/4"

A to D 42'-6 3/4"



* Nexus stair option is available using the identical panel layout

8' RADIUS PLASTIC STEP OPTION



-- A-FRAME BRACE

DIVING PERMITTED ONLY FROM DESIGNATED DIVING AREA.
The bottom configuration shown conforms with current ISPS & ANSI / APSP / ICC suggested minimum standards for pools approved for use with manufactured diving equipment.

WARNING: Swimming pools can be dangerous if used improperly. Consult your dealer for information on safe use. It's the responsibility of town officials, builders and homeowners to follow safety recommendations of APSP/ANSI, local ordinances & equipment manufacturers.

- All work not specifically shown here is to be done in accordance with the requirements of the 2018 INTERNATIONAL SWIMMING POOL & SPA CODE, APSP/ANSI/ICC-5 2011 STANDARDS FOR RESIDENTIAL INGROUND SWIMMING POOLS, and all other local building codes.
- Construction Drawing: Different methods and precautions may be dictated by various ground conditions. This is to be determined by and is the responsibility of the contractor who is not an agent of the manufacturer of the component parts.
- Depth and shape of the pool meet minimum standards of the 2018 INTERNATIONAL SWIMMING POOL & SPA CODE and the APSP/ANSI/ICC-5 2011 STANDARDS FOR RESIDENTIAL INGROUND SWIMMING POOLS.
- A means of entry & exit for the deep end & shallow end of the pool must be provided in accordance with 2018 INTERNATIONAL SWIMMING POOL & SPA CODE, section 809.
- Equipotential bonding must be provided in accordance with the NATIONAL ELECTRIC CODE, NFPA 70.
- All A-frame braces are to be contained within an 8" thick continuous poured concrete (2500 psi) perimeter collar.
- Backfill with clean earth, free of roots and debris.
- Finished bottom is to be 2" minimum of suitable material or undisturbed earth.
- 3" wide, 3" thick concrete deck is to be poured at a slope of 1/4" to 1' away from the pool.
- NO DIVING labels are to be installed around the perimeter of the pool.
- A safety line, with buoys, is to be permanently attached 10' to the shallow side of the point of first slope change.
- Suction entrapment avoidance to be installed in accordance with APSP/ANSI/ICC-7

22' x 36' Right Mountain Pond

Perimeter	96'-2"	page 1 of 3	No Stairs	9'R x 15'W Stair	8'R Plastic Step
Surface Area	609.08 SF				
Volume	20100 gal				
Liner Sq. Ft.	655.8750 SF				

ITEM #	PART DESCRIPTION	No Stairs	9'R x 15'W Stair	8'R Plastic Step
04170	9' Radius Panel - 6'3"	9	6	7
04172	9' Radius Skimmer - 6'3"	1	1	1
04176	9' Radius Return - 6'3"	2	1	2
04442	9' Radius Panel - 4'7 1/4"			1
04175	9' Radius Panel - 3'9 3/4"		1	
04303	9' Radius Panel - 3'6 1/2"		1	
04300	10' Reverse Radius - 5'2 1/4"	4	4	4
----	Adjustable A-Frame	7	7	9
04032B	9'R x 15'W Steel Stair		1	
07418RSNR	8' Radius Step-n-Rest			1
PAK-75	Nut & Bolt Pak - 75 pcs			
PAK-100	Nut & Bolt Pak - 100 pcs	2	2	2
04444	9' Radius Light - 6'3"			
04173	9' Radius Panel - 3'1 1/2"			

DIVING PERMITTED ONLY FROM DESIGNATED DIVING AREA.
 The bottom configuration shown conforms with current ISPSA & ANSI / APSP / ICC suggested minimum standards for pools approved for use with manufactured diving equipment.

WARNING: Swimming pools can be dangerous if used improperly. Consult your dealer for information on safe use. It's the responsibility of town officials, builders and homeowners to follow safety recommendations of APSP/ANSI, local ordinances & equipment manufacturers.

- All work not specifically shown here is to be done in accordance with the requirements of the 2018 INTERNATIONAL SWIMMING POOL & SPA CODE, APSP/ANSI/ICC-5 2011 STANDARDS FOR RESIDENTIAL INGROUND SWIMMING POOLS, and all other local building codes.
- Construction Drawing: Different methods and precautions may be dictated by various ground conditions. This is to be determined by and is the responsibility of the contractor who is not an agent of the manufacturer of the component parts.
- Depth and shape of the pool meet minimum standards of the 2018 INTERNATIONAL SWIMMING POOL & SPA CODE and the APSP/ANSI/ICC-5 2011 STANDARDS FOR RESIDENTIAL INGROUND SWIMMING POOLS.
- A means of entry & exit for the deep end of the pool must be provided in accordance with 2018 INTERNATIONAL SWIMMING POOL & SPA CODE, section 809.
- Equipotential bonding must be provided in accordance with the NATIONAL ELECTRIC CODE, NFPA 70.
- All A-frame braces are to be contained within an 8" thick continuous poured concrete (2500 psi) perimeter collar.
- Backfill with clean earth, free of roots and debris.
- Finished bottom is to be 2" minimum of suitable material or undisturbed earth.
- 3' wide, 3" thick concrete deck is to be poured at a slope of 1/4" to 1' away from the pool.
- NO DIVING labels are to be installed around the perimeter of the pool.
- A safety line, with buoys, is to be permanently attached 10' to the shallow side of the point of first slope change.
- Suction entrapment avoidance to be installed in accordance with APSP/ANSI/ICC-7

ALL DIMENSIONS ARE FINISH DIMENSIONS

** see page A5 (full steel) & A6 (Nexus) for Radius Inside Steel Stair Filler specifications
 ** Coping Layouts are shown on pages A71 (Progressive) & A98 (CP2)

FROM A TO:

D	42'-6 3/4"
N1	34'-4 1/4"
P	12'-7 1/2"
P1	10'-7 1/4"
Q	24'-1"
R	20'-6 1/4"
R1	24'-1 3/4"
S	32'-1 1/2"
T	13'-0 1/4"
U	38'-8 1/4"

FROM B TO:

C	42'-6 3/4"
N1	38'-5"
P	27'-6 1/2"
P1	26'-8"
Q	12'-7 1/4"
R	31'-11 1/4"
R1	34'-4 1/2"
S	24'-8 1/2"
T	38'-8 1/4"
U	13'-0 1/4"

FROM C TO:

B	42'-6 3/4"
N1	16'-11"
P	17'-5 1/2"
P1	21'-0 1/2"
Q	31'-2 1/4"
R	10'-9 3/4"
R1	10'
S	24'
T	9'
U	37'-6 1/4"

FROM D TO:

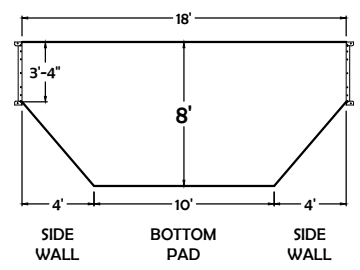
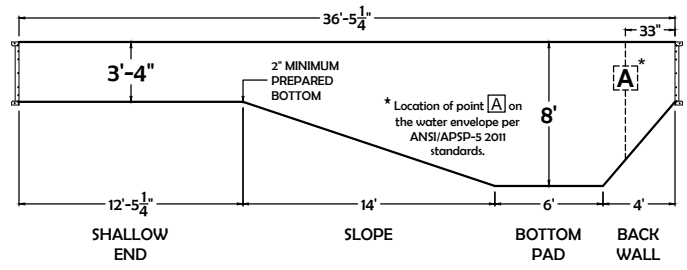
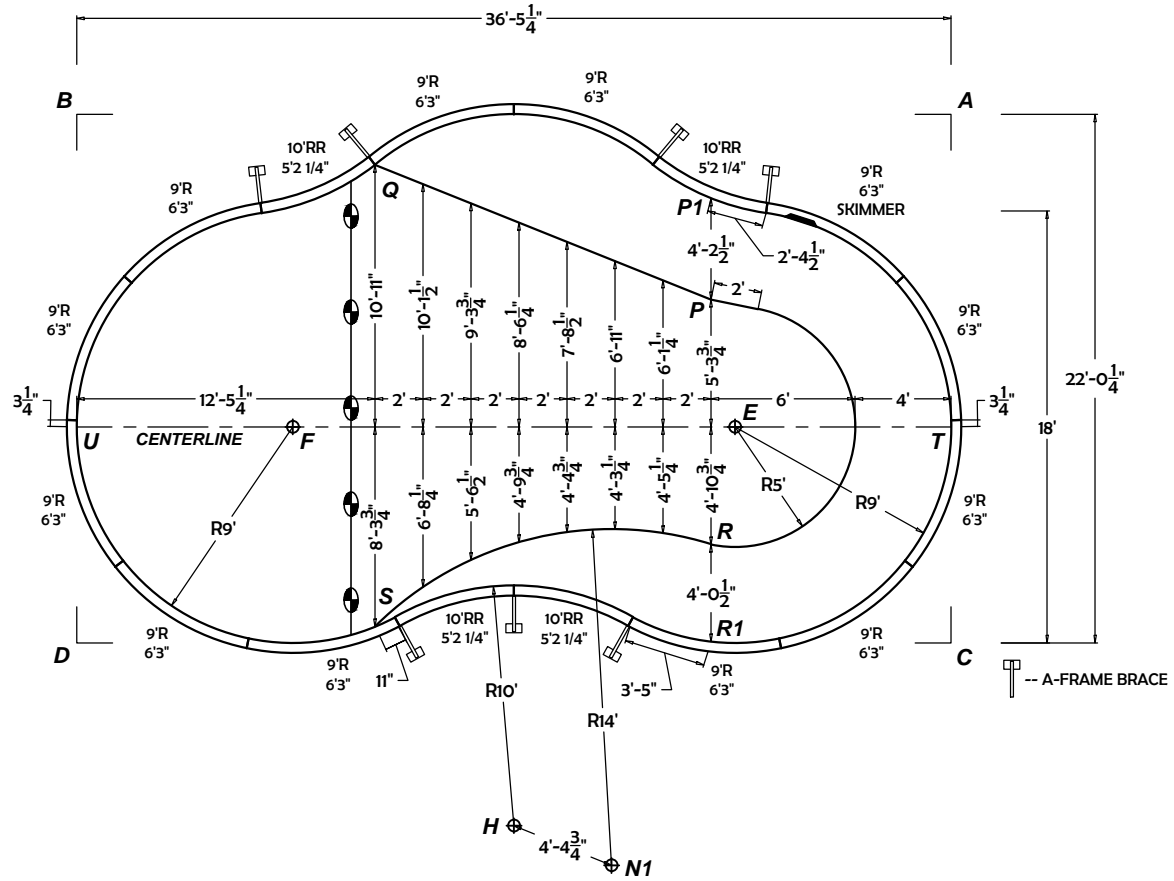
A	42'-6 3/4"
N1	24'-1 1/2"
P	30'-0 3/4"
P1	32'-3 1/4"
Q	23'-5 3/4"
R	26'-9"
R1	26'-5 1/4"
S	12'-5 1/2"
T	37'-6 1/4"
U	9'

FROM T TO:

N1	23'-1 1/4"
P	11'-3 3/4"
P1	13'-9 3/4"
Q	26'-4 1/2"
R	11'-1 3/4"
R1	13'-5"
S	25'-4 3/4"

FROM U TO:

N1	28'-9 3/4"
P	26'-11 1/2"
P1	28'-1"
Q	16'-6 1/2"
R	26'-10 1/2"
R1	27'-10 3/4"
S	14'-11 1/2"



22' x 36' Right Mountain Pond

ALL DIMENSIONS ARE FINISH DIMENSIONS

Perimeter	96'-2"	page 2 of 3
Surface Area	609.08 SF	
Volume	20100 gal	
Liner Sq. Ft.	655.8750 SF	

A to D	42'-6 3/4"
B to C	

FROM A TO:	
E	15'-10"
F	30'-4 1/2"
G	20'-3 3/4"
H	34'-9 1/2"
J	8'-6 1/2"
K	30'-8 1/2"
W	24'-9 1/2"
X	8'-9"
Y	29'-0 1/4"
Z	31'-3"

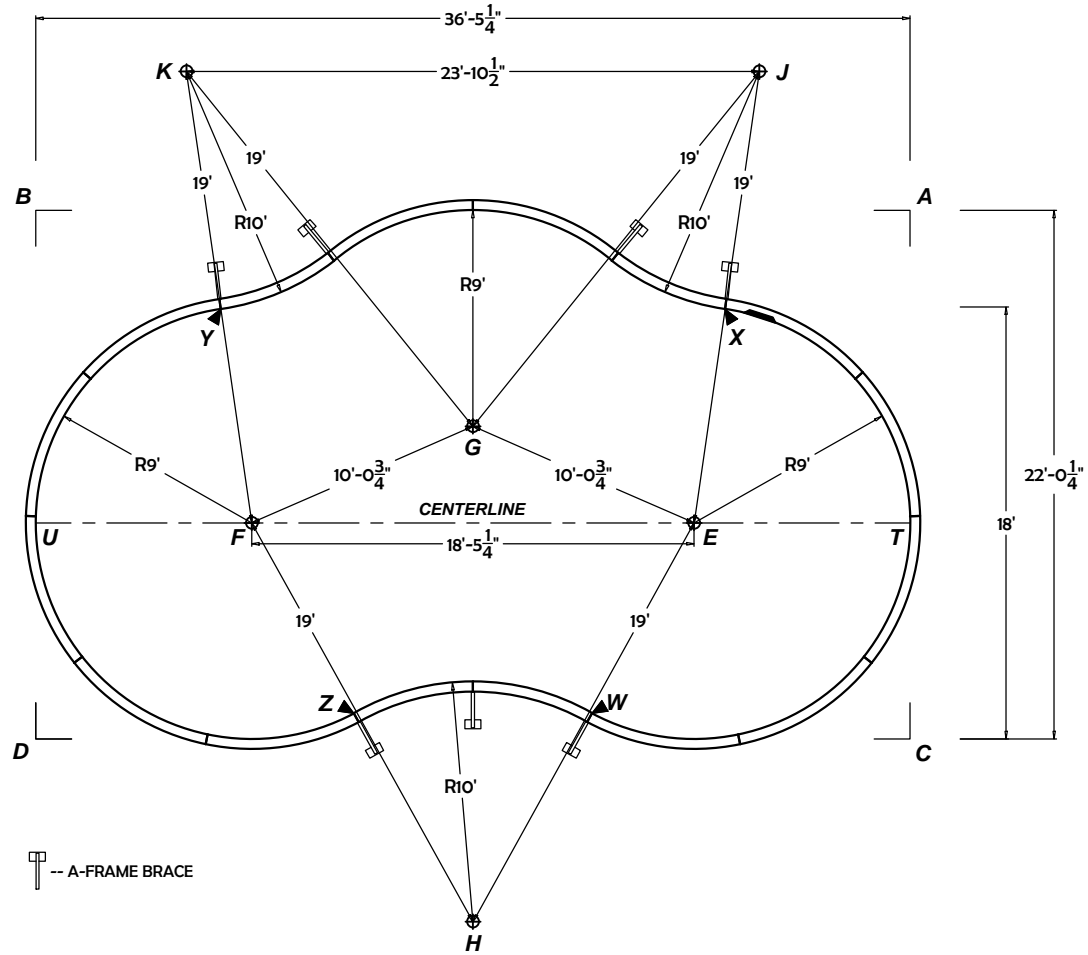
FROM B TO:	
E	30'-4 1/2"
F	15'-10"
G	20'-3 3/4"
H	34'-9 1/2"
J	30'-8 1/2"
K	8'-6 1/2"
W	31'-3"
X	29'-0 1/4"
Y	8'-9"
Z	24'-9 1/2"

FROM C TO:	
E	12'-8 3/4"
F	28'-10 1/2"
G	22'-4 3/4"
H	19'-9"
J	28'-6"
K	41'-0 1/4"
W	13'-3 1/2"
X	19'-6"
Y	33'-10 1/4"
Z	23'-2 1/4"

FROM D TO:	
E	28'-10 1/2"
F	12'-8 3/4"
G	22'-4 3/4"
H	19'-9"
J	41'-0 1/4"
K	28'-6"
W	23'-2 1/4"
X	33'-10 1/4"
Y	19'-6"
Z	13'-3 1/2"

FROM T TO:	
E	9'
F	27'-5 1/4"
G	18'-7 3/4"
H	24'-7 3/4"
J	19'-10"
K	35'-6 1/2"
W	15'-5 1/4"
X	11'-9 1/2"
Y	30'-0 3/4"
Z	24'-6"

FROM U TO:	
E	27'-5 1/4"
F	9'
G	18'-7 3/4"
H	24'-7 3/4"
J	35'-6 1/2"
K	19'-10"
W	24'-6"
X	30'-0 3/4"
Y	11'-9 1/2"
Z	15'-5 1/4"



DIVING PERMITTED ONLY FROM DESIGNATED DIVING AREA.
The bottom configuration shown conforms with current ISPSC & ANSI / APSP / ICC suggested minimum standards for pools approved for use with manufactured diving equipment.

WARNING: Swimming pools can be dangerous if used improperly. Consult your dealer for information on safe use. It's the responsibility of town officials, builders and homeowners to follow safety recommendations of APSP/ANSI, local ordinances & equipment manufacturers.

- All work not specifically shown here is to be done in accordance with the requirements of the 2018 INTERNATIONAL SWIMMING POOL & SPA CODE, APSP/ANSI/ICC-5 2011 STANDARDS FOR RESIDENTIAL INGROUND SWIMMING POOLS, and all other local building codes.
- Construction Drawing: Different methods and precautions may be dictated by various ground conditions. This is to be determined by and is the responsibility of the contractor who is not an agent of the manufacturer of the component parts.
- Depth and shape of the pool meet minimum standards of the 2018 INTERNATIONAL SWIMMING POOL & SPA CODE and the APSP/ANSI/ICC-5 2011 STANDARDS FOR RESIDENTIAL INGROUND SWIMMING POOLS.
- A means of entry & exit for the deep end & shallow end of the pool must be provided in accordance with 2018 INTERNATIONAL SWIMMING POOL & SPA CODE, section 809.
- Equipotential bonding must be provided in accordance with the NATIONAL ELECTRIC CODE, NFPA 70.
- All A-frame braces are to be contained within an 8" thick continuous poured concrete (2500 psi) perimeter collar.
- Backfill with clean earth, free of roots and debris.
- Finished bottom is to be 2" minimum of suitable material or undisturbed earth.
- 3" wide, 3" thick concrete deck is to be poured at a slope of 1/4" to 1' away from the pool.
- NO DIVING labels are to be installed around the perimeter of the pool.
- A safety line, with buoys, is to be permanently attached 1'0" to the shallow side of the point of first slope change.
- Suction entrapment avoidance to be installed in accordance with APSP/ANSI/ICC-7

-- A-FRAME BRACE

22' x 36' Right Mountain Pond

Perimeter	96'-2"	page 3 of 3
Surface Area	609.08 SF	
Volume	20100 gal	
Liner Sq. Ft.	655.8750 SF	

ALL DIMENSIONS ARE FINISH DIMENSIONS

** see page A5 (full steel) & A6 (Nexus) for Radius Inside Steel Stair Filler specifications

** Coping Layouts are shown on pages A71 (Progressive) & A98 (CP2)

A to D	42'-6 3/4"
B to C	

FROM A TO:	
W	24'-9 1/2"
X	8'-9"
Y	29'-0 1/4"
Z	31'-3"

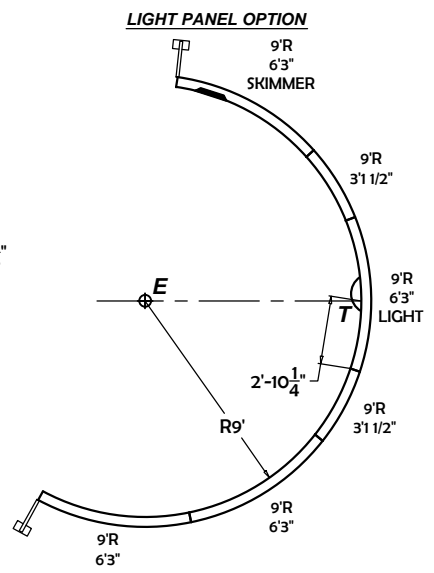
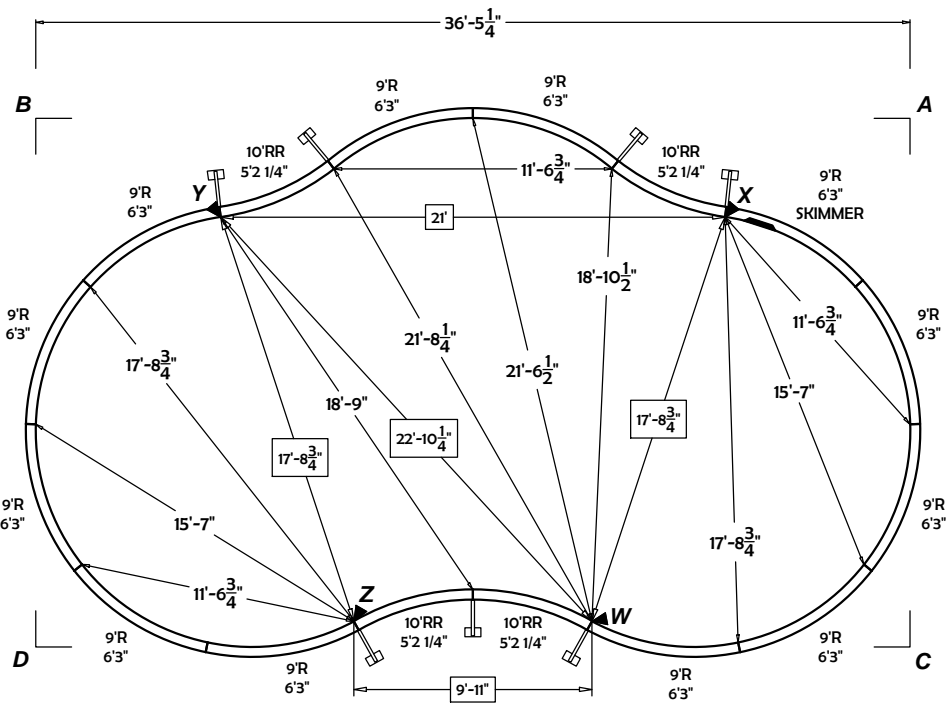
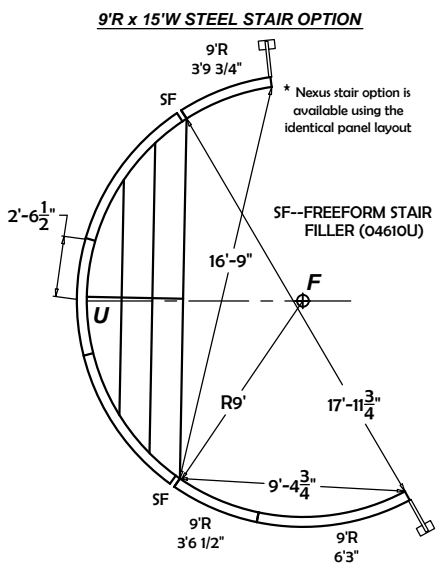
FROM B TO:	
W	31'-3"
X	29'-0 1/4"
Y	8'-9"
Z	24'-9 1/2"

FROM C TO:	
W	13'-3 1/2"
X	19'-6"
Y	33'-10 1/4"
Z	23'-2 1/4"

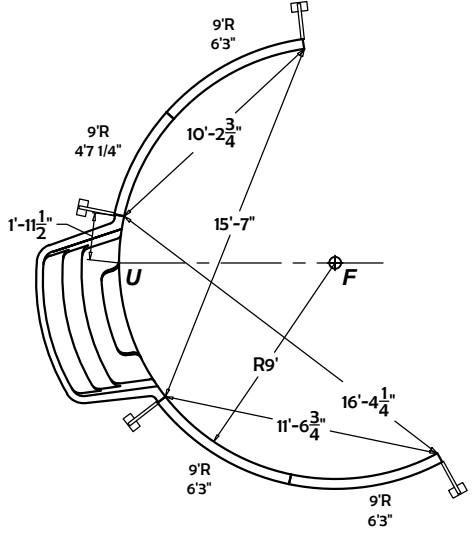
FROM D TO:	
W	23'-2 1/4"
X	33'-10 1/4"
Y	19'-6"
Z	13'-3 1/2"

FROM T TO:	
W	15'-5 1/4"
X	11'-9 1/2"
Y	30'-0 3/4"
Z	24'-6"

FROM U TO:	
W	24'-6"
X	30'-0 3/4"
Y	11'-9 1/2"
Z	15'-5 1/4"



8' RADIUS PLASTIC STEP OPTION



DIVING PERMITTED ONLY FROM DESIGNATED DIVING AREA.
The bottom configuration shown conforms with current ISPSC & ANSI / APSP / ICC suggested minimum standards for pools approved for use with manufactured diving equipment.

WARNING: Swimming pools can be dangerous if used improperly. Consult your dealer for information on safe use. It's the responsibility of town officials, builders and homeowners to follow safety recommendations of APSP/ANSI, local ordinances & equipment manufacturers.

- All work not specifically shown here is to be done in accordance with the requirements of the 2018 INTERNATIONAL SWIMMING POOL & SPA CODE, APSP/ANSI/ICC-5 2011 STANDARDS FOR RESIDENTIAL INGROUND SWIMMING POOLS, and all other local building codes.
- Construction Drawing: Different methods and precautions may be dictated by various ground conditions. This is to be determined by and is the responsibility of the contractor who is not an agent of the manufacturer of the component parts.
- Depth and shape of the pool meet minimum standards of the 2018 INTERNATIONAL SWIMMING POOL & SPA CODE and the APSP/ANSI/ICC-5 2011 STANDARDS FOR RESIDENTIAL INGROUND SWIMMING POOLS.
- A means of entry & exit for the deep end & shallow end of the pool must be provided in accordance with 2018 INTERNATIONAL SWIMMING POOL & SPA CODE, section 809.
- Equipotential bonding must be provided in accordance with the NATIONAL ELECTRIC CODE, NFPA 70.
- All A-frame braces are to be contained within an 8" thick continuous poured concrete (2500 psi) perimeter collar.
- Backfill with clean earth, free of roots and debris.
- Finished bottom is to be 2" minimum of suitable material or undisturbed earth.
- 3" wide, 3" thick concrete deck is to be poured at a slope of 1/4" to 1' away from the pool. NO DIVING labels are to be installed around the perimeter of the pool.
- A safety line, with buoys, is to be permanently attached 10' to the shallow side of the point of first slope change.
- Suction entrapment avoidance to be installed in accordance with APSP/ANSI/ICC-7

24' x 40' Left Mountain Pond

Perimeter	107'	page 1 of 3	No Stairs	10'R x 16'W Stair	8'R Plastic Step
Surface Area	742.41 SF				
Volume	24800 gal				
Liner Sq. Ft.	807.5000 SF				
ITEM #	PART DESCRIPTION				
04159	10' Radius Panel - 6'3"	5	3	3	
04477	10' Radius Skimmer - 6'3"	2	2	2	
04160	10' Radius Return - 6'3"	3	2	3	
04445	10' Radius Panel - 5'4"	2	2	2	
04308	10' Radius Panel - 5'1 3/4"	2	2	2	
04306	10' Radius Panel - 4'7 1/4"			1	
04307	10' Radius Panel - 3'1 1/2"	1	1	1	
04165	8' Reverse Radius - 6'3"	1	1	1	
04072	8' Reverse Radius - 5'2 1/4"	2	2	2	
04166	8' Reverse Radius - 3'4 1/2"	1	1	1	
----	Adjustable A-Frame	7	7	9	
04528B	10'R x 16'W Steel Stair		1		
07418RSNR	8' Radius Step-n-Rest			1	
PAK-75	Nut & Bolt Pak - 75 pcs				
PAK-100	Nut & Bolt Pak - 100 pcs	2	2	2	
04446	10' Radius Light - 6'3"				

DIVING PERMITTED ONLY FROM DESIGNATED DIVING AREA.
The bottom configuration shown conforms with current ISPSC & ANSI / APSP / ICC suggested minimum standards for pools approved for use with manufactured diving equipment.

WARNING: Swimming pools can be dangerous if used improperly. Consult your dealer for information on safe use. It's the responsibility of town officials, builders and homeowners to follow safety recommendations of APSP/ANSI, local ordinances & equipment manufacturers.

- All work not specifically shown here is to be done in accordance with the requirements of the 2018 INTERNATIONAL SWIMMING POOL & SPA CODE, APSP/ANSI/ICC-5 2011 STANDARDS FOR RESIDENTIAL INGROUND SWIMMING POOLS, and all other local building codes.
- Construction Drawing: Different methods and precautions may be dictated by various ground conditions. This is to be determined by and is the responsibility of the contractor who is not an agent of the manufacturer of the component parts.
- Depth and shape of the pool meet minimum standards of the 2018 INTERNATIONAL SWIMMING POOL & SPA CODE and the APSP/ANSI/ICC-5 2011 STANDARDS FOR RESIDENTIAL INGROUND SWIMMING POOLS.
- A means of entry & exit for the deep end & shallow end of the pool must be provided in accordance with 2018 INTERNATIONAL SWIMMING POOL & SPA CODE, section 809.
- Equipotential bonding must be provided in accordance with the NATIONAL ELECTRIC CODE, NFPA 70.
- All A-frame braces are to be contained within an 8" thick continuous poured concrete (2500 psi) perimeter collar.
- Backfill with clean earth, free of roots and debris.
- Finished bottom is to be 2" minimum of suitable material or undisturbed earth.
- 3" wide, 3" thick concrete deck is to be poured at a slope of 1/4" to 1' away from the pool.
- NO DIVING labels are to be installed around the perimeter of the pool.
- A safety line, with buoys, is to be permanently attached 10' to the shallow side of the point of first slope change.
- Suction entrapment avoidance to be installed in accordance with APSP/ANSI/ICC-7

ALL DIMENSIONS ARE FINISH DIMENSIONS

** Coping Layouts are shown on pages A71 (Progressive) & A98 (CP2)

FROM A TO:

D	47'-1 1/2"
N1	35'-2 1/2"
P	14'-7"
P1	12'-6"
Q	26'-0 3/4"
R	23'-3 1/4"
R1	26'-10 3/4"
S	34'-10 3/4"
T	14'-3 1/2"
U	42'-10"

FROM B TO:

C	47'-1 1/2"
N1	38'-11"
P	29'-6 3/4"
P1	28'-7 1/4"
Q	14'-6"
R	34'-8 1/4"
R1	37'-2 1/2"
S	27'-4 1/4"
T	42'-10"
U	14'-3 1/2"

FROM C TO:

B	47'-1 1/2"
N1	18'-0 1/2"
P	20'
P1	23'-11 3/4"
Q	34'-4"
R	12'-9 1/4"
R1	12'
S	26'-0 1/4"
T	10'
U	41'-7 1/4"

FROM D TO:

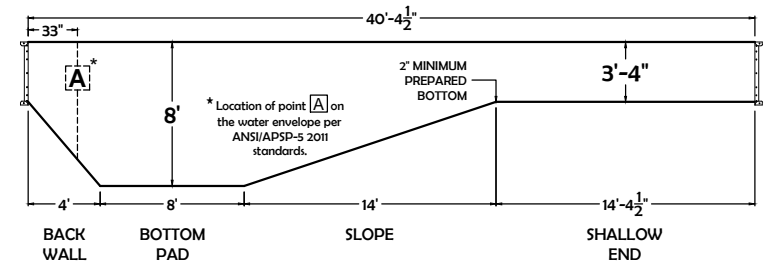
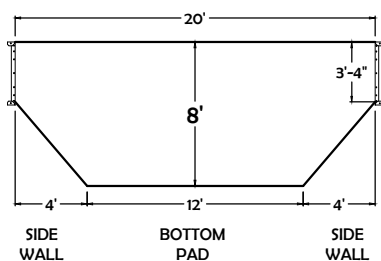
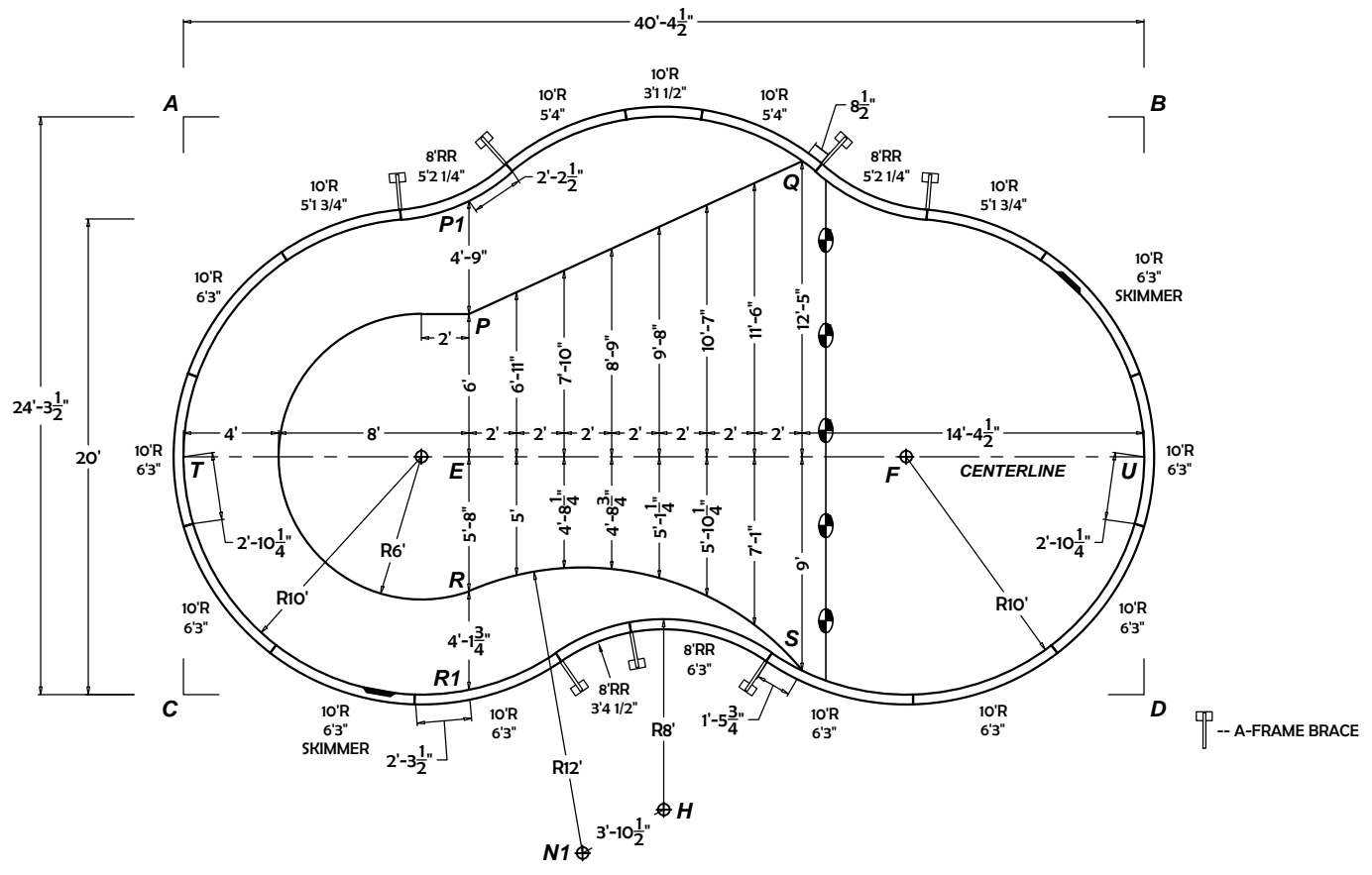
A	47'-1 1/2"
N1	24'-6 1/4"
P	32'-7"
P1	35'-2"
Q	26'-7 1/2"
R	28'-8 1/2"
R1	28'-4 1/2"
S	14'-5"
T	41'-7 1/4"
U	10'

FROM T TO:

N1	23'-7 3/4"
P	13'-5"
P1	16'-1 1/2"
Q	28'-9 3/4"
R	13'-3 1/4"
R1	15'-6"
S	27'-6 1/4"
U	40'-4 1/2"

FROM U TO:

N1	28'-10 3/4"
P	29'
P1	30'-4 1/4"
Q	19'
R	28'-11 1/4"
R1	30'-0 1/4"
S	16'-11 1/2"
T	40'-4 1/2"



* Location of point [A] on the water envelope per ANSI/APSP-5 2011 standards.

24' x 40' Left Mountain Pond

ALL DIMENSIONS ARE FINISH DIMENSIONS

Perimeter	107'	page 2 of 3
Surface Area	742.41 SF	
Volume	24800 gal	
Liner Sq. Ft.	807.5000 SF	

A to D	47'-1 1/2"
B to C	

FROM A TO:	
E	17'-5 1/4"
F	33'-6 3/4"
G	22'-6 1/4"
H	35'-5 1/4"
J	32'-1 1/2"
K	9'-2 1/2"
W	27'-5 1/4"
X	33'-5 1/2"
Y	31'-6 1/4"
Z	10'-11 1/4"

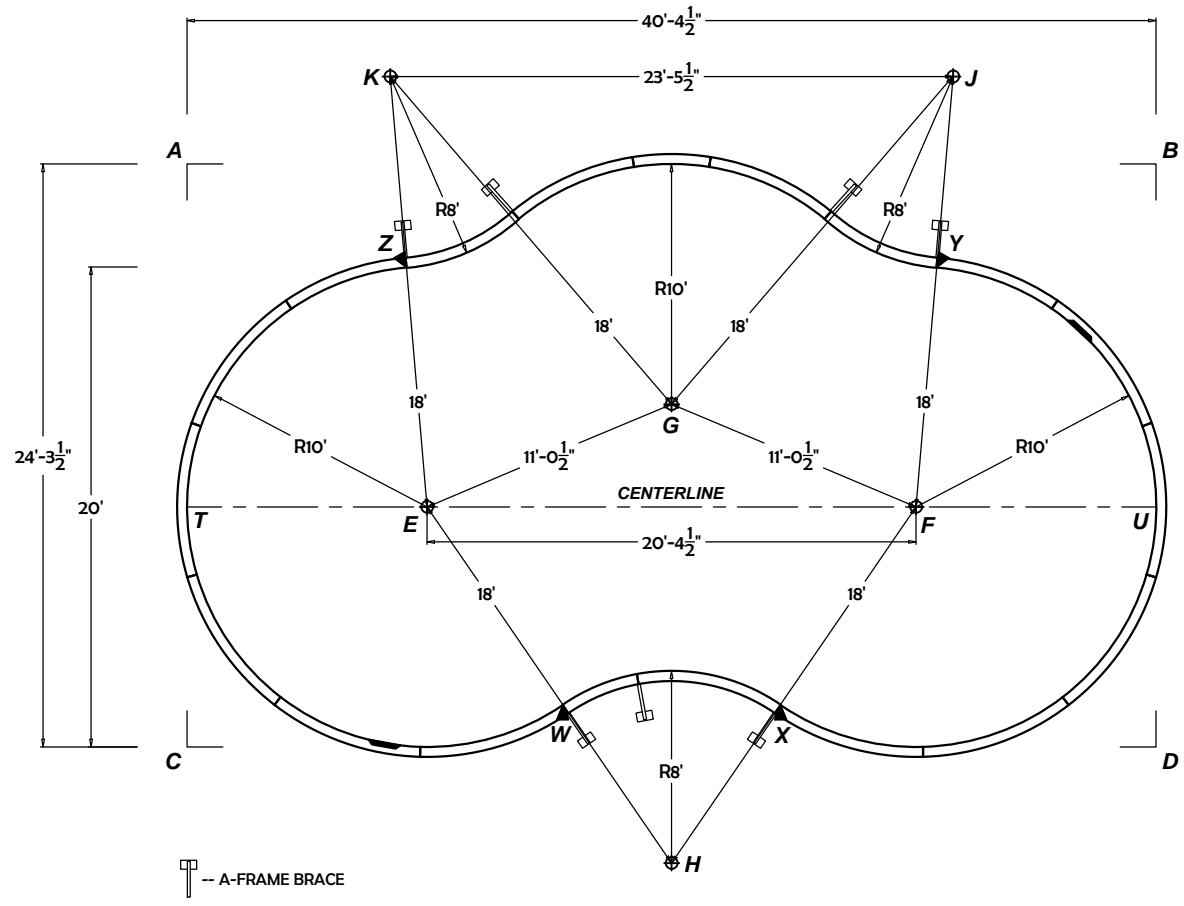
FROM B TO:	
E	33'-6 3/4"
F	17'-5 1/4"
G	22'-6 1/4"
H	35'-5 1/4"
J	9'-2 1/2"
K	32'-1 1/2"
W	33'-5 1/2"
X	27'-5 1/4"
Y	10'-1 1/4"
Z	31'-6 1/4"

FROM C TO:	
E	14'-1 3/4"
F	31'-11 3/4"
G	24'-8 3/4"
H	20'-9"
J	42'-5"
K	29'-2 1/4"
W	15'-9"
X	24'-9 1/2"
Y	37'-0 3/4"
Z	21'-11 1/2"

FROM D TO:	
E	31'-11 3/4"
F	14'-1 3/4"
G	24'-8 3/4"
H	20'-9"
J	29'-2 1/4"
K	42'-5"
W	24'-9 1/2"
X	15'-9"
Y	21'-11 1/2"
Z	37'-0 3/4"

FROM T TO:	
E	10'
F	30'-4 1/2"
G	20'-7 3/4"
H	25'-0 3/4"
J	36'-7 1/4"
K	19'-10"
W	17'-8 1/4"
X	26'-0 3/4"
Y	32'-9 1/2"
Z	13'-6 1/4"

FROM U TO:	
E	30'-4 1/2"
F	10'
G	20'-7 3/4"
H	25'-0 3/4"
J	19'-10"
K	36'-7 1/4"
W	26'-0 3/4"
X	17'-8 1/4"
Y	13'-6 1/4"
Z	32'-9 1/2"



DIVING PERMITTED ONLY FROM DESIGNATED DIVING AREA.
The bottom configuration shown conforms with current ISPSC & ANSI / APSP / ICC suggested minimum standards for pools approved for use with manufactured diving equipment.

WARNING: Swimming pools can be dangerous if used improperly. Consult your dealer for information on safe use. It's the responsibility of town officials, builders and homeowners to follow safety recommendations of APSP/ANSI, local ordinances & equipment manufacturers.

- All work not specifically shown here is to be done in accordance with the requirements of the 2018 INTERNATIONAL SWIMMING POOL & SPA CODE, APSP/ANSI/ICC-5 2011 STANDARDS FOR RESIDENTIAL INGROUND SWIMMING POOLS, and all other local building codes.
- Construction Drawing: Different methods and precautions may be dictated by various ground conditions. This is to be determined by and is the responsibility of the contractor who is not an agent of the manufacturer of the component parts.
- Depth and shape of the pool meet minimum standards of the 2018 INTERNATIONAL SWIMMING POOL & SPA CODE and the APSP/ANSI/ICC-5 2011 STANDARDS FOR RESIDENTIAL INGROUND SWIMMING POOLS.
- A means of entry & exit for the deep end & shallow end of the pool must be provided in accordance with 2018 INTERNATIONAL SWIMMING POOL & SPA CODE, section 809.
- Equipotential bonding must be provided in accordance with the NATIONAL ELECTRIC CODE, NFPA 70.
- All A-frame braces are to be contained within an 8" thick continuous poured concrete (2500 psi) perimeter collar.
- Backfill with clean earth, free of roots and debris.
- Finished bottom is to be 2" minimum of suitable material or undisturbed earth.
- 3" wide, 3" thick concrete deck is to be poured at a slope of 1/4" to 1' away from the pool. NO DIVING labels are to be installed around the perimeter of the pool.
- A safety line, with buoys, is to be permanently attached 10' to the shallow side of the point of first slope change.
- Suction entrapment avoidance to be installed in accordance with APSP/ANSI/ICC-7

24' x 40' Right Mountain Pond

Perimeter	107'	page 1 of 3	No Stairs	10'R x 16'W Stair	8'R Plastic Step
Surface Area	742.41 SF				
Volume	24800 gal				
Liner Sq. Ft.	807.5000 SF				
ITEM #	PART DESCRIPTION				
04159	10' Radius Panel - 6'3"	5	3	3	
04477	10' Radius Skimmer - 6'3"	2	2	2	
04160	10' Radius Return - 6'3"	3	2	3	
04445	10' Radius Panel - 5'4"	2	2	2	
04308	10' Radius Panel - 5'1 3/4"	2	2	2	
04306	10' Radius Panel - 4'7 1/4"			1	
04307	10' Radius Panel - 3'1 1/2"	1	1	1	
04165	8' Reverse Radius - 6'3"	1	1	1	
04072	8' Reverse Radius - 5'2 1/4"	2	2	2	
04166	8' Reverse Radius - 3'4 1/2"	1	1	1	
----	Adjustable A-Frame	7	7	9	
04528B	10'R x 16'W Steel Stair		1		
07418RSNR	8' Radius Step-n-Rest			1	
PAK-75	Nut & Bolt Pak - 75 pcs				
PAK-100	Nut & Bolt Pak - 100 pcs	2	2	2	
04446	10' Radius Light - 6'3"				

DIVING PERMITTED ONLY FROM DESIGNATED DIVING AREA.
The bottom configuration shown conforms with current ISPSC & ANSI / APSP / ICC suggested minimum standards for pools approved for use with manufactured diving equipment.

WARNING: Swimming pools can be dangerous if used improperly. Consult your dealer for information on safe use. It's the responsibility of town officials, builders and homeowners to follow safety recommendations of APSP/ANSI, local ordinances & equipment manufacturers.

- All work not specifically shown here is to be done in accordance with the requirements of the 2018 INTERNATIONAL SWIMMING POOL & SPA CODE, APSP/ANSI/ICC-5 2011 STANDARDS FOR RESIDENTIAL INGROUND SWIMMING POOLS, and all other local building codes.
- Construction Drawing: Different methods and precautions may be dictated by various ground conditions. This is to be determined by and is the responsibility of the contractor who is not an agent of the manufacturer of the component parts.
- Depth and shape of the pool meet minimum standards of the 2018 INTERNATIONAL SWIMMING POOL & SPA CODE and the APSP/ANSI/ICC-5 2011 STANDARDS FOR RESIDENTIAL INGROUND SWIMMING POOLS.
- A means of entry & exit for the deep end & shallow end of the pool must be provided in accordance with 2018 INTERNATIONAL SWIMMING POOL & SPA CODE, section 809.
- Equipotential bonding must be provided in accordance with the NATIONAL ELECTRIC CODE, NFPA 70.
- All A-frame braces are to be contained within an 8" thick continuous poured concrete (2500 psi) perimeter collar.
- Backfill with clean earth, free of roots and debris.
- Finished bottom is to be 2" minimum of suitable material or undisturbed earth.
- 3" wide, 3" thick concrete deck is to be poured at a slope of 1/4" to 1' away from the pool.
- NO DIVING labels are to be installed around the perimeter of the pool.
- A safety line, with buoys, is to be permanently attached 10' to the shallow side of the point of first slope change.
- Suction entrapment avoidance to be installed in accordance with APSP/ANSI/ICC-7

ALL DIMENSIONS ARE FINISH DIMENSIONS

** Coping Layouts are shown on pages A71 (Progressive) & A98 (CP2)

FROM A TO:

D	47'-1 1/2"
N1	35'-2 1/2"
P	14'-7"
P1	12'-6"
Q	26'-0 3/4"
R	23'-3 1/4"
R1	26'-10 3/4"
S	34'-10 3/4"
T	14'-3 1/2"
U	42'-10"

FROM B TO:

C	47'-1 1/2"
N1	38'-11"
P	29'-6 3/4"
P1	28'-7 1/4"
Q	14'-6"
R	34'-8 1/4"
R1	37'-2 1/2"
S	27'-4 1/4"
T	42'-10"
U	14'-3 1/2"

FROM C TO:

B	47'-1 1/2"
N1	18'-0 1/2"
P	20'
P1	23'-11 3/4"
Q	34'-4"
R	12'-9 1/4"
R1	12'
S	26'-0 1/4"
T	10'
U	41'-7 1/4"

FROM D TO:

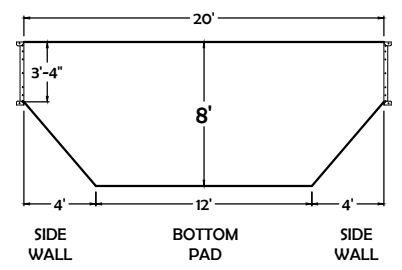
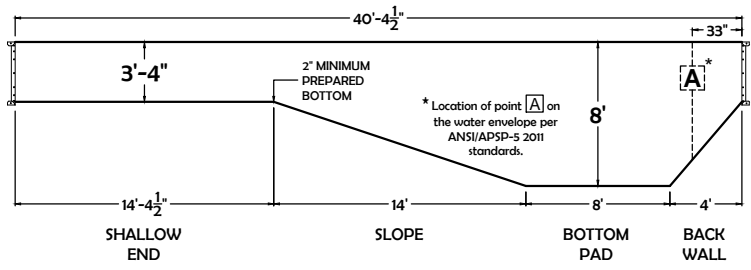
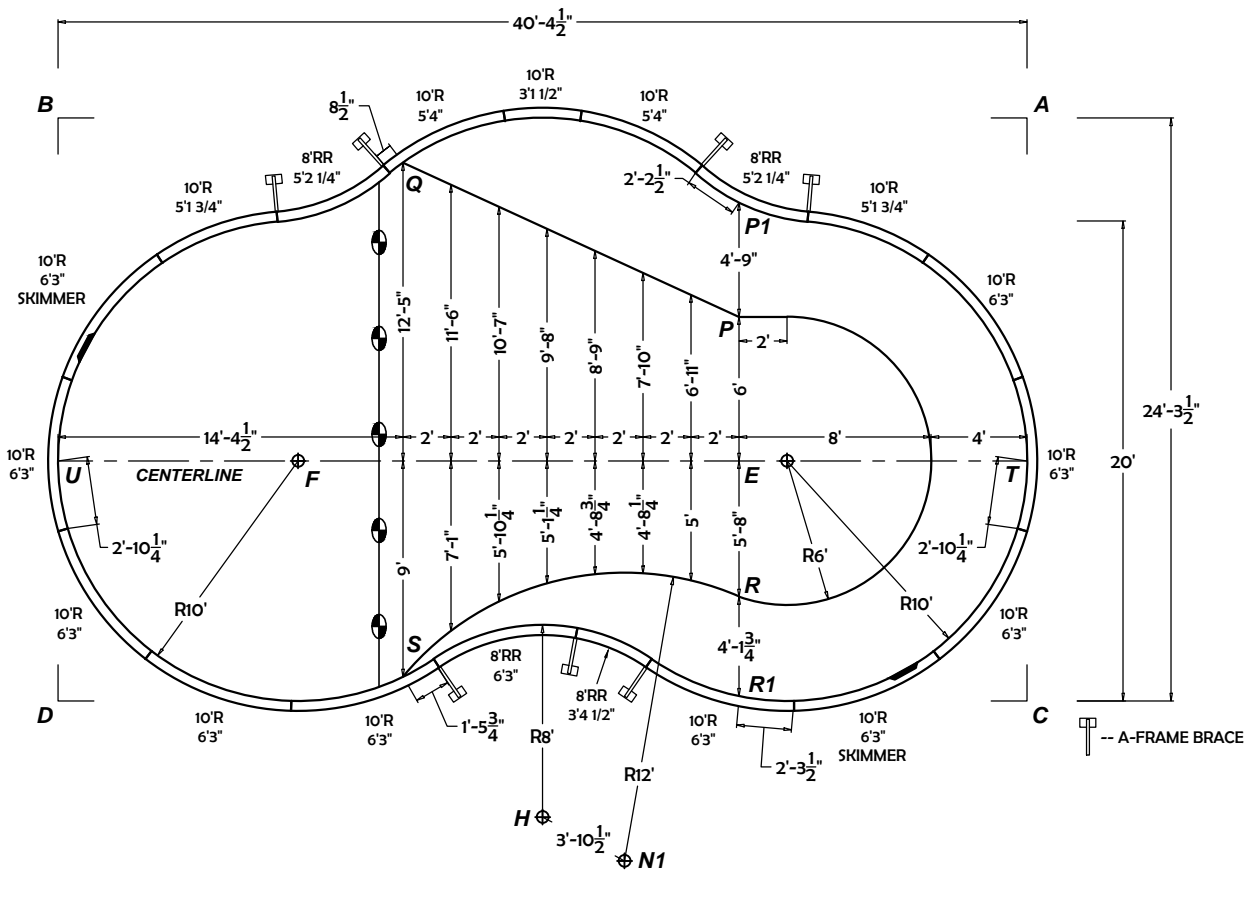
A	47'-1 1/2"
N1	24'-6 1/4"
P	32'-7"
P1	35'-2"
Q	26'-7 1/2"
R	28'-8 1/2"
R1	28'-4 1/2"
S	14'-5"
T	41'-7 1/4"
U	10'

FROM T TO:

N1	23'-7 3/4"
P	13'-5"
P1	16'-1 1/2"
Q	28'-9 3/4"
R	13'-3 1/4"
R1	15'-6"
S	27'-6 1/4"
U	40'-4 1/2"

FROM U TO:

N1	28'-10 3/4"
P	29'
P1	30'-4 1/4"
Q	19'
R	28'-11 1/4"
R1	30'-0 1/4"
S	16'-11 1/2"
T	40'-4 1/2"



4'
4'

24' x 40' Right Mountain Pond

Perimeter	107'	page 2 of 3
Surface Area	742.41 SF	
Volume	24800 gal	
Liner Sq. Ft.	807.5000 SF	

ALL DIMENSIONS ARE FINISH DIMENSIONS

FROM A TO:	
E	17'-5 1/4"
F	33'-6 3/4"
G	22'-6 1/4"
H	35'-5 1/4"
J	32'-1 1/2"
K	9'-2 1/2"
W	27'-5 1/4"
X	33'-5 1/2"
Y	31'-6 1/4"
Z	10'-11 1/4"

FROM B TO:	
E	33'-6 3/4"
F	17'-5 1/4"
G	22'-6 1/4"
H	35'-5 1/4"
J	9'-2 1/2"
K	32'-1 1/2"
W	33'-5 1/2"
X	27'-5 1/4"
Y	10'-1 1/4"
Z	31'-6 1/4"

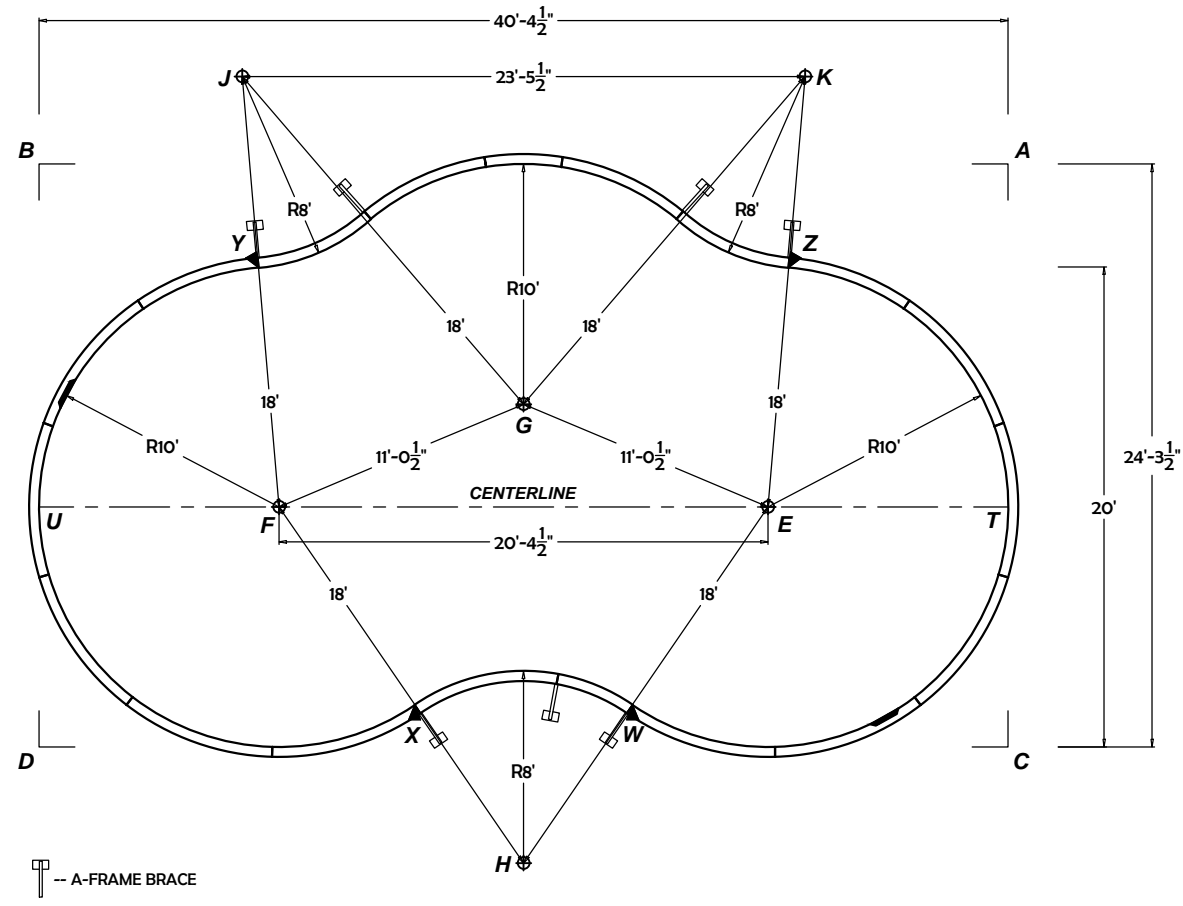
FROM C TO:	
E	14'-1 3/4"
F	31'-11 3/4"
G	24'-8 3/4"
H	20'-9"
J	42'-5"
K	29'-2 1/4"
W	15'-9"
X	24'-9 1/2"
Y	37'-0 3/4"
Z	21'-11 1/2"

FROM D TO:	
E	31'-11 3/4"
F	14'-1 3/4"
G	24'-8 3/4"
H	20'-9"
J	29'-2 1/4"
K	42'-5"
W	24'-9 1/2"
X	15'-9"
Y	21'-11 1/2"
Z	37'-0 3/4"

FROM T TO:	
E	10'
F	30'-4 1/2"
G	20'-7 3/4"
H	25'-0 3/4"
J	36'-7 1/4"
K	19'-10"
W	17'-8 1/4"
X	26'-0 3/4"
Y	32'-9 1/2"
Z	13'-6 1/4"

FROM U TO:	
E	30'-4 1/2"
F	10'
G	20'-7 3/4"
H	25'-0 3/4"
J	19'-10"
K	36'-7 1/4"
W	26'-0 3/4"
X	17'-8 1/4"
Y	13'-6 1/4"
Z	32'-9 1/2"

A to D	47'-1 1/2"
B to C	



DIVING PERMITTED ONLY FROM DESIGNATED DIVING AREA.
The bottom configuration shown conforms with current ISPSC & ANSI / APSP / ICC suggested minimum standards for pools approved for use with manufactured diving equipment.

WARNING: Swimming pools can be dangerous if used improperly. Consult your dealer for information on safe use. It's the responsibility of town officials, builders and homeowners to follow safety recommendations of APSP/ANSI, local ordinances & equipment manufacturers.

- All work not specifically shown here is to be done in accordance with the requirements of the 2018 INTERNATIONAL SWIMMING POOL & SPA CODE, APSP/ANSI/ICC-5 2011 STANDARDS FOR RESIDENTIAL INGROUND SWIMMING POOLS, and all other local building codes.
- Construction Drawing: Different methods and precautions may be dictated by various ground conditions. This is to be determined by and is the responsibility of the contractor who is not an agent of the manufacturer of the component parts.
- Depth and shape of the pool meet minimum standards of the 2018 INTERNATIONAL SWIMMING POOL & SPA CODE and the APSP/ANSI/ICC-5 2011 STANDARDS FOR RESIDENTIAL INGROUND SWIMMING POOLS.
- A means of entry & exit for the deep end & shallow end of the pool must be provided in accordance with 2018 INTERNATIONAL SWIMMING POOL & SPA CODE, section 809.
- Equipotential bonding must be provided in accordance with the NATIONAL ELECTRIC CODE, NFPA 70.
- All A-frame braces are to be contained within an 8" thick continuous poured concrete (2500 psi) perimeter collar.
- Backfill with clean earth, free of roots and debris.
- Finished bottom is to be 2" minimum of suitable material or undisturbed earth.
- 3" wide, 3" thick concrete deck is to be poured at a slope of 1/4" to 1' away from the pool. NO DIVING labels are to be installed around the perimeter of the pool.
- A safety line, with buoys, is to be permanently attached 10' to the shallow side of the point of first slope change.
- Suction entrapment avoidance to be installed in accordance with APSP/ANSI/ICC-7

24' x 40' Right Mountain Pond

ALL DIMENSIONS ARE FINISH DIMENSIONS

** Coping Layouts are shown on pages A71 (Progressive) & A98 (CP2)

4'
4'

Perimeter	107'	page 3 of 3
Surface Area	742.41 SF	
Volume	24800 gal	
Liner Sq. Ft.	807.5000 SF	

A to D	47'-1 1/2"
B to C	

FROM A TO:	
W	27'-5 1/4"
X	33'-5 1/2"
Y	31'-6 1/4"
Z	10'-1 1/4"

FROM B TO:	
W	33'-5 1/2"
X	27'-5 1/4"
Y	10'-1 1/4"
Z	31'-6 1/4"

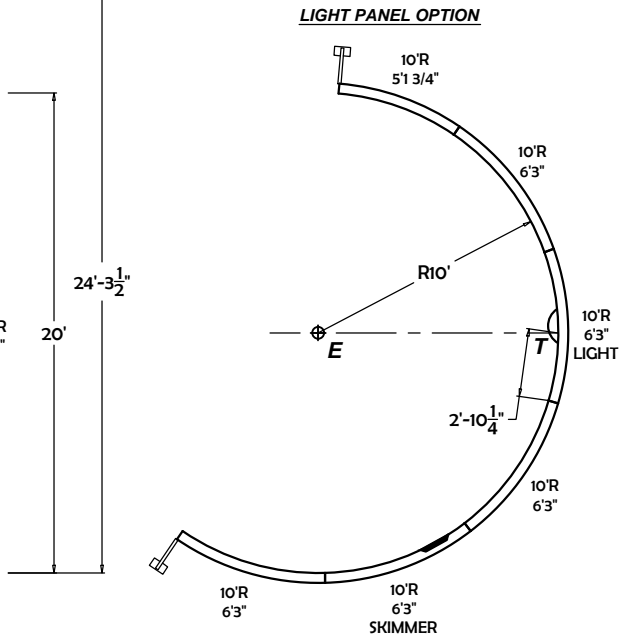
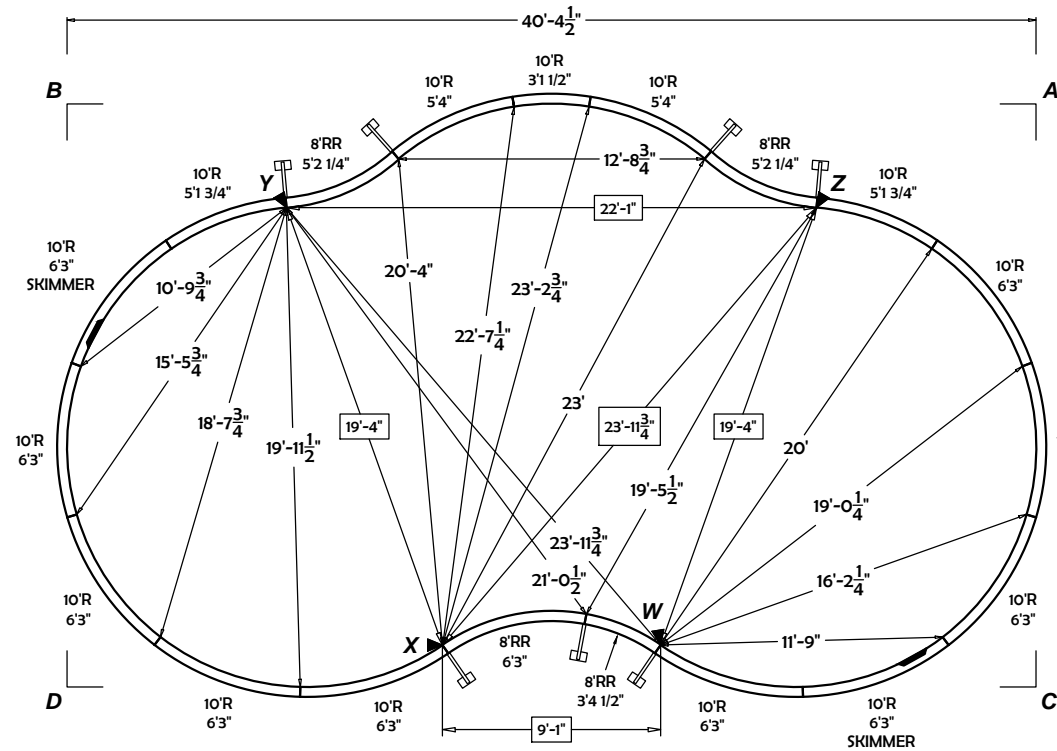
FROM C TO:	
W	15'-9"
X	24'-9 1/2"
Y	37'-0 3/4"
Z	21'-11 1/2"

FROM D TO:	
W	24'-9 1/2"
X	15'-9"
Y	21'-11 1/2"
Z	37'-0 3/4"

FROM T TO:	
W	17'-8 1/4"
X	26'-0 3/4"
Y	32'-9 1/2"
Z	13'-6 1/4"

FROM U TO:	
W	26'-0 3/4"
X	17'-8 1/4"
Y	13'-6 1/4"
Z	32'-9 1/2"

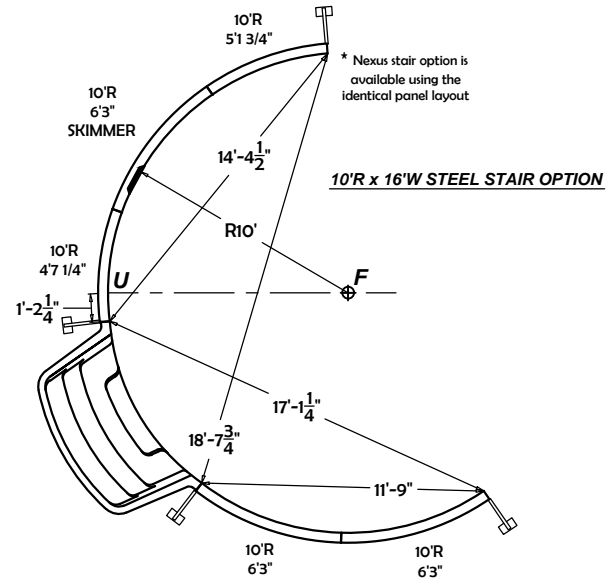
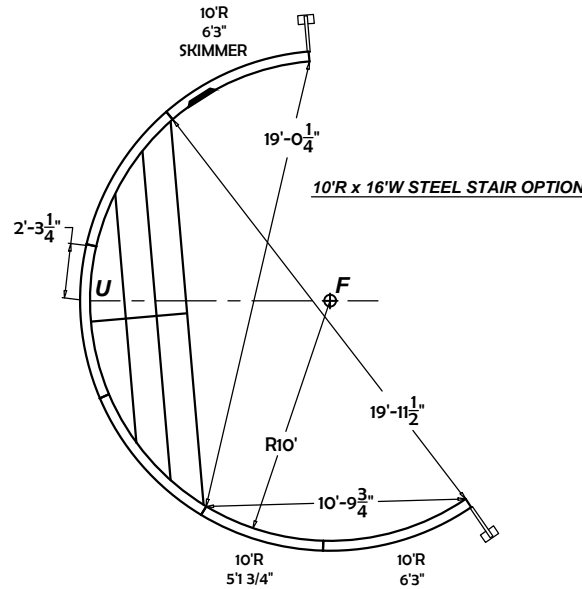
-- A-FRAME BRACE



DIVING PERMITTED ONLY FROM DESIGNATED DIVING AREA.
The bottom configuration shown conforms with current ISPSC & ANSI / APSP / ICC suggested minimum standards for pools approved for use with manufactured diving equipment.

WARNING: Swimming pools can be dangerous if used improperly. Consult your dealer for information on safe use. It's the responsibility of town officials, builders and homeowners to follow safety recommendations of APSP/ANSI, local ordinances & equipment manufacturers.

- All work not specifically shown here is to be done in accordance with the requirements of the 2018 INTERNATIONAL SWIMMING POOL & SPA CODE, APSP/ANSI/ICC-5 2011 STANDARDS FOR RESIDENTIAL INGROUND SWIMMING POOLS, and all other local building codes.
- Construction Drawing: Different methods and precautions may be dictated by various ground conditions. This is to be determined by and is the responsibility of the contractor who is not an agent of the manufacturer of the component parts.
- Depth and shape of the pool meet minimum standards of the 2018 INTERNATIONAL SWIMMING POOL & SPA CODE and the APSP/ANSI/ICC-5 2011 STANDARDS FOR RESIDENTIAL INGROUND SWIMMING POOLS.
- A means of entry & exit for the deep end & shallow end of the pool must be provided in accordance with 2018 INTERNATIONAL SWIMMING POOL & SPA CODE, section 809.
- Equipotential bonding must be provided in accordance with the NATIONAL ELECTRIC CODE, NFPA 70.
- All A-frame braces are to be contained within an 8" thick continuous poured concrete (2500 psi) perimeter collar.
- Backfill with clean earth, free of roots and debris.
- Finished bottom is to be 2" minimum of suitable material or undisturbed earth.
- 3" wide, 3" thick concrete deck is to be poured at a slope of 1/8" to 1' away from the pool.
- NO DIVING labels are to be installed around the perimeter of the pool.
- A safety line, with buoys, is to be permanently attached 10' to the shallow side of the point of first slope change.
- Suction entrapment avoidance to be installed in accordance with APSP/ANSI/ICC-7



20' x 32' Standard View Mountain Lake

Perimeter	82'-10"	page				
Surface Area	419.37 SF	1 of 2				
Volume	11050 gal					
Liner Sq. Ft.	507.0000 SF					
ITEM #	PART DESCRIPTION	No Stairs	6'R x 12'W Stair	8'R Plastic Step		
04162	8' Radius Panel - 6'3"	3	3	3		
04476	8' Radius Skimmer - 6'3"	1	1	1		
04167	8' Radius Return - 6'3"	1	1	1		
04437	6' Radius Panel - 6'3"	2				
04439	6' Radius Return - 6'3"	1				
04485	6' Radius Panel - 5'3"			1		
04486	6' Radius Return - 5'3"			1		
04474	6' Radius Panel - 1'11"		2			
04129	4' Radius Panel - 6'3"	1	1	1		
04165	8' Reverse Radius - 6'3"	3	3	3		
04481	6'4 1/2" Plain Panel	1	1	1		
04119	1' Plain Panel	1	1	1		
----	Adjustable A-Frame	8	8	10		
04021B	6'R x 12'W Steel Stair	1				
07418RSNR	8' Radius Step-n-Rest			1		
PAK-75	Nut & Bolt Pak - 75 pcs					
PAK-100	Nut & Bolt Pak - 100 pcs	2	2	2		
04134	8' Radius Light - 6'3"					
04133	8' Radius Panel - 3'1 1/2"					

ALL DIMENSIONS ARE FINISH DIMENSIONS

** see page A5 (full steel) & A6 (Nexus) for Radius Inside Steel Stair Filler specifications
** Coping Layouts are shown on pages A72 (Progressive) & A99 (CP2)

FROM A TO:

D	37'-7"
N1	28'-6 1/2"
N2	3'-6 1/4"
P	10'-8 1/4"
P1	6'-10 1/2"
Q	12'-11 1/2"
R	18'-6 3/4"
R1	22'-6 1/4"
S	23'-11"
T	15'-4 1/4"
U	27'-11 3/4"

FROM B TO:

C	37'-7"
N1	30'-4 1/4"
N2	28'-3 3/4"
P	26'-7 3/4"
P1	27'-2 3/4"
Q	19'-2 1/2"
R	27'-3"
R1	28'-4 3/4"
S	20'-8"
T	34'-7 1/2"
U	5'-6 1/2"

FROM C TO:

B	37'-7"
N1	14'-10 1/2"
N2	21'-5 3/4"
P	13'-4"
P1	16'-1 1/2"
Q	21'-7 1/4"
R	10'-5 3/4"
R1	11'-1 3/4"
S	18'-8 1/2"
T	4'-11"
U	32'-2 1/4"

FROM D TO:

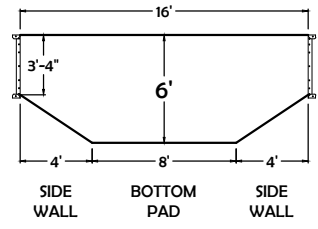
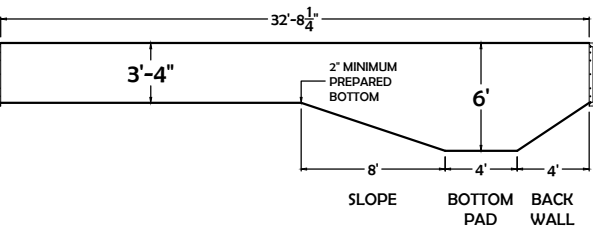
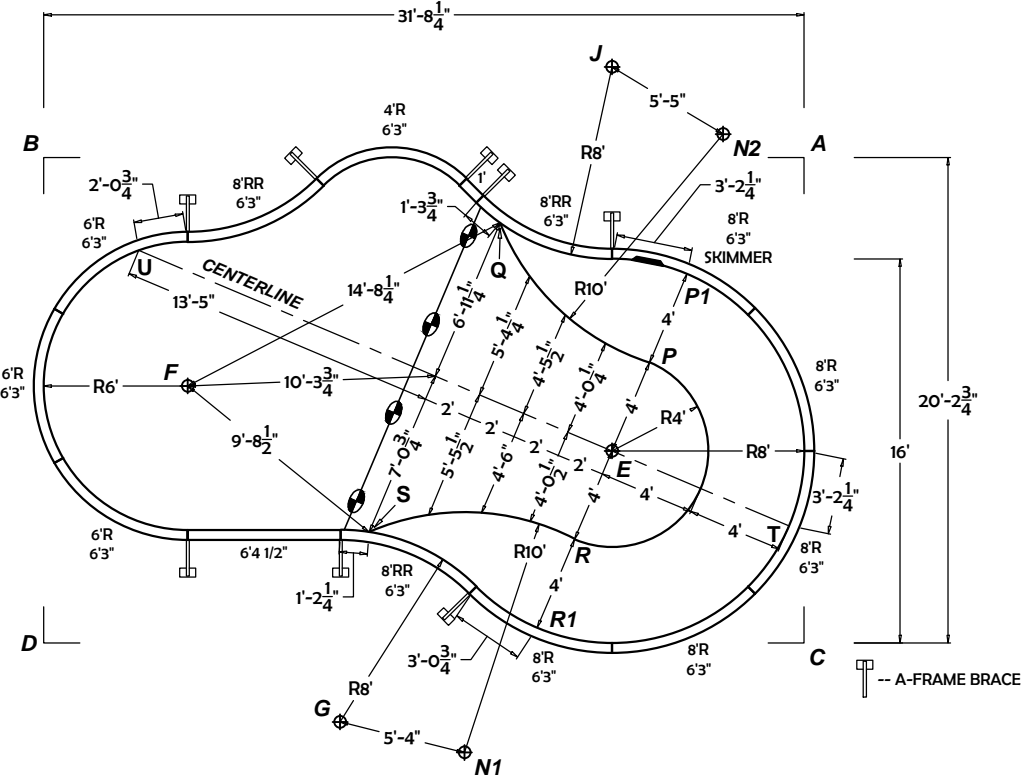
A	37'-7"
N1	18'-1 1/4"
N2	35'-4 1/4"
P	27'-9 3/4"
P1	30'-10 3/4"
Q	25'-10"
R	22'-6 1/2"
R1	20'-6 3/4"
S	14'-3 3/4"
T	31'-5"
U	16'-10"

FROM T TO:

N1	16'-6"
N2	16'-6 1/2"
P	8'-11 1/4"
P1	11'-3 3/4"
Q	17'-5 1/4"
R	8'-11 1/4"
R1	11'-3 3/4"
S	17'-6"

FROM U TO:

N1	24'-11 1/4"
N2	24'-9 3/4"
P	21'-9 1/2"
P1	22'-10 1/4"
Q	15'-1 1/4"
R	21'-9 1/2"
R1	22'-10 1/4"
S	15'-2"



NO DIVING PERMITTED INTO THIS POOL
The bottom configuration shown conforms with current ISPSA & ANSI / APSP / ICC suggested minimum standards for pools NOT approved for diving.

WARNING: Swimming pools can be dangerous if used improperly. Consult your dealer for information on safe use. It's the responsibility of town officials, builders and homeowners to follow safety recommendations of APSP/ANSI, local ordinances & equipment manufacturers.

- All work not specifically shown here is to be done in accordance with the requirements of the 2018 INTERNATIONAL SWIMMING POOL & SPA CODE, APSP/ANSI/ICC-5 2011 STANDARDS FOR RESIDENTIAL INGROUND SWIMMING POOLS, and all other local building codes.
- Construction Drawing: Different methods and precautions may be dictated by various ground conditions. This is to be determined by and is the responsibility of the contractor who is not an agent of the manufacturer of the component parts.
- Depth and shape of the pool meet minimum standards of the 2018 INTERNATIONAL SWIMMING POOL & SPA CODE and the APSP/ANSI/ICC-5 2011 STANDARDS FOR RESIDENTIAL INGROUND SWIMMING POOLS.
- A means of entry & exit for the deep end & shallow end of the pool must be provided in accordance with 2018 INTERNATIONAL SWIMMING POOL & SPA CODE, section 809.
- Equipotential bonding must be provided in accordance with the NATIONAL ELECTRIC CODE, NFPA 70.
- All A-frame braces are to be contained within an 8" thick continuous poured concrete (2500 psi) perimeter collar.
- Backfill with clean earth, free of roots and debris.
- Finished bottom is to be 2" minimum of suitable material or undisturbed earth.
- 3" wide, 3" thick concrete deck is to be poured at a slope of 1/4" to 1' away from the pool.
- NO DIVING labels are to be installed around the perimeter of the pool.
- A safety line, with buoys, is to be permanently attached 10' to the shallow side of the point of first slope change.
- Suction entrapment avoidance to be installed in accordance with APSP/ANSI/ICC-7

20' x 32' Standard View Mountain Lake

Perimeter	82'-10"	page 2 of 2
Surface Area	419.37 SF	
Volume	11050 gal	
Liner Sq. Ft.	507.0000 SF	

**ALL DIMENSIONS
ARE FINISH
DIMENSIONS**

** see page A5 (full steel) & A6 (Nexus) for Radius
Inside Steel Stair Filler specifications
** Coping Layouts are shown on
pages A72 (Progressive) & A99 (CP2)

FROM A TO:

E	14'-7 1/4"
F	27'-4 1/2"
G	30'-5 1/4"
H	17'-7 3/4"
J	8'-10 1/4"
K	26'-0 3/4"
W	21'-9"
X	9'-0 1/2"
Y	25'-11"
Z	30'

FROM B TO:

E	26'-7 3/4"
F	11'-3"
G	26'-6 3/4"
H	15'-0 1/4"
J	23'-11 3/4"
K	7'-6"
W	31'-1 3/4"
X	24'-0 1/2"
Y	6'-11 1/2"
Z	16'-7 1/2"

FROM C TO:

E	11'-3 3/4"
F	27'-9 3/4"
G	19'-7 1/4"
H	23'-7 3/4"
J	25'-3 1/2"
K	35'-7 1/2"
W	8'
X	17'-10 3/4"
Y	30'-7 3/4"
Z	26'-1 1/4"

FROM D TO:

E	25'
F	12'-3 1/4"
G	12'-9 1/4"
H	21'-9"
J	33'-8 1/2"
K	25'-5"
W	23'-8 1/4"
X	28'-7"
Y	17'-9"
Z	7'-7 1/2"

FROM T TO:

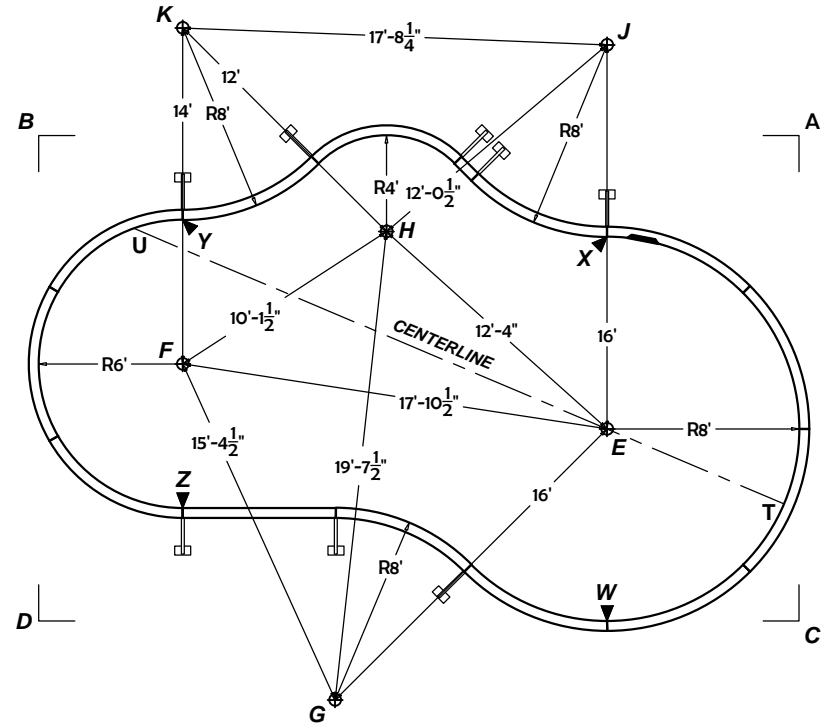
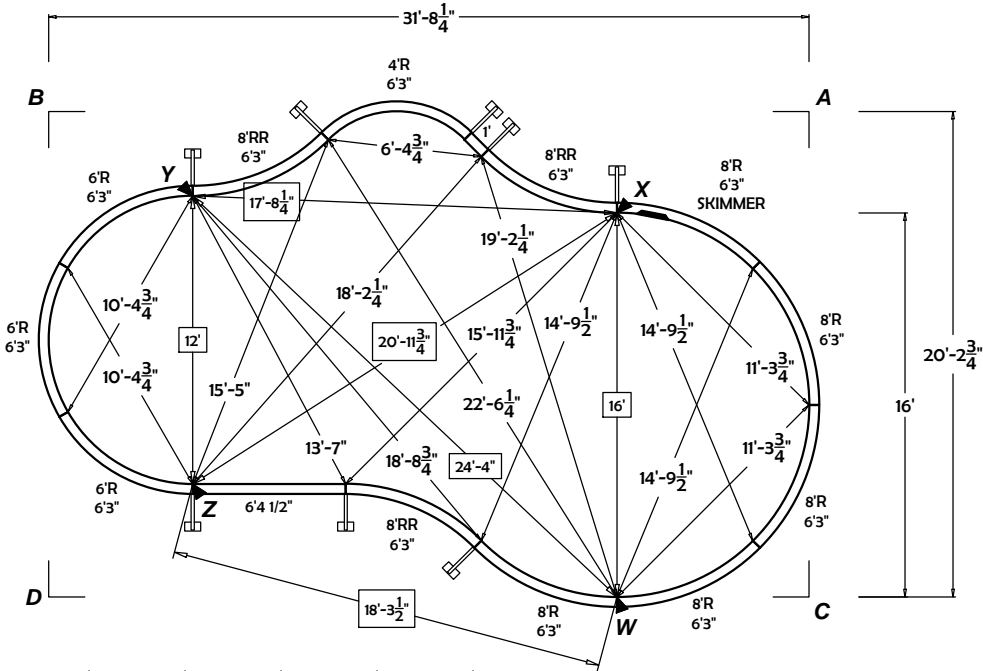
E	8'
F	25'-8 1/2"
G	20'-5"
H	20'-0 3/4"
J	20'-6"
K	31'-11 1/4"
W	8'-10"
X	13'-4"
Y	27'-8 1/4"
Z	25'-0 1/2"

FROM U TO:

E	21'-5"
F	6'
G	21'-4 1/4"
H	10'-6 1/4"
J	21'-1 3/4"
K	8'-7 1/4"
W	25'-7 1/2"
X	19'-8 1/2"
Y	2'-0 3/4"
Z	11'-9 3/4"

-- A-FRAME BRACE

A to D 37'-7"



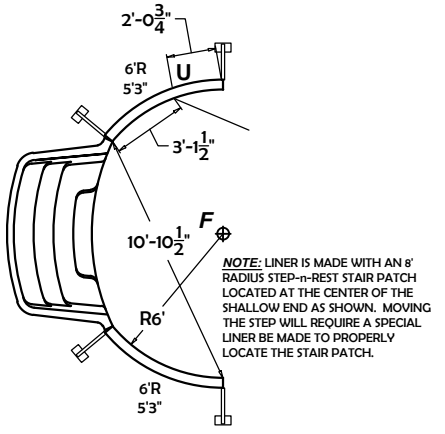
NO DIVING PERMITTED INTO THIS POOL

The bottom configuration shown conforms with current ISPS & ANSI / APSP / ICC suggested minimum standards for pools **NOT** approved for diving.

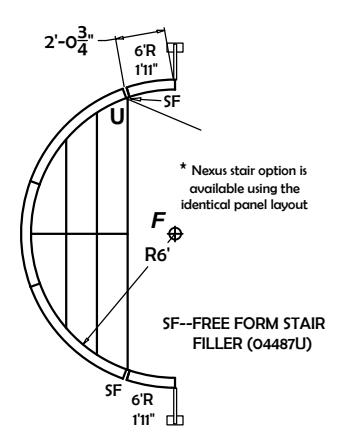
WARNING: Swimming pools can be dangerous if used improperly. Consult your dealer for information on safe use. It's the responsibility of town officials, builders and homeowners to follow safety recommendations of APSP/ANSI, local ordinances & equipment manufacturers.

- All work not specifically shown here is to be done in accordance with the requirements of the 2018 INTERNATIONAL SWIMMING POOL & SPA CODE, APSP/ANSI/ICC-5 2011 STANDARDS FOR RESIDENTIAL INGROUND SWIMMING POOLS, and all other local building codes.
- Construction Drawing: Different methods and precautions may be dictated by various ground conditions. This is to be determined by and is the responsibility of the contractor who is not an agent of the manufacturer of the component parts.
- Depth and shape of the pool meet minimum standards of the 2018 INTERNATIONAL SWIMMING POOL & SPA CODE and the APSP/ANSI/ICC-5 2011 STANDARDS FOR RESIDENTIAL INGROUND SWIMMING POOLS.
- A means of entry & exit for the deep end & shallow end of the pool must be provided in accordance with 2018 INTERNATIONAL SWIMMING POOL & SPA CODE, section 809.
- Equipotential bonding must be provided in accordance with the NATIONAL ELECTRIC CODE, NFPA 70.
- All A-frame braces are to be contained within an 8" thick continuous poured concrete (2500 psi) perimeter collar.
- Backfill with clean earth, free of roots and debris.
- Finished bottom is to be 2" minimum of suitable material or undisturbed earth.
- 3" wide, 3" thick concrete deck is to be poured at a slope of 1/8" to 1" away from the pool.
- NO DIVING labels are to be installed around the perimeter of the pool.
- A safety line, with buoys, is to be permanently attached 10' to the shallow side of the point of first slope change.
- Suction entrapment avoidance to be installed in accordance with APSP/ANSI/ICC-7

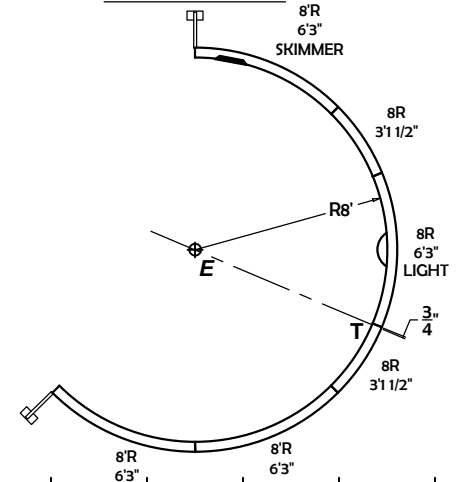
8' RADIUS PLASTIC STEP OPTION



6'R x 12'W STEEL STAIR OPTION



LIGHT PANEL OPTION



20' x 32' Reverse View Mountain Lake

Perimeter	82'-10"	page								
Surface Area	419.37 SF	1 of 2								
Volume	11050 gal									
Liner Sq. Ft.	507.0000 SF									
ITEM #	PART DESCRIPTION	No Stairs	6'R x 12'W Stair	8'R Plastic Step						
04162	8' Radius Panel - 6'3"	3	3	3						
04476	8' Radius Skimmer - 6'3"	1	1	1						
04167	8' Radius Return - 6'3"	1	1	1						
04437	6' Radius Panel - 6'3"	2								
04439	6' Radius Return - 6'3"	1								
04485	6' Radius Panel - 5'3"			1						
04486	6' Radius Return - 5'3"			1						
04474	6' Radius Panel - 1'11"		2							
04129	4' Radius Panel - 6'3"	1	1	1						
04165	8' Reverse Radius - 6'3"	3	3	3						
04481	6'4 1/2" Plain Panel	1	1	1						
04119	1' Plain Panel	1	1	1						
----	Adjustable A-Frame	8	8	10						
04021B	6'R x 12'W Steel Stair	1								
07418RSNR	8' Radius Step-n-Rest			1						
PAK-75	Nut & Bolt Pak - 75 pcs									
PAK-100	Nut & Bolt Pak - 100 pcs	2	2	2						
04134	8' Radius Light - 6'3"									
04133	8' Radius Panel - 3'1 1/2"									

ALL DIMENSIONS ARE FINISH DIMENSIONS

** see page A5 (full steel) & A6 (Nexus) for Radius Inside Steel Stair Filler specifications
** Coping Layouts are shown on pages A72 (Progressive) & A99 (CP2)

FROM A TO:

D	37'-7"
N1	28'-6 1/2"
N2	3'-6 1/4"
P	10'-8 1/4"
P1	6'-10 1/2"
Q	12'-11 1/2"
R	18'-6 3/4"
R1	22'-6 1/4"
S	23'-11"
T	15'-4 1/4"
U	27'-11 3/4"

FROM B TO:

C	37'-7"
N1	30'-4 1/4"
N2	28'-3 3/4"
P	26'-7 3/4"
P1	27'-2 3/4"
Q	19'-2 1/2"
R	27'-3"
R1	28'-4 3/4"
S	20'-8"
T	34'-7 1/2"
U	5'-6 1/2"

FROM C TO:

B	37'-7"
N1	14'-10 1/2"
N2	21'-5 3/4"
P	13'-4"
P1	16'-1 1/2"
Q	21'-7 1/4"
R	10'-5 3/4"
R1	11'-1 3/4"
S	18'-8 1/2"
T	4'-11"
U	32'-2 1/4"

FROM D TO:

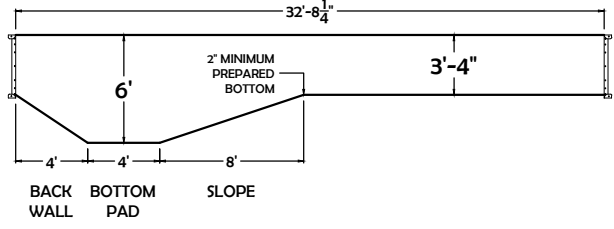
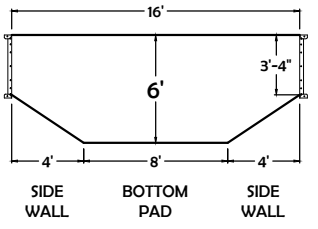
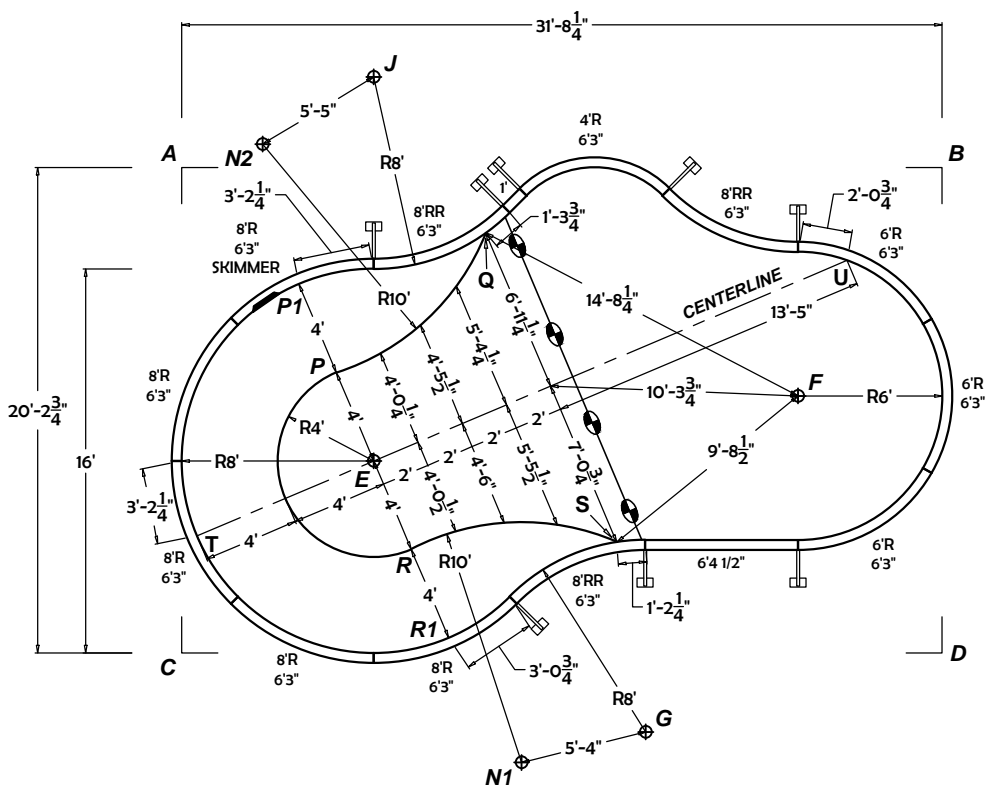
A	37'-7"
N1	18'-1 1/4"
N2	35'-4 1/4"
P	27'-9 3/4"
P1	30'-10 3/4"
Q	25'-10"
R	22'-6 1/2"
R1	20'-6 3/4"
S	14'-3 3/4"
T	31'-5"
U	16'-10"

FROM T TO:

N1	16'-6"
N2	16'-6 1/2"
P	8'-11 1/4"
P1	11'-3 3/4"
Q	17'-5 1/4"
R	8'-11 1/4"
R1	11'-3 3/4"
S	17'-6"

FROM U TO:

N1	24'-11 1/4"
N2	24'-9 3/4"
P	21'-9 1/2"
P1	22'-10 1/4"
Q	15'-1 1/4"
R	21'-9 1/2"
R1	22'-10 1/4"
S	15'-2"



NO DIVING PERMITTED INTO THIS POOL
The bottom configuration shown conforms with current ISPSC & ANSI / APSP / ICC suggested minimum standards for pools NOT approved for diving.

WARNING: Swimming pools can be dangerous if used improperly. Consult your dealer for information on safe use. It's the responsibility of town officials, builders and homeowners to follow safety recommendations of APSP/ANSI, local ordinances & equipment manufacturers.

- All work not specifically shown here is to be done in accordance with the requirements of the 2018 INTERNATIONAL SWIMMING POOL & SPA CODE, APSP/ANSI/ICC-5 2011 STANDARDS FOR RESIDENTIAL INGROUND SWIMMING POOLS, and all other local building codes.
- Construction Drawing: Different methods and precautions may be dictated by various ground conditions. This is to be determined by and is the responsibility of the contractor who is not an agent of the manufacturer of the component parts.
- Depth and shape of the pool meet minimum standards of the 2018 INTERNATIONAL SWIMMING POOL & SPA CODE and the APSP/ANSI/ICC-5 2011 STANDARDS FOR RESIDENTIAL INGROUND SWIMMING POOLS.
- A means of entry & exit for the deep end & shallow end of the pool must be provided in accordance with 2018 INTERNATIONAL SWIMMING POOL & SPA CODE, section 809.
- Equipotential bonding must be provided in accordance with the NATIONAL ELECTRIC CODE, NFPA 70.
- All A-frame braces are to be contained within an 8" thick continuous poured concrete (2500 psi) perimeter collar.
- Backfill with clean earth, free of roots and debris.
- Finished bottom is to be 2" minimum of suitable material or undisturbed earth.
- 3" wide, 3" thick concrete deck is to be poured at a slope of 1/8" to 1' away from the pool.
- NO DIVING labels are to be installed around the perimeter of the pool.
- A safety line, with buoys, is to be permanently attached 10' to the shallow side of the point of first slope change.
- Suction entrapment avoidance to be installed in accordance with APSP/ANSI/ICC-7

20' x 32' Reverse View Mountain Lake

Perimeter	82'-10"	page
Surface Area	419.37 SF	2 of 2
Volume	11050 gal	
Liner Sq. Ft.	507.0000 SF	

**ALL DIMENSIONS
ARE FINISH
DIMENSIONS**

** see page A5 (full steel) & A6 (Nexus) for Radius
Inside Steel Stair Filler specifications
** Coping Layouts are shown on
pages A72 (Progressive) & A99 (CP2)

FROM A TO:

E	14'-7 1/4"
F	27'-4 1/2"
G	30'-5 1/4"
H	17'-7 3/4"
J	8'-10 1/4"
K	26'-0 3/4"
W	21'-9"
X	9'-0 1/2"
Y	25'-11"
Z	30'

FROM B TO:

E	26'-7 3/4"
F	11'-3"
G	26'-6 3/4"
H	15'-0 1/4"
J	23'-11 3/4"
K	7'-6"
W	31'-1 3/4"
X	24'-0 1/2"
Y	6'-11 1/2"
Z	16'-7 1/2"

FROM C TO:

E	11'-3 3/4"
F	27'-9 3/4"
G	19'-7 1/4"
H	23'-7 3/4"
J	25'-3 1/2"
K	35'-7 1/2"
W	8'
X	17'-10 3/4"
Y	30'-7 3/4"
Z	26'-1 1/4"

FROM D TO:

E	25'
F	12'-3 1/4"
G	12'-9 1/4"
H	21'-9"
J	33'-8 1/2"
K	25'-5"
W	23'-8 1/4"
X	28'-7"
Y	17'-9"
Z	7'-7 1/2"

FROM T TO:

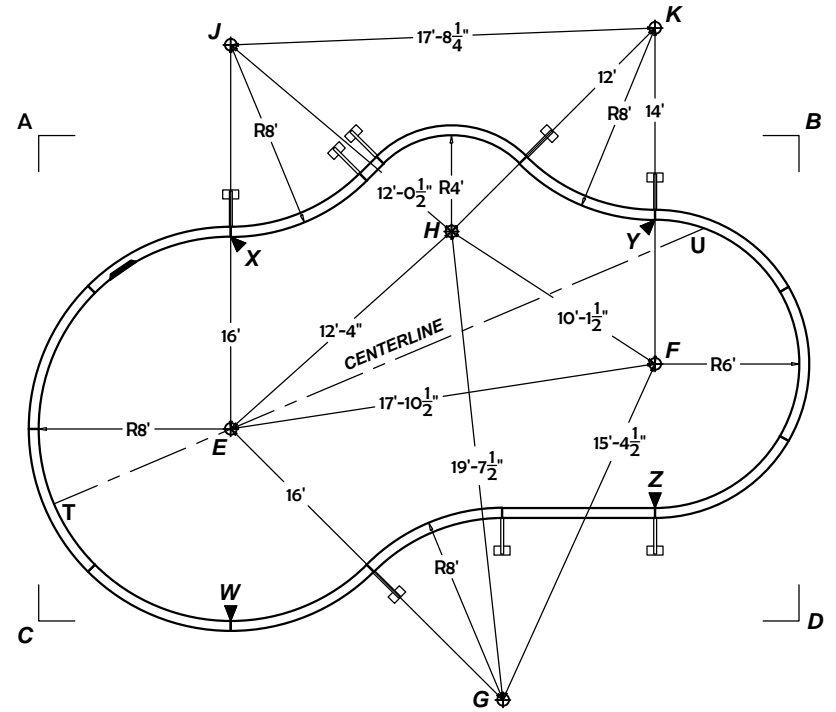
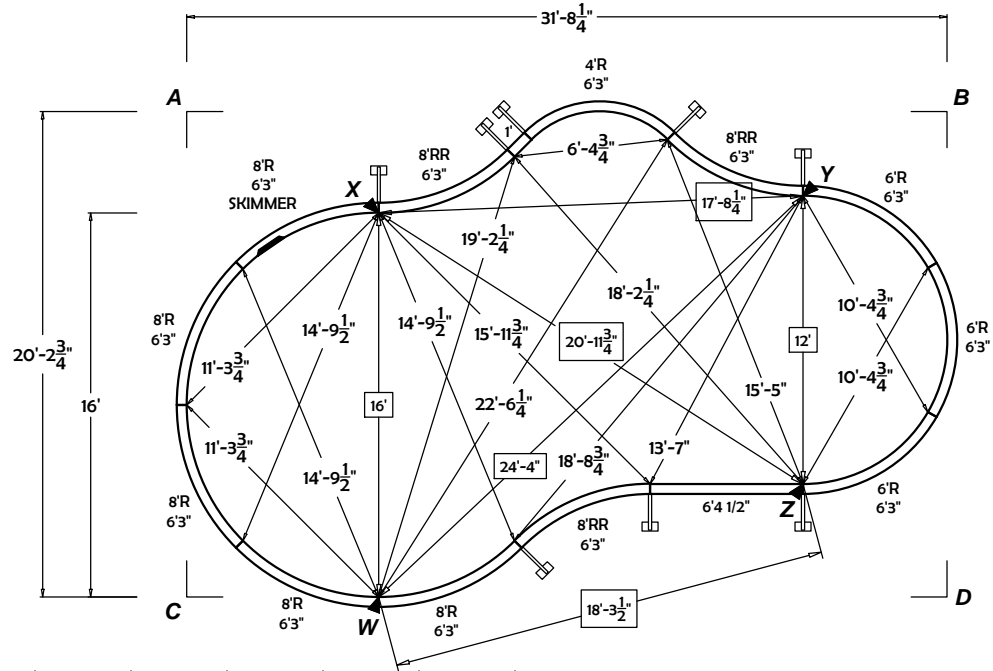
E	8'
F	25'-8 1/2"
G	20'-5"
H	20'-0 3/4"
J	20'-6"
K	31'-11 1/4"
W	8'-10"
X	13'-4"
Y	27'-8 1/4"
Z	25'-0 1/2"

FROM U TO:

E	21'-5"
F	6'
G	21'-4 1/4"
H	10'-6 1/4"
J	21'-1 3/4"
K	8'-7 1/4"
W	25'-7 1/2"
X	19'-8 1/2"
Y	2'-0 3/4"
Z	11'-9 3/4"

-- A-FRAME BRACE

A to D
B to C 37'-7"



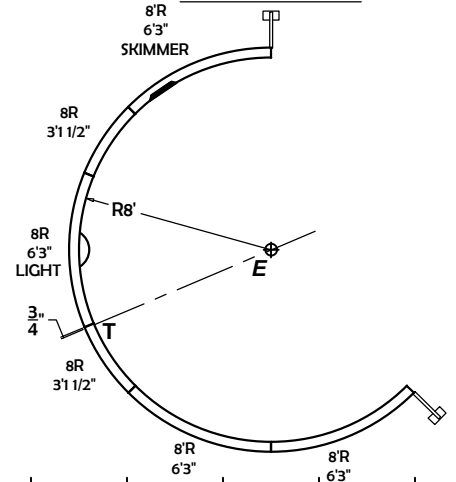
NO DIVING PERMITTED INTO THIS POOL

The bottom configuration shown conforms with current ISPSA & ANSI / APSP / ICC suggested minimum standards for pools NOT approved for diving.

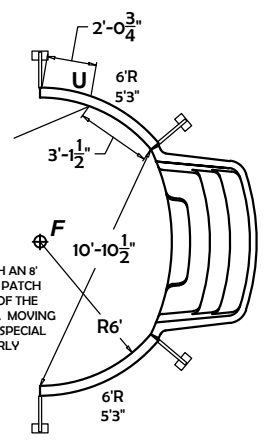
WARNING: Swimming pools can be dangerous if used improperly. Consult your dealer for information on safe use. It's the responsibility of town officials, builders and homeowners to follow safety recommendations of APSP/ANSI, local ordinances & equipment manufacturers.

- All work not specifically shown here is to be done in accordance with the requirements of the 2018 INTERNATIONAL SWIMMING POOL & SPA CODE, APSP/ANSI/ICC-5 2011 STANDARDS FOR RESIDENTIAL INGROUND SWIMMING POOLS, and all other local building codes.
- Construction Drawing: Different methods and precautions may be dictated by various ground conditions. This is to be determined by and is the responsibility of the contractor who is not an agent of the manufacturer of the component parts.
- Depth and shape of the pool meet minimum standards of the 2018 INTERNATIONAL SWIMMING POOL & SPA CODE and the APSP/ANSI/ICC-5 2011 STANDARDS FOR RESIDENTIAL INGROUND SWIMMING POOLS.
- A means of entry & exit for the deep end & shallow end of the pool must be provided in accordance with 2018 INTERNATIONAL SWIMMING POOL & SPA CODE, section 809.
- Equipotential bonding must be provided in accordance with the NATIONAL ELECTRIC CODE, NFPA 70.
- All A-frame braces are to be contained within an 8" thick continuous poured concrete (2500 psi) perimeter collar.
- Backfill with clean earth, free of roots and debris.
- Finished bottom is to be 2" minimum of suitable material or undisturbed earth.
- 3" wide, 3" thick concrete deck is to be poured at a slope of 1/8" to 1" away from the pool. NO DIVING labels are to be installed around the perimeter of the pool.
- A safety line, with buoys, is to be permanently attached 10' to the shallow side of the point of first slope change.
- Suction entrapment avoidance to be installed in accordance with APSP/ANSI/ICC-7

LIGHT PANEL OPTION

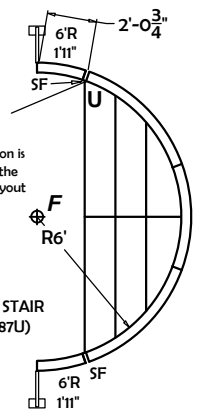


8' RADIUS PLASTIC STEP OPTION



NOTE: LINER IS MADE WITH AN 8' RADIUS STEP-IN REST STAIR PATCH LOCATED AT THE CENTER OF THE SHALLOW END AS SHOWN. MOVING THE STEP WILL REQUIRE A SPECIAL LINER BE MADE TO PROPERLY LOCATE THE STAIR PATCH.

6'R x 12'W STEEL STAIR OPTION



* Nexus stair option is available using the identical panel layout

SF--FREE FORM STAIR FILLER (O4487U)

21' x 32' Standard View Mountain Lake

Perimeter	86'-8"	page			
Surface Area	479.15 SF	1 of 2			
Volume	13400 gal				
Liner Sq. Ft.	519.0000 SF	No Stairs			
		6'R x 12'W Stair			
		8'R Plastic Step			
ITEM #	PART DESCRIPTION	No Stairs	6'R x 12'W Stair	8'R Plastic Step	
04162	8' Radius Panel - 6'3"	2	2	2	
04476	8' Radius Skimmer - 6'3"	1	1	1	
04167	8' Radius Return - 6'3"	1	1	1	
04133	8' Radius Panel - 3'1/2"	1	1	1	
04434	7' Radius Panel - 6'3"	2	1	2	
04433	7' Radius Return - 6'3"	1		1	
04435	7' Radius Panel - 4'2"	3	2	1	
04065	7' Radius Panel - 3'9 3/4"		1		
04510	7' Radius Panel - 3'1 1/2"	2	1	2	
04300	10' Reverse Radius - 5'2 1/4"	2	2	2	
04072	8' Reverse Radius - 5'2 1/4"	1	1	1	
04071	6' Reverse Radius - 5'2 1/4"	1	1	1	
----	Adjustable A-Frame	7	7	9	
04526B	7'R x 13'W Steel Stair		1		
07418RSNR	8' Radius Step-n-Rest			1	
PAK-75	Nut & Bolt Pak - 75 pcs				
PAK-100	Nut & Bolt Pak - 100 pcs	2	2	2	
04134	8' Radius Light - 6'3"				

ALL DIMENSIONS
ARE FINISH
DIMENSIONS

** see page A5 (full steel) & A6 (Nexus) for Radius Inside Steel Stair Filler specifications
** Coping Layouts are shown on pages A72 (Progressive) & A99 (CP2)

FROM A TO:

D	38'-8 1/2"
N1	30'-8 3/4"
N2	5'-11"
P	12'-4 1/2"
P1	9'-1 3/4"
Q	16'-8 1/2"
R	19'-3"
R1	23'-4 1/4"
S	29'-5 3/4"
T	15'-3 3/4"
U	29'-10 1/4"

FROM B TO:

C	38'-8 1/2"
N1	33'-4 3/4"
N2	31'-2 3/4"
P	25'-2 1/4"
P1	25'-2 1/2"
Q	15'-8 3/4"
R	26'-9 1/4"
R1	28'-6 1/2"
S	21'-9 3/4"
T	35'-7 1/4"
U	7'-10"

FROM C TO:

B	38'-8 1/2"
N1	15'-0 1/2"
N2	26'-9 3/4"
P	15'-2 1/2"
P1	17'-11 1/4"
Q	26'-11"
R	12'-1"
R1	12'-1 1/2"
S	22'-4 1/4"
T	5'-9 1/2"
U	32'-3"

FROM D TO:

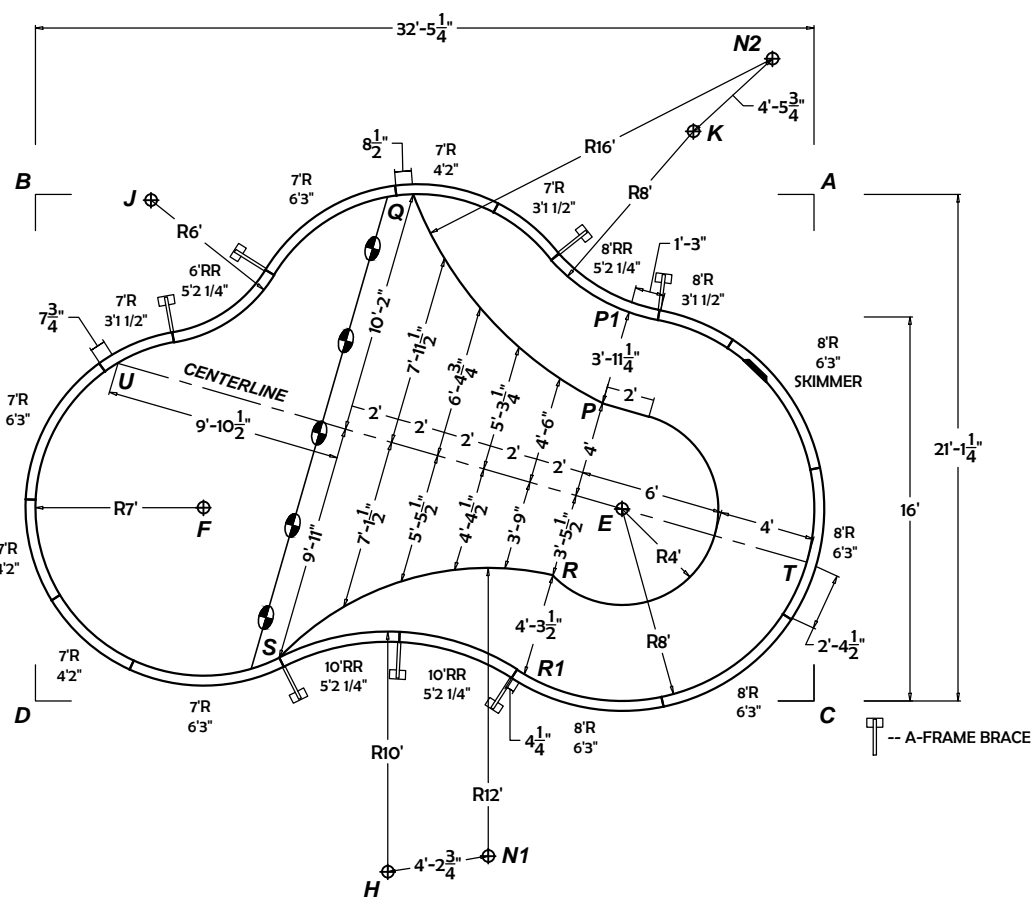
A	38'-8 1/2"
N1	19'-11 1/4"
N2	40'-8 3/4"
P	26'-8 1/4"
P1	29'-6 3/4"
Q	26'-3 3/4"
R	22'-2 1/4"
R1	20'-4 3/4"
S	10'-3 3/4"
T	32'-7 3/4"
U	14'-5 3/4"

FROM T TO:

N1	18'-0 3/4"
N2	21'-0 1/4"
P	10'-9 1/4"
P1	12'-9 1/4"
Q	22'-5 1/4"
R	10'-7"
R1	12'-7 3/4"
S	22'-4"

FROM U TO:

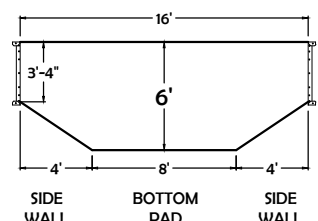
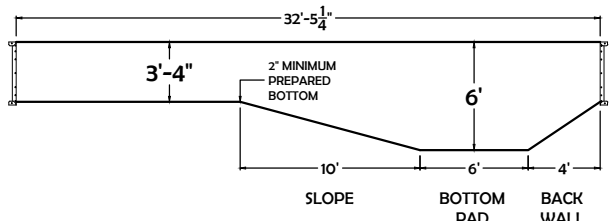
N1	25'-8 1/4"
N2	30'-1"
P	20'-3 1/4"
P1	21'-4 3/4"
Q	14'-2"
R	20'-2"
R1	21'-4"
S	14'



NO DIVING PERMITTED INTO THIS POOL
The bottom configuration shown conforms with current ISPS & ANSI / APSP / ICC suggested minimum standards for pools. NOT approved for diving.

WARNING: Swimming pools can be dangerous if used improperly. Consult your dealer for information on safe use. It's the responsibility of town officials, builders and homeowners to follow safety recommendations of APSP/ANSI, local ordinances & equipment manufacturers.

- All work not specifically shown here is to be done in accordance with the requirements of the 2018 INTERNATIONAL SWIMMING POOL & SPA CODE, APSP/ANSI/ICC-5 2011 STANDARDS FOR RESIDENTIAL INGROUND SWIMMING POOLS, and all other local building codes.
- Construction Drawing: Different methods and precautions may be dictated by various ground conditions. This is to be determined by and is the responsibility of the contractor who is not an agent of the manufacturer of the component parts.
- Depth and shape of the pool meet minimum standards of the 2018 INTERNATIONAL SWIMMING POOL & SPA CODE and the APSP/ANSI/ICC-5 2011 STANDARDS FOR RESIDENTIAL INGROUND SWIMMING POOLS.
- A means of entry & exit for the deep end of the pool must be provided in accordance with 2018 INTERNATIONAL SWIMMING POOL & SPA CODE, section 809.
- Equipotential bonding must be provided in accordance with the NATIONAL ELECTRIC CODE, NFPA 70.
- All A-frame braces are to be contained within an 8" thick continuous poured concrete (2500 psi) perimeter collar.
- Backfill with clean earth, free of roots and debris.
- Finished bottom is to be 2" minimum of suitable material or undisturbed earth.
- 3' wide, 3" thick concrete deck is to be poured at a slope of 1/8" to 1' away from the pool. NO DIVING labels are to be installed around the perimeter of the pool.
- A safety line, with buoys, is to be permanently attached 10' to the shallow side of the point of first slope change.
- Suction entrapment avoidance to be installed in accordance with APSP/ANSI/ICC-7



21' x 32' Standard View Mountain Lake

Perimeter	86'-8"	page
Surface Area	479.15 SF	2 of 2
Volume	13400 gal	
Liner Sq. Ft.	519.0000 SF	

ALL DIMENSIONS ARE FINISH DIMENSIONS

** see page A5 (full steel) & A6 (Nexus) for Radius Inside Steel Stair Filler specifications
 ** Coping Layouts are shown on pages A72 (Progressive) & A99 (CP2)

FROM A TO:

E	15'-4 1/4"
F	28'-7 1/4"
G	17'-11 1/4"
H	33'-4 1/4"
J	27'-7 1/2"
K	5'-8"
W	23'-4 1/4"
X	8'-4 1/4"
Y	27'-4 1/2"
Z	29'-5 3/4"

FROM B TO:

E	27'-8 3/4"
F	14'-9 3/4"
G	17'-4 3/4"
H	31'-9 3/4"
J	4'-10"
K	27'-6 1/2"
W	23'-2 1/4"
X	26'-5 1/2"
Y	8'-5 1/4"
Z	21'-9 3/4"

FROM C TO:

E	11'-3 3/4"
F	26'-8 1/4"
G	21'-8 3/4"
H	19'-1 3/4"
J	34'-7 1/2"
K	24'-3"
W	12'-5 1/4"
X	17'-1 3/4"
Y	30'-6 3/4"
Z	22'-4 1/4"

FROM D TO:

E	25'-8 3/4"
F	10'-8"
G	21'-3 1/4"
H	16'-3 3/4"
J	21'-5"
K	36'-3"
W	20'-1 1/4"
X	30'-4 3/4"
Y	16'-0 1/4"
Z	10'-3 3/4"

FROM T TO:

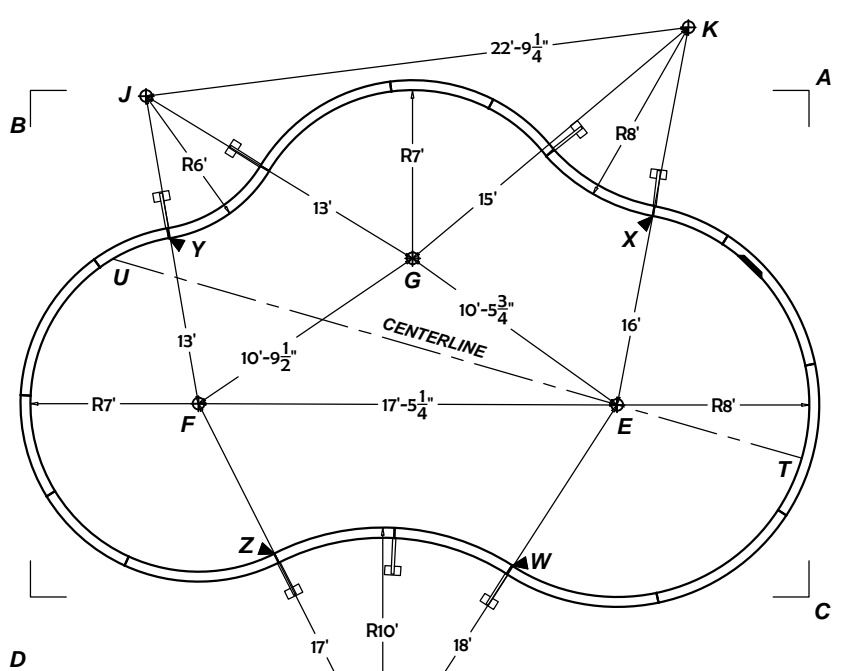
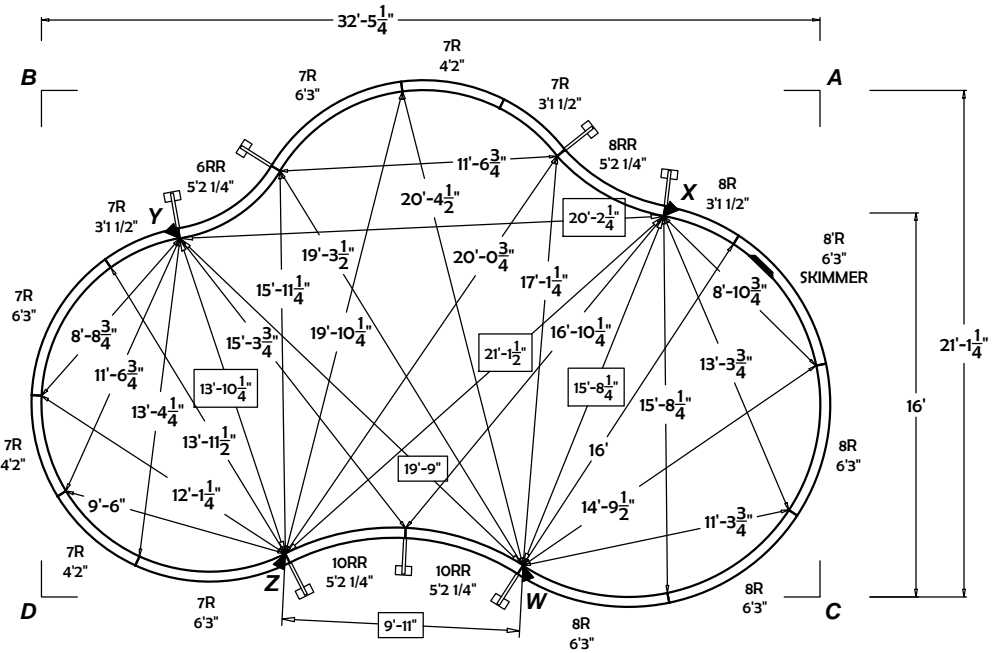
E	8'
F	25'-2 3/4"
G	18'-2 1/2"
H	21'-8 1/2"
J	31'-2 1/4"
K	18'-6 3/4"
W	12'-10 1/2"
X	11'-10"
Y	27'-10 3/4"
Z	22'-4"

FROM U TO:

E	21'-10 1/2"
F	7'
G	12'-5 3/4"
H	23'-11 3/4"
J	6'-11 1/4"
K	25'-10 1/4"
W	20'-11 1/2"
X	22'-6 3/4"
Y	2'-6"
Z	14'

-- A-FRAME BRACE

A to D 38'-8 1/2"
B to C



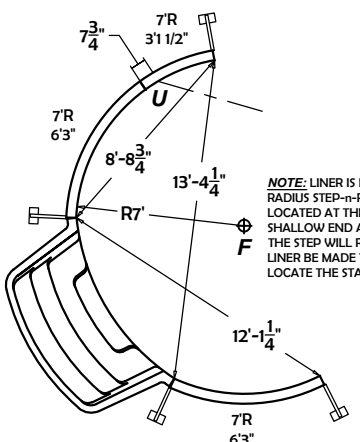
NO DIVING PERMITTED INTO THIS POOL

The bottom configuration shown conforms with current ISPSA & ANSI / APSP / ICC suggested minimum standards for pools NOT approved for diving.

WARNING: Swimming pools can be dangerous if used improperly. Consult your dealer for information on safe use. It's the responsibility of town officials, builders and homeowners to follow safety recommendations of APSP/ANSI, local ordinances & equipment manufacturers.

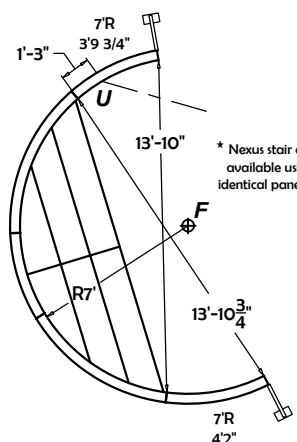
- All work not specifically shown here is to be done in accordance with the requirements of the 2018 INTERNATIONAL SWIMMING POOL & SPA CODE, APSP/ANSI/ICC-5 2011 STANDARDS FOR RESIDENTIAL INGROUND SWIMMING POOLS, and all other local building codes.
- Construction Drawing: Different methods and precautions may be dictated by various ground conditions. This is to be determined by and is the responsibility of the contractor who is not an agent of the manufacturer of the component parts.
- Depth and shape of the pool meet minimum standards of the 2018 INTERNATIONAL SWIMMING POOL & SPA CODE and the APSP/ANSI/ICC-5 2011 STANDARDS FOR RESIDENTIAL INGROUND SWIMMING POOLS.
- A means of entry & exit for the deep end & shallow end of the pool must be provided in accordance with 2018 INTERNATIONAL SWIMMING POOL & SPA CODE, section 809.
- Equipotential bonding must be provided in accordance with the NATIONAL ELECTRIC CODE, NFPA 70.
- All A-frame braces are to be contained within an 8" thick continuous poured concrete (2500 psi) perimeter collar.
- Backfill with clean earth, free of roots and debris.
- Finished bottom is to be 2" minimum of suitable material or undisturbed earth.
- 3" wide, 3" thick concrete deck is to be poured at a slope of 1/8" to 1" away from the pool.
- NO DIVING** labels are to be installed around the perimeter of the pool.
- A safety line, with buoys, is to be permanently attached 10' to the shallow side of the point of first slope change.
- Suction entrapment avoidance to be installed in accordance with APSP/ANSI/ICC-7

8' RADIUS PLASTIC STEP OPTION



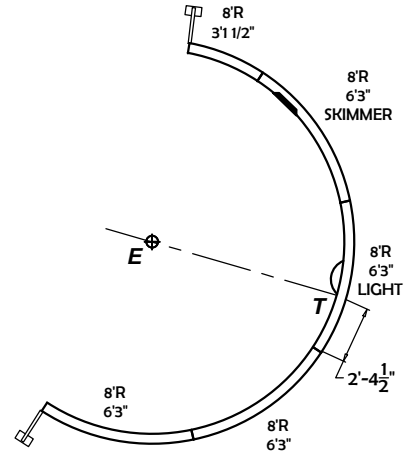
NOTE: LINER IS MADE WITH AN 8' RADIUS STEP-IN REST STAIR PATCH LOCATED AT THE CENTER OF THE SHALLOW END AS SHOWN. MOVING THE STEP WILL REQUIRE A SPECIAL LINER BE MADE TO PROPERLY LOCATE THE STAIR PATCH.

7'R x 13'W STEEL STAIR OPTION



* Nexus stair option is available using the identical panel layout

LIGHT PANEL OPTION



21' x 32' Reverse View Mountain Lake

Perimeter	86'-8"	page 1 of 2	No Stairs	6'R x 12'W Stair	8'R Plastic Step
Surface Area	479.15 SF				
Volume	13400 gal				
Liner Sq. Ft.	519.0000 SF				
ITEM #	PART DESCRIPTION				
04162	8' Radius Panel - 6'3"	2	2	2	
04476	8' Radius Skimmer - 6'3"	1	1	1	
04167	8' Radius Return - 6'3"	1	1	1	
04133	8' Radius Panel - 3'1/2"	1	1	1	
04434	7' Radius Panel - 6'3"	2	1	2	
04433	7' Radius Return - 6'3"	1		1	
04435	7' Radius Panel - 4'2"	3	2	1	
04065	7' Radius Panel - 3'9 3/4"		1		
04510	7' Radius Panel - 3'1/2"	2	1	2	
04300	10' Reverse Radius - 5'2 1/4"	2	2	2	
04072	8' Reverse Radius - 5'2 1/4"	1	1	1	
04071	6' Reverse Radius - 5'2 1/4"	1	1	1	
----	Adjustable A-Frame	7	7	9	
04526B	7'R x 13'W Steel Stair		1		
07418RSNR	8' Radius Step-n-Rest			1	
PAK-75	Nut & Bolt Pak - 75 pcs				
PAK-100	Nut & Bolt Pak - 100 pcs	2	2	2	
04134	8' Radius Light - 6'3"				

**ALL DIMENSIONS
ARE FINISH
DIMENSIONS**

** see page A5 (full steel) & A6 (Nexus) for Radius Inside Steel Stair Filler specifications
** Coping Layouts are shown on pages A72 (Progressive) & A99 (CP2)

FROM A TO:	
D	38'-8 1/2"
N1	30'-8 3/4"
N2	5'-11"
P	12'-4 1/2"
P1	9'-1 3/4"
Q	16'-8 1/2"
R	19'-3"
R1	23'-4 1/4"
S	29'-5 3/4"
T	15'-3 3/4"
U	29'-10 1/4"

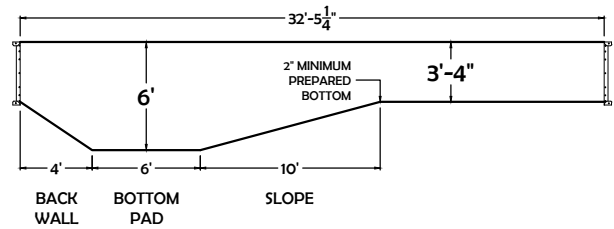
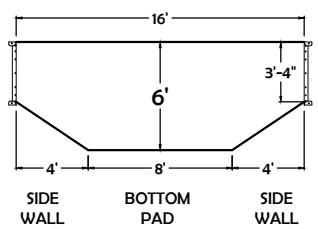
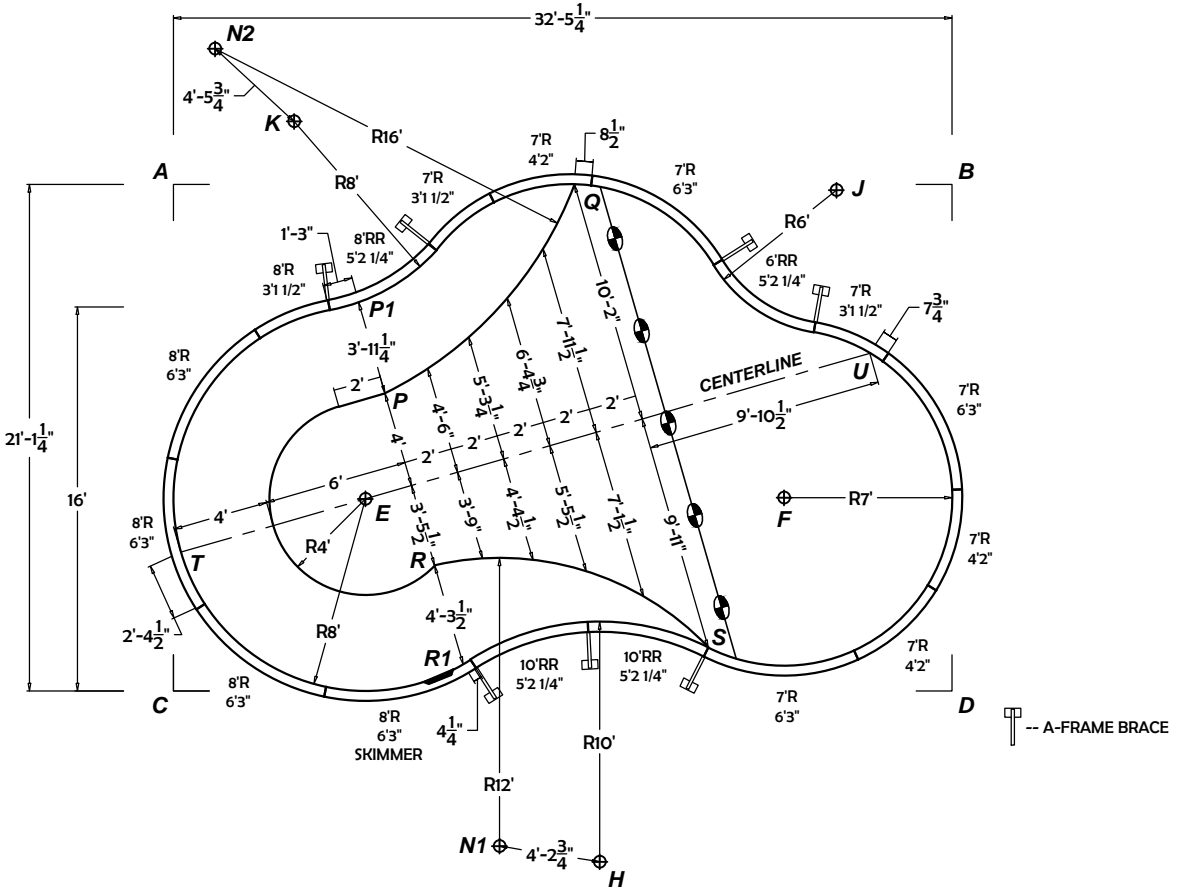
FROM B TO:	
C	38'-8 1/2"
N1	33'-4 3/4"
N2	31'-2 3/4"
P	25'-2 1/4"
P1	25'-2 1/2"
Q	15'-8 3/4"
R	26'-9 1/4"
R1	28'-6 1/2"
S	21'-9 3/4"
T	35'-7 1/4"
U	7'-10"

FROM C TO:	
B	38'-8 1/2"
N1	15'-0 1/2"
N2	26'-9 3/4"
P	15'-2 1/2"
P1	17'-11 1/4"
Q	26'-11"
R	12'-1"
R1	12'-1 1/2"
S	22'-4 1/4"
T	5'-9 1/2"
U	32'-3"

FROM D TO:	
A	38'-8 1/2"
N1	19'-11 1/4"
N2	40'-8 3/4"
P	26'-8 1/4"
P1	29'-6 3/4"
Q	26'-3 3/4"
R	22'-2 1/4"
R1	20'-4 3/4"
S	10'-3 3/4"
T	32'-7 3/4"
U	14'-5 3/4"

FROM T TO:	
N1	18'-0 3/4"
N2	21'-0 1/4"
P	10'-9 1/4"
P1	12'-9 1/4"
Q	22'-5 1/4"
R	10'-7"
R1	12'-7 3/4"
S	22'-4"

FROM U TO:	
N1	25'-8 1/4"
N2	30'-1"
P	20'-3 1/4"
P1	21'-4 3/4"
Q	14'-2"
R	20'-2"
R1	21'-4"
S	14'



NO DIVING PERMITTED INTO THIS POOL
The bottom configuration shown conforms with current ISPSA & ANSI / APSP / ICC suggested minimum standards for pools NOT approved for diving.

WARNING: Swimming pools can be dangerous if used improperly. Consult your dealer for information on safe use. It's the responsibility of town officials, builders and homeowners to follow safety recommendations of APSP/ANSI, local ordinances & equipment manufacturers.

- All work not specifically shown here is to be done in accordance with the requirements of the 2018 INTERNATIONAL SWIMMING POOL & SPA CODE, APSP/ANSI/ICC-5 2011 STANDARDS FOR RESIDENTIAL INGROUND SWIMMING POOLS, and all other local building codes.
- Construction Drawing: Different methods and precautions may be dictated by various ground conditions. This is to be determined by and is the responsibility of the contractor who is not an agent of the manufacturer of the component parts.
- Depth and shape of the pool meet minimum standards of the 2018 INTERNATIONAL SWIMMING POOL & SPA CODE and the APSP/ANSI/ICC-5 2011 STANDARDS FOR RESIDENTIAL INGROUND SWIMMING POOLS.
- A means of entry & exit for the deep end & shallow end of the pool must be provided in accordance with 2018 INTERNATIONAL SWIMMING POOL & SPA CODE, section 809.
- Equipotential bonding must be provided in accordance with the NATIONAL ELECTRIC CODE, NFPA 70.
- All A-frame braces are to be contained within an 8" thick continuous poured concrete (2500 psi) perimeter collar.
- Backfill with clean earth, free of roots and debris.
- Finished bottom is to be 2" minimum of suitable material or undisturbed earth.
- 3' wide, 3" thick concrete deck is to be poured at a slope of 1/4" to 1' away from the pool.
- NO DIVING labels are to be installed around the perimeter of the pool.
- A safety line, with buoys, is to be permanently attached 10' to the shallow side of the point of first slope change.
- Suction entrapment avoidance to be installed in accordance with APSP/ANSI/ICC-7

21' x 32' Reverse View Mountain Lake

Perimeter	86'-8"	page
Surface Area	479.15 SF	2 of 2
Volume	13400 gal	
Liner Sq. Ft.	519.0000 SF	

**ALL DIMENSIONS
ARE FINISH
DIMENSIONS**

** see page A5 (full steel) & A6 (Nexus) for Radius Inside Steel Stair Filler specifications
** Coping Layouts are shown on pages A72 (Progressive) & A99 (CP2)

FROM A TO:

E	15'-4 1/4"
F	28'-7 1/4"
G	17'-11 1/4"
H	33'-4 1/4"
J	27'-7 1/2"
K	5'-8"
W	23'-4 1/4"
X	8'-4 1/4"
Y	27'-4 1/2"
Z	29'-5 3/4"

FROM B TO:

E	27'-8 3/4"
F	14'-9 3/4"
G	17'-4 3/4"
H	31'-9 3/4"
J	4'-10"
K	27'-6 1/2"
W	23'-2 1/4"
X	26'-5 1/2"
Y	8'-5 1/4"
Z	21'-9 3/4"

FROM C TO:

E	11'-3 3/4"
F	26'-8 1/4"
G	21'-8 3/4"
H	19'-1 3/4"
J	34'-7 1/2"
K	24'-3"
W	12'-5 1/4"
X	17'-1 3/4"
Y	30'-6 3/4"
Z	22'-4 1/4"

FROM D TO:

E	25'-8 3/4"
F	10'-8"
G	21'-3 1/4"
H	16'-3 3/4"
J	21'-5"
K	36'-3"
W	20'-1 1/4"
X	30'-4 3/4"
Y	16'-0 1/4"
Z	10'-3 3/4"

FROM T TO:

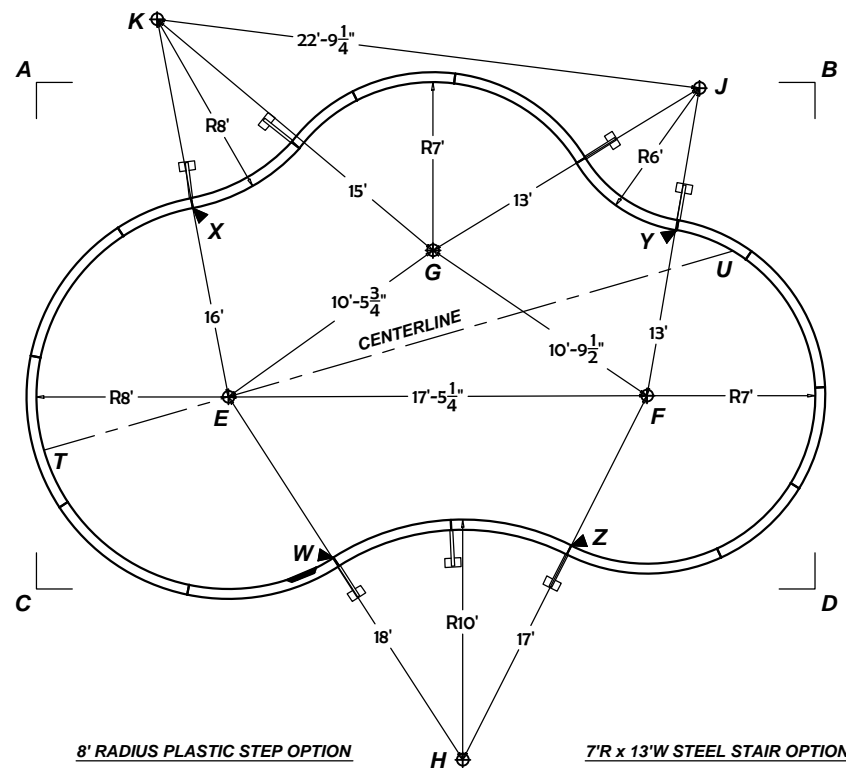
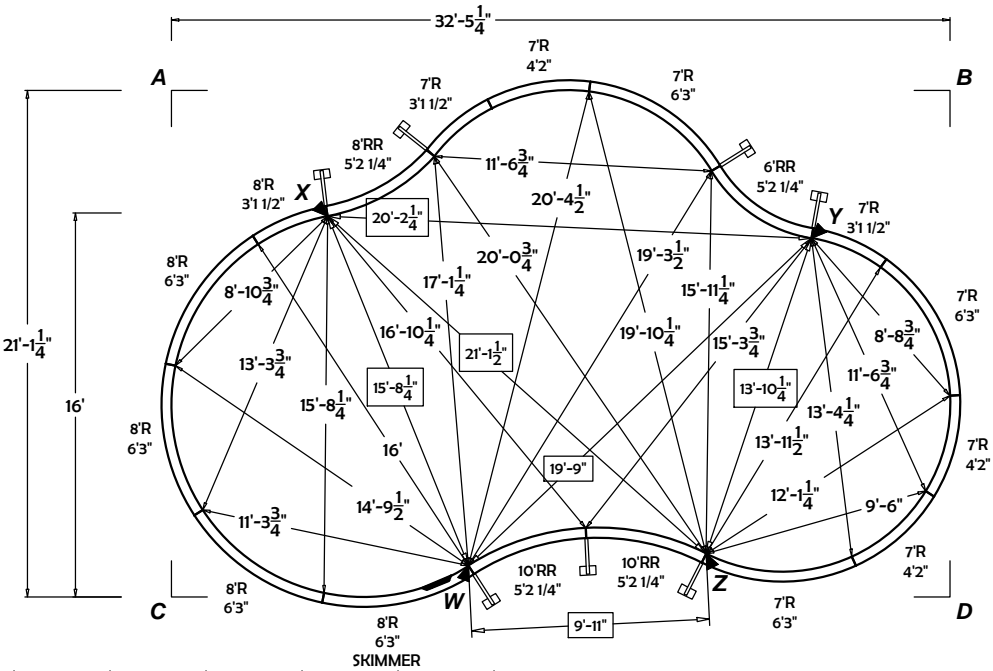
E	8'
F	25'-2 3/4"
G	18'-2 1/2"
H	21'-8 1/2"
J	31'-2 1/4"
K	18'-6 3/4"
W	12'-10 1/2"
X	11'-10"
Y	27'-10 3/4"
Z	22'-4"

FROM U TO:

E	21'-10 1/2"
F	7'
G	12'-5 3/4"
H	23'-11 3/4"
J	6'-11 1/4"
K	25'-10 1/4"
W	20'-11 1/2"
X	22'-6 3/4"
Y	2'-6"
Z	14'

-- A-FRAME BRACE

A to D 38'-8 1/2"
B to C



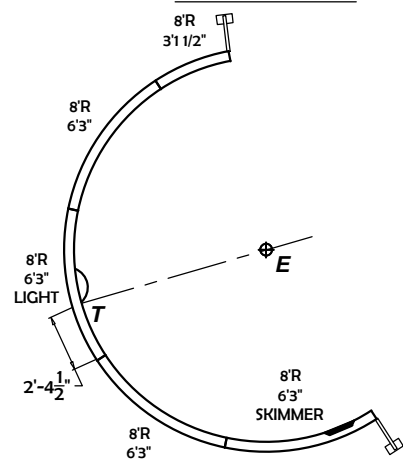
NO DIVING PERMITTED INTO THIS POOL

The bottom configuration shown conforms with current ISPSA & ANSI / APSP / ICC suggested minimum standards for pools NOT approved for diving.

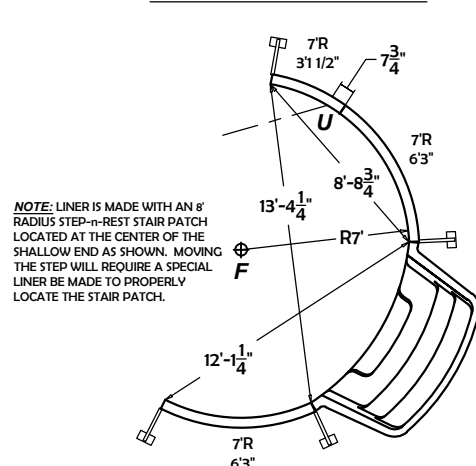
WARNING: Swimming pools can be dangerous if used improperly. Consult your dealer for information on safe use. It's the responsibility of town officials, builders and homeowners to follow safety recommendations of APSP/ANSI, local ordinances & equipment manufacturers.

- All work not specifically shown here is to be done in accordance with the requirements of the 2018 INTERNATIONAL SWIMMING POOL & SPA CODE, APSP/ANSI/ICC-5 2011 STANDARDS FOR RESIDENTIAL INGROUND SWIMMING POOLS, and all other local building codes.
- Construction Drawing: Different methods and precautions may be dictated by various ground conditions. This is to be determined by and is the responsibility of the contractor who is not an agent of the manufacturer of the component parts.
- Depth and shape of the pool meet minimum standards of the 2018 INTERNATIONAL SWIMMING POOL & SPA CODE and the APSP/ANSI/ICC-5 2011 STANDARDS FOR RESIDENTIAL INGROUND SWIMMING POOLS.
- A means of entry & exit for the deep end & shallow end of the pool must be provided in accordance with 2018 INTERNATIONAL SWIMMING POOL & SPA CODE, section 809.
- Equipotential bonding must be provided in accordance with the NATIONAL ELECTRIC CODE, NFPA 70.
- All A-frame braces are to be contained within an 8" thick continuous poured concrete (2500 psi) perimeter collar.
- Backfill with clean earth, free of roots and debris.
- Finished bottom is to be 2" minimum of suitable material or undisturbed earth.
- 3" wide, 3" thick concrete deck is to be poured at a slope of 1/4" to 1' away from the pool. NO DIVING labels are to be installed around the perimeter of the pool.
- A safety line, with buoys, is to be permanently attached 10' to the shallow side of the point of first slope change.
- Suction entrapment avoidance to be installed in accordance with APSP/ANSI/ICC-7

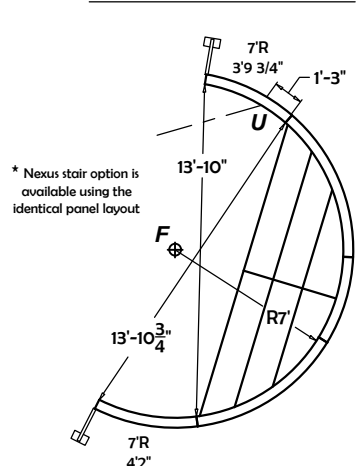
LIGHT PANEL OPTION



8' RADIUS PLASTIC STEP OPTION



7' x 13' W STEEL STAIR OPTION



NOTE: LINER IS MADE WITH AN 8' RADIUS STEP-IN-REST STAIR PATCH LOCATED AT THE CENTER OF THE SHALLOW END AS SHOWN. MOVING THE STEP WILL REQUIRE A SPECIAL LINER BE MADE TO PROPERLY LOCATE THE STAIR PATCH.

* Nexus stair option is available using the identical panel layout

21' x 40' Standard View Mountain Lake

Perimeter	100'-6"	page 1 of 3	No Stairs	6'R x 12'W Stair	8'R Plastic Step
Surface Area	554.21 SF				
Volume	17950 gal				
Liner Sq. Ft.	632.0000 SF				
ITEM #	PART DESCRIPTION				
04162	8' Radius Panel - 6'3"	5	5	4	
04476	8' Radius Skimmer - 6'3"	1	1	1	
04167	8' Radius Return - 6'3"	1	1	2	
04437	6' Radius Panel - 6'3"	2			
04439	6' Radius Return - 6'3"	1			
04485	6' Radius Panel - 5'3"			2	
04474	6' Radius Panel - 1'11"		2		
04116	2' Radius Corner Panel	1	1	1	
04165	8' Reverse Radius - 6'3"	5	5	5	
04488	2' 1/2" Plain Panel	1	1	1	
04119	1' Plain Panel	1	1	1	
----	Adjustable A-Frame	11	11	13	
04021B	6'R x 12'W Steel Stair		1		
07418R5NR	8' Radius Step-n-Rest			1	
PAK-75	Nut & Bolt Pak - 75 pcs				
PAK-100	Nut & Bolt Pak - 100 pcs	2	2	2	
04134	8' Radius Light - 6'3"				
04133	8' Radius Panel - 3'1/2"				

DIVING PERMITTED ONLY FROM DESIGNATED DIVING AREA.
 The bottom configuration shown conforms with current ISPSC & ANSI / APSP / ICC suggested minimum standards for pools approved for use with manufactured diving equipment.

WARNING: Swimming pools can be dangerous if used improperly. Consult your dealer for information on safe use. It's the responsibility of town officials, builders and homeowners to follow safety recommendations of APSP/ANSI, local ordinances & equipment manufacturers.

- All work not specifically shown here is to be done in accordance with the requirements of the 2018 INTERNATIONAL SWIMMING POOL & SPA CODE, APSP/ANSI/ICC-5 2011 STANDARDS FOR RESIDENTIAL INGROUND SWIMMING POOLS, and all other local building codes.
- Construction Drawing: Different methods and precautions may be dictated by various ground conditions. This is to be determined by and is the responsibility of the contractor who is not an agent of the manufacturer of the component parts.
- Depth and shape of the pool meet minimum standards of the 2018 INTERNATIONAL SWIMMING POOL & SPA CODE and the APSP/ANSI/ICC-5 2011 STANDARDS FOR RESIDENTIAL INGROUND SWIMMING POOLS.
- A means of entry & exit for the deep end & shallow end of the pool must be provided in accordance with 2018 INTERNATIONAL SWIMMING POOL & SPA CODE, section 809.
- Equipotential bonding must be provided in accordance with the NATIONAL ELECTRIC CODE, NFPA 70.
- All A-frame braces are to be contained within an 8" thick continuous poured concrete (2500 psi) perimeter collar.
- Backfill with clean earth, free of roots and debris.
- Finished bottom is to be 2" minimum of suitable material or undisturbed earth.
- 3' wide, 3" thick concrete deck is to be poured at a slope of 1/4" to 1' away from the pool.
- NO DIVING labels are to be installed around the perimeter of the pool.
- A safety line, with buoys, is to be permanently attached 10' to the shallow side of the point of first slope change.
- Suction entrapment avoidance to be installed in accordance with APSP/ANSI/ICC-7

ALL DIMENSIONS ARE FINISH DIMENSIONS

** see page A5 (full steel) & A6 (Nexus) for Radius Inside Steel Stair Filler specifications
 ** Coping Layouts are shown on pages A72 (Progressive) & A99 (CP2)

FROM A TO:	
D	44'-10 3/4"
N1	32'-0 1/2"
N2	11'-9 1/2"
P	13'-3 1/2"
P1	10'-5 1/4"
Q	21'-11"
R	20'-1"
R1	23'-5"
S	33'-10 1/4"
T	15'-11 3/4"
U	33'-5 1/2"

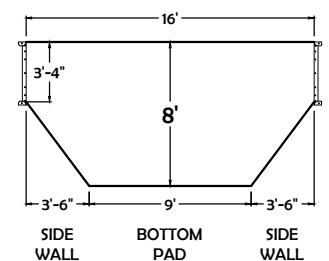
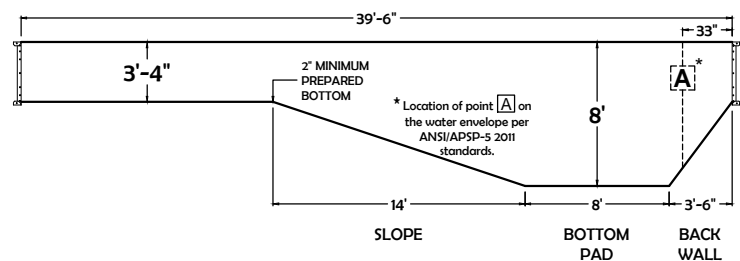
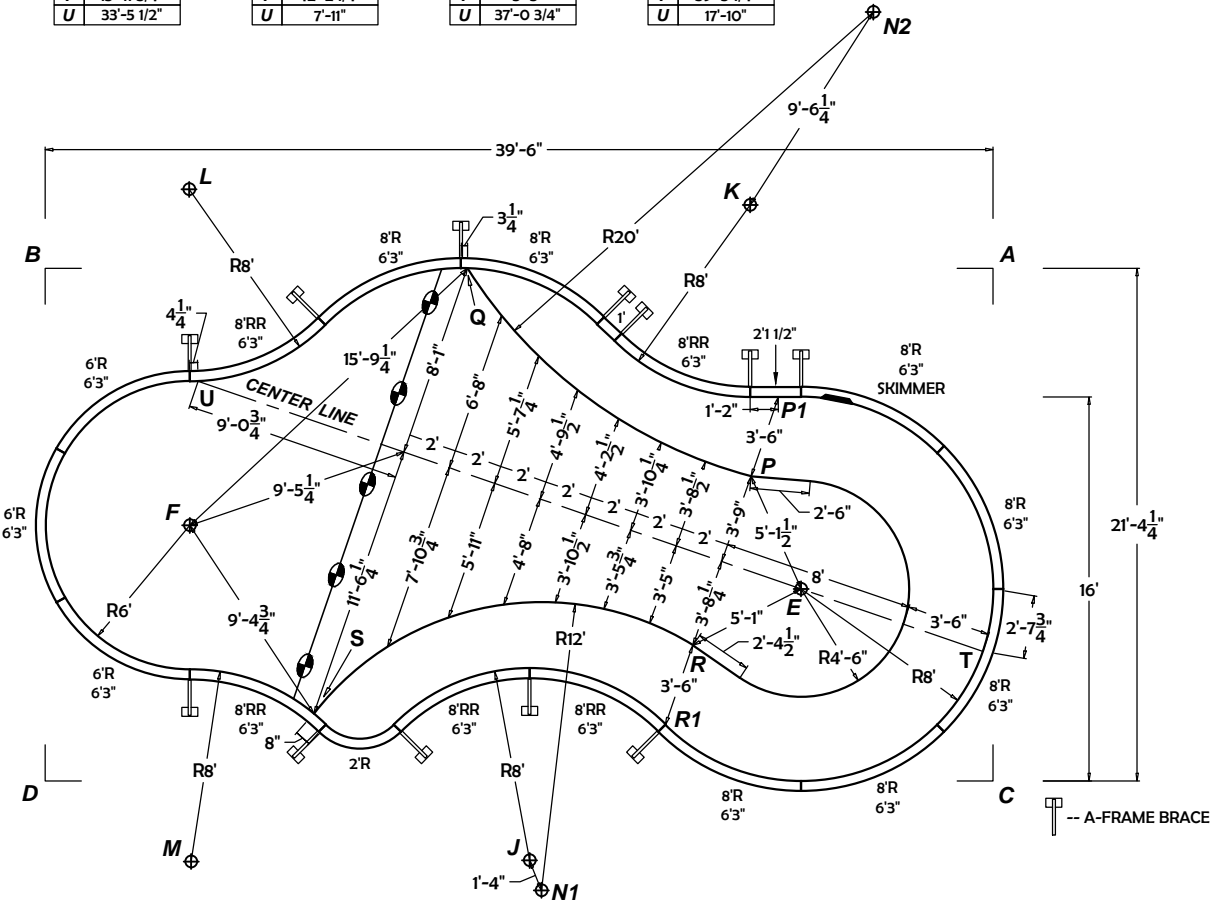
FROM B TO:	
C	44'-10 3/4"
N1	33'-1 3/4"
N2	36'-1 1/4"
P	30'-8"
P1	31'-0 1/4"
Q	17'-7"
R	31'-2 3/4"
R1	32'-1"
S	21'-8"
T	42'-2 1/4"
U	7'-11"

FROM C TO:	
B	44'-10 3/4"
N1	19'-4 1/2"
N2	32'-5"
P	16'-2 1/2"
P1	18'-4"
Q	30'-7 1/4"
R	13'-8 3/4"
R1	13'-10 1/4"
S	28'-5 1/4"
T	5'-5"
U	37'-0 3/4"

FROM D TO:	
A	44'-10 3/4"
N1	21'-2"
N2	47'-1"
P	32'-0 1/4"
P1	34'-5 3/4"
Q	27'-8"
R	27'-6 3/4"
R1	25'-11 1/4"
S	11'-6 1/2"
T	39'-5 1/4"
U	17'-10"

FROM T TO:	
N1	20'-11"
N2	27'-0 1/4"
P	12'-1 1/4"
P1	13'-7 1/4"
Q	26'-9"
R	12'-1"
R1	13'-6 3/4"
S	27'-11 3/4"

FROM U TO:	
N1	25'-7"
N2	32'-0 3/4"
P	23'-4 1/2"
P1	24'-2 1/4"
Q	12'-2"
R	23'-4 1/4"
R1	24'-2"
S	14'-8"



21' x 40' Standard View Mountain Lake

ALL DIMENSIONS
ARE FINISH
DIMENSIONS

4'
4'

Perimeter	100'-6"	page 2 of 3
Surface Area	554.21 SF	
Volume	17950 gal	
Liner Sq. Ft.	632.0000 SF	

A to D	44'-10 3/4"
B to C	

FROM A TO:	
E	15'-6 3/4"
F	35'-1 3/4"
G	23'-6 3/4"
H	31'-8 1/2"
J	31'-4"
K	10'-5 1/2"
L	33'-8"
M	41'-6 3/4"
W	23'-5"
X	9'-7 1/2"
Y	33'-9 3/4"
Z	31'-4 3/4"

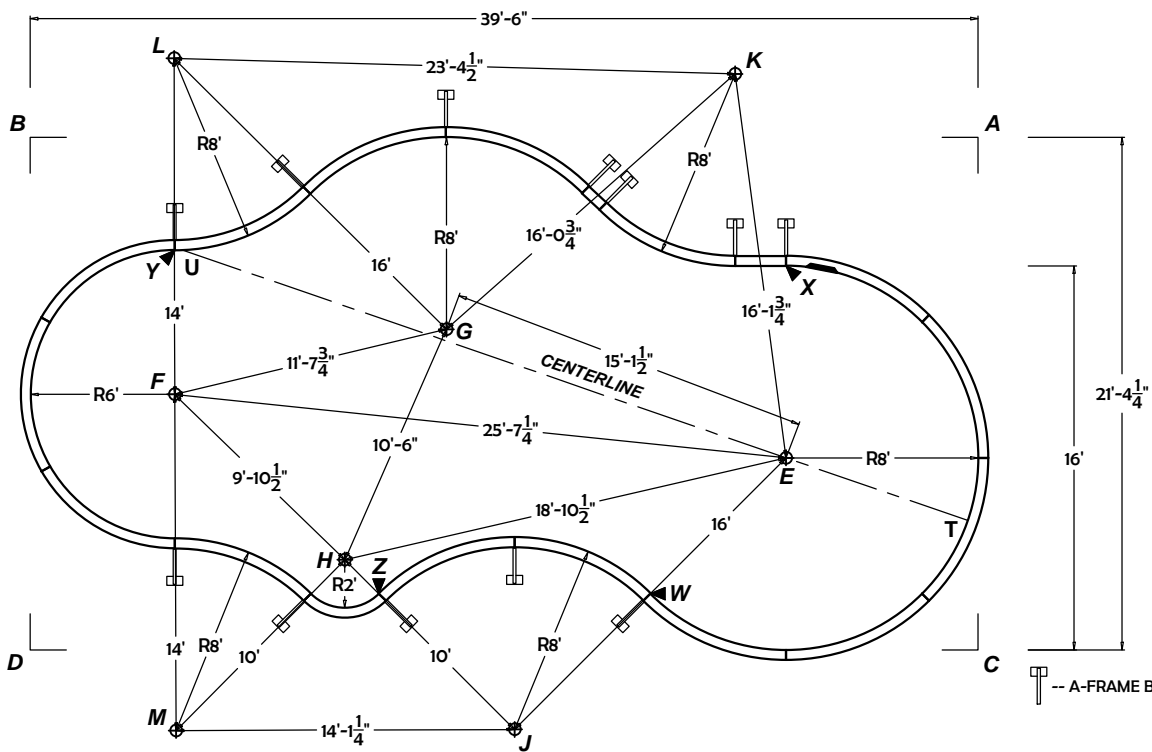
FROM B TO:	
E	34'-2 1/2"
F	12'-3 1/2"
G	19'-1 1/4"
H	21'-11 1/4"
J	31'-10 1/2"
K	29'-5 3/4"
L	6'-10"
M	25'-5 1/2"
W	32'-1"
X	31'-11 1/4"
Y	7'-7 3/4"
Z	23'-11 1/4"

FROM C TO:	
E	11'-3 3/4"
F	35'-1 1/2"
G	25'-10 1/2"
H	26'-7 3/4"
J	19'-7 1/4"
K	26'-0 1/2"
L	41'-7"
M	33'-7"
W	13'-10 1/4"
X	17'-10 3/4"
Y	37'-4 1/2"
Z	25'-1"

FROM D TO:	
E	32'-6"
F	12'-2 3/4"
G	21'-10 3/4"
H	13'-7 3/4"
J	20'-5 1/2"
K	37'-11 1/4"
L	25'-4 1/4"
M	6'-11 1/4"
W	25'-11 1/4"
X	35'-4"
Y	17'-8 1/2"
Z	14'-8 1/2"

FROM T TO:	
E	8"
F	33'-5 1/2"
G	23'-1 1/2"
H	26"
J	20'-9 1/2"
K	20'-11 3/4"
L	38'-3"
M	34'-1 1/2"
W	13'-6 3/4"
X	13'-0 1/4"
Y	34'-10 3/4"
Z	24'-8 3/4"

FROM U TO:	
E	26'-6 3/4"
F	6'-0 1/4"
G	11'-5 1/2"
H	14'-6 1/2"
J	24'-3 1/4"
K	24'-1 3/4"
L	8"
M	20'-0 1/4"
W	24'-2"
X	25'-1 1/2"
Y	4 1/4"
Z	16'-5 1/2"



DIVING PERMITTED ONLY FROM DESIGNATED DIVING AREA.
The bottom configuration shown conforms with current ISPSC & ANSI / APSP / ICC suggested minimum standards for pools approved for use with manufactured diving equipment.

WARNING: Swimming pools can be dangerous if used improperly. Consult your dealer for information on safe use. It's the responsibility of town officials, builders and homeowners to follow safety recommendations of APSP/ANSI, local ordinances & equipment manufacturers.

- All work not specifically shown here is to be done in accordance with the requirements of the 2018 INTERNATIONAL SWIMMING POOL & SPA CODE, APSP/ANSI/ICC-5 2011 STANDARDS FOR RESIDENTIAL INGROUND SWIMMING POOLS, and all other local building codes.
- Construction Drawing: Different methods and precautions may be dictated by various ground conditions. This is to be determined by and is the responsibility of the contractor who is not an agent of the manufacturer of the component parts.
- Depth and shape of the pool meet minimum standards of the 2018 INTERNATIONAL SWIMMING POOL & SPA CODE and the APSP/ANSI/ICC-5 2011 STANDARDS FOR RESIDENTIAL INGROUND SWIMMING POOLS.
- A means of entry & exit for the deep end & shallow end of the pool must be provided in accordance with 2018 INTERNATIONAL SWIMMING POOL & SPA CODE, section 809.
- Equipotential bonding must be provided in accordance with the NATIONAL ELECTRIC CODE, NFPA 70.
- All A-frame braces are to be contained within an 8" thick continuous poured concrete (2500 psi) perimeter collar.
- Backfill with clean earth, free of roots and debris.
- Finished bottom is to be 2" minimum of suitable material or undisturbed earth.
- 3" wide, 3" thick concrete deck is to be poured at a slope of 1/4" to 1' away from the pool.
- NO DIVING labels are to be installed around the perimeter of the pool.
- A safety line, with buoys, is to be permanently attached 10' to the shallow side of the point of first slope change.
- Suction entrapment avoidance to be installed in accordance with APSP/ANSI/ICC-7

21' x 40' Standard View Mountain Lake

Perimeter	100'-6"	page 3 of 3
Surface Area	554.21 SF	
Volume	17950 gal	
Liner Sq. Ft.	632.0000 SF	

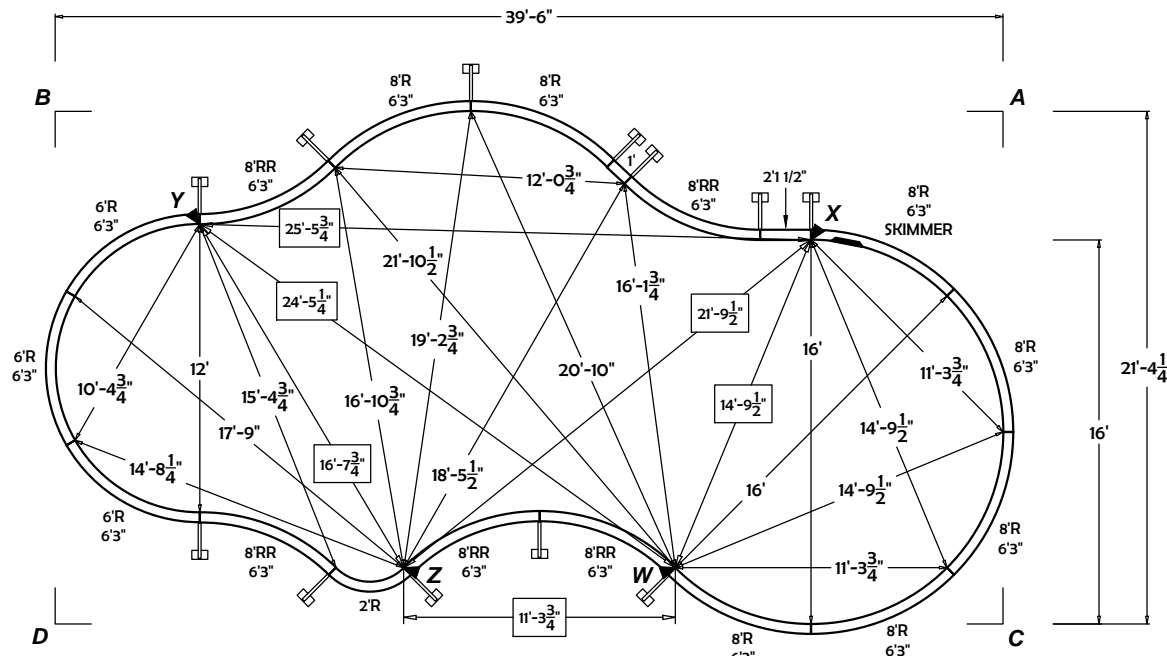
**ALL DIMENSIONS
ARE FINISH
DIMENSIONS**

** see page A5 (full steel) & A6 (Nexus) for Radius
Inside Steel Stair Filler specifications
** Coping Layouts are shown on
pages A72 (Progressive) & A99 (CP2)

4'
4'

FROM A TO:		FROM B TO:		FROM C TO:		FROM D TO:		FROM T TO:		FROM U TO:	
W	23'-5"	W	32'-1"	W	13'-10 1/4"	W	25'-11 1/4"	W	13'-6 3/4"	W	24'-2"
X	9'-7 1/2"	X	31'-11 1/4"	X	17'-10 3/4"	X	17'-10 3/4"	X	13'-0 1/4"	X	25'-1 1/2"
Y	33'-9 3/4"	Y	7'-7 3/4"	Y	37'-4 1/2"	Y	17'-8 1/2"	Y	34'-10 3/4"	Y	4 1/4"
Z	31'-4 3/4"	Z	23'-11 1/4"	Z	25'-1"	Z	14'-8 1/2"	Z	24'-8 3/4"	Z	16'-5 1/2"

A to D	44'-10 3/4"
B to C	



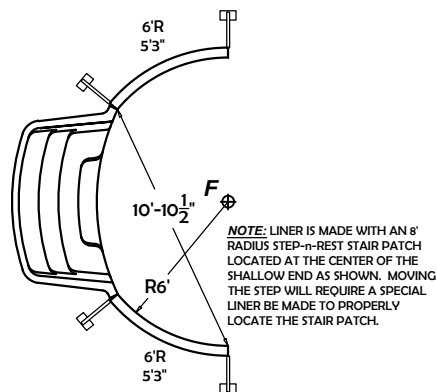
- A-FRAME BRACE

DIVING PERMITTED ONLY FROM DESIGNATED DIVING AREA.
The bottom configuration shown conforms with current ISPSC & ANSI / APSP / ICC suggested minimum standards for pools approved for use with manufactured diving equipment.

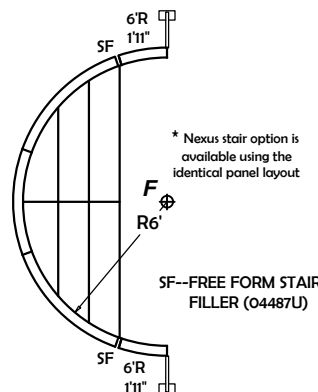
WARNING: Swimming pools can be dangerous if used improperly. Consult your dealer for information on safe use. It's the responsibility of town officials, builders and homeowners to follow safety recommendations of APSP/ANSI, local ordinances & equipment manufacturers.

- All work not specifically shown here is to be done in accordance with the requirements of the 2018 INTERNATIONAL SWIMMING POOL & SPA CODE, APSP/ANSI/ICC-5 2011 STANDARDS FOR RESIDENTIAL SWIMMING POOLS, and all other local building codes.
- Construction Drawing: Different methods and precautions may be dictated by various ground conditions. This is to be determined by and is the responsibility of the contractor who is not an agent of the manufacturer of the component parts.
- Depth and shape of the pool meet minimum standards of the 2018 INTERNATIONAL SWIMMING POOL & SPA CODE and the APSP/ANSI/ICC-5 2011 STANDARDS FOR RESIDENTIAL INGROUND SWIMMING POOLS.
- A means of entry & exit for the deep end & shallow end of the pool must be provided in accordance with 2018 INTERNATIONAL SWIMMING POOL & SPA CODE, section 809.
- Equipotential bonding must be provided in accordance with the NATIONAL ELECTRIC CODE, NFPA 70.
- All A-frame braces are to be contained within an 8" thick continuous poured concrete (2500 psi) perimeter collar.
- Backfill with clean earth, free of roots and debris.
- Finished bottom is to be 2" minimum of suitable material or undisturbed earth.
- 3" wide, 3" thick concrete deck is to be poured at a slope of 1/8" to 1' away from the pool.
- NO DIVING labels are to be installed around the perimeter of the pool.
- A safety line, with buoys, is to be permanently attached 10' to the shallow side of the point of first slope change.
- Suction entrapment avoidance to be installed in accordance with APSP/ANSI/ICC-7

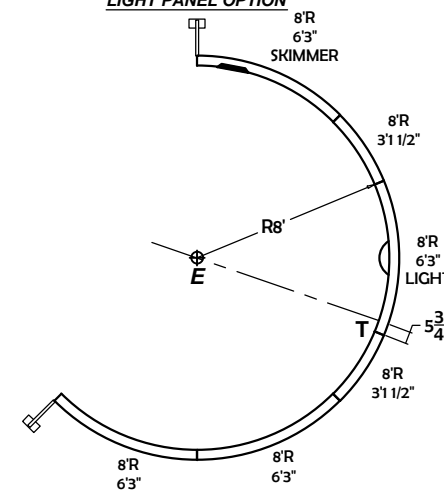
8' RADIUS PLASTIC STEP OPTION



6'R x 12'W STEEL STAIR OPTION



LIGHT PANEL OPTION



21' x 40' Reverse View Mountain Lake

Perimeter	100'-6"	page 1 of 3	No Stairs	6'R x 12'W Stair	8'R Plastic Step
Surface Area	554.21 SF				
Volume	17950 gal				
Liner Sq. Ft.	632.0000 SF				
ITEM #	PART DESCRIPTION				
04162	8' Radius Panel - 6'3"	5	5	4	
04476	8' Radius Skimmer - 6'3"	1	1	1	
04167	8' Radius Return - 6'3"	1	1	2	
04437	6' Radius Panel - 6'3"	2			
04439	6' Radius Return - 6'3"	1			
04485	6' Radius Panel - 5'3"			2	
04474	6' Radius Panel - 1'11"		2		
04116	2' Radius Corner Panel	1	1	1	
04165	8' Reverse Radius - 6'3"	5	5	5	
04488	2'1/2" Plain Panel	1	1	1	
04119	1' Plain Panel	1	1	1	
----	Adjustable A-Frame	11	11	13	
04021B	6'R x 12'W Steel Stair		1		
07418RSNR	8' Radius Step-n-Rest			1	
PAK-75	Nut & Bolt Pak - 75 pcs				
PAK-100	Nut & Bolt Pak - 100 pcs	2	2	2	
04134	8' Radius Light - 6'3"				
04133	8' Radius Panel - 3'1/2"				

**ALL DIMENSIONS
ARE FINISH
DIMENSIONS**

** see page A5 (full steel) & A6 (Nexus) for Radius Inside Steel Stair Filler specifications
** Coping Layouts are shown on pages A72 (Progressive) & A99 (CP2)

FROM A TO:	
D	44'-10 3/4"
N1	32'-0 1/2"
N2	11'-9 1/2"
P	13'-3 1/2"
P1	10'-5 1/4"
Q	21'-11"
R	20'-1"
R1	23'-5"
S	33'-10 1/4"
T	15'-11 3/4"
U	33'-5 1/2"

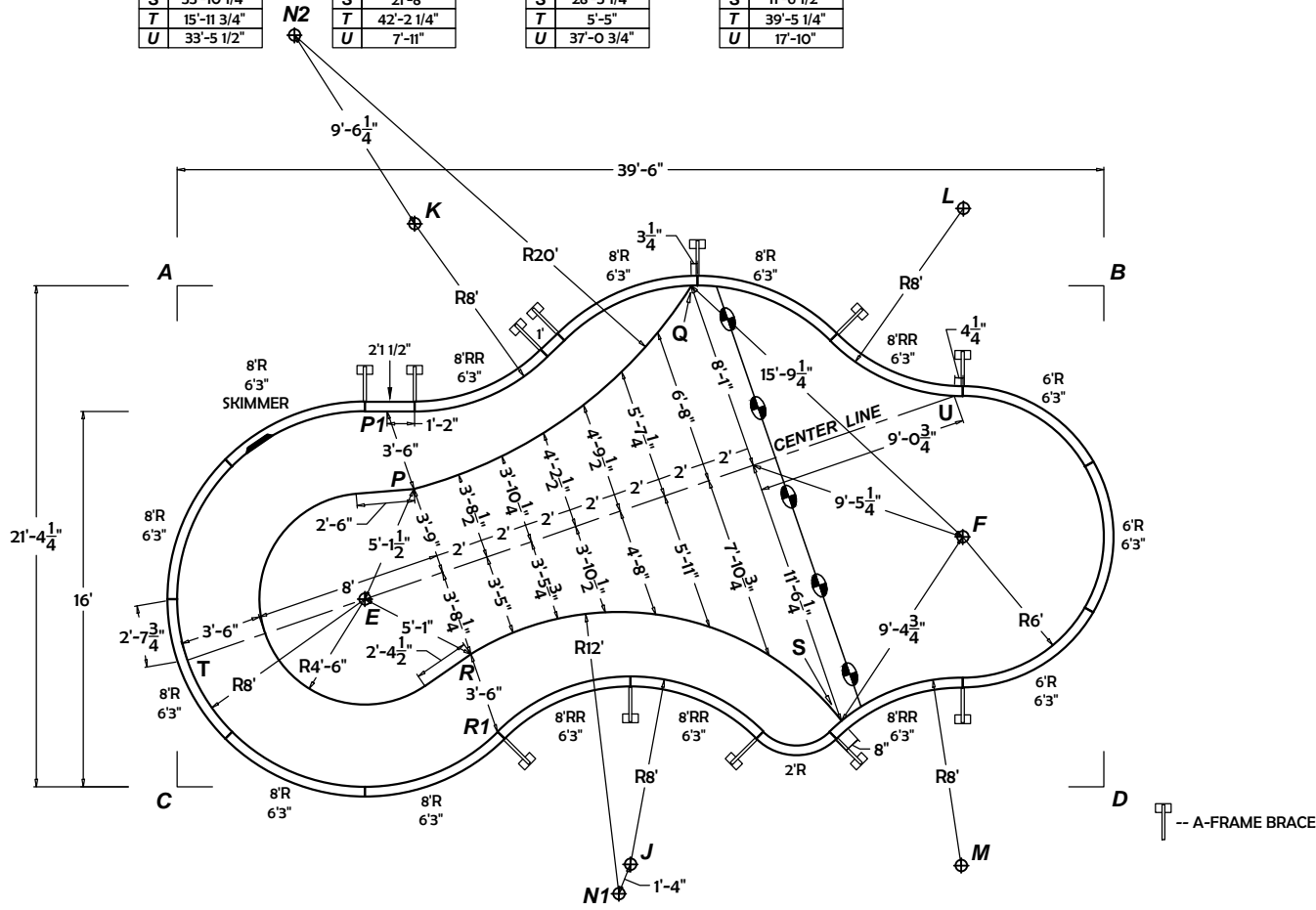
FROM B TO:	
C	44'-10 3/4"
N1	33'-1 3/4"
N2	36'-1 1/4"
P	30'-8"
P1	31'-0 1/4"
Q	17'-7"
R	31'-2 3/4"
R1	32'-1"
S	21'-8"
T	42'-2 1/4"
U	7'-11"

FROM C TO:	
B	44'-10 3/4"
N1	19'-4 1/2"
N2	32'-5"
P	16'-2 1/2"
P1	18'-4"
Q	30'-7 1/4"
R	13'-8 3/4"
R1	13'-10 1/4"
S	28'-5 1/4"
T	5'-5"
U	37'-0 3/4"

FROM D TO:	
A	44'-10 3/4"
N1	21'-2"
N2	47'-1"
P	32'-0 1/4"
P1	34'-5 3/4"
Q	27'-8"
R	27'-6 3/4"
R1	25'-11 1/4"
S	11'-6 1/2"
T	39'-5 1/4"
U	17'-10"

FROM T TO:	
N1	20'-11"
N2	27'-0 1/4"
P	12'-1 1/4"
P1	13'-7 1/4"
Q	26'-9"
R	12'-1"
R1	13'-6 3/4"
S	27'-11 3/4"

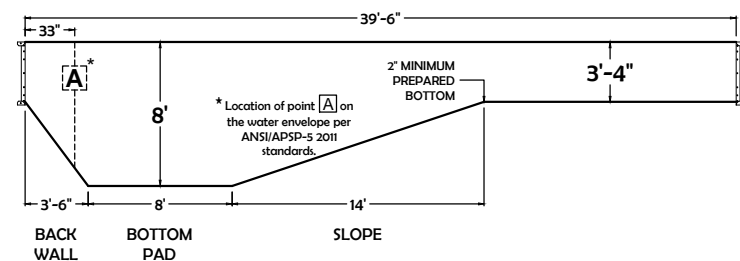
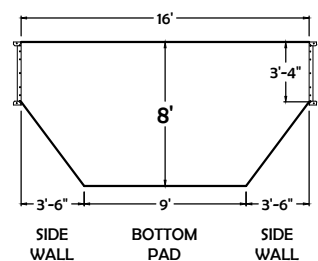
FROM U TO:	
N1	25'-7"
N2	32'-0 3/4"
P	23'-4 1/2"
P1	24'-2 1/4"
Q	12'-2"
R	23'-4 1/4"
R1	24'-2"
S	14'-8"



DIVING PERMITTED ONLY FROM DESIGNATED DIVING AREA.
The bottom configuration shown conforms with current ISPSA & ANSI / APSP / ICC suggested minimum standards for pools approved for use with manufactured diving equipment.

WARNING: Swimming pools can be dangerous if used improperly. Consult your dealer for information on safe use. It's the responsibility of town officials, builders and homeowners to follow safety recommendations of APSP/ANSI, local ordinances & equipment manufacturers.

- All work not specifically shown here is to be done in accordance with the requirements of the 2018 INTERNATIONAL SWIMMING POOL & SPA CODE, APSP/ANSI/ICC-5 2011 STANDARDS FOR RESIDENTIAL INGROUND SWIMMING POOLS, and all other local building codes.
- Construction Drawing: Different methods and precautions may be dictated by various ground conditions. This is to be determined by and is the responsibility of the contractor who is not an agent of the manufacturer of the component parts.
- Depth and shape of the pool meet minimum standards of the 2018 INTERNATIONAL SWIMMING POOL & SPA CODE and the APSP/ANSI/ICC-5 2011 STANDARDS FOR RESIDENTIAL INGROUND SWIMMING POOLS.
- A means of entry & exit for the deep end & shallow end of the pool must be provided in accordance with 2018 INTERNATIONAL SWIMMING POOL & SPA CODE, section 809.
- Equipotential bonding must be provided in accordance with the NATIONAL ELECTRIC CODE, NFPA 70.
- All A-frame braces are to be contained within an 8" thick continuous poured concrete (2500 psi) perimeter collar.
- Backfill with clean earth, free of roots and debris.
- Finished bottom is to be 2" minimum of suitable material or undisturbed earth.
- 3' wide, 3" thick concrete deck is to be poured at a slope of 1/4" to 1' away from the pool.
- NO DIVING labels are to be installed around the perimeter of the pool.
- A safety line, with buoys, is to be permanently attached 10' to the shallow side of the point of first slope change.
- Suction entrapment avoidance to be installed in accordance with APSP/ANSI/ICC-7



21' x 40' Reverse View Mountain Lake

ALL DIMENSIONS
ARE FINISH
DIMENSIONS

4'
4'

Perimeter	100'-6"	page 2 of 3
Surface Area	554.21 SF	
Volume	17950 gal	
Liner Sq. Ft.	632.0000 SF	

A to D	44'-10 3/4"
B to C	

FROM A TO:	
E	15'-6 3/4"
F	35'-1 3/4"
G	23'-6 3/4"
H	31'-8 1/2"
J	31'-4"
K	10'-5 1/2"
L	33'-8"
M	41'-6 3/4"
W	23'-5"
X	9'-7 1/2"
Y	33'-9 3/4"
Z	31'-4 3/4"

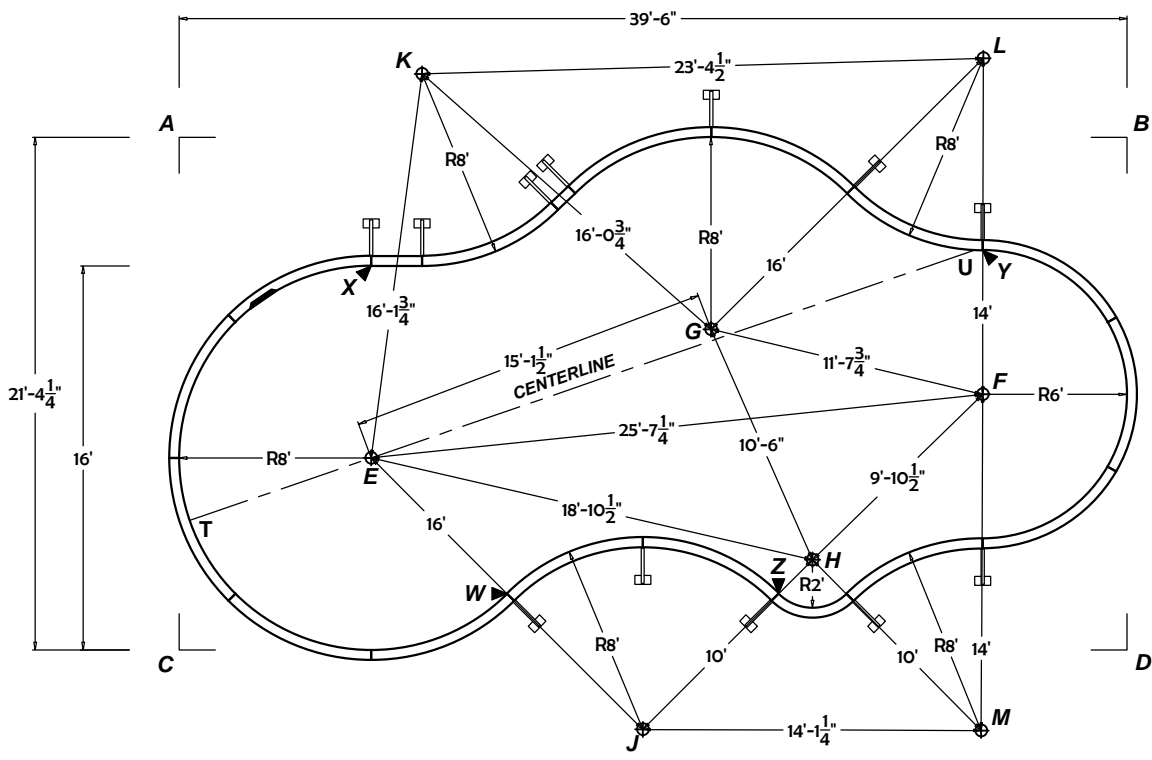
FROM B TO:	
E	34'-2 1/2"
F	12'-3 1/2"
G	19'-1 1/4"
H	21'-11 1/4"
J	31'-10 1/2"
K	29'-5 3/4"
L	6'-10"
M	25'-5 1/2"
W	32'-1"
X	31'-11 1/4"
Y	7'-7 3/4"
Z	23'-11 1/4"

FROM C TO:	
E	11'-3 3/4"
F	35'-1 1/2"
G	25'-10 1/2"
H	26'-7 3/4"
J	19'-7 1/4"
K	26'-0 1/2"
L	41'-7"
M	33'-7"
W	13'-10 1/4"
X	17'-10 3/4"
Y	37'-4 1/2"
Z	25'-1"

FROM D TO:	
E	32'-6"
F	12'-2 3/4"
G	21'-10 3/4"
H	13'-7 3/4"
J	20'-5 1/2"
K	37'-11 1/4"
L	25'-4 1/4"
M	6'-11 1/4"
W	25'-11 1/4"
X	35'-4"
Y	17'-8 1/2"
Z	14'-8 1/2"

FROM T TO:	
E	8"
F	33'-5 1/2"
G	23'-1 1/2"
H	26"
J	20'-9 1/2"
K	20'-11 3/4"
L	38'-3"
M	34'-1 1/2"
W	13'-6 3/4"
X	13'-0 1/4"
Y	34'-10 3/4"
Z	24'-8 3/4"

FROM U TO:	
E	26'-6 3/4"
F	6'-0 1/4"
G	11'-5 1/2"
H	14'-6 1/2"
J	24'-3 1/4"
K	24'-1 3/4"
L	8"
M	20'-0 1/4"
W	24'-2"
X	25'-1 1/2"
Y	4 1/4"
Z	16'-5 1/2"



DIVING PERMITTED ONLY FROM DESIGNATED DIVING AREA.
The bottom configuration shown conforms with current ISPSC & ANSI / APSP / ICC suggested minimum standards for pools approved for use with manufactured diving equipment.

WARNING: Swimming pools can be dangerous if used improperly. Consult your dealer for information on safe use. It's the responsibility of town officials, builders and homeowners to follow safety recommendations of APSP/ANSI, local ordinances & equipment manufacturers.

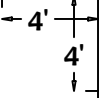
- All work not specifically shown here is to be done in accordance with the requirements of the 2018 INTERNATIONAL SWIMMING POOL & SPA CODE, APSP/ANSI/ICC-5 2011 STANDARDS FOR RESIDENTIAL INGROUND SWIMMING POOLS, and all other local building codes.
- Construction Drawing: Different methods and precautions may be dictated by various ground conditions. This is to be determined by and is the responsibility of the contractor who is not an agent of the manufacturer of the component parts.
- Depth and shape of the pool meet minimum standards of the 2018 INTERNATIONAL SWIMMING POOL & SPA CODE and the APSP/ANSI/ICC-5 2011 STANDARDS FOR RESIDENTIAL INGROUND SWIMMING POOLS.
- A means of entry & exit for the deep end & shallow end of the pool must be provided in accordance with 2018 INTERNATIONAL SWIMMING POOL & SPA CODE, section 809.
- Equipotential bonding must be provided in accordance with the NATIONAL ELECTRIC CODE, NFPA 70.
- All A-frame braces are to be contained within an 8" thick continuous poured concrete (2500 psi) perimeter collar.
- Backfill with clean earth, free of roots and debris.
- Finished bottom is to be 2" minimum of suitable material or undisturbed earth.
- 3" wide, 3" thick concrete deck is to be poured at a slope of 1/4" to 1' away from the pool. NO DIVING labels are to be installed around the perimeter of the pool.
- A safety line, with buoys, is to be permanently attached 10' to the shallow side of the point of first slope change.
- Suction entrapment avoidance to be installed in accordance with APSP/ANSI/ICC-7

21' x 40' Reverse View Mountain Lake

Perimeter	100'-6"	page 3 of 3
Surface Area	554.21 SF	
Volume	17950 gal	
Liner Sq. Ft.	632.0000 SF	

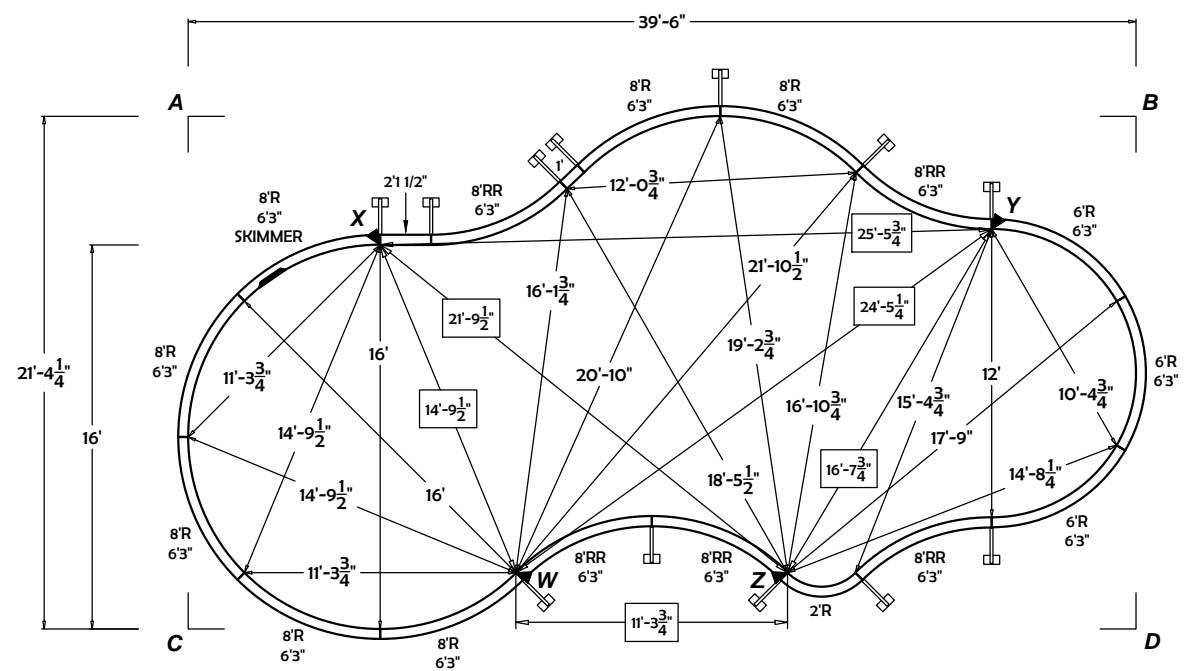
**ALL DIMENSIONS
ARE FINISH
DIMENSIONS**

** see page A5 (full steel) & A6 (Nexus) for Radius
Inside Steel Stair Filler specifications
** Coping Layouts are shown on
pages A72 (Progressive) & A99 (CP2)



FROM A TO:	FROM B TO:	FROM C TO:	FROM D TO:	FROM T TO:	FROM U TO:
W 23'-5"	W 32'-1"	W 13'-10 1/4"	W 25'-11 1/4"	W 13'-6 3/4"	W 24'-2"
X 9'-7 1/2"	X 31'-11 1/4"	X 17'-10 3/4"	X 17'-10 3/4"	X 13'-0 1/4"	X 25'-11 1/2"
Y 33'-9 3/4"	Y 7'-7 3/4"	Y 37'-4 1/2"	Y 17'-8 1/2"	Y 34'-10 3/4"	Y 4 1/4"
Z 31'-4 3/4"	Z 23'-11 1/4"	Z 25'-1"	Z 14'-8 1/2"	Z 24'-8 3/4"	Z 16'-5 1/2"

A to D	44'-10 3/4"
B to C	

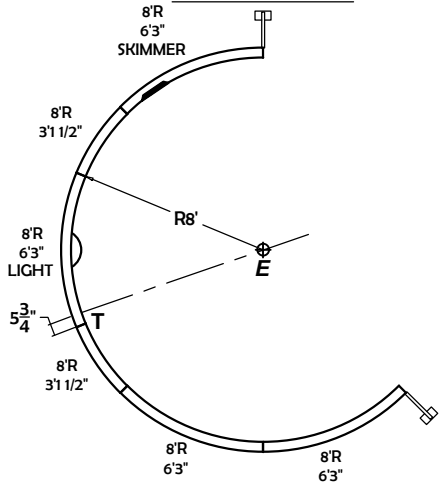


DIVING PERMITTED ONLY FROM DESIGNATED DIVING AREA.
The bottom configuration shown conforms with current ISPSC & ANSI / APSP / ICC suggested minimum standards for pools approved for use with manufactured diving equipment.

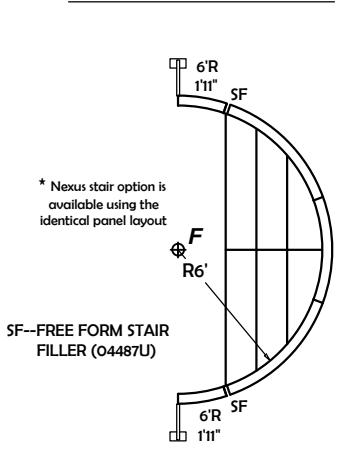
WARNING: Swimming pools can be dangerous if used improperly. Consult your dealer for information on safe use. It's the responsibility of town officials, builders and homeowners to follow safety recommendations of APSP/ANSI, local ordinances & equipment manufacturers.

- All work not specifically shown here is to be done in accordance with the requirements of the 2018 INTERNATIONAL SWIMMING POOL & SPA CODE, APSP/ANSI/ICC-5 2011 STANDARDS FOR RESIDENTIAL INGROUND SWIMMING POOLS, and all other local building codes.
- Construction Drawing: Different methods and precautions may be dictated by various ground conditions. This is to be determined by and is the responsibility of the contractor who is not an agent of the manufacturer of the component parts.
- Depth and shape of the pool meet minimum standards of the 2018 INTERNATIONAL SWIMMING POOL & SPA CODE and the APSP/ANSI/ICC-5 2011 STANDARDS FOR RESIDENTIAL INGROUND SWIMMING POOLS.
- A means of entry & exit for the deep end & shallow end of the pool must be provided in accordance with 2018 INTERNATIONAL SWIMMING POOL & SPA CODE, section 809.
- Equipotential bonding must be provided in accordance with the NATIONAL ELECTRIC CODE, NFPA 70.
- All A-frame braces are to be contained within an 8" thick continuous poured concrete (2500 psi) perimeter collar.
- Backfill with clean earth, free of roots and debris.
- Finished bottom is to be 2" minimum of suitable material or undisturbed earth.
- 3' wide, 3" thick concrete deck is to be poured at a slope of 1/8" to 1' away from the pool. NO DIVING labels are to be installed around the perimeter of the pool.
- A safety line, with buoys, is to be permanently attached 10' to the shallow side of the point of first slope change.
- Suction entrapment avoidance to be installed in accordance with APSP/ANSI/ICC-7

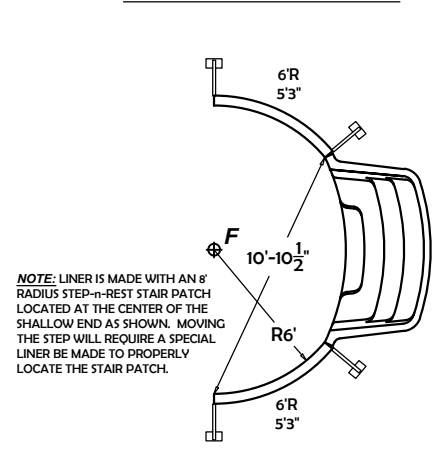
LIGHT PANEL OPTION



6'R x 12'W STEEL STAIR OPTION



8' RADIUS PLASTIC STEP OPTION



NOTE: LINER IS MADE WITH AN 8' RADIUS STEP-IN-REST STAIR PATCH LOCATED AT THE CENTER OF THE SHALLOW END AS SHOWN. MOVING THE STEP WILL REQUIRE A SPECIAL LINER BE MADE TO PROPERLY LOCATE THE STAIR PATCH.

23' x 37' Standard View Mountain Lake

Perimeter	98'-3"	page 1 of 3	No Stairs	8'R x 14'W Stair	8'R Plastic Step
Surface Area	599.71 SF				
Volume	20000 gal				
Liner Sq. Ft.	666.7500 SF				

ITEM #	PART DESCRIPTION	No Stairs	8'R x 14'W Stair	8'R Plastic Step
04170	9' Radius Panel - 6'3"	2	2	2
04172	9' Radius Skimmer - 6'3"	1	1	1
04176	9' Radius Return - 6'3"	1	1	2
04304	9' Radius Panel - 4'2"	2	2	2
04162	8' Radius Panel - 6'3"	3		1
04167	8' Radius Return - 6'3"	1		1
04441	8' Radius Panel - 4'2"		2	
04163	8' Radius Panel - 3'3"	1	1	1
04164	8' Radius Panel - 2'3"			2
04434	7' Radius Panel - 6'3"	1	1	1
04433	7' Radius Return - 6'3"	1	1	1
04301	10' Reverse Radius - 6'3"	1	1	1
04300	10' Reverse Radius - 5'2 1/4"	1	1	1
04165	8' Reverse Radius - 6'3"	1	1	1
04071	6' Reverse Radius - 5'2 1/4"	1	1	1
04131	10" Plain Panel	1	1	1
----	Adjustable A-Frame	7	7	9
04010B	8'R x 14'W Steel Stair		1	
07418RSNR	8' Radius Step-n-Rest			1
PAK-75	Nut & Bolt Pak - 75 pcs			
PAK-100	Nut & Bolt Pak - 100 pcs	2	2	2
04444	9' Radius Light - 6'3"			
04173	9' Radius Panel - 3'1 1/2"			

DIVING PERMITTED ONLY FROM DESIGNATED DIVING AREA.
The bottom configuration shown conforms with current ISPSA & ANSI / APSP / ICC suggested minimum standards for pools approved for use with manufactured diving equipment.

WARNING: Swimming pools can be dangerous if used improperly. Consult your dealer for information on safe use. It's the responsibility of town officials, builders and homeowners to follow safety recommendations of APSP/ANSI, local ordinances & equipment manufacturers.

- All work not specifically shown here is to be done in accordance with the requirements of the 2018 INTERNATIONAL SWIMMING POOL & SPA CODE, APSP/ANSI/ICC-5 2011 STANDARDS FOR RESIDENTIAL INGROUND SWIMMING POOLS, and all other local building codes.
- Construction Drawing: Different methods and precautions may be dictated by various ground conditions. This is to be determined by and is the responsibility of the contractor who is not an agent of the manufacturer of the component parts.
- Depth and shape of the pool meet minimum standards of the 2018 INTERNATIONAL SWIMMING POOL & SPA CODE and the APSP/ANSI/ICC-5 2011 STANDARDS FOR RESIDENTIAL INGROUND SWIMMING POOLS.
- A means of entry & exit for the deep end & shallow end of the pool must be provided in accordance with 2018 INTERNATIONAL SWIMMING POOL & SPA CODE, section 809.
- Equipotential bonding must be provided in accordance with the NATIONAL ELECTRIC CODE, NFPA 70.
- All A-frame braces are to be contained within an 8" thick continuous poured concrete (2500 psi) perimeter collar.
- Backfill with clean earth, free of roots and debris.
- Finished bottom is to be 2" minimum of suitable material or undisturbed earth.
- 3" wide, 3" thick concrete deck is to be poured at a slope of 1/4" to 1' away from the pool.
- NO DIVING labels are to be installed around the perimeter of the pool.
- A safety line, with buoys, is to be permanently attached 10' to the shallow side of the point of first slope change.
- Suction entrapment avoidance to be installed in accordance with APSP/ANSI/ICC-7

ALL DIMENSIONS ARE FINISH DIMENSIONS

** see page A5 (full steel) & A6 (Nexus) for Radius Inside Steel Stair Filler specifications
** Coping Layouts are shown on pages A73 (Progressive) & A100 (CP2)

FROM A TO:
D 43'-7 1/2"
N1 35'-6 3/4"
N2 10'-8"
P 12'-4 1/4"
P1 8'-10"
Q 20'-2 1/4"
R 21'-8"
R1 25'-7 1/4"
S 35'-1"
T 16'-10 1/2"
U 32'-3 3/4"

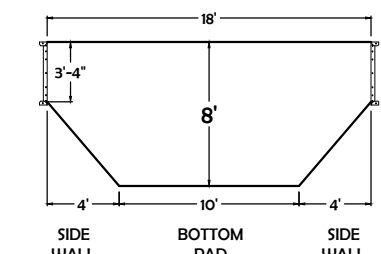
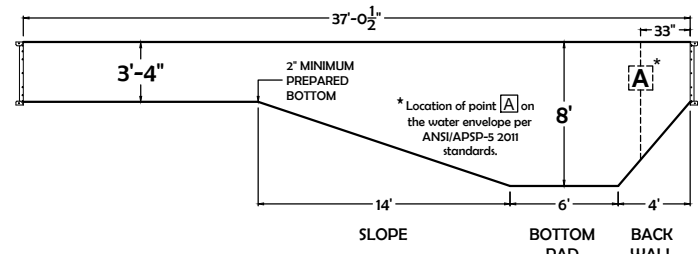
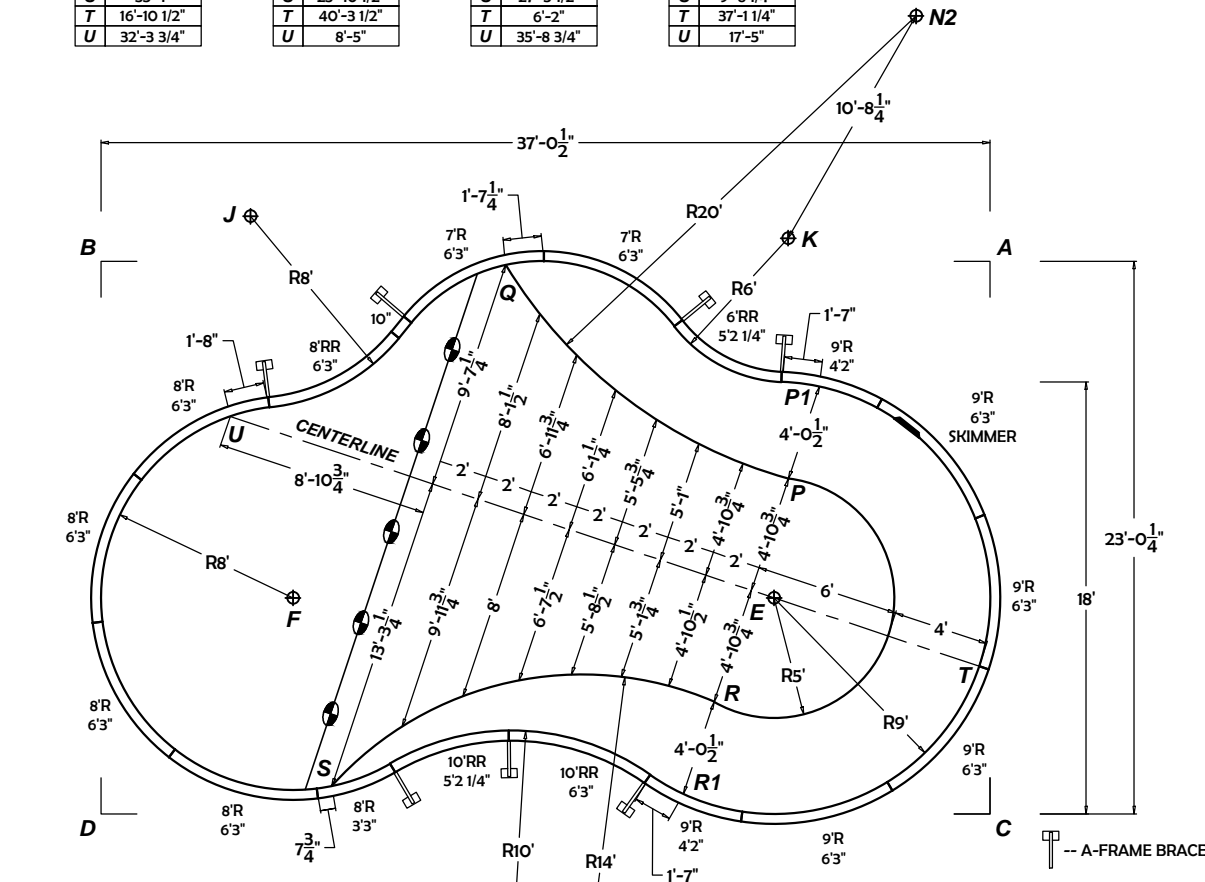
FROM B TO:
C 43'-7 1/2"
N1 37'-1 1/4"
N2 35'-5 1/2"
P 30'-0 1/2"
P1 30'-4 1/2"
Q 16'-10 1/4"
R 31'-5 1/2"
R1 32'-10 3/4"
S 23'-10 1/2"
T 40'-3 1/2"
U 8'-5"

FROM C TO:
B 43'-7 1/2"
N1 18'-10 3/4"
N2 33'-4 3/4"
P 16'-3 1/2"
P1 19'-2"
Q 30'-6"
R 12'-5"
R1 12'-9 3/4"
S 9'-8 1/4"
T 6'-2"
U 35'-8 3/4"

FROM D TO:
A 43'-7 1/2"
N1 21'-7 3/4"
N2 47'-6 1/4"
P 31'-10 1/2"
P1 34'-9 3/4"
Q 28'-5"
R 25'-11 3/4"
R1 24'-3 1/4"
S 9'-8 1/4"
T 37'-1 1/4"
U 17'-5"

FROM T TO:
N1 21'-11"
N2 27'-2 3/4"
P 11'-1 3/4"
P1 13'-5"
Q 25'-10 1/4"
R 11'-1 3/4"
R1 13'-5"
S 27'-5"

FROM U TO:
N1 28'-9 1/4"
N2 33'-1"
P 23'-5"
P1 24'-7"
Q 13'-1"
R 23'-5"
R1 24'-7"
S 15'-11 1/2"



23' x 37' Standard View Mountain Lake

Perimeter	98'-3"	page 2 of 3
Surface Area	599.71 SF	
Volume	20000 gal	
Liner Sq. Ft.	666.7500 SF	

ALL DIMENSIONS
ARE FINISH
DIMENSIONS

A to D	43'-7 1/2"
B to C	

FROM A TO:	TO:
E	16'-8"
F	32'-3"
G	19'-11 1/2"
H	35'-8"
J	30'-10 1/2"
K	8'-5 3/4"
W	25'-8"
X	10'-0 1/2"
Y	30'-7 3/4"
Z	32'-7 1/4"

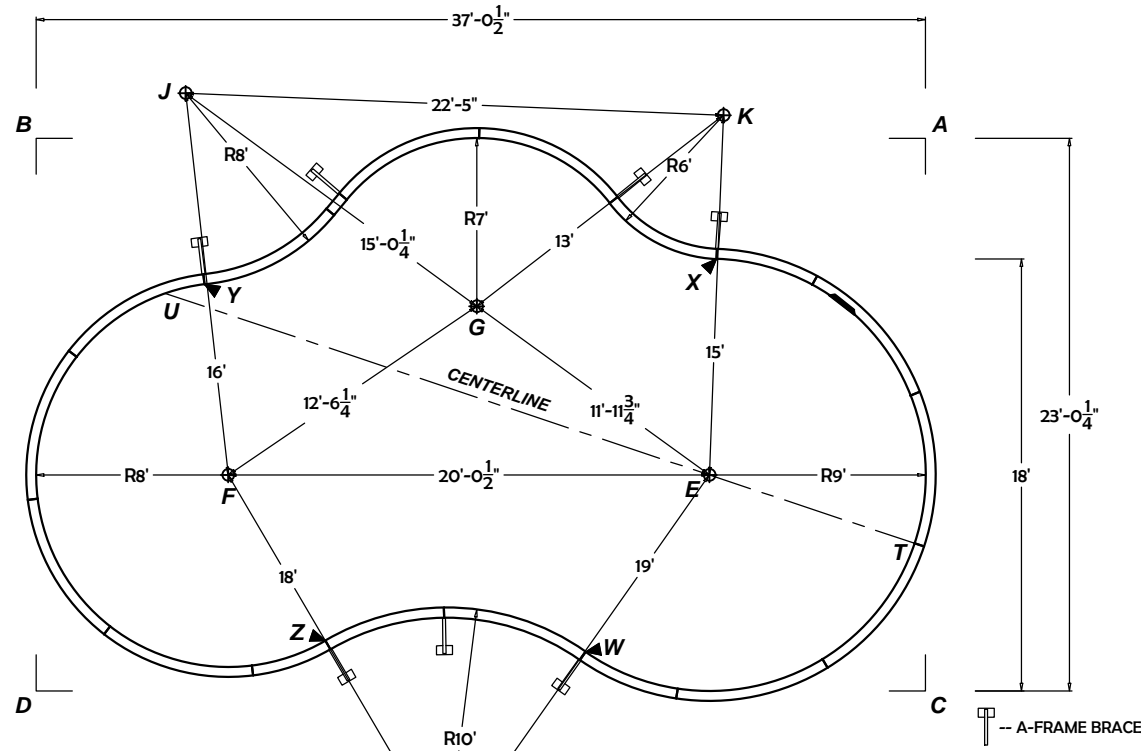
FROM B TO:	TO:
E	31'-4 1/4"
F	16'-1 3/4"
G	19'-7 3/4"
H	34'-1 3/4"
J	6'-6"
K	28'-7 3/4"
W	31'-4"
X	28'-9 1/2"
Y	9'-3 1/2"
Z	24'-1 3/4"

FROM C TO:	TO:
E	12'-8 3/4"
F	30'-5"
G	24'-7 1/2"
H	20'-11 3/4"
J	39'-7 1/2"
K	25'-5"
W	14'-3"
X	19'-11 3/4"
Y	34'-5 3/4"
Z	25'-1"

FROM D TO:	TO:
E	29'-5 1/2"
F	12'-0 1/2"
G	24'-4 1/2"
H	18'-3 3/4"
J	25'-8"
K	37'-4 1/4"
W	22'-11 1/4"
X	33'-7"
Y	18'-4"
Z	12'-2 3/4"

FROM T TO:	TO:
E	9'
F	28'-8 3/4"
G	20'-8 3/4"
H	23'-3"
J	35'-8"
K	19'-6 1/4"
W	14'-5"
X	14'-5"
Y	31'-5 3/4"
Z	24'-10 1/2"

FROM U TO:	TO:
E	23'-10 3/4"
F	8'
G	12'-11 3/4"
H	25'-10 3/4"
J	8'-4 1/2"
K	24'-4 3/4"
W	23'
X	23'
Y	1'-8"
Z	15'-11"



DIVING PERMITTED ONLY FROM DESIGNATED DIVING AREA.
The bottom configuration shown conforms with current ISPSC & ANSI / APSP / ICC suggested minimum standards for pools approved for use with manufactured diving equipment.

WARNING: Swimming pools can be dangerous if used improperly. Consult your dealer for information on safe use. It's the responsibility of town officials, builders and homeowners to follow safety recommendations of APSP/ANSI, local ordinances & equipment manufacturers.

- All work not specifically shown here is to be done in accordance with the requirements of the 2018 INTERNATIONAL SWIMMING POOL & SPA CODE, APSP/ANSI/ICC-5 2011 STANDARDS FOR RESIDENTIAL INGROUND SWIMMING POOLS, and all other local building codes.
- Construction Drawing: Different methods and precautions may be dictated by various ground conditions. This is to be determined by and is the responsibility of the contractor who is not an agent of the manufacturer of the component parts.
- Depth and shape of the pool meet minimum standards of the 2018 INTERNATIONAL SWIMMING POOL & SPA CODE and the APSP/ANSI/ICC-5 2011 STANDARDS FOR RESIDENTIAL INGROUND SWIMMING POOLS.
- A means of entry & exit for the deep end & shallow end of the pool must be provided in accordance with 2018 INTERNATIONAL SWIMMING POOL & SPA CODE, section 809.
- Equipotential bonding must be provided in accordance with the NATIONAL ELECTRIC CODE, NFPA 70.
- All A-frame braces are to be contained within an 8" thick continuous poured concrete (2500 psi) perimeter collar.
- Backfill with clean earth, free of roots and debris.
- Finished bottom is to be 2" minimum of suitable material or undisturbed earth.
- 3' wide, 3" thick concrete deck is to be poured at a slope of 1/4" to 1' away from the pool. NO DIVING labels are to be installed around the perimeter of the pool.
- A safety line, with buoys, is to be permanently attached 10' to the shallow side of the point of first slope change.
- Suction entrapment avoidance to be installed in accordance with APSP/ANSI/ICC-7

23' x 37' Standard View Mountain Lake

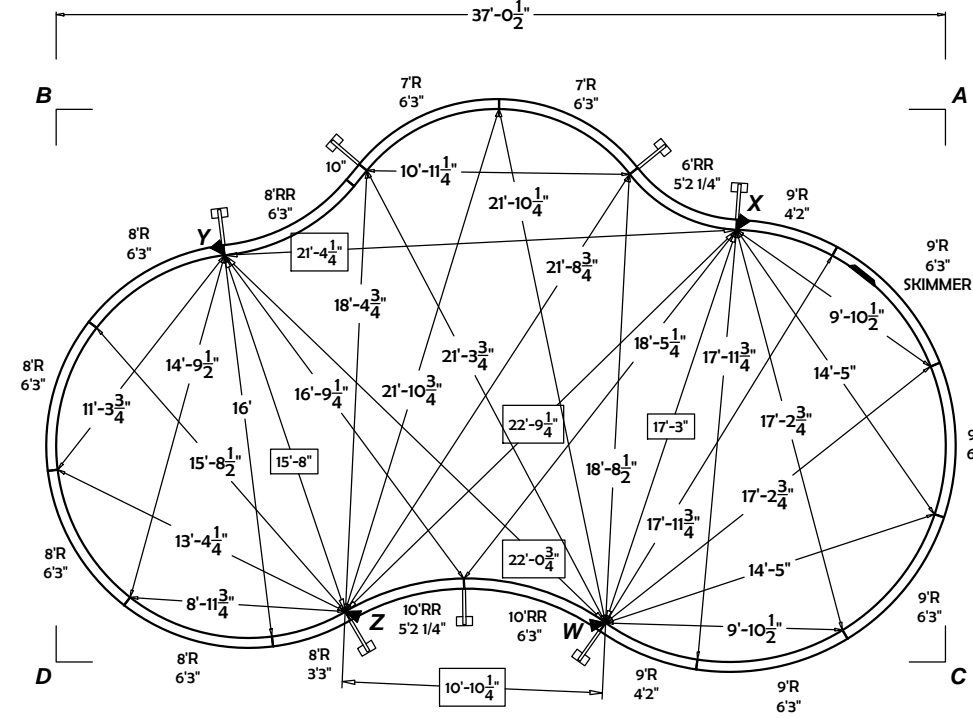
Perimeter	98'-3"	page 3 of 3
Surface Area	599.71 SF	
Volume	20000 gal	
Liner Sq. Ft.	666.7500 SF	

**ALL DIMENSIONS
ARE FINISH
DIMENSIONS**

** see page A5 (full steel) & A6 (Nexus) for Radius Inside Steel Stair Filler specifications
** Coping Layouts are shown on pages A73 (Progressive) & A100 (CP2)

4'
4'

FROM A TO:		FROM B TO:		FROM C TO:		FROM D TO:		FROM T TO:		FROM U TO:	
W	25'-8"	W	31'-4"	W	14'-3"	W	22'-11 1/4"	W	14'-5"	W	23'
X	10'-0 1/2"	X	28'-9 1/2"	X	19'-11 3/4"	X	33'-7"	X	14'-5"	X	23'
Y	30'-7 3/4"	Y	9'-3 1/2"	Y	34'-5 3/4"	Y	18'-4"	Y	31'-5 3/4"	Y	1'-8"
Z	32'-7 1/4"	Z	24'-1 3/4"	Z	25'-1"	Z	12'-2 3/4"	Z	24'-10 1/2"	Z	15'-11"



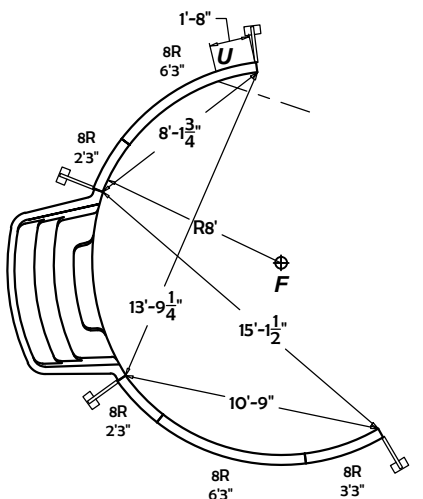
-- A-FRAME BRACE

DIVING PERMITTED ONLY FROM DESIGNATED DIVING AREA.
The bottom configuration shown conforms with current ISPSC & ANSI / APSP / ICC suggested minimum standards for pools approved for use with manufactured diving equipment.

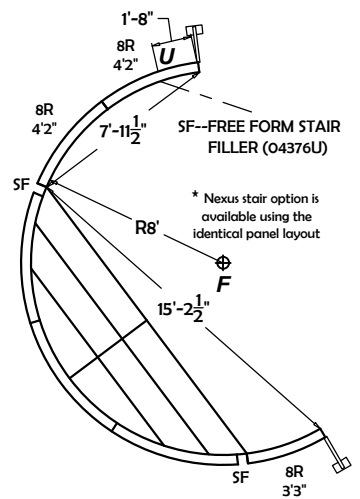
WARNING: Swimming pools can be dangerous if used improperly. Consult your dealer for information on safe use. It's the responsibility of town officials, builders and homeowners to follow safety recommendations of APSP/ANSI, local ordinances & equipment manufacturers.

- All work not specifically shown here is to be done in accordance with the requirements of the 2018 INTERNATIONAL SWIMMING POOL & SPA CODE, APSP/ANSI/ICC-5 2011 STANDARDS FOR RESIDENTIAL INGROUND SWIMMING POOLS, and all other local building codes.
- Construction Drawing: Different methods and precautions may be dictated by various ground conditions. This is to be determined by and is the responsibility of the contractor who is not an agent of the manufacturer of the component parts.
- Depth and shape of the pool meet minimum standards of the 2018 INTERNATIONAL SWIMMING POOL & SPA CODE and the APSP/ANSI/ICC-5 2011 STANDARDS FOR RESIDENTIAL INGROUND SWIMMING POOLS.
- A means of entry & exit for the deep end & shallow end of the pool must be provided in accordance with 2018 INTERNATIONAL SWIMMING POOL & SPA CODE, section 809.
- Equipotential bonding must be provided in accordance with the NATIONAL ELECTRIC CODE, NFPA 70.
- All A-frame braces are to be contained within an 8" thick continuous poured concrete (2500 psi) perimeter collar.
- Backfill with clean earth, free of roots and debris.
- Finished bottom is to be 2" minimum of suitable material or undisturbed earth.
- 3' wide, 3" thick concrete deck is to be poured at a slope of 1/4" to 1' away from the pool. NO DIVING labels are to be installed around the perimeter of the pool.
- A safety line, with buoys, is to be permanently attached 10' to the shallow side of the point of first slope change.
- Suction entrapment avoidance to be installed in accordance with APSP/ANSI/ICC-7

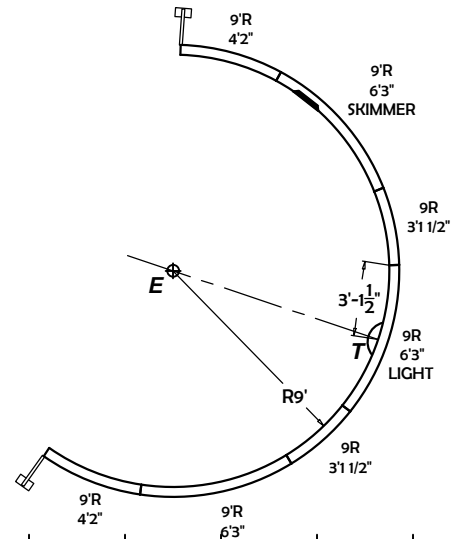
8" RADIUS PLASTIC STEP OPTION



8" x 14" STEEL STAIR OPTION



LIGHT PANEL OPTION



23' x 37' Reverse View

Mountain Lake

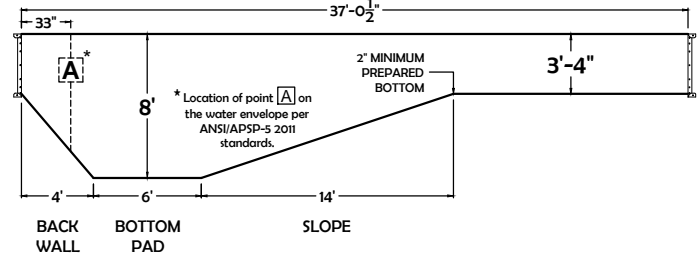
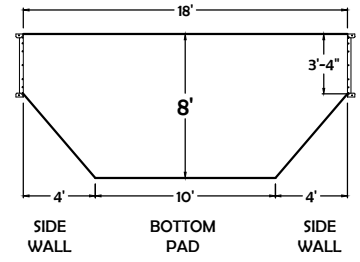
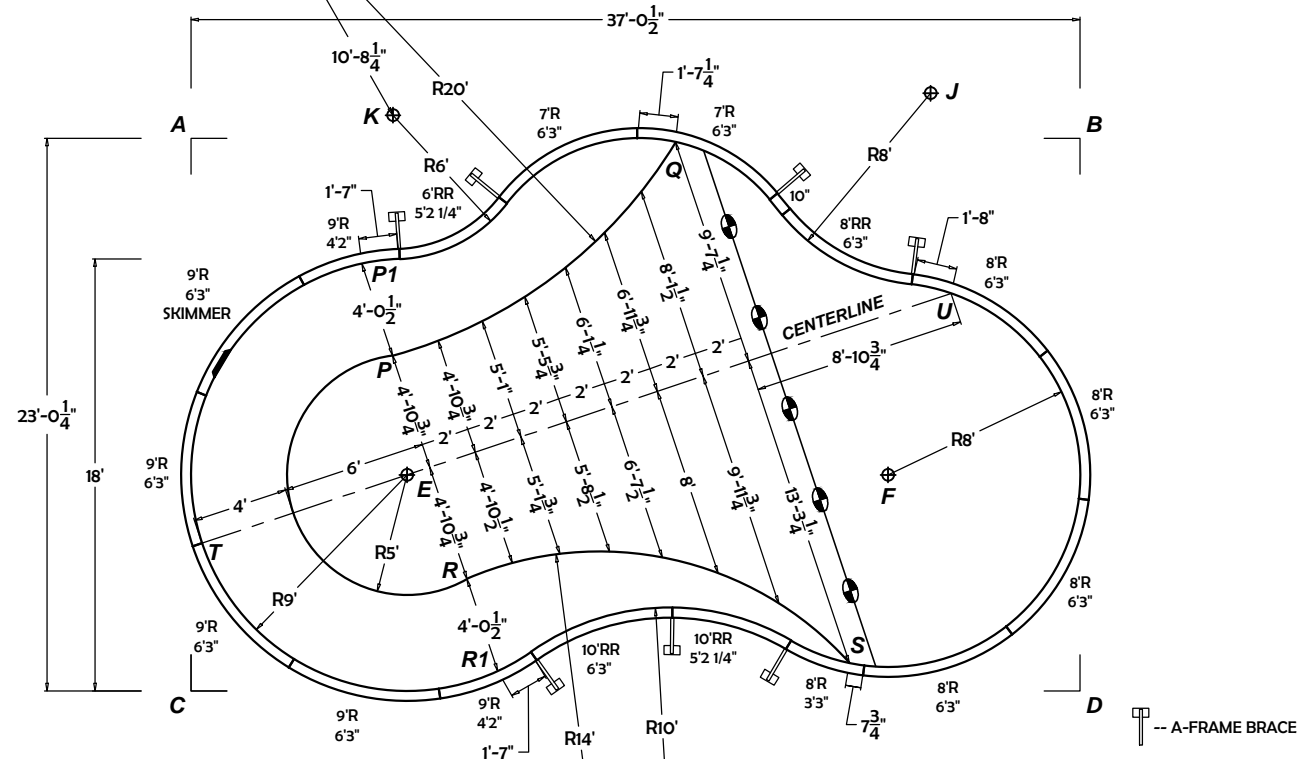
Perimeter	98'-3"	page 1 of 3	No Stairs	8'R x 14'W Stair	8'R Plastic Step
Surface Area	599.71 SF				
Volume	20000 gal				
Liner Sq. Ft.	666.7500 SF				

ITEM #	PART DESCRIPTION	No Stairs	8'R x 14'W Stair	8'R Plastic Step
04170	9' Radius Panel - 6'3"	2	2	2
04172	9' Radius Skimmer - 6'3"	1	1	1
04176	9' Radius Return - 6'3"	1	1	2
04304	9' Radius Panel - 4'2"	2	2	2
04162	8' Radius Panel - 6'3"	3		1
04167	8' Radius Return - 6'3"	1		1
04441	8' Radius Panel - 4'2"		2	
04163	8' Radius Panel - 3'3"	1	1	1
04164	8' Radius Panel - 2'3"			2
04434	7' Radius Panel - 6'3"	1	1	1
04433	7' Radius Return - 6'3"	1	1	1
04301	10' Reverse Radius - 6'3"	1	1	1
04300	10' Reverse Radius - 5'2 1/4"	1	1	1
04165	8' Reverse Radius - 6'3"	1	1	1
04071	6' Reverse Radius - 5'2 1/4"	1	1	1
04131	10" Plain Panel	1	1	1
----	Adjustable A-Frame	7	7	9
04010B	8'R x 14'W Steel Stair		1	
07418RSNR	8' Radius Step-n-Rest			1
PAK-75	Nut & Bolt Pak - 75 pcs			
PAK-100	Nut & Bolt Pak - 100 pcs	2	2	2
04444	9' Radius Light - 6'3"			
04173	9' Radius Panel - 3'1 1/2"			

ALL DIMENSIONS ARE FINISH DIMENSIONS

** see page A5 (full steel) & A6 (Nexus) for Radius Inside Steel Stair Filler specifications
 ** Coping Layouts are shown on pages A73 (Progressive) & A100 (CP2)

FROM A TO:	FROM B TO:	FROM C TO:	FROM D TO:	FROM T TO:	FROM U TO:
D 43'-7 1/2"	C 43'-7 1/2"	B 43'-7 1/2"	A 43'-7 1/2"	N1 21'-11"	N1 28'-9 1/4"
N1 35'-6 3/4"	N1 37'-1 1/4"	N1 18'-10 3/4"	N1 21'-7 3/4"	N2 27'-2 3/4"	N2 33'-1"
N2 10'-8"	N2 35'-5 1/2"	N2 33'-4 3/4"	N2 47'-6 1/4"	P 11'-1 3/4"	P 23'-5"
P 12'-4 1/4"	P 30'-0 1/2"	P 16'-3 1/2"	P 31'-10 1/2"	P1 13'-5"	P1 24'-7"
P1 8'-10"	P1 30'-4 1/2"	P1 19'-2"	P1 34'-9 3/4"	Q 25'-10 1/4"	Q 13'-1"
Q 20'-2 1/4"	Q 16'-10 1/4"	Q 30'-6"	Q 30'-5"	R 11'-1 3/4"	R 23'-5"
R 21'-8"	R 31'-5 1/2"	R 12'-5"	R 25'-11 3/4"	R1 13'-5"	R1 24'-7"
R1 25'-7 1/4"	R1 32'-10 3/4"	R1 12'-9 3/4"	R1 24'-3 1/4"	S 9'-8 1/4"	S 15'-11 1/2"
S 35'-1"	S 23'-10 1/2"	S 23'-5 1/2"	S 9'-8 1/4"	T 37'-1 1/4"	
T 16'-10 1/2"	T 40'-3 1/2"	T 6'-2"	T 37'-1 1/4"	U 17'-5"	
U 32'-3 3/4"	U 8'-5"	U 35'-8 3/4"	U 17'-5"		



DIVING PERMITTED ONLY FROM DESIGNATED DIVING AREA.
 The bottom configuration shown conforms with current ISPSC & ANSI / APSP / ICC suggested minimum standards for pools approved for use with manufactured diving equipment.

WARNING: Swimming pools can be dangerous if used improperly. Consult your dealer for information on safe use. It's the responsibility of town officials, builders and homeowners to follow safety recommendations of APSP/ANSI, local ordinances & equipment manufacturers.

- All work not specifically shown here is to be done in accordance with the requirements of the 2018 INTERNATIONAL SWIMMING POOL & SPA CODE, APSP/ANSI/ICC-5 2011 STANDARDS FOR RESIDENTIAL INGROUND SWIMMING POOLS, and all other local building codes.
- Construction Drawing: Different methods and precautions may be dictated by various ground conditions. This is to be determined by and is the responsibility of the contractor who is not an agent of the manufacturer of the component parts.
- Depth and shape of the pool meet minimum standards of the 2018 INTERNATIONAL SWIMMING POOL & SPA CODE and the APSP/ANSI/ICC-5 2011 STANDARDS FOR RESIDENTIAL INGROUND SWIMMING POOLS.
- A means of entry & exit for the deep end & shallow end of the pool must be provided in accordance with 2018 INTERNATIONAL SWIMMING POOL & SPA CODE, section 809.
- Equipotential bonding must be provided in accordance with the NATIONAL ELECTRIC CODE, NFPA 70.
- All A-frame braces are to be contained within an 8" thick continuous poured concrete (2500 psi) perimeter collar.
- Backfill with clean earth, free of roots and debris.
- Finished bottom is to be 2" minimum of suitable material or undisturbed earth.
- 3' wide, 3" thick concrete deck is to be poured at a slope of 1/8" to 1' away from the pool.
- NO DIVING labels are to be installed around the perimeter of the pool.
- A safety line, with buoys, is to be permanently attached 10' to the shallow side of the point of first slope change.
- Suction entrapment avoidance to be installed in accordance with APSP/ANSI/ICC-7

23' x 37' Reverse View Mountain Lake

Perimeter	98'-3"	page 2 of 3
Surface Area	599.71 SF	
Volume	20000 gal	
Liner Sq. Ft.	666.7500 SF	

ALL DIMENSIONS
ARE FINISH
DIMENSIONS

A to D	43'-7 1/2"
B to C	

FROM A TO:	TO:
E	16'-8"
F	32'-3"
G	19'-11 1/2"
H	35'-8"
J	30'-10 1/2"
K	8'-5 3/4"
W	25'-8"
X	10'-0 1/2"
Y	30'-7 3/4"
Z	32'-7 1/4"

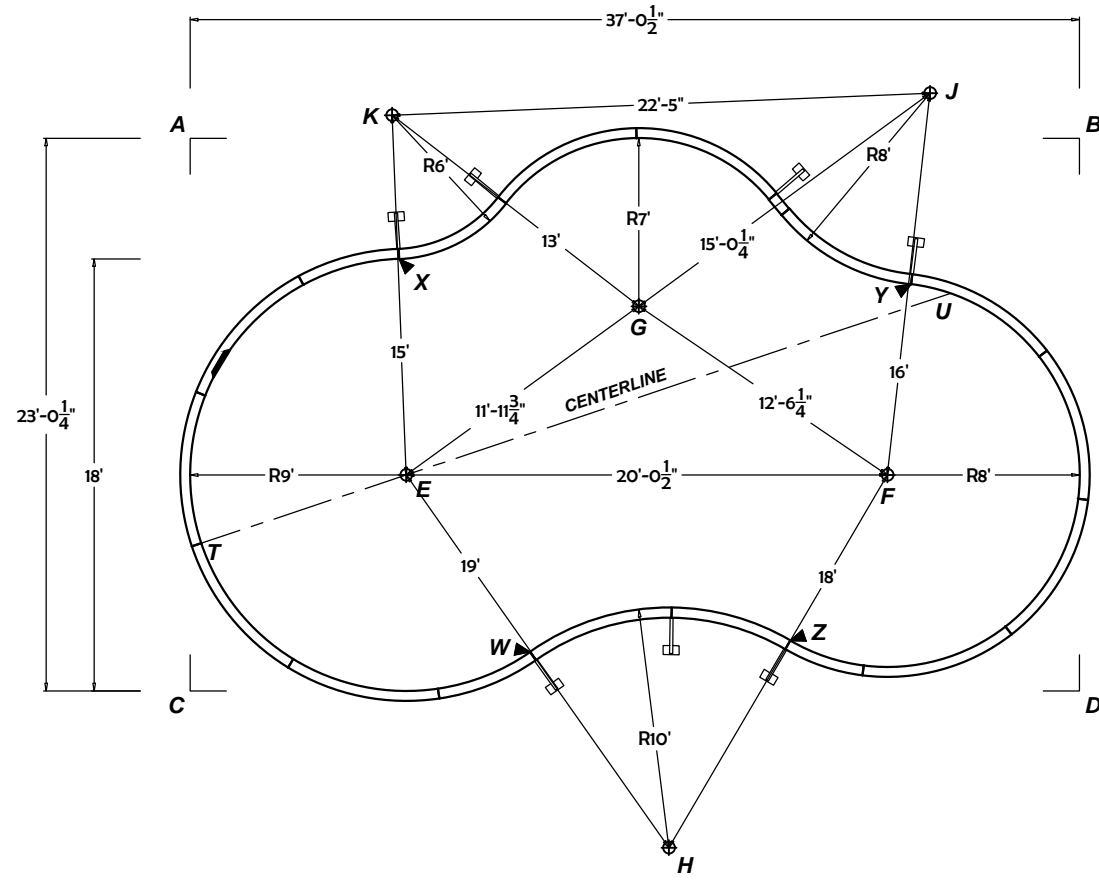
FROM B TO:	TO:
E	31'-4 1/4"
F	16'-1 3/4"
G	19'-7 3/4"
H	34'-1 3/4"
J	6'-6"
K	28'-7 3/4"
W	3'-4"
X	28'-9 1/2"
Y	9'-3 1/2"
Z	24'-1 3/4"

FROM C TO:	TO:
E	12'-8 3/4"
F	30'-5"
G	24'-7 1/2"
H	20'-11 3/4"
J	39'-7 1/2"
K	25'-5"
W	14'-3"
X	19'-11 3/4"
Y	34'-5 3/4"
Z	25'-1"

FROM D TO:	TO:
E	29'-5 1/2"
F	12'-0 1/2"
G	24'-4 1/2"
H	18'-3 3/4"
J	25'-8"
K	37'-4 1/4"
W	22'-11 1/4"
X	33'-7"
Y	18'-4"
Z	12'-2 3/4"

FROM T TO:	TO:
E	9'
F	28'-8 3/4"
G	20'-8 3/4"
H	23'-3"
J	35'-8"
K	19'-6 1/4"
W	14'-5"
X	14'-5"
Y	31'-5 3/4"
Z	24'-10 1/2"

FROM U TO:	TO:
E	23'-10 3/4"
F	8'
G	12'-11 3/4"
H	25'-10 3/4"
J	8'-4 1/2"
K	24'-4 3/4"
W	23'
X	23'
Y	1'-8"
Z	15'-11"



-- A-FRAME BRACE

DIVING PERMITTED ONLY FROM DESIGNATED DIVING AREA.
The bottom configuration shown conforms with current ISPSC & ANSI / APSP / ICC suggested minimum standards for pools approved for use with manufactured diving equipment.

WARNING: Swimming pools can be dangerous if used improperly. Consult your dealer for information on safe use. It's the responsibility of town officials, builders and homeowners to follow safety recommendations of APSP/ANSI, local ordinances & equipment manufacturers.

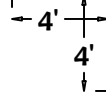
- All work not specifically shown here is to be done in accordance with the requirements of the 2018 INTERNATIONAL SWIMMING POOL & SPA CODE, APSP/ANSI/ICC-5 2011 STANDARDS FOR RESIDENTIAL INGROUND SWIMMING POOLS, and all other local building codes.
- Construction Drawing: Different methods and precautions may be dictated by various ground conditions. This is to be determined by and is the responsibility of the contractor who is not an agent of the manufacturer of the component parts.
- Depth and shape of the pool meet minimum standards of the 2018 INTERNATIONAL SWIMMING POOL & SPA CODE and the APSP/ANSI/ICC-5 2011 STANDARDS FOR RESIDENTIAL INGROUND SWIMMING POOLS.
- A means of entry & exit for the deep end & shallow end of the pool must be provided in accordance with 2018 INTERNATIONAL SWIMMING POOL & SPA CODE, section 809.
- Equipotential bonding must be provided in accordance with the NATIONAL ELECTRIC CODE, NFPA 70.
- All A-frame braces are to be contained within an 8" thick continuous poured concrete (2500 psi) perimeter collar.
- Backfill with clean earth, free of roots and debris.
- Finished bottom is to be 2" minimum of suitable material or undisturbed earth.
- 3" wide, 3" thick concrete deck is to be poured at a slope of 1/4" to 1' away from the pool. NO DIVING labels are to be installed around the perimeter of the pool.
- A safety line, with buoys, is to be permanently attached 10' to the shallow side of the point of first slope change.
- Suction entrapment avoidance to be installed in accordance with APSP/ANSI/ICC-7

23' x 37' Reverse View Mountain Lake

Perimeter	98'-3"	page 3 of 3
Surface Area	599.71 SF	
Volume	20000 gal	
Liner Sq. Ft.	666.7500 SF	

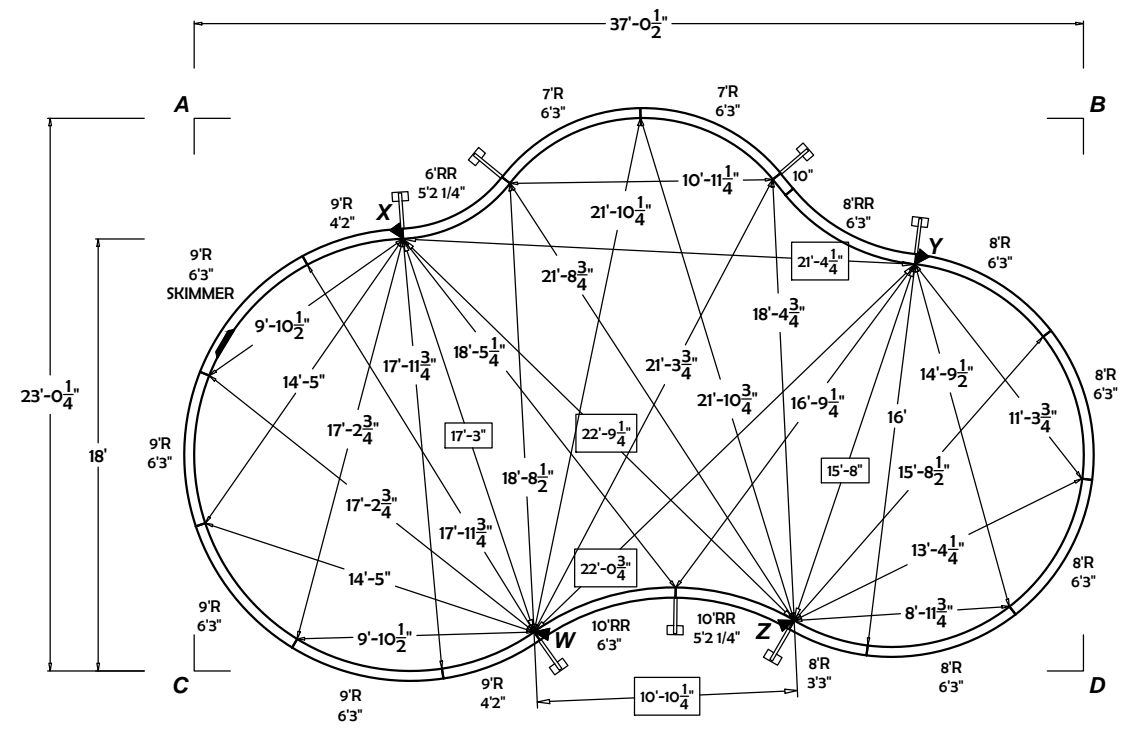
**ALL DIMENSIONS
ARE FINISH
DIMENSIONS**

** see page A5 (full steel) & A6 (Nexus) for Radius
Inside Steel Stair Filler specifications
** Coping Layouts are shown on
pages A73 (Progressive) & A100 (CP2)



FROM A TO:		FROM B TO:		FROM C TO:		FROM D TO:		FROM T TO:		FROM U TO:	
W	25'-8"	W	31'-4"	W	14'-3"	W	22'-11 1/4"	W	14'-5"	W	23'
X	10'-0 1/2"	X	28'-9 1/2"	X	19'-11 3/4"	X	33'-7"	X	14'-5"	X	23'
Y	30'-7 3/4"	Y	9'-3 1/2"	Y	34'-5 3/4"	Y	18'-4"	Y	31'-5 3/4"	Y	1'-8"
Z	32'-7 1/4"	Z	24'-1 3/4"	Z	25'-1"	Z	12'-2 3/4"	Z	24'-10 1/2"	Z	15'-11"

A to D	43'-7 1/2"
B to C	



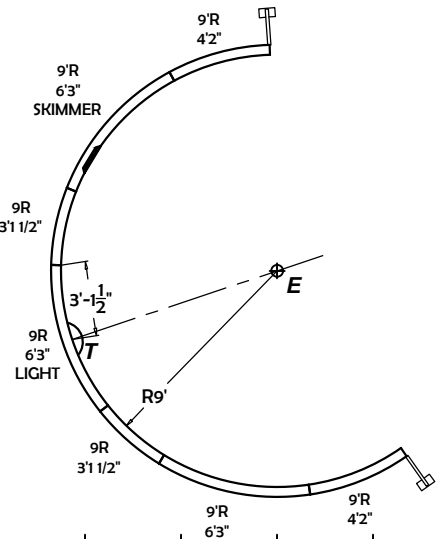
-- A-FRAME BRACE

DIVING PERMITTED ONLY FROM DESIGNATED DIVING AREA.
The bottom configuration shown conforms with current ISPSC & ANSI / APSP / ICC suggested minimum standards for pools approved for use with manufactured diving equipment.

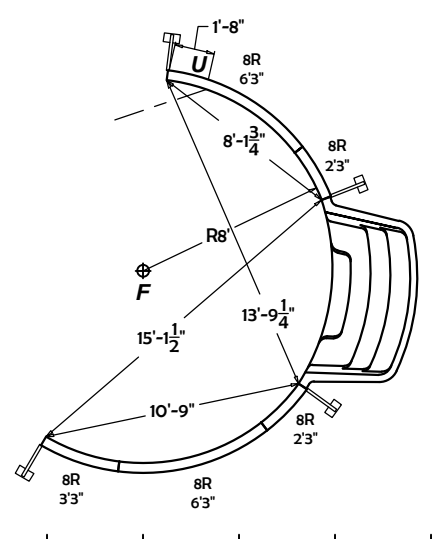
WARNING: Swimming pools can be dangerous if used improperly. Consult your dealer for information on safe use. It's the responsibility of town officials, builders and homeowners to follow safety recommendations of APSP/ANSI, local ordinances & equipment manufacturers.

- All work not specifically shown here is to be done in accordance with the requirements of the 2018 INTERNATIONAL SWIMMING POOL & SPA CODE, APSP/ANSI/ICC-5 2011 STANDARDS FOR RESIDENTIAL INGROUND SWIMMING POOLS, and all other local building codes.
- Construction Drawing: Different methods and precautions may be dictated by various ground conditions. This is to be determined by and is the responsibility of the contractor who is not an agent of the manufacturer of the component parts.
- Depth and shape of the pool meet minimum standards of the 2018 INTERNATIONAL SWIMMING POOL & SPA CODE and the APSP/ANSI/ICC-5 2011 STANDARDS FOR RESIDENTIAL INGROUND SWIMMING POOLS.
- A means of entry & exit for the deep end & shallow end of the pool must be provided in accordance with 2018 INTERNATIONAL SWIMMING POOL & SPA CODE, section 809.
- Equipotential bonding must be provided in accordance with the NATIONAL ELECTRIC CODE, NFPA 70.
- All A-frame braces are to be contained within an 8" thick continuous poured concrete (2500 psi) perimeter collar.
- Backfill with clean earth, free of roots and debris.
- Finished bottom is to be 2" minimum of suitable material or undisturbed earth.
- 3' wide, 3" thick concrete deck is to be poured at a slope of 1/4" to 1' away from the pool.
- NO DIVING labels are to be installed around the perimeter of the pool.
- A safety line, with buoys, is to be permanently attached 10' to the shallow side of the point of first slope change.
- Suction entrapment avoidance to be installed in accordance with APSP/ANSI/ICC-7

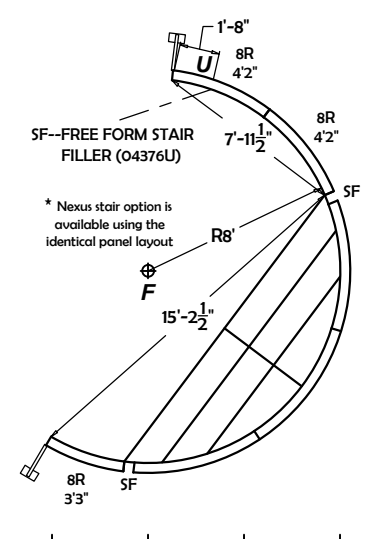
LIGHT PANEL OPTION



8' RADIUS PLASTIC STEP OPTION



8'R x 14'W STEEL STAIR OPTION



* Nexus stair option is available using the identical panel layout

23' x 42' Standard View Mountain Lake

Perimeter	107'-6"	page 1 of 3	No Stairs	8'R x 14'W Stair	8'R Plastic Step
Surface Area	705.53 SF				
Volume	22300 gal				
Liner Sq. Ft.	753.0000 SF				
ITEM #	PART DESCRIPTION				
04477	10' Radius Skimmer - 6'3"	1	1	1	
04306	10' Radius Panel - 4'7 1/4"	1	1	1	
04302	10' Radius Panel - 3'5 1/2"	1	1	1	
04170	9' Radius Panel - 6'3"	1	1	1	
04172	9' Radius Skimmer - 6'3"	1	1	1	
04176	9' Radius Return - 6'3"	2	2	2	
04442	9' Radius Panel - 4'7 1/4"	1	1	1	
04175	9' Radius Panel - 3'9 3/4"	1	1	1	
04162	8' Radius Panel - 6'3"	3		1	
04167	8' Radius Return - 6'3"	1		1	
04441	8' Radius Panel - 4'2"		2		
04164	8' Radius Panel - 2'3"			2	
04129	4' Radius Panel - 6'3"	1	1	1	
04165	8' Reverse Radius - 6'3"	1	1	1	
04072	8' Reverse Radius - 5'2 1/4"	3	3	3	
04071	6' Reverse Radius - 5'2 1/4"	1	1	1	
04479	1'2" Plain Panel	1	1	1	
----	Adjustable A-Frame	9	9	11	
04010B	8'R x 14'W Steel Stair		1		
07418RSNR	8' Radius Step-n-Rest			1	
PAK-75	Nut & Bolt Pak - 75 pcs	3	3	3	
PAK-100	Nut & Bolt Pak - 100 pcs				
04444	9' Radius Light - 6'3"				
04173	9' Radius Panel - 3'1 1/2"				

DIVING PERMITTED ONLY FROM DESIGNATED DIVING AREA.
 The bottom configuration shown conforms with current ISPSC & ANSI / APSP / ICC suggested minimum standards for pools approved for use with manufactured diving equipment.

WARNING: Swimming pools can be dangerous if used improperly. Consult your dealer for information on safe use. It's the responsibility of town officials, builders and homeowners to follow safety recommendations of APSP/ANSI, local ordinances & equipment manufacturers.

- All work not specifically shown here is to be done in accordance with the requirements of the 2018 INTERNATIONAL SWIMMING POOL & SPA CODE, APSP/ANSI/ICC-5 2011 STANDARDS FOR RESIDENTIAL INGROUND SWIMMING POOLS, and all other local building codes.
- Construction Drawing: Different methods and precautions may be dictated by various ground conditions. This is to be determined by and is the responsibility of the contractor who is not an agent of the manufacturer of the component parts.
- Depth and shape of the pool meet minimum standards of the 2018 INTERNATIONAL SWIMMING POOL & SPA CODE and the APSP/ANSI/ICC-5 2011 STANDARDS FOR RESIDENTIAL INGROUND SWIMMING POOLS.
- A means of entry & exit for the deep end & shallow end of the pool must be provided in accordance with 2018 INTERNATIONAL SWIMMING POOL & SPA CODE, section 809.
- Equipotential bonding must be provided in accordance with the NATIONAL ELECTRIC CODE, NFPA 70.
- All A-frame braces are to be contained within an 8" thick continuous poured concrete (2500 psi) perimeter collar.
- Backfill with clean earth, free of roots and debris.
- Finished bottom is to be 2" minimum of suitable material or undisturbed earth.
- 3" wide, 3" thick concrete deck is to be poured at a slope of 1/4" to 1' away from the pool.
- NO DIVING labels are to be installed around the perimeter of the pool.
- A safety line, with buoys, is to be permanently attached 10' to the shallow side of the point of first slope change.
- Suction entrapment avoidance to be installed in accordance with APSP/ANSI/ICC-7

ALL DIMENSIONS ARE FINISH DIMENSIONS

** see page A5 (full steel) & A6 (Nexus) for Radius Inside Steel Stair Filler specifications
 ** Coping Layouts are shown on pages A73 (Progressive) & A100 (CP2)

FROM A TO:

D	47'-9 1/2"
N1	33'-7 3/4"
N2	12'-1 1/4"
P	13'-9 1/2"
P1	11'-0 1/2"
Q	23'-2 1/2"
R	21'-9"
R1	25'-7 1/2"
S	35'-1 1/4"
T	15'-4 1/4"
U	42'-8 1/4"

FROM B TO:

C	47'-9 1/2"
N1	39'-0 3/4"
N2	37'-2"
P	32'-9 1/2"
P1	32'-5 1/2"
Q	18'-7 1/2"
R	35'-4 3/4"
R1	37'-3 1/4"
S	27'-10"
T	44'-5 3/4"
U	9'-8"

FROM C TO:

B	47'-9 1/2"
N1	17'-4 3/4"
N2	34'-1 1/2"
P	17'-4 3/4"
P1	20'-5 3/4"
Q	32'-9 1/4"
R	12'-6 1/2"
R1	12'-2 1/4"
S	26'-4 3/4"
T	7'-9 1/4"
U	43'-8 1/2"

FROM D TO:

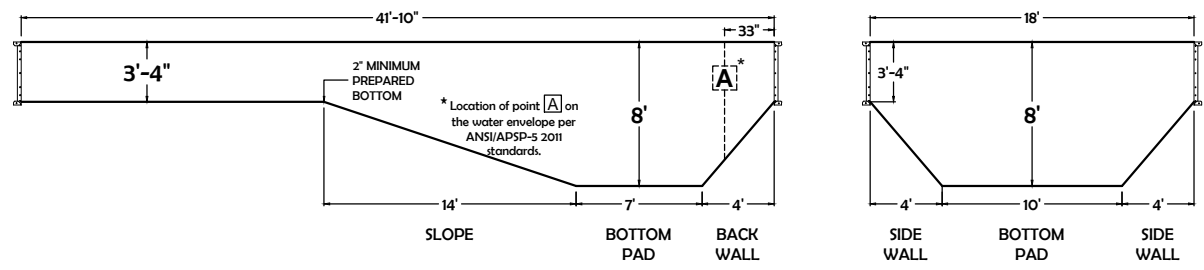
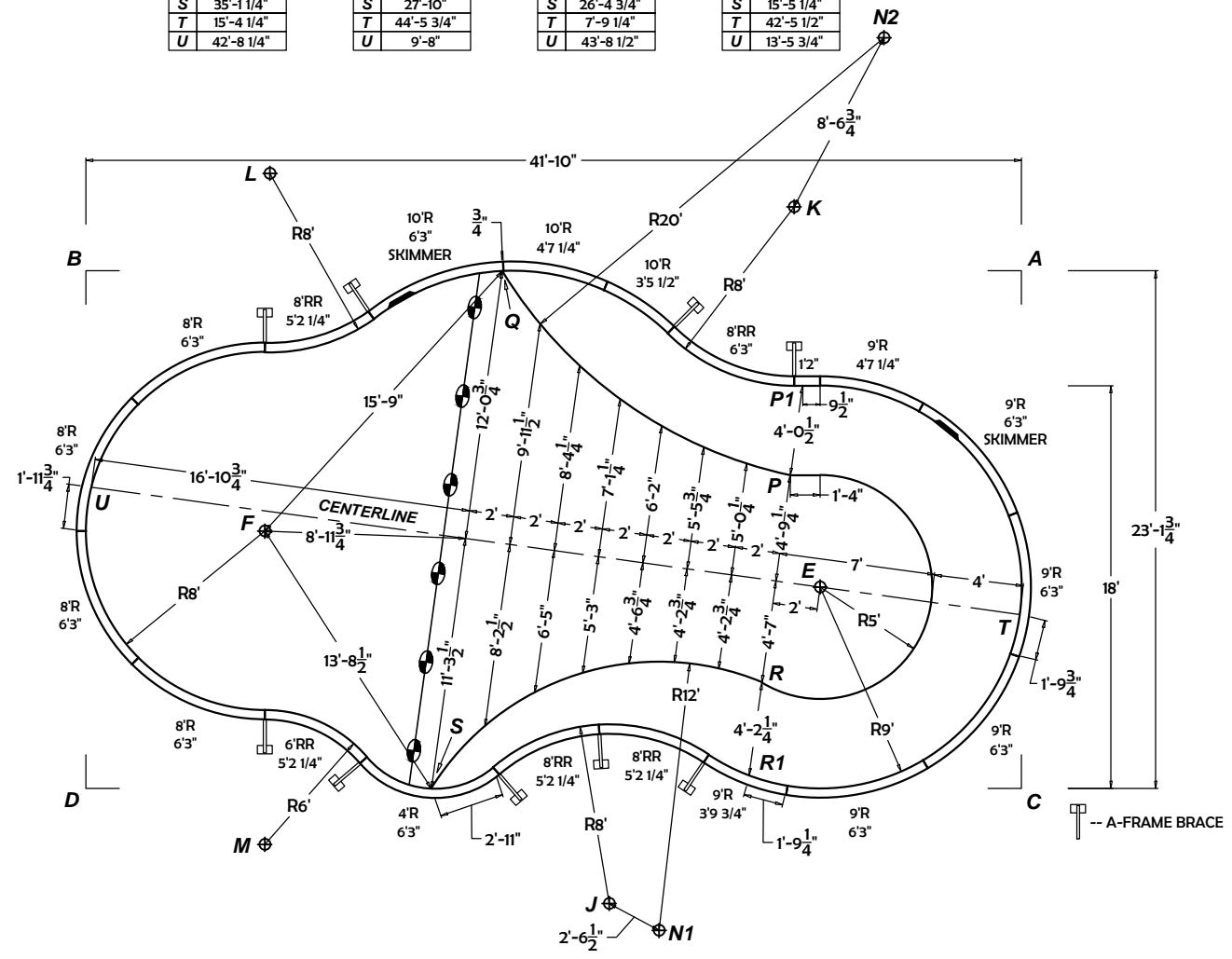
A	47'-9 1/2"
N1	26'-4 3/4"
N2	48'-11 3/4"
P	34'-5 1/2"
P1	36'-9"
Q	29'-8 1/4"
R	30'-7 1/4"
R1	29'-8"
S	15'-5 1/4"
T	42'-5 1/2"
U	13'-5 3/4"

FROM T TO:

N1	21'-5 1/4"
N2	26'-5 3/4"
P	12"
P1	14'-1"
Q	27'-9"
R	11'-11"
R1	14'-0 3/4"
S	27'-5 1/4"

FROM U TO:

N1	32'-2 1/2"
N2	40'-8 3/4"
P	31'-3"
P1	32'-1 1/2"
Q	20'-9"
R	31'-2 3/4"
R1	32'-1 1/4"
S	20'-3 3/4"



4'
4'

23' x 42' Standard View Mountain Lake

Perimeter	107'-6"	page 2 of 3
Surface Area	705.53 SF	
Volume	22300 gal	
Liner Sq. Ft.	753.0000 SF	

ALL DIMENSIONS ARE FINISH DIMENSIONS

FROM A TO:	Dimension
E	16'-9"
F	35'-9 1/4"
G	24'-10 1/4"
H	32'-5 3/4"
J	33'-9"
K	10'-6 3/4"
L	33'-10 1/2"
M	42'-5 1/4"
W	25'-9"
X	10'-4 1/4"
Y	34'-0 1/4"
Z	32'-5"

FROM B TO:	Dimension
E	35'-9"
F	14'-1 1/2"
G	21'-6 1/2"
H	24'-8 1/2"
J	36'-8 1/2"
K	31'-9 1/2"
L	9'-3 3/4"
M	26'-10 1/4"
W	35'-3 1/4"
X	33'-2 3/4"
Y	8'-9 1/2"
Z	28'-8 1/2"

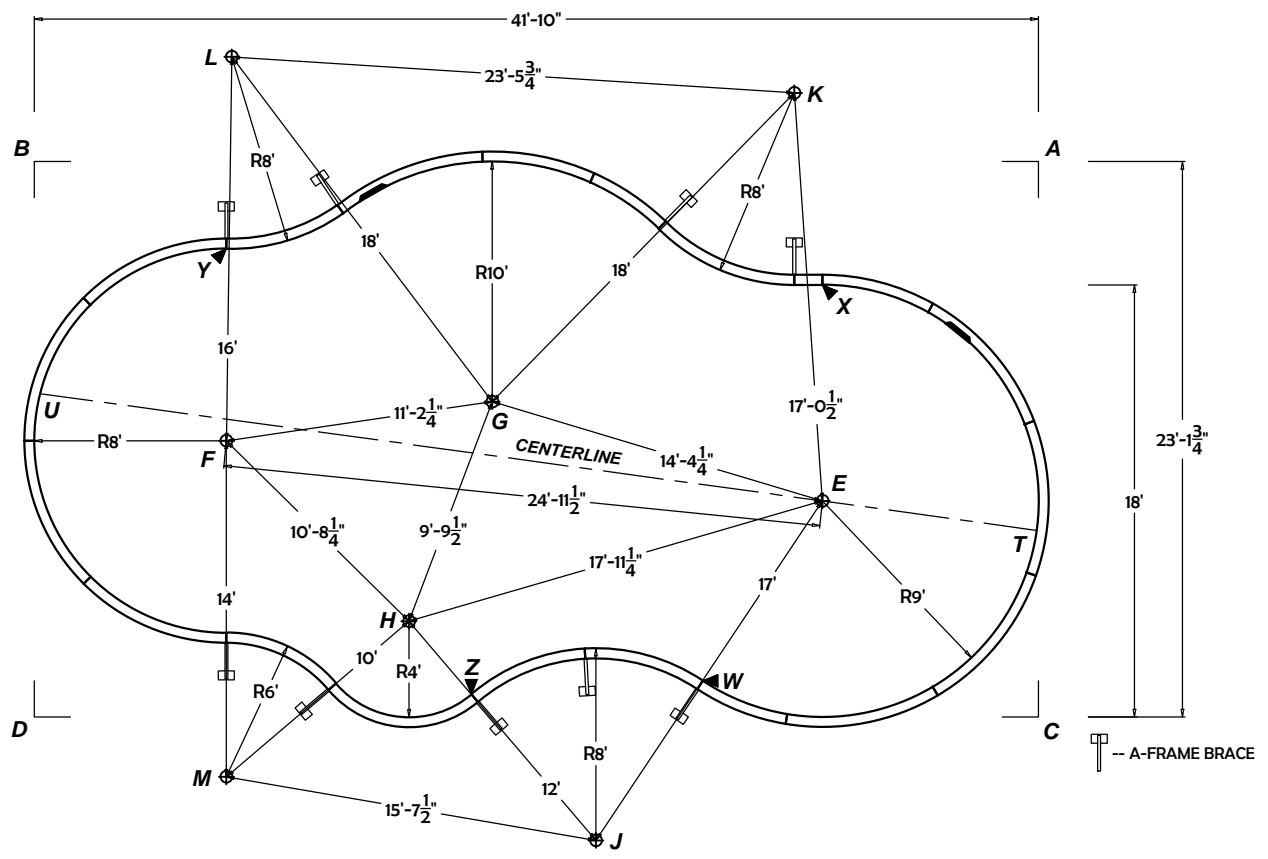
FROM C TO:	Dimension
E	12'-8 3/4"
F	35'-8 3/4"
G	26'-3 1/4"
H	26'-6 1/4"
J	19'-1 3/4"
K	27'-11"
L	43'-5"
M	33'-11"
W	14'-0 3/4"
X	20'-1 1/2"
Y	39'-0 1/2"
Z	23'-7 3/4"

FROM D TO:	Dimension
E	34'-0 1/2"
F	14'
G	23'-2"
H	16'-1 1/4"
J	23'-11 1/2"
K	40'-11 3/4"
L	28'-8 1/2"
M	8'-4 1/2"
W	27'-10 3/4"
X	37'-5 1/4"
Y	21'-1"
Z	18'-2 3/4"

FROM T TO:	Dimension
E	9'
F	33'-11 1/2"
G	23'-3 1/2"
H	26'-5"
J	22'-5 1/4"
K	20'-10"
L	38'-10 3/4"
M	35'-3 1/4"
W	15'-3"
X	13'-6 3/4"
Y	35'-8 3/4"
Z	24'-6 1/4"

FROM U TO:	Dimension
E	32'-10 3/4"
F	8'
G	18'-10"
H	18'-0 1/2"
J	29'-8 1/2"
K	33'-10"
L	16'-1 3/4"
M	17'-9"
W	30'-1"
X	32'-10 3/4"
Y	9'-9 3/4"
Z	21'-10 3/4"

A to D	47'-9 1/2"
B to C	



DIVING PERMITTED ONLY FROM DESIGNATED DIVING AREA.
The bottom configuration shown conforms with current ISPSC & ANSI / APSP / ICC suggested minimum standards for pools approved for use with manufactured diving equipment.

WARNING: Swimming pools can be dangerous if used improperly. Consult your dealer for information on safe use. It's the responsibility of town officials, builders and homeowners to follow safety recommendations of APSP/ANSI, local ordinances & equipment manufacturers.

- All work not specifically shown here is to be done in accordance with the requirements of the 2018 INTERNATIONAL SWIMMING POOL & SPA CODE, APSP/ANSI/ICC-5 2011 STANDARDS FOR RESIDENTIAL INGROUND SWIMMING POOLS, and all other local building codes.
- Construction Drawing: Different methods and precautions may be dictated by various ground conditions. This is to be determined by and is the responsibility of the contractor who is not an agent of the manufacturer of the component parts.
- Depth and shape of the pool meet minimum standards of the 2018 INTERNATIONAL SWIMMING POOL & SPA CODE and the APSP/ANSI/ICC-5 2011 STANDARDS FOR RESIDENTIAL INGROUND SWIMMING POOLS.
- A means of entry & exit for the deep end & shallow end of the pool must be provided in accordance with 2018 INTERNATIONAL SWIMMING POOL & SPA CODE, section 809.
- Equipotential bonding must be provided in accordance with the NATIONAL ELECTRIC CODE, NFPA 70.
- All A-frame braces are to be contained within an 8" thick continuous poured concrete (2500 psi) perimeter collar.
- Backfill with clean earth, free of roots and debris.
- Finished bottom is to be 2" minimum of suitable material or undisturbed earth.
- 3" wide, 3" thick concrete deck is to be poured at a slope of 1/4" to 1' away from the pool. NO DIVING labels are to be installed around the perimeter of the pool.
- A safety line, with buoys, is to be permanently attached 10' to the shallow side of the point of first slope change.
- Suction entrapment avoidance to be installed in accordance with APSP/ANSI/ICC-7

23' x 42' Standard View Mountain Lake

Perimeter	107'-6"	page 3 of 3
Surface Area	705.53 SF	
Volume	22300 gal	
Liner Sq. Ft.	753.0000 SF	

ALL DIMENSIONS ARE FINISH DIMENSIONS

** see page A5 (full steel) & A6 (Nexus) for Radius Inside Steel Stair Filler specifications
** Coping Layouts are shown on pages A73 (Progressive) & A100 (CP2)

A to D	47'-9 1/2"
B to C	

FROM A TO:	
W	25'-9"
X	10'-4 1/4"
Y	34'-0 1/4"
Z	32'-5"

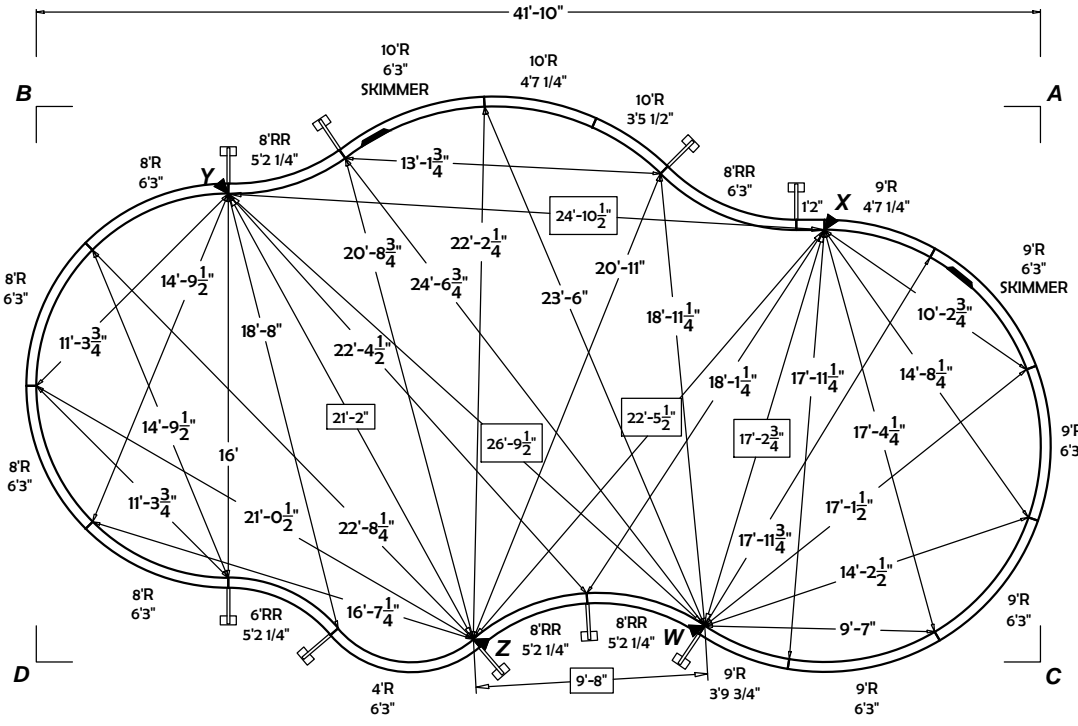
FROM B TO:	
W	35'-3 1/4"
X	33'-2 3/4"
Y	8'-9 1/2"
Z	28'-8 1/2"

FROM C TO:	
W	14'-0 3/4"
X	20'-1 1/2"
Y	39'-0 1/2"
Z	23'-7 3/4"

FROM D TO:	
W	27'-10 3/4"
X	37'-5 1/4"
Y	21'-1"
Z	18'-2 3/4"

FROM T TO:	
W	15'-3"
X	13'-6 3/4"
Y	35'-8 3/4"
Z	24'-6 1/4"

FROM U TO:	
W	30'-1"
X	32'-10 3/4"
Y	9'-9 3/4"
Z	21'-10 3/4"

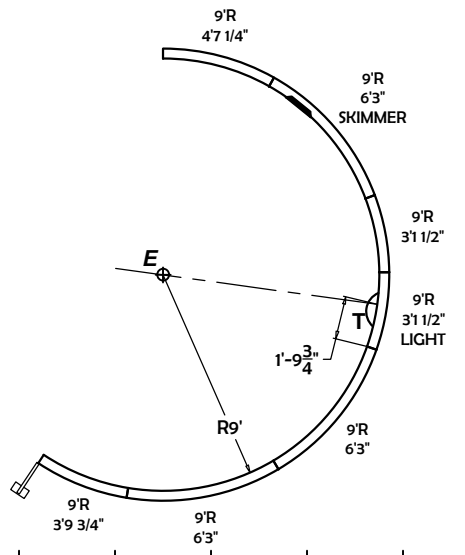
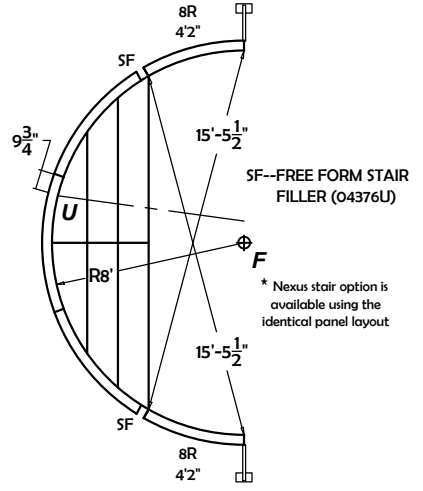
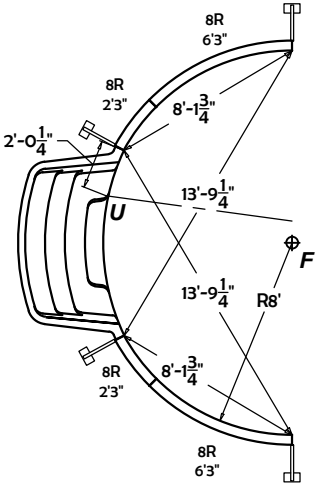


-- A-FRAME BRACE

8" RADIUS PLASTIC STEP OPTION

8" x 14" W STEEL STAIR OPTION

LIGHT PANEL OPTION



DIVING PERMITTED ONLY FROM DESIGNATED DIVING AREA.
The bottom configuration shown conforms with current ISPSC & ANSI / APSP / ICC suggested minimum standards for pools approved for use with manufactured diving equipment.

WARNING: Swimming pools can be dangerous if used improperly. Consult your dealer for information on safe use. It's the responsibility of town officials, builders and homeowners to follow safety recommendations of APSP/ANSI, local ordinances & equipment manufacturers.

- All work not specifically shown here is to be done in accordance with the requirements of the 2018 INTERNATIONAL SWIMMING POOL & SPA CODE, APSP/ANSI/ICC-5 2011 STANDARDS FOR RESIDENTIAL INGROUND SWIMMING POOLS, and all other local building codes.
- Construction Drawing: Different methods and precautions may be dictated by various ground conditions. This is to be determined by and is the responsibility of the contractor who is not an agent of the manufacturer of the component parts.
- Depth and shape of the pool meet minimum standards of the 2018 INTERNATIONAL SWIMMING POOL & SPA CODE and the APSP/ANSI/ICC-5 2011 STANDARDS FOR RESIDENTIAL INGROUND SWIMMING POOLS.
- A means of entry & exit for the deep end & shallow end of the pool must be provided in accordance with 2018 INTERNATIONAL SWIMMING POOL & SPA CODE, section 809.
- Equipotential bonding must be provided in accordance with the NATIONAL ELECTRIC CODE, NFPA 70.
- All A-frame braces are to be contained within an 8" thick continuous poured concrete (2500 psi) perimeter collar.
- Backfill with clean earth, free of roots and debris.
- Finished bottom is to be 2" minimum of suitable material or undisturbed earth.
- 3' wide, 3" thick concrete deck is to be poured at a slope of 1/4" to 1' away from the pool. NO DIVING labels are to be installed around the perimeter of the pool.
- A safety line, with buoys, is to be permanently attached 10' to the shallow side of the point of first slope change.
- Suction entrapment avoidance to be installed in accordance with APSP/ANSI/ICC-7

23' x 42' Reverse View

Mountain Lake

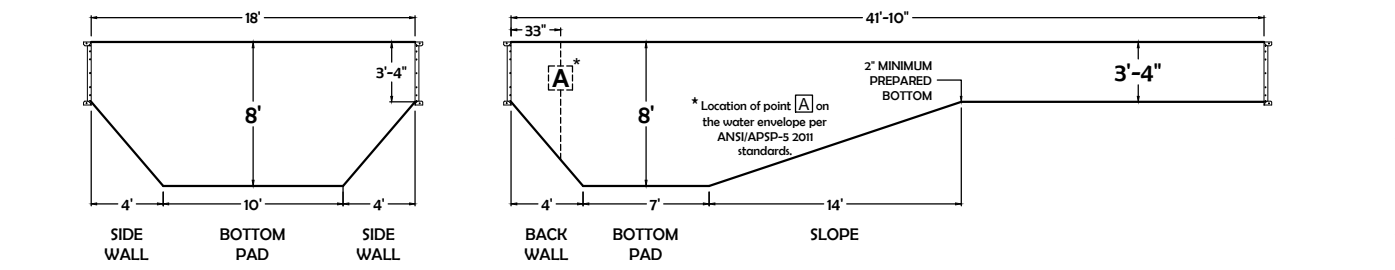
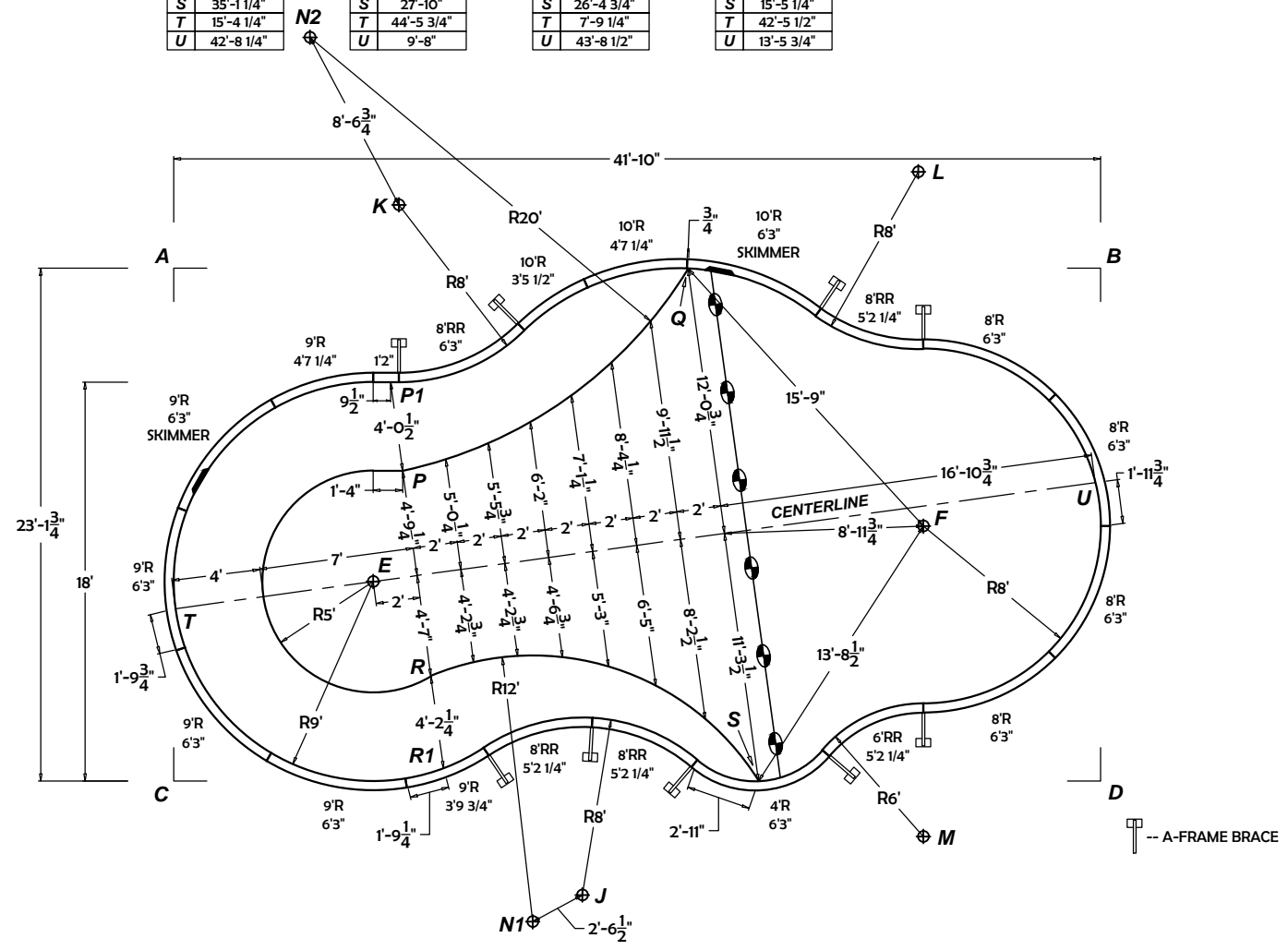
Perimeter	107'-6"	page 1 of 3	No Stairs	8'R x 14'W Stair	8'R Plastic Step
Surface Area	705.53 SF				
Volume	22300 gal				
Liner Sq. Ft.	753.0000 SF				

ITEM #	PART DESCRIPTION	No Stairs	8'R x 14'W Stair	8'R Plastic Step
04477	10' Radius Skimmer - 6'3"	1	1	1
04306	10' Radius Panel - 4'7 1/4"	1	1	1
04302	10' Radius Panel - 3'5 1/2"	1	1	1
04170	9' Radius Panel - 6'3"	1	1	1
04172	9' Radius Skimmer - 6'3"	1	1	1
04176	9' Radius Return - 6'3"	2	2	2
04442	9' Radius Panel - 4'7 1/4"	1	1	1
04175	9' Radius Panel - 3'9 3/4"	1	1	1
04162	8' Radius Panel - 6'3"	3	1	
04167	8' Radius Return - 6'3"	1	1	
04441	8' Radius Panel - 4'2"		2	
04164	8' Radius Panel - 2'3"			2
04129	4' Radius Panel - 6'3"	1	1	1
04165	8' Reverse Radius - 6'3"	1	1	1
04072	8' Reverse Radius - 5'2 1/4"	3	3	3
04071	6' Reverse Radius - 5'2 1/4"	1	1	1
04479	1'2" Plain Panel	1	1	1
----	Adjustable A-Frame	9	9	11
04010B	8'R x 14'W Steel Stair		1	
07418RSNR	8' Radius Step-n-Rest			1
PAK-75	Nut & Bolt Pak - 75 pcs	3	3	3
PAK-100	Nut & Bolt Pak - 100 pcs			
04444	9' Radius Light - 6'3"			
04173	9' Radius Panel - 3'1 1/2"			

ALL DIMENSIONS ARE FINISH DIMENSIONS

** see page A5 (full steel) & A6 (Nexus) for Radius Inside Steel Stair Filler specifications
 ** Coping Layouts are shown on pages A73 (Progressive) & A100 (CP2)

FROM A TO:	FROM B TO:	FROM C TO:	FROM D TO:	FROM T TO:	FROM U TO:
D 47'-9 1/2"	C 47'-9 1/2"	B 47'-9 1/2"	A 47'-9 1/2"	N1 21'-5 1/4"	N1 32'-2 1/2"
N1 33'-7 3/4"	N2 39'-0 3/4"	N1 17'-4 3/4"	N2 26'-4 3/4"	N2 26'-5 3/4"	N2 40'-8 3/4"
N2 12'-1 1/4"	P 37'-2"	N2 34'-1 1/2"	N2 48'-11 3/4"	P 12'	P 31'-3"
P 13'-9 1/2"	P 32'-9 1/2"	P 17'-4 3/4"	P 34'-5 1/2"	P1 14'-1"	P1 32'-1 1/2"
P1 11'-0 1/2"	Q 18'-7 1/2"	P1 20'-5 3/4"	P1 36'-9"	Q 27'-9"	Q 20'-9"
Q 23'-2 1/2"	R 18'-7 1/2"	Q 32'-9 1/4"	Q 29'-8 1/4"	R 11'-11"	R 31'-2 3/4"
R 21'-9"	R 35'-4 3/4"	R 12'-6 1/2"	R 30'-7 1/4"	R1 14'-0 3/4"	R1 32'-1 1/4"
R1 25'-7 1/2"	R1 37'-3 1/4"	R1 12'-2 1/4"	R1 29'-8"	S 15'-5 1/4"	S 20'-3 3/4"
S 35'-1 1/4"	T 27'-10"	S 26'-4 3/4"	S 15'-8"	T 27'-5 1/2"	
T 15'-4 1/4"	T 44'-5 3/4"	T 7'-9 1/4"	T 42'-5 1/2"		
U 42'-8 1/4"	U 9'-8"	U 43'-8 1/2"	U 13'-5 3/4"		



DIVING PERMITTED ONLY FROM DESIGNATED DIVING AREA.
 The bottom configuration shown conforms with current ISPSA & ANSI / APSP / ICC suggested minimum standards for pools approved for use with manufactured diving equipment.

WARNING: Swimming pools can be dangerous if used improperly. Consult your dealer for information on safe use. It's the responsibility of town officials, builders and homeowners to follow safety recommendations of APSP/ANSI, local ordinances & equipment manufacturers.

- All work not specifically shown here is to be done in accordance with the requirements of the 2018 INTERNATIONAL SWIMMING POOL & SPA CODE, APSP/ANSI/ICC-5 2011 STANDARDS FOR RESIDENTIAL INGROUND SWIMMING POOLS, and all other local building codes.
- Construction Drawing: Different methods and precautions may be dictated by various ground conditions. This is to be determined by and is the responsibility of the contractor who is not an agent of the manufacturer of the component parts.
- Depth and shape of the pool meet minimum standards of the 2018 INTERNATIONAL SWIMMING POOL & SPA CODE and the APSP/ANSI/ICC-5 2011 STANDARDS FOR RESIDENTIAL INGROUND SWIMMING POOLS.
- A means of entry & exit for the deep end & shallow end of the pool must be provided in accordance with 2018 INTERNATIONAL SWIMMING POOL & SPA CODE, section 809.
- Equipotential bonding must be provided in accordance with the NATIONAL ELECTRIC CODE, NFPA 70.
- All A-frame braces are to be contained within an 8" thick continuous poured concrete (2500 psi) perimeter collar.
- Backfill with clean earth, free of roots and debris.
- Finished bottom is to be 2" minimum of suitable material or undisturbed earth.
- 3" wide, 3" thick concrete deck is to be poured at a slope of 1/8" to 1' away from the pool.
- NO DIVING labels are to be installed around the perimeter of the pool.
- A safety line, with buoys, is to be permanently attached 10' to the shallow side of the point of first slope change.
- Suction entrapment avoidance to be installed in accordance with APSP/ANSI/ICC-7

23' x 42' Reverse View Mountain Lake

Perimeter	107'-6"	page 2 of 3
Surface Area	705.53 SF	
Volume	22300 gal	
Liner Sq. Ft.	753.0000 SF	

ALL DIMENSIONS
ARE FINISH
DIMENSIONS

FROM A TO:	Dimension
E	16'-9"
F	35'-9 1/4"
G	24'-10 1/4"
H	32'-5 3/4"
J	33'-9"
K	10'-6 3/4"
L	33'-10 1/2"
M	42'-5 1/4"
W	25'-9"
X	10'-4 1/4"
Y	34'-0 1/4"
Z	32'-5"

FROM B TO:	Dimension
E	35'-9"
F	14'-1 1/2"
G	21'-6 1/2"
H	24'-8 1/2"
J	36'-8 1/2"
K	31'-9 1/2"
L	9'-3 3/4"
M	26'-10 1/4"
W	35'-3 1/4"
X	33'-2 3/4"
Y	8'-9 1/2"
Z	28'-8 1/2"

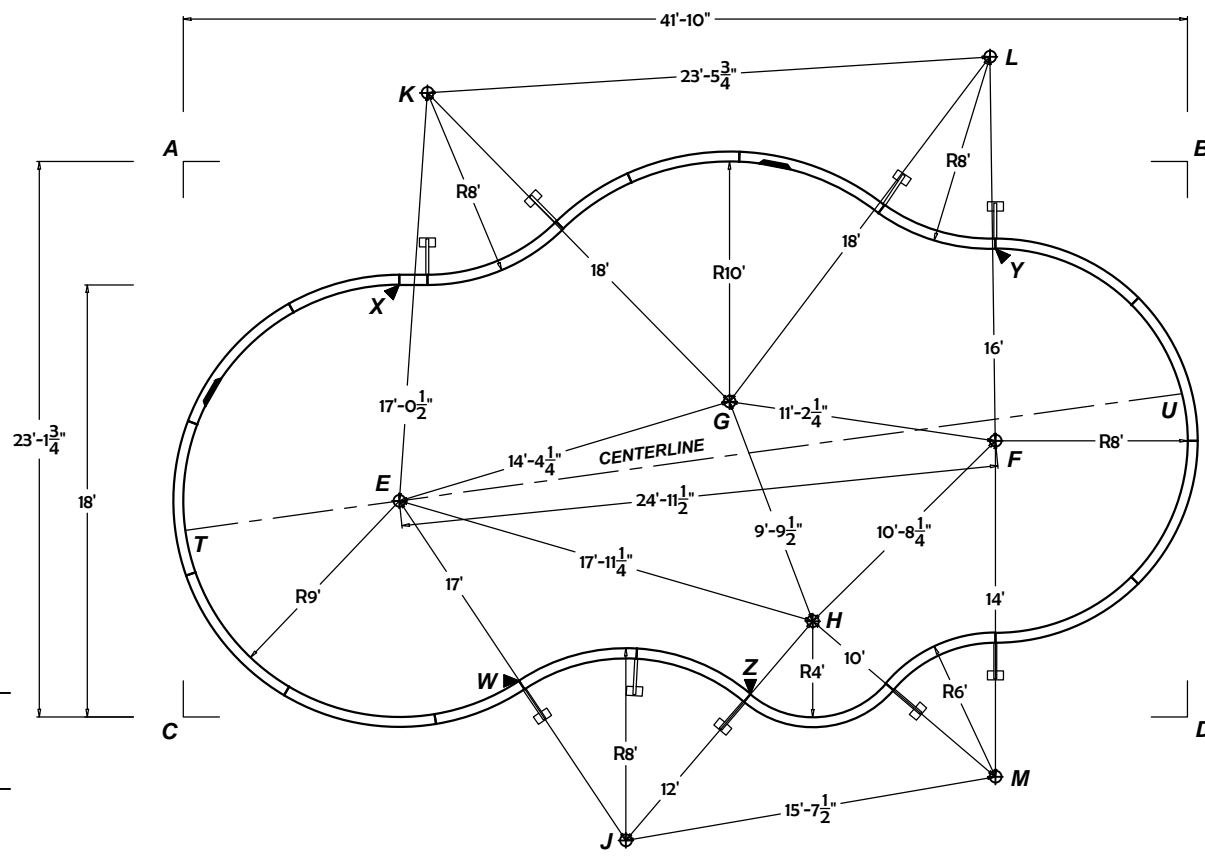
FROM C TO:	Dimension
E	12'-8 3/4"
F	35'-8 3/4"
G	26'-3 1/4"
H	26'-6 1/4"
J	19'-1 3/4"
K	27'-11"
L	43'-5"
M	33'-11"
W	14'-0 3/4"
X	20'-1 1/2"
Y	39'-0 1/2"
Z	23'-7 3/4"

FROM D TO:	Dimension
E	34'-0 1/2"
F	14'
G	23'-2"
H	16'-1 1/4"
J	23'-11 1/2"
K	40'-11 3/4"
L	28'-8 1/2"
M	8'-4 1/2"
W	27'-10 3/4"
X	37'-5 1/4"
Y	21'-1"
Z	18'-2 3/4"

FROM T TO:	Dimension
E	9'
F	33'-11 1/2"
G	23'-3 1/2"
H	26'-5"
J	22'-5 1/4"
K	20'-10"
L	38'-10 3/4"
M	35'-3 1/4"
W	15'-3"
X	13'-6 3/4"
Y	35'-8 3/4"
Z	24'-6 1/4"

FROM U TO:	Dimension
E	32'-10 3/4"
F	8'
G	18'-10"
H	18'-0 1/2"
J	29'-8 1/2"
K	33'-10"
L	16'-1 3/4"
M	17'-9"
W	30'-1"
X	32'-10 3/4"
Y	9'-9 3/4"
Z	21'-10 3/4"

A to D	47'-9 1/2"
B to C	



DIVING PERMITTED ONLY FROM DESIGNATED DIVING AREA.
The bottom configuration shown conforms with current ISPSC & ANSI / APSP / ICC suggested minimum standards for pools approved for use with manufactured diving equipment.

WARNING: Swimming pools can be dangerous if used improperly. Consult your dealer for information on safe use. It's the responsibility of town officials, builders and homeowners to follow safety recommendations of APSP/ANSI, local ordinances & equipment manufacturers.

- All work not specifically shown here is to be done in accordance with the requirements of the 2018 INTERNATIONAL SWIMMING POOL & SPA CODE, APSP/ANSI/ICC-5 2011 STANDARDS FOR RESIDENTIAL INGROUND SWIMMING POOLS, and all other local building codes.
- Construction Drawing: Different methods and precautions may be dictated by various ground conditions. This is to be determined by and is the responsibility of the contractor who is not an agent of the manufacturer of the component parts.
- Depth and shape of the pool meet minimum standards of the 2018 INTERNATIONAL SWIMMING POOL & SPA CODE and the APSP/ANSI/ICC-5 2011 STANDARDS FOR RESIDENTIAL INGROUND SWIMMING POOLS.
- A means of entry & exit for the deep end & shallow end of the pool must be provided in accordance with 2018 INTERNATIONAL SWIMMING POOL & SPA CODE, section 809.
- Equipotential bonding must be provided in accordance with the NATIONAL ELECTRIC CODE, NFPA 70.
- All A-frame braces are to be contained within an 8" thick continuous poured concrete (2500 psi) perimeter collar.
- Backfill with clean earth, free of roots and debris.
- Finished bottom is to be 2" minimum of suitable material or undisturbed earth.
- 3" wide, 3" thick concrete deck is to be poured at a slope of 1/4" to 1' away from the pool. NO DIVING labels are to be installed around the perimeter of the pool.
- A safety line, with buoys, is to be permanently attached 10' to the shallow side of the point of first slope change.
- Suction entrapment avoidance to be installed in accordance with APSP/ANSI/ICC-7

23' x 42' Reverse View Mountain Lake

Perimeter	107'-6"	page 3 of 3
Surface Area	705.53 SF	
Volume	22300 gal	
Liner Sq. Ft.	753.0000 SF	

**ALL DIMENSIONS
ARE FINISH
DIMENSIONS**

** see page A5 (full steel) & A6 (Nexus) for Radius
Inside Steel Stair Filler specifications
** Coping Layouts are shown on
pages A73 (Progressive) & A100 (CP2)

A to D	47'-9 1/2"
B to C	

FROM A TO:	
W	25'-9"
X	10'-4 1/4"
Y	34'-0 1/4"
Z	32'-5"

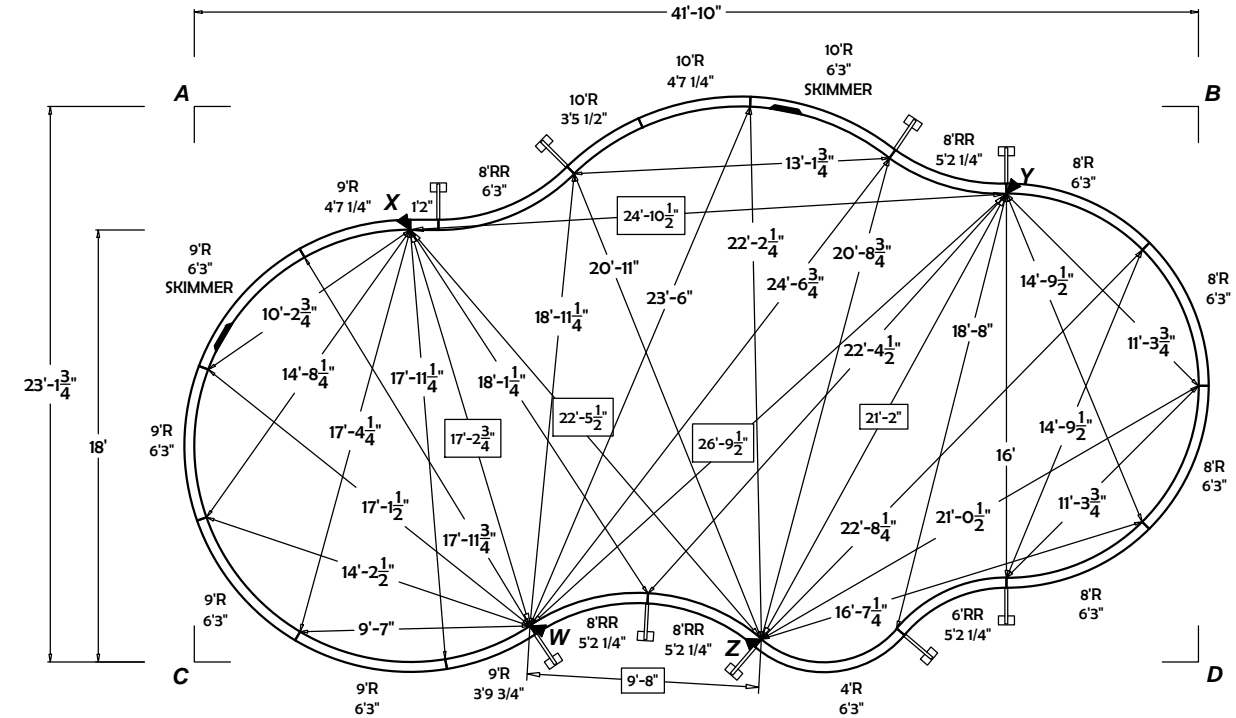
FROM B TO:	
W	35'-3 1/4"
X	33'-2 3/4"
Y	8'-9 1/2"
Z	28'-8 1/2"

FROM C TO:	
W	14'-0 3/4"
X	20'-1 1/2"
Y	39'-0 1/2"
Z	23'-7 3/4"

FROM D TO:	
W	27'-10 3/4"
X	37'-5 1/4"
Y	21'-1"
Z	18'-2 3/4"

FROM T TO:	
W	15'-3"
X	13'-6 3/4"
Y	35'-8 3/4"
Z	24'-6 1/4"

FROM U TO:	
W	30'-1"
X	32'-10 3/4"
Y	9'-9 3/4"
Z	21'-10 3/4"



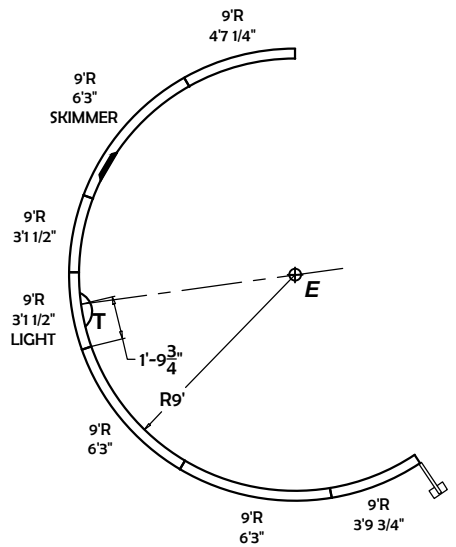
-- A-FRAME BRACE

DIVING PERMITTED ONLY FROM DESIGNATED DIVING AREA.
The bottom configuration shown conforms with current ISPSC & ANSI / APSP / ICC suggested minimum standards for pools approved for use with manufactured diving equipment.

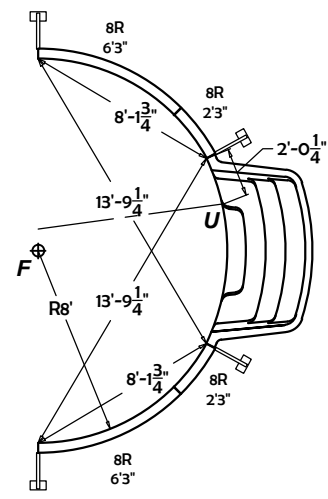
WARNING: Swimming pools can be dangerous if used improperly. Consult your dealer for information on safe use. It's the responsibility of town officials, builders and homeowners to follow safety recommendations of APSP/ANSI, local ordinances & equipment manufacturers.

- All work not specifically shown here is to be done in accordance with the requirements of the 2018 INTERNATIONAL SWIMMING POOL & SPA CODE, APSP/ANSI/ICC-5 2011 STANDARDS FOR RESIDENTIAL INGROUND SWIMMING POOLS, and all other local building codes.
- Construction Drawing: Different methods and precautions may be dictated by various ground conditions. This is to be determined by and is the responsibility of the contractor who is not an agent of the manufacturer of the component parts.
- Depth and shape of the pool meet minimum standards of the 2018 INTERNATIONAL SWIMMING POOL & SPA CODE and the APSP/ANSI/ICC-5 2011 STANDARDS FOR RESIDENTIAL INGROUND SWIMMING POOLS.
- A means of entry & exit for the deep end & shallow end of the pool must be provided in accordance with 2018 INTERNATIONAL SWIMMING POOL & SPA CODE, section 809.
- Equipotential bonding must be provided in accordance with the NATIONAL ELECTRIC CODE, NFPA 70.
- All A-frame braces are to be contained within an 8" thick continuous poured concrete (2500 psi) perimeter collar.
- Backfill with clean earth, free of roots and debris.
- Finished bottom is to be 2" minimum of suitable material or undisturbed earth.
- 3" wide, 3" thick concrete deck is to be poured at a slope of 1/4" to 1' away from the pool. NO DIVING labels are to be installed around the perimeter of the pool.
- A safety line, with buoys, is to be permanently attached 10' to the shallow side of the point of first slope change.
- Suction entrapment avoidance to be installed in accordance with APSP/ANSI/ICC-7

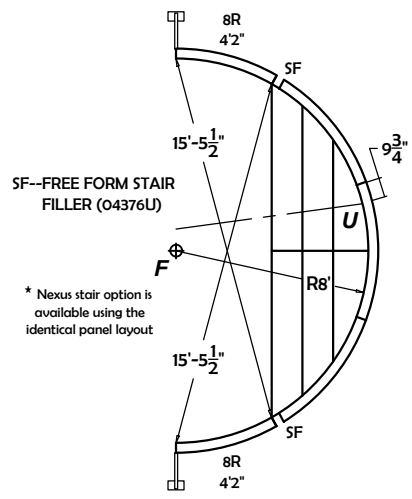
LIGHT PANEL OPTION



8' RADIUS PLASTIC STEP OPTION



8'R x 14'W STEEL STAIR OPTION



SF--FREE FORM STAIR FILLER (O4376U)
* Nexus stair option is available using the identical panel layout

26' x 40' Standard View Mountain Lake

Perimeter	107'	page 1 of 3	No Stairs	9'R x 15'W Stair	8'R Plastic Step
Surface Area	729.46 SF				
Volume	23250 gal				
Liner Sq. Ft.	801.2500 SF				

ITEM #	PART DESCRIPTION	No Stairs	9'R x 15'W Stair	8'R Plastic Step
04159	10' Radius Panel - 6'3"	3	3	3
04477	10' Radius Skimmer - 6'3"	1	1	1
04160	10' Radius Return - 6'3"	1	1	1
04445	10' Radius Panel - 5'4"	1	1	1
04170	9' Radius Panel - 6'3"	3		1
04172	9' Radius Skimmer - 6'3"	1	1	1
04176	9' Radius Return - 6'3"	1		1
04442	9' Radius Panel - 4'7 1/4"			1
04175	9' Radius Panel - 3'9 3/4"	1		
04303	9' Radius Panel - 3'6 1/2"	1		
04162	8' Radius Panel - 6'3"	1	1	1
04167	8' Radius Return - 6'3"	1	1	1
04164	8' Radius Panel - 2'3"	1	1	1
04301	10' Reverse Radius - 6'3"	1	1	1
04300	10' Reverse Radius - 5'2 1/4"	1	1	1
04165	8' Reverse Radius - 6'3"	2	2	2
----	Adjustable A-Frame	7	7	9
04032B	9'R x 15'W Steel Stair		1	
07418RSNR	8' Radius Step-n-Rest			1
PAK-75	Nut & Bolt Pak - 75 pcs			
PAK-100	Nut & Bolt Pak - 100 pcs	2	2	2
04446	10' Radius Light - 6'3"			

ALL DIMENSIONS ARE FINISH DIMENSIONS

** see page A5 (full steel) & A6 (Nexus) for Radius Inside Steel Stair Filler specifications
** Coping Layouts are shown on pages A74 (Progressive) & A101 (CP2)

FROM A TO:	
D	47'-7"
N1	40'-3"
N2	8'-7 1/2"
P	13'-2"
P1	9'-11"
Q	21'-0 1/2"
R	24'-3 1/2"
R1	28'-2"
S	34'-7 3/4"
T	17'-8 1/2"
U	39'-2 1/2"

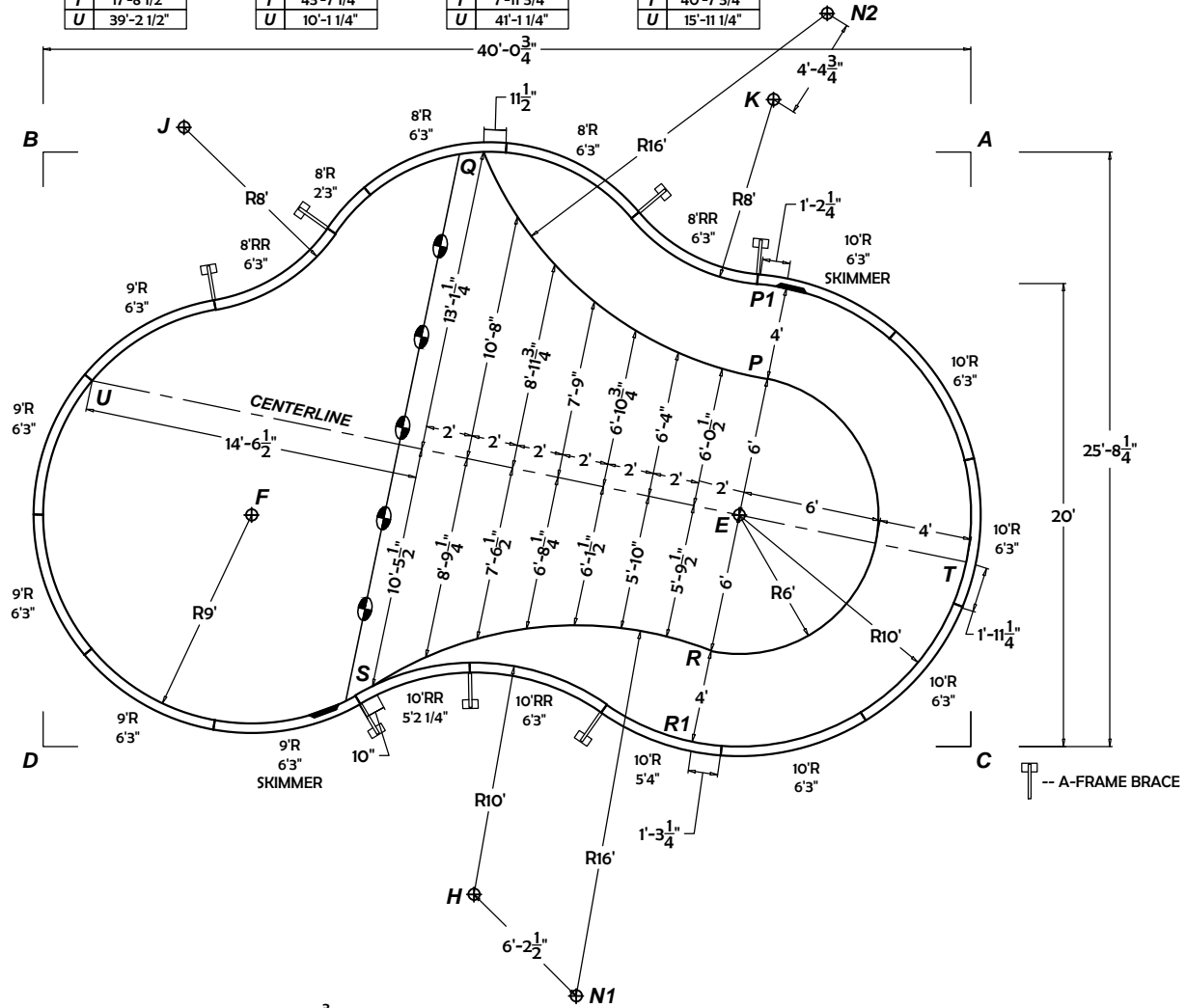
FROM B TO:	
C	47'-7"
N1	43'-1 1/4"
N2	34'-4 1/2"
P	32'-9 1/4"
P1	32'-7 1/2"
Q	19'-0 1/4"
R	36"
R1	37'-10 1/2"
S	27'-11 1/4"
T	43'-7 1/4"
U	10'-1 1/4"

FROM C TO:	
B	47'-7"
N1	20'-2"
N2	32'-3 1/4"
P	18'-1 3/4"
P1	21'-4"
Q	33'-2 1/2"
R	11'-11 1/2"
R1	12'-0 1/2"
S	25'-11 1/2"
T	7'-11 3/4"
U	41'-1 1/4"

FROM D TO:	
A	47'-7"
N1	25'-5"
N2	46'-4 1/4"
P	35'-1"
P1	37'-8 1/2"
Q	31'-11 1/2"
R	29'-11 1/2"
R1	28'-0 1/4"
S	14'-5 1/2"
T	40'-7 3/4"
U	15'-11 1/4"

FROM T TO:	
N1	25'-2 1/4"
N2	24'-5 1/4"
P	11'-8"
P1	14'-1 3/4"
Q	27'-4 1/4"
R	11'-8"
R1	14'-1 3/4"
S	26'-2 1/4"

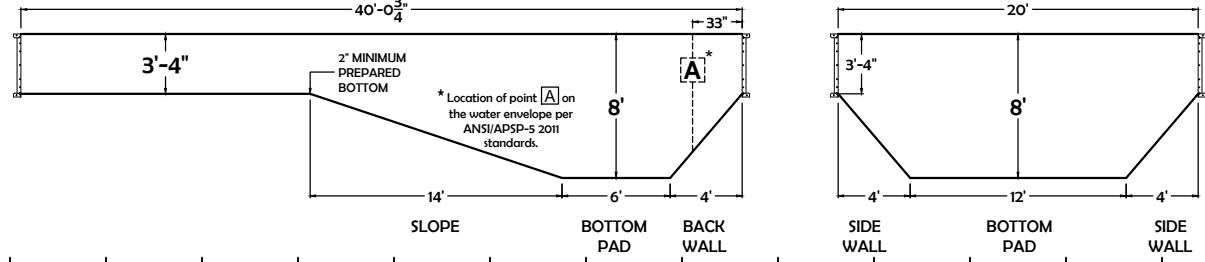
FROM U TO:	
N1	33'-9 3/4"
N2	35'-5 3/4"
P	29'-2"
P1	30'-2 3/4"
Q	19'-6 3/4"
R	29'-2"
R1	30'-2 3/4"
S	17'-11"



DIVING PERMITTED ONLY FROM DESIGNATED DIVING AREA.
The bottom configuration shown conforms with current ISPSC & ANSI / APSP / ICC suggested minimum standards for pools approved for use with manufactured diving equipment.

WARNING: Swimming pools can be dangerous if used improperly. Consult your dealer for information on safe use. It's the responsibility of town officials, builders and homeowners to follow safety recommendations of APSP/ANSI, local ordinances & equipment manufacturers.

- All work not specifically shown here is to be done in accordance with the requirements of the 2018 INTERNATIONAL SWIMMING POOL & SPA CODE, APSP/ANSI/ICC-5 2011 STANDARDS FOR RESIDENTIAL INGROUND SWIMMING POOLS, and all other local building codes.
- Construction Drawing: Different methods and precautions may be dictated by various ground conditions. This is to be determined by and is the responsibility of the contractor who is not an agent of the manufacturer of the component parts.
- Depth and shape of the pool meet minimum standards of the 2018 INTERNATIONAL SWIMMING POOL & SPA CODE and the APSP/ANSI/ICC-5 2011 STANDARDS FOR RESIDENTIAL INGROUND SWIMMING POOLS.
- A means of entry & exit for the deep end & shallow end of the pool must be provided in accordance with 2018 INTERNATIONAL SWIMMING POOL & SPA CODE, section 809.
- Equipotential bonding must be provided in accordance with the NATIONAL ELECTRIC CODE, NFPA 70.
- All A-frame braces are to be contained within an 8" thick continuous poured concrete (2500 psi) perimeter collar.
- Backfill with clean earth, free of roots and debris.
- Finished bottom is to be 2" minimum of suitable material or undisturbed earth.
- 3' wide, 3" thick concrete deck is to be poured at a slope of 1/4" to 1' away from the pool.
- NO DIVING labels are to be installed around the perimeter of the pool.
- A safety line, with buoys, is to be permanently attached 10' to the shallow side of the point of first slope change.
- Suction entrapment avoidance to be installed in accordance with APSP/ANSI/ICC-7



26' x 40' Standard View Mountain Lake

Perimeter	107'	page 2 of 3
Surface Area	729.46 SF	
Volume	23250 gal	
Liner Sq. Ft.	801.2500 SF	

ALL DIMENSIONS
ARE FINISH
DIMENSIONS

FROM A TO:	
E	18'-7 1/4"
F	34'-9 1/2"
G	22'-3 1/2"
H	38'-7"
J	34'
K	8'-9 3/4"
W	28'-7"
X	10'-10 1/4"
Y	33'-3 3/4"
Z	35'-5 1/2"

FROM B TO:	
E	33'-10 3/4"
F	18'-1"
G	20'-10 1/4"
H	37'-1"
J	6'-2"
K	31'-7 1/2"
W	34'-1"
X	31'-4 1/4"
Y	10'-1 1/4"
Z	27'-1"

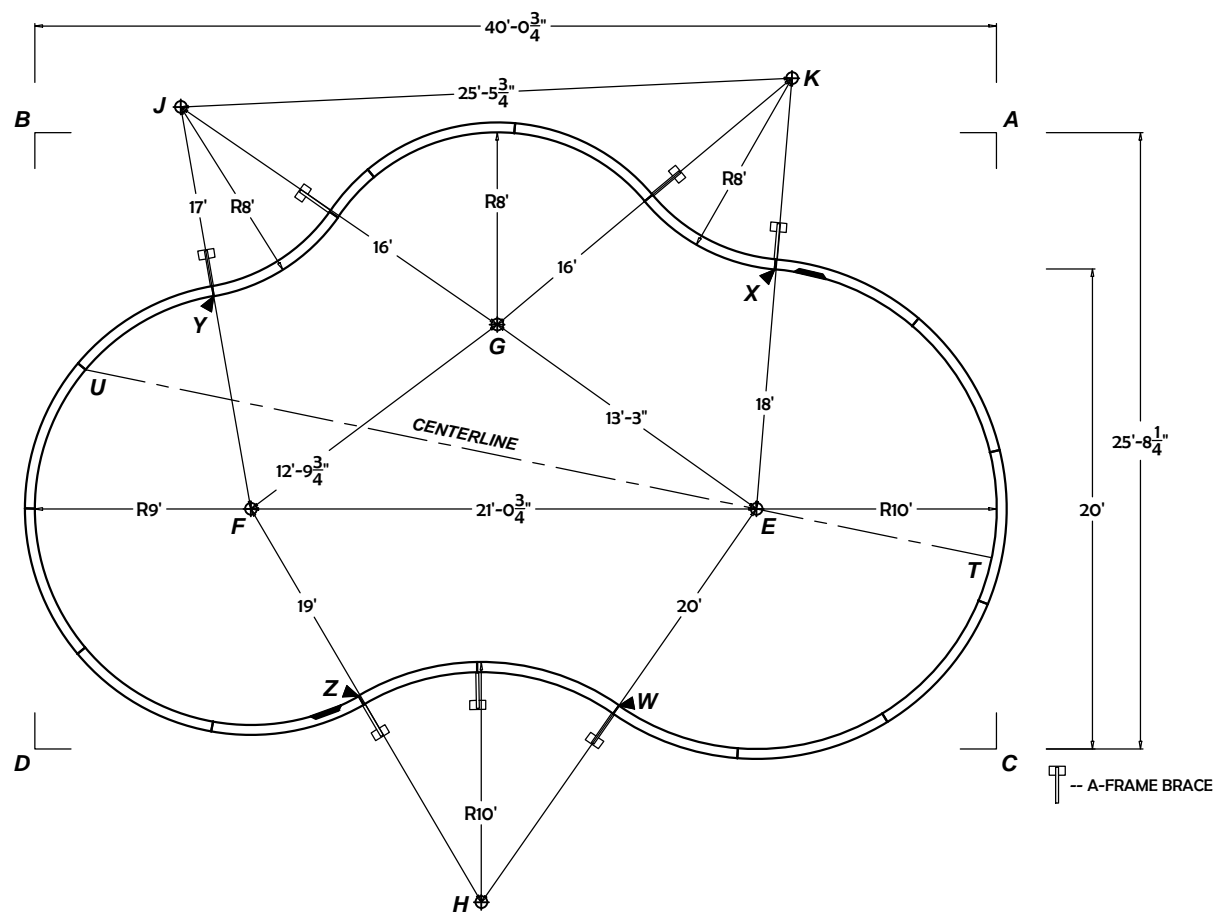
FROM C TO:	
E	14'-1 3/4"
F	32'-7 1/2"
G	27'-3 1/2"
H	22'-4 3/4"
J	43'-3"
K	29'-2 1/2"
W	15'-10"
X	22'
Y	37'-8"
Z	26'-8"

FROM D TO:	
E	31'-8 1/4"
F	13'-5 1/2"
G	26'-1 3/4"
H	19'-8"
J	27'-5 1/4"
K	42'-1 1/2"
W	24'-4 3/4"
X	36'-8 3/4"
Y	20'-3 1/2"
Z	13'-8"

FROM T TO:	
E	10'
F	30'-11"
G	22'-9 1/4"
H	25'-7 3/4"
J	38'-7 3/4"
K	21'-7 1/2"
W	16'-8 1/2"
X	15'-0 1/4"
Y	34'-2 1/4"
Z	26'-11 3/4"

FROM U TO:	
E	28'-6 1/2"
F	9'
G	17'-3"
H	27'-7 3/4"
J	11'-7 3/4"
K	31'-10"
W	26'-3"
X	29'
Y	6'-2"
Z	17'-8 3/4"

A to D	47'-7"
B to C	



DIVING PERMITTED ONLY FROM DESIGNATED DIVING AREA.
The bottom configuration shown conforms with current ISPSC & ANSI / APSP / ICC suggested minimum standards for pools approved for use with manufactured diving equipment.

WARNING: Swimming pools can be dangerous if used improperly. Consult your dealer for information on safe use. It's the responsibility of town officials, builders and homeowners to follow safety recommendations of APSP/ANSI, local ordinances & equipment manufacturers.

- All work not specifically shown here is to be done in accordance with the requirements of the 2018 INTERNATIONAL SWIMMING POOL & SPA CODE, APSP/ANSI/ICC-5 2011 STANDARDS FOR RESIDENTIAL INGROUND SWIMMING POOLS, and all other local building codes.
- Construction Drawing: Different methods and precautions may be dictated by various ground conditions. This is to be determined by and is the responsibility of the contractor who is not an agent of the manufacturer of the component parts.
- Depth and shape of the pool meet minimum standards of the 2018 INTERNATIONAL SWIMMING POOL & SPA CODE and the APSP/ANSI/ICC-5 2011 STANDARDS FOR RESIDENTIAL INGROUND SWIMMING POOLS.
- A means of entry & exit for the deep end & shallow end of the pool must be provided in accordance with 2018 INTERNATIONAL SWIMMING POOL & SPA CODE, section 809.
- Equipotential bonding must be provided in accordance with the NATIONAL ELECTRIC CODE, NFPA 70.
- All A-frame braces are to be contained within an 8" thick continuous poured concrete (2500 psi) perimeter collar.
- Backfill with clean earth, free of roots and debris.
- Finished bottom is to be 2" minimum of suitable material or undisturbed earth.
- 3" wide, 3" thick concrete deck is to be poured at a slope of 1/4" to 1' away from the pool. NO DIVING labels are to be installed around the perimeter of the pool.
- A safety line, with buoys, is to be permanently attached 10' to the shallow side of the point of first slope change.
- Suction entrapment avoidance to be installed in accordance with APSP/ANSI/ICC-7

26' x 40' Standard View Mountain Lake

Perimeter	107'	page 3 of 3
Surface Area	729.46 SF	
Volume	23250 gal	
Liner Sq. Ft.	801.2500 SF	

**ALL DIMENSIONS
ARE FINISH
DIMENSIONS**

** see page A5 (full steel) & A6 (Nexus) for Radius Inside Steel Stair Filler specifications

** Coping Layouts are shown on pages A74 (Progressive) & A101 (CP2)

A to D	47'-7"
B to C	

FROM A TO:	
W	28'-7"
X	10'-10 1/4"
Y	33'-3 3/4"
Z	35'-5 1/2"

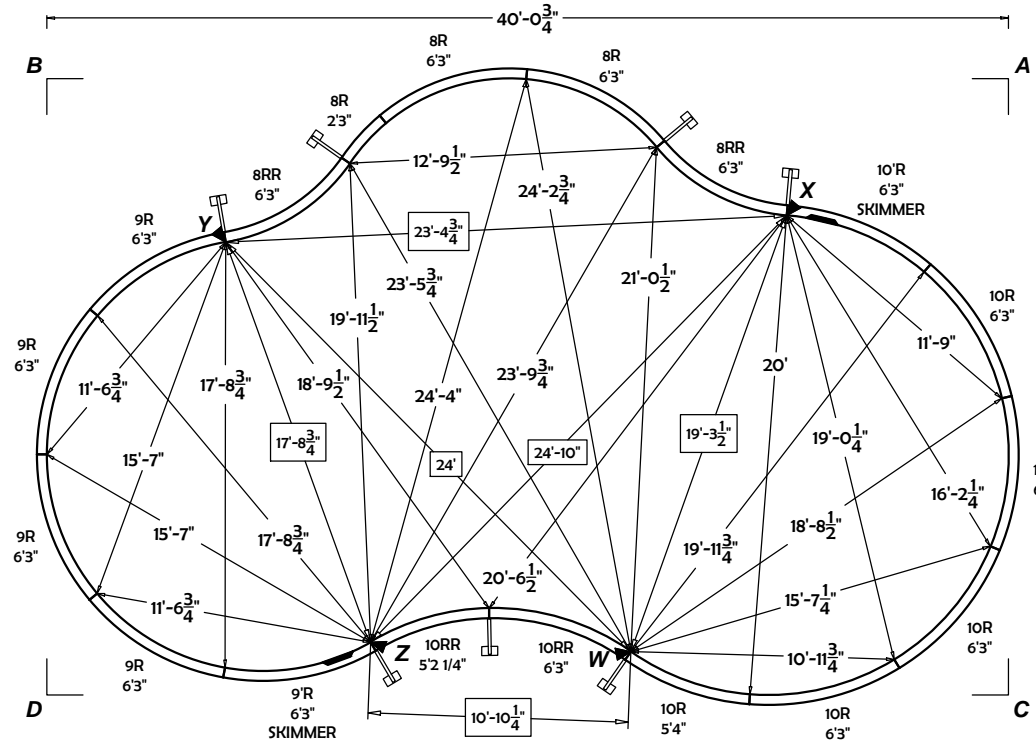
FROM B TO:	
W	34'-1"
X	31'-4 1/4"
Y	10'-1 1/4"
Z	27'-1"

FROM C TO:	
W	15'-10"
X	22'
Y	37'-8"
Z	26'-8"

FROM D TO:	
W	24'-4 3/4"
X	36'-8 3/4"
Y	20'-3 1/2"
Z	13'-8"

FROM T TO:	
W	16'-8 1/2"
X	15'-0 1/4"
Y	34'-2 1/4"
Z	26'-11 3/4"

FROM U TO:	
W	26'-3"
X	29'
Y	6'-2"
Z	17'-8 3/4"

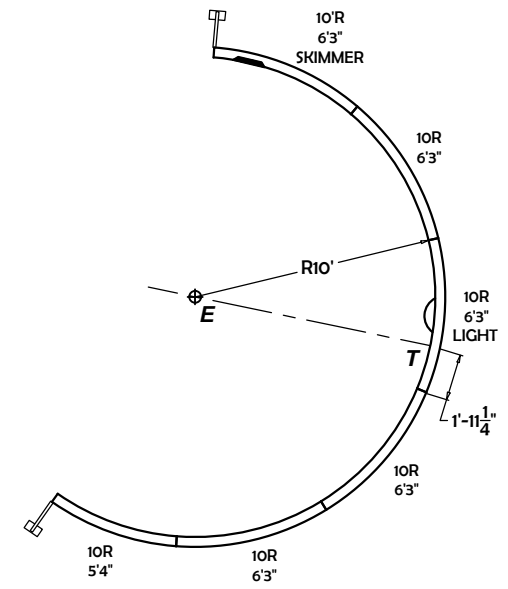
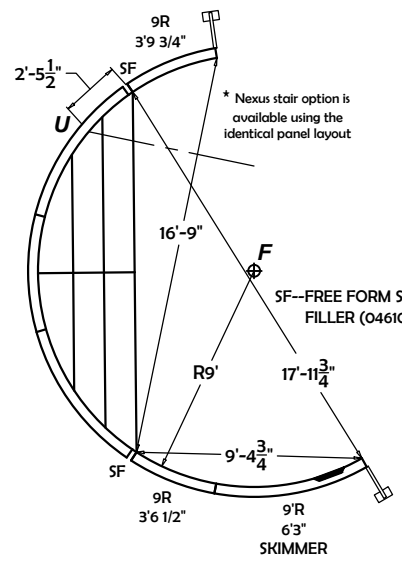
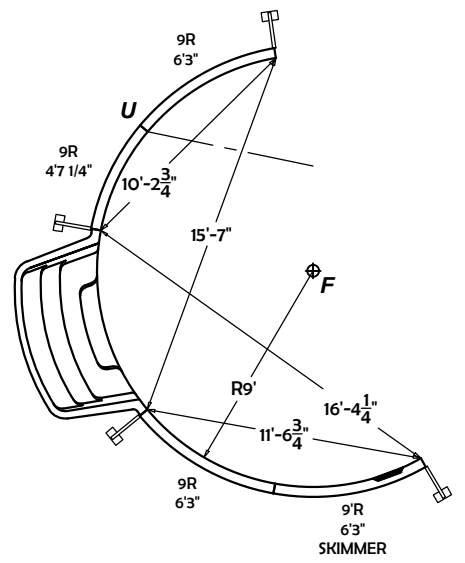


-- A-FRAME BRACE

8" RADIUS PLASTIC STEP OPTION

9R x 15'W STEEL STAIR OPTION

LIGHT PANEL OPTION



DIVING PERMITTED ONLY FROM DESIGNATED DIVING AREA.
The bottom configuration shown conforms with current ISPSC & ANSI / APSP / ICC suggested minimum standards for pools approved for use with manufactured diving equipment.

WARNING: Swimming pools can be dangerous if used improperly. Consult your dealer for information on safe use. It's the responsibility of town officials, builders and homeowners to follow safety recommendations of APSP/ANSI, local ordinances & equipment manufacturers.

- All work not specifically shown here is to be done in accordance with the requirements of the 2018 INTERNATIONAL SWIMMING POOL & SPA CODE, APSP/ANSI/ICC-5 2011 STANDARDS FOR RESIDENTIAL INGROUND SWIMMING POOLS, and all other local building codes.
- Construction Drawing: Different methods and precautions may be dictated by various ground conditions. This is to be determined by and is the responsibility of the contractor who is not an agent of the manufacturer of the component parts.
- Depth and shape of the pool meet minimum standards of the 2018 INTERNATIONAL SWIMMING POOL & SPA CODE and the APSP/ANSI/ICC-5 2011 STANDARDS FOR RESIDENTIAL INGROUND SWIMMING POOLS.
- A means of entry & exit for the deep end & shallow end of the pool must be provided in accordance with 2018 INTERNATIONAL SWIMMING POOL & SPA CODE, section 809.
- Equipotential bonding must be provided in accordance with the NATIONAL ELECTRIC CODE, NFPA 70.
- All A-frame braces are to be contained within an 8" thick continuous poured concrete (2500 psi) perimeter collar.
- Backfill with clean earth, free of roots and debris.
- Finished bottom is to be 2" minimum of suitable material or undisturbed earth.
- 3" wide, 3" thick concrete deck is to be poured at a slope of 1/8" to 1' away from the pool.
- NO DIVING labels are to be installed around the perimeter of the pool.
- A safety line, with buoys, is to be permanently attached 10' to the shallow side of the point of first slope change.
- Suction entrapment avoidance to be installed in accordance with APSP/ANSI/ICC-7

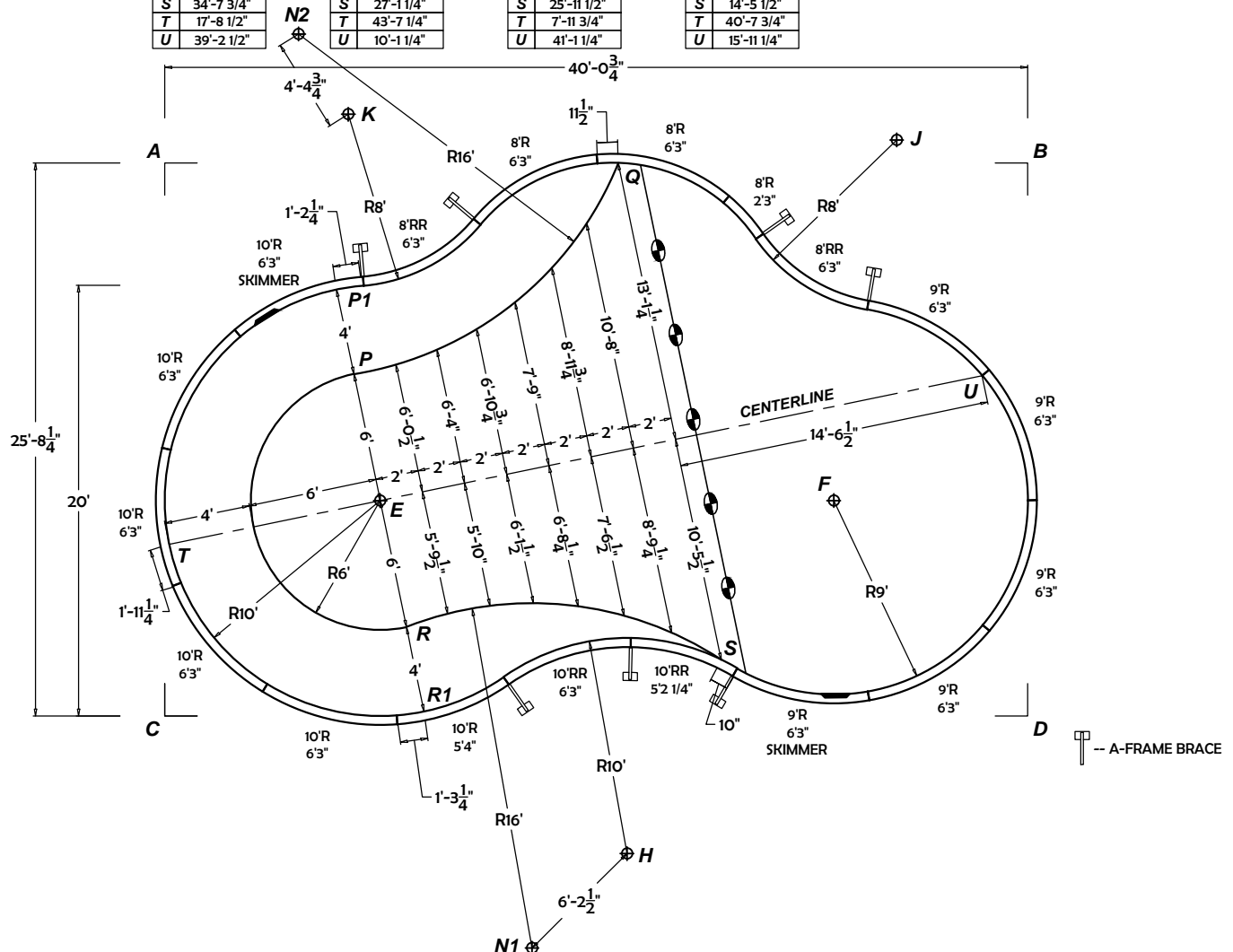
26' x 40' Reverse View Mountain Lake

Perimeter	107'	page 1 of 3	No Stairs	9'R x 15'W Stair	8'R Plastic Step
Surface Area	729.46 SF				
Volume	23250 gal				
Liner Sq. Ft.	801.2500 SF				
ITEM #	PART DESCRIPTION				
04159	10' Radius Panel - 6'3"	3	3	3	
04477	10' Radius Skimmer - 6'3"	1	1	1	
04160	10' Radius Return - 6'3"	1	1	1	
04445	10' Radius Panel - 5'4"	1	1	1	
04170	9' Radius Panel - 6'3"	3		1	
04172	9' Radius Skimmer - 6'3"	1	1	1	
04176	9' Radius Return - 6'3"	1		1	
04442	9' Radius Panel - 4'7 1/4"			1	
04175	9' Radius Panel - 3'9 3/4"	1			
04303	9' Radius Panel - 3'6 1/2"	1			
04162	8' Radius Panel - 6'3"	1	1	1	
04167	8' Radius Return - 6'3"	1	1	1	
04164	8' Radius Panel - 2'3"	1	1	1	
04301	10' Reverse Radius - 6'3"	1	1	1	
04300	10' Reverse Radius - 5'2 1/4"	1	1	1	
04165	8' Reverse Radius - 6'3"	2	2	2	
----	Adjustable A-Frame	7	7	9	
04032B	9'R x 15'W Steel Stair		1		
07418RSNR	8' Radius Step-n-Rest			1	
PAK-75	Nut & Bolt Pak - 75 pcs				
PAK-100	Nut & Bolt Pak - 100 pcs	2	2	2	
04446	10' Radius Light - 6'3"				

ALL DIMENSIONS ARE FINISH DIMENSIONS

** see page A5 (full steel) & A6 (Nexus) for Radius Inside Steel Stair Filler specifications
** Coping Layouts are shown on pages A74 (Progressive) & A101 (CP2)

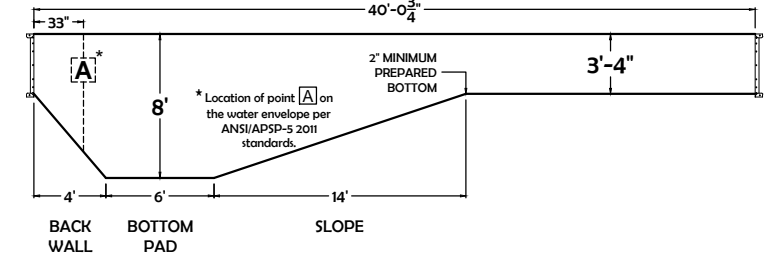
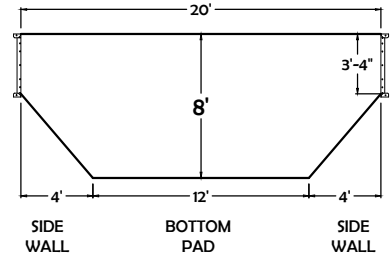
FROM A TO:	FROM B TO:	FROM C TO:	FROM D TO:	FROM T TO:	FROM U TO:
D 47'-7"	C 47'-7"	B 47'-7"	A 47'-7"	N1 25'-2 1/4"	N1 33'-9 3/4"
N1 40'-3"	N1 43'-1 1/4"	N1 20'-2"	N1 25'-5"	N2 24'-5 1/4"	N2 35'-5 3/4"
N2 8'-7 1/2"	N2 34'-4 1/2"	N2 32'-3 1/4"	N2 46'-4 1/4"	P 11'-8"	P 29'-2"
P 13'-2"	P 32'-9 1/4"	P 18'-1 3/4"	P 35'-1"	P1 14'-1 3/4"	P1 30'-2 3/4"
P1 9'-11"	P1 32'-7 1/2"	P1 21'-4"	P1 37'-8 1/2"	Q 27'-4 1/4"	Q 19'-6 3/4"
Q 21'-0 1/2"	Q 19'-0 1/4"	Q 33'-2 1/2"	Q 31'-11 1/2"	R 11'-8"	R 29'-2"
R 24'-3 1/2"	R 36"	R 11'-11 1/2"	R 29'-1 1/2"	R1 14'-1 3/4"	R1 30'-2 3/4"
R1 28'-2"	R1 37'-10 1/2"	R1 12'-0 1/2"	R1 28'-0 1/4"	S 14'-5 1/2"	S 17'-11"
S 34'-7 3/4"	S 27'-1 1/4"	S 25'-11 1/2"	S 14'-5 1/2"	T 40'-7 3/4"	
T 17'-8 1/2"	T 43'-7 1/4"	T 7'-11 3/4"	T 40'-7 3/4"	U 15'-11 1/4"	
U 39'-2 1/2"	U 10'-1 1/4"	U 41'-1 1/4"	U 15'-11 1/4"		



DIVING PERMITTED ONLY FROM DESIGNATED DIVING AREA.
The bottom configuration shown conforms with current ISPCS & ANSI / APSP / ICC suggested minimum standards for pools approved for use with manufactured diving equipment.

WARNING: Swimming pools can be dangerous if used improperly. Consult your dealer for information on safe use. It's the responsibility of town officials, builders and homeowners to follow safety recommendations of APSP/ANSI, local ordinances & equipment manufacturers.

- All work not specifically shown here is to be done in accordance with the requirements of the 2018 INTERNATIONAL SWIMMING POOL & SPA CODE, APSP/ANSI/ICC-5 2011 STANDARDS FOR RESIDENTIAL INGROUND SWIMMING POOLS, and all other local building codes.
- Construction Drawing: Different methods and precautions may be dictated by various ground conditions. This is to be determined by and is the responsibility of the contractor who is not an agent of the manufacturer of the component parts.
- Depth and shape of the pool meet minimum standards of the 2018 INTERNATIONAL SWIMMING POOL & SPA CODE and the APSP/ANSI/ICC-5 2011 STANDARDS FOR RESIDENTIAL INGROUND SWIMMING POOLS.
- A means of entry & exit for the deep end & shallow end of the pool must be provided in accordance with 2018 INTERNATIONAL SWIMMING POOL & SPA CODE, section 809.
- Equipotential bonding must be provided in accordance with the NATIONAL ELECTRIC CODE, NFPA 70.
- All A-frame braces are to be contained within an 8" thick continuous poured concrete (2500 psi) perimeter collar.
- Backfill with clean earth, free of roots and debris.
- Finished bottom is to be 2" minimum of suitable material or undisturbed earth.
- 3" wide, 3" thick concrete deck is to be poured at a slope of 1/8" to 1" away from the pool.
- NO DIVING labels are to be installed around the perimeter of the pool.
- A safety line, with buoys, is to be permanently attached 10' to the shallow side of the point of first slope change.
- Suction entrapment avoidance to be installed in accordance with APSP/ANSI/ICC-7



26' x 40' Reverse View Mountain Lake

Perimeter	107'	page 2 of 3
Surface Area	729.46 SF	
Volume	23250 gal	
Liner Sq. Ft.	801.2500 SF	

ALL DIMENSIONS
ARE FINISH
DIMENSIONS

FROM A TO:	
E	18'-7 1/4"
F	34'-9 1/2"
G	22'-3 1/2"
H	38'-7"
J	34'
K	8'-9 3/4"
W	28'-7"
X	10'-10 1/4"
Y	33'-3 3/4"
Z	35'-5 1/2"

FROM B TO:	
E	33'-10 3/4"
F	18'-1"
G	20'-10 1/4"
H	37'-1"
J	6'-2"
K	31'-7 1/2"
W	34'-1"
X	31'-4 1/4"
Y	10'-1 1/4"
Z	27'-1"

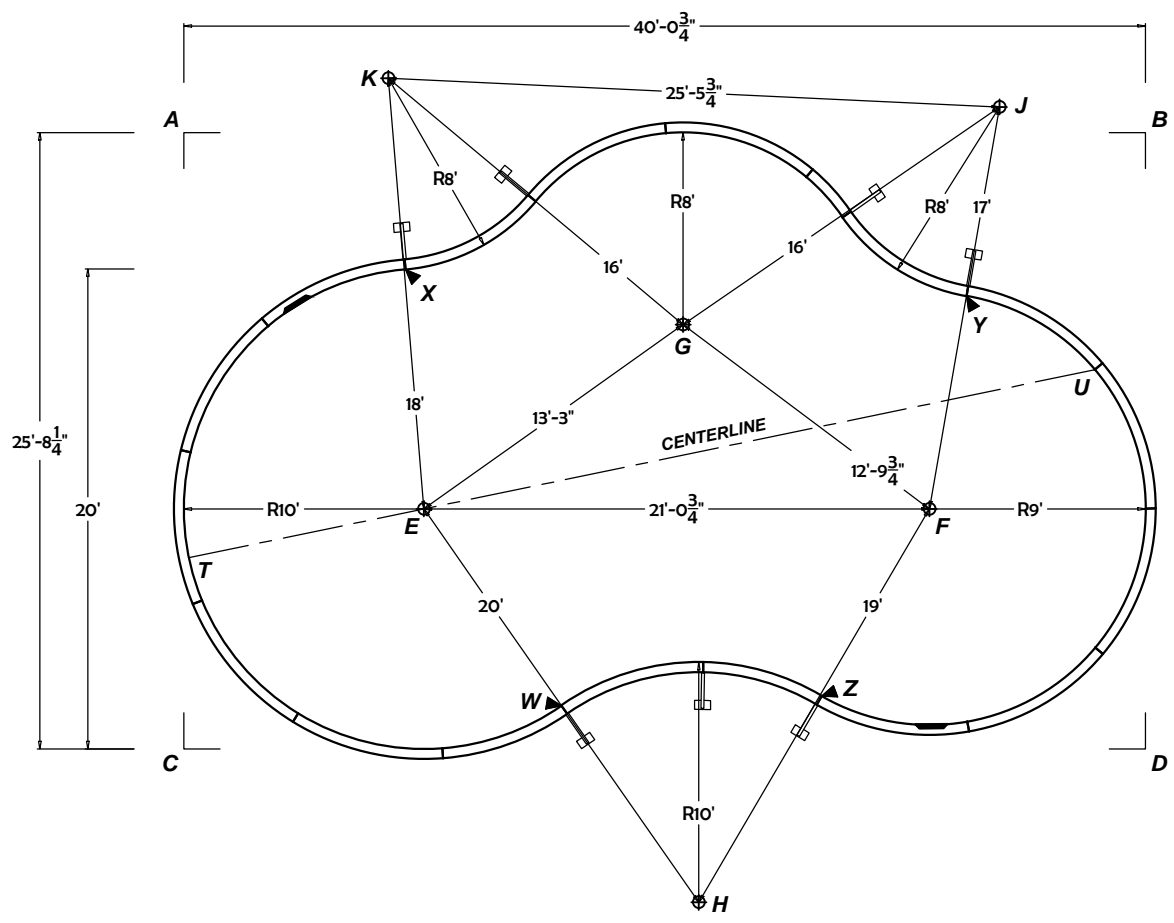
FROM C TO:	
E	14'-1 3/4"
F	32'-7 1/2"
G	27'-3 1/2"
H	22'-4 3/4"
J	43'-3"
K	29'-2 1/2"
W	15'-10"
X	22'
Y	37'-8"
Z	26'-8"

FROM D TO:	
E	31'-8 1/4"
F	13'-5 1/2"
G	26'-1 3/4"
H	19'-8"
J	27'-5 1/4"
K	42'-1 1/2"
W	24'-4 3/4"
X	36'-8 3/4"
Y	20'-3 1/2"
Z	13'-8"

FROM T TO:	
E	10'
F	30'-11"
G	22'-9 1/4"
H	25'-7 3/4"
J	38'-7 3/4"
K	21'-7 1/2"
W	16'-8 1/2"
X	15'-0 1/4"
Y	34'-2 1/4"
Z	26'-11 3/4"

FROM U TO:	
E	28'-6 1/2"
F	9'
G	17'-3"
H	27'-7 3/4"
J	11'-7 3/4"
K	31'-10"
W	26'-3"
X	29'
Y	6'-2"
Z	17'-8 3/4"

A to D	47'-7"
B to C	



DIVING PERMITTED ONLY FROM DESIGNATED DIVING AREA.
The bottom configuration shown conforms with current ISPSC & ANSI / APSP / ICC suggested minimum standards for pools approved for use with manufactured diving equipment.

WARNING: Swimming pools can be dangerous if used improperly. Consult your dealer for information on safe use. It's the responsibility of town officials, builders and homeowners to follow safety recommendations of APSP/ANSI, local ordinances & equipment manufacturers.

- All work not specifically shown here is to be done in accordance with the requirements of the 2018 INTERNATIONAL SWIMMING POOL & SPA CODE, APSP/ANSI/ICC-5 2011 STANDARDS FOR RESIDENTIAL INGROUND SWIMMING POOLS, and all other local building codes.
- Construction Drawing: Different methods and precautions may be dictated by various ground conditions. This is to be determined by and is the responsibility of the contractor who is not an agent of the manufacturer of the component parts.
- Depth and shape of the pool meet minimum standards of the 2018 INTERNATIONAL SWIMMING POOL & SPA CODE and the APSP/ANSI/ICC-5 2011 STANDARDS FOR RESIDENTIAL INGROUND SWIMMING POOLS.
- A means of entry & exit for the deep end & shallow end of the pool must be provided in accordance with 2018 INTERNATIONAL SWIMMING POOL & SPA CODE, section 809.
- Equipotential bonding must be provided in accordance with the NATIONAL ELECTRIC CODE, NFPA 70.
- All A-frame braces are to be contained within an 8" thick continuous poured concrete (2500 psi) perimeter collar.
- Backfill with clean earth, free of roots and debris.
- Finished bottom is to be 2" minimum of suitable material or undisturbed earth.
- 3" wide, 3" thick concrete deck is to be poured at a slope of 1/4" to 1' away from the pool.
- NO DIVING labels are to be installed around the perimeter of the pool.
- A safety line, with buoys, is to be permanently attached 10' to the shallow side of the point of first slope change.
- Suction entrapment avoidance to be installed in accordance with APSP/ANSI/ICC-7

26' x 40' Reverse View Mountain Lake

Perimeter	107'	page 3 of 3
Surface Area	729.46 SF	
Volume	23250 gal	
Liner Sq. Ft.	801.2500 SF	

**ALL DIMENSIONS
ARE FINISH
DIMENSIONS**

** see page A5 (full steel) & A6 (Nexus) for Radius Inside Steel Stair Filler specifications

** Coping Layouts are shown on pages A74 (Progressive) & A101 (CP2)



A to D	47'-7"
B to C	

FROM A TO:	
W	28'-7"
X	10'-10 1/4"
Y	33'-3 3/4"
Z	35'-5 1/2"

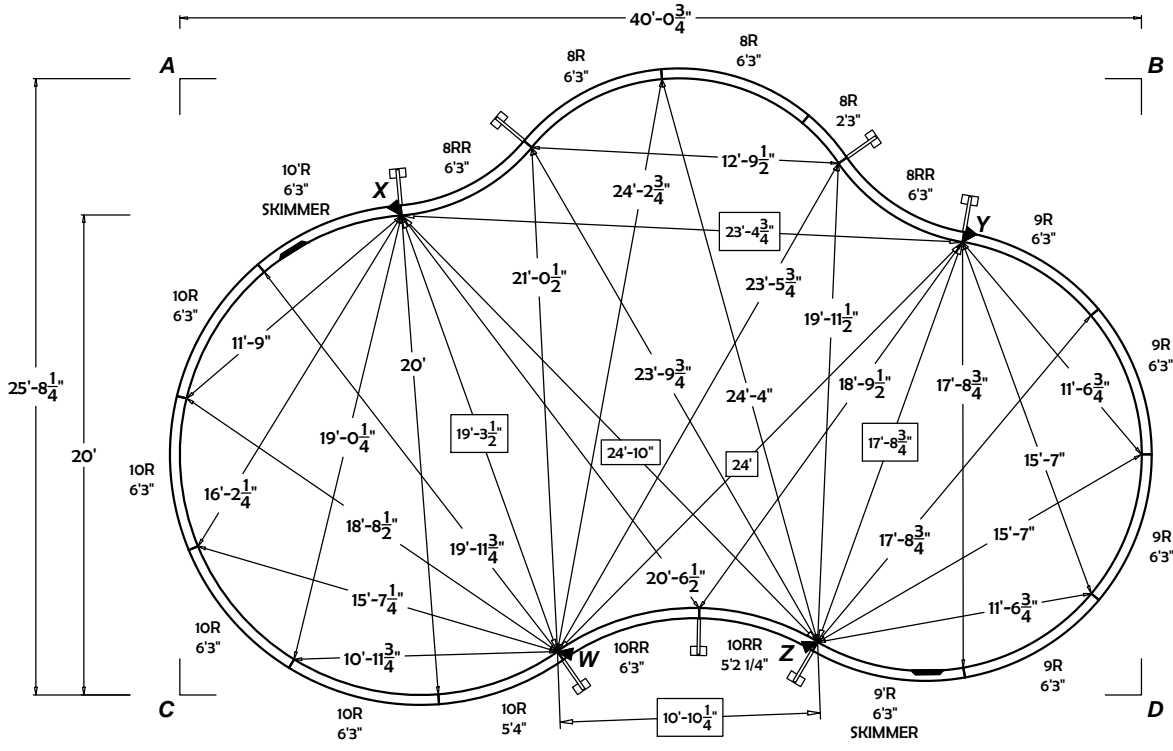
FROM B TO:	
W	34'-1"
X	31'-4 1/4"
Y	10'-1 1/4"
Z	27'-1"

FROM C TO:	
W	15'-10"
X	22'
Y	37'-8"
Z	26'-8"

FROM D TO:	
W	24'-4 3/4"
X	36'-8 3/4"
Y	20'-3 1/2"
Z	13'-8"

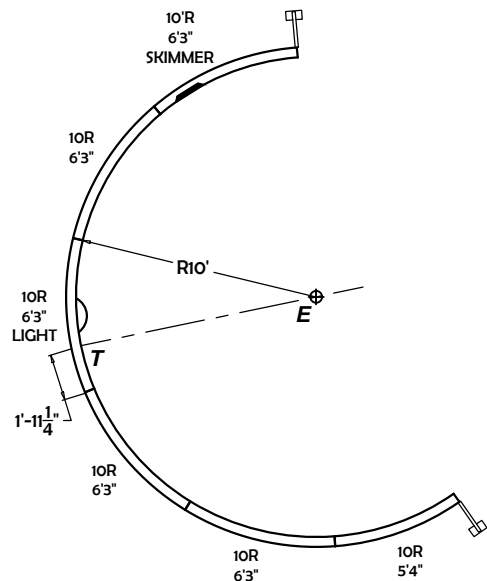
FROM T TO:	
W	16'-8 1/2"
X	15'-0 1/4"
Y	34'-2 1/4"
Z	26'-11 3/4"

FROM U TO:	
W	26'-3"
X	29'
Y	6'-2"
Z	17'-8 3/4"

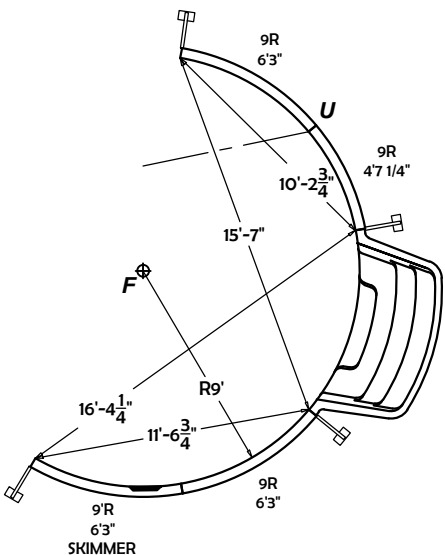


-- A-FRAME BRACE

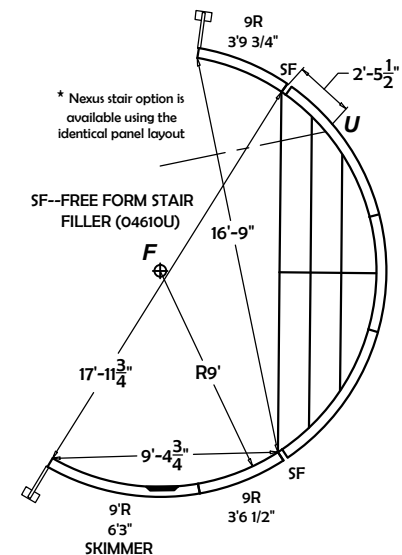
LIGHT PANEL OPTION



8' RADIUS PLASTIC STEP OPTION



9'R x 15'W STEEL STAIR OPTION



DIVING PERMITTED ONLY FROM DESIGNATED DIVING AREA.
The bottom configuration shown conforms with current ISPSC & ANSI / APSP / ICC suggested minimum standards for pools approved for use with manufactured diving equipment.

WARNING: Swimming pools can be dangerous if used improperly. Consult your dealer for information on safe use. It's the responsibility of town officials, builders and homeowners to follow safety recommendations of APSP/ANSI, local ordinances & equipment manufacturers.

- All work not specifically shown here is to be done in accordance with the requirements of the 2018 INTERNATIONAL SWIMMING POOL & SPA CODE, APSP/ANSI/ICC-5 2011 STANDARDS FOR RESIDENTIAL INGROUND SWIMMING POOLS, and all other local building codes.
- Construction Drawing: Different methods and precautions may be dictated by various ground conditions. This is to be determined by and is the responsibility of the contractor who is not an agent of the manufacturer of the component parts.
- Depth and shape of the pool meet minimum standards of the 2018 INTERNATIONAL SWIMMING POOL & SPA CODE and the APSP/ANSI/ICC-5 2011 STANDARDS FOR RESIDENTIAL INGROUND SWIMMING POOLS.
- A means of entry & exit for the deep end & shallow end of the pool must be provided in accordance with 2018 INTERNATIONAL SWIMMING POOL & SPA CODE, section 809.
- Equipotential bonding must be provided in accordance with the NATIONAL ELECTRIC CODE, NFPA 70.
- All A-frame braces are to be contained within an 8" thick continuous poured concrete (2500 psi) perimeter collar.
- Backfill with clean earth, free of roots and debris.
- Finished bottom is to be 2" minimum of suitable material or undisturbed earth.
- 3" wide, 3" thick concrete deck is to be poured at a slope of 1/8" to 1' away from the pool.
- NO DIVING labels are to be installed around the perimeter of the pool.
- A safety line, with buoys, is to be permanently attached 10' to the shallow side of the point of first slope change.
- Suction entrapment avoidance to be installed in accordance with APSP/ANSI/ICC-7

24' x 44' Standard View Mountain Lake

Perimeter	113'-10"	page	
Surface Area	735.00 SF	1 of 3	
Volume	24200 gal		
Liner Sq. Ft.	885.8333 SF		

ITEM #	PART DESCRIPTION	No. Stairs	6'R x 12'W Stair	8'R Plastic Step
04159	10' Radius Panel - 6'3"	4	4	4
04477	10' Radius Skimmer - 6'3"	1	1	1
04162	8' Radius Panel - 6'3"	1	1	1
04167	8' Radius Return - 6'3"	2	2	2
04437	6' Radius Panel - 6'3"	2		
04439	6' Radius Return - 6'3"	1		
04485	6' Radius Panel - 5'3"			1
04486	6' Radius Return - 5'3"			1
04474	6' Radius Panel - 1'11"		2	
04129	4' Radius Panel - 6'3"	1	1	1
04165	8' Reverse Radius - 6'3"	5	5	5
04484	4'6" Skimmer Panel	1	1	1
04480	2'6" Plain Panel	1	1	1
----	Adjustable A-Frame	12	12	14
04021B	6'R x 12'W Steel Stair		1	
07418RSNR	8' Radius Step-n-Rest			1
PAK-75	Nut & Bolt Pak - 75 pcs	3	3	3
PAK-100	Nut & Bolt Pak - 100 pcs			
04446	10' Radius Light - 6'3"			

ALL DIMENSIONS ARE FINISH DIMENSIONS

** see page A5 (full steel) & A6 (Nexus) for Radius Inside Steel Stair Filler specifications
 ** Coping Layouts are shown on pages A73 (Progressive) & A100 (CP2)

FROM A TO:

D	50'-8"
N1	35'-10"
N2	11'-6 1/4"
P	13'-2 3/4"
P1	10'-4 1/2"
Q	22'-6"
R	24'-2 1/4"
R1	27'-3 3/4"
S	38'-4 1/2"
T	17'-10 1/4"
U	34'-5 1/4"

FROM B TO:

C	50'-8"
N1	37'-11"
N2	36'-4 1/4"
P	34'-9 3/4"
P1	35'-4"
Q	21'-9 1/2"
R	35'-9 1/2"
R1	36'-8 3/4"
S	27'-2 3/4"
T	47'-3"
U	12'-4 1/2"

FROM C TO:

B	50'-8"
N1	20'-11 1/2"
N2	33'-3 3/4"
P	19'-6 1/4"
P1	22'-0 1/4"
Q	33'-3 1/2"
R	15'-2 1/4"
R1	15'-5 1/2"
S	30'-5"
T	6'-9 3/4"
U	38'-4"

FROM D TO:

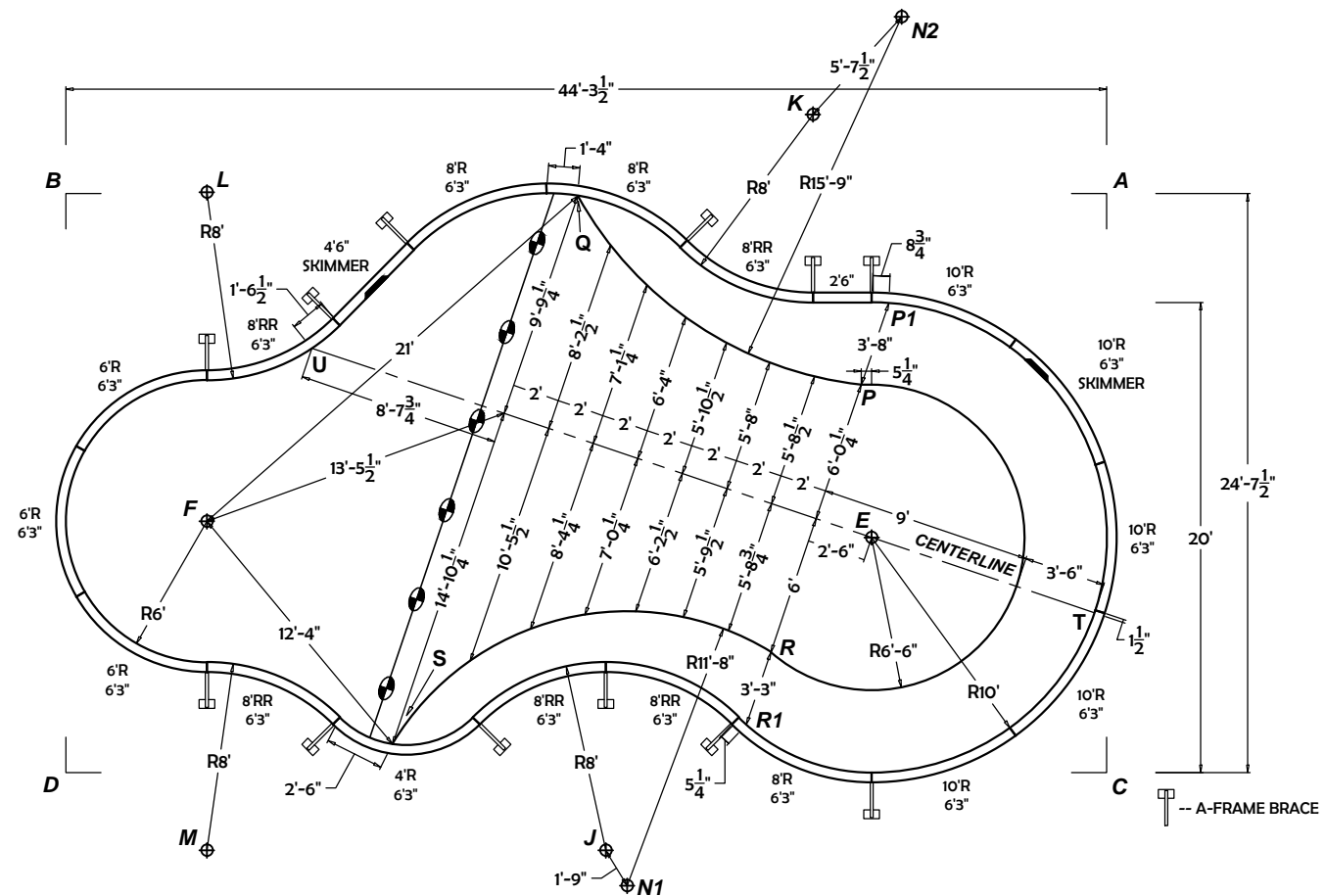
A	50'-8"
N1	24'-4 1/4"
N2	47'-11 1/4"
P	37'-7 3/4"
P1	40'-3 3/4"
Q	32'-9 3/4"
R	30'-5 1/4"
R1	29'-0 1/4"
S	13'-11 1/2"
T	44'-3 1/2"
U	20'-10 1/2"

FROM T TO:

N1	23'-0 1/4"
N2	26'-7 3/4"
P	13'-10 1/2"
P1	15'-9 3/4"
Q	28'-3"
R	13'-10 1/2"
R1	15'-6 1/2"
S	30'-4 1/2"

FROM U TO:

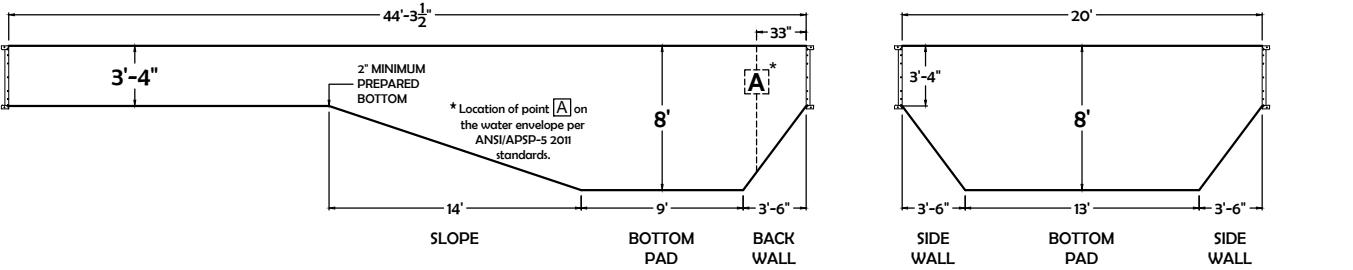
N1	26'-6 1/4"
N2	28'-9 1/2"
P	23'-5"
P1	24'-7 1/2"
Q	13'-0 1/2"
R	23'-5"
R1	24'-5 1/2"
S	17'-2 1/4"



DIVING PERMITTED ONLY FROM DESIGNATED DIVING AREA.
 The bottom configuration shown conforms with current ISPSC & ANSI / APSP / ICC suggested minimum standards for pools approved for use with manufactured diving equipment.

WARNING: Swimming pools can be dangerous if used improperly. Consult your dealer for information on safe use. It's the responsibility of town officials, builders and homeowners to follow safety recommendations of APSP/ANSI, local ordinances & equipment manufacturers.

- All work not specifically shown here is to be done in accordance with the requirements of the 2018 INTERNATIONAL SWIMMING POOL & SPA CODE, APSP/ANSI/ICC-5 2011 STANDARDS FOR RESIDENTIAL INGROUND SWIMMING POOLS, and all other local building codes.
- Construction Drawing: Different methods and precautions may be dictated by various ground conditions. This is to be determined by and is the responsibility of the contractor who is not an agent of the manufacturer of the component parts.
- Depth and shape of the pool meet minimum standards of the 2018 INTERNATIONAL SWIMMING POOL & SPA CODE and the APSP/ANSI/ICC-5 2011 STANDARDS FOR RESIDENTIAL INGROUND SWIMMING POOLS.
- A means of entry & exit for the deep end & shallow end of the pool must be provided in accordance with 2018 INTERNATIONAL SWIMMING POOL & SPA CODE, section 809.
- Equipotential bonding must be provided in accordance with the NATIONAL ELECTRIC CODE, NFPA 70.
- All A-frame braces are to be contained within an 8" thick continuous poured concrete (2500 psi) perimeter collar.
- Backfill with clean earth, free of roots and debris.
- Finished bottom is to be 2" minimum of suitable material or undisturbed earth.
- 3' wide, 3" thick concrete deck is to be poured at a slope of 1/4" to 1' away from the pool.
- NO DIVING labels are to be installed around the perimeter of the pool.
- A safety line, with buoys, is to be permanently attached 10' to the shallow side of the point of first slope change.
- Suction entrapment avoidance to be installed in accordance with APSP/ANSI/ICC-7



24' x 44' Standard View Mountain Lake

ALL DIMENSIONS
ARE FINISH
DIMENSIONS

Perimeter	113'-10"	page 2 of 3
Surface Area	735.00 SF	
Volume	24200 gal	
Liner Sq. Ft.	885.8333 SF	

A to D	50'-8"
B to C	

FROM A TO:	
E	17'-8 3/4"
F	40'-9"
G	25'-0 3/4"
H	35'-7"
J	35'-1 3/4"
K	12'-11 1/4"
L	38'-3 1/2"
M	47'-4 3/4"
W	27'-2 3/4"
X	11'-0 1/4"
Y	39'-1 1/4"
Z	34'-11 3/4"

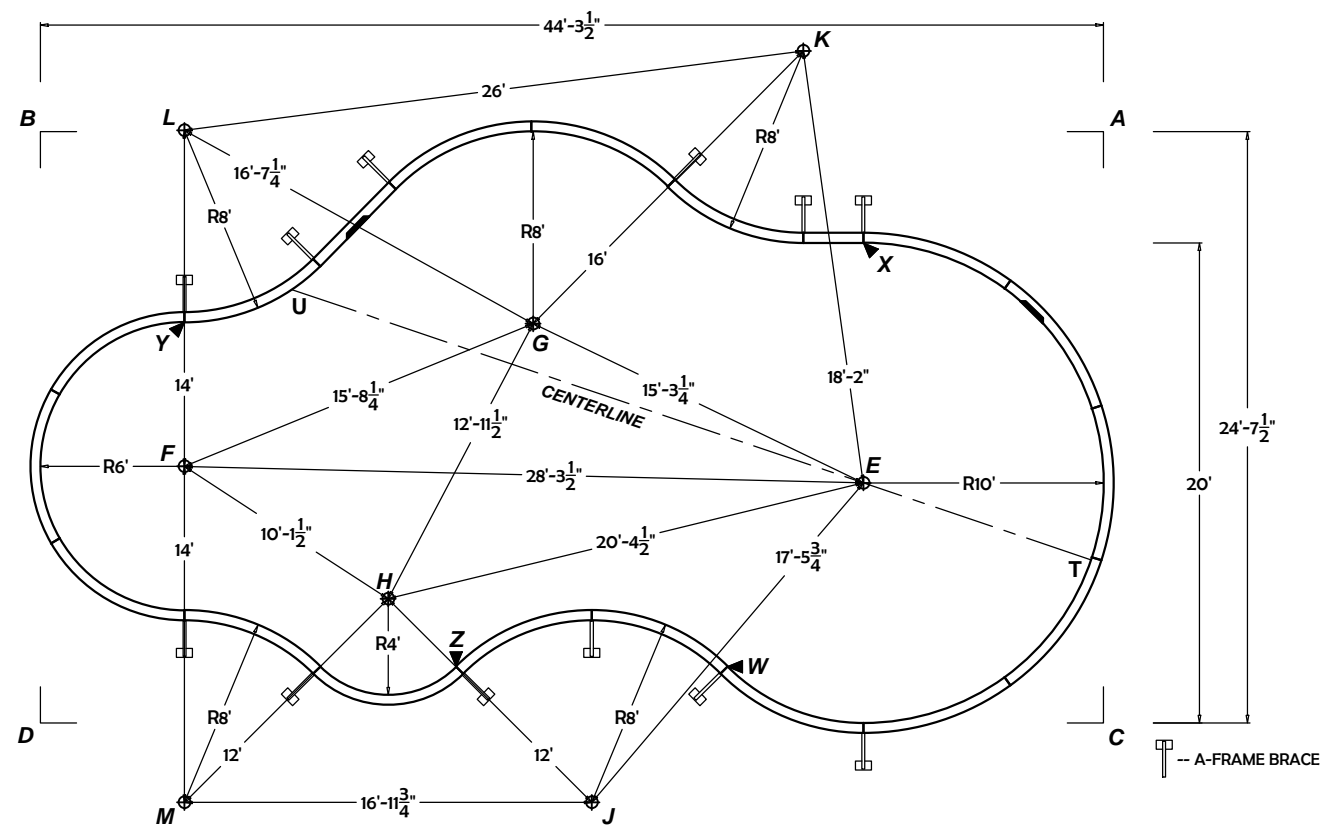
FROM B TO:	
E	37'-3 1/4"
F	15'-2 1/4"
G	22'-0 1/4"
H	24'-3"
J	36'-2"
K	31'-11 1/2"
L	6'
M	28'-7"
W	36'-3 1/2"
X	34'-7 1/4"
Y	9'-11 1/2"
Z	28'-2 3/4"

FROM C TO:	
E	14'-1 3/4"
F	39'-9"
G	29'
H	30'-3"
J	21'-6 3/4"
K	30'-8"
L	45'-6 3/4"
M	38'-5 1/4"
W	15'-10"
X	22'-4 1/4"
Y	41'-9 1/4"
Z	27'-0 3/4"

FROM D TO:	
E	35'-8 1/2"
F	12'-3"
G	26'-5"
H	15'-4 1/2"
J	23'-1 1/2"
K	42'-4 1/4"
L	25'-4 3/4"
M	6'-10 1/4"
W	28'-8 3/4"
X	39'-8 1/4"
Y	17'-8 3/4"
Z	17'-5 3/4"

FROM T TO:	
E	10'
F	37'-11 1/2"
G	25'-2 3/4"
H	29'-3 3/4"
J	23'-1 1/2"
K	24'-4 1/4"
L	41'-9 1/4"
M	39'-1"
W	15'-9 1/4"
X	16'-3"
Y	39'-0 1/4"
Z	26'-9 3/4"

FROM U TO:	
E	25'-1 3/4"
F	8'-7 1/2"
G	10'-1 3/4"
H	13'-6"
J	24'-9"
K	23'-6 1/4"
L	8'
M	21'-10"
W	24'
X	23'-10 3/4"
Y	4'-8"
Z	17'-1 1/2"



DIVING PERMITTED ONLY FROM DESIGNATED DIVING AREA.
The bottom configuration shown conforms with current ISPSC & ANSI / APSP / ICC suggested minimum standards for pools approved for use with manufactured diving equipment.

WARNING: Swimming pools can be dangerous if used improperly. Consult your dealer for information on safe use. It's the responsibility of town officials, builders and homeowners to follow safety recommendations of APSP/ANSI, local ordinances & equipment manufacturers.

- All work not specifically shown here is to be done in accordance with the requirements of the 2018 INTERNATIONAL SWIMMING POOL & SPA CODE, APSP/ANSI/ICC-5 2011 STANDARDS FOR RESIDENTIAL INGROUND SWIMMING POOLS, and all other local building codes.
- Construction Drawing: Different methods and precautions may be dictated by various ground conditions. This is to be determined by and is the responsibility of the contractor who is not an agent of the manufacturer of the component parts.
- Depth and shape of the pool meet minimum standards of the 2018 INTERNATIONAL SWIMMING POOL & SPA CODE and the APSP/ANSI/ICC-5 2011 STANDARDS FOR RESIDENTIAL INGROUND SWIMMING POOLS.
- A means of entry & exit for the deep end & shallow end of the pool must be provided in accordance with 2018 INTERNATIONAL SWIMMING POOL & SPA CODE, section 809.
- Equipotential bonding must be provided in accordance with the NATIONAL ELECTRIC CODE, NFPA 70.
- All A-frame braces are to be contained within an 8" thick continuous poured concrete (2500 psi) perimeter collar.
- Backfill with clean earth, free of roots and debris.
- Finished bottom is to be 2" minimum of suitable material or undisturbed earth.
- 3" wide, 3" thick concrete deck is to be poured at a slope of 1/4" to 1' away from the pool.
- NO DIVING labels are to be installed around the perimeter of the pool.
- A safety line, with buoys, is to be permanently attached 10' to the shallow side of the point of first slope change.
- Suction entrapment avoidance to be installed in accordance with APSP/ANSI/ICC-7

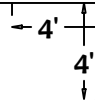
24' x 44' Standard View Mountain Lake

Perimeter	113'-10"	page 3 of 3
Surface Area	735.00 SF	
Volume	24200 gal	
Liner Sq. Ft.	885.8333 SF	

ALL DIMENSIONS ARE FINISH DIMENSIONS

** see page A5 (full steel) & A6 (Nexus) for Radius Inside Steel Stair Filler specifications

** Coping Layouts are shown on pages A73 (Progressive) & A100 (CP2)



A to D	50'-8"
B to C	

FROM A TO:	
W	27'-2 3/4"
X	11'-0 1/4"
Y	39'-1 1/4"
Z	34'-11 3/4"

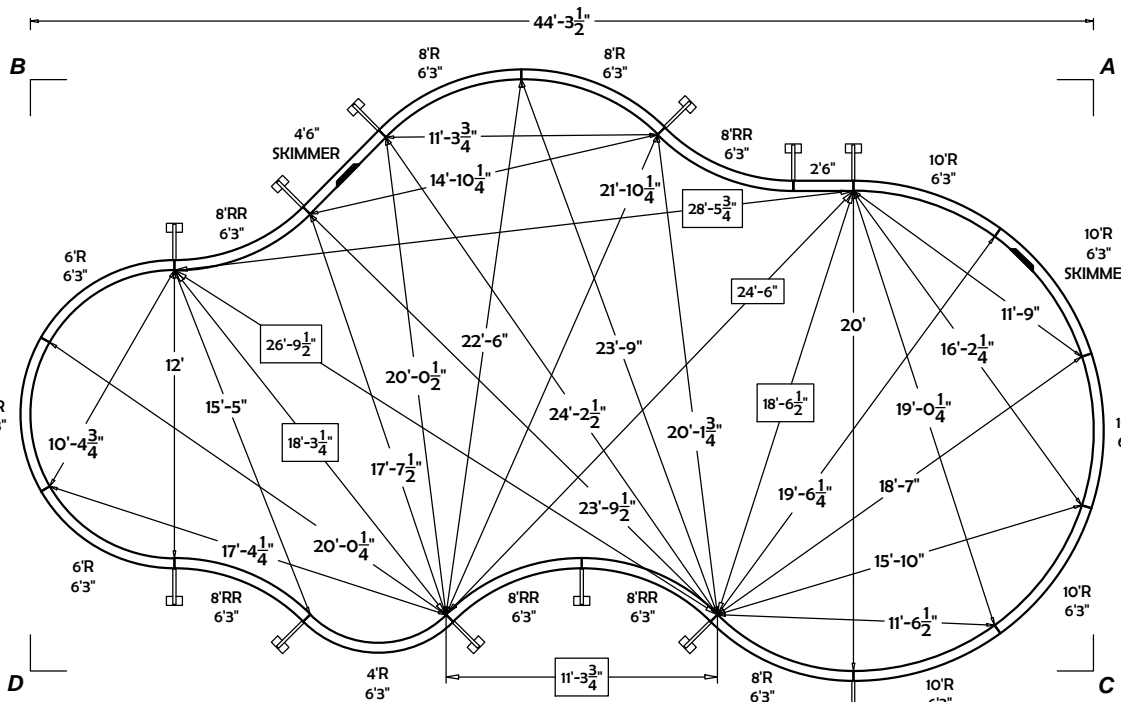
FROM B TO:	
W	36'-3 1/2"
X	34'-7 1/4"
Y	9'-11 1/2"
Z	28'-2 3/4"

FROM C TO:	
W	15'-10"
X	22'-4 1/4"
Y	41'-9 1/4"
Z	27'-0 3/4"

FROM D TO:	
W	28'-8 3/4"
X	39'-8 1/4"
Y	17'-8 3/4"
Z	17'-5 3/4"

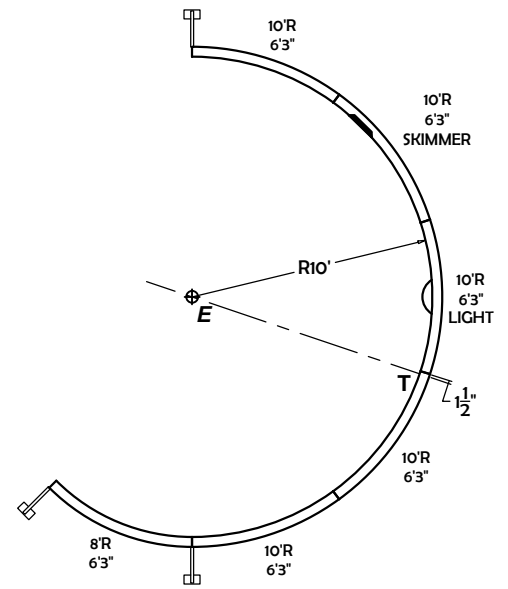
FROM T TO:	
W	15'-9 1/4"
X	16'-3"
Y	39'-0 1/4"
Z	26'-9 3/4"

FROM U TO:	
W	24'
X	23'-10 3/4"
Y	4'-8"
Z	17'-1 1/2"



-- A-FRAME BRACE

LIGHT PANEL OPTION

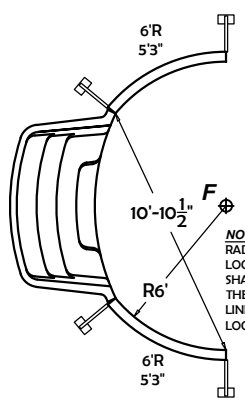


DIVING PERMITTED ONLY FROM DESIGNATED DIVING AREA.
The bottom configuration shown conforms with current ISPSA & ANSI / APSP / ICC suggested minimum standards for pools approved for use with manufactured diving equipment.

WARNING: Swimming pools can be dangerous if used improperly. Consult your dealer for information on safe use. It's the responsibility of town officials, builders and homeowners to follow safety recommendations of APSP/ANSI, local ordinances & equipment manufacturers.

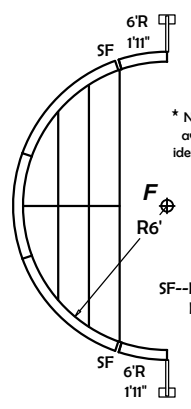
- All work not specifically shown here is to be done in accordance with the requirements of the 2018 INTERNATIONAL SWIMMING POOL & SPA CODE, APSP/ANSI/ICC-5 2011 STANDARDS FOR RESIDENTIAL INGROUND SWIMMING POOLS, and all other local building codes.
- Construction Drawing: Different methods and precautions may be dictated by various ground conditions. This is to be determined by and is the responsibility of the contractor who is not an agent of the manufacturer of the component parts.
- Depth and shape of the pool meet minimum standards of the 2018 INTERNATIONAL SWIMMING POOL & SPA CODE and the APSP/ANSI/ICC-5 2011 STANDARDS FOR RESIDENTIAL INGROUND SWIMMING POOLS.
- A means of entry & exit for the deep end & shallow end of the pool must be provided in accordance with 2018 INTERNATIONAL SWIMMING POOL & SPA CODE, section 809.
- Equipotential bonding must be provided in accordance with the NATIONAL ELECTRIC CODE, NFPA 70.
- All A-frame braces are to be contained within an 8" thick continuous poured concrete (2500 psi) perimeter collar.
- Backfill with clean earth, free of roots and debris.
- Finished bottom is to be 2" minimum of suitable material or undisturbed earth.
- 3' wide, 3" thick concrete deck is to be poured at a slope of 1/8" to 1' away from the pool. NO DIVING labels are to be installed around the perimeter of the pool.
- A safety line, with buoys, is to be permanently attached 10' to the shallow side of the point of first slope change.
- Suction entrapment avoidance to be installed in accordance with APSP/ANSI/ICC-7

8' RADIUS PLASTIC STEP OPTION



NOTE: LINER IS MADE WITH AN 8' RADIUS STEP-IN-REST STAIR PATCH LOCATED AT THE CENTER OF THE SHALLOW END AS SHOWN. MOVING THE STEP WILL REQUIRE A SPECIAL LINER BE MADE TO PROPERLY LOCATE THE STAIR PATCH.

6'R x 12'W STEEL STAIR OPTION



* Nexus stair option is available using the identical panel layout

SF--FREE FORM STAIR FILLER (04487U)

24' x 44' Reverse View Mountain Lake

Perimeter	113'-10"	page	
Surface Area	735.00 SF	1 of 3	
Volume	24200 gal		
Liner Sq. Ft.	885.8333 SF		

ITEM #	PART DESCRIPTION	No Stairs	6'R x 12'W Stair	8'R Plastic Step
04159	10' Radius Panel - 6'3"	4	4	4
04477	10' Radius Skimmer - 6'3"	1	1	1
04162	8' Radius Panel - 6'3"	1	1	1
04167	8' Radius Return - 6'3"	2	2	2
04437	6' Radius Panel - 6'3"	2		
04439	6' Radius Return - 6'3"	1		
04485	6' Radius Panel - 5'3"			1
04486	6' Radius Return - 5'3"			1
04474	6' Radius Panel - 1'11"		2	
04129	4' Radius Panel - 6'3"	1	1	1
04165	8' Reverse Radius - 6'3"	5	5	5
04484	4'6" Skimmer Panel	1	1	1
04480	2'6" Plain Panel	1	1	1
----	Adjustable A-Frame	12	12	14
04021B	6'R x 12'W Steel Stair		1	
07418RSNR	8' Radius Step-n-Rest			1
PAK-75	Nut & Bolt Pak - 75 pcs	3	3	3
PAK-100	Nut & Bolt Pak - 100 pcs			
04446	10' Radius Light - 6'3"			

ALL DIMENSIONS ARE FINISH DIMENSIONS

** see page A5 (full steel) & A6 (Nexus) for Radius Inside Steel Stair Filler specifications
** Coping Layouts are shown on pages A73 (Progressive) & A100 (CP2)

FROM A TO:	
D	50'-8"
N1	35'-10"
N2	11'-6 1/4"
P	13'-2 3/4"
P1	10'-4 1/2"
Q	22'-6"
R	24'-2 1/4"
R1	27'-3 3/4"
S	38'-4 1/2"
T	17'-10 1/4"
U	34'-5 1/4"

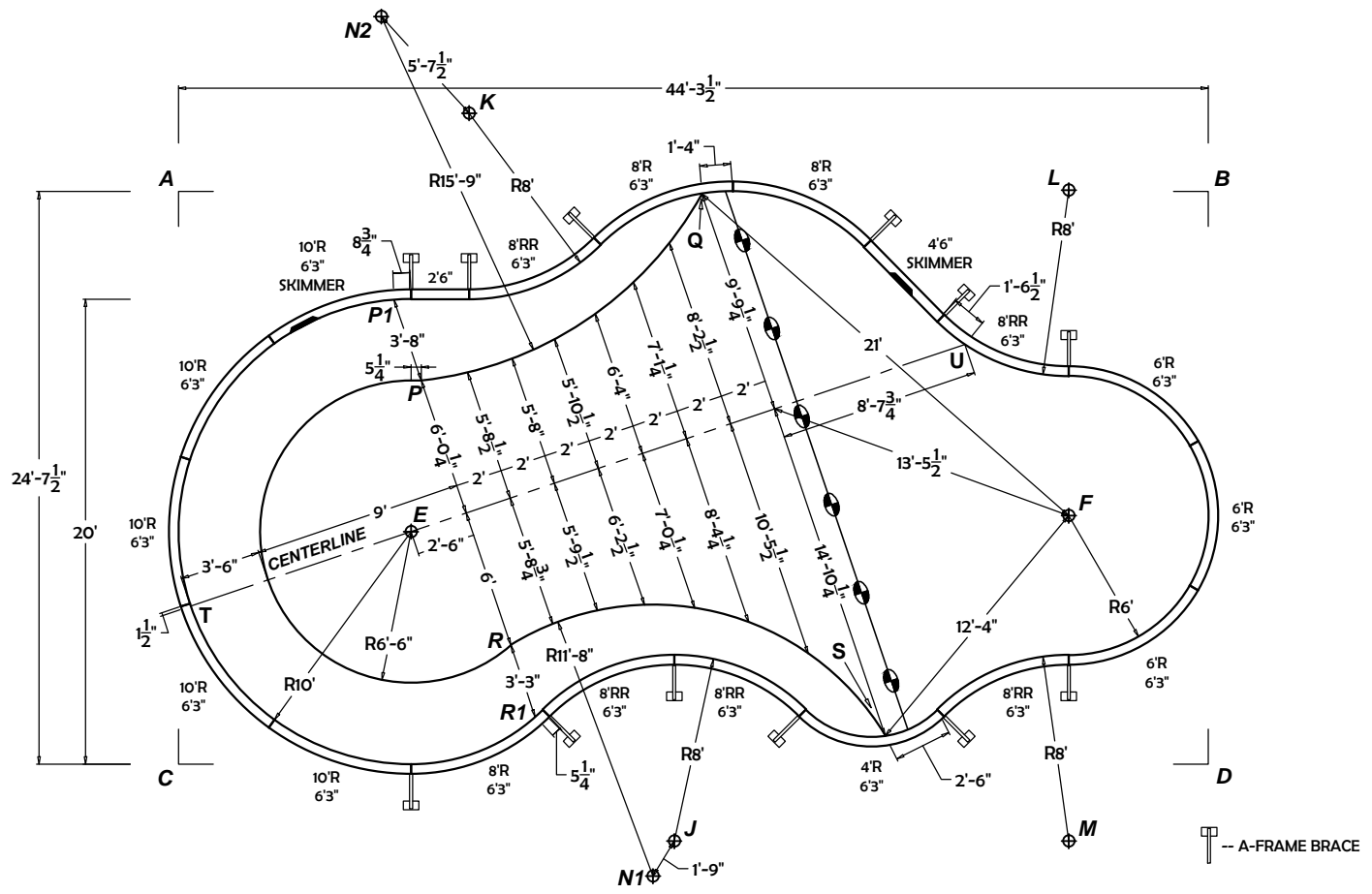
FROM B TO:	
C	50'-8"
N1	37'-11"
N2	36'-4 1/4"
P	34'-9 3/4"
P1	35'-4"
Q	21'-9 1/2"
R	35'-9 1/2"
R1	36'-8 3/4"
S	27'-2 3/4"
T	47'-3"
U	12'-4 1/2"

FROM C TO:	
B	50'-8"
N1	20'-11 1/2"
N2	33'-3 3/4"
P	19'-6 1/4"
P1	22'-0 1/4"
Q	33'-3 1/2"
R	15'-2 1/4"
R1	15'-5 1/2"
S	30'-5"
T	6'-9 3/4"
U	38'-4"

FROM D TO:	
A	50'-8"
N1	24'-4 1/4"
N2	47'-11 1/4"
P	37'-7 3/4"
P1	40'-3 3/4"
Q	32'-9 3/4"
R	30'-5 1/4"
R1	29'-0 1/4"
S	13'-11 1/2"
T	44'-3 1/2"
U	20'-10 1/2"

FROM T TO:	
N1	23'-0 1/4"
N2	26'-7 3/4"
P	13'-10 1/2"
P1	15'-9 3/4"
Q	28'-3"
R	13'-10 1/2"
R1	15'-6 1/2"
S	30'-4 1/2"

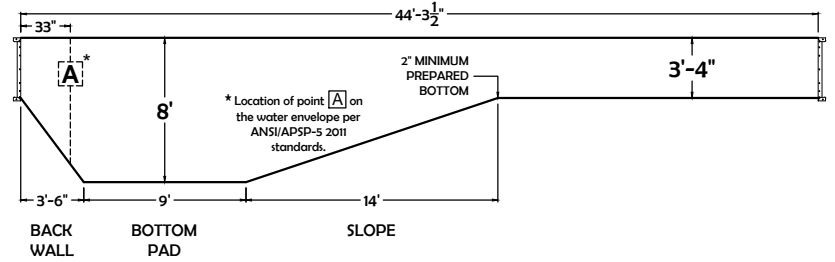
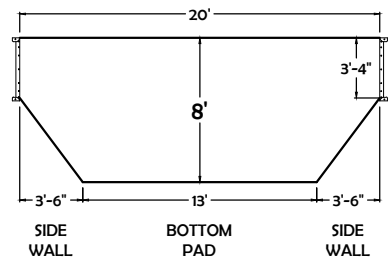
FROM U TO:	
N1	26'-6 1/4"
N2	28'-9 1/2"
P	23'-5"
P1	24'-7 1/2"
Q	13'-0 1/2"
R	23'-5"
R1	24'-5 1/2"
S	17'-2 1/4"



DIVING PERMITTED ONLY FROM DESIGNATED DIVING AREA.
The bottom configuration shown conforms with current ISPSC & ANSI / APSP / ICC suggested minimum standards for pools approved for use with manufactured diving equipment.

WARNING: Swimming pools can be dangerous if used improperly. Consult your dealer for information on safe use. It's the responsibility of town officials, builders and homeowners to follow safety recommendations of APSP/ANSI, local ordinances & equipment manufacturers.

- All work not specifically shown here is to be done in accordance with the requirements of the 2018 INTERNATIONAL SWIMMING POOL & SPA CODE, APSP/ANSI/ICC-5 2011 STANDARDS FOR RESIDENTIAL INGROUND SWIMMING POOLS, and all other local building codes.
- Construction Drawing: Different methods and precautions may be dictated by various ground conditions. This is to be determined by and is the responsibility of the contractor who is not an agent of the manufacturer of the component parts.
- Depth and shape of the pool meet minimum standards of the 2018 INTERNATIONAL SWIMMING POOL & SPA CODE and the APSP/ANSI/ICC-5 2011 STANDARDS FOR RESIDENTIAL INGROUND SWIMMING POOLS.
- A means of entry & exit for the deep end & shallow end of the pool must be provided in accordance with 2018 INTERNATIONAL SWIMMING POOL & SPA CODE, section 809.
- Equipotential bonding must be provided in accordance with the NATIONAL ELECTRIC CODE, NFPA 70.
- All A-frame braces are to be contained within an 8" thick continuous poured concrete (2500 psi) perimeter collar.
- Backfill with clean earth, free of roots and debris.
- Finished bottom is to be 2" minimum of suitable material or undisturbed earth.
- 3" wide, 3" thick concrete deck is to be poured at a slope of 1/4" to 1' away from the pool.
- NO DIVING labels are to be installed around the perimeter of the pool.
- A safety line, with buoys, is to be permanently attached 10' to the shallow side of the point of first slope change.
- Suction entrapment avoidance to be installed in accordance with APSP/ANSI/ICC-7



24' x 44' Reverse View Mountain Lake

ALL DIMENSIONS
ARE FINISH
DIMENSIONS

4'
4'

Perimeter	113'-10"	page 2 of 3
Surface Area	735.00 SF	
Volume	24200 gal	
Liner Sq. Ft.	885.8333 SF	

A to D	50'-8"
B to C	

FROM A TO:	
E	17'-8 3/4"
F	40'-9"
G	25'-0 3/4"
H	35'-7"
J	35'-1 3/4"
K	12'-11 1/4"
L	38'-3 1/2"
M	47'-4 3/4"
W	27'-2 3/4"
X	11'-0 1/4"
Y	39'-1 1/4"
Z	34'-11 3/4"

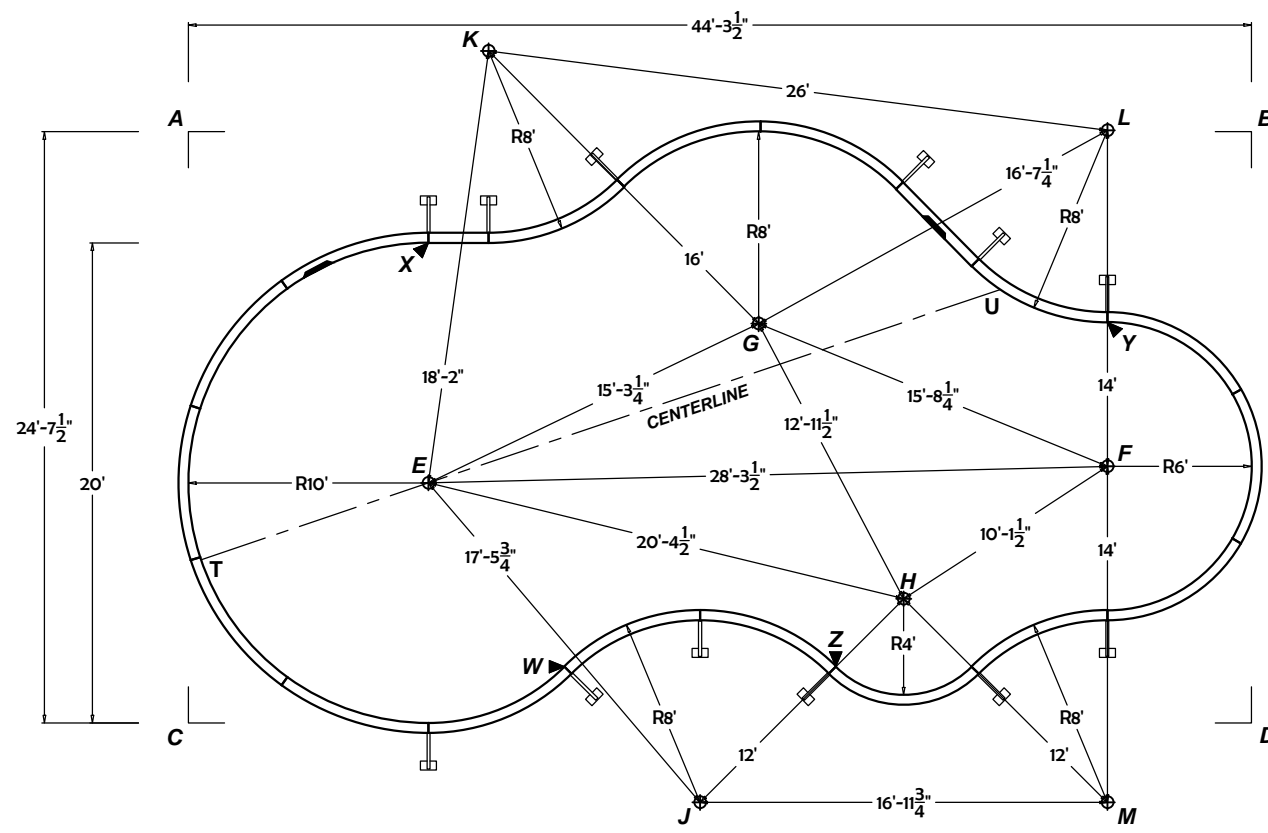
FROM B TO:	
E	37'-3 1/4"
F	15'-2 1/4"
G	22'-0 1/4"
H	24'-3"
J	36'-2"
K	31'-11 1/2"
L	6'
M	28'-7"
W	36'-3 1/2"
X	34'-7 1/4"
Y	9'-11 1/2"
Z	28'-2 3/4"

FROM C TO:	
E	14'-1 3/4"
F	39'-9"
G	29'
H	30'-3"
J	21'-6 3/4"
K	30'-8"
L	45'-6 3/4"
M	38'-5 1/4"
W	15'-10"
X	22'-4 1/4"
Y	41'-9 1/4"
Z	27'-0 3/4"

FROM D TO:	
E	35'-8 1/2"
F	12'-3"
G	26'-5"
H	15'-4 1/2"
J	23'-2 1/2"
K	42'-4 1/4"
L	25'-4 3/4"
M	6'-10 1/4"
W	28'-8 3/4"
X	39'-8 1/4"
Y	17'-8 3/4"
Z	17'-5 3/4"

FROM T TO:	
E	10'
F	37'-11 1/2"
G	25'-2 3/4"
H	29'-3 3/4"
J	23'-1 1/2"
K	24'-4 1/4"
L	41'-9 1/4"
M	39'-1"
W	15'-9 1/4"
X	16'-3"
Y	39'-0 1/4"
Z	26'-9 3/4"

FROM U TO:	
E	25'-1 3/4"
F	8'-7 1/2"
G	10'-1 3/4"
H	13'-6"
J	24'-9"
K	23'-6 1/4"
L	8'
M	21'-10"
W	24'
X	23'-10 3/4"
Y	4'-8"
Z	17'-1 1/2"



DIVING PERMITTED ONLY FROM DESIGNATED DIVING AREA.
The bottom configuration shown conforms with current ISPSC & ANSI / APSP / ICC suggested minimum standards for pools approved for use with manufactured diving equipment.

WARNING: Swimming pools can be dangerous if used improperly. Consult your dealer for information on safe use. It's the responsibility of town officials, builders and homeowners to follow safety recommendations of APSP/ANSI, local ordinances & equipment manufacturers.

- All work not specifically shown here is to be done in accordance with the requirements of the 2018 INTERNATIONAL SWIMMING POOL & SPA CODE, APSP/ANSI/ICC-5 2011 STANDARDS FOR RESIDENTIAL INGROUND SWIMMING POOLS, and all other local building codes.
- Construction Drawing: Different methods and precautions may be dictated by various ground conditions. This is to be determined by and is the responsibility of the contractor who is not an agent of the manufacturer of the component parts.
- Depth and shape of the pool meet minimum standards of the 2018 INTERNATIONAL SWIMMING POOL & SPA CODE and the APSP/ANSI/ICC-5 2011 STANDARDS FOR RESIDENTIAL INGROUND SWIMMING POOLS.
- A means of entry & exit for the deep end & shallow end of the pool must be provided in accordance with 2018 INTERNATIONAL SWIMMING POOL & SPA CODE, section 809.
- Equipotential bonding must be provided in accordance with the NATIONAL ELECTRIC CODE, NFPA 70.
- All A-frame braces are to be contained within an 8" thick continuous poured concrete (2500 psi) perimeter collar.
- Backfill with clean earth, free of roots and debris.
- Finished bottom is to be 2" minimum of suitable material or undisturbed earth.
- 3' wide, 3" thick concrete deck is to be poured at a slope of 1/4" to 1' away from the pool. NO DIVING labels are to be installed around the perimeter of the pool.
- A safety line, with buoys, is to be permanently attached 10' to the shallow side of the point of first slope change.
- Suction entrapment avoidance to be installed in accordance with APSP/ANSI/ICC-7

-- A-FRAME BRACE

24' x 44' Reverse View Mountain Lake

Perimeter	113'-10"	page 3 of 3
Surface Area	735.00 SF	
Volume	24200 gal	
Liner Sq. Ft.	885.8333 SF	

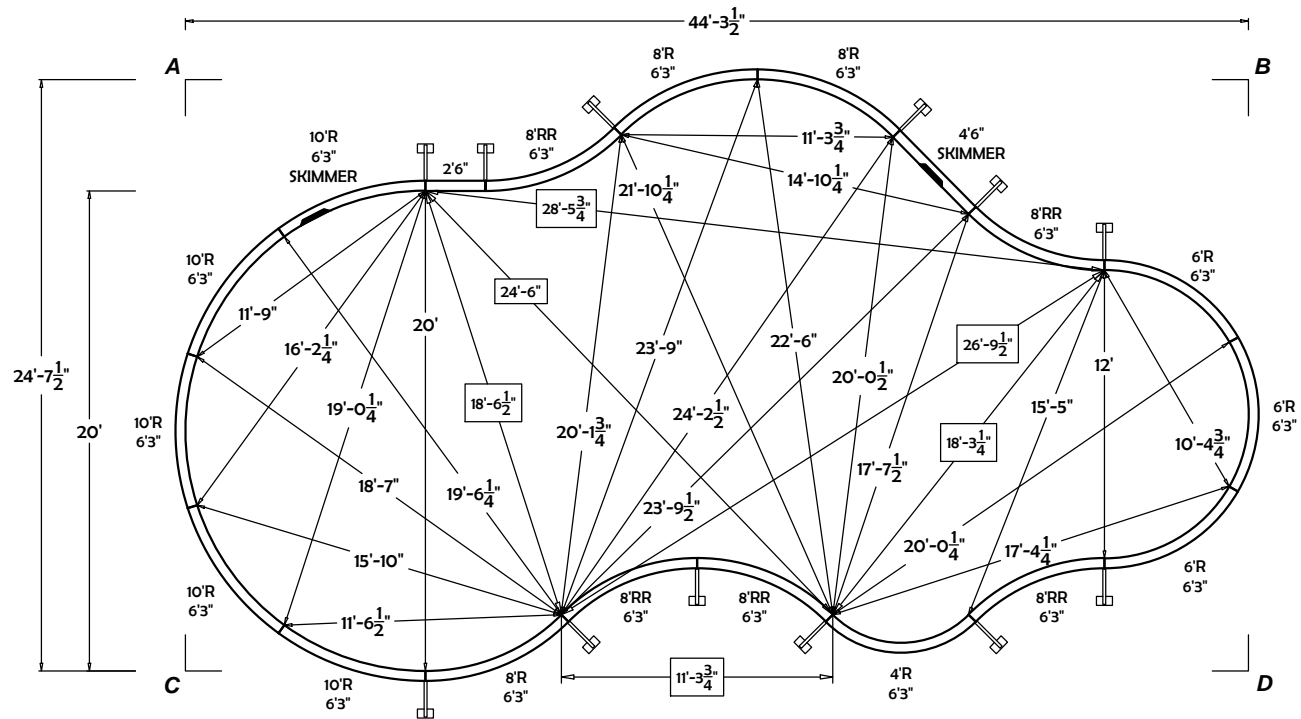
**ALL DIMENSIONS
ARE FINISH
DIMENSIONS**

** see page A5 (full steel) & A6 (Nexus) for Radius
Inside Steel Stair Filler specifications

** Coping Layouts are shown on
pages A73 (Progressive) & A100 (CP2)



A to D: W 27'-2 3/4" X 11'-0 1/4" Y 39'-1 1/4" Z 34'-11 3/4"	FROM B TO: W 36'-3 1/2" X 34'-7 1/4" Y 9'-11 1/2" Z 28'-2 3/4"	FROM C TO: W 15'-10" X 22'-4 1/4" Y 41'-9 1/4" Z 27'-0 3/4"	FROM D TO: W 28'-8 3/4" X 39'-8 1/4" Y 17'-8 3/4" Z 17'-5 3/4"	FROM T TO: W 15'-9 1/4" X 16'-3" Y 39'-0 1/4" Z 26'-9 3/4"	FROM U TO: W 24" X 23'-10 3/4" Y 4'-8" Z 17'-1 1/2"
---------------------------------------------------------------------------------	-----------------------------------------------------------------------------------	--------------------------------------------------------------------------------	-----------------------------------------------------------------------------------	-------------------------------------------------------------------------------	------------------------------------------------------------------------

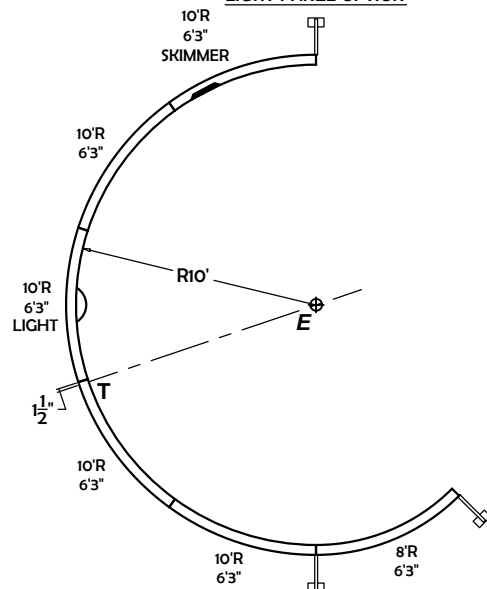


DIVING PERMITTED ONLY FROM DESIGNATED DIVING AREA.
The bottom configuration shown conforms with current ISPSC & ANSI / APSP / ICC suggested minimum standards for pools approved for use with manufactured diving equipment.

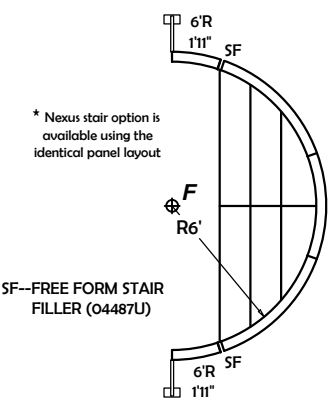
WARNING: Swimming pools can be dangerous if used improperly. Consult your dealer for information on safe use. It's the responsibility of town officials, builders and homeowners to follow safety recommendations of APSP/ANSI, local ordinances & equipment manufacturers.

- All work not specifically shown here is to be done in accordance with the requirements of the 2018 INTERNATIONAL SWIMMING POOL & SPA CODE, APSP/ANSI/ICC-5 2011 STANDARDS FOR RESIDENTIAL INGROUND SWIMMING POOLS, and all other local building codes.
- Construction Drawing: Different methods and precautions may be dictated by various ground conditions. This is to be determined by and is the responsibility of the contractor who is not an agent of the manufacturer of the component parts.
- Depth and shape of the pool meet minimum standards of the 2018 INTERNATIONAL SWIMMING POOL & SPA CODE and the APSP/ANSI/ICC-5 2011 STANDARDS FOR RESIDENTIAL INGROUND SWIMMING POOLS.
- A means of entry & exit for the deep end & shallow end of the pool must be provided in accordance with 2018 INTERNATIONAL SWIMMING POOL & SPA CODE, section 809.
- Equipotential bonding must be provided in accordance with the NATIONAL ELECTRIC CODE, NFPA 70.
- All A-frame braces are to be contained within an 8" thick continuous poured concrete (2500 psi) perimeter collar.
- Backfill with clean earth, free of roots and debris.
- Finished bottom is to be 2" minimum of suitable material or undisturbed earth.
- 3" wide, 3" thick concrete deck is to be poured at a slope of 1/8" to 1' away from the pool. NO DIVING labels are to be installed around the perimeter of the pool.
- A safety line, with buoys, is to be permanently attached 10' to the shallow side of the point of first slope change.
- Suction entrapment avoidance to be installed in accordance with APSP/ANSI/ICC-7

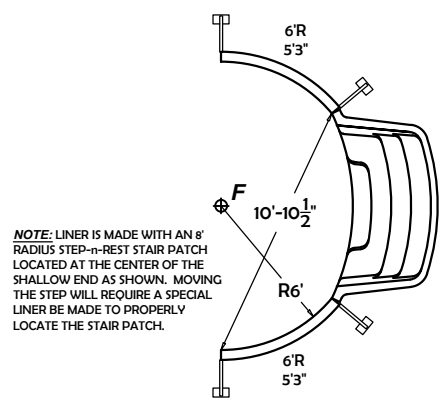
LIGHT PANEL OPTION



6' R x 12' W STEEL STAIR OPTION



8' RADIUS PLASTIC STEP OPTION



16' x 34' x 25' Left Lagoon

Perimeter	102'-5"	page			
Surface Area	569.72 SF				
Volume	14800 gal	1 of 3			
Liner Sq. Ft.	654.9167 SF				
ITEM #	PART DESCRIPTION	No Stairs	6'R x 12'W Stair	8'R Plastic Step	
04162	8' Radius Panel - 6'3"	4	4	3	
04476	8' Radius Skimmer - 6'3"	1	1	1	
04167	8' Radius Return - 6'3"	1	1	2	
04441	8' Radius Panel - 4'2"	2	2	2	
04133	8' Radius Panel - 3'1 1/2"	2	2	2	
04437	6' Radius Panel - 6'3"	2			
04439	6' Radius Return - 6'3"	1			
04485	6' Radius Panel - 5'3"			2	
04474	6' Radius Panel - 1'11"		2		
04300	10' Reverse Radius - 5'2 1/4"	2	2	2	
04165	8' Reverse Radius - 6'3"	3	3	3	
04114	2' Plain Panel	1	1	1	
----	Adjustable A-Frame	9	9	11	
04021B	6'R x 12'W Steel Stair	1			
07418RSNR	8' Radius Step-n-Rest			1	
PAK-75	Nut & Bolt Pak - 75 pcs				
PAK-100	Nut & Bolt Pak - 100 pcs	2	2	2	
04134	8' Radius Light - 6'3"				

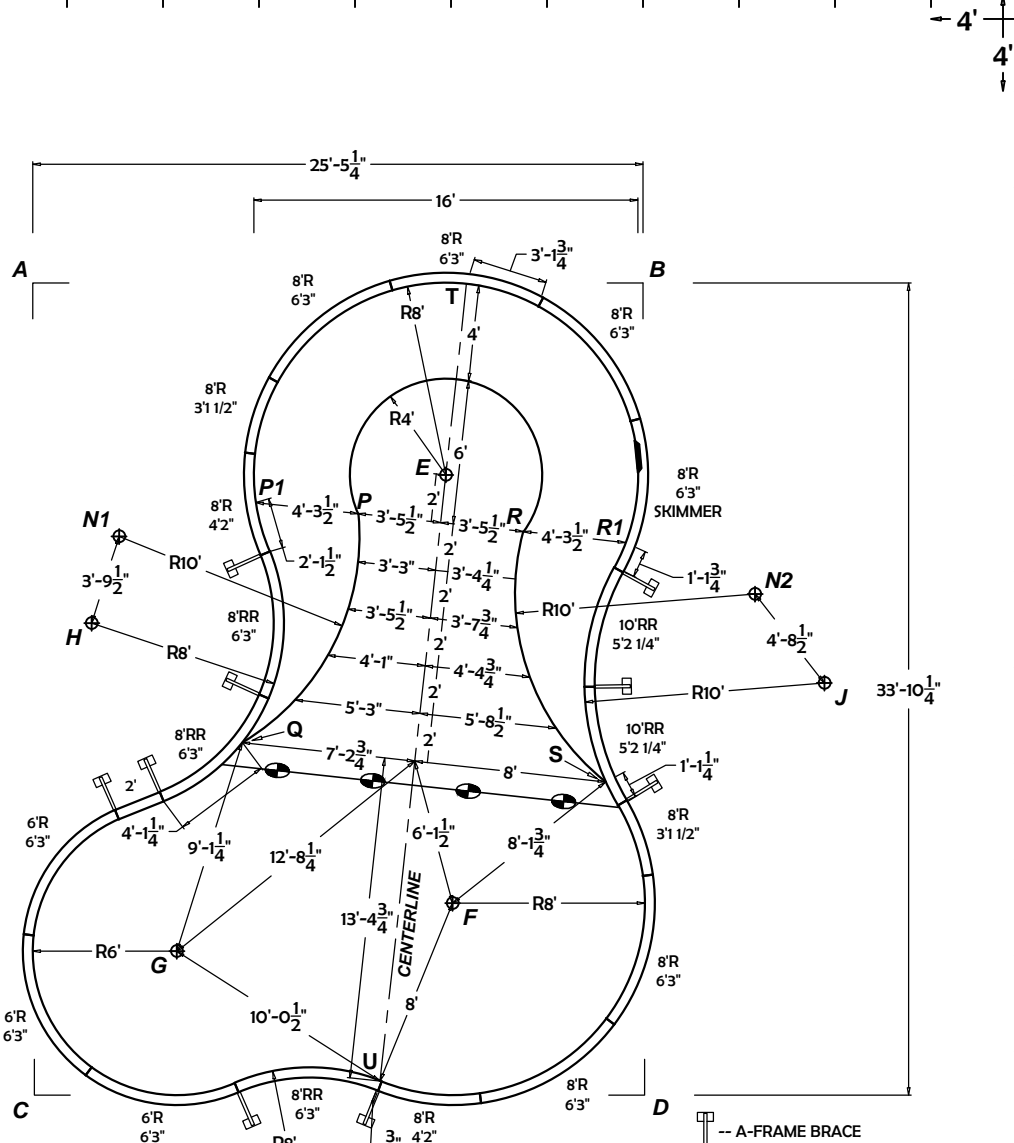
ALL DIMENSIONS ARE FINISH DIMENSIONS

** see page A5 (full steel) & A6 (Nexus) for Radius Inside Steel Stair Filler specifications
 ** Coping Layouts are shown on pages A74 (Progressive) & A101 (CP2)

FROM A TO:		FROM B TO:	
D	42'-4 1/2"	C	42'-3 1/2"
E	18'-11 3/4"	E	11'-5 3/4"
F	31'-2 1/2"	F	27'-0 1/2"
G	28'-5 3/4"	G	33'-11 1/2"
H	14'-4 3/4"	H	27'
J	36'-11 1/2"	J	18'-3 3/4"
K	42'-3 3/4"	K	43'
N1	11'-2"	N1	24'-3"
N2	32'-9 1/4"	N2	13'-9 1/4"
P	16'-7 1/4"	P	15'-3 1/2"
P1	13'-0 1/2"	P1	18'-6 1/2"
Q	21'-0 1/2"	Q	25'-5"
R	22'-11"	R	11'-6"
R1	26'-11 1/2"	R1	10'-10 1/4"
S	31'-7 3/4"	S	20'-10 1/4"
T	18'-0 3/4"	T	7'-4 1/4"
U	36'-3 1/4"	U	35'-0 1/4"

FROM C TO:		FROM D TO:	
B	42'-3 1/2"	A	42'-4 1/2"
E	31'-0 1/4"	E	27'-1 3/4"
F	19'-2"	F	11'-3 3/4"
G	8'-5 1/4"	G	20'-4 3/4"
H	19'-9 3/4"	H	30'-3 1/2"
J	37'-1 1/2"	J	18'-8 3/4"
K	13'-4 1/2"	K	15'-6 1/2"
N1	23'-6 1/2"	N1	31'-11 1/2"
N2	36'-7"	N2	21'-4 1/2"
P	27'-8 3/4"	P	27'-0 1/4"
P1	26'-4 1/4"	P1	29'-6 1/2"
Q	17'-0 3/4"	Q	22'-3 1/2"
R	31'-1"	R	24'-0 1/4"
R1	33'-8 1/2"	R1	23'-0 1/2"
S	27'-1 3/4"	S	13'-1 3/4"
T	38'-3 1/2"	T	34'-7 1/4"
U	14'-5"	U	11'-0 1/2"

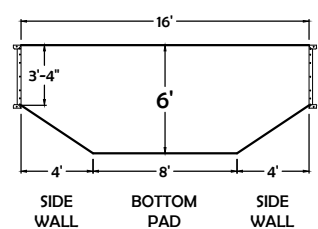
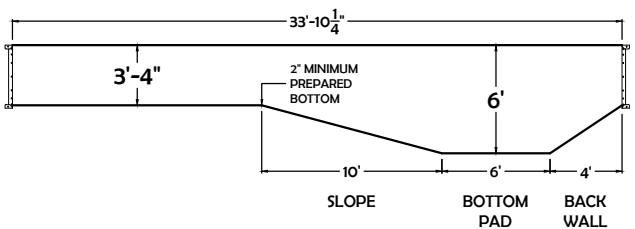
FROM T TO:		FROM U TO:	
E	8'	E	25'-4 3/4"
F	25'-9 3/4"	F	8'
G	30'-3 3/4"	G	10'-0 1/2"
H	21'-0 3/4"	H	22'-6 1/2"
J	22'-4"	J	24'-10 1/4"
K	41'-2"	K	8'
N1	17'-10 3/4"	N1	25'-2"
N2	17'-7 3/4"	N2	25'-7 1/4"
P	10'-7"	P	23'-8"
P1	12'-7 3/4"	P1	24'-7 3/4"
Q	21'-3 1/4"	Q	15'-2 3/4"
R	10'-7"	R	23'-8"
R1	12'-7 3/4"	R1	24'-7 3/4"
S	21'-6 1/2"	S	15'-7 1/4"



NO DIVING PERMITTED INTO THIS POOL
 The bottom configuration shown conforms with current ISPC & ANSI / APSP / ICC suggested minimum standards for pools NOT approved for diving.

WARNING: Swimming pools can be dangerous if used improperly. Consult your dealer for information on safe use. It's the responsibility of town officials, builders and homeowners to follow safety recommendations of APSP/ANSI, local ordinances & equipment manufacturers.

- All work not specifically shown here is to be done in accordance with the requirements of the 2018 INTERNATIONAL SWIMMING POOL & SPA CODE, APSP/ANSI/ICC-5 2011 STANDARDS FOR RESIDENTIAL INGROUND SWIMMING POOLS, and all other local building codes.
- Construction Drawing: Different methods and precautions may be dictated by various ground conditions. This is to be determined by and is the responsibility of the contractor who is not an agent of the manufacturer of the component parts.
- Depth and shape of the pool meet minimum standards of the 2018 INTERNATIONAL SWIMMING POOL & SPA CODE and the APSP/ANSI/ICC-5 2011 STANDARDS FOR RESIDENTIAL INGROUND SWIMMING POOLS.
- A means of entry & exit for the deep end & shallow end of the pool must be provided in accordance with 2018 INTERNATIONAL SWIMMING POOL & SPA CODE, section 809.
- Equipotential bonding must be provided in accordance with the NATIONAL ELECTRIC CODE, NFPA 70.
- All A-frame braces are to be contained within an 8" thick continuous poured concrete (2500 psi) perimeter collar.
- Backfill with clean earth, free of roots and debris.
- Finished bottom is to be 2" minimum of suitable material or undisturbed earth.
- 3" wide, 3" thick concrete deck is to be poured at a slope of 1/4" to 1' away from the pool.
- NO DIVING labels are to be installed around the perimeter of the pool.
- A safety line, with buoys, is to be permanently attached 10' to the shallow side of the point of first slope change.
- Suction entrapment avoidance to be installed in accordance with APSP/ANSI/ICC-7



16' x 34' x 25' Left Lagoon

ALL DIMENSIONS ARE FINISH DIMENSIONS

4'
4'

Perimeter	102'-5"	page 2 of 3
Surface Area	569.72 SF	
Volume	14800 gal	
Liner Sq. Ft.	654.9167 SF	

A to D	42'-4 1/2"
B to C	

FROM A TO:

E	18'-11 3/4"
F	31'-2 1/2"
G	28'-5 3/4"
H	14'-4 3/4"
J	36'-11 1/2"
K	42'-3 3/4"
W	14'-11"
X	26'-11 1/2"
Y	32'-8 1/4"
Z	22'-7 3/4"

FROM B TO:

E	11'-5 3/4"
F	27'-0 1/2"
G	33'-11 1/2"
H	27'
J	18'-3 3/4"
K	43'
W	19'-2"
X	11'-11"
Y	21'-9 1/2"
Z	31'-3"

FROM C TO:

E	31'-0 1/4"
F	19'-2"
G	8'-5 1/4"
H	19'-9 3/4"
J	37'-1 1/2"
K	13'-4 1/2"
W	24'-8 1/4"
X	32'-8"
Y	27'-1 3/4"
Z	12'-0 1/4"

FROM D TO:

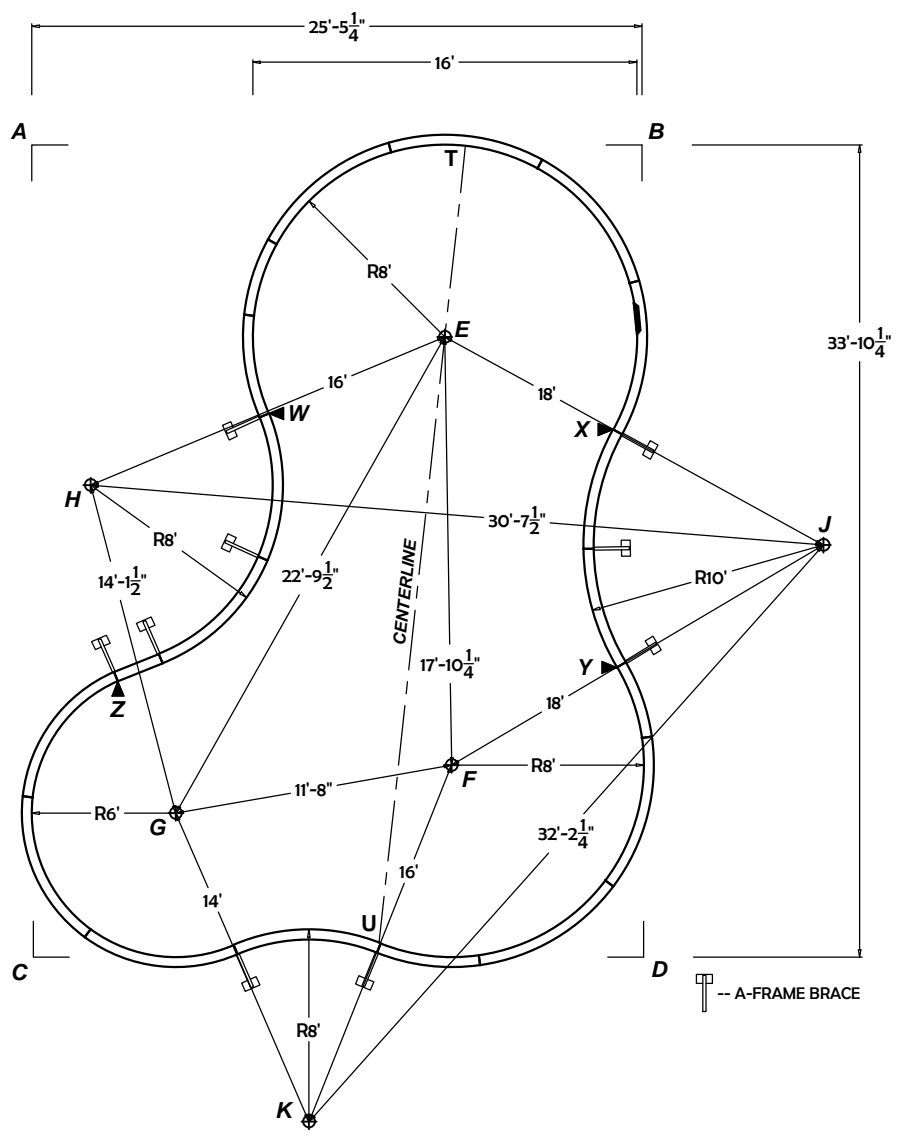
E	27'-1 3/4"
F	11'-3 3/4"
G	20'-4 3/4"
H	30'-3 1/2"
J	18'-8 3/4"
K	15'-6 1/2"
W	27'-6 1/4"
X	22'-0 1/4"
Y	12'-1 1/2"
Z	24'-8 3/4"

FROM T TO:

E	8'
F	25'-9 3/4"
G	30'-3 3/4"
H	21'-0 3/4"
J	22'-4"
K	41'-2"
W	13'-10"
X	13'-3 3/4"
Y	22'-7 1/2"
Z	26'-7"

FROM U TO:

E	25'-4 3/4"
F	8'
G	10'-0 1/2"
H	22'-6 1/2"
J	24'-10 1/4"
K	8'
W	22'-6 1/2"
X	23'-6 1/4"
Y	15'-2"
Z	15'-4 3/4"



NO DIVING PERMITTED INTO THIS POOL

The bottom configuration shown conforms with current ISPSC & ANSI / APSP / ICC suggested minimum standards for pools NOT approved for diving.

WARNING: Swimming pools can be dangerous if used improperly. Consult your dealer for information on safe use. It's the responsibility of town officials, builders and homeowners to follow safety recommendations of APSP/ANSI, local ordinances & equipment manufacturers.

- All work not specifically shown here is to be done in accordance with the requirements of the 2018 INTERNATIONAL SWIMMING POOL & SPA CODE, APSP/ANSI/ICC-5 2011 STANDARDS FOR RESIDENTIAL INGROUND SWIMMING POOLS, and all other local building codes.
- Construction Drawing: Different methods and precautions may be dictated by various ground conditions. This is to be determined by and is the responsibility of the contractor who is not an agent of the manufacturer of the component parts.
- Depth and shape of the pool meet minimum standards of the 2018 INTERNATIONAL SWIMMING POOL & SPA CODE and the APSP/ANSI/ICC-5 2011 STANDARDS FOR RESIDENTIAL INGROUND SWIMMING POOLS.
- A means of entry & exit for the deep end & shallow end of the pool must be provided in accordance with 2018 INTERNATIONAL SWIMMING POOL & SPA CODE, section 809.
- Equipotential bonding must be provided in accordance with the NATIONAL ELECTRIC CODE, NFPA 70.
- All A-frame braces are to be contained within an 8" thick continuous poured concrete (2500 psi) perimeter collar.
- Backfill with clean earth, free of roots and debris.
- Finished bottom is to be 2" minimum of suitable material or undisturbed earth.
- 3' wide, 3" thick concrete deck is to be poured at a slope of 1/4" to 1' away from the pool.
- NO DIVING labels are to be installed around the perimeter of the pool.
- A safety line, with buoys, is to be permanently attached 10' to the shallow side of the point of first slope change.
- Suction entrapment avoidance to be installed in accordance with APSP/ANSI/ICC-7

-- A-FRAME BRACE

16' x 34' x 25' Left Lagoon

Perimeter	102'-5"	page 3 of 3
Surface Area	569.72 SF	
Volume	14800 gal	
Liner Sq. Ft.	654.9167 SF	

ALL DIMENSIONS ARE FINISH DIMENSIONS

** see page A5 (full steel) & A6 (Nexus) for Radius Inside Steel Stair Filler specifications
** Coping Layouts are shown on pages A74 (Progressive) & A101 (CP2)

FROM A TO:

W	14'-11"
X	26'-11 1/2"
Y	32'-8 1/4"
Z	22'-7 3/4"

FROM B TO:

W	19'-2"
X	11'-11"
Y	21'-9 1/2"
Z	31'-3"

A to D	42'-4 1/2"
B to C	

FROM C TO:

W	24'-8 1/4"
X	32'-8"
Y	27'-1 3/4"
Z	12'-0 1/4"

FROM D TO:

W	27'-6 1/4"
X	22'-0 1/4"
Y	12'-1 1/2"
Z	24'-8 3/4"

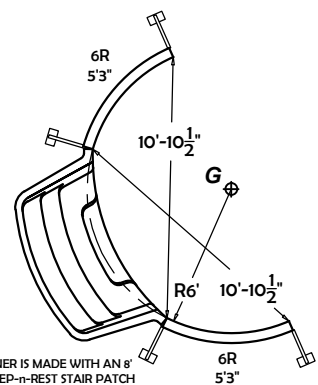
FROM T TO:

W	13'-10"
X	13'-3 3/4"
Y	22'-7 1/2"
Z	26'-7"

FROM U TO:

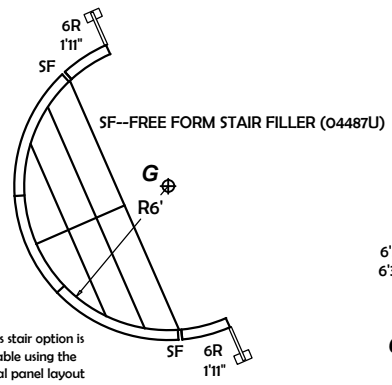
W	22'-6 1/2"
X	23'-6 1/4"
Y	15'-2"
Z	15'-4 3/4"

8' RADIUS PLASTIC STEP OPTION



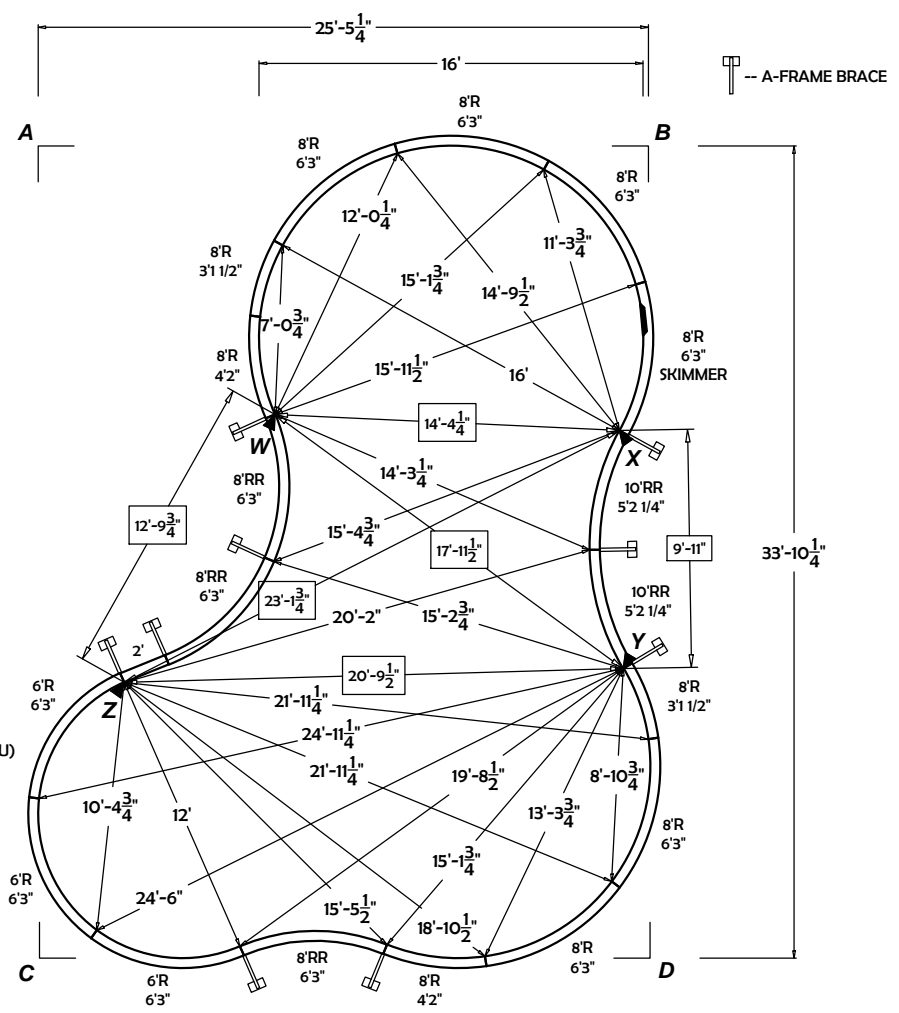
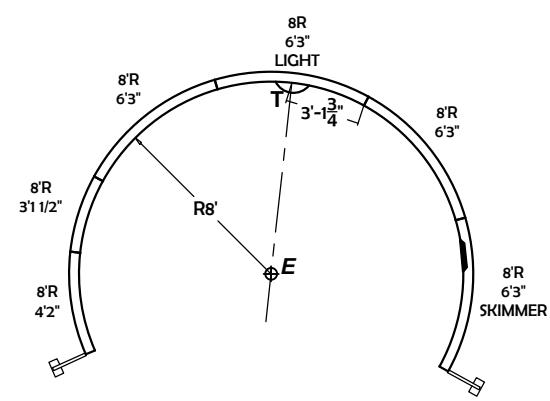
NOTE: LINER IS MADE WITH AN 8' RADIUS STEP-IN-REST STAIR PATCH LOCATED AT THE CENTER OF THE SHALLOW END AS SHOWN. MOVING THE STEP WILL REQUIRE A SPECIAL LINER BE MADE TO PROPERLY LOCATE THE STAIR PATCH.

6'R x 12'W STEEL STAIR OPTION



* Nexus stair option is available using the identical panel layout

LIGHT PANEL OPTION



NO DIVING PERMITTED INTO THIS POOL

The bottom configuration shown conforms with current ISPSA & ANSI / APSP / ICC suggested minimum standards for pools **NOT** approved for diving.

WARNING: Swimming pools can be dangerous if used improperly. Consult your dealer for information on safe use. It's the responsibility of town officials, builders and homeowners to follow safety recommendations of APSP/ANSI, local ordinances & equipment manufacturers.

- All work not specifically shown here is to be done in accordance with the requirements of the 2018 INTERNATIONAL SWIMMING POOL & SPA CODE, APSP/ANSI/ICC-5 2011 STANDARDS FOR RESIDENTIAL INGROUND SWIMMING POOLS, and all other local building codes.
- Construction Drawing: Different methods and precautions may be dictated by various ground conditions. This is to be determined by and is the responsibility of the contractor who is not an agent of the manufacturer of the component parts.
- Depth and shape of the pool meet minimum standards of the 2018 INTERNATIONAL SWIMMING POOL & SPA CODE and the APSP/ANSI/ICC-5 2011 STANDARDS FOR RESIDENTIAL INGROUND SWIMMING POOLS.
- A means of entry & exit for the deep end & shallow end of the pool must be provided in accordance with 2018 INTERNATIONAL SWIMMING POOL & SPA CODE, section 809.
- Equipotential bonding must be provided in accordance with the NATIONAL ELECTRIC CODE, NFPA 70.
- All A-frame braces are to be contained within an 8" thick continuous poured concrete (2500 psi) perimeter collar.
- Backfill with clean earth, free of roots and debris.
- Finished bottom is to be 2" minimum of suitable material or undisturbed earth.
- 3" wide, 3" thick concrete deck is to be poured at a slope of 1/8" to 1' away from the pool.
- NO DIVING labels are to be installed around the perimeter of the pool.
- A safety line, with buoys, is to be permanently attached 10' to the shallow side of the point of first slope change.
- Suction entrapment avoidance to be installed in accordance with APSP/ANSI/ICC-7

16' x 34' x 25' Right Lagoon

Perimeter	102'-5"	page	
Surface Area	569.72 SF		
Volume	14800 gal	1 of 3	
Liner Sq. Ft.	654.9167 SF		

ITEM #	PART DESCRIPTION	No Stairs	6'R x 12'W Stair	8'R Plastic Step
04162	8' Radius Panel - 6'3"	4	4	3
04476	8' Radius Skimmer - 6'3"	1	1	1
04167	8' Radius Return - 6'3"	1	1	2
04441	8' Radius Panel - 4'2"	2	2	2
04133	8' Radius Panel - 3'1 1/2"	2	2	2
04437	6' Radius Panel - 6'3"	2		
04439	6' Radius Return - 6'3"	1		
04485	6' Radius Panel - 5'3"			2
04474	6' Radius Panel - 1'11"		2	
04300	10' Reverse Radius - 5'2 1/4"	2	2	2
04165	8' Reverse Radius - 6'3"	3	3	3
04114	2' Plain Panel	1	1	1
----	Adjustable A-Frame	9	9	11
04021B	6'R x 12'W Steel Stair		1	
07418RSNR	8' Radius Step-n-Rest			1
PAK-75	Nut & Bolt Pak - 75 pcs			
PAK-100	Nut & Bolt Pak - 100 pcs	2	2	2
04134	8' Radius Light - 6'3"			

ALL DIMENSIONS ARE FINISH DIMENSIONS

** see page A5 (full steel) & A6 (Nexus) for Radius Inside Steel Stair Filler specifications
 ** Coping Layouts are shown on pages A74 (Progressive) & A101 (CP2)

FROM A TO:

D	42'-4 1/2"
E	18'-11 3/4"
F	31'-2 1/2"
G	28'-5 3/4"
H	14'-4 3/4"
J	36'-11 1/2"
K	42'-3 3/4"
N1	11'-2"
N2	32'-9 1/4"
P	16'-7 1/4"
P1	13'-0 1/2"
Q	21'-0 1/2"
R	22'-11"
R1	26'-11 1/2"
S	31'-7 3/4"
T	18'-0 3/4"
U	36'-3 1/4"

FROM B TO:

C	42'-3 1/2"
E	11'-5 3/4"
F	27'-0 1/2"
G	33'-11 1/2"
H	27'
J	18'-3 3/4"
K	43'
N1	24'-3"
N2	13'-9 1/4"
P	15'-3 1/2"
P1	18'-6 1/2"
Q	25'-5"
R	11'-6"
R1	10'-10 1/4"
S	20'-10 1/4"
T	7'-4 1/4"
U	35'-0 1/4"

FROM C TO:

B	42'-3 1/2"
E	31'-0 1/4"
F	19'-2"
G	8'-5 1/4"
H	19'-9 3/4"
J	37'-1 1/2"
K	13'-4 1/2"
N1	23'-6 1/2"
N2	36'-7"
P	27'-8 3/4"
P1	26'-4 1/4"
Q	17'-0 3/4"
R	31'-1"
R1	33'-8 1/2"
S	27'-1 3/4"
T	38'-3 1/2"
U	14'-5"

FROM D TO:

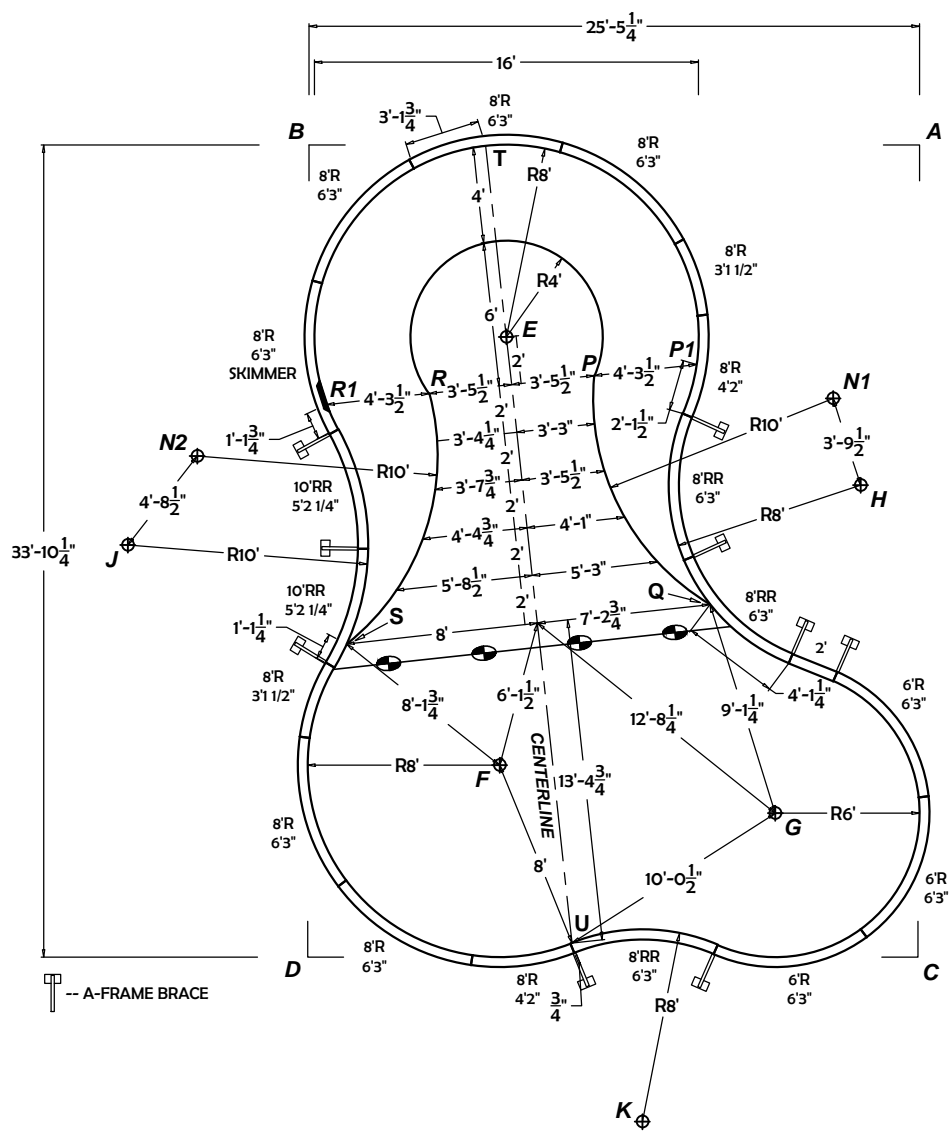
A	42'-4 1/2"
E	27'-1 3/4"
F	11'-3 3/4"
G	20'-4 3/4"
H	30'-3 1/2"
J	18'-8 3/4"
K	15'-6 1/2"
N1	31'-11 1/2"
N2	21'-4 1/2"
P	27'-0 1/4"
P1	29'-6 1/2"
Q	22'-3 1/2"
R	24'-0 1/4"
R1	23'-0 1/2"
S	13'-1 3/4"
T	34'-7 1/4"
U	11'-0 1/2"

FROM T TO:

E	8'
F	25'-9 3/4"
G	30'-3 3/4"
H	21'-0 3/4"
J	22'-4"
K	41'-2"
N1	17'-10 3/4"
N2	17'-7 3/4"
P	10'-7"
P1	12'-7 3/4"
Q	21'-3 1/4"
R	10'-7"
R1	12'-7 3/4"
S	21'-6 1/2"

FROM U TO:

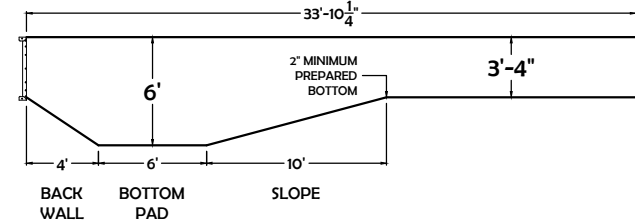
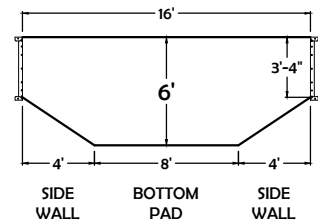
E	25'-4 3/4"
F	8'
G	10'-0 1/2"
H	22'-6 1/2"
J	24'-10 1/4"
K	8'
N1	25'-2"
N2	25'-7 1/4"
P	23'-8"
P1	24'-7 3/4"
Q	15'-2 3/4"
R	23'-8"
R1	24'-7 3/4"
S	15'-7 1/4"



NO DIVING PERMITTED INTO THIS POOL
 The bottom configuration shown conforms with current ISPS & ANSI / APSP / ICC suggested minimum standards for pools NOT approved for diving.

WARNING: Swimming pools can be dangerous if used improperly. Consult your dealer for information on safe use. It's the responsibility of town officials, builders and homeowners to follow safety recommendations of APSP/ANSI, local ordinances & equipment manufacturers.

- All work not specifically shown here is to be done in accordance with the requirements of the 2018 INTERNATIONAL SWIMMING POOL & SPA CODE, APSP/ANSI/ICC-5 2011 STANDARDS FOR RESIDENTIAL INGROUND SWIMMING POOLS, and all other local building codes.
- Construction Drawing: Different methods and precautions may be dictated by various ground conditions. This is to be determined by and is the responsibility of the contractor who is not an agent of the manufacturer of the component parts.
- Depth and shape of the pool meet minimum standards of the 2018 INTERNATIONAL SWIMMING POOL & SPA CODE and the APSP/ANSI/ICC-5 2011 STANDARDS FOR RESIDENTIAL INGROUND SWIMMING POOLS.
- A means of entry & exit for the deep end & shallow end of the pool must be provided in accordance with 2018 INTERNATIONAL SWIMMING POOL & SPA CODE, section 809.
- Equipotential bonding must be provided in accordance with the NATIONAL ELECTRIC CODE, NFPA 70.
- All A-frame braces are to be contained within an 8" thick continuous poured concrete (2500 psi) perimeter collar.
- Backfill with clean earth, free of roots and debris.
- Finished bottom is to be 2" minimum of suitable material or undisturbed earth.
- 3" wide, 3" thick concrete deck is to be poured at a slope of 1/4" to 1' away from the pool.
- NO DIVING labels are to be installed around the perimeter of the pool.
- A safety line, with buoys, is to be permanently attached 10' to the shallow side of the point of first slope change.
- Suction entrapment avoidance to be installed in accordance with APSP/ANSI/ICC-7



16' x 34' x 25' Right Lagoon

ALL DIMENSIONS ARE FINISH DIMENSIONS

4'
4'

Perimeter	102'-5"	page 2 of 3
Surface Area	569.72 SF	
Volume	14800 gal	
Liner Sq. Ft.	654.9167 SF	

A to D	42'-4 1/2"
B to C	

FROM A TO:

E	18'-11 3/4"
F	31'-2 1/2"
G	28'-5 3/4"
H	14'-4 3/4"
J	36'-11 1/2"
K	42'-3 3/4"
W	14'-11"
X	26'-11 1/2"
Y	32'-8 1/4"
Z	22'-7 3/4"

FROM B TO:

E	11'-5 3/4"
F	27'-0 1/2"
G	33'-11 1/2"
H	27'
J	18'-3 3/4"
K	43'
W	19'-2"
X	11'-11"
Y	21'-9 1/2"
Z	31'-3"

FROM C TO:

E	31'-0 1/4"
F	19'-2"
G	8'-5 1/4"
H	19'-9 3/4"
J	37'-1 1/2"
K	13'-4 1/2"
W	24'-8 1/4"
X	32'-8"
Y	27'-1 3/4"
Z	12'-0 1/4"

FROM D TO:

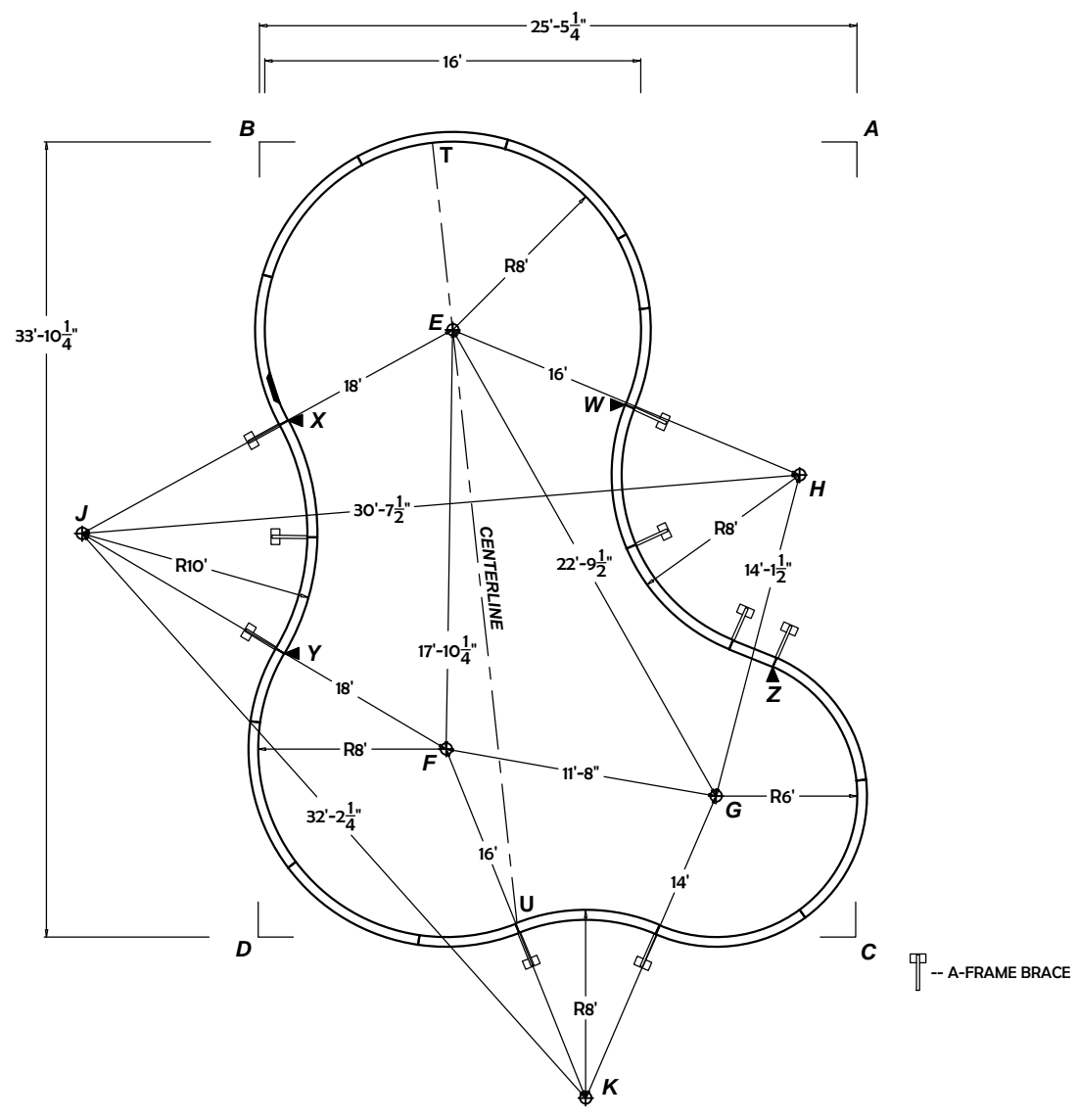
E	27'-1 3/4"
F	11'-3 3/4"
G	20'-4 3/4"
H	30'-3 1/2"
J	18'-8 3/4"
K	15'-6 1/2"
W	27'-6 1/4"
X	22'-0 1/4"
Y	12'-1 1/2"
Z	24'-8 3/4"

FROM T TO:

E	8'
F	25'-9 3/4"
G	30'-3 3/4"
H	21'-0 3/4"
J	22'-4"
K	41'-2"
W	13'-10"
X	22'-0 1/4"
Y	22'-7 1/2"
Z	26'-7"

FROM U TO:

E	25'-4 3/4"
F	8'
G	10'-0 1/2"
H	22'-6 1/2"
J	24'-10 1/4"
K	8'
W	22'-6 1/2"
X	23'-6 1/4"
Y	15'-2"
Z	15'-4 3/4"



NO DIVING PERMITTED INTO THIS POOL

The bottom configuration shown conforms with current ISPSC & ANSI / APSP / ICC suggested minimum standards for pools NOT approved for diving.

WARNING: Swimming pools can be dangerous if used improperly. Consult your dealer for information on safe use. It's the responsibility of town officials, builders and homeowners to follow safety recommendations of APSP/ANSI, local ordinances & equipment manufacturers.

- All work not specifically shown here is to be done in accordance with the requirements of the 2018 INTERNATIONAL SWIMMING POOL & SPA CODE, APSP/ANSI/ICC-5 2011 STANDARDS FOR RESIDENTIAL INGROUND SWIMMING POOLS, and all other local building codes.
- Construction Drawing: Different methods and precautions may be dictated by various ground conditions. This is to be determined by and is the responsibility of the contractor who is not an agent of the manufacturer of the component parts.
- Depth and shape of the pool meet minimum standards of the 2018 INTERNATIONAL SWIMMING POOL & SPA CODE and the APSP/ANSI/ICC-5 2011 STANDARDS FOR RESIDENTIAL INGROUND SWIMMING POOLS.
- A means of entry & exit for the deep end & shallow end of the pool must be provided in accordance with 2018 INTERNATIONAL SWIMMING POOL & SPA CODE, section 809.
- Equipotential bonding must be provided in accordance with the NATIONAL ELECTRIC CODE, NFPA 70.
- All A-frame braces are to be contained within an 8" thick continuous poured concrete (2500 psi) perimeter collar.
- Backfill with clean earth, free of roots and debris.
- Finished bottom is to be 2" minimum of suitable material or undisturbed earth.
- 3' wide, 3" thick concrete deck is to be poured at a slope of 1/4" to 1' away from the pool.
- NO DIVING labels are to be installed around the perimeter of the pool.
- A safety line, with buoys, is to be permanently attached 10' to the shallow side of the point of first slope change.
- Suction entrapment avoidance to be installed in accordance with APSP/ANSI/ICC-7

16' x 34' x 25' Right Lagoon

Perimeter	102'-5"	page 3 of 3
Surface Area	569.72 SF	
Volume	14800 gal	
Liner Sq. Ft.	654.9167 SF	

ALL DIMENSIONS ARE FINISH DIMENSIONS

** see page A5 (full steel) & A6 (Nexus) for Radius Inside Steel Stair Filler specifications
 ** Coping Layouts are shown on pages A74 (Progressive) & A101 (CP2)

FROM A TO:

W	14'-11"
X	26'-11 1/2"
Y	32'-8 1/4"
Z	22'-7 3/4"

FROM B TO:

W	19'-2"
X	11'-11"
Y	21'-9 1/2"
Z	31'-3"

A to D 42'-4 1/2"
B to C

FROM C TO:

W	24'-8 1/4"
X	32'-8"
Y	27'-1 3/4"
Z	12'-0 1/4"

FROM D TO:

W	27'-6 1/4"
X	22'-0 1/4"
Y	12'-1 1/2"
Z	24'-8 3/4"

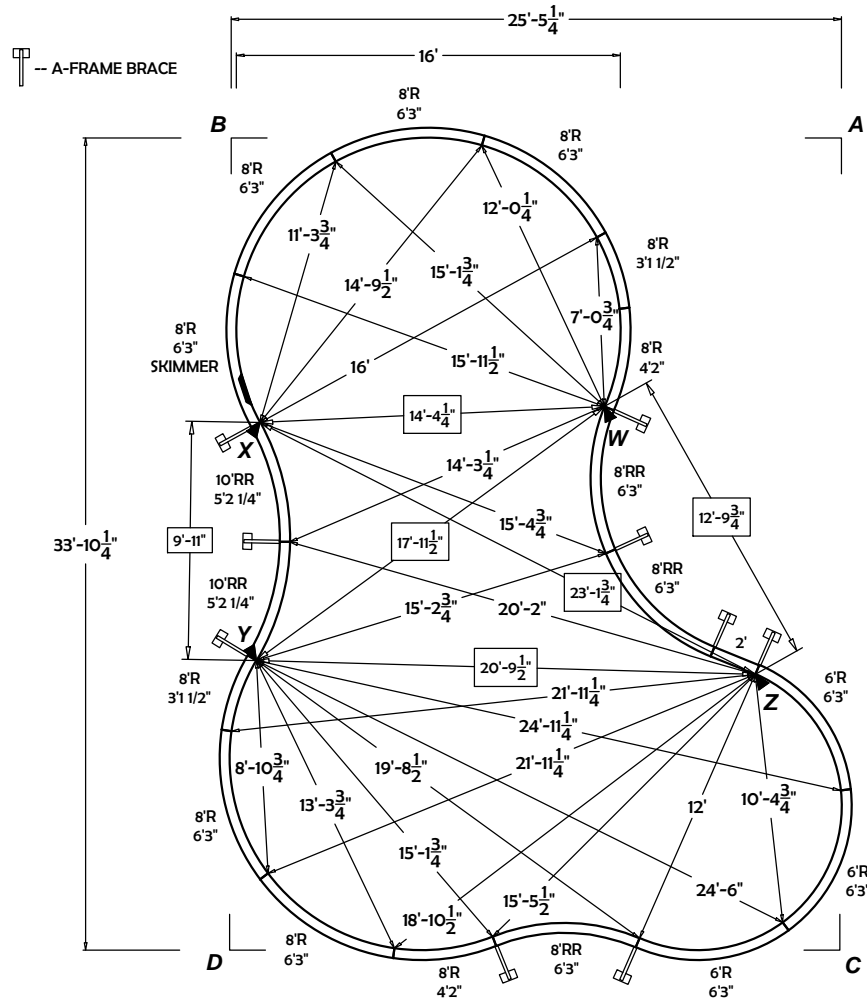
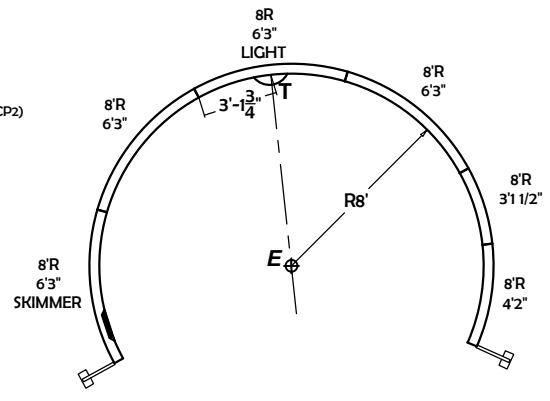
FROM T TO:

W	13'-10"
X	13'-3 3/4"
Y	22'-7 1/2"
Z	26'-7"

FROM U TO:

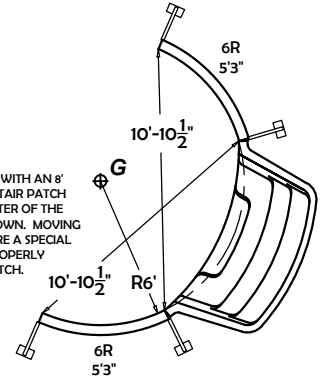
W	22'-6 1/2"
X	23'-6 1/4"
Y	15'-2"
Z	15'-4 3/4"

LIGHT PANEL OPTION



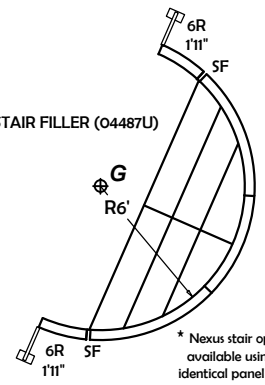
8' RADIUS PLASTIC STEP OPTION

NOTE: LINER IS MADE WITH AN 8' RADIUS STEP-IN-REST STAIR PATCH LOCATED AT THE CENTER OF THE SHALLOW END AS SHOWN. MOVING THE STEP WILL REQUIRE A SPECIAL LINER BE MADE TO PROPERLY LOCATE THE STAIR PATCH.



6'R x 12'W STEEL STAIR OPTION

SF--FREE FORM STAIR FILLER (04487U)



* Nexus stair option is available using the identical panel layout

NO DIVING PERMITTED INTO THIS POOL

The bottom configuration shown conforms with current ISPSC & ANSI / APSP / ICC suggested minimum standards for pools NOT approved for diving.

WARNING: Swimming pools can be dangerous if used improperly. Consult your dealer for information on safe use. It's the responsibility of town officials, builders and homeowners to follow safety recommendations of APSP/ANSI, local ordinances & equipment manufacturers.

- All work not specifically shown here is to be done in accordance with the requirements of the 2018 INTERNATIONAL SWIMMING POOL & SPA CODE, APSP/ANSI/ICC-5 2011 STANDARDS FOR RESIDENTIAL INGROUND SWIMMING POOLS, and all other local building codes.
- Construction Drawing: Different methods and precautions may be dictated by various ground conditions. This is to be determined by and is the responsibility of the contractor who is not an agent of the manufacturer of the component parts.
- Depth and shape of the pool meet minimum standards of the 2018 INTERNATIONAL SWIMMING POOL & SPA CODE and the APSP/ANSI/ICC-5 2011 STANDARDS FOR RESIDENTIAL INGROUND SWIMMING POOLS.
- A means of entry & exit for the deep end & shallow end of the pool must be provided in accordance with 2018 INTERNATIONAL SWIMMING POOL & SPA CODE, section 809.
- Equipotential bonding must be provided in accordance with the NATIONAL ELECTRIC CODE, NFPA 70.
- All A-frame braces are to be contained within an 8" thick continuous poured concrete (2500 psi) perimeter collar.
- Backfill with clean earth, free of roots and debris.
- Finished bottom is to be 2" minimum of suitable material or undisturbed earth.
- 3" wide, 3" thick concrete deck is to be poured at a slope of 1/8" to 1' away from the pool.
- NO DIVING labels are to be installed around the perimeter of the pool.
- A safety line, with buoys, is to be permanently attached 10' to the shallow side of the point of first slope change.
- Suction entrapment avoidance to be installed in accordance with APSP/ANSI/ICC-7

18' x 37' x 29' Left Lagoon

Perimeter	111'-7"	page	
Surface Area	729.26 SF		
Volume	22100 gal	1 of 3	
Liner Sq. Ft.	835.1667 SF		

ITEM #	PART DESCRIPTION	No Stairs	8'R x 14'W Stair	8'R Plastic Step
04170	9' Radius Panel - 6'3"	4	4	4
04172	9' Radius Skimmer - 6'3"	2	2	2
04176	9' Radius Return - 6'3"	2	2	2
04175	9' Radius Panel - 3'9 3/4"	1	1	1
04173	9' Radius Panel - 3'1 1/2"	1	1	1
04162	8' Radius Panel - 6'3"	3		1
04167	8' Radius Return - 6'3"	1		1
04441	8' Radius Panel - 4'2"		2	
04164	8' Radius Panel - 2'3"			2
04301	10' Reverse Radius - 6'3"	1	1	1
04300	10' Reverse Radius - 5'2 1/4"	2	2	2
04165	8' Reverse Radius - 6'3"	2	2	2
----	Adjustable A-Frame	8	8	10
04010B	8'R x 14'W Steel Stair	1		
07418RSNR	8' Radius Step-n-Rest			1
PAK-75	Nut & Bolt Pak - 75 pcs	3	3	3
PAK-100	Nut & Bolt Pak - 100 pcs			
04444	9' Radius Light - 6'3"			

ALL DIMENSIONS ARE FINISH DIMENSIONS

** see page A5 (full steel) & A6 (Nexus) for Radius Inside Steel Stair Filler specifications

** Coping Layouts are shown on pages A75 (Progressive) & A102 (CP2)

FROM A TO:

D	46'-8 3/4"
E	21'-5 3/4"
F	34'-1 3/4"
G	30'
H	14'-0 1/4"
J	40'-5 1/2"
K	47'-11 3/4"
N1	11'-1 1/4"
N2	40'-5 1/4"
P	17'-0 3/4"
P1	13'-4"
Q	22'-0 1/4"
R	26'-5 3/4"
R1	30'-5 1/4"
S	38'-8 3/4"
T	21'-4 1/4"
U	38'-6 1/2"

FROM B TO:

C	46'-8 3/4"
E	12'-10 1/4"
F	29'-3 3/4"
G	35'-6 1/2"
H	28'-11 1/4"
J	19'-9"
K	48'-3 3/4"
N1	27'-2"
N2	17'-8 1/4"
P	16'-9 1/4"
P1	19'-10 1/2"
Q	31'-7 1/2"
R	11'-10 3/4"
R1	11'-10"
S	26'-2 1/2"
T	7'-4"
U	38'-10 3/4"

FROM C TO:

B	46'-8 3/4"
E	34'-0 1/2"
F	21'-7 1/2"
G	11'-3 3/4"
H	23'-5 1/2"
J	40'-7"
K	16'-5 3/4"
N1	26'-7 3/4"
N2	43'-1 3/4"
P	31'-5 3/4"
P1	30'-7 1/2"
Q	16'-5 1/4"
R	35'-4 3/4"
R1	37'-7 3/4"
S	30'-5 1/2"
T	42'-5 3/4"
U	13'-10 3/4"

FROM D TO:

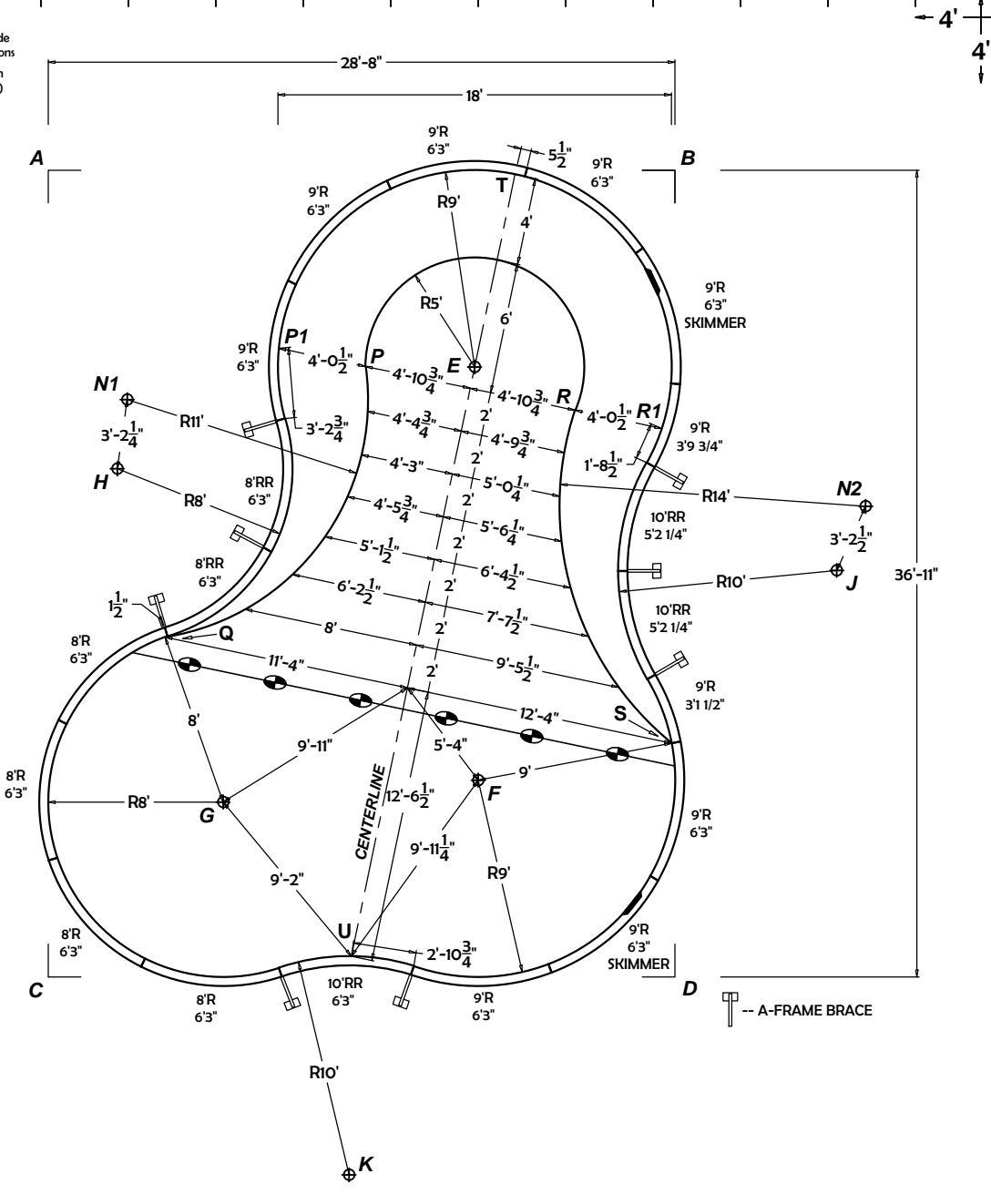
A	46'-8 3/4"
E	29'-4 1/2"
F	12'-8 3/4"
G	22'-2"
H	34'-6 1/4"
J	20'-0 1/4"
K	17'-5 1/4"
N1	36'-5"
N2	23'-2 3/4"
P	31'-3 3/4"
P1	34'
Q	28'-0 1/2"
R	26'-4"
R1	25'-1 1/4"
S	10'-8 1/2"
T	37'-5 1/4"
U	14'-10"

FROM T TO:

E	9'
F	27'-9 1/4"
G	31'-8"
H	22'-7 1/2"
J	23'-4"
K	46'-4 3/4"
N1	20'-6 1/4"
N2	22'-1"
P	11'-1 3/4"
P1	13'-5"
Q	26'-6 1/2"
R	11'-1 3/4"
R1	13'-5"
S	26'-11 3/4"

FROM U TO:

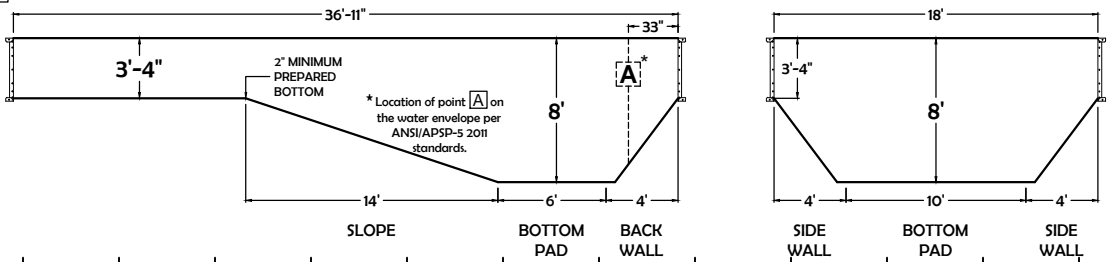
E	27'-6 1/2"
F	9'-11 1/4"
G	9'-2"
H	24'-8 3/4"
J	28'-4 1/2"
K	10'
N1	27'-5 1/2"
N2	31'-3"
P	27'
P1	28'-0 1/4"
Q	16'-10 3/4"
R	27'
R1	28'-0 1/4"
S	17'-7 1/4"



DIVING PERMITTED ONLY FROM DESIGNATED DIVING AREA.
The bottom configuration shown conforms with current ISPCS & ANSI / APSP / ICC suggested minimum standards for pools approved for use with manufactured diving equipment.

WARNING: Swimming pools can be dangerous if used improperly. Consult your dealer for information on safe use. It's the responsibility of town officials, builders and homeowners to follow safety recommendations of APSP/ANSI, local ordinances & equipment manufacturers.

- All work not specifically shown here is to be done in accordance with the requirements of the 2018 INTERNATIONAL SWIMMING POOL & SPA CODE, APSP/ANSI/ICC-5 2011 STANDARDS FOR RESIDENTIAL INGROUND SWIMMING POOLS, and all other local building codes.
- Construction Drawing: Different methods and precautions may be dictated by various ground conditions. This is to be determined by and is the responsibility of the contractor who is not an agent of the manufacturer of the component parts.
- Depth and shape of the pool meet minimum standards of the 2018 INTERNATIONAL SWIMMING POOL & SPA CODE and the APSP/ANSI/ICC-5 2011 STANDARDS FOR RESIDENTIAL INGROUND SWIMMING POOLS.
- A means of entry & exit for the deep end & shallow end of the pool must be provided in accordance with 2018 INTERNATIONAL SWIMMING POOL & SPA CODE, section 809.
- Equipotential bonding must be provided in accordance with the NATIONAL ELECTRIC CODE, NFPA 70.
- All A-frame braces are to be contained within an 8" thick continuous poured concrete (2500 psi) perimeter collar.
- Backfill with clean earth, free of roots and debris.
- Finished bottom is to be 2" minimum of suitable material or undisturbed earth.
- 3" wide, 3" thick concrete deck is to be poured at a slope of 1/4" to 1' away from the pool.
- NO DIVING labels are to be installed around the perimeter of the pool.
- A safety line, with buoys, is to be permanently attached 10' to the shallow side of the point of first slope change.
- Suction entrapment avoidance to be installed in accordance with APSP/ANSI/ICC-7



18' x 37' x 29' Left Lagoon

ALL DIMENSIONS ARE FINISH DIMENSIONS

4'
4'

Perimeter	111'-7"	page 2 of 3
Surface Area	729.26 SF	
Volume	22100 gal	
Liner Sq. Ft.	835.1667 SF	

A to D 46'-8 3/4"

FROM A TO:

E	21'-5 3/4"
F	34'-1 3/4"
G	30'
H	14'-0 1/4"
J	40'-5 1/2"
K	47'-11 3/4"
W	15'-8 1/4"
X	30'-5 1/2"
Y	35'-11 1/2"
Z	22'

FROM B TO:

E	12'-10 1/4"
F	29'-3 3/4"
G	35'-6 1/2"
H	28'-11 1/4"
J	19'-9"
K	48'-3 3/4"
W	21'-2"
X	13'-5 1/4"
Y	23'-4"
Z	31'-6 1/4"

FROM C TO:

E	34'-0 1/2"
F	21'-7 1/2"
G	11'-3 3/4"
H	23'-5 1/2"
J	40'-7"
K	16'-5 3/4"
W	27'-9"
X	36'-1 1/4"
Y	30'-7 1/4"
Z	16'-6 1/4"

FROM D TO:

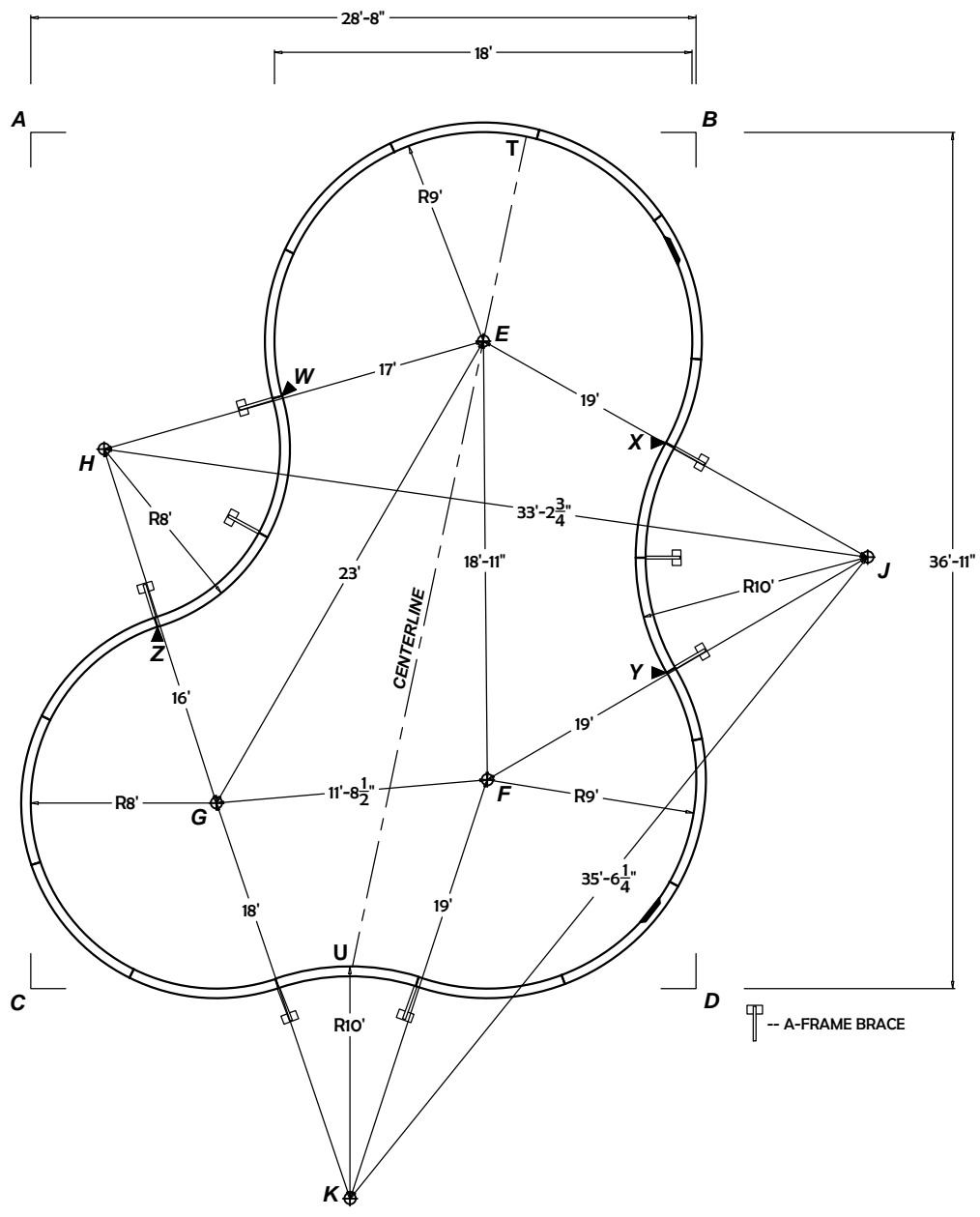
E	29'-4 1/2"
F	12'-8 3/4"
G	22'-2"
H	34'-6 1/4"
J	20'-0 1/4"
K	17'-5 1/4"
W	31'-2"
X	23'-6 3/4"
Y	13'-8"
Z	27'-11 1/2"

FROM T TO:

E	9'
F	27'-9 1/4"
G	31'-8"
H	22'-7 1/2"
J	23'-4"
K	46'-4 3/4"
W	15'-4 1/4"
X	23'-10 1/2"
Y	26'-5 1/4"

FROM U TO:

E	27'-6 1/2"
F	9'-11 1/4"
G	9'-2"
H	24'-8 3/4"
J	28'-4 1/2"
K	10'
W	24'-9 1/2"
X	26'-3 3/4"
Y	18'-6 1/2"
Z	16'-10 1/2"



DIVING PERMITTED ONLY FROM DESIGNATED DIVING AREA.
The bottom configuration shown conforms with current ISPSC & ANSI / APSP / ICC suggested minimum standards for pools approved for use with manufactured diving equipment.

WARNING: Swimming pools can be dangerous if used improperly. Consult your dealer for information on safe use. It's the responsibility of town officials, builders and homeowners to follow safety recommendations of APSP/ANSI, local ordinances & equipment manufacturers.

- All work not specifically shown here is to be done in accordance with the requirements of the 2018 INTERNATIONAL SWIMMING POOL & SPA CODE, APSP/ANSI/ICC-5 2011 STANDARDS FOR RESIDENTIAL INGROUND SWIMMING POOLS, and all other local building codes.
- Construction Drawing: Different methods and precautions may be dictated by various ground conditions. This is to be determined by and is the responsibility of the contractor who is not an agent of the manufacturer of the component parts.
- Depth and shape of the pool meet minimum standards of the 2018 INTERNATIONAL SWIMMING POOL & SPA CODE and the APSP/ANSI/ICC-5 2011 STANDARDS FOR RESIDENTIAL INGROUND SWIMMING POOLS.
- A means of entry & exit for the deep end & shallow end of the pool must be provided in accordance with 2018 INTERNATIONAL SWIMMING POOL & SPA CODE, section 809.
- Equipotential bonding must be provided in accordance with the NATIONAL ELECTRIC CODE, NFPA 70.
- All A-frame braces are to be contained within an 8" thick continuous poured concrete (2500 psi) perimeter collar.
- Backfill with clean earth, free of roots and debris.
- Finished bottom is to be 2" minimum of suitable material or undisturbed earth.
- 3' wide, 3" thick concrete deck is to be poured at a slope of 1/4" to 1' away from the pool.
- NO DIVING labels are to be installed around the perimeter of the pool.
- A safety line, with buoys, is to be permanently attached 10' to the shallow side of the point of first slope change.
- Suction entrapment avoidance to be installed in accordance with APSP/ANSI/ICC-7

18' x 37' x 29' Left Lagoon

Perimeter	111'-7"	page 3 of 3
Surface Area	729.26 SF	
Volume	22100 gal	
Liner Sq. Ft.	835.1667 SF	

ALL DIMENSIONS ARE FINISH DIMENSIONS

** see page A5 (full steel) & A6 (Nexus) for Radius Inside Steel Stair Filler specifications
** Coping Layouts are shown on pages A75 (Progressive) & A102 (CP2)

FROM A TO:

W	15'-8 1/4"
X	30'-5 1/2"
Y	35'-11 1/2"
Z	22'

FROM B TO:

W	21'-2"
X	13'-5 1/4"
Y	23'-4"
Z	31'-6 1/4"

A to D	46'-8 3/4"
B to C	

FROM C TO:

W	27'-9"
X	36'-1 1/4"
Y	30'-7 1/4"
Z	16'-6 1/4"

FROM D TO:

W	31'-2"
X	23'-6 3/4"
Y	13'-8"
Z	27'-11 1/2"

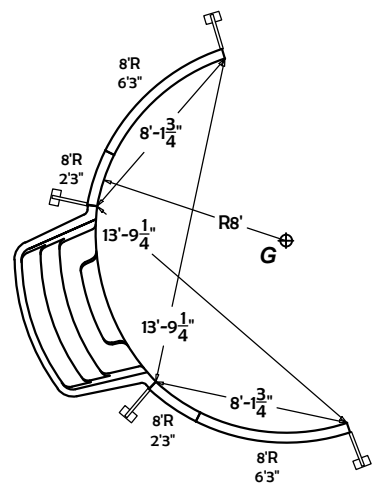
FROM T TO:

W	15'-4 1/4"
X	14'-6"
Y	23'-10 1/2"
Z	26'-5 1/4"

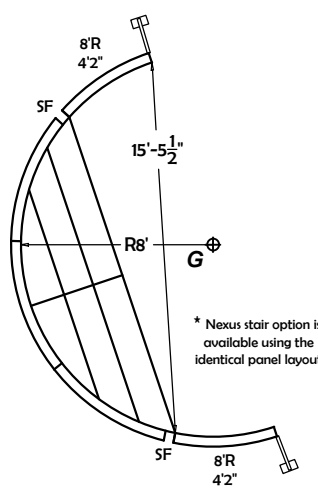
FROM U TO:

W	24'-9 1/2"
X	26'-3 3/4"
Y	18'-6 1/2"
Z	16'-10 1/2"

8' RADIUS PLASTIC STEP OPTION

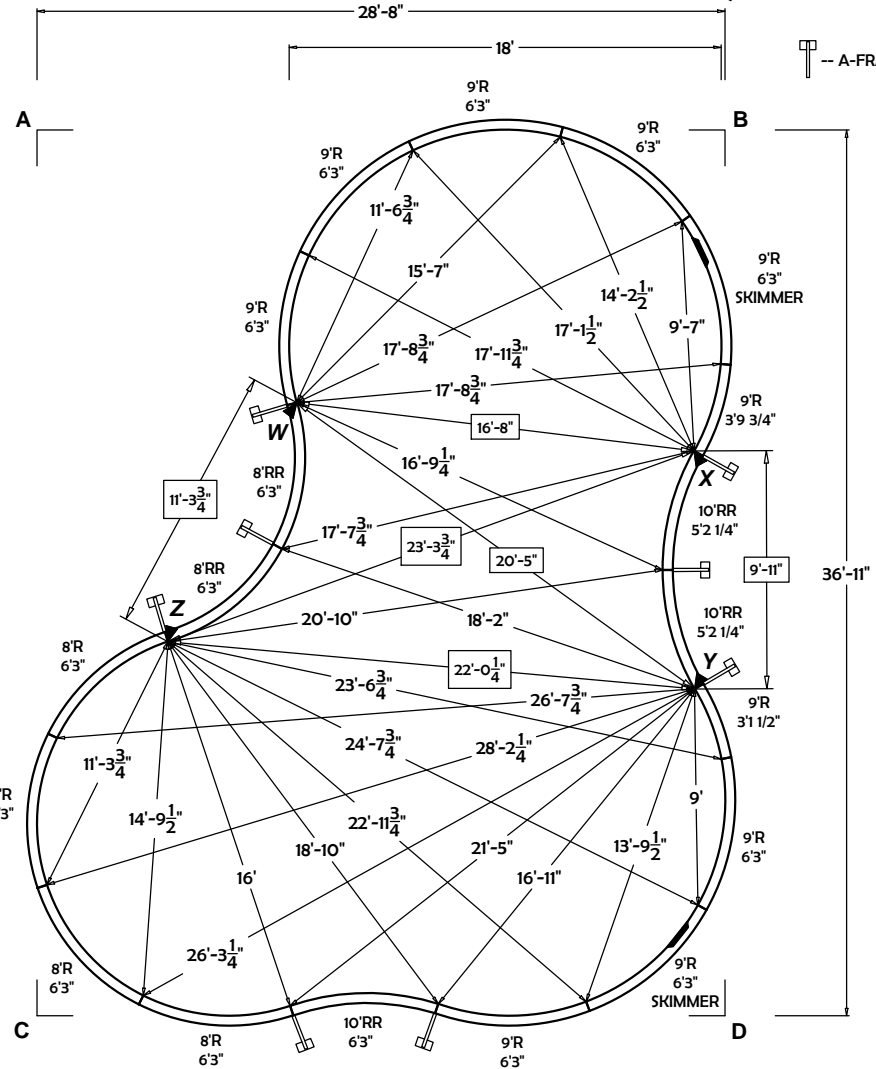
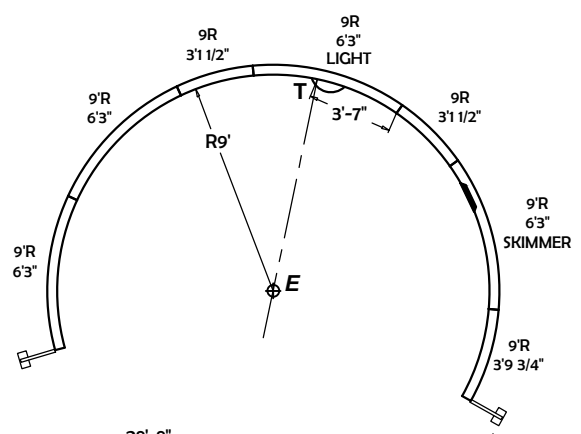


8' R x 14' W STEEL STAIR OPTION



* Nexus stair option is available using the identical panel layout

LIGHT PANEL OPTION



-- A-FRAME BRACE

DIVING PERMITTED ONLY FROM DESIGNATED DIVING AREA.
The bottom configuration shown conforms with current ISPSC & ANSI / APSP / ICC suggested minimum standards for pools approved for use with manufactured diving equipment.

WARNING: Swimming pools can be dangerous if used improperly. Consult your dealer for information on safe use. It's the responsibility of town officials, builders and homeowners to follow safety recommendations of APSP/ANSI, local ordinances & equipment manufacturers.

- All work not specifically shown here is to be done in accordance with the requirements of the 2018 INTERNATIONAL SWIMMING POOL & SPA CODE, APSP/ANSI/ICC-5 2011 STANDARDS FOR RESIDENTIAL INGROUND SWIMMING POOLS, and all other local building codes.
- Construction Drawing: Different methods and precautions may be dictated by various ground conditions. This is to be determined by and is the responsibility of the contractor who is not an agent of the manufacturer of the component parts.
- Depth and shape of the pool meet minimum standards of the 2018 INTERNATIONAL SWIMMING POOL & SPA CODE and the APSP/ANSI/ICC-5 2011 STANDARDS FOR RESIDENTIAL INGROUND SWIMMING POOLS.
- A means of entry & exit for the deep end & shallow end of the pool must be provided in accordance with 2018 INTERNATIONAL SWIMMING POOL & SPA CODE, section 809.
- Equipotential bonding must be provided in accordance with the NATIONAL ELECTRIC CODE, NFPA 70.
- All A-frame braces are to be contained within an 8" thick continuous poured concrete (2500 psi) perimeter collar.
- Backfill with clean earth, free of roots and debris.
- Finished bottom is to be 2" minimum of suitable material or undisturbed earth.
- 3' wide, 3" thick concrete deck is to be poured at a slope of 1/4" to 1' away from the pool. NO DIVING labels are to be installed around the perimeter of the pool.
- A safety line, with buoys, is to be permanently attached 10' to the shallow side of the point of first slope change.
- Suction entrapment avoidance to be installed in accordance with APSP/ANSI/ICC-7

SF--FREE FORM STAIR FILLER (04376U)

18' x 37' x 29' Right Lagoon

Perimeter	111'-7"	page	
Surface Area	729.26 SF		
Volume	22100 gal	1 of 3	
Liner Sq. Ft.	835.1667 SF		

ITEM #	PART DESCRIPTION	No Stairs	8'R x 14'W Stair	8'R Plastic Step
04170	9' Radius Panel - 6'3"	4	4	4
04172	9' Radius Skimmer - 6'3"	2	2	2
04176	9' Radius Return - 6'3"	2	2	2
04175	9' Radius Panel - 3'9 3/4"	1	1	1
04173	9' Radius Panel - 3'1 1/2"	1	1	1
04162	8' Radius Panel - 6'3"	3		1
04167	8' Radius Return - 6'3"	1		1
04441	8' Radius Panel - 4'2"		2	
04164	8' Radius Panel - 2'3"			2
04301	10' Reverse Radius - 6'3"	1	1	1
04300	10' Reverse Radius - 5'2 1/4"	2	2	2
04165	8' Reverse Radius - 6'3"	2	2	2
----	Adjustable A-Frame	8	8	10
04010B	8'R x 14'W Steel Stair	1		
07418RSNR	8' Radius Step-n-Rest			1
PAK-75	Nut & Bolt Pak - 75 pcs	3	3	3
PAK-100	Nut & Bolt Pak - 100 pcs			
04444	9' Radius Light - 6'3"			

ALL DIMENSIONS ARE FINISH DIMENSIONS

** see page A5 (full steel) & A6 (Nexus) for Radius Inside Steel Stair Filler specifications
 ** Coping Layouts are shown on pages A75 (Progressive) & A102 (CP2)

FROM A TO:

D	46'-8 3/4"
E	21'-5 3/4"
F	34'-1 3/4"
G	30'
H	14'-0 1/4"
J	40'-5 1/2"
K	47'-11 3/4"
N1	11'-1 1/4"
N2	40'-5 1/4"
P	17'-0 3/4"
P1	13'-4"
Q	22'-0 1/4"
R	26'-5 3/4"
R1	30'-5 1/4"
S	38'-8 3/4"
T	21'-4 1/4"
U	38'-6 1/2"

FROM B TO:

C	46'-8 3/4"
E	12'-10 1/4"
F	29'-3 3/4"
G	35'-6 1/2"
H	28'-11 1/4"
J	19'-9"
K	48'-3 3/4"
N1	27'-2"
N2	17'-8 1/4"
P	16'-9 1/4"
P1	19'-10 1/2"
Q	31'-7 1/2"
R	11'-10 3/4"
R1	11'-10"
S	26'-2 1/2"
T	7'-4"
U	38'-10 3/4"

FROM C TO:

B	46'-8 3/4"
E	34'-0 1/2"
F	21'-7 1/2"
G	11'-3 3/4"
H	23'-5 1/2"
J	40'-7"
K	16'-5 3/4"
N1	26'-7 3/4"
N2	43'-1 3/4"
P	31'-5 3/4"
P1	30'-7 1/2"
Q	16'-5 1/4"
R	35'-4 3/4"
R1	37'-7 3/4"
S	30'-5 1/2"
T	42'-5 3/4"
U	13'-10 3/4"

FROM D TO:

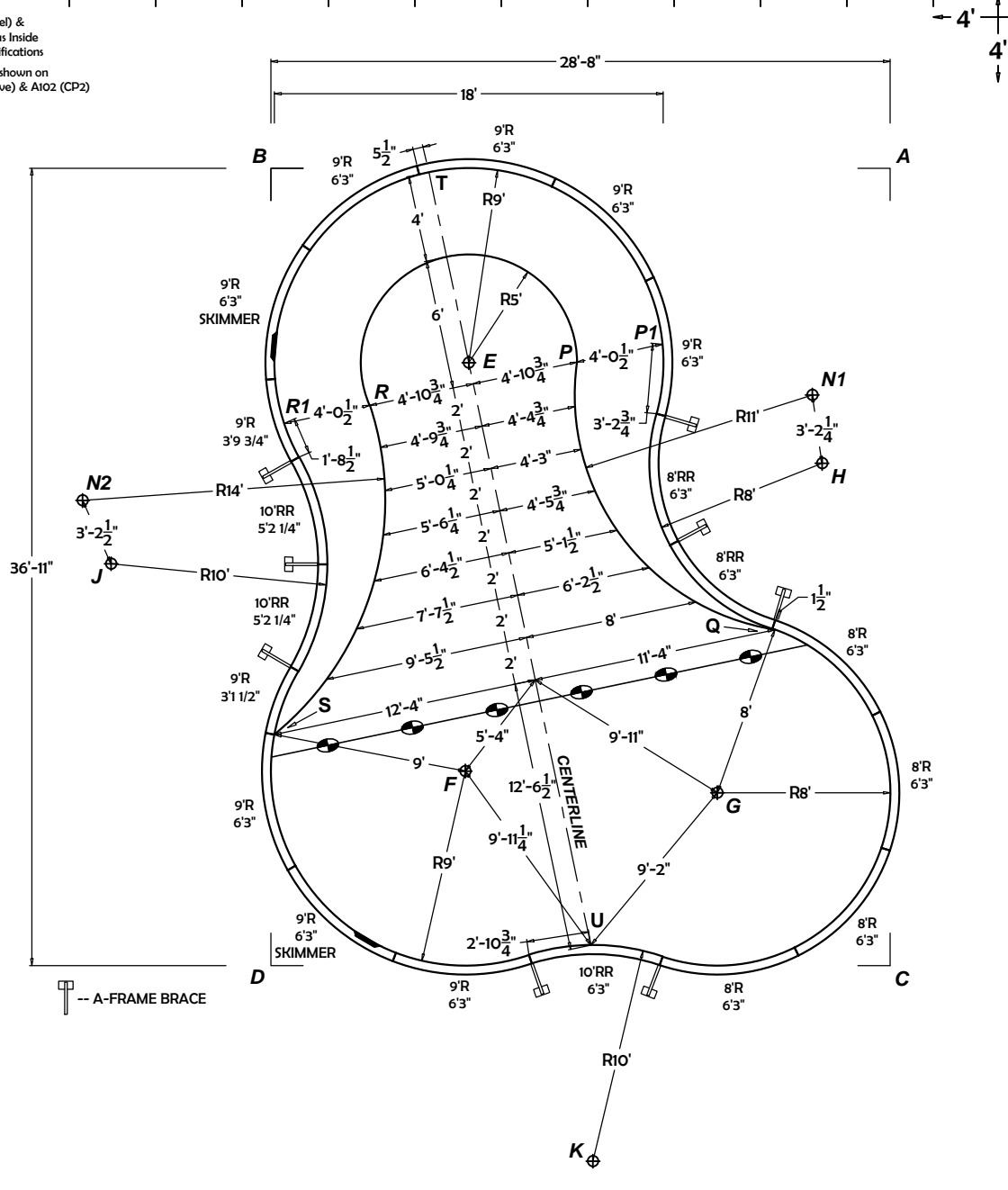
A	46'-8 3/4"
E	29'-4 1/2"
F	12'-8 3/4"
G	22'-2"
H	34'-6 1/4"
J	20'-0 1/4"
K	17'-5 1/4"
N1	36'-5"
N2	23'-2 3/4"
P	31'-3 3/4"
P1	34'
Q	28'-0 1/2"
R	26'-4"
R1	25'-1 1/4"
S	10'-8 1/2"
T	37'-5 1/4"
U	14'-10"

FROM T TO:

E	9'
F	27'-9 1/4"
G	31'-8"
H	22'-7 1/2"
J	23'-4"
K	46'-4 3/4"
N1	20'-6 1/4"
N2	22'-1"
P	11'-1 3/4"
P1	13'-5"
Q	26'-6 1/2"
R	11'-1 3/4"
R1	13'-5"
S	26'-11 3/4"

FROM U TO:

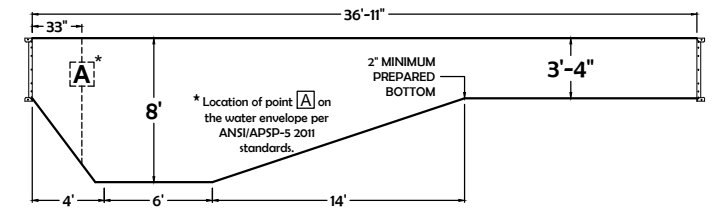
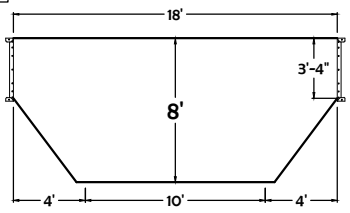
E	27'-6 1/2"
F	9'-11 1/4"
G	9'-2"
H	24'-8 3/4"
J	28'-4 1/2"
K	10'
N1	27'-5 1/2"
N2	31'-3"
P	27'
P1	28'-0 1/4"
Q	16'-10 3/4"
R	27'
R1	28'-0 1/4"
S	17'-7 1/4"



DIVING PERMITTED ONLY FROM DESIGNATED DIVING AREA.
 The bottom configuration shown conforms with current ISPS & ANSI / APSP / ICC suggested minimum standards for pools approved for use with manufactured diving equipment.

WARNING: Swimming pools can be dangerous if used improperly. Consult your dealer for information on safe use. It's the responsibility of town officials, builders and homeowners to follow safety recommendations of APSP/ANSI, local ordinances & equipment manufacturers.

- All work not specifically shown here is to be done in accordance with the requirements of the 2018 INTERNATIONAL SWIMMING POOL & SPA CODE, APSP/ANSI/ICC-5 2011 STANDARDS FOR RESIDENTIAL INGROUND SWIMMING POOLS, and all other local building codes.
- Construction Drawing: Different methods and precautions may be dictated by various ground conditions. This is to be determined by and is the responsibility of the contractor who is not an agent of the manufacturer of the component parts.
- Depth and shape of the pool meet minimum standards of the 2018 INTERNATIONAL SWIMMING POOL & SPA CODE and the APSP/ANSI/ICC-5 2011 STANDARDS FOR RESIDENTIAL INGROUND SWIMMING POOLS.
- A means of entry & exit for the deep end & shallow end of the pool must be provided in accordance with 2018 INTERNATIONAL SWIMMING POOL & SPA CODE, section 809.
- Equipotential bonding must be provided in accordance with the NATIONAL ELECTRIC CODE, NFPA 70.
- All A-frame braces are to be contained within an 8" thick continuous poured concrete (2500 psi) perimeter collar.
- Backfill with clean earth, free of roots and debris.
- Finished bottom is to be 2" minimum of suitable material or undisturbed earth.
- 3" wide, 3" thick concrete deck is to be poured at a slope of 1/4" to 1' away from the pool.
- NO DIVING labels are to be installed around the perimeter of the pool.
- A safety line, with buoys, is to be permanently attached 10' to the shallow side of the point of first slope change.
- Suction entrapment avoidance to be installed in accordance with APSP/ANSI/ICC-7



18' x 37' x 29' Right Lagoon

Perimeter	111'-7"	page 3 of 3
Surface Area	729.26 SF	
Volume	22100 gal	
Liner Sq. Ft.	835.1667 SF	

ALL DIMENSIONS ARE FINISH DIMENSIONS

** see page A5 (full steel) & A6 (Nexus) for Radius Inside Steel Stair Filler specifications
 ** Coping Layouts are shown on pages A75 (Progressive) & A102 (CP2)

FROM A TO:

W	15'-8 1/4"
X	30'-5 1/2"
Y	35'-11 1/2"
Z	22'

FROM B TO:

W	21'-2"
X	13'-5 1/4"
Y	23'-4"
Z	31'-6 1/4"

A to D 46'-8 3/4"
B to C

FROM C TO:

W	27'-9"
X	36'-1 1/4"
Y	30'-7 1/4"
Z	16'-6 1/4"

FROM D TO:

W	31'-2"
X	23'-6 3/4"
Y	13'-8"
Z	27'-11 1/2"

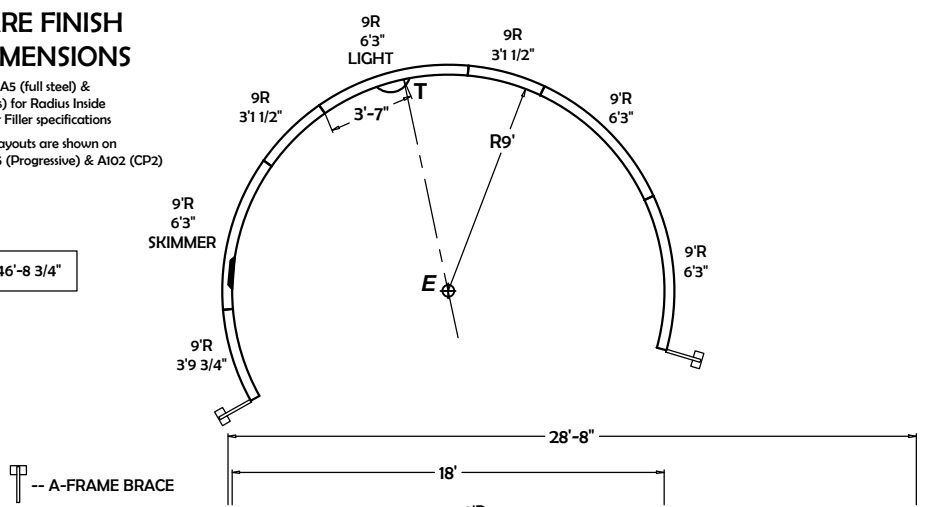
FROM T TO:

W	15'-4 1/4"
X	14'-6"
Y	23'-10 1/2"
Z	26'-5 1/4"

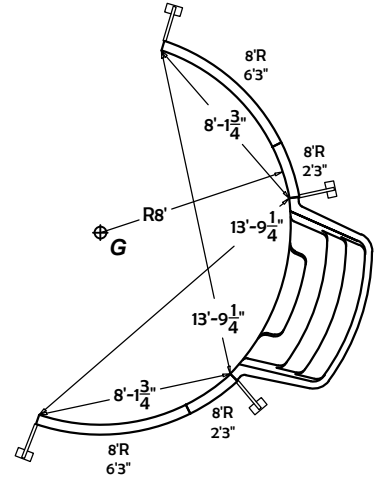
FROM U TO:

W	24'-9 1/2"
X	26'-3 3/4"
Y	18'-6 1/2"
Z	16'-10 1/2"

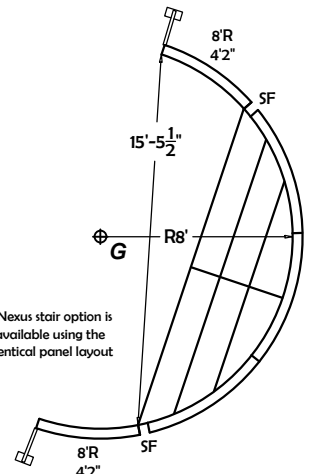
LIGHT PANEL OPTION



8' RADIUS PLASTIC STEP OPTION



8'R x 14'W STEEL STAIR OPTION



* Nexus stair option is available using the identical panel layout

SF--FREE FORM STAIR FILLER (O4376U)

DIVING PERMITTED ONLY FROM DESIGNATED DIVING AREA.
 The bottom configuration shown conforms with current ISPS & ANSI / APSP / ICC suggested minimum standards for pools approved for use with manufactured diving equipment.

WARNING: Swimming pools can be dangerous if used improperly. Consult your dealer for information on safe use. It's the responsibility of town officials, builders and homeowners to follow safety recommendations of APSP/ANSI, local ordinances & equipment manufacturers.

- All work not specifically shown here is to be done in accordance with the requirements of the 2018 INTERNATIONAL SWIMMING POOL & SPA CODE, APSP/ANSI/ICC-5 2011 STANDARDS FOR RESIDENTIAL INGROUND SWIMMING POOLS, and all other local building codes.
- Construction Drawing: Different methods and precautions may be dictated by various ground conditions. This is to be determined by and is the responsibility of the contractor who is not an agent of the manufacturer of the component parts.
- Depth and shape of the pool meet minimum standards of the 2018 INTERNATIONAL SWIMMING POOL & SPA CODE and the APSP/ANSI/ICC-5 2011 STANDARDS FOR RESIDENTIAL INGROUND SWIMMING POOLS.
- A means of entry & exit for the deep end & shallow end of the pool must be provided in accordance with 2018 INTERNATIONAL SWIMMING POOL & SPA CODE, section 809.
- Equipotential bonding must be provided in accordance with the NATIONAL ELECTRIC CODE, NFPA 70.
- All A-frame braces are to be contained within an 8" thick continuous poured concrete (2500 psi) perimeter collar.
- Backfill with clean earth, free of roots and debris.
- Finished bottom is to be 2" minimum of suitable material or undisturbed earth.
- 3" wide, 3" thick concrete deck is to be poured at a slope of 1/4" to 1' away from the pool. NO DIVING labels are to be installed around the perimeter of the pool.
- A safety line, with buoys, is to be permanently attached 10' to the shallow side of the point of first slope change.
- Suction entrapment avoidance to be installed in accordance with APSP/ANSI/ICC-7

20' x 42' x 31' Left Lagoon

Perimeter	124'-5"	page	
Surface Area	875.99 SF		
Volume	268500 gal	1 of 3	
Liner Sq. Ft.	1008.6667 SF		

ITEM #	PART DESCRIPTION	No Stairs	8'R x 14'W Stair	8'R Plastic Step
04159	10' Radius Panel - 6'3"	4	4	4
04477	10' Radius Skimmer - 6'3"	2	2	2
04160	10' Radius Return - 6'3"	2	2	2
04445	10' Radius Panel - 5'4"	1	1	1
04302	10' Radius Panel - 3'5 1/2"	3	3	3
04162	8' Radius Panel - 6'3"	3		1
04167	8' Radius Return - 6'3"	1		1
04441	8' Radius Panel - 4'2"		2	
04164	8' Radius Panel - 2'3"			2
04301	10' Reverse Radius - 6'3"	1	1	1
04300	10' Reverse Radius - 5'2 1/4"	4	4	4
04165	8' Reverse Radius - 6'3"	1	1	1
----	Adjustable A-Frame	9	9	11
04010B	8'R x 14'W Steel Stair		1	
07418RSNR	8' Radius Step-n-Rest			1
PAK-75	Nut & Bolt Pak - 75 pcs	2	2	2
PAK-100	Nut & Bolt Pak - 100 pcs	1	1	1
04446	10' Radius Light - 6'3"			

DIVING PERMITTED ONLY FROM DESIGNATED DIVING AREA.
The bottom configuration shown conforms with current ISPOC & ANSI / APSP / ICC suggested minimum standards for pools approved for use with manufactured diving equipment.

WARNING: Swimming pools can be dangerous if used improperly. Consult your dealer for information on safe use. It's the responsibility of town officials, builders and homeowners to follow safety recommendations of APSP/ANSI, local ordinances & equipment manufacturers.

- All work not specifically shown here is to be done in accordance with the requirements of the 2018 INTERNATIONAL SWIMMING POOL & SPA CODE, APSP/ANSI/ICC-5 2011 STANDARDS FOR RESIDENTIAL INGROUND SWIMMING POOLS, and all other local building codes.
- Construction Drawing: Different methods and precautions may be dictated by various ground conditions. This is to be determined by and is the responsibility of the contractor who is not an agent of the manufacturer of the component parts.
- Depth and shape of the pool meet minimum standards of the 2018 INTERNATIONAL SWIMMING POOL & SPA CODE and the APSP/ANSI/ICC-5 2011 STANDARDS FOR RESIDENTIAL INGROUND SWIMMING POOLS.
- A means of entry & exit for the deep end & shallow end of the pool must be provided in accordance with 2018 INTERNATIONAL SWIMMING POOL & SPA CODE, section 809.
- Equipotential bonding must be provided in accordance with the NATIONAL ELECTRIC CODE, NFPA 70.
- All A-frame braces are to be contained within an 8" thick continuous poured concrete (2500 psi) perimeter collar.
- Backfill with clean earth, free of roots and debris.
- Finished bottom is to be 2" minimum of suitable material or undisturbed earth.
- 3" wide, 3" thick concrete deck is to be poured at a slope of 1/4" to 1' away from the pool.
- NO DIVING labels are to be installed around the perimeter of the pool.
- A safety line, with buoys, is to be permanently attached 10' to the shallow side of the point of first slope change.
- Suction entrapment avoidance to be installed in accordance with APSP/ANSI/ICC-7

ALL DIMENSIONS ARE FINISH DIMENSIONS

FROM A TO:

D	51'-11"
E	22'-2 1/4"
F	38'
G	34'-8 1/4"
H	17'-2"
J	42'-2"
K	50'-6 1/2"
N1	13'-7"
N2	41'-1 1/4"
P	18'-1 1/2"
P1	14'-11"
Q	26'-0 1/2"
R	28'-2 1/4"
R1	32'-1"
S	39'-11 3/4"
T	20'-8"
U	44'-6"

FROM B TO:

C	51'-11"
E	14'-10 3/4"
F	33'-3 1/2"
G	40'-9 1/4"
H	34'-3 3/4"
J	21'-0 1/4"
K	51'-3 1/4"
N1	32'-7 1/2"
N2	17'-11 1/2"
P	20'-5"
P1	23'-9 1/4"
Q	34'-4 1/4"
R	13'-8"
R1	12'-10 3/4"
S	26'-11"
T	10'-2 1/2"
U	43'-3 1/4"

FROM C TO:

B	51'-11"
E	37'-5 1/4"
F	23'-1 1/2"
G	11'-3 3/4"
H	24'-8"
J	42'-11 1/2"
K	15'-9"
N1	28'-3"
N2	45'-2 1/2"
P	33'-4"
P1	32'-1 3/4"
Q	18'-3 1/2"
R	38'-8 1/4"
R1	41'-3"
S	33'-1 1/2"
T	46'-6 3/4"
U	17'-2 1/4"

FROM D TO:

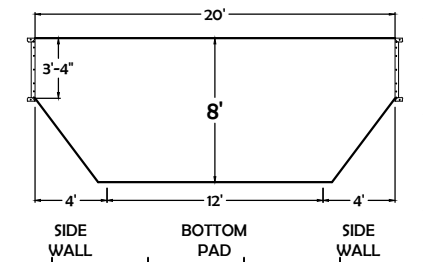
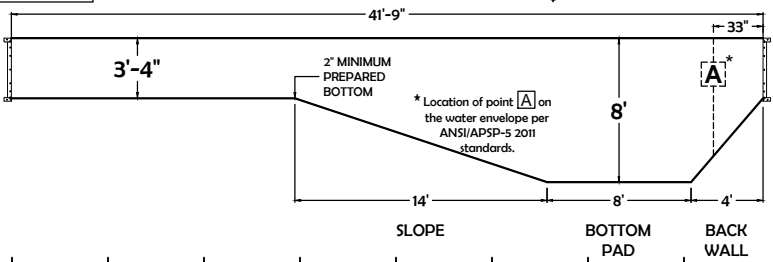
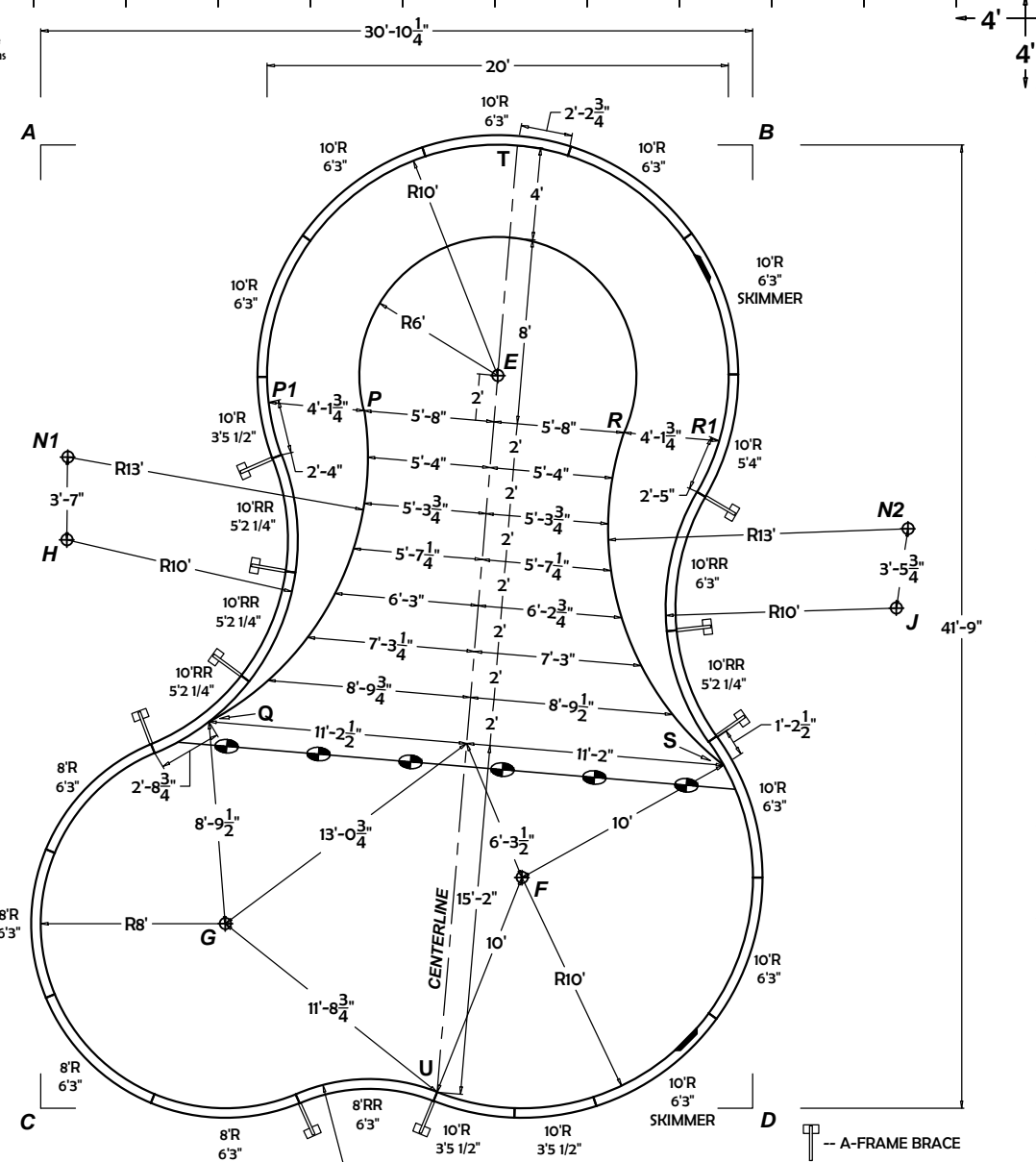
A	51'-11"
E	33'-7 1/2"
F	14'-1 3/4"
G	24'-2 1/2"
H	38'-7 1/4"
J	22'-6 3/4"
K	17'-11 1/4"
N1	40'-11 3/4"
N2	26'
P	34'-7 1/2"
P1	37'-1 1/4"
Q	28'-11"
R	29'-9 3/4"
R1	28'-11 3/4"
S	14'-11"
T	42'-11 1/2"
U	13'-8 1/2"

FROM T TO:

E	10'
F	31'-8 3/4"
G	36'-0 1/4"
H	25'-11 1/2"
J	25'-11"
K	48'-10 1/2"
N1	23'-8 1/2"
N2	23'-8 1/2"
P	13'-3 1/4"
P1	15'-6"
Q	28'-3 3/4"
R	13'-3 1/4"
R1	15'-6"
S	28'-3 1/2"

FROM U TO:

E	31'-2"
F	10'
G	11'-8 3/4"
H	28'-9 3/4"
J	28'-11 1/4"
K	8'
N1	31'-10 1/4"
N2	31'-10"
P	29'-8 1/2"
P1	30'-9 1/4"
Q	18'-10 1/4"
R	29'-8 1/2"
R1	30'-9 1/4"
S	18'-10"



20' x 42' x 31' Left Lagoon

ALL DIMENSIONS ARE FINISH DIMENSIONS

4'
4'

Perimeter	124'-5"	page 2 of 3
Surface Area	875.99 SF	
Volume	268500 gal	
Liner Sq. Ft.	1008.6667 SF	

A to D	51'-11"
B to C	

FROM A TO:

E	22'-2 1/4"
F	38'
G	34'-8 1/4"
H	17'-2"
J	42'-2"
K	50'-6 1/2"
W	17'
X	32'-2 1/4"
Y	38'-10"
Z	26'-10"

FROM B TO:

E	14'-10 3/4"
F	33'-3 1/2"
G	40'-9 1/4"
H	34'-3 3/4"
J	21'-0 1/4"
K	51'-3 1/4"
W	24'-5 1/2"
X	15'-2 3/4"
Y	25'-11 1/2"
Z	36'-11 3/4"

FROM C TO:

E	37'-5 1/4"
F	23'-1 1/2"
G	11'-3 3/4"
H	24'-8"
J	42'-11 1/2"
K	15'-9"
W	30'-2"
X	39'-0 1/2"
Y	33'-0 1/4"
Z	16'-2"

FROM D TO:

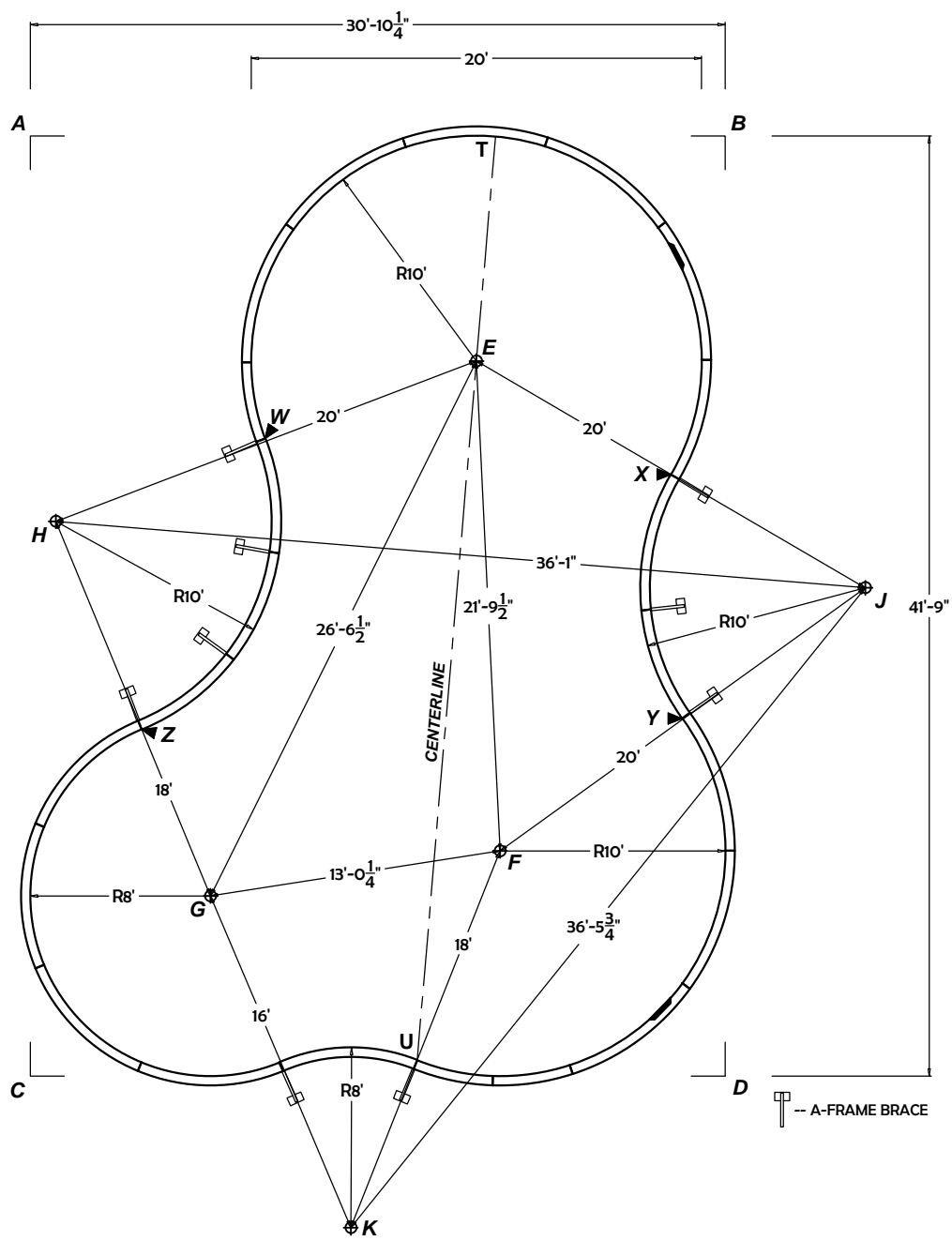
E	33'-7 1/2"
F	14'-1 3/4"
G	24'-2 1/2"
H	38'-7 1/4"
J	22'-6 3/4"
K	17'-11 1/4"
W	34'-11"
X	26'-10"
Y	16'
Z	30'-1 3/4"

FROM T TO:

E	10'
F	31'-8 3/4"
G	36'-0 1/4"
H	25'-11 1/2"
J	25'-11"
K	48'-10 1/2"
W	16'-10 1/2"
X	16'-10 3/4"
Y	27'-1 3/4"
Z	30'-8"

FROM U TO:

E	31'-2"
F	10'
G	11'-8 3/4"
H	28'-9 3/4"
J	28'-11 1/4"
K	8'
W	28'-5 1/4"
X	28'-4 1/4"
Y	19'-2 1/2"
Z	19'-1 1/2"



DIVING PERMITTED ONLY FROM DESIGNATED DIVING AREA.
The bottom configuration shown conforms with current ISPSC & ANSI / APSP / ICC suggested minimum standards for pools approved for use with manufactured diving equipment.

WARNING: Swimming pools can be dangerous if used improperly. Consult your dealer for information on safe use. It's the responsibility of town officials, builders and homeowners to follow safety recommendations of APSP/ANSI, local ordinances & equipment manufacturers.

- All work not specifically shown here is to be done in accordance with the requirements of the 2018 INTERNATIONAL SWIMMING POOL & SPA CODE, APSP/ANSI/ICC-5 2011 STANDARDS FOR RESIDENTIAL INGROUND SWIMMING POOLS, and all other local building codes.
- Construction Drawing: Different methods and precautions may be dictated by various ground conditions. This is to be determined by and is the responsibility of the contractor who is not an agent of the manufacturer of the component parts.
- Depth and shape of the pool meet minimum standards of the 2018 INTERNATIONAL SWIMMING POOL & SPA CODE and the APSP/ANSI/ICC-5 2011 STANDARDS FOR RESIDENTIAL INGROUND SWIMMING POOLS.
- A means of entry & exit for the deep end & shallow end of the pool must be provided in accordance with 2018 INTERNATIONAL SWIMMING POOL & SPA CODE, section 809.
- Equipotential bonding must be provided in accordance with the NATIONAL ELECTRIC CODE, NFPA 70.
- All A-frame braces are to be contained within an 8" thick continuous poured concrete (2500 psi) perimeter collar.
- Backfill with clean earth, free of roots and debris.
- Finished bottom is to be 2" minimum of suitable material or undisturbed earth.
- 3" wide, 3" thick concrete deck is to be poured at a slope of 1/4" to 1' away from the pool.
- NO DIVING labels are to be installed around the perimeter of the pool.
- A safety line, with buoys, is to be permanently attached 10' to the shallow side of the point of first slope change.
- Suction entrapment avoidance to be installed in accordance with APSP/ANSI/ICC-7

20' x 42' x 31' Left Lagoon

Perimeter	124'-5"	page 3 of 3
Surface Area	875.99 SF	
Volume	268500 gal	
Liner Sq. Ft.	1008.6667 SF	

ALL DIMENSIONS ARE FINISH DIMENSIONS

** see page A5 (full steel) & A6 (Nexus) for Radius Inside Steel Stair Filler specifications
** Coping Layouts are shown on pages A75 (Progressive) & A102 (CP2)

FROM A TO:

W	17'
X	32'-2 1/4"
Y	38'-10"
Z	26'-10"

FROM B TO:

W	24'-5 1/2"
X	15'-2 3/4"
Y	25'-11 1/2"
Z	36'-11 3/4"

A to D	51'-11"
B to C	

FROM C TO:

W	30'-2"
X	39'-0 1/2"
Y	33'-0 1/4"
Z	16'-2"

FROM D TO:

W	34'-11"
X	26'-10"
Y	16'
Z	30'-1 3/4"

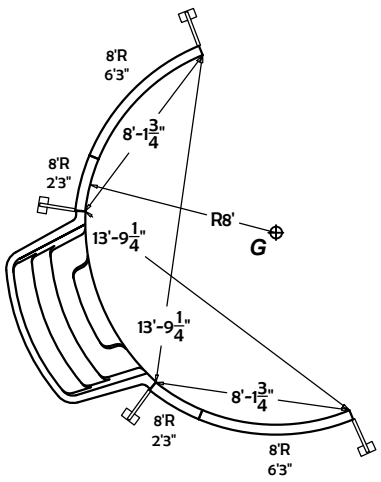
FROM T TO:

W	16'-10 1/2"
X	16'-10 3/4"
Y	27'-1 3/4"
Z	30'-8"

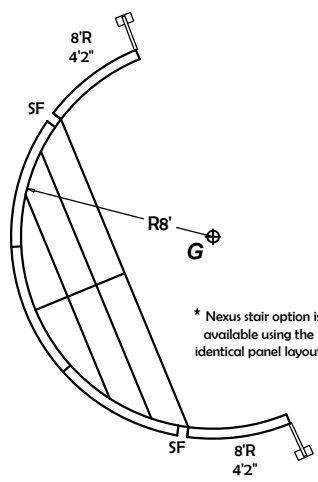
FROM U TO:

W	28'-5 1/4"
X	28'-4 1/4"
Y	19'-2 1/2"
Z	19'-1 1/2"

8' RADIUS PLASTIC STEP OPTION

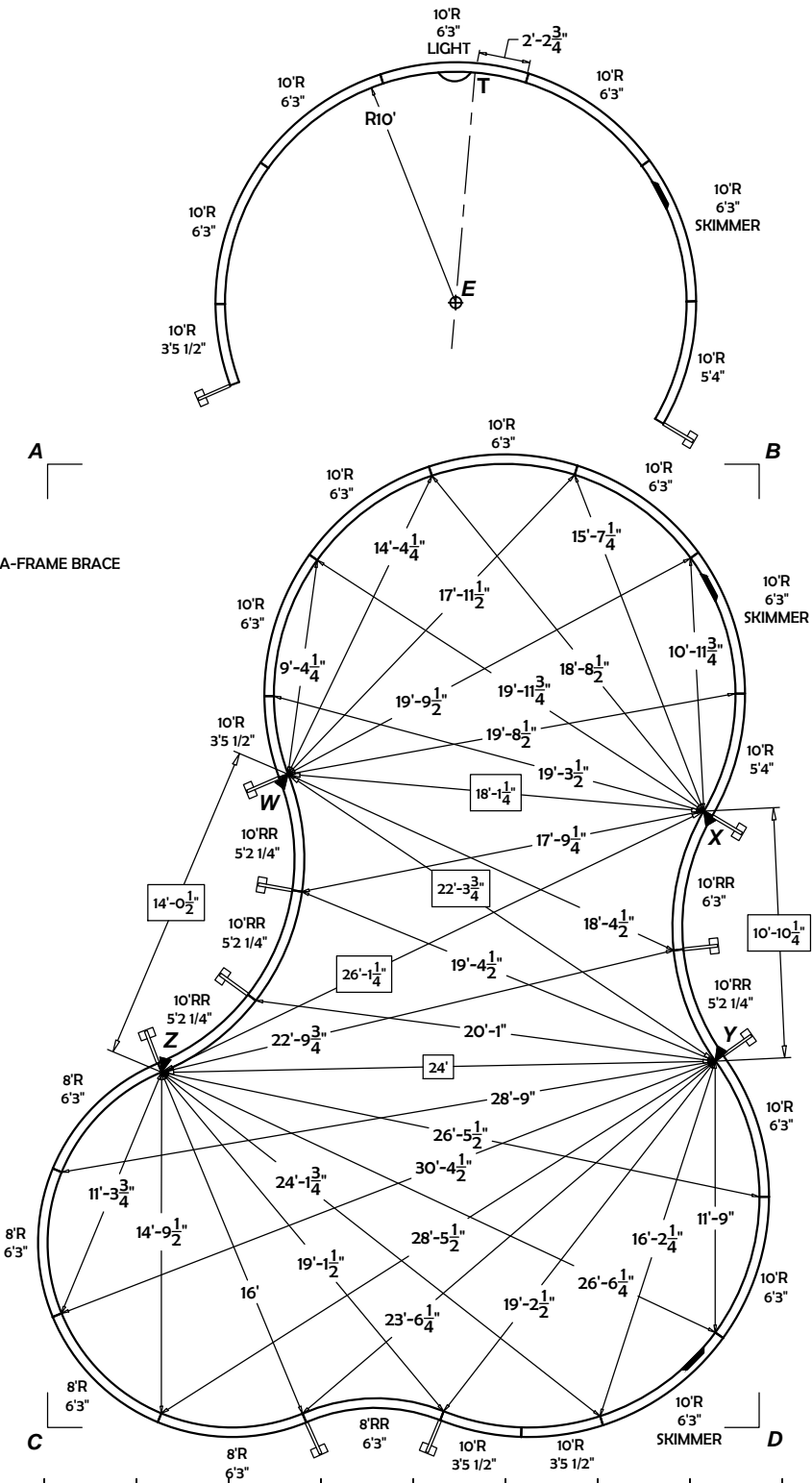


8'R x 14'W STEEL STAIR OPTION



SF--FREE FORM STAIR FILLER (04376U)

LIGHT PANEL OPTION



DIVING PERMITTED ONLY FROM DESIGNATED DIVING AREA.
The bottom configuration shown conforms with current ISPSC & ANSI / APSP / ICC suggested minimum standards for pools approved for use with manufactured diving equipment.

WARNING: Swimming pools can be dangerous if used improperly. Consult your dealer for information on safe use. It's the responsibility of town officials, builders and homeowners to follow safety recommendations of APSP/ANSI, local ordinances & equipment manufacturers.

- All work not specifically shown here is to be done in accordance with the requirements of the 2018 INTERNATIONAL SWIMMING POOL & SPA CODE, APSP/ANSI/ICC-5 2011 STANDARDS FOR RESIDENTIAL INGROUND SWIMMING POOLS, and all other local building codes.
- Construction Drawing: Different methods and precautions may be dictated by various ground conditions. This is to be determined by and is the responsibility of the contractor who is not an agent of the manufacturer of the component parts.
- Depth and shape of the pool meet minimum standards of the 2018 INTERNATIONAL SWIMMING POOL & SPA CODE and the APSP/ANSI/ICC-5 2011 STANDARDS FOR RESIDENTIAL INGROUND SWIMMING POOLS.
- A means of entry & exit for the deep end & shallow end of the pool must be provided in accordance with 2018 INTERNATIONAL SWIMMING POOL & SPA CODE, section 809.
- Equipotential bonding must be provided in accordance with the NATIONAL ELECTRIC CODE, NFPA 70.
- All A-frame braces are to be contained within an 8" thick continuous poured concrete (2500 psi) perimeter collar.
- Backfill with clean earth, free of roots and debris.
- Finished bottom is to be 2" minimum of suitable material or undisturbed earth.
- 3" wide, 3" thick concrete deck is to be poured at a slope of 1/4" to 1' away from the pool.
- NO DIVING labels are to be installed around the perimeter of the pool.
- A safety line, with buoys, is to be permanently attached 10' to the shallow side of the point of first slope change.
- Suction entrapment avoidance to be installed in accordance with APSP/ANSI/ICC-7

20' x 42' x 31' Right Lagoon

Perimeter	124'-5"	page	
Surface Area	875.99 SF		
Volume	268500 gal	1 of 3	
Liner Sq. Ft.	1008.6667 SF		

ITEM #	PART DESCRIPTION	No. Skiffs	8'R x 14'W Stair	8'R Plastic Step
04159	10' Radius Panel - 6'3"	4	4	4
04477	10' Radius Skimmer - 6'3"	2	2	2
04160	10' Radius Return - 6'3"	2	2	2
04445	10' Radius Panel - 5'4"	1	1	1
04302	10' Radius Panel - 3'5 1/2"	3	3	3
04162	8' Radius Panel - 6'3"	3		1
04167	8' Radius Return - 6'3"	1		1
04441	8' Radius Panel - 4'2"		2	
04164	8' Radius Panel - 2'3"			2
04301	10' Reverse Radius - 6'3"	1	1	1
04300	10' Reverse Radius - 5'2 1/4"	4	4	4
04165	8' Reverse Radius - 6'3"	1	1	1
----	Adjustable A-Frame	9	9	11
04010B	8'R x 14'W Steel Stair		1	
07418RSNR	8' Radius Step-n-Rest			1
PAK-75	Nut & Bolt Pak - 75 pcs	2	2	2
PAK-100	Nut & Bolt Pak - 100 pcs	1	1	1
04446	10' Radius Light - 6'3"			

DIVING PERMITTED ONLY FROM DESIGNATED DIVING AREA.
The bottom configuration shown conforms with current ISPC & ANSI / APSP / ICC suggested minimum standards for pools approved for use with manufactured diving equipment.

WARNING: Swimming pools can be dangerous if used improperly. Consult your dealer for information on safe use. It's the responsibility of town officials, builders and homeowners to follow safety recommendations of APSP/ANSI, local ordinances & equipment manufacturers.

- All work not specifically shown here is to be done in accordance with the requirements of the 2018 INTERNATIONAL SWIMMING POOL & SPA CODE, APSP/ANSI/ICC-5 2011 STANDARDS FOR RESIDENTIAL INGROUND SWIMMING POOLS, and all other local building codes.
- Construction Drawing: Different methods and precautions may be dictated by various ground conditions. This is to be determined by and is the responsibility of the contractor who is not an agent of the manufacturer of the component parts.
- Depth and shape of the pool meet minimum standards of the 2018 INTERNATIONAL SWIMMING POOL & SPA CODE and the APSP/ANSI/ICC-5 2011 STANDARDS FOR RESIDENTIAL INGROUND SWIMMING POOLS.
- A means of entry & exit for the deep end & shallow end of the pool must be provided in accordance with 2018 INTERNATIONAL SWIMMING POOL & SPA CODE, section 809.
- Equipotential bonding must be provided in accordance with the NATIONAL ELECTRIC CODE, NFPA 70.
- All A-frame braces are to be contained within an 8" thick continuous poured concrete (2500 psi) perimeter collar.
- Backfill with clean earth, free of roots and debris.
- Finished bottom is to be 2" minimum of suitable material or undisturbed earth.
- 3" wide, 3" thick concrete deck is to be poured at a slope of 1/4" to 1' away from the pool.
- NO DIVING labels are to be installed around the perimeter of the pool.
- A safety line, with buoys, is to be permanently attached 10' to the shallow side of the point of first slope change.
- Suction entrapment avoidance to be installed in accordance with APSP/ANSI/ICC-7

ALL DIMENSIONS ARE FINISH DIMENSIONS

FROM A TO:

D	51'-11"
E	22'-2 1/4"
F	38'
G	34'-8 1/4"
H	17'-2"
J	42'-2"
K	50'-6 1/2"
N1	13'-7"
N2	41'-1 1/4"
P	18'-1 1/2"
P1	14'-11"
Q	26'-0 1/2"
R	28'-2 1/4"
R1	32'-1"
S	39'-11 3/4"
T	20'-8"
U	44'-6"

FROM B TO:

C	51'-11"
E	14'-10 3/4"
F	33'-3 1/2"
G	40'-9 1/4"
H	34'-3 3/4"
J	21'-0 1/4"
K	51'-3 1/4"
N1	32'-7 1/2"
N2	17'-11 1/2"
P	20'-5"
P1	23'-9 1/4"
Q	34'-4 1/4"
R	13'-8"
R1	12'-10 3/4"
S	26'-11"
T	10'-2 1/2"
U	43'-3 1/4"

FROM C TO:

B	51'-11"
E	37'-5 1/4"
F	23'-1 1/2"
G	11'-3 3/4"
H	24'-8"
J	42'-11 1/2"
K	15'-9"
N1	28'-3"
N2	45'-2 1/2"
P	33'-4"
P1	32'-1 3/4"
Q	18'-3 1/2"
R	38'-8 1/4"
R1	41'-3"
S	33'-1 1/2"
T	46'-6 3/4"
U	17'-2 1/4"

FROM D TO:

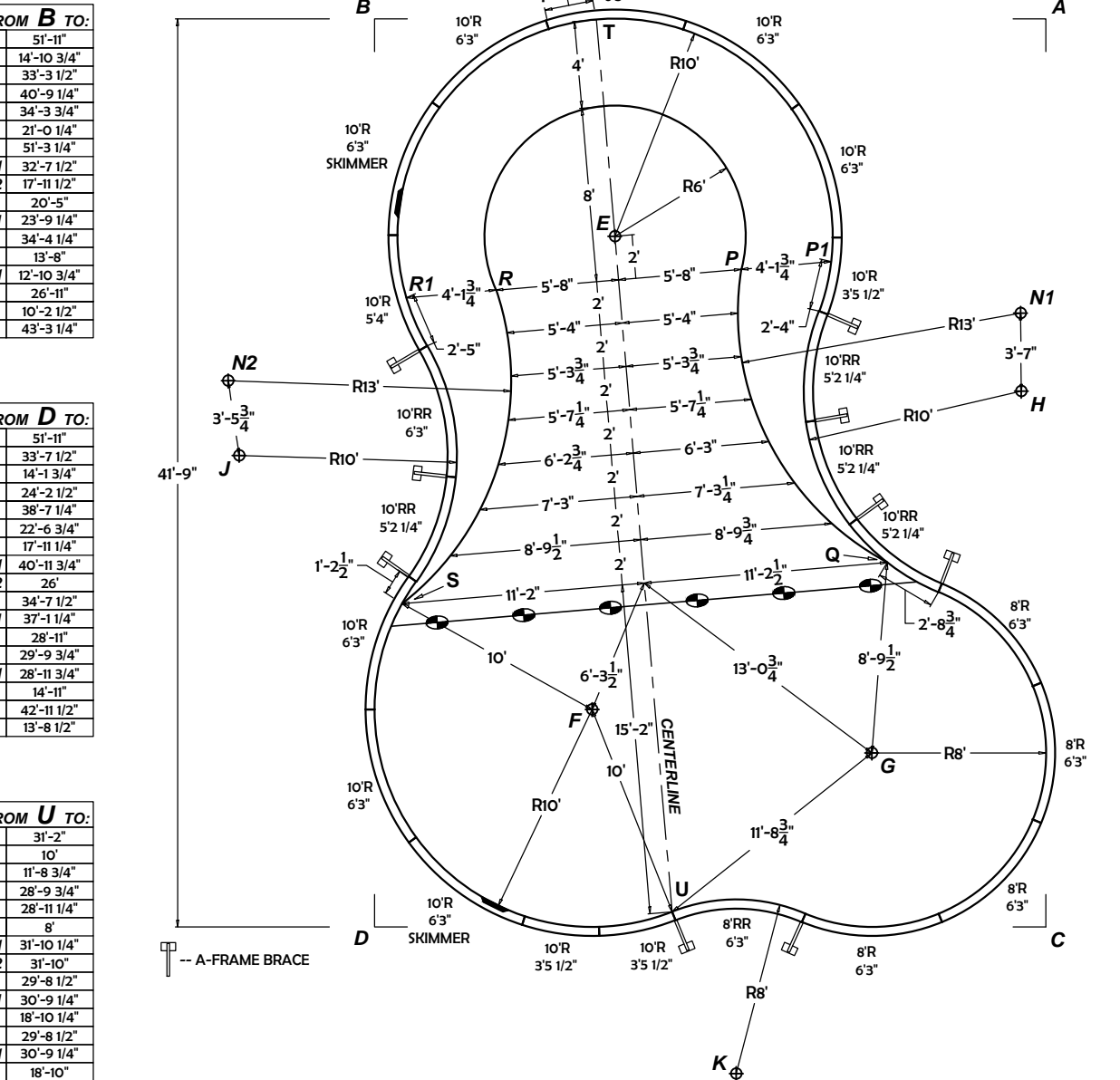
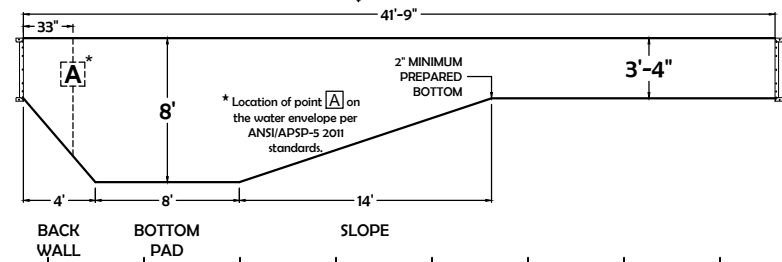
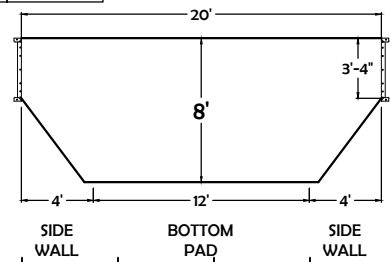
A	51'-11"
E	33'-7 1/2"
F	14'-1 3/4"
G	24'-2 1/2"
H	38'-7 1/4"
J	22'-6 3/4"
K	17'-11 1/4"
N1	40'-11 3/4"
N2	26'
P	34'-7 1/2"
P1	37'-1 1/4"
Q	28'-11"
R	29'-9 3/4"
R1	28'-11 3/4"
S	14'-11"
T	42'-11 1/2"
U	13'-8 1/2"

FROM T TO:

E	10'
F	31'-8 3/4"
G	36'-0 1/4"
H	25'-11 1/2"
J	25'-11"
K	48'-10 1/2"
N1	23'-8 1/2"
N2	23'-8 1/2"
P	13'-3 1/4"
P1	15'-6"
Q	28'-3 3/4"
R	13'-3 1/4"
R1	15'-6"
S	28'-3 1/2"

FROM U TO:

E	31'-2"
F	10'
G	11'-8 3/4"
H	28'-9 3/4"
J	28'-11 1/4"
K	8'
N1	31'-10 1/4"
N2	31'-10"
P	29'-8 1/2"
P1	30'-9 1/4"
Q	18'-10 1/4"
R	29'-8 1/2"
R1	30'-9 1/4"
S	18'-10"



SIDE WALL BOTTOM PAD SIDE WALL BACK WALL BOTTOM PAD SLOPE

20' x 42' x 31' Right Lagoon

ALL DIMENSIONS ARE FINISH DIMENSIONS

4'
4'

Perimeter	124'-5"	page 2 of 3
Surface Area	875.99 SF	
Volume	268500 gal	
Liner Sq. Ft.	1008.6667 SF	

A to D	51'-11"
B to C	

FROM A TO:

E	22'-2 1/4"
F	38'
G	34'-8 1/4"
H	17'-2"
J	42'-2"
K	50'-6 1/2"
W	17'
X	32'-2 1/4"
Y	38'-10"
Z	26'-10"

FROM B TO:

E	14'-10 3/4"
F	33'-3 1/2"
G	40'-9 1/4"
H	34'-3 3/4"
J	21'-0 1/4"
K	51'-3 1/4"
W	24'-5 1/2"
X	15'-2 3/4"
Y	25'-11 1/2"
Z	36'-11 3/4"

FROM C TO:

E	37'-5 1/4"
F	23'-1 1/2"
G	11'-3 3/4"
H	24'-8"
J	42'-11 1/2"
K	15'-9"
W	30'-2"
X	39'-0 1/2"
Y	33'-0 1/4"
Z	16'-2"

FROM D TO:

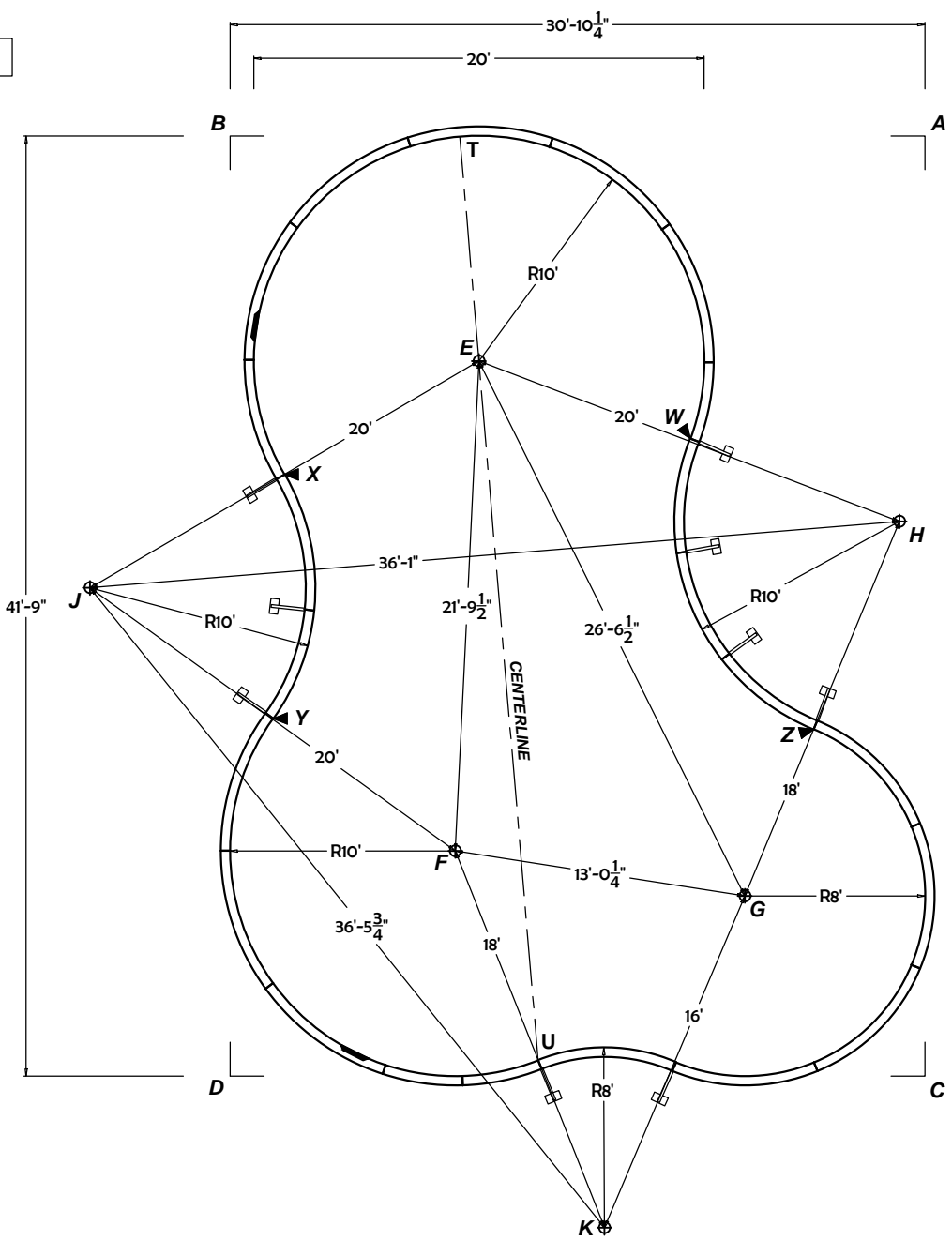
E	33'-7 1/2"
F	14'-1 3/4"
G	24'-2 1/2"
H	38'-7 1/4"
J	22'-6 3/4"
K	17'-11 1/4"
W	34'-11"
X	26'-10"
Y	16'
Z	30'-1 3/4"

FROM T TO:

E	10'
F	31'-8 3/4"
G	36'-0 1/4"
H	25'-11 1/2"
J	25'-11"
K	48'-10 1/2"
W	16'-10 1/2"
X	16'-10 3/4"
Y	27'-1 3/4"
Z	30'-8"

FROM U TO:

E	31'-2"
F	10'
G	11'-8 3/4"
H	28'-9 3/4"
J	28'-11 1/4"
K	8'
W	28'-5 1/4"
X	28'-4 1/4"
Y	19'-2 1/2"
Z	19'-1 1/2"



DIVING PERMITTED ONLY FROM DESIGNATED DIVING AREA.
The bottom configuration shown conforms with current ISPSC & ANSI / APSP / ICC suggested minimum standards for pools approved for use with manufactured diving equipment.

WARNING: Swimming pools can be dangerous if used improperly. Consult your dealer for information on safe use. It's the responsibility of town officials, builders and homeowners to follow safety recommendations of APSP/ANSI, local ordinances & equipment manufacturers.

- All work not specifically shown here is to be done in accordance with the requirements of the 2018 INTERNATIONAL SWIMMING POOL & SPA CODE, APSP/ANSI/ICC-5 2011 STANDARDS FOR RESIDENTIAL INGROUND SWIMMING POOLS, and all other local building codes.
- Construction Drawing: Different methods and precautions may be dictated by various ground conditions. This is to be determined by and is the responsibility of the contractor who is not an agent of the manufacturer of the component parts.
- Depth and shape of the pool meet minimum standards of the 2018 INTERNATIONAL SWIMMING POOL & SPA CODE and the APSP/ANSI/ICC-5 2011 STANDARDS FOR RESIDENTIAL INGROUND SWIMMING POOLS.
- A means of entry & exit for the deep end & shallow end of the pool must be provided in accordance with 2018 INTERNATIONAL SWIMMING POOL & SPA CODE, section 809.
- Equipotential bonding must be provided in accordance with the NATIONAL ELECTRIC CODE, NFPA 70.
- All A-frame braces are to be contained within an 8" thick continuous poured concrete (2500 psi) perimeter collar.
- Backfill with clean earth, free of roots and debris.
- Finished bottom is to be 2" minimum of suitable material or undisturbed earth.
- 3' wide, 3" thick concrete deck is to be poured at a slope of 1/4" to 1' away from the pool.
- NO DIVING labels are to be installed around the perimeter of the pool.
- A safety line, with buoys, is to be permanently attached 10' to the shallow side of the point of first slope change.
- Suction entrapment avoidance to be installed in accordance with APSP/ANSI/ICC-7

-- A-FRAME BRACE

20' x 42' x 31' Right Lagoon

Perimeter	124'-5"	page 3 of 3
Surface Area	875.99 SF	
Volume	268500 gal	
Liner Sq. Ft.	1008.6667 SF	

ALL DIMENSIONS ARE FINISH DIMENSIONS

** see page A5 (full steel) & A6 (Nexus) for Radius Inside Steel Stair Filler specifications
** Coping Layouts are shown on pages A75 (Progressive) & A102 (CP2)

FROM A TO:

W	17'
X	32'-2 1/4"
Y	38'-10"
Z	26'-10"

FROM B TO:

W	24'-5 1/2"
X	15'-2 3/4"
Y	25'-11 1/2"
Z	36'-11 3/4"

A to D 51'-11"
B to C

FROM C TO:

W	30'-2"
X	39'-0 1/2"
Y	33'-0 1/4"
Z	16'-2"

FROM D TO:

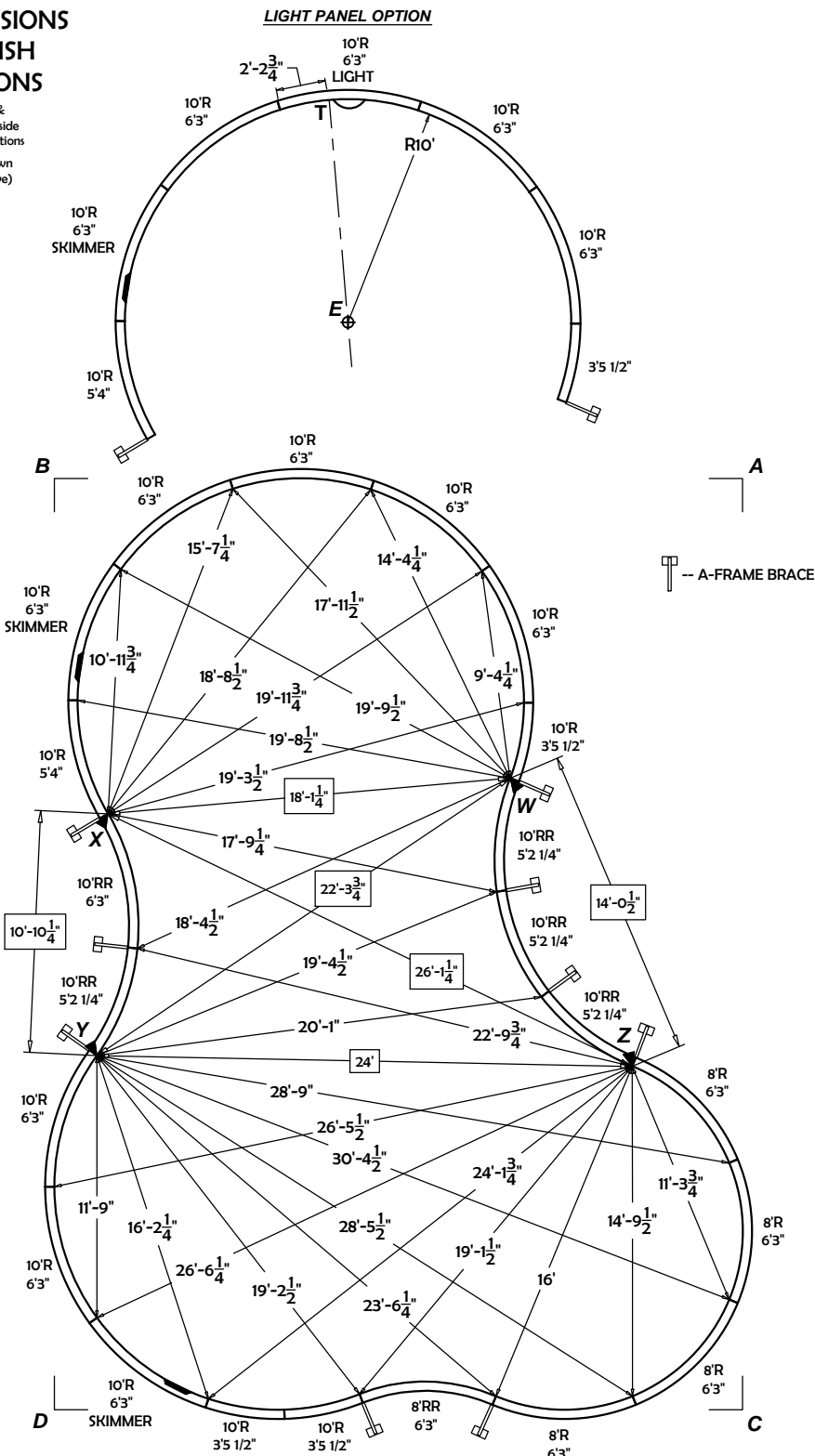
W	34'-11"
X	26'-10"
Y	16'
Z	30'-1 3/4"

FROM T TO:

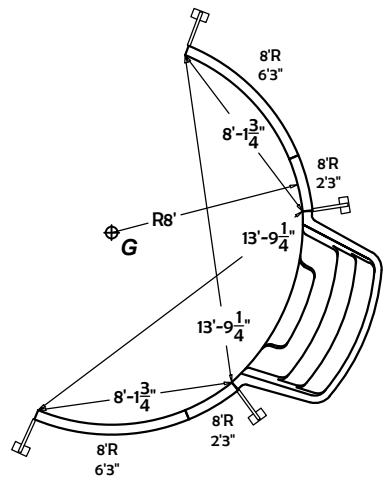
W	16'-10 1/2"
X	16'-10 3/4"
Y	27'-1 3/4"
Z	30'-8"

FROM U TO:

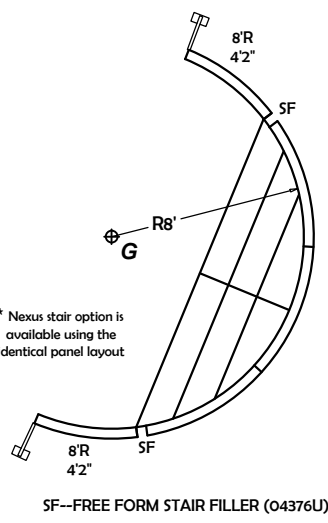
W	28'-5 1/4"
X	28'-4 1/4"
Y	19'-2 1/2"
Z	19'-1 1/2"



8' RADIUS PLASTIC STEP OPTION



8'R x 14'W STEEL STAIR OPTION



DIVING PERMITTED ONLY FROM DESIGNATED DIVING AREA.
The bottom configuration shown conforms with current ISPSA & ANSI / APSP / ICC suggested minimum standards for pools approved for use with manufactured diving equipment.

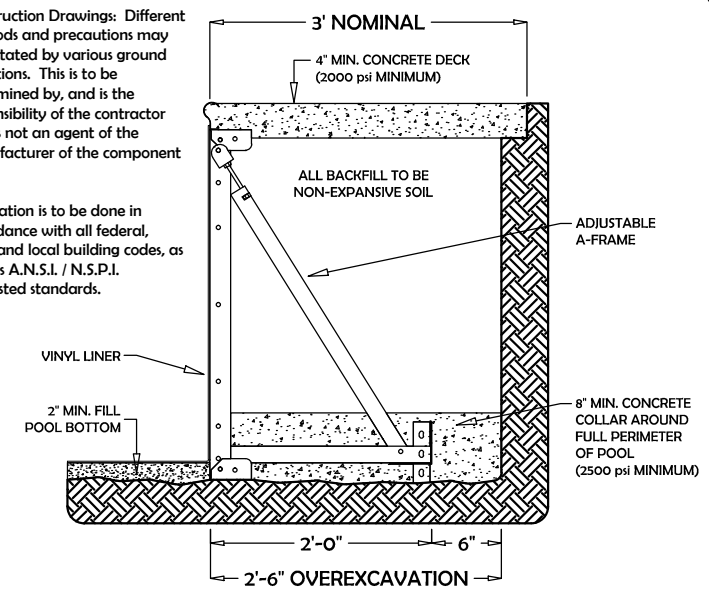
WARNING: Swimming pools can be dangerous if used improperly. Consult your dealer for information on safe use. It's the responsibility of town officials, builders and homeowners to follow safety recommendations of APSP/ANSI, local ordinances & equipment manufacturers.

- All work not specifically shown here is to be done in accordance with the requirements of the 2018 INTERNATIONAL SWIMMING POOL & SPA CODE, APSP/ANSI/ICC-5 2011 STANDARDS FOR RESIDENTIAL INGROUND SWIMMING POOLS, and all other local building codes.
- Construction Drawing: Different methods and precautions may be dictated by various ground conditions. This is to be determined by and is the responsibility of the contractor who is not an agent of the manufacturer of the component parts.
- Depth and shape of the pool meet minimum standards of the 2018 INTERNATIONAL SWIMMING POOL & SPA CODE and the APSP/ANSI/ICC-5 2011 STANDARDS FOR RESIDENTIAL INGROUND SWIMMING POOLS.
- A means of entry & exit for the deep end & shallow end of the pool must be provided in accordance with 2018 INTERNATIONAL SWIMMING POOL & SPA CODE, section 809.
- Equipotential bonding must be provided in accordance with the NATIONAL ELECTRIC CODE, NFPA 70.
- All A-frame braces are to be contained within an 8" thick continuous poured concrete (2500 psi) perimeter collar.
- Backfill with clean earth, free of roots and debris.
- Finished bottom is to be 2" minimum of suitable material or undisturbed earth.
- 3" wide, 3" thick concrete deck is to be poured at a slope of 1/4" to 1' away from the pool.
- NO DIVING labels are to be installed around the perimeter of the pool.
- A safety line, with buoys, is to be permanently attached 10' to the shallow side of the point of first slope change.
- Suction entrapment avoidance to be installed in accordance with APSP/ANSI/ICC-7

APPENDIX

Construction Drawings: Different methods and precautions may be dictated by various ground conditions. This is to be determined by, and is the responsibility of the contractor who is not an agent of the manufacturer of the component parts.

Installation is to be done in accordance with all federal, state and local building codes, as well as A.N.S.I. / N.S.P.I. suggested standards.



	page no.		page no.		page no.
<i>Deck Square Footage Chart</i>	A1	<i>Straight Stair Assembly Guidelines</i>		<i>Inside Stair Layouts</i>	A34
<i>Liner Installation & Removal Procedure</i>	A2	Full Steel	A17	<i>Radius Cuddle Coves</i>	
<i>Radius Inside Stair Assembly Guidelines</i>		Nexus	A18	6' Radius *	A35
Full Steel	A3	<i>Straight Stair Fillers</i>		7' Radius	A36
Nexus	A4	Full Steel *	A19	8' Radius *	A37
<i>Radius Inside Stair Fillers</i>		Nexus *	A20	9' Radius *	A38
Full Steel *	A5	<i>Straight Stair Layouts</i>		10' Radius *	A39
Nexus	A6	4' Straight Stair *	A21	<i>Straight Cuddle Coves</i>	
<i>6'R x 12'W Steel Stair</i>		6' Straight Stair *	A22	8' x 2'R *	A40
Full Steel	A7	8' Straight Stair *	A23	6' x 2' Diagonal *	A41
Nexus	A8	10', 12', 14', 16', 18' & 20' Straight Stairs		8' x 2' Diagonal *	A42
<i>7'R x 13'W Steel Stair</i>		Full Steel *	A24	<i>Nexus Assembly Diagram</i>	A43
Full Steel	A9	Nexus *	A25	<i>Thermoplastic Step Fillers</i>	A43
Nexus	A10	<i>Inside Corner Stairs</i>		<i>Steel Corner Fillers</i>	A44
<i>8'R x 14'W Steel Stair</i>		90° Inside Corner Stair		<i>Modular Step & Bench</i>	
Full Steel	A11	Full Steel	A26	Components	A45, A46
Nexus	A12	Nexus	A27	Assemblies	A46 - A48
<i>9'R x 15'W Steel Stair</i>		2' Radius Inside Corner Stair		<i>Coping Layouts</i>	
Full Steel	A13	Full Steel	A28	Progressive Coping	A49 - A75
Nexus	A14	Nexus	A29	CP2 Coping	A76 - A102
<i>10'R x 16'W Steel Stair</i>		<i>Grecian Stairs</i>			
Full Steel	A15	6' Grecian Stair			
Nexus	A16	Full Steel	A30		
		Nexus	A31		
		8' Grecian Stair			
		Full Steel	A32		
		Nexus	A33		

* Component changes have been made to these assemblies starting in the 2022 season. Universal side panels or fillers may now be used. See Component drawings for all changes. Code numbers with a "U" added are now universal for either Left & Right, Closed Top & Nexus, OR BOTH

Deck Square Footage Chart

Deck square footage calculations are for estimating

purposes only. The 3', 4', and 5' decks are offsets from the pool or pool & step unit perimeters. These offsets do **NOT** square off any radius corners on either the step unit or the pool. (A 2' radius corner on the pool will be a 5', 6', or 7' radius around the perimeter of the deck.)

Patio	3' DECK	4' DECK	5' DECK
20' x 20' No Stairs	225	313	408
20' x 20' w/ 8' Steel Stair	249	347	452
20' x 20' w/ 8' Plastic Step	242	336	436

24' x 24' No Stairs	273	377	488
24' x 24' w/ 8' Steel Stair	300	415	537
24' x 24' w/ 8' Plastic Step	288	396	511

26' x 26' No Stairs	273	377	487
26' x 26' w/ 8' Steel Stair	298	411	532
26' x 26' w/ 8' Plastic Step	290	399	515

Jewel	3' DECK	4' DECK	5' DECK
16' x 28' No Stairs	245	339	440
16' x 28' w/ 8' Steel Stair	270	375	487
16' x 28' w/ 8' Radius Plastic Step	264	364	471

16' x 32' No Stairs	270	372	481
16' x 32' w/ 8' Steel Stair	295	408	528
16' x 32' w/ 8' Radius Plastic Step	288	396	511

16' x 36' No Stairs	293	404	520
16' x 36' w/ 8' Steel Stair	319	440	568
16' x 36' w/ 8' Radius Plastic Step	312	429	552

18' x 38' No Stairs	311	428	551
18' x 38' w/ 8' Steel Stair	336	462	596
18' x 38' w/ 8' Radius Plastic Step	328	451	580

Oval	3' DECK	4' DECK	5' DECK
16' x 32' No Stairs	275	379	490
16' x 32' w/ 8' Radius Plastic Step	294	404	521

18' x 36' No Stairs	305	420	541
18' x 36' w/ 8' Radius Plastic Step	325	445	572

20' x 40' No Stairs	337	462	593
20' x 40' w/ 8' Radius Plastic Step	356	487	624

Grecian	3' DECK	4' DECK	5' DECK
15' x 29' No Stairs	261	361	468
15' x 29' w/ 6' Steel Stair	285	395	512
15' x 29' w/ 6' Plastic Step	278	383	495

17' x 33' No Stairs	297	409	528
17' x 33' w/ 8' Steel Stair	321	443	572
17' x 33' w/ 6' Offset Steel Stair	321	443	572
17' x 33' w/ 8' Plastic Step	313	431	555
17' x 33' w/ 6' Offset Plastic Step	313	431	555

17' x 37' No Stairs	321	441	568
17' x 37' w/ 8' Steel Stair	346	475	612
17' x 37' w/ 6' Offset Steel Stair	345	475	612
17' x 37' w/ 8' Plastic Step	338	463	595
17' x 37' w/ 6' Offset Plastic Step	337	463	595

18' x 37' No Stairs	327	449	578
18' x 37' w/ 8' Steel Stair	352	484	623
18' x 37' w/ 6' Offset Steel Stair	350	481	620
18' x 37' w/ 8' Plastic Step	344	471	605
18' x 37' w/ 6' Offset Plastic Step	342	469	602

Grecian (continued)	3' DECK	4' DECK	5' DECK
20' x 36' No Stairs	320	441	567
20' x 36' w/ 8' Steel Stair	345	475	612
20' x 36' w/ 8' Plastic Step	338	463	595

20' x 40' No Stairs	345	473	608
20' x 40' w/ 8' Steel Stair	370	507	652
20' x 40' w/ 8' Plastic Step	362	495	635

17' x 39' Lazy EL. No Stairs	341	468	601
17' x 39' Lazy EL. w/ 8' Steel Stair	365	502	645
17' x 39' Lazy EL. w/ 6' Offset Steel Stair	365	501	645
17' x 39' Lazy EL. w/ 8' Plastic Step	357	489	628
17' x 39' Lazy EL. w/ 6' Offset Plastic Step	357	489	628

20' x 44' Lazy EL. No Stairs	384	526	674
20' x 44' Lazy EL. w/ 8' Steel Stair	409	559	718
20' x 44' Lazy EL. w/ 8' Plastic Step	401	548	701

6" Radius OR 90 Degree	3' DECK	4' DECK	5' DECK
12' x 24' No Stairs	252	352	460
12' x 24' w/ 8' Steel Stair	274	381	496
12' x 24' w/ 6' Steel Stair (3 Corner)	274	381	496
12' x 24' w/ 8' Plastic Step	267	370	482

14' x 28' No Stairs	288	400	520
14' x 28' w/ 8' Steel Stair	310	429	556
14' x 28' w/ 6' Steel Stair (3 Corner)	310	429	556
14' x 28' w/ 8' Plastic Step	303	418	542

16' x 32' No Stairs	324	448	580
16' x 32' w/ 8' Steel Stair	346	477	616
16' x 32' w/ 6' Steel Stair (3 Corner)	346	477	616
16' x 32' w/ 8' Plastic Step	339	467	602

16' x 36' No Stairs	348	480	620
16' x 36' w/ 8' Steel Stair	370	509	656
16' x 36' w/ 8' Plastic Step	362	497	640

18' x 36' No Stairs	360	496	640
18' x 36' w/ 8' Steel Stair	382	525	676
18' x 36' w/ 8' Plastic Step	375	514	662

20' x 40' No Stairs	396	544	700
20' x 40' w/ 8' Steel Stair	418	573	736
20' x 40' w/ 8' Plastic Step	411	563	722

16' x 38' x 24' True EL. No Stair	408	560	720
16' x 38' x 24' True EL. w/ 8' Steel Stair	430	589	756
16' x 38' x 24' True EL. w/ 8' Plastic Step	423	579	742

18' x 45' Lazy EL. No Stairs	407	559	718
18' x 38' x 24' True EL. w/ 8' Steel Stair	429	588	755
18' x 45' Lazy EL. w/ 8' Plastic Step	422	577	740

4' Radius	3' DECK	4' DECK	5' DECK
16' x 32' No Stairs	296	407	524
16' x 32' w/ 8' Steel Stair	319	439	566
16' x 32' w/ 8' Plastic Step	312	428	549

18' x 36' No Stairs	332	455	584
18' x 36' w/ 8' Steel Stair	354	485	623
18' x 36' w/ 8' Plastic Step	360	494	634
18' x 36' w/ 8' Plastic Step	347	474	608

4' Radius (continued)	3' DECK	4' DECK	5' DECK
20' x 40' No Stairs	368	503	644
20' x 40' w/ 8' Steel Stair	390	532	682
20' x 40' w/ 8' Steel Stair (3 Corner)	396	542	694
20' x 40' w/ 8' Plastic Step	383	522	667

18' x 43' Lazy EL. No Stairs	367	502	643
18' x 43' Lazy EL. w/ 8' Steel Stair	389	532	682
18' x 43' Lazy EL. w/ 8' Plastic Step	382	521	666

2' Radius	3' DECK	4' DECK	5' DECK
12' x 24' No Stairs	234	324	421
12' x 24' w/ 8' Steel Stair	257	357	464
12' x 24' w/ 8' Plastic Step	251	346	448

14' x 28' No Stairs	270	372	481
14' x 28' w/ 8' Steel Stair	292	403	520
14' x 28' w/ 6' Steel Stair (3 Corner)	296	409	527
14' x 28' w/ 8' Plastic Step	286	393	506

16' x 32' No Stairs	306	420	541
16' x 32' w/ 8' Steel Stair	327	450	579
16' x 32' w/ 8' Plastic Step	322	440	564

16' x 36' No Stairs	330	452	581
16' x 36' w/ 8' Steel Stair	351	482	619
16' x 36' w/ 8' Steel Stair (3 Corner)	357	489	628
16' x 36' w/ 8' Plastic Step	346	472	604

18' x 36' No Stairs	342	468	601
18' x 36' w/ 8' Steel Stair	363	497	638
18' x 36' w/ 8' Steel Stair (3 Corner)	369	505	648
18' x 36' w/ 8' Plastic Step	358	488	624

20' x 40' No Stairs	378	516	661
20' x 40' w/ 8' Steel Stair	399	545	697
20' x 40' w/ 8' Steel Stair (3 Corner)	405	553	708
20' x 40' w/ 8' Plastic Step	394	536	684

16' x 37' x 24' True EL. No Stair	378	516	660
16' x 37' x 24' True EL w/ 8' Steel Stair	402	549	703
16' x 37' x 24' True EL. w/ 8' Plastic Step	395	539	688

18' x 37' x 26' True EL. No Stair	391	533	681
18' x 37' x 26' True EL w/ 8' Steel Stair	415	566	724
18' x 37' x 26' True EL. w/ 8' Plastic Step	408	556	708

20' x 43' x 28' True EL. No Stair	438	596	760
20' x 43' x 28' True EL w/ 8' Steel Stair	459	626	798
20' x 43' x 28' True EL. w/ 8' Plastic Step	454	616	784

18' x 43' Lazy EL. No Stairs	378	516	660
18' x 43' Lazy EL. w/ 8' Steel Stair	399	545	697
18' x 43' Lazy EL. w/ 8' Plastic Step	392	535	682

Roman End	3' DECK	4' DECK	5' DECK
16' x 35' w/6'R x 12'W Steel Stair	319	438	563
16' x 37' No Stair	313	431	554
16' x 37' w/ 8' Radius Plastic Step	332	455	584

18' x 39' w/6'R x 12'W Steel Stair	355	485	622
18' x 41' No Stair	349	478	613
18' x 41' w/ 8' Radius Plastic Step	368	503	643

20' x 41' w/6'R x 12'W Steel Stair	379	517	662
20' x 43' No Stair	373	510	653
20' x 43' w/ 8' Radius Plastic Step	392	535	683

18' x 44' Lazy EL. No Stairs	373	510	653
18' x 43' Lazy EL. w/6'R x 12'W Steel Stair	378	516	660
18' x 44' Lazy EL. w/ 8' Radius Plastic Step	392	534	683

Keyhole	3' DECK	4' DECK	5' DECK
16' x 32' No Stairs	284	391	505
16' x 32' w/ 8' Steel Stair	308	424	548
16' x 32' w/ 8' Radius Plastic Step	304	417	536

18' x 36' No Stairs	318	436	561
18' x 36' w/ 8' Steel Stair	342	469	604
18' x 36' w/ 8' Radius Plastic Step	316	440	571

20' x 40' No Stairs	351	480	616
20' x 40' w/ 8' Steel Stair	374	513	659
20' x 40' w/ 8' Radius Plastic Step	370	505	647

Kidney	3' DECK	4' DECK	5' DECK
15' x 26' w/ 6'R x 12'W Steel Stair OR No Stair	229	318	415
15' x 26' w/ 6' Radius Plastic Step	247	342	443

16' x 30' w/ 8'R x 14'W Steel Stair OR No Stair	276	380	491
16' x 30' w/ 8' Radius Plastic Step	294	405	521

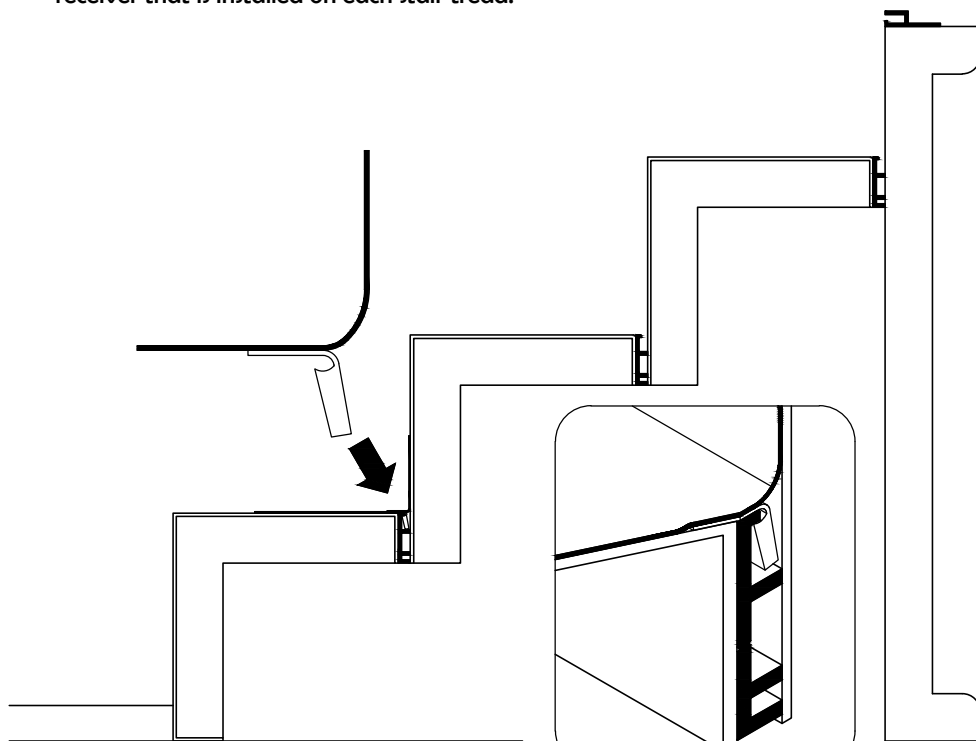
16' x 33' w/ 8'R x 14'W Steel Stair OR No Stair	287	395	510
16' x 33' w/ 8' Radius Plastic Step	304	418	538

Liner Installation

Vinyl Covered Stairs with Liner Bead on Treads

(Will only work if Bead Receiver has been installed with the stair treads during assembly)

- Liner should only be installed when temperatures are 60°F or above.
- Make sure the pool structure and stairs are **CLEAN** and free of any sharp materials that could puncture the liner.
- Position the liner squarely in the pool. (Follow installation guidelines in the owner's manual for details)
- If you are entering the pool when positioning the liner, **NEVER** wear work boots or any other footwear while on the liner. This type of damage is **NOT** covered under the limited warranty.
- Upon reaching the shallow end with the liner, start at the bottom step and work your way up. Position the liner squarely in the stair and insert the liner bead into the bead receiver that is installed on each stair tread.

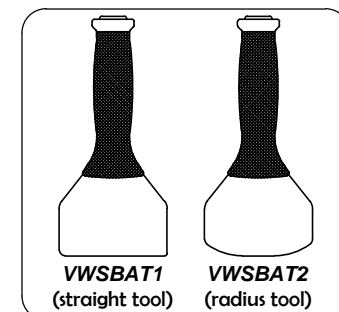
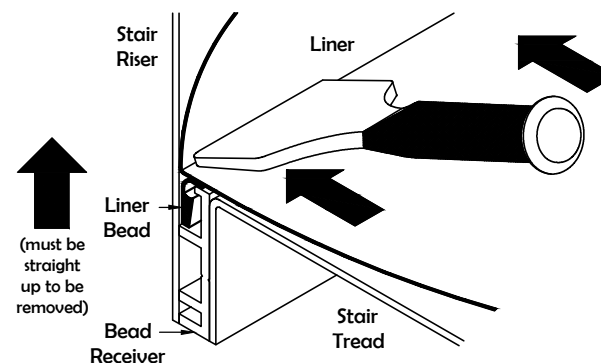


Start installation at the bottom step and insert liner bead into the bead receiver

Liner Removal

If it becomes necessary to remove the liner bead from the bead receiver so the liner can be reset, follow these guidelines to prevent damaging the liner.

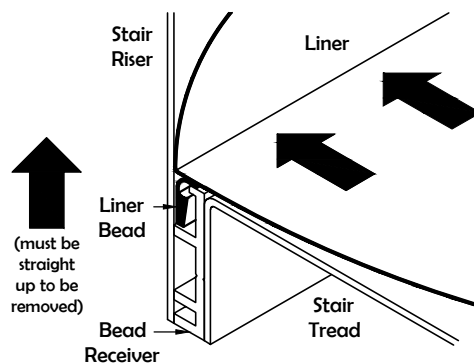
PUSH THE LINER MATERIAL FORWARD on the tread using a Vinyl Works Liner Stair Bead Assistance Tool (Item - **VWSBAT1** for Straight Stairs and **VWSBAT2** for Radius Stairs). This will relieve the tension on the liner bead allowing the liner material to pull **STRAIGHT UP** and **OUT** from the bead receiver. **NEVER pull the liner bead from the bead receiver without relieving the tension first.** Over pulling could damage the liner. (See guidelines on the drawing below.)



Installation Note

The Bead Assistance Tool can also be used to help insert liner stair tread bead into the bead receiver.

If Bead Removal Assistance Tool is not available, you can use your hands to push the liner material forward to relieve the tension. **NEVER** use tools that could damage the liner, such as screwdrivers, scrapers or putty knives. (See drawing for details.)



- 1 Push liner forward to relieve the tension on the liner bead
- 2 Pull bead straight up and out of the bead receiver track

Radius Inside Stair Assembly Guidelines for Full Steel Stairs

Initially hand tighten all bolts when assembling the stair unit. It is **CRUCIAL** that the final assembly of these products is done **SQUARE, LEVEL** and with the **CORRECT FINISHED DIMENSIONS** to ensure a proper liner fit. Before fully tightening all bolts, verify all the tread and riser measurements are correct.

1. Attach the bead receiver to each tread using Tek screws (Fig. 1). One piece of bead receiver cut to length for each individual tread section. The factory end of the bead receiver should be placed at the central joint of the stair.
2. Bolt stair fillers to radius stair side panels (Fig. 2).
3. Bolt left and right bottom steps together and through stair brace (Fig. 3).
4. Bolt left and right center step together and through stair brace. Bolt center stair to bottom stair (Fig. 4).
5. Bolt left and right radius stair side panels with the attached fillers to bottom steps (Fig. 5).
6. Bolt left and right center step to radius side stair panels (Fig. 5)
7. Bolt right top center step to right radius stair side panel and to right center step. Use stair brace to support step (Fig. 6).
8. Bolt left and right top center steps together and through stair brace (Fig. 7).
9. Bolt left top center step to left radius stair side panel and to left center step (Fig. 7).
10. Bolt top radius step to left and right radius stair side panels. Bolt top radius step to top center steps (Fig. 8).

Begin tightening bolts starting with the bottom riser bolts (Fig. 8). The riser of the bottom step should be flush with the end of the stair filler. This will help insure the finished stair assembly is square and level. Check tread and riser measurements as each step is bolted tight to ensure the correct finished dimensions are achieved (Fig. 9)

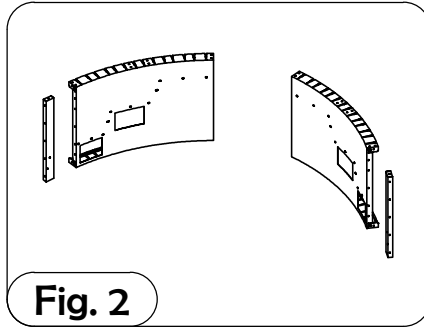


Fig. 2

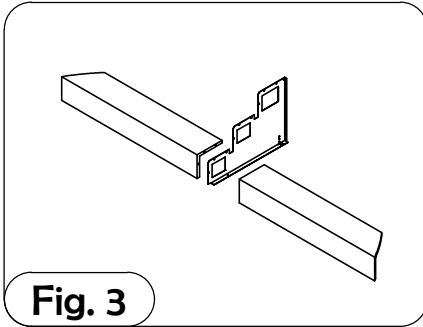


Fig. 3

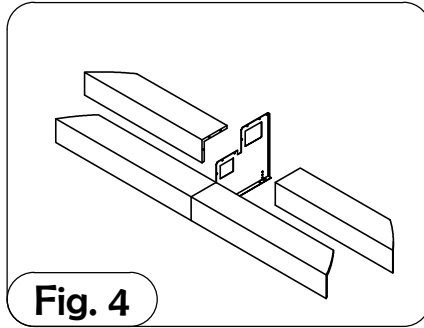


Fig. 4

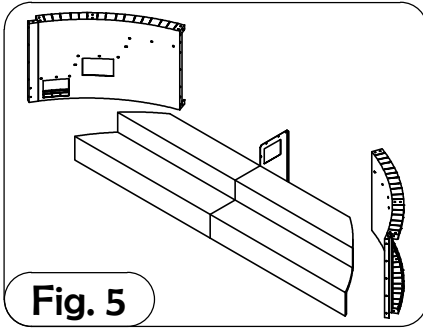


Fig. 5

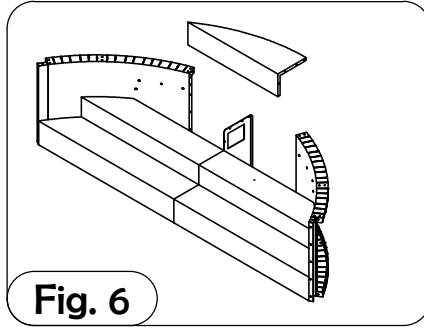


Fig. 6

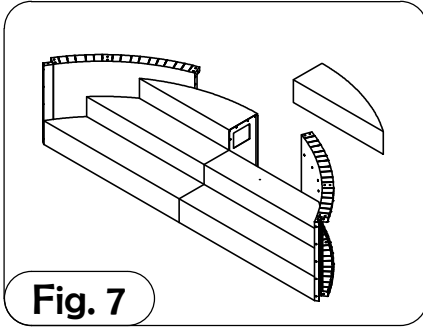


Fig. 7

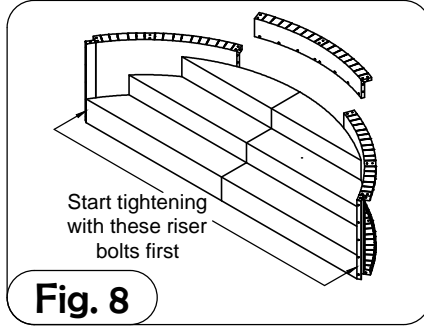


Fig. 8

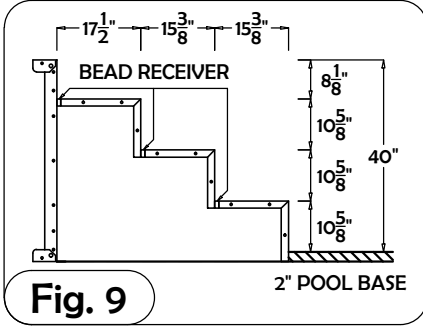
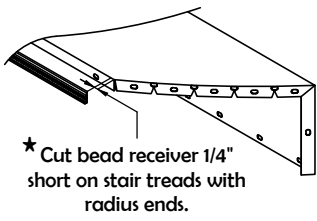
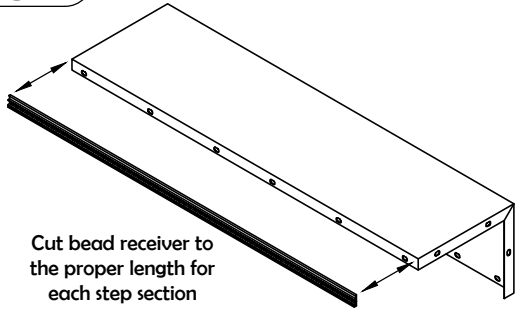
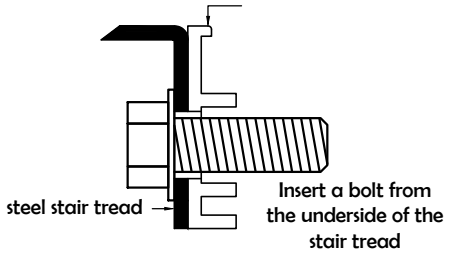
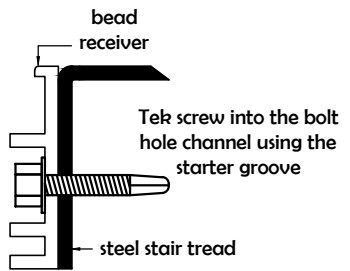
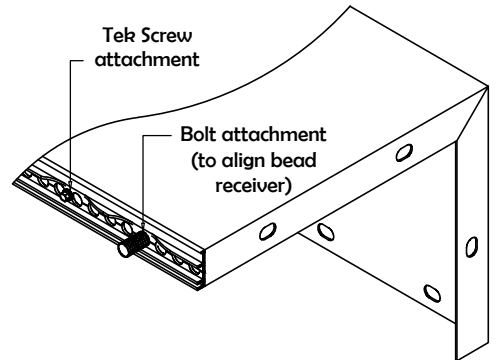


Fig. 9

Fig. 1



- A Cut bead receiver to the proper length for each step section *
- B Attach Bead Receiver to the steel stair section before assembling the stair



Radius Inside Stair Assembly

Guidelines for Nexus Stairs

Initially hand tighten all bolts when assembling the stair unit. It is **CRUCIAL** that the final assembly of these products is done **SQUARE, LEVEL** and with the **CORRECT FINISHED DIMENSIONS** to ensure a proper liner fit. Before fully tightening all bolts, verify all the tread and riser measurements are correct.

1. Bolt stair fillers (not required for 7'R & 10'R stair units) to radius stair side panels (Fig. 1).
2. Bolt left, right and center radius stair panels together (Fig. 2).
3. Bolt radius stair brace to center radius panel (Fig. 3).
4. Bolt left and right top forms together and through stair brace. Bolt form ends to radius side panels (Fig. 4).
5. Bolt left and right center forms together and through stair brace. Bolt form ends to radius side panels (Fig. 5).
6. Bolt left and right bottom forms together and through stair brace. Bolt form ends to radius side panels (Fig. 6).
7. Tek screw edge caps to the corresponding riser forms starting with the top step (Fig. 7).
8. Bolt the bead receiver to each step riser. (Fig. 8).

Begin tightening bolts starting with the bottom step form bolts. The bottom riser should be flush with the end of the stair filler (if required). This will help insure the finished stair assembly is square and level. Check tread and riser measurements as each step is bolted tight to ensure the correct finished dimensions are achieved.

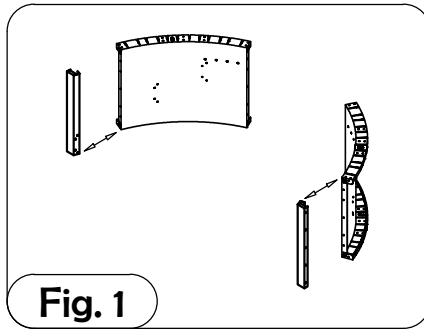


Fig. 1

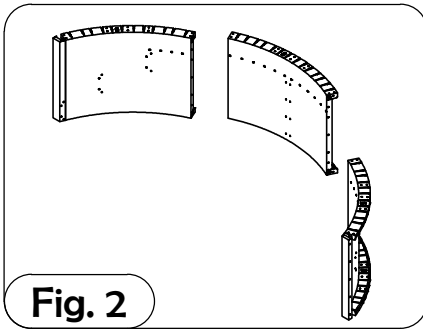


Fig. 2

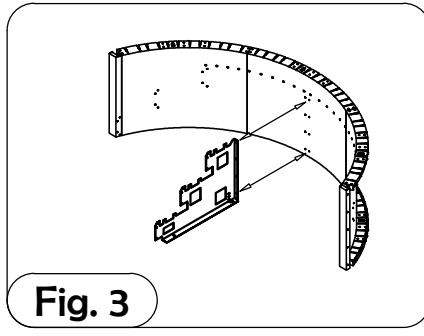


Fig. 3

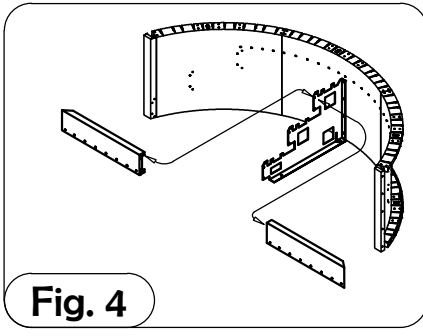


Fig. 4

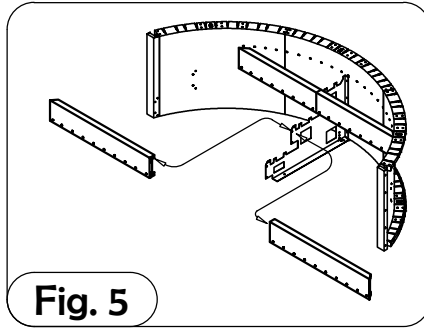


Fig. 5

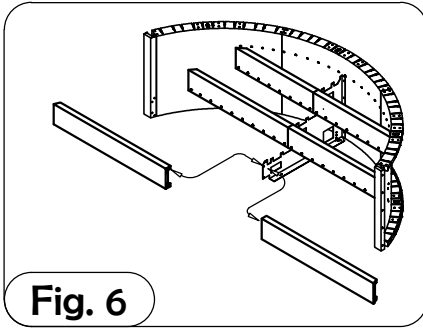


Fig. 6

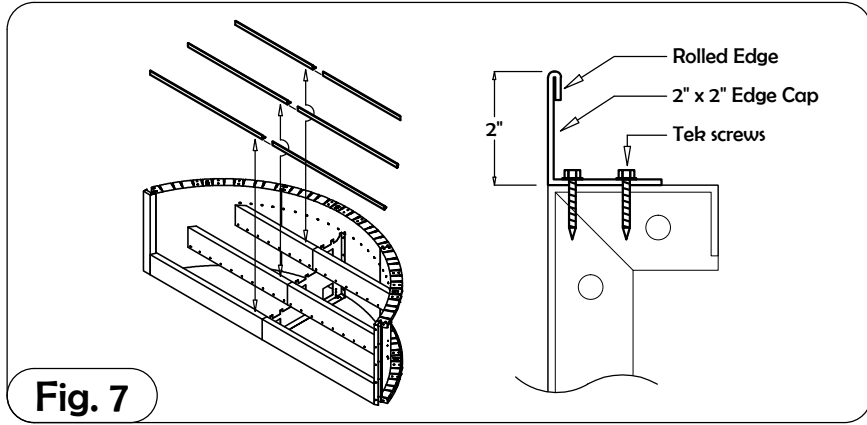


Fig. 7

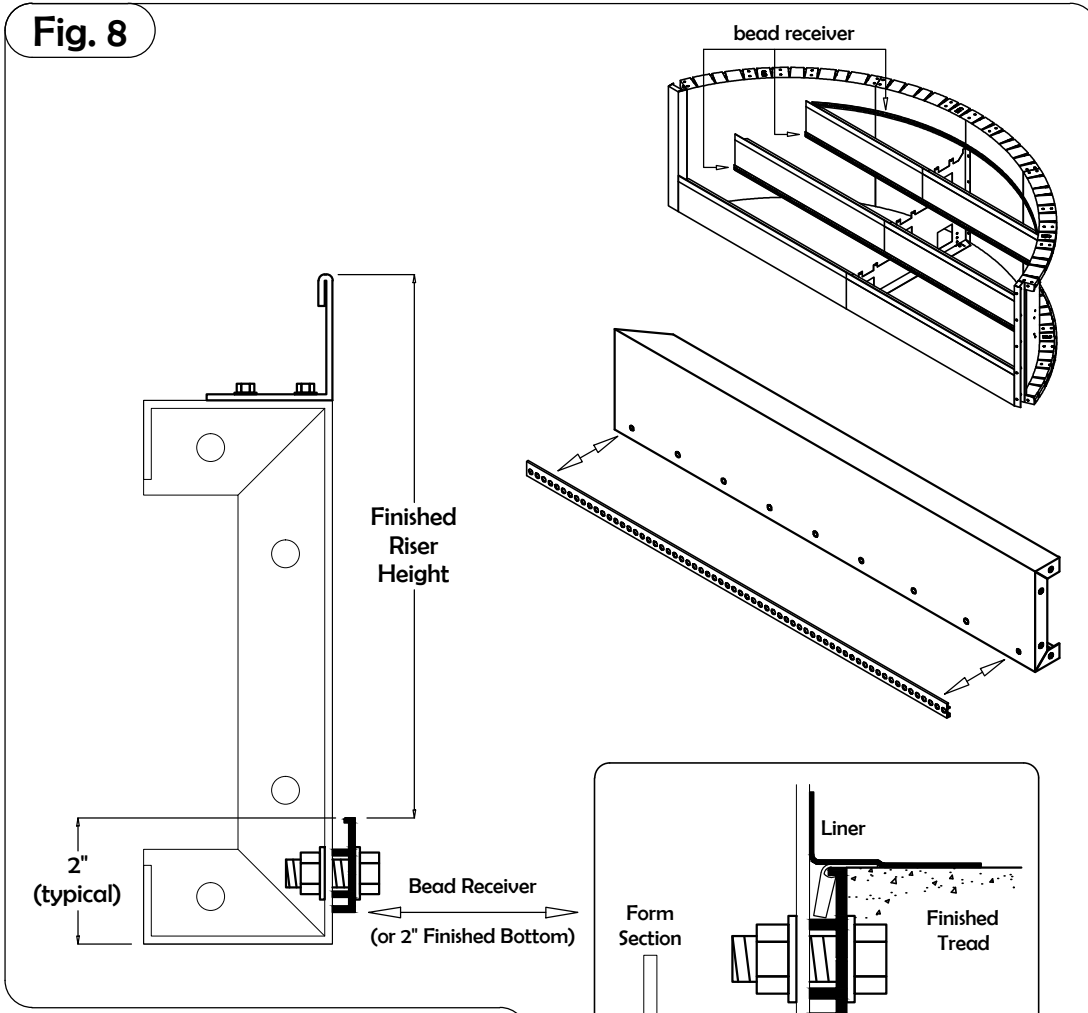
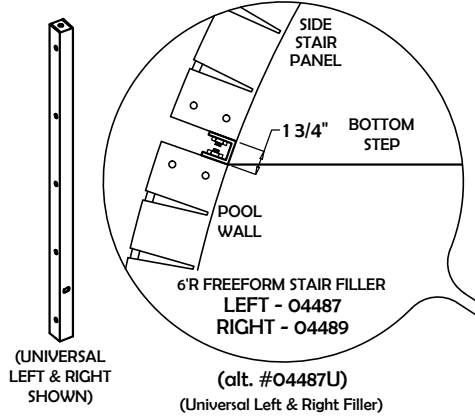
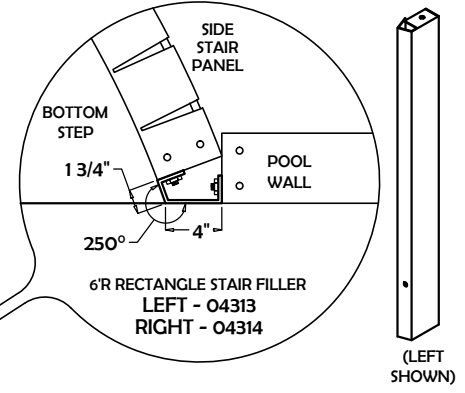


Fig. 8

Full Steel Radius Inside Stair Rectangle & Freeform Fillers

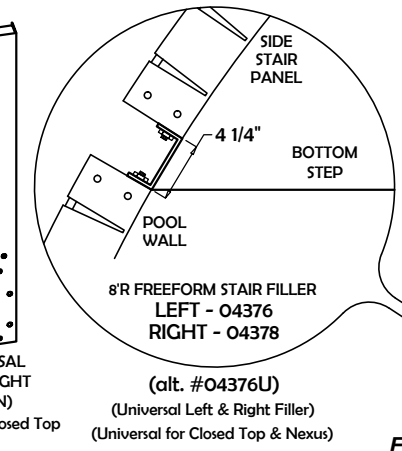


6'R X 12'W STEEL STAIR - CLOSED TOP

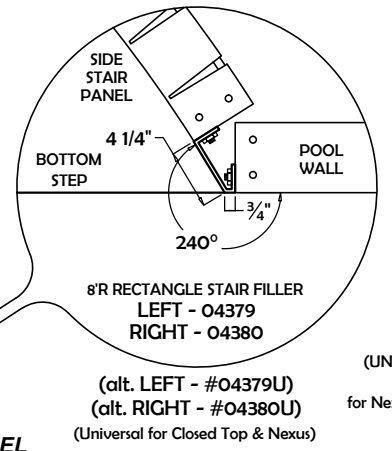


RECTANGLE STEEL STAIR FILLER

FREEFORM STEEL STAIR FILLER

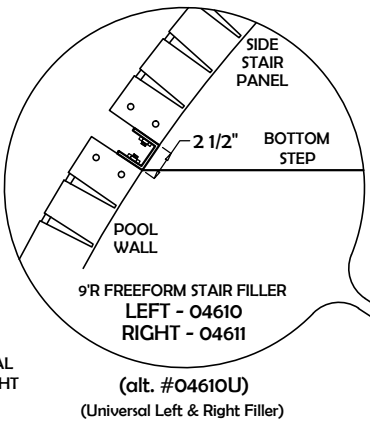


8'R X 14'W STEEL STAIR - CLOSED TOP

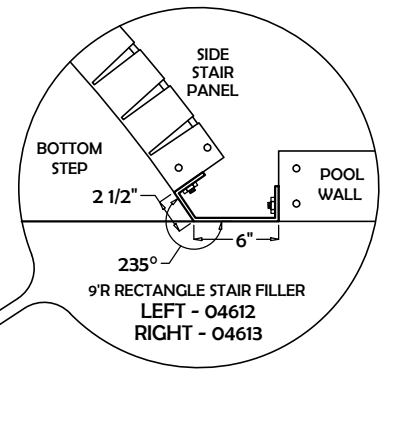


RECTANGLE STEEL STAIR FILLER

FREEFORM STEEL STAIR FILLER



9'R X 15'W STEEL STAIR - CLOSED TOP

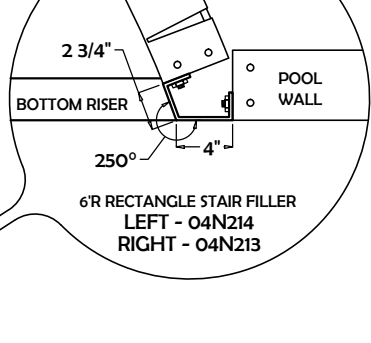
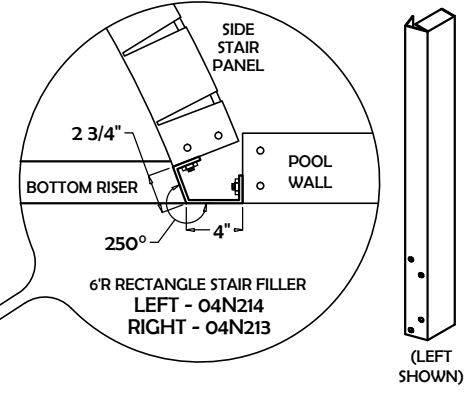
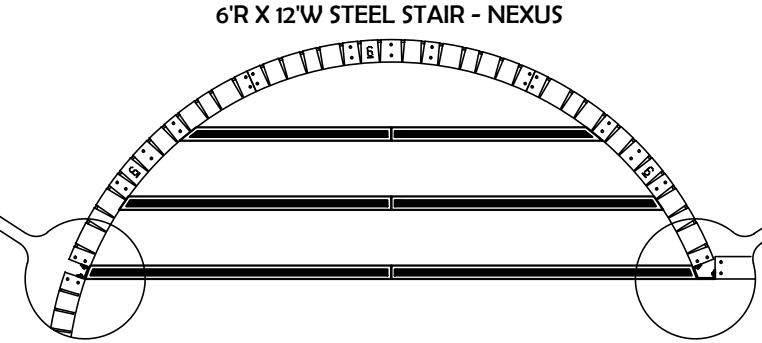
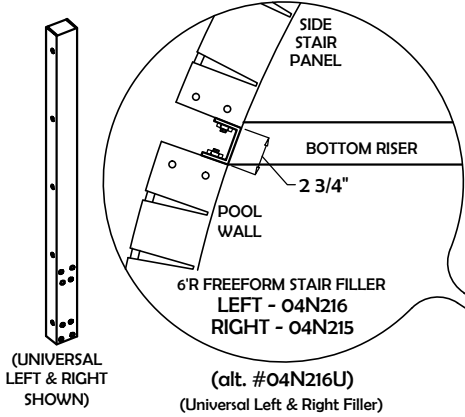


RECTANGLE STEEL STAIR FILLER

FREEFORM STEEL STAIR FILLER

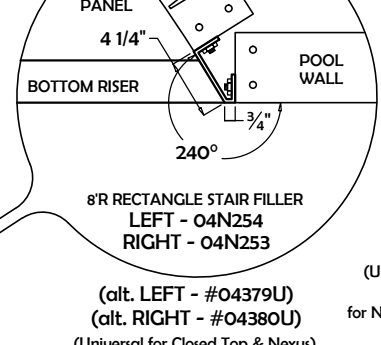
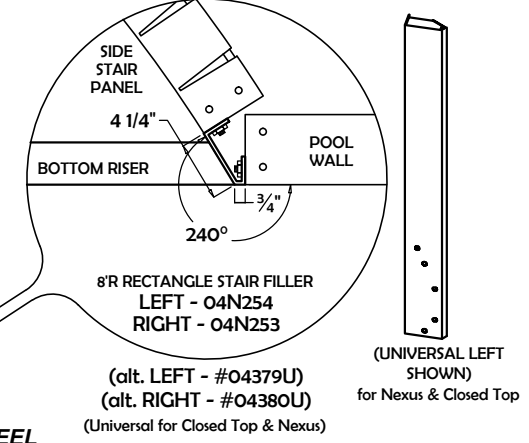
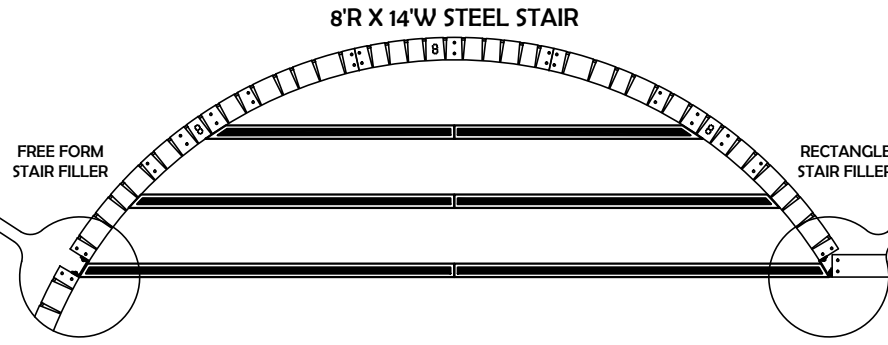
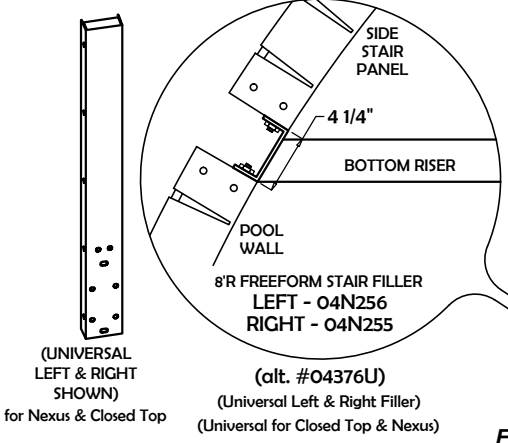
FREEFORM & SOME RECTANGLE FILLERS FOR CLOSED TOP & NEXUS RADIUS STAIR UNITS WILL TRANSITION TO UNIVERSAL FILLERS OVER THE 2022 SEASON. PLEASE NOTE ALTERNATE CODE #'S MAY BE SUBSTITUTED IN THE ASSEMBLY

Nexus Radius Inside Stair Rectangle & Freeform Fillers



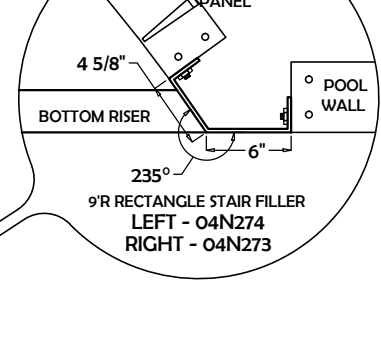
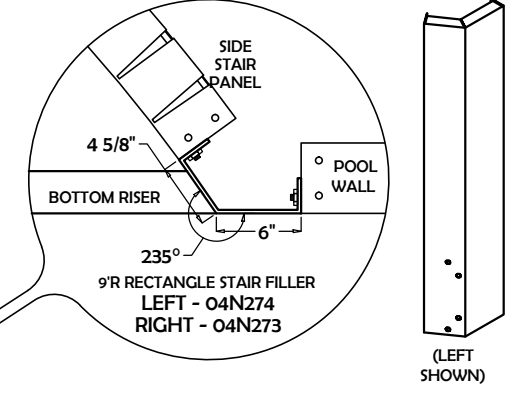
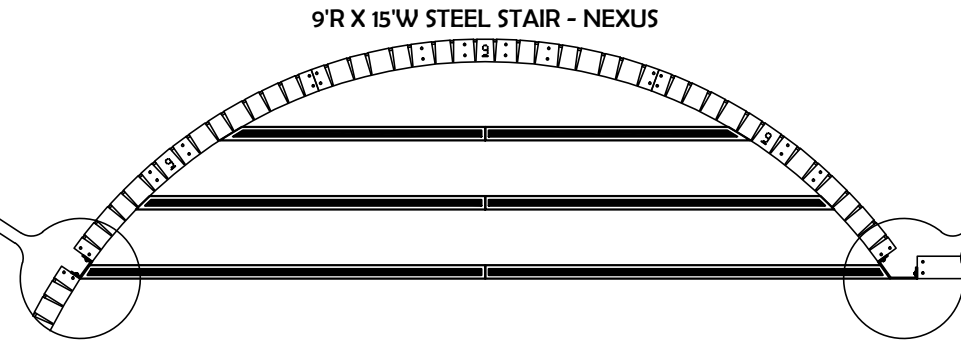
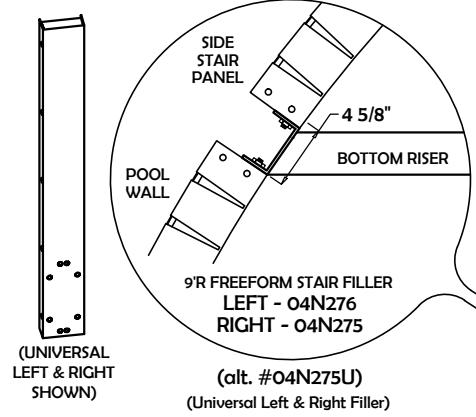
FREEFORM STEEL STAIR FILLER

RECTANGLE STEEL STAIR FILLER



FREEFORM STEEL STAIR FILLER

RECTANGLE STEEL STAIR FILLER

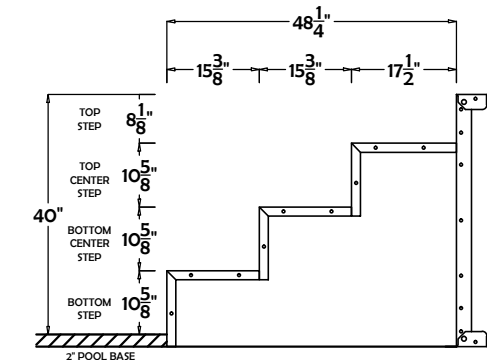
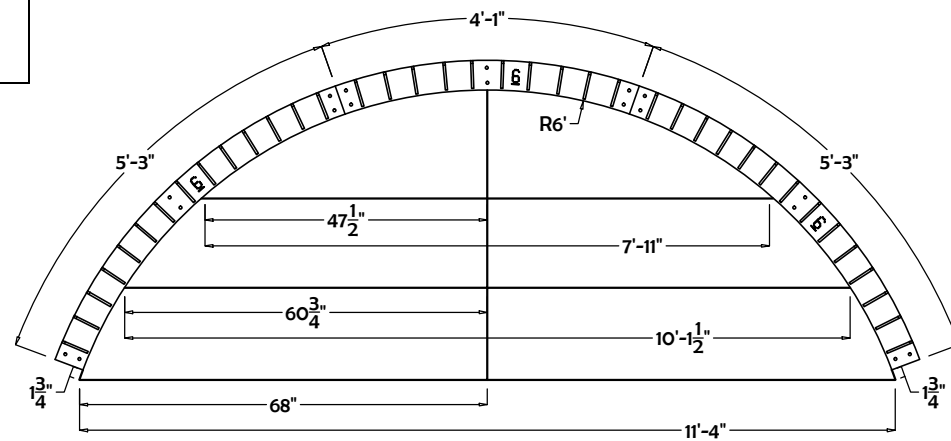


FREEFORM STEEL STAIR FILLER

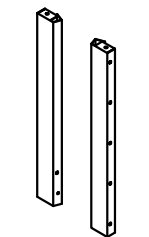
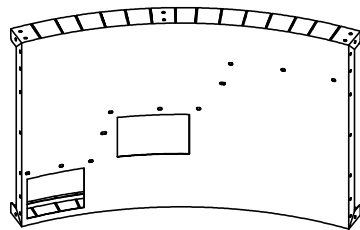
RECTANGLE STEEL STAIR FILLER

FREEFORM & SOME RECTANGLE FILLERS FOR CLOSED TOP & NEXUS RADIUS STAIR UNITS WILL TRANSITION TO UNIVERSAL FILLERS OVER THE 2022 SEASON. PLEASE NOTE ALTERNATE CODE #'S MAY BE SUBSTITUTED IN THE ASSEMBLY

6'R x 12'W Steel Stair Full Steel

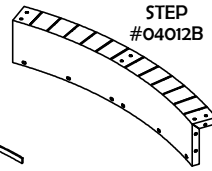


RIGHT RADIUS STAIR PANEL w/RETURN #04020B

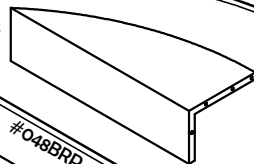


6'R RECTANGLE STAIR FILLER RIGHT - #04314 LEFT - #04313

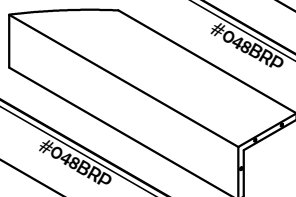
TOP RADIUS STEP #04012B



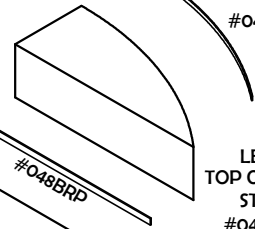
RIGHT TOP CENTER STEP #04014B



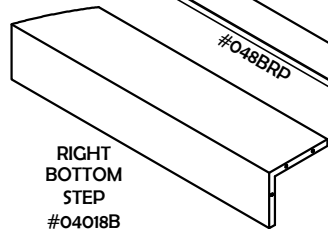
RIGHT BOTTOM CENTER STEP #04016B



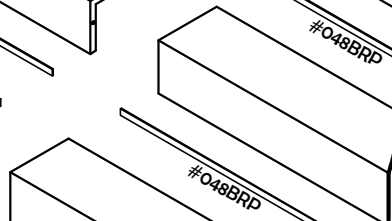
LEFT TOP CENTER STEP #04013B



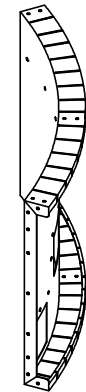
RIGHT BOTTOM STEP #04018B



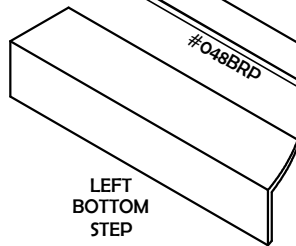
LEFT BOTTOM CENTER STEP #04015B



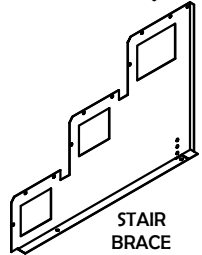
LEFT RADIUS STAIR PANEL #04019B



LEFT BOTTOM STEP #04017B



STAIR BRACE #04509

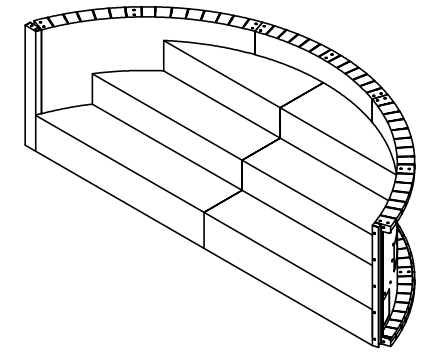


6'R FREEFORM STAIR FILLER RIGHT - #04489 LEFT - #04487



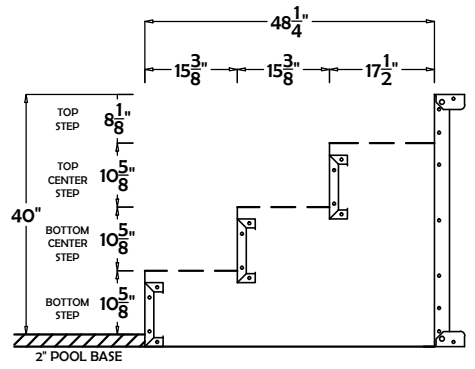
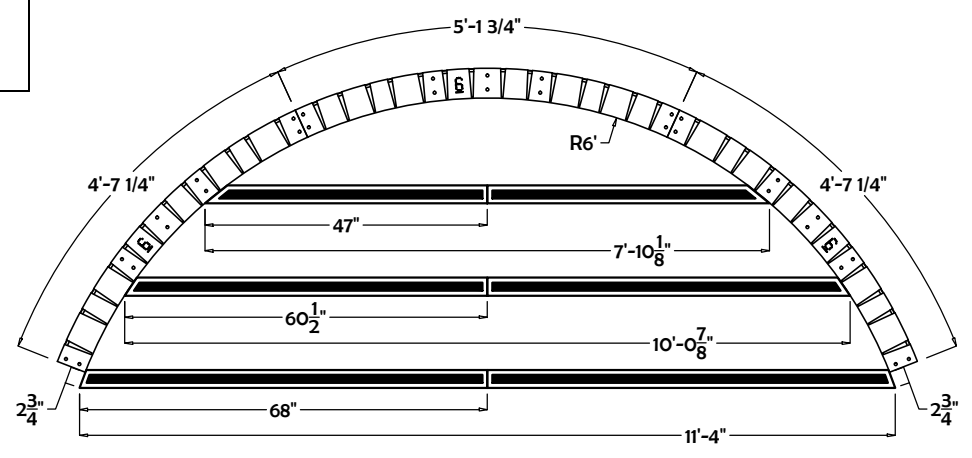
(alt. #04487U)
(Universal Left & Right)

**6'R x 12'W STAIR COMPLETE:
w/FREE FORM STAIR FILLERS #04021B
w/RECTANGLE STAIR FILLERS #04022B**

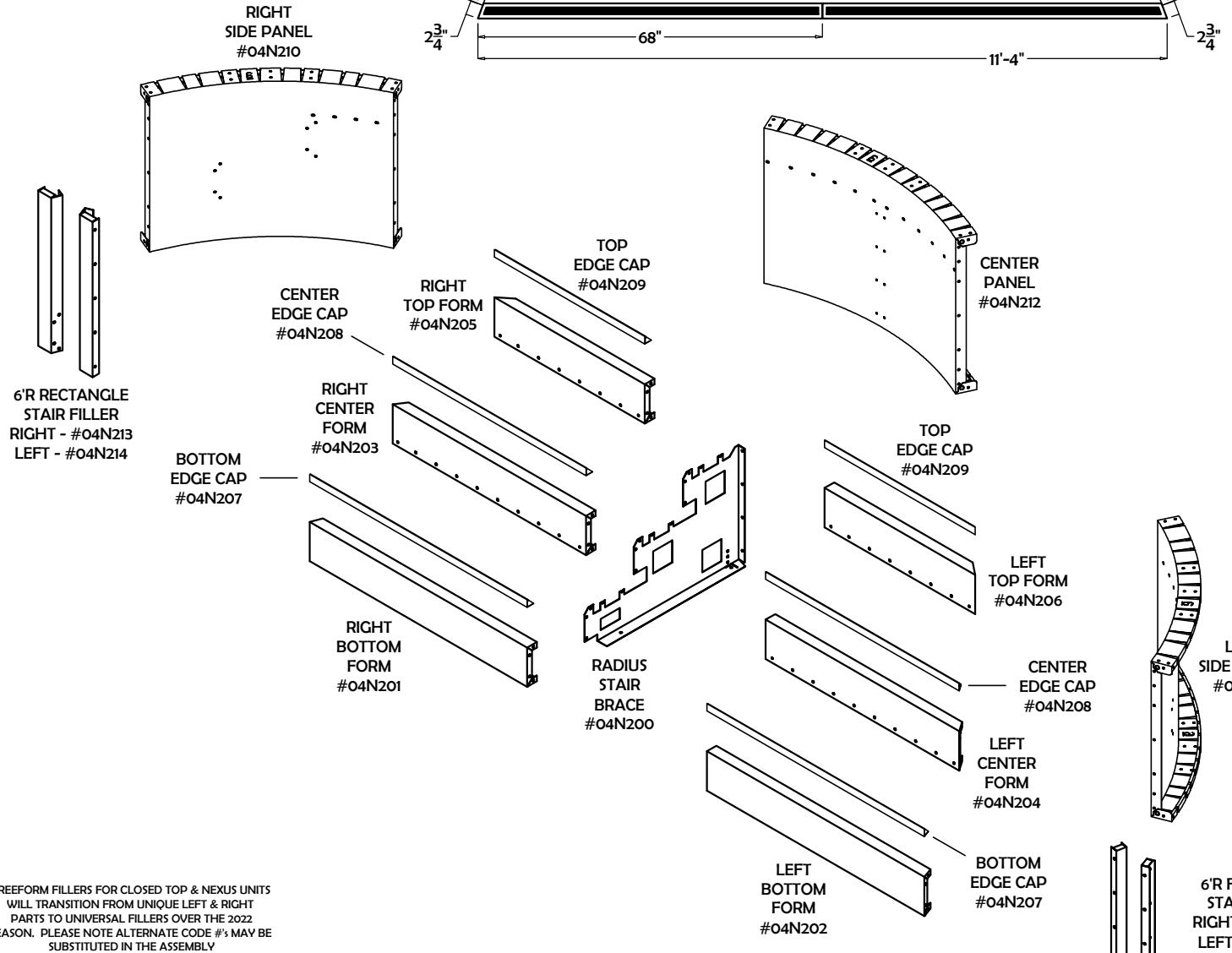


FREEFORM FILLERS FOR CLOSED TOP & NEXUS UNITS WILL TRANSITION FROM UNIQUE LEFT & RIGHT PARTS TO UNIVERSAL FILLERS OVER THE 2022 SEASON. PLEASE NOTE ALTERNATE CODE #'S MAY BE SUBSTITUTED IN THE ASSEMBLY

6'R x 12'W Steel Stair Nexus

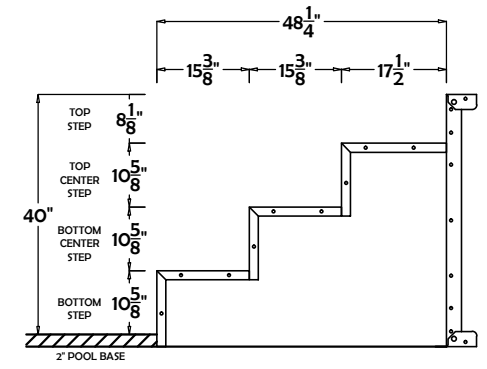
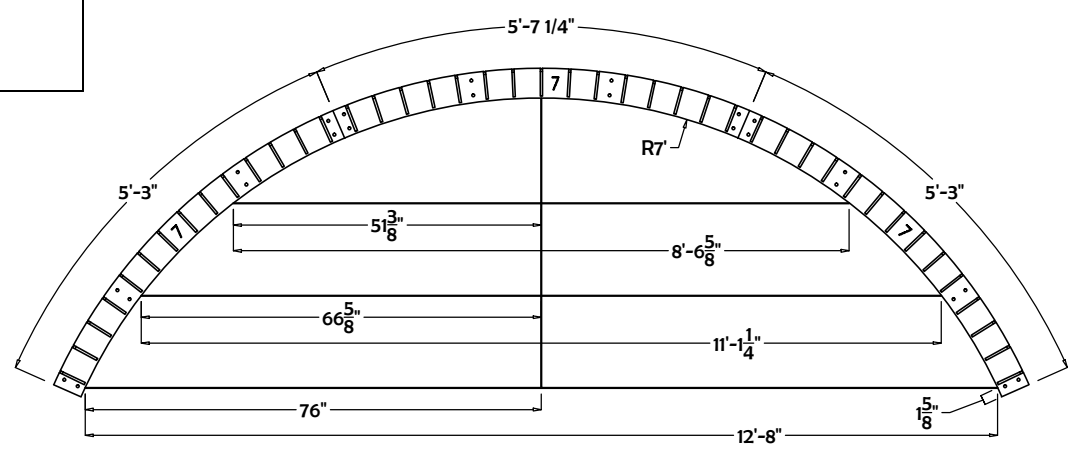


**6'R x 12'W NEXUS STAIR COMPLETE:
w/FREE FORM STAIR FILLERS #04021BNS
w/RECTANGLE STAIR FILLERS #04022BNS**

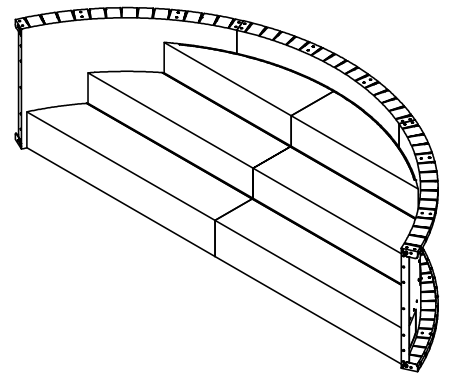


FREEFORM FILLERS FOR CLOSED TOP & NEXUS UNITS
WILL TRANSITION FROM UNIQUE LEFT & RIGHT
PARTS TO UNIVERSAL FILLERS OVER THE 2022
SEASON. PLEASE NOTE ALTERNATE CODE #'S MAY BE
SUBSTITUTED IN THE ASSEMBLY

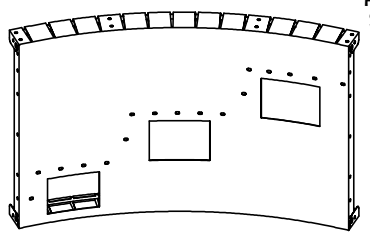
7'R x 13'W Steel Stair
Full Steel



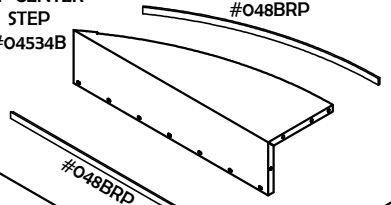
7'R x 13'W STAIR COMPLETE:
FREE FORM #04526B
 (NO FILLERS ARE REQUIRED FOR THE
 INSTALLATION OF THIS STAIR)



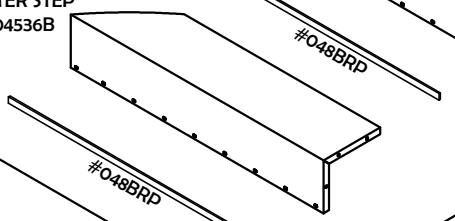
**RIGHT RADIUS
 STAIR PANEL**
 w/RETURN
 #04532B



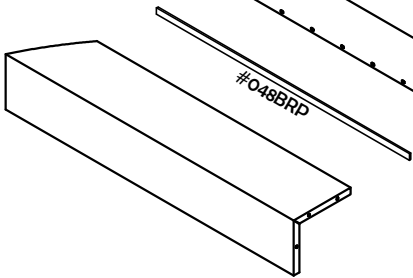
**RIGHT
 TOP CENTER
 STEP**
 #04534B



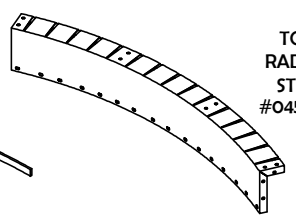
**RIGHT
 BOTTOM
 CENTER STEP**
 #04536B



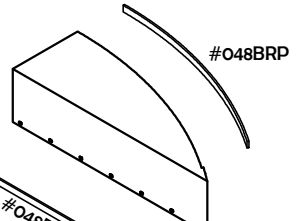
**RIGHT
 BOTTOM
 STEP**
 #04538B



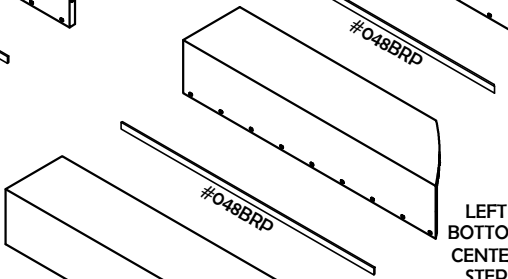
**TOP
 RADIUS
 STEP**
 #04530B



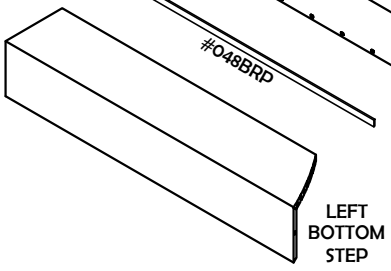
**LEFT
 TOP CENTER
 STEP**
 #04533B



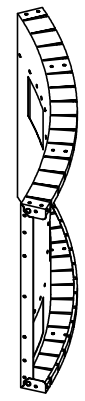
**LEFT
 BOTTOM
 CENTER STEP**
 #04535B



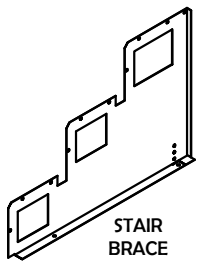
**LEFT
 BOTTOM
 STEP**
 #04537B



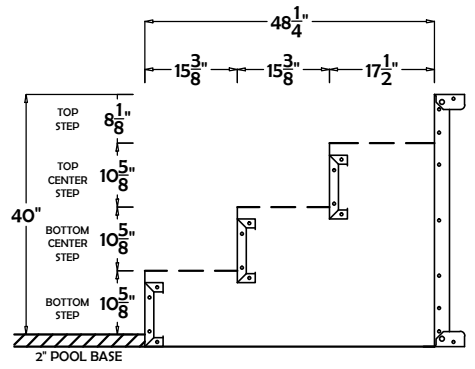
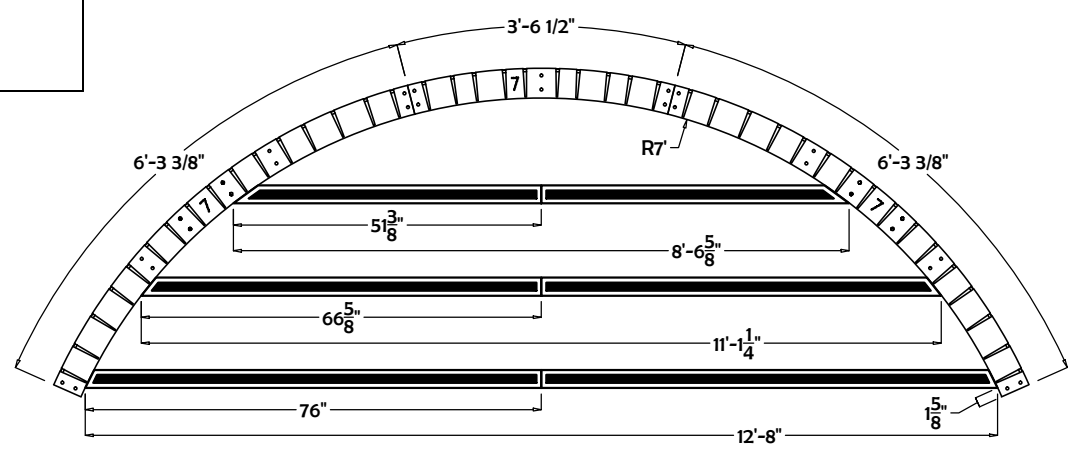
**LEFT
 RADIUS
 STAIR PANEL**
 #04531B



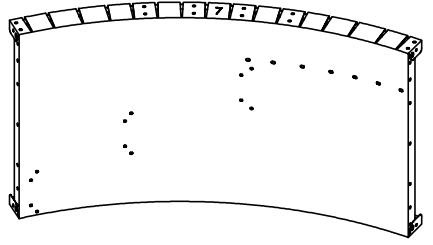
**STAIR
 BRACE**
 #04509



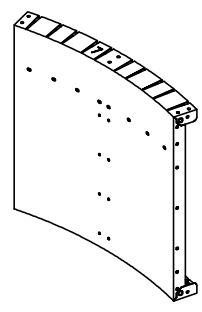
7'R x 13'W Steel Stair Nexus



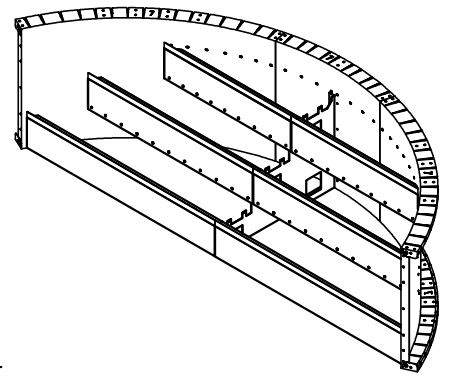
RIGHT
SIDE PANEL
#04N230



CENTER
PANEL
#04N232



**7'R x 13'W NEXUS STAIR COMPLETE:
FREE FORM #04526BNS
(NO FILLERS ARE REQUIRED FOR THE
INSTALLATION OF THIS STAIR)**



CENTER
EDGE CAP
#04N228

RIGHT
TOP FORM
#04N225

TOP
EDGE CAP
#04N229

RIGHT
CENTER
FORM
#04N223

BOTTOM
EDGE CAP
#04N227

RIGHT
BOTTOM
FORM
#04N221

RADIUS
STAIR
BRACE
#04N200

TOP
EDGE CAP
#04N229

LEFT
TOP FORM
#04N226

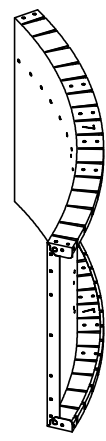
LEFT
SIDE PANEL
#04N231

CENTER
EDGE CAP
#04N228

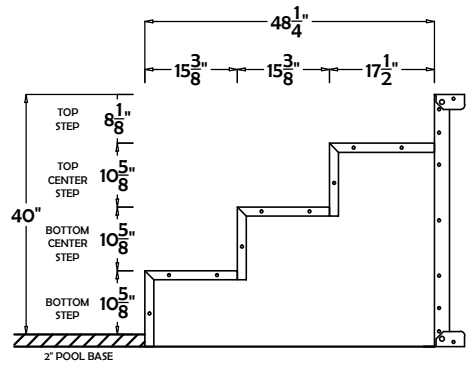
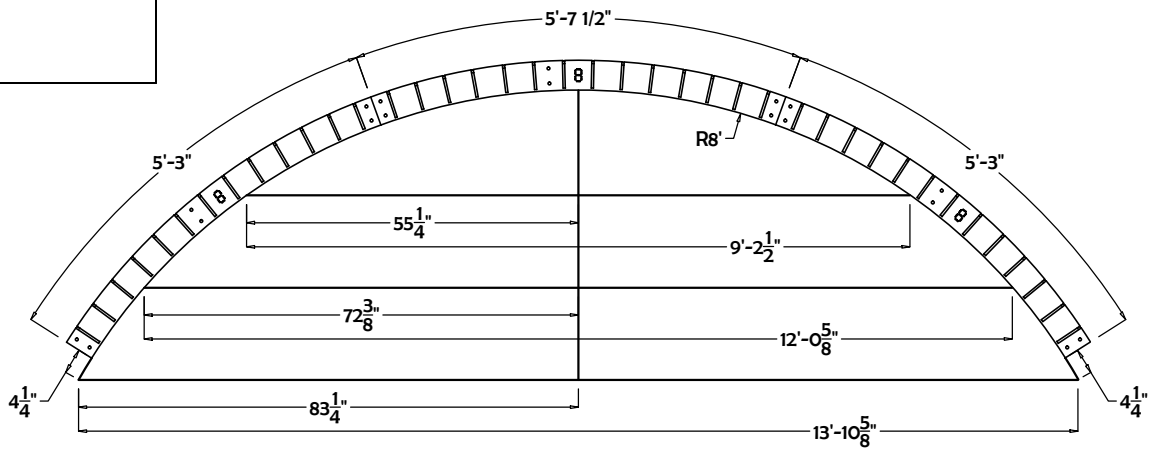
LEFT
CENTER
FORM
#04N224

BOTTOM
EDGE CAP
#04N227

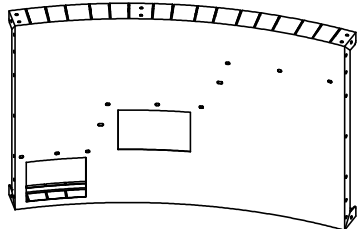
LEFT
BOTTOM
FORM
#04N222



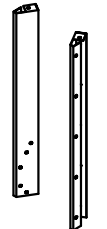
8'R x 14'W Steel Stair Full Steel



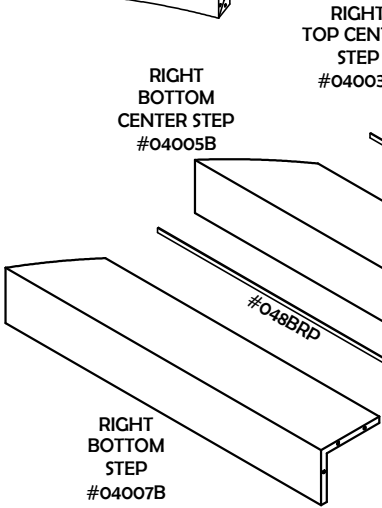
**8'R x 14'W STAIR COMPLETE:
w/FREE FORM STAIR FILLERS #04010B
w/RECTANGLE STAIR FILLERS #04011B**



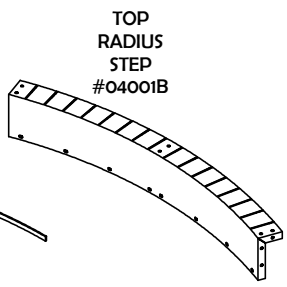
**RIGHT RADIUS
STAIR PANEL
w/RETURN
#04009B**



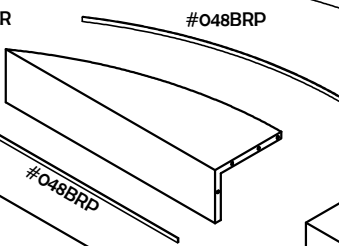
**8'R RECTANGLE
STAIR FILLER
RIGHT - #04380
LEFT - #04379
(alt. RIGHT - #04380U)
(alt. LEFT - #04379U)
(Universal for Closed Top & Nexus)**



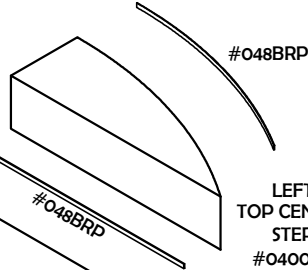
**RIGHT TOP CENTER
STEP
#04003B**
**RIGHT BOTTOM
CENTER STEP
#04005B**
**RIGHT
BOTTOM
STEP
#04007B**



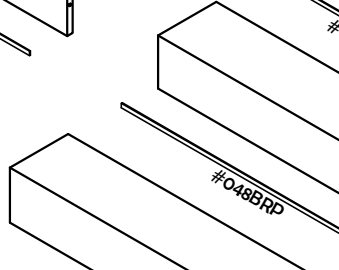
**TOP
RADIUS
STEP
#04001B**



#048BRP

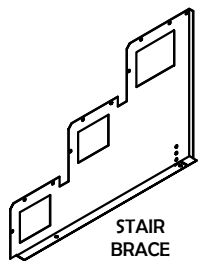


#048BRP

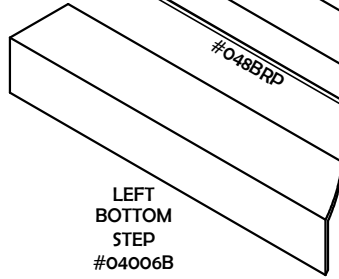


#048BRP

**LEFT
TOP CENTER
STEP
#04002B**



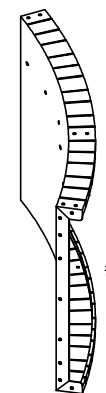
**STAIR
BRACE
#04509**



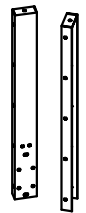
#048BRP

**LEFT
BOTTOM
STEP
#04006B**

**LEFT
BOTTOM
CENTER
STEP
#04004B**



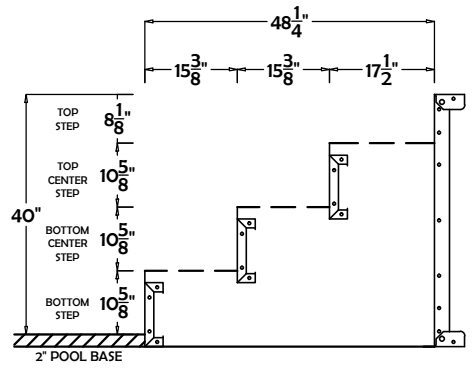
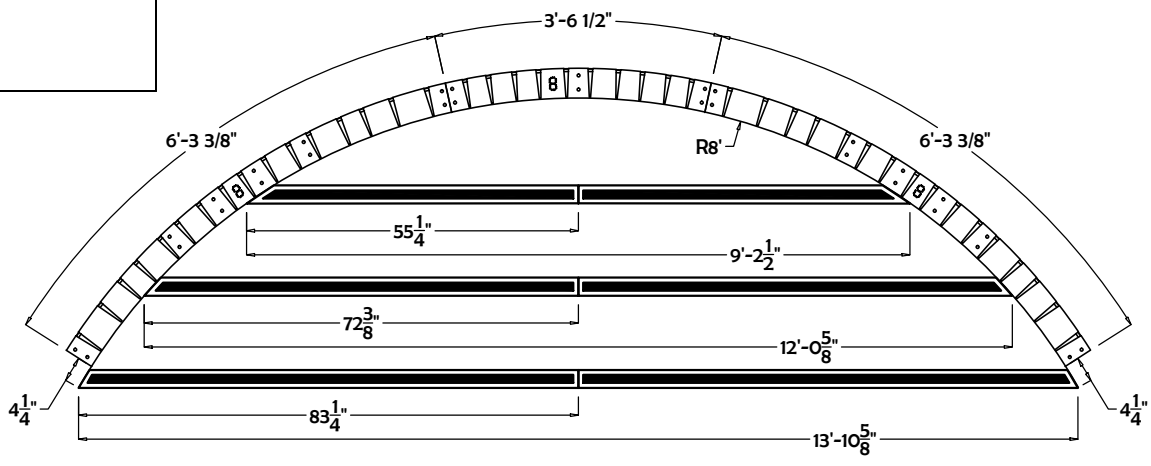
**LEFT
RADIUS
STAIR
PANEL
#04008B**



**8'R FREEFORM
STAIR FILLER
RIGHT - #04378
LEFT - #04376
(alt. #04376U)
(Universal Left & Right)
(Universal for Nexus OR Closed Top)**

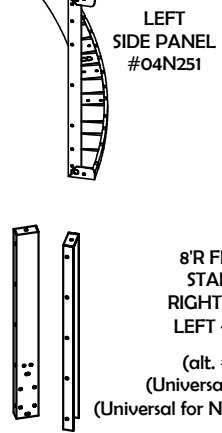
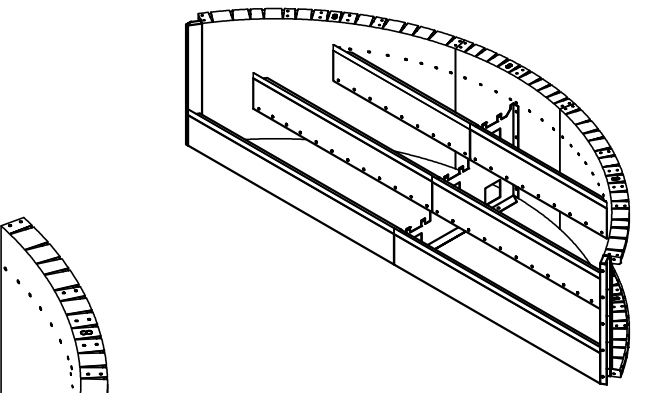
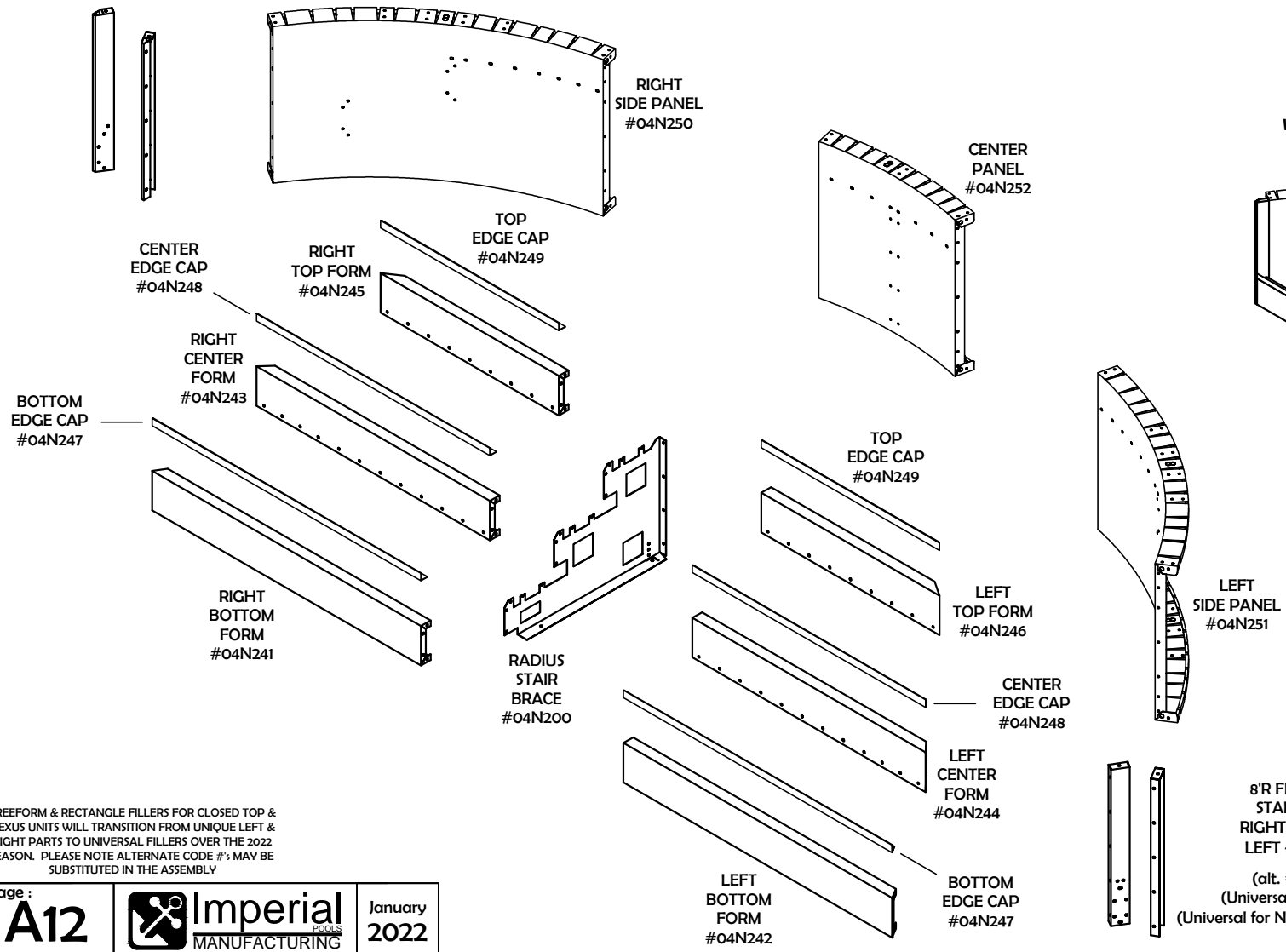
FREEFORM & RECTANGLE FILLERS FOR CLOSED TOP & NEXUS UNITS WILL TRANSITION FROM UNIQUE LEFT & RIGHT PARTS TO UNIVERSAL FILLERS OVER THE 2022 SEASON. PLEASE NOTE ALTERNATE CODE #'S MAY BE SUBSTITUTED IN THE ASSEMBLY

8'R x 14'W Steel Stair Nexus



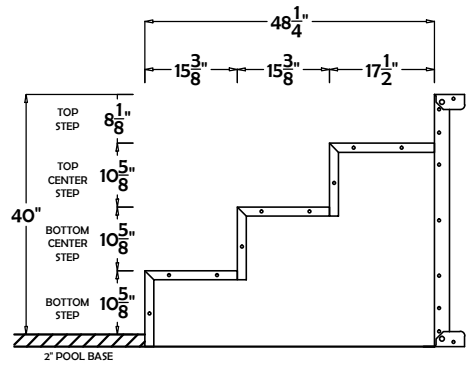
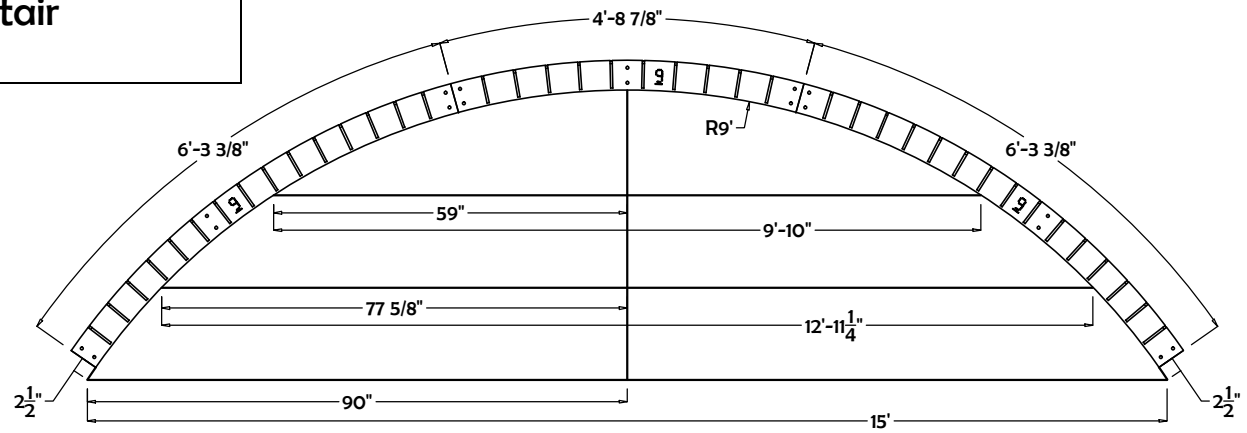
**8'R RECTANGLE
STAIR FILLER**
RIGHT - #04N253
LEFT - #04N254
(alt. RIGHT - #04380U)
(alt. LEFT - #04379U)
(Universal for Closed Top & Nexus)

**8'R x 14'W NEXUS STAIR COMPLETE:
w/FREE FORM STAIR FILLERS #04010BNS
w/RECTANGLE STAIR FILLERS #04011BNS**

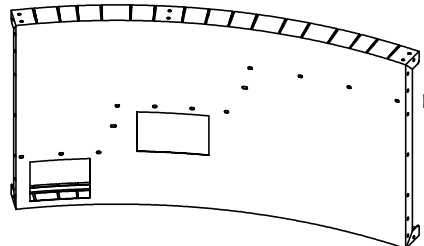


FREEFORM & RECTANGLE FILLERS FOR CLOSED TOP & NEXUS UNITS WILL TRANSITION FROM UNIQUE LEFT & RIGHT PARTS TO UNIVERSAL FILLERS OVER THE 2022 SEASON. PLEASE NOTE ALTERNATE CODE #'S MAY BE SUBSTITUTED IN THE ASSEMBLY

**9'R x 15'W Steel Stair
Full Steel**

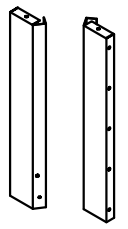


**9'R x 15'W STAIR COMPLETE:
w/FREE FORM STAIR FILLERS #04032B
w/RECTANGLE STAIR FILLERS #04033B**

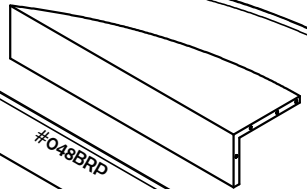


RIGHT RADIUS
STAIR PANEL
w/RETURN
#04031B

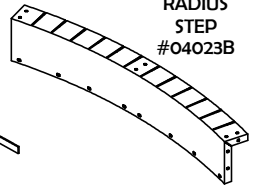
RECTANGLE
STAIR FILLER
RIGHT - #04613
LEFT - #04612



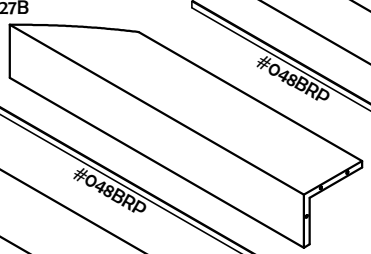
RIGHT
TOP CENTER
STEP
#04025B



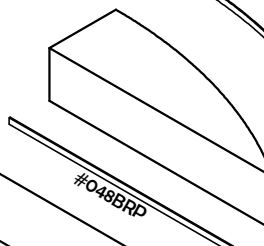
TOP
RADIUS
STEP
#04023B



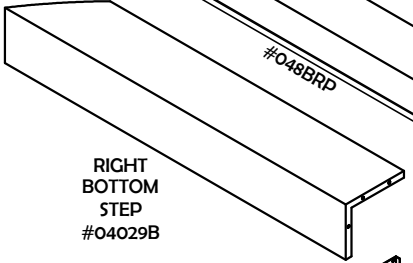
RIGHT
BOTTOM
CENTER STEP
#04027B



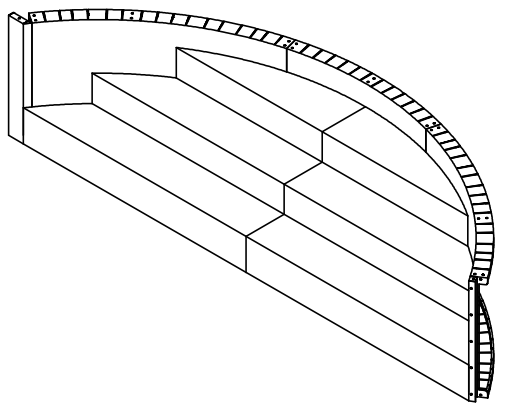
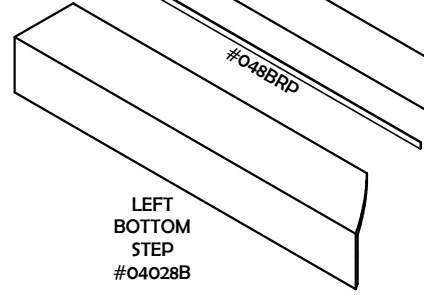
LEFT
TOP CENTER
STEP
#04024B



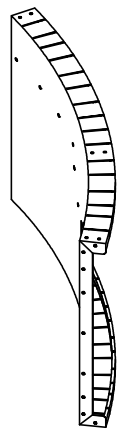
RIGHT
BOTTOM
STEP
#04029B



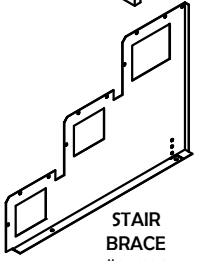
LEFT
BOTTOM
CENTER STEP
#04026B



LEFT
RADIUS
STAIR
PANEL
#04030B

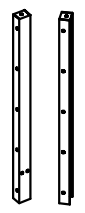


LEFT
BOTTOM
STEP
#04028B



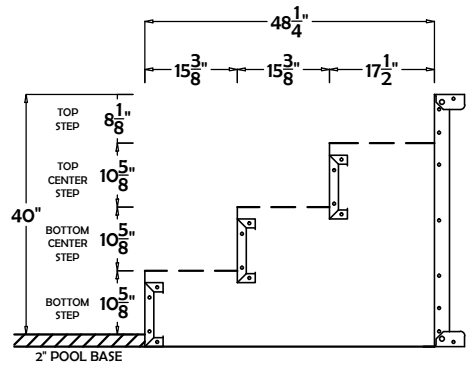
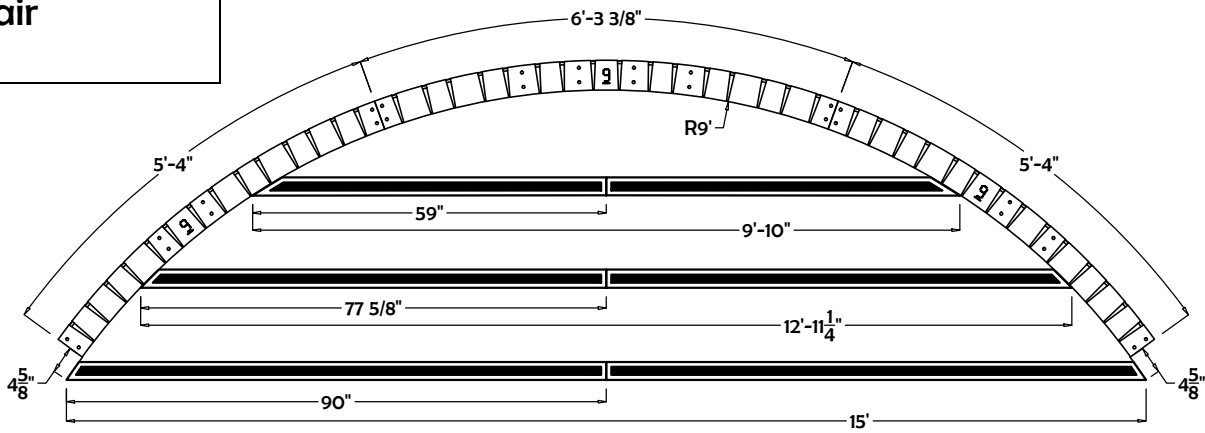
STAIR
BRACE
#04509

FREEFORM FILLERS FOR CLOSED TOP & NEXUS UNITS
WILL TRANSITION FROM UNIQUE LEFT & RIGHT
PARTS TO UNIVERSAL FILLERS OVER THE 2022
SEASON. PLEASE NOTE ALTERNATE CODE #'S MAY BE
SUBSTITUTED IN THE ASSEMBLY

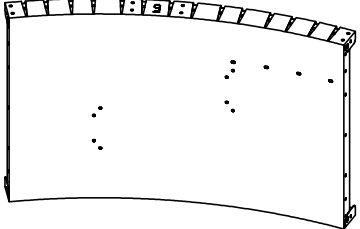
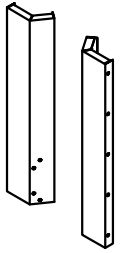


9'R FREEFORM
STAIR FILLER
RIGHT - #04611
LEFT - #04610
(alt. #04610U)
(Universal Left & Right)

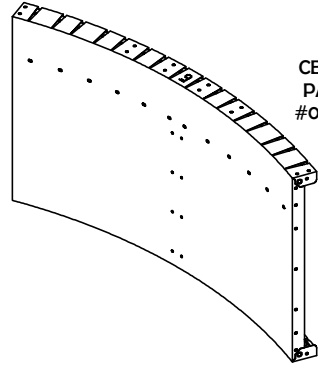
9'R x 15'W Steel Stair Nexus



RECTANGLE
STAIR FILLER
RIGHT - #04N273
LEFT - #04N274

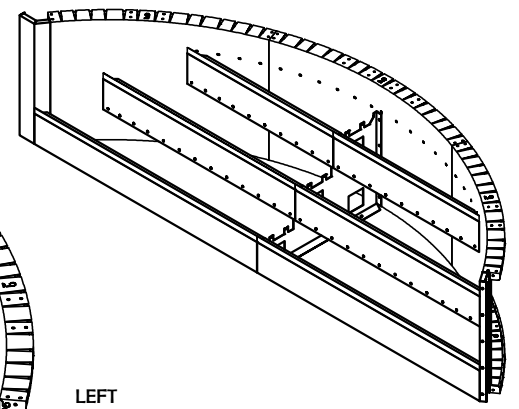


RIGHT
SIDE PANEL
#04N270



CENTER
PANEL
#04N272

**9'R x 15'W NEXUS STAIR COMPLETE:
w/FREE FORM STAIR FILLERS #04032BNS
w/RECTANGLE STAIR FILLERS #04033BNS**



LEFT
SIDE PANEL
#04N271

CENTER
EDGE CAP
#04N268

RIGHT
TOP FORM
#04N265

TOP
EDGE CAP
#04N269

RIGHT
CENTER
FORM
#04N263

BOTTOM
EDGE CAP
#04N267

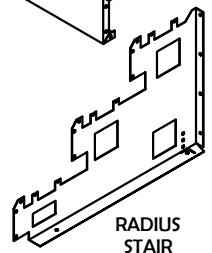
TOP
EDGE CAP
#04N269

LEFT
TOP FORM
#04N266

RIGHT
BOTTOM
FORM
#04N261

CENTER
EDGE CAP
#04N268

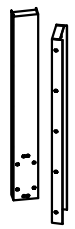
LEFT
CENTER
FORM
#04N264



RADIUS
STAIR
BRACE
#04N200

LEFT
BOTTOM
FORM
#04N262

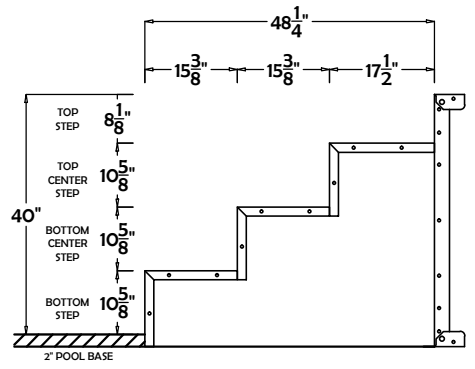
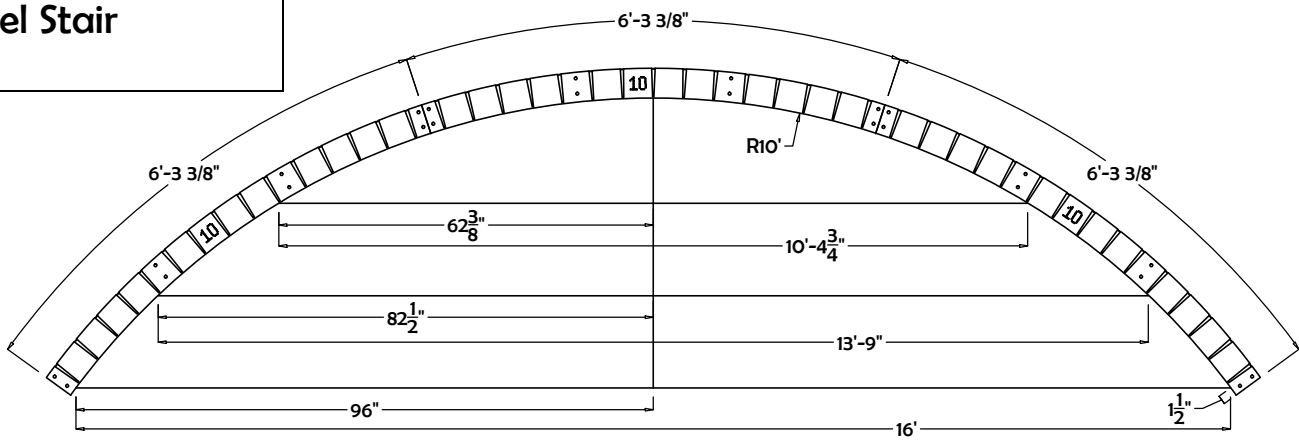
BOTTOM
EDGE CAP
#04N267



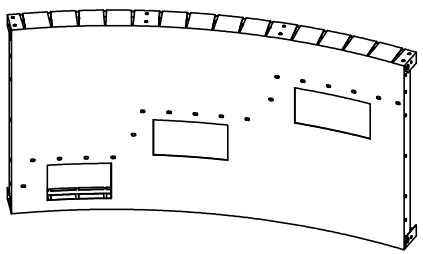
9'R FREEFORM
STAIR FILLER
RIGHT - #04N275
LEFT - #04N276
(alt. #04N275U)
(Universal Left & Right)

FREEFORM FILLERS FOR CLOSED TOP & NEXUS UNITS
WILL TRANSITION FROM UNIQUE LEFT & RIGHT
PARTS TO UNIVERSAL FILLERS OVER THE 2022
SEASON. PLEASE NOTE ALTERNATE CODE #'S MAY BE
SUBSTITUTED IN THE ASSEMBLY

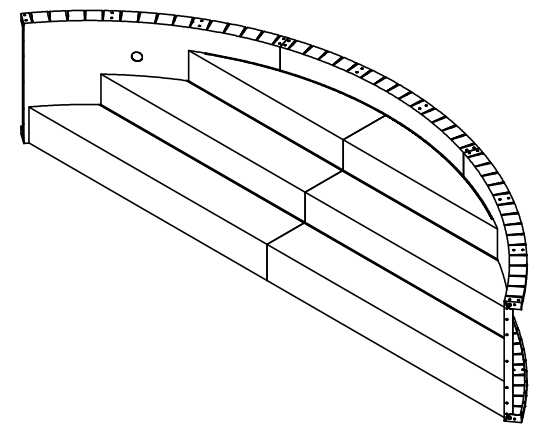
10'R x 16'W Steel Stair
Full Steel



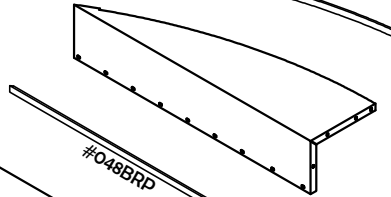
RIGHT RADIUS STAIR PANEL w/RETURN #04541B



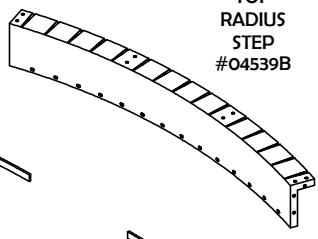
10'R x 16'W STAIR COMPLETE:
FREE FORM #04528B
(NO FILLERS ARE REQUIRED FOR THE INSTALLATION OF THIS STAIR)



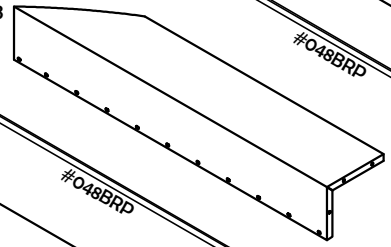
RIGHT TOP CENTER STEP #04543B



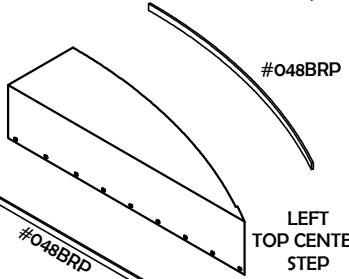
TOP RADIUS STEP #04539B



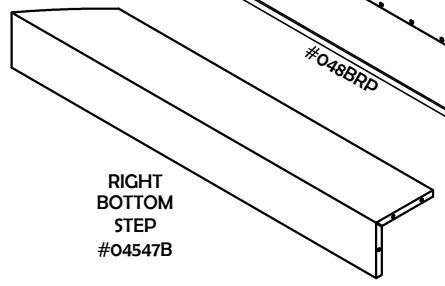
RIGHT BOTTOM CENTER STEP #04545B



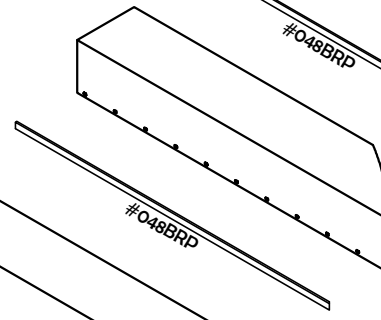
LEFT TOP CENTER STEP #04542B



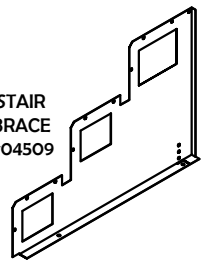
RIGHT BOTTOM STEP #04547B



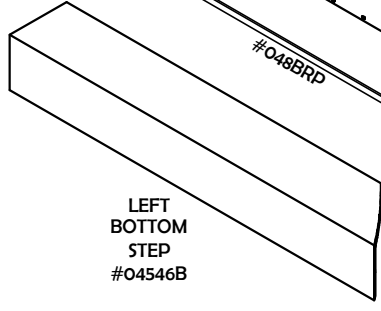
LEFT BOTTOM CENTER STEP #04544B



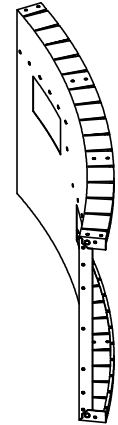
STAIR BRACE #04509



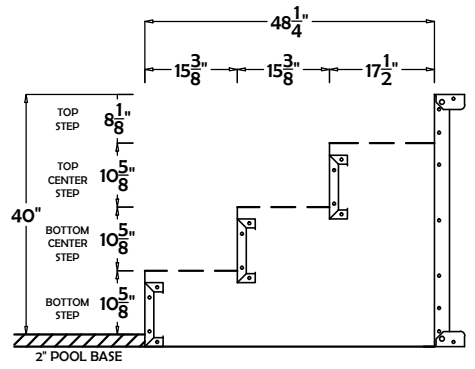
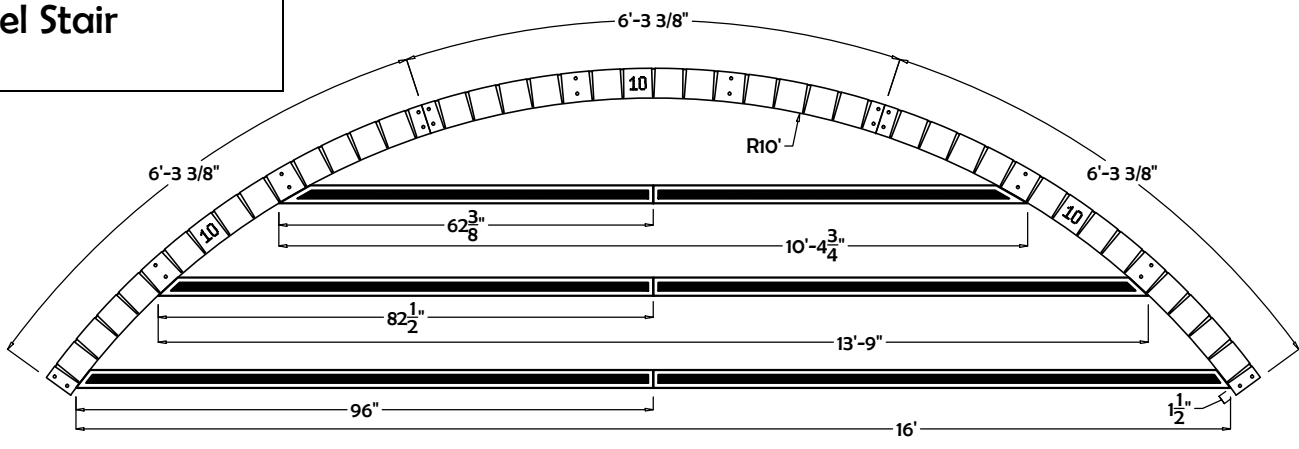
LEFT BOTTOM STEP #04546B



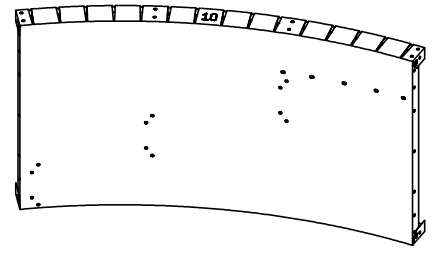
LEFT RADIUS STAIR PANEL #04540B



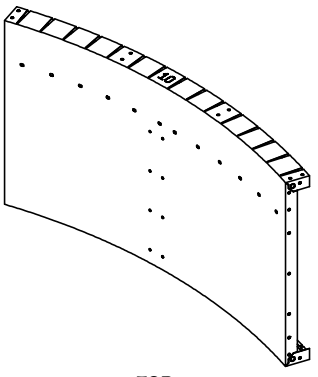
**10'R x 16'W Steel Stair
Nexus**



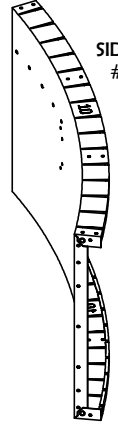
**10'R x 16'W NEXUS STAIR COMPLETE:
FREE FORM #04528BNS
(NO FILLERS ARE REQUIRED FOR THE
INSTALLATION OF THIS STAIR)**



**RIGHT
SIDE PANEL
#04N290**



**CENTER
PANEL
#04N292**



**LEFT
SIDE PANEL
#04N291**

**CENTER
EDGE CAP
#04N288**

**RIGHT
TOP FORM
#04N285**

**TOP
EDGE CAP
#04N289**

**RIGHT
CENTER
FORM
#04N283**

**BOTTOM
EDGE CAP
#04N287**

**TOP
EDGE CAP
#04N289**

**RIGHT
BOTTOM
FORM
#04N281**

**LEFT
TOP FORM
#04N286**

**CENTER
EDGE CAP
#04N288**

**RADIUS
STAIR
BRACE
#04N200**

**LEFT
CENTER
FORM
#04N284**

**LEFT
BOTTOM
FORM
#04N282**

**BOTTOM
EDGE CAP
#04N287**

Straight Stair Assembly

Guidelines for Full Steel Stairs

Initially hand tighten all bolts when assembling the stair unit. It is **CRUCIAL** that the final assembly of these products is done **SQUARE, LEVEL** and with the **CORRECT FINISHED DIMENSIONS** to ensure a proper liner fit. Before fully tightening all bolts, verify all the tread and riser measurements are correct.

1. Attach the bead receiver to each tread using Tek screws (Fig. 1). One piece of bead receiver cut to length for each individual tread section.
2. Bolt left and right side stair panels to the left and right stair fillers (Fig. 2).
3. Bolt the bottom step to the left and right stair fillers and side panels assembly (Fig. 3). The riser of the bottom step should be flush with the end of the stair filler.
4. Bolt the center step to the left and right side panels and bolt the treads and risers together (Fig. 4). Each step will have 2 center step sections.
5. Bolt the top step to the left and right side panels and bolt the treads and risers together (Fig. 5).
6. Bolt the leveling plate to the bottom, rear edge of the left and right side panels (Fig 6).
7. For stair units longer than 8', a stair brace (Fig 7) will be bolted to each tread section seam (Fig 8).

Begin tightening bolts starting with the bottom riser bolts (Fig. 9). The riser of the bottom step should be flush with the end of the stair filler. This will help insure the finished stair assembly is square and level. Check tread and riser measurements as each step is bolted tight to ensure the correct finished dimensions are achieved (Fig. 10).

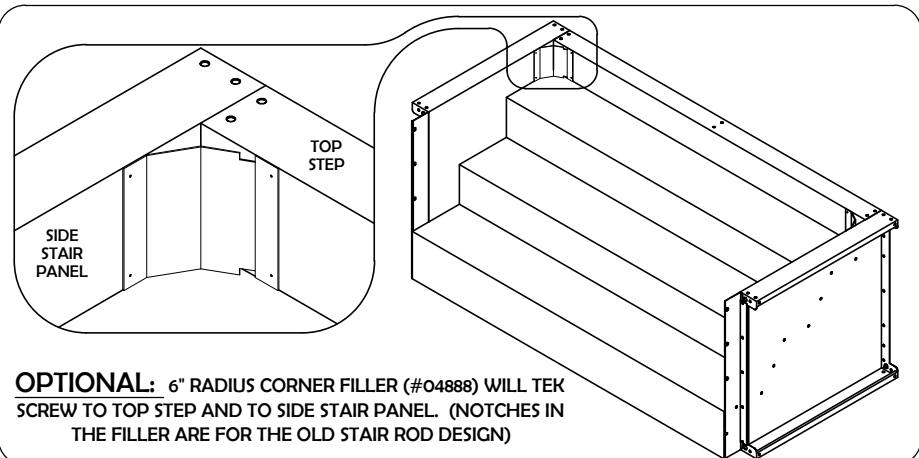
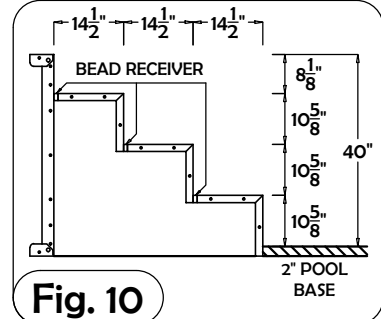
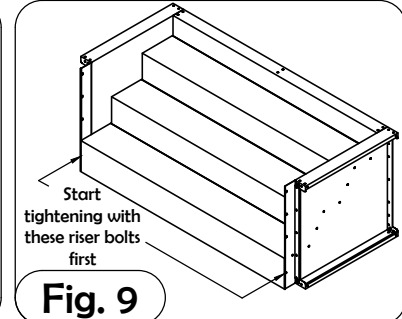
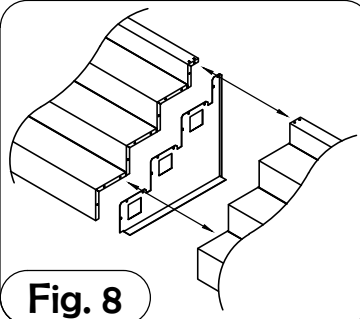
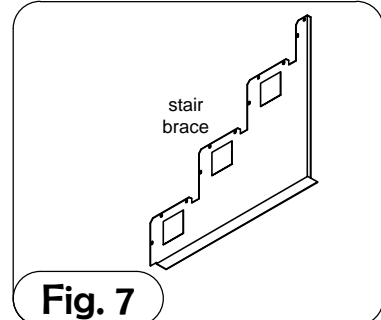
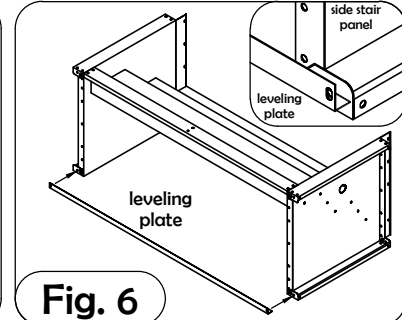
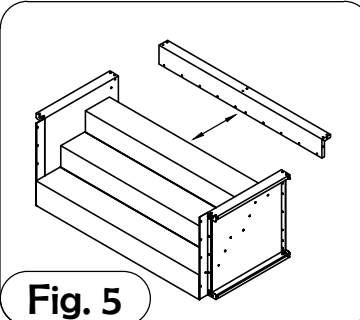
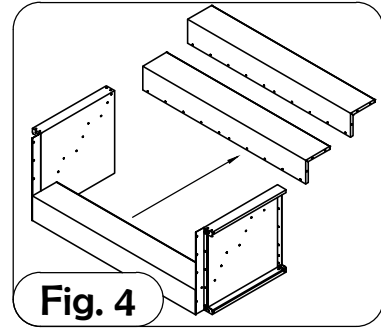
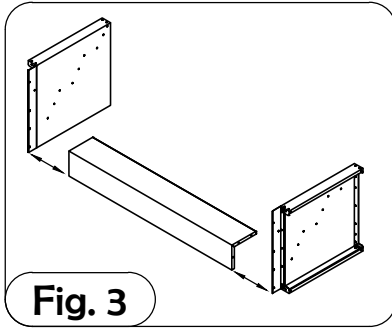
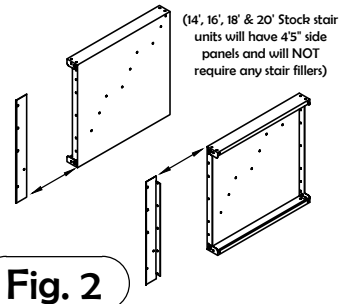
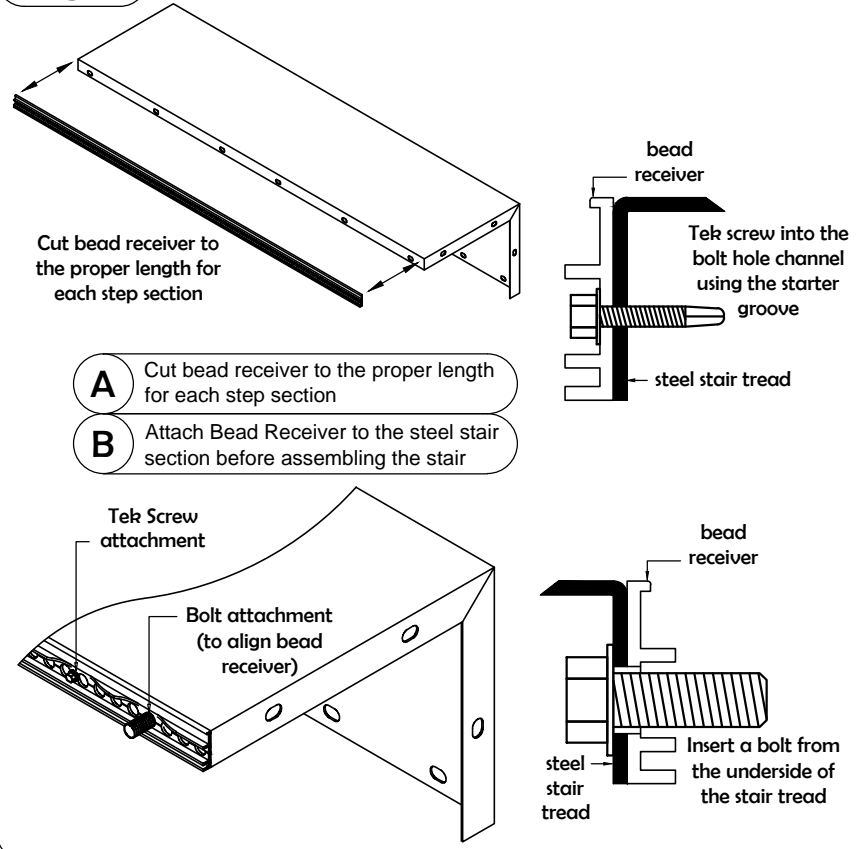


Fig. 1



Straight Stair Assembly Guidelines for Nexus Stairs

Initially hand tighten all bolts when assembling the stair unit. It is **CRUCIAL** that the final assembly of these products is done **SQUARE, LEVEL** and with the **CORRECT FINISHED DIMENSIONS** to ensure a proper liner fit. Before fully tightening all bolts, verify all the tread and riser measurements are correct.

1. Bolt stair fillers to the left and right side stair panels (Fig. 1).
2. Bolt left and right side stair panel assemblies to the back stair panel (Fig. 2). For stair units larger than 8', multiple back panels will be required.
3. For stair units larger than 8', bolt the straight stair brace to the back stair panels (Fig. 3). For 4', 6' & 8' stair units, no stair brace is required.
4. Bolt the top center step forms together (through stair brace if one is needed) starting with the upper tread level. Bolt form ends to side stair panels (Fig. 4).
5. Bolt the bottom step forms together (through stair brace if one is needed). Bolt form ends to side stair panels (Fig. 5).
6. Tek screw edge caps to the corresponding riser forms starting with the top step (Fig. 6).
7. Bolt the bead receiver to each step riser. (Fig. 7).

Begin tightening bolts starting with the bottom step form bolts. The bottom riser should be flush with the end of the stair filler. This will help insure the finished stair assembly is square and level. Check tread and riser measurements as each step is bolted tight to ensure the correct finished dimensions are achieved.

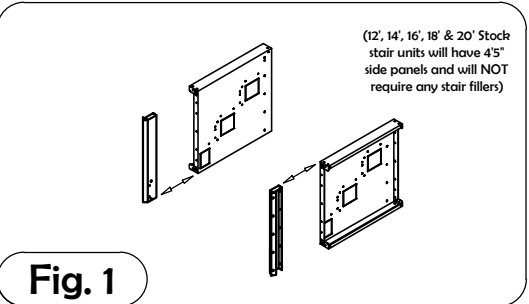
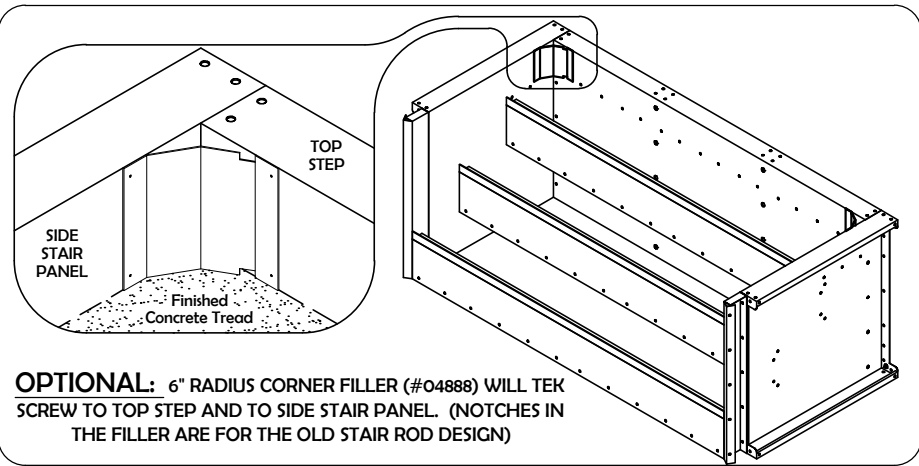


Fig. 1

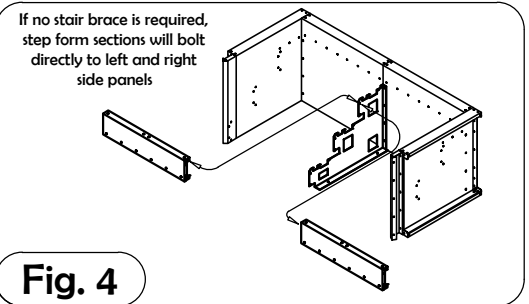


Fig. 4

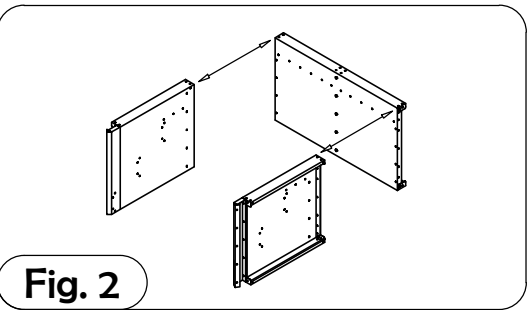


Fig. 2

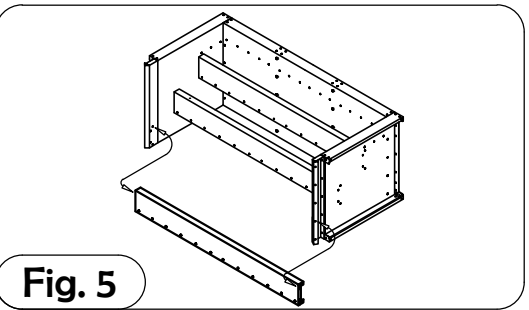


Fig. 5

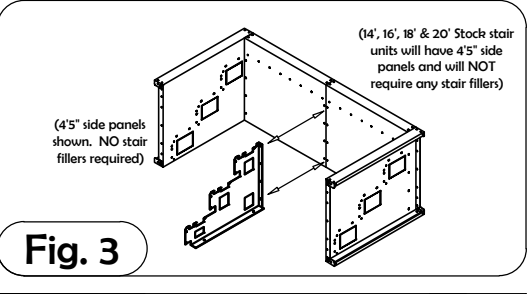


Fig. 3

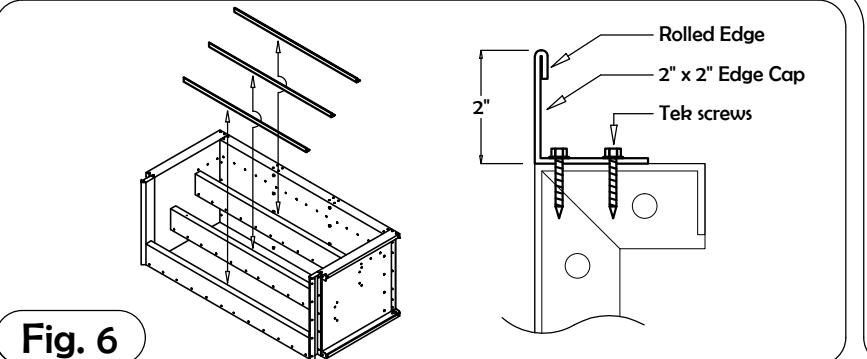


Fig. 6

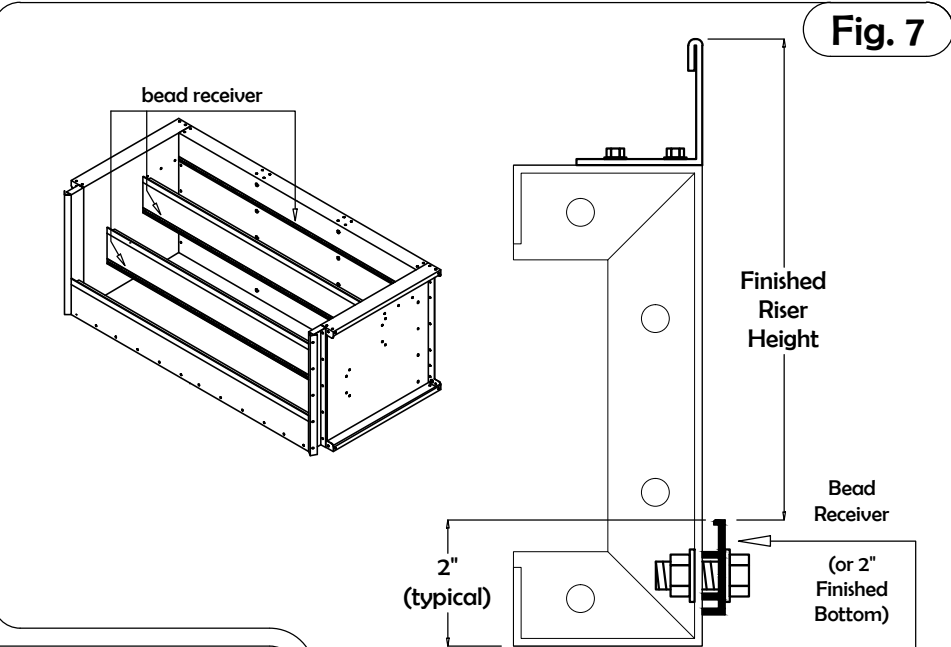
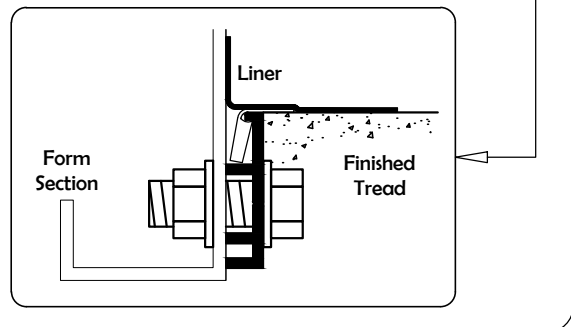
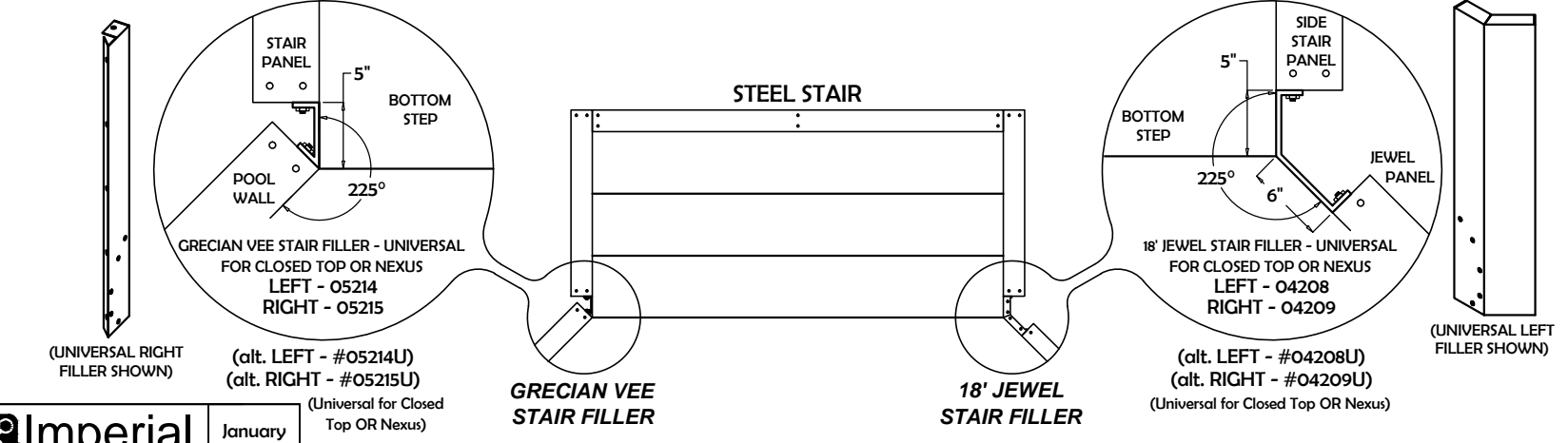
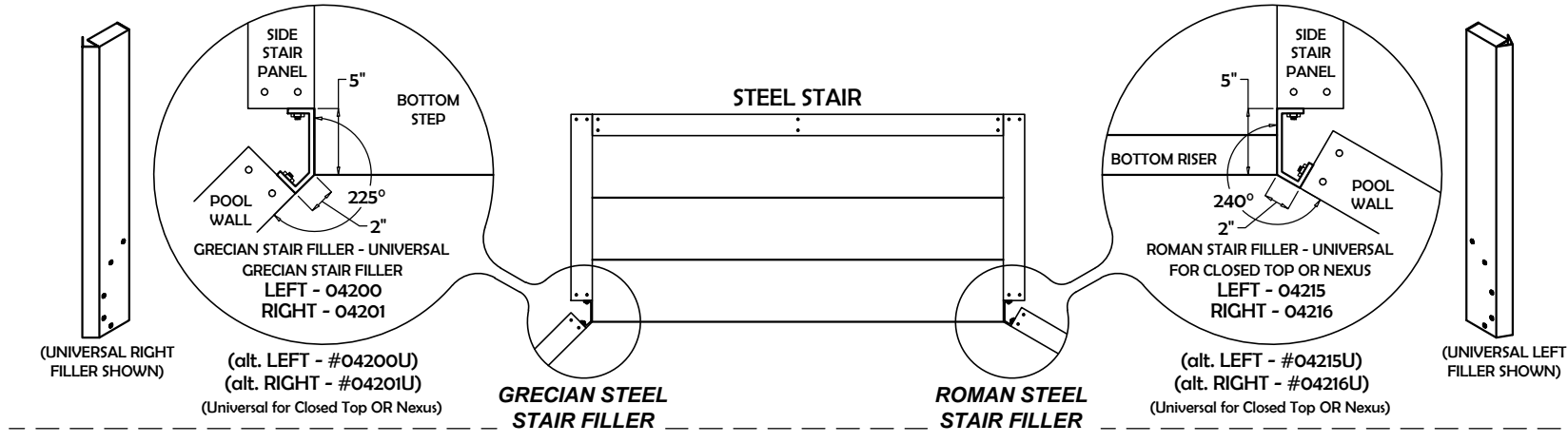
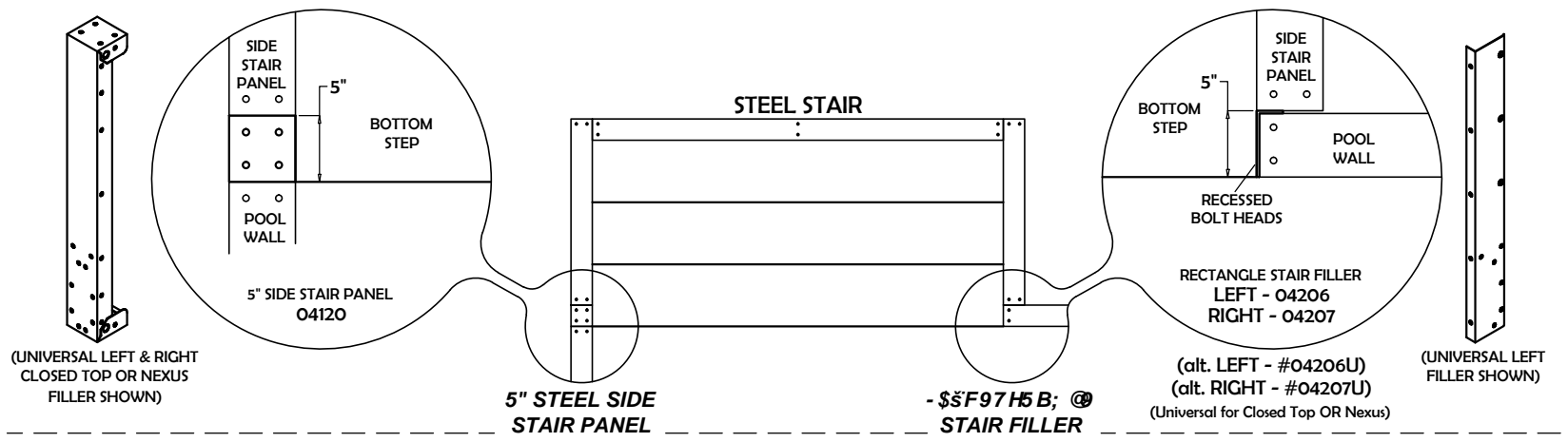


Fig. 7

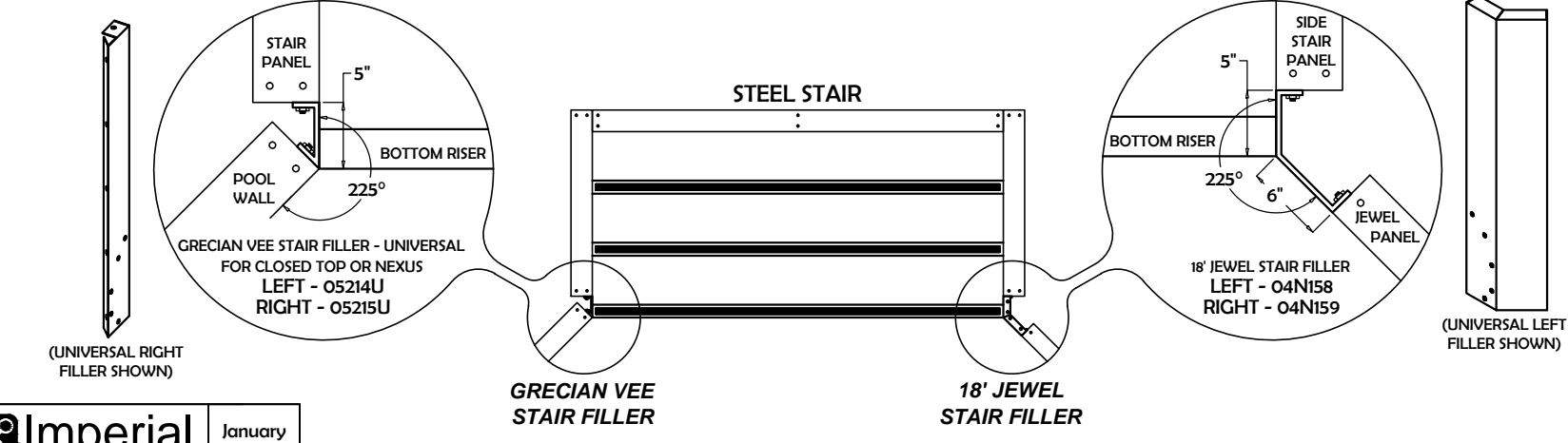
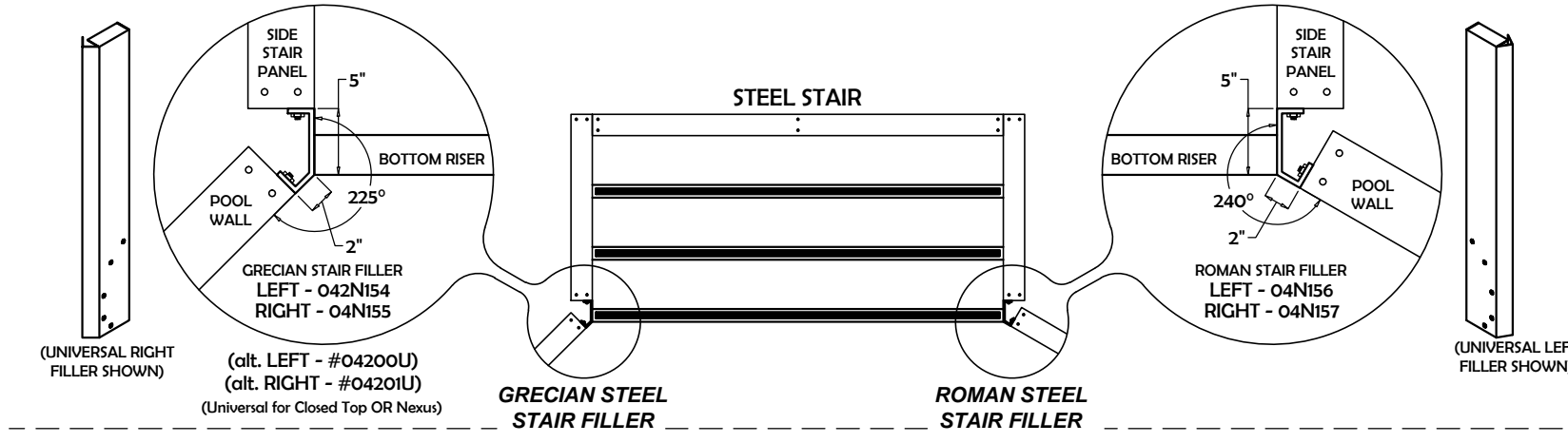
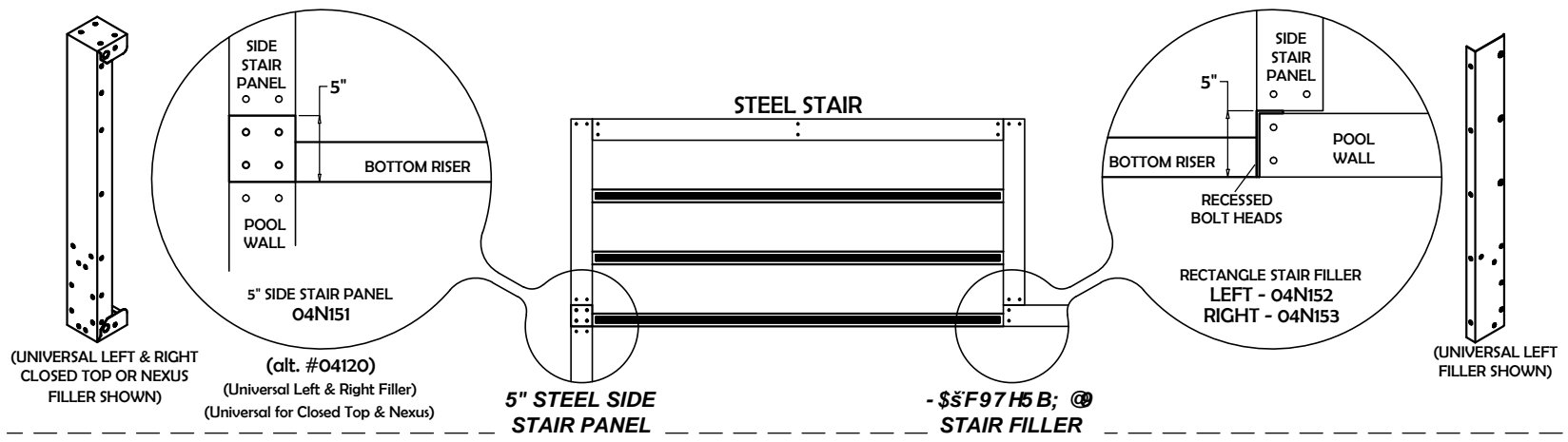


Full Steel & Nexus Universal Straight Stair Fillers



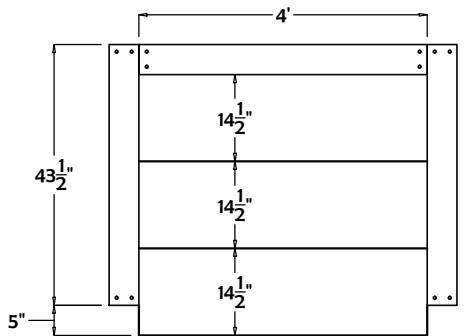
FILLERS FOR CLOSED TOP & NEXUS STRAIGHT STAIR UNITS WILL TRANSITION FROM UNIQUE LEFT & RIGHT PARTS TO UNIVERSAL FILLERS OVER THE 2022 SEASON. PLEASE NOTE ALTERNATE CODE #'s MAY BE SUBSTITUTED IN THE ASSEMBLY

Full Steel & Nexus Universal Straight Stair Fillers

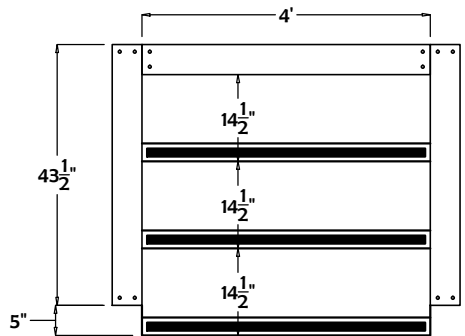


FILLERS FOR CLOSED TOP & NEXUS STRAIGHT STAIR UNITS WILL TRANSITION FROM UNIQUE LEFT & RIGHT PARTS TO UNIVERSAL FILLERS OVER THE 2022 SEASON. PLEASE NOTE ALTERNATE CODE #'S MAY BE SUBSTITUTED IN THE ASSEMBLY

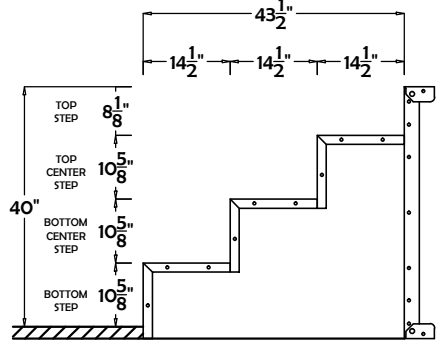
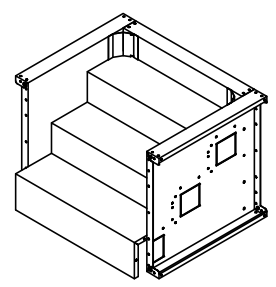
4' Straight Stairs Full Steel & Nexus



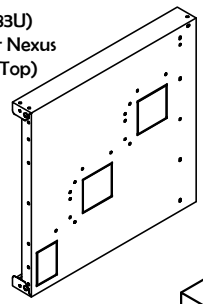
4' STRAIGHT STAIR COMPLETE: #04150B



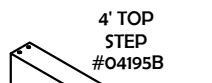
4' NEXUS STRAIGHT STAIR COMPLETE: #04150BNS



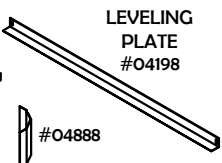
RIGHT STAIR
PANEL
#04183
(alt. #04183U)
(Universal for Nexus
OR Closed Top)



#04888

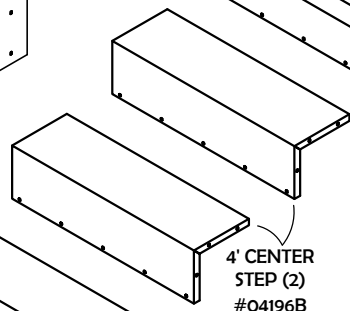


4' TOP
STEP
#04195B

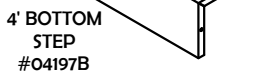


LEVELING
PLATE
#04198

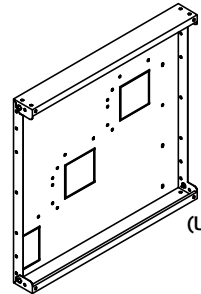
#04888



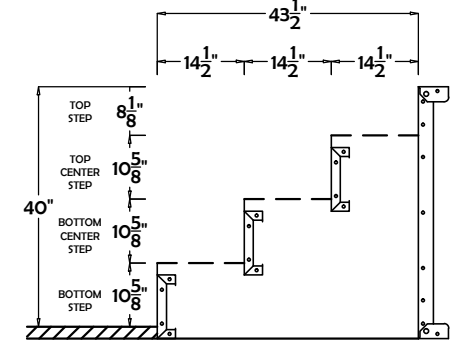
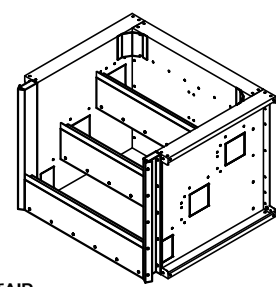
4' CENTER
STEP (2)
#04196B



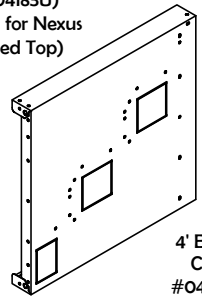
4' BOTTOM
STEP
#04197B



LEFT STAIR
PANEL
#04181
(alt. #04181U)
(Universal for Nexus
OR Closed Top)



RIGHT STAIR
PANEL
#04N006
(alt. #04183U)
(Universal for Nexus
OR Closed Top)



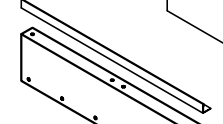
#04888



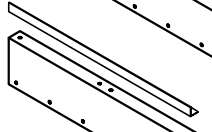
4' BACK
PANEL
#04N001

#04888

4' EDGE
CAP
#04N015



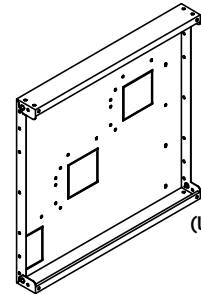
4' EDGE
CAP
#04N015



4' CENTER
FORM
#04N008



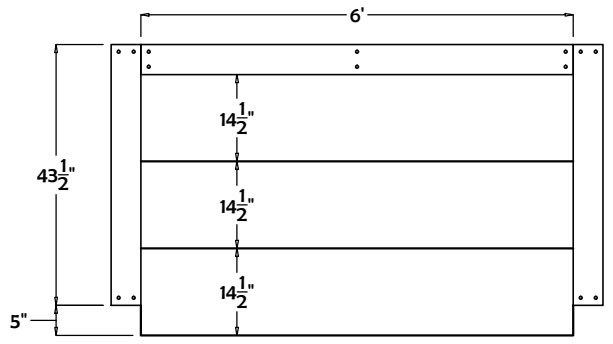
4' CENTER
FORM
#04N008



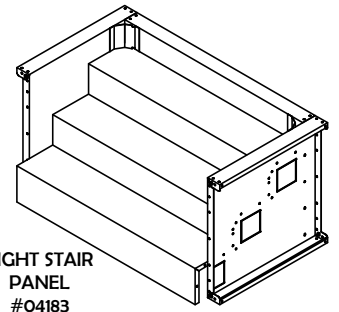
LEFT STAIR
PANEL
#04N004
(alt. #04181U)
(Universal for Nexus
OR Closed Top)

37 1/2" SIDE PANELS WILL TRANSITION TO UNIVERSAL PANELS FOR CLOSED TOP & NEXUS UNITS OVER THE 2022 SEASON. PLEASE NOTE ALTERNATE CODE #'S MAY BE SUBSTITUTED IN THE ASSEMBLY

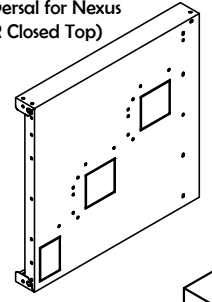
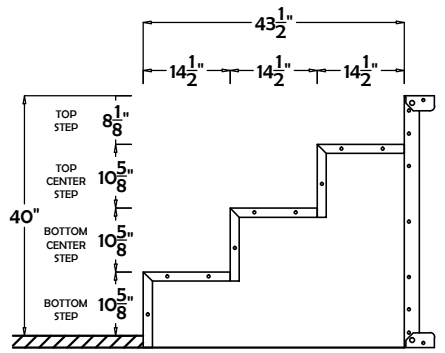
6' Straight Stairs Full Steel & Nexus



6' STRAIGHT STAIR COMPLETE: #04151B

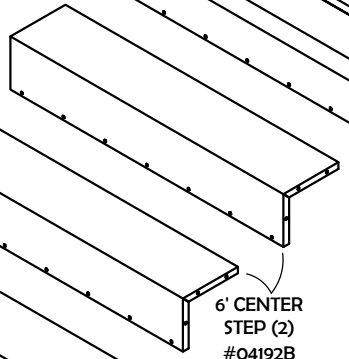


RIGHT STAIR
PANEL
#04183
(alt. #04183U)
(Universal for Nexus
OR Closed Top)

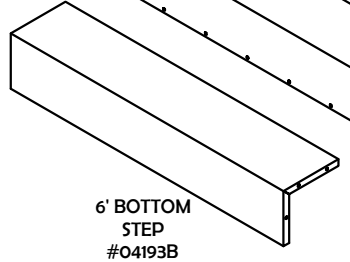


#04888

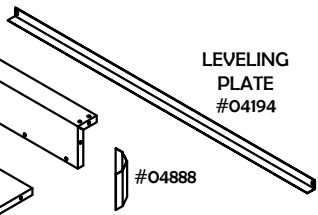
6' TOP
STEP
#04191B



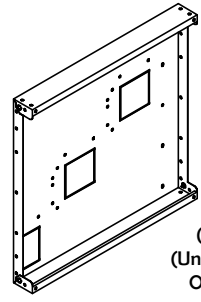
6' CENTER
STEP (2)
#04192B



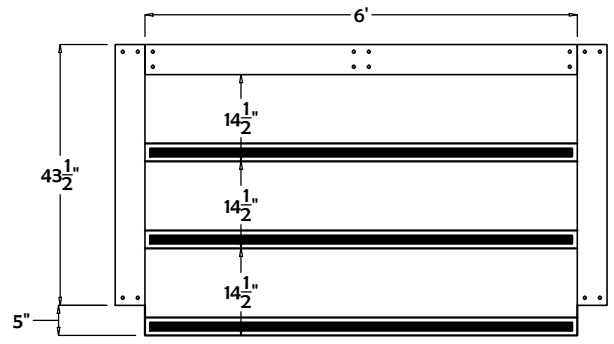
6' BOTTOM
STEP
#04193B



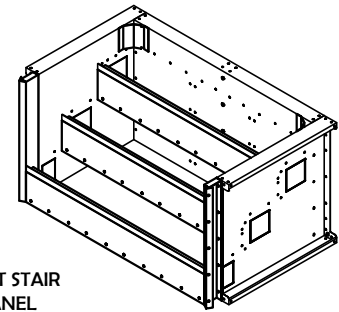
LEVELING
PLATE
#04194



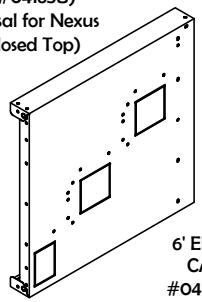
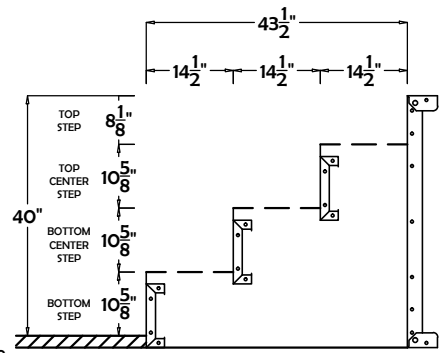
LEFT STAIR
PANEL
#04181
(alt. #04181U)
(Universal for Nexus
OR Closed Top)



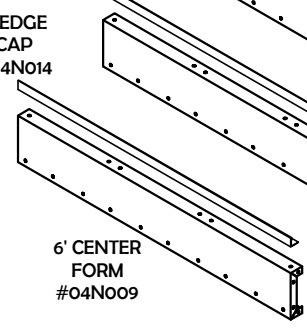
6' NEXUS STRAIGHT STAIR COMPLETE: #04151BNS



RIGHT STAIR
PANEL
#04N006
(alt. #04183U)
(Universal for Nexus
OR Closed Top)

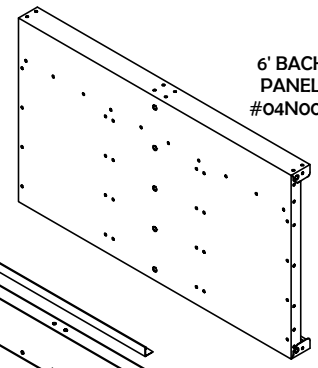


6' EDGE
CAP
#04N014



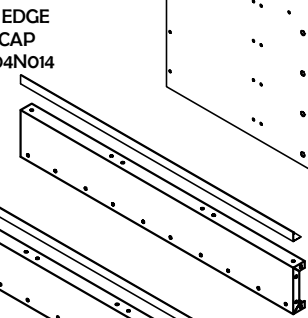
6' CENTER
FORM
#04N009

#04888

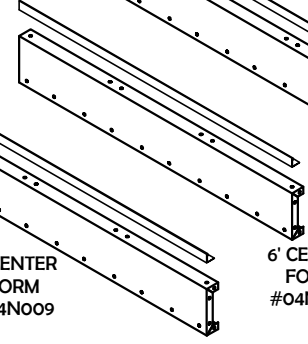


6' BACK
PANEL
#04N002

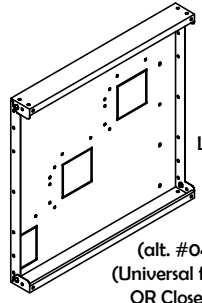
#04888



6' EDGE
CAP
#04N014



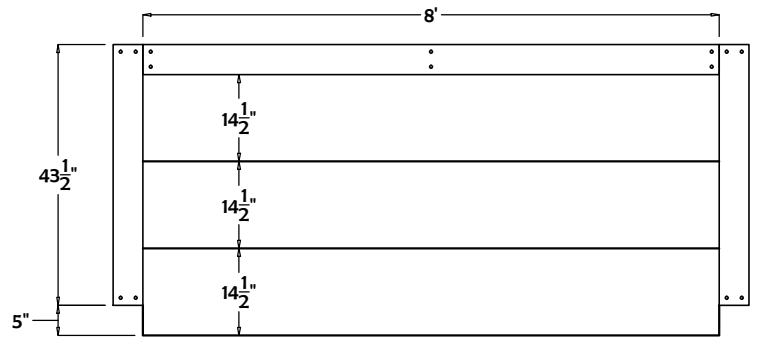
6' CENTER
FORM
#04N009



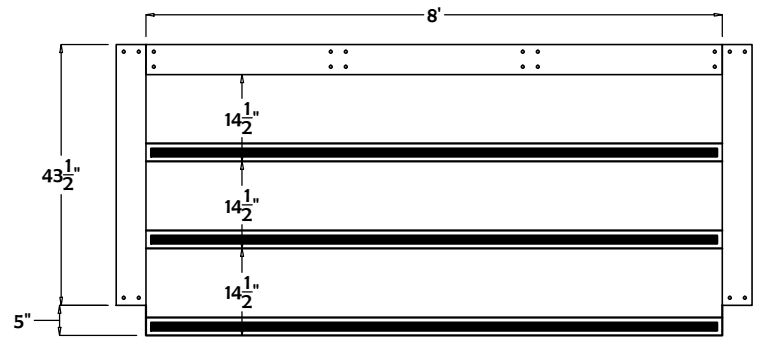
LEFT STAIR
PANEL
#04N004
(alt. #04181U)
(Universal for Nexus
OR Closed Top)

37 1/2" SIDE PANELS WILL TRANSITION TO UNIVERSAL PANELS FOR CLOSED TOP & NEXUS UNITS OVER THE 2022 SEASON. PLEASE NOTE ALTERNATE CODE #'S MAY BE SUBSTITUTED IN THE ASSEMBLY

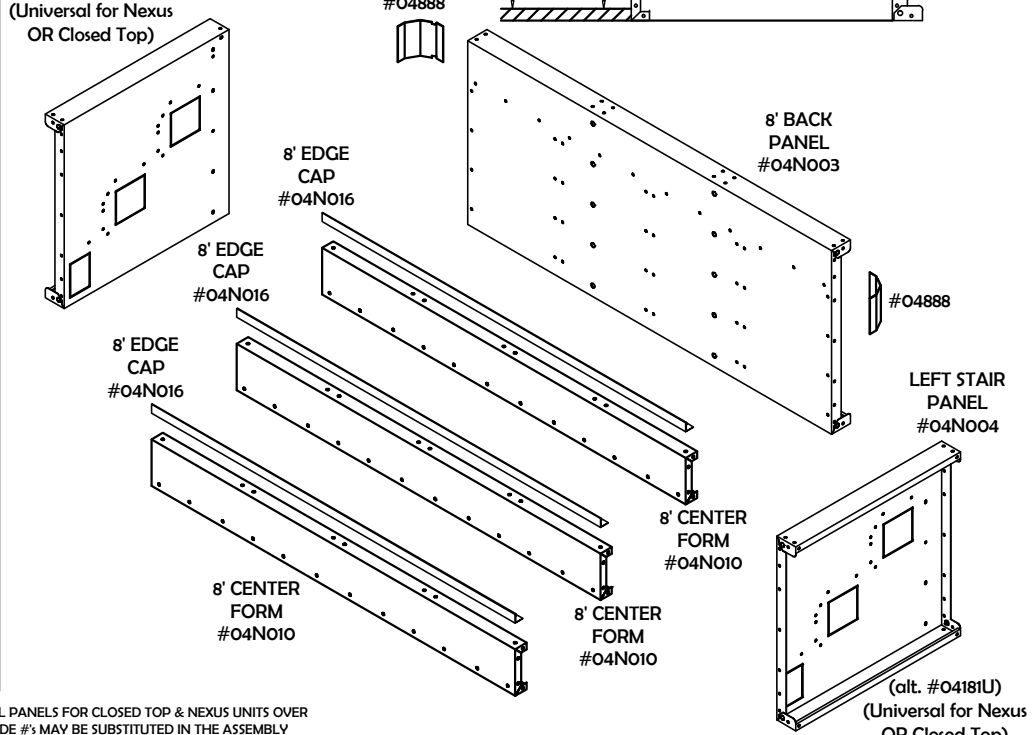
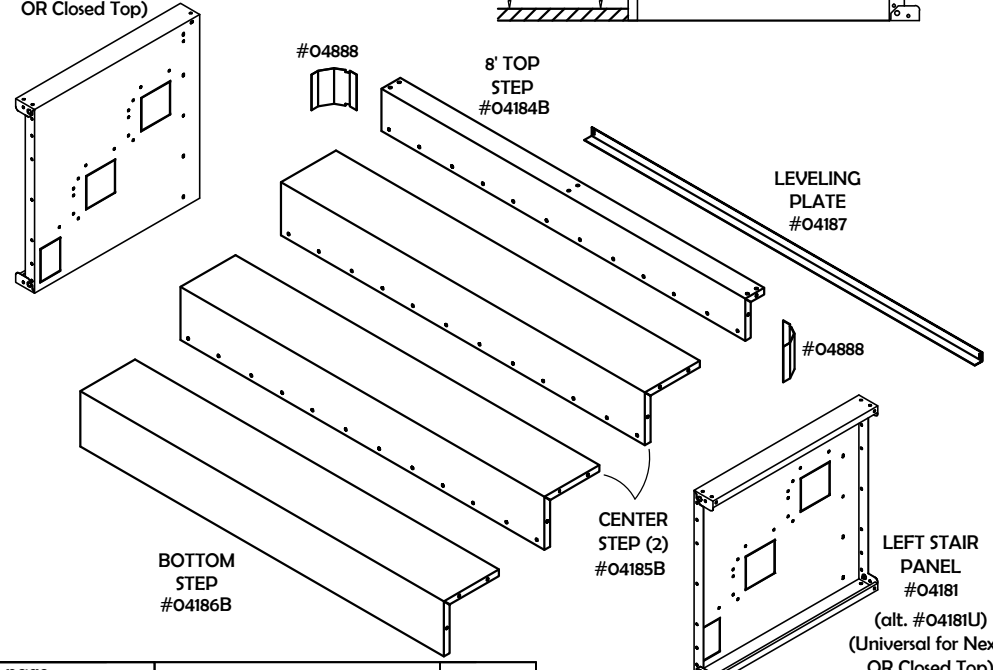
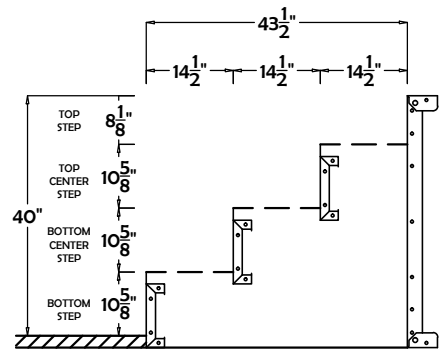
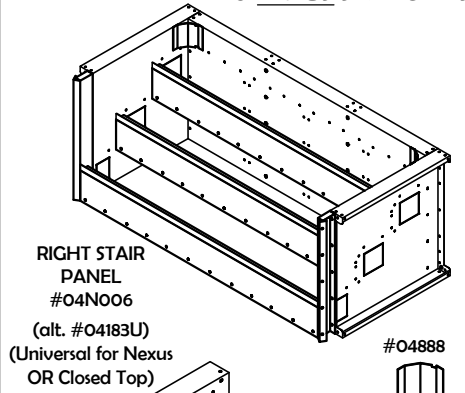
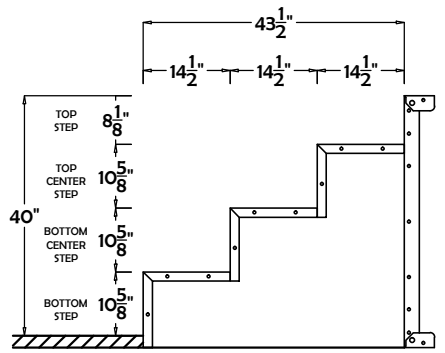
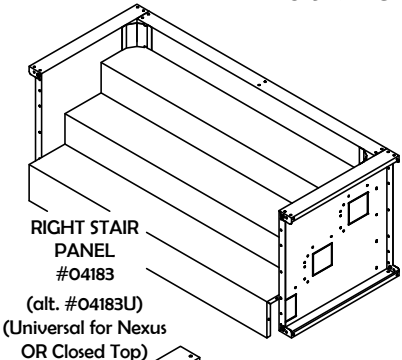
8' Straight Stairs Full Steel & Nexus



8' STRAIGHT STAIR COMPLETE: #04188B



8' NEXUS STRAIGHT STAIR COMPLETE: #04188BNS

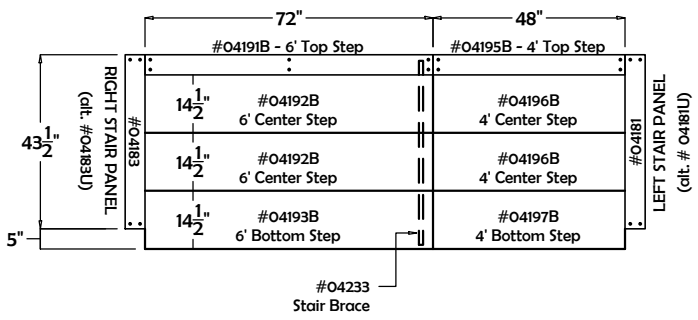


37 1/2" SIDE PANELS WILL TRANSITION TO UNIVERSAL PANELS FOR CLOSED TOP & NEXUS UNITS OVER THE 2022 SEASON. PLEASE NOTE ALTERNATE CODE #'S MAY BE SUBSTITUTED IN THE ASSEMBLY

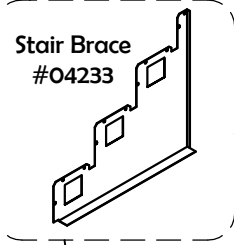
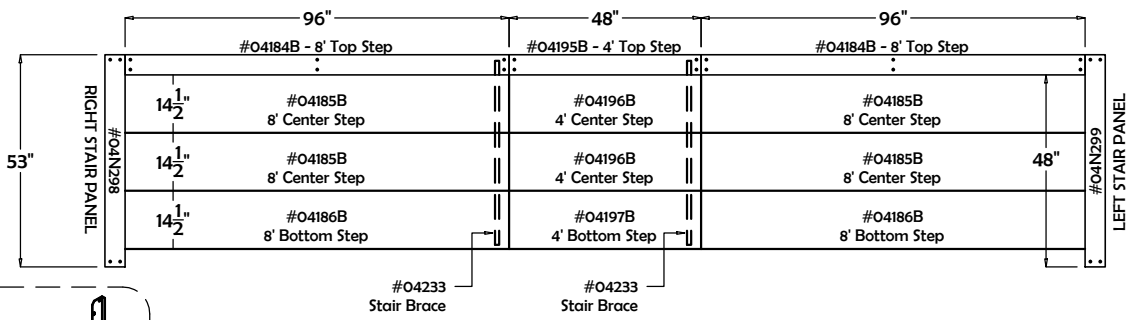
10', 12', 14', 16', 18' & 20' Straight Stairs - Full Steel

NOTE: All 10', 12', 14', 16', 18' & 20' stair units are assembled using stock 4', 6' & 8' stair components. All joints between stair tread sections will be supported by a stair brace (#04233). See the drawings below for the component breakdown of each stair unit. 12', 14', 16', 18' & 20' stair units will use 4'5" right (#04N298) & left (#04N299) side panels and will NOT require stair fillers.

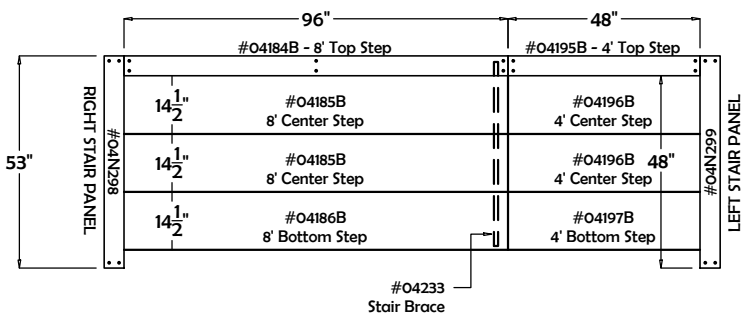
10' STRAIGHT STAIR COMPLETE: #04515B



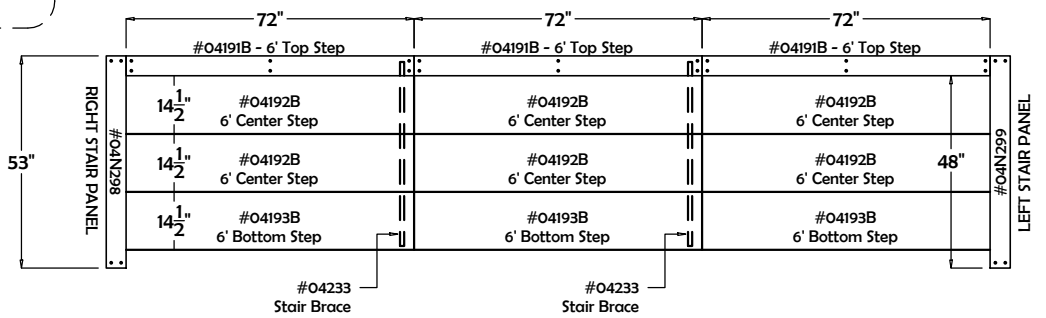
20' STRAIGHT STAIR COMPLETE: #04522B



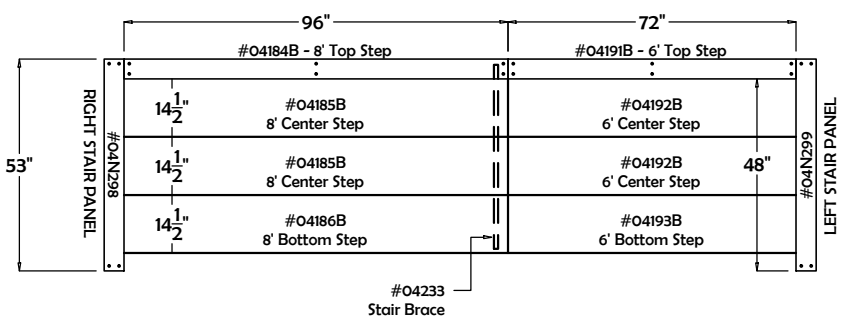
12' STRAIGHT STAIR COMPLETE: #04516B



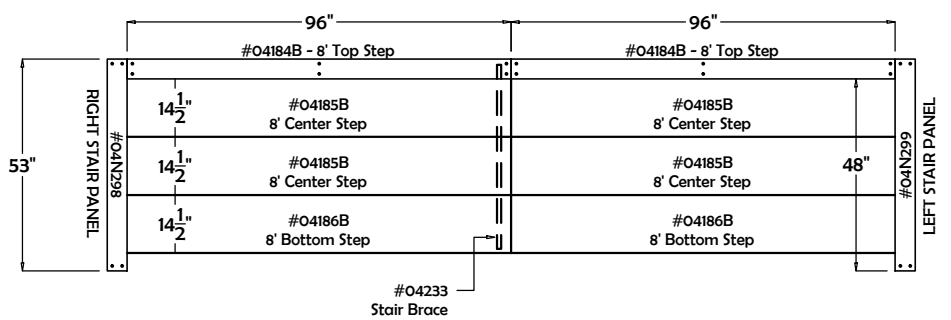
18' STRAIGHT STAIR COMPLETE: #04520B



14' STRAIGHT STAIR COMPLETE: #04514B



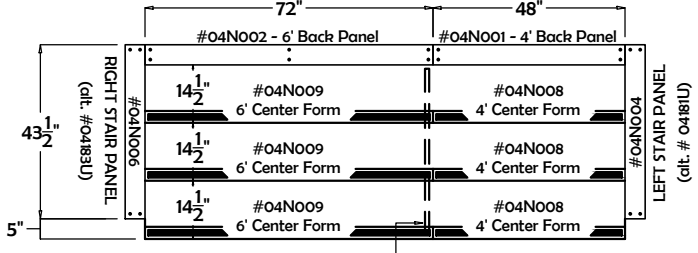
16' STRAIGHT STAIR COMPLETE: #04518B



10', 12', 14', 16', 18' & 20' Straight Stairs - Nexus

NOTE: All 10', 12', 14', 16', 18' & 20' stair units are assembled using stock 4', 6' & 8' stair components. All joints between stair tread sections will be supported by a stair brace (#04N150). See the drawings below for the component breakdown of each stair unit. 12', 14', 16', 18' & 20' stair units will use 4' 5" right (#04N298) & left (#04N299) side panels and will NOT require stair fillers.

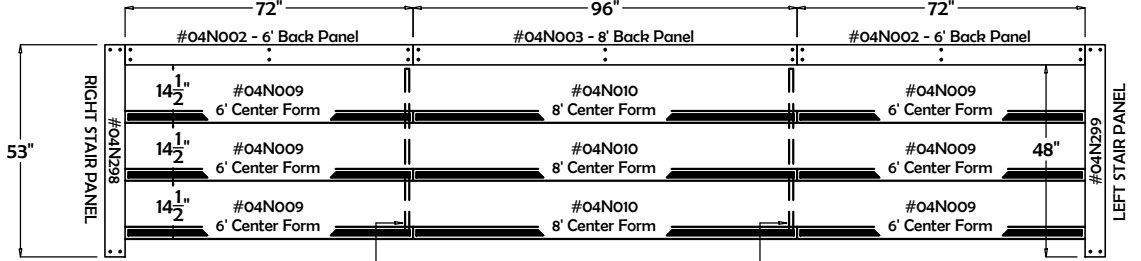
10' STRAIGHT NEXUS STAIR COMPLETE: #04515BNS



Edge Caps:
4' (04N015) - 3
6' (04N014) - 3

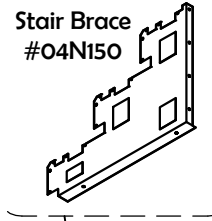
#04N150 Stair Brace

20' STRAIGHT NEXUS STAIR COMPLETE: #04522BNS

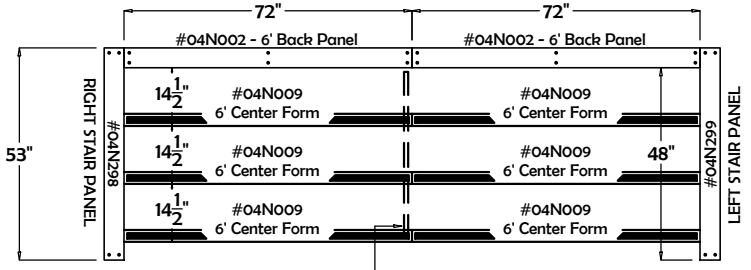


Edge Caps:
6' (04N014) - 6
8' (04N016) - 3

#04N150 Stair Brace



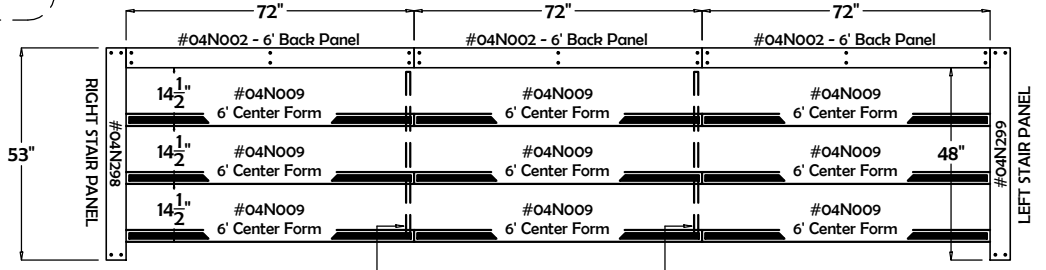
12' STRAIGHT NEXUS STAIR COMPLETE: #04516BNS



Edge Caps:
6' (04N014) - 6

#04N150 Stair Brace

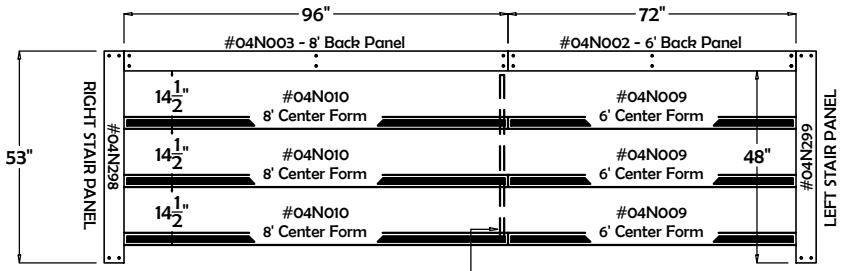
18' STRAIGHT NEXUS STAIR COMPLETE: #04520BNS



Edge Caps:
6' (04N014) - 9

#04N150 Stair Brace

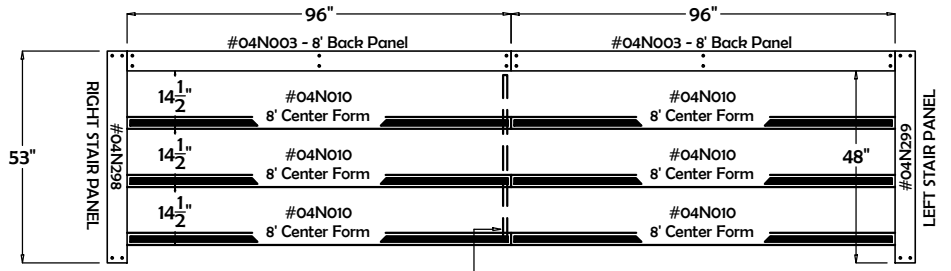
14' STRAIGHT NEXUS STAIR COMPLETE: #04514BNS



Edge Caps:
6' (04N014) - 3
8' (04N016) - 3

#04N150 Stair Brace

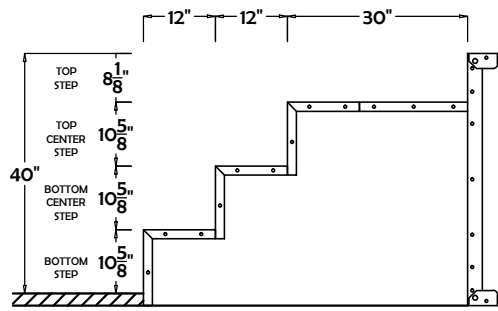
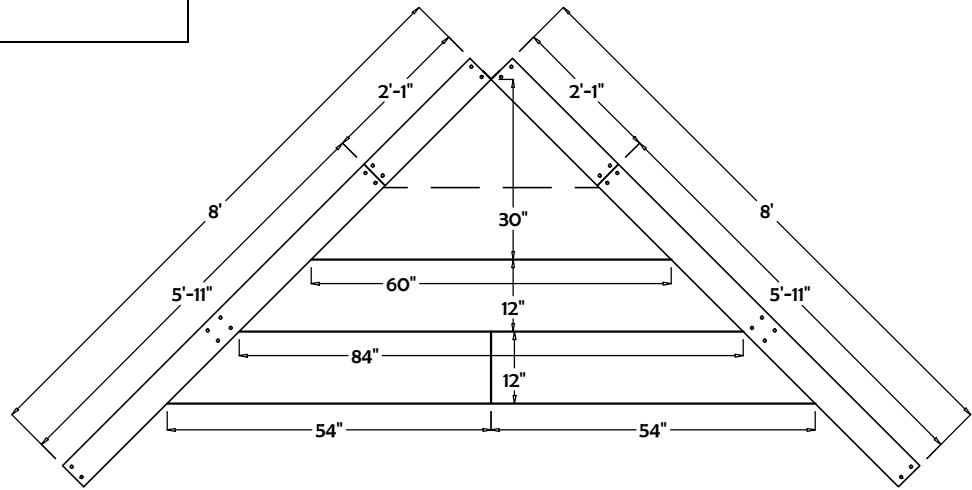
16' STRAIGHT NEXUS STAIR COMPLETE: #04518BNS



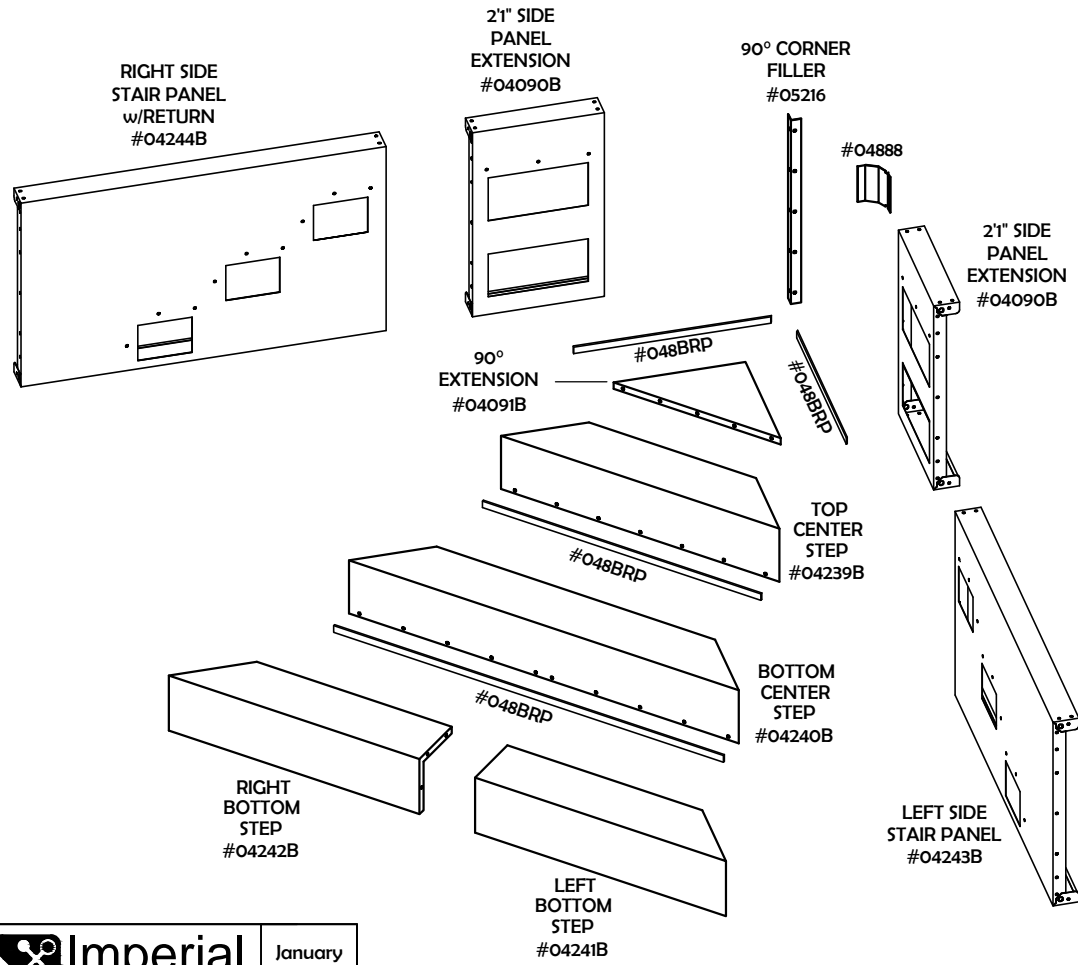
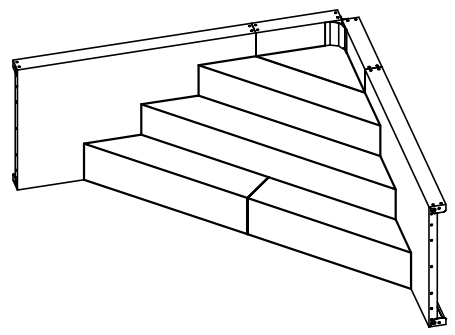
Edge Caps:
8' (04N016) - 6

#04N150 Stair Brace

90° Inside Corner Stair
Full Steel



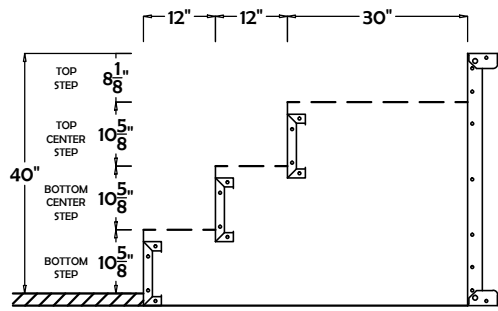
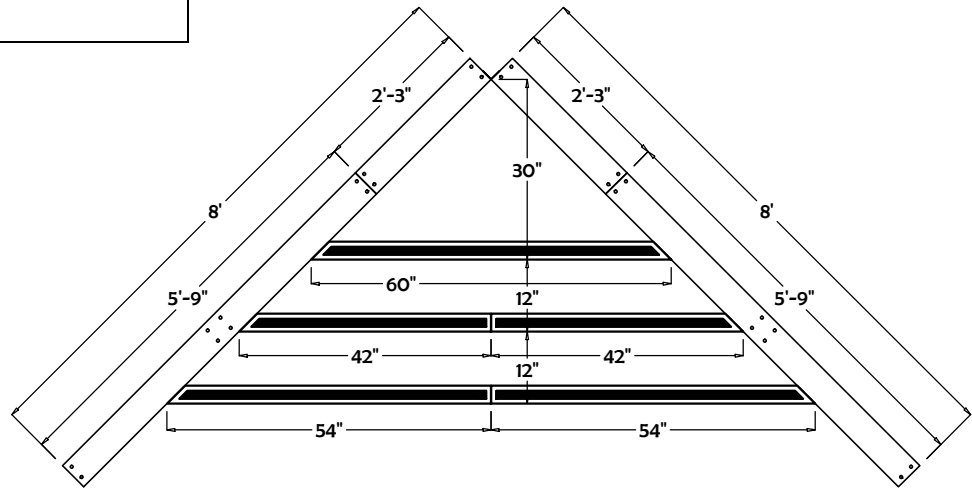
- \$S-BG-897CFB9F'GH5-F7CAD@H9.
#04237909B



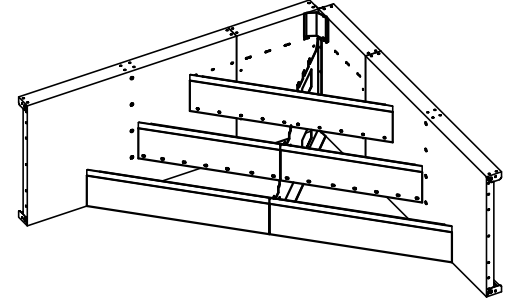
NOTE: Initially hand tighten all bolts when assembling the stair unit. Once assembled, begin tightening bolts starting with side stair panels bolting to each other, then to the steps. Proceed to fully tighten all remaining bolts.

1. Attach the bead receiver to each tread using Tek screws. One piece of bead receiver cut to length for each individual tread section. The factory end of the bead receiver should be placed at the central joint of the stair.
2. Bolt left and right bottom steps together.
3. Bolt assembled bottom step to left and right side stair panels.
4. Bolt bottom center step to bottom step and left and right side stair panels.
5. Bolt top center step to bottom center step and left and right side stair panels.
6. Depending on the step version, either bolt the 3' diagonal top step or the top step extension to the top center step and the left and right side stair panels.
7. For 90° or 2' radius versions, bolt the 2 1/2" extensions or 2' radius top step to the top step extension and the left and right side stair panels.

**90° Inside Corner Stair
Nexus**

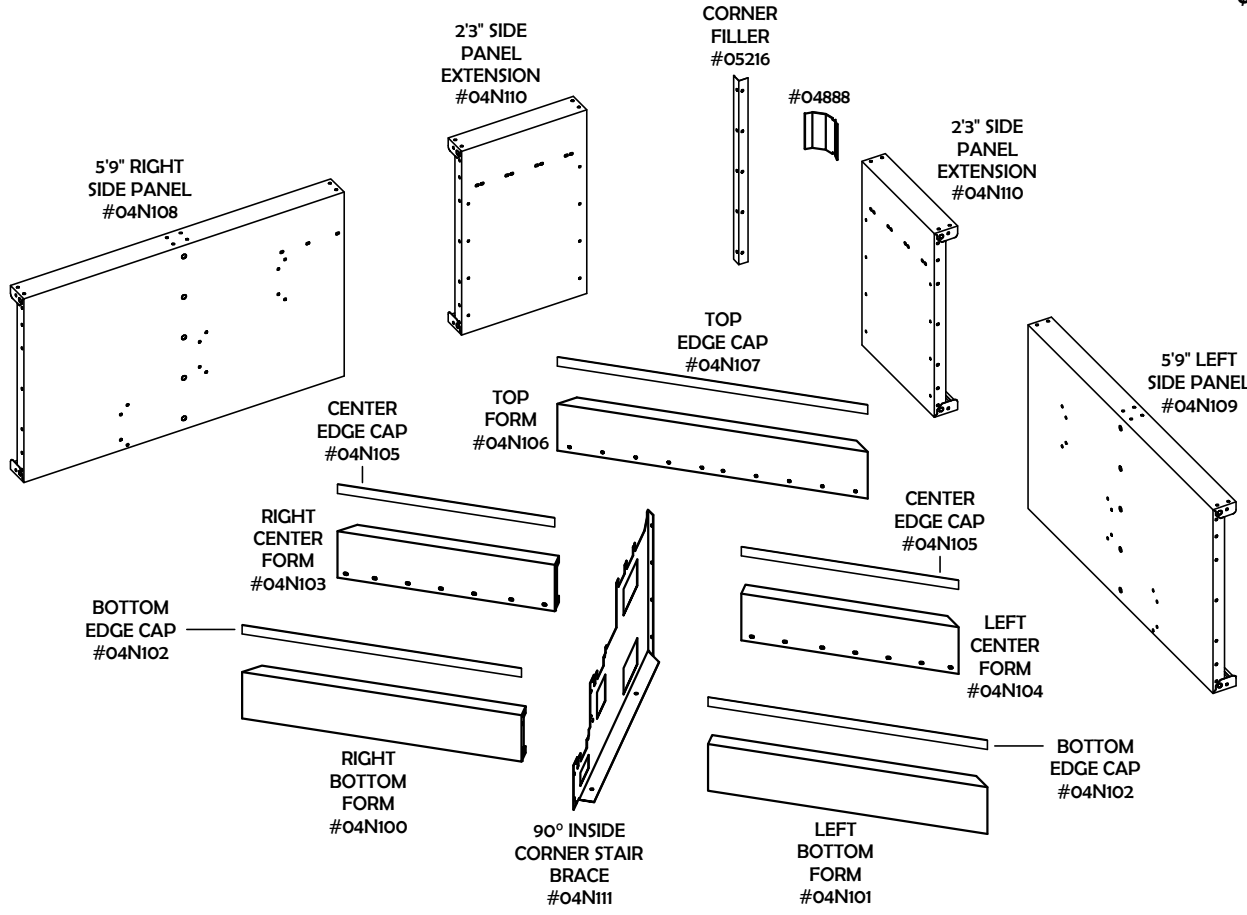


**- \$5-BG-89 7CFB9F "NEXUS" STAIR COMPLETE:
#04237909BNS**

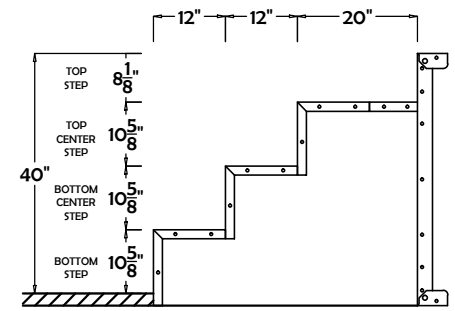
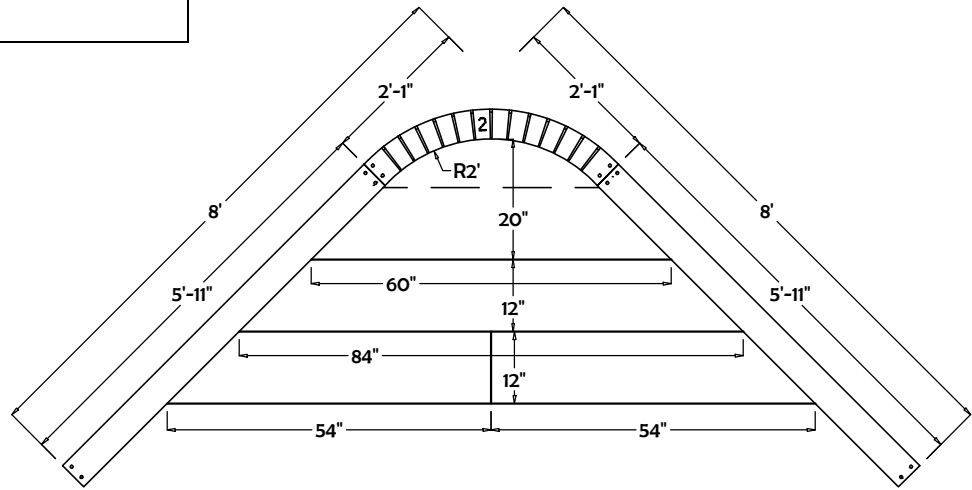


NOTE: Initially hand tighten all bolts when assembling the stair unit. Once assembled, begin tightening bolts starting with side stair panels bolting to each other, then to the steps. Proceed to fully tighten all remaining bolts.

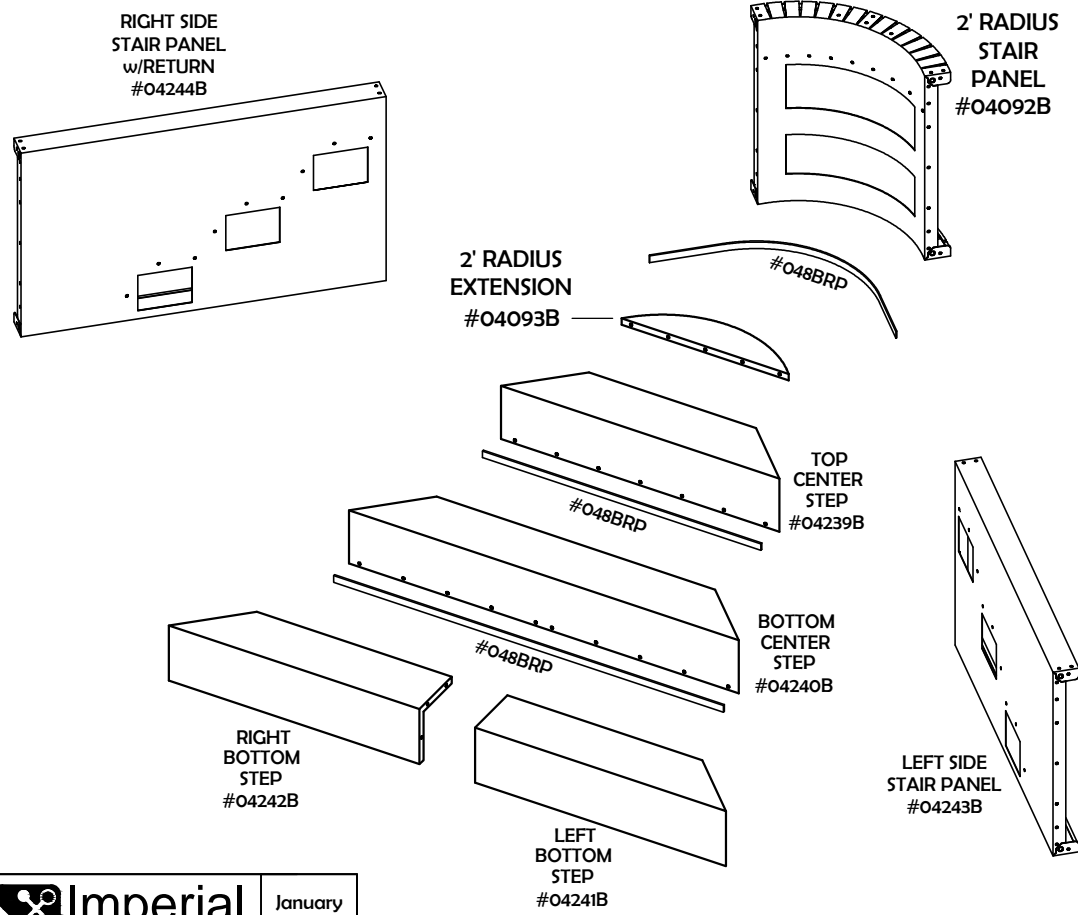
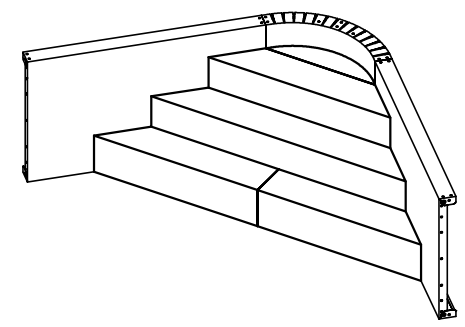
1. Bolt the left and right 5'9" side panels, 2'3" side panel extensions and corner filler together.
2. Bolt the 90° inside corner stair brace to the 2'3" extension panel.
3. Bolt the top step form to the left and right 5'9" side stair panels.
4. Bolt the left and right center step form through the stair brace and into the left and right 5'9" side stair panels.
5. Bolt the left and right bottom step form through the stair brace and into the left and right 5'9" side stair panels.
6. Tek screw edge caps to the corresponding riser forms starting with the top step.
7. Bolt the bead receiver to each step riser.



2' Radius Inside Corner Stair Full Steel



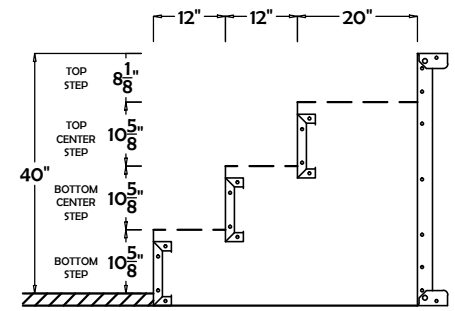
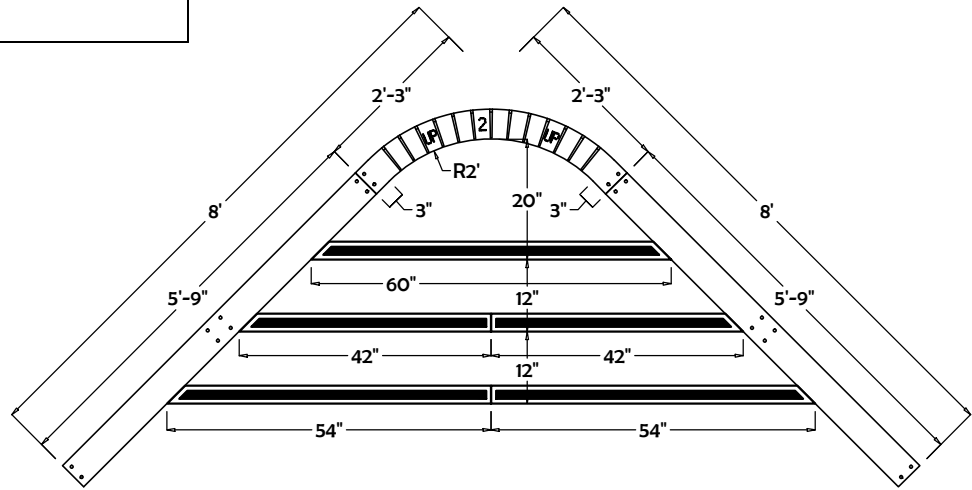
**2' RADIUS INSIDE CORNER STAIR COMPLETE:
#04237R09B**



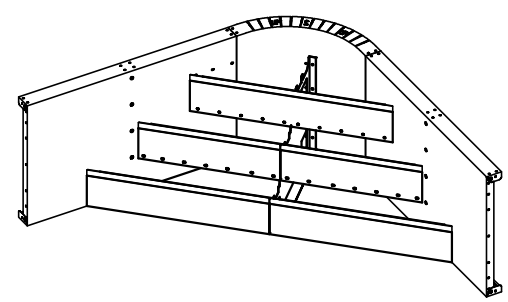
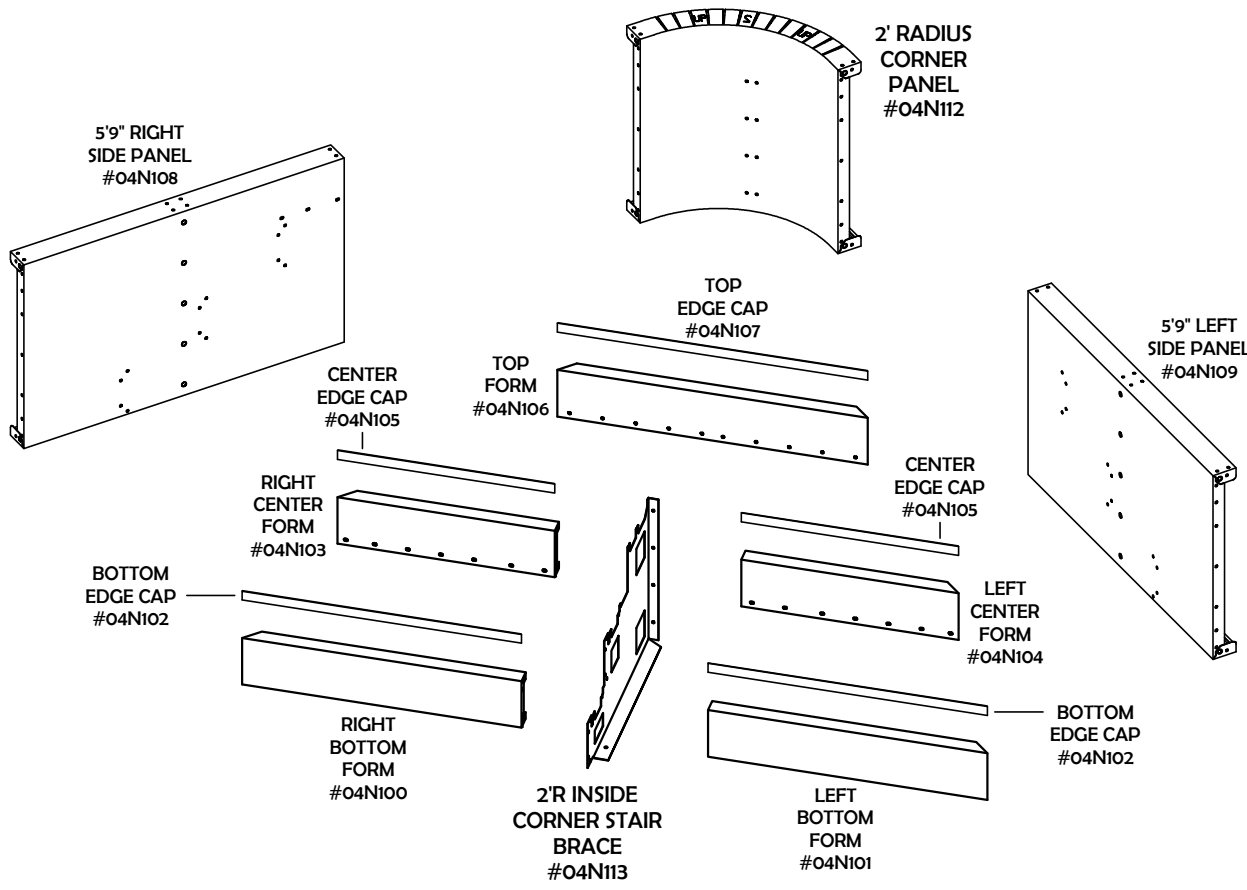
NOTE: Initially hand tighten all bolts when assembling the stair unit. Once assembled, begin tightening bolts starting with side stair panels bolting to each other, then to the steps. Proceed to fully tighten all remaining bolts.

1. Attach the bead receiver to each tread using Tek screws. One piece of bead receiver cut to length for each individual tread section. The factory end of the bead receiver should be placed at the central joint of the stair.
2. Bolt left and right bottom steps together.
3. Bolt assembled bottom step to left and right side stair panels.
4. Bolt bottom center step to bottom step and left and right side stair panels.
5. Bolt top center step to bottom center step and left and right side stair panels.
6. Depending on the step version, either bolt the 3' diagonal top step or the top step extension to the top center step and the left and right side stair panels.
7. For 90° or 2' radius versions, bolt the 2' extensions or 2' radius top step to the top step extension and the left and right side stair panels.

2' Radius Inside Corner Stair Nexus



**2' RADIUS INSIDE CORNER NEXUS STAIR COMPLETE:
#04237R09BNS**

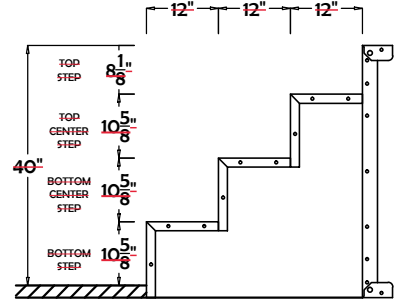
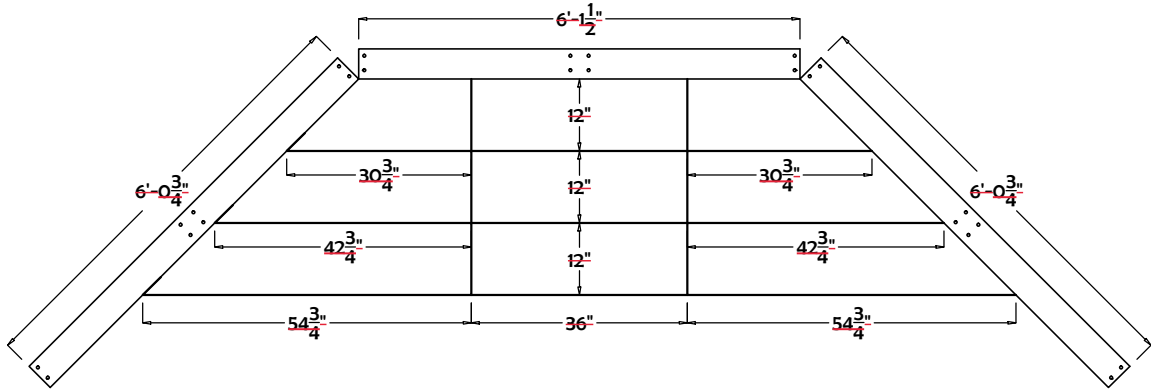


NOTE: Initially hand tighten all bolts when assembling the stair unit. Once assembled, begin tightening bolts starting with side stair panels bolting to each other, then to the steps. Proceed to fully tighten all remaining bolts.

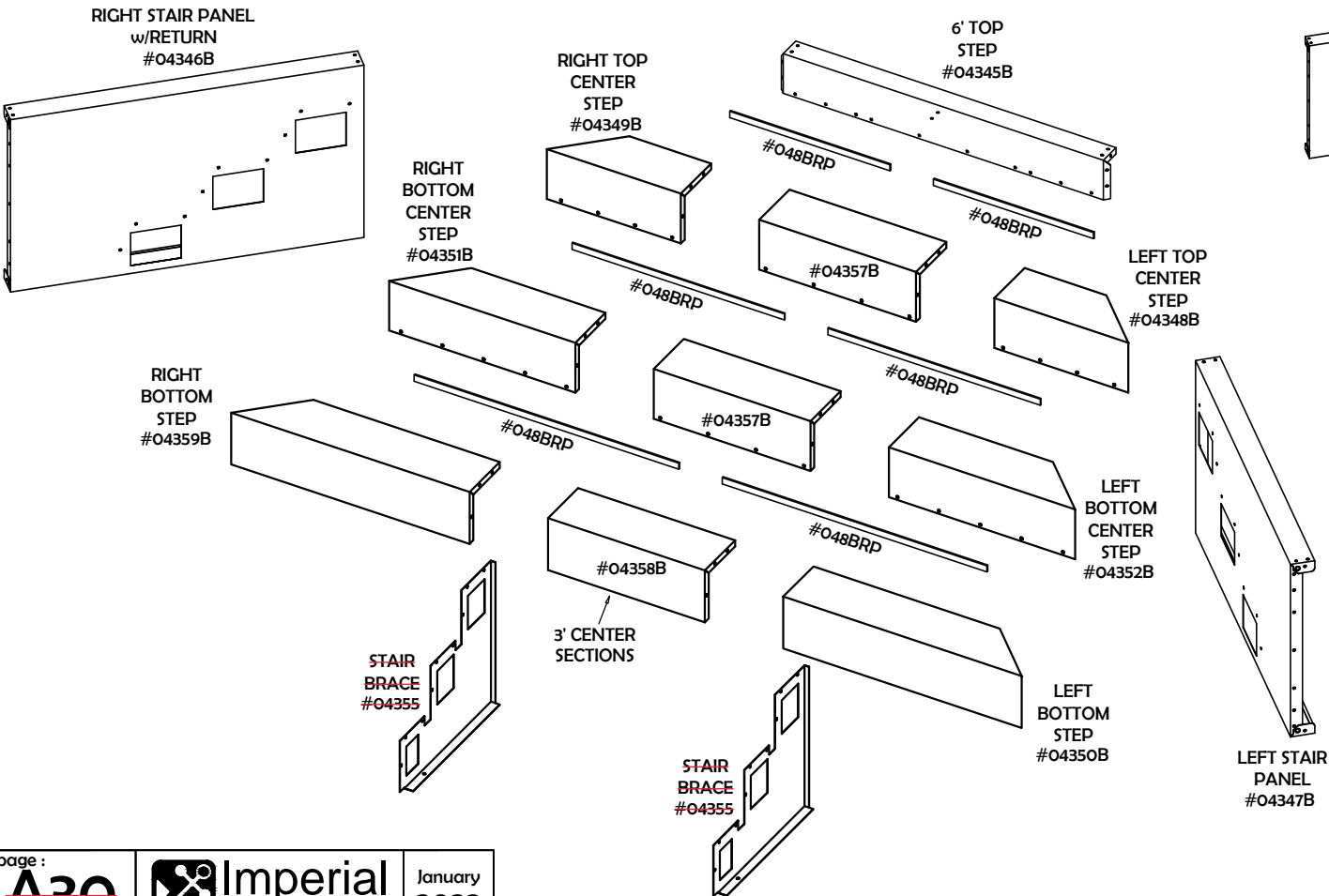
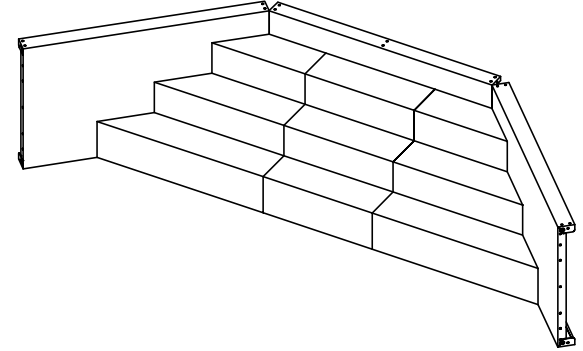
1. Bolt the left and right 5'9" side panels to the 2' radius corner panel.
2. Bolt the 2' radius inside corner stair brace to the 2' radius corner panel.
3. Bolt the top step form to the left and right 5'9" side stair panels.
4. Bolt the left and right center step form through the stair brace and into the left and right 5'9" side stair panels.
5. Bolt the left and right bottom step form through the stair brace and into the left and right 5'9" side stair panels.
6. Tek screw edge caps to the corresponding riser forms starting with the top step.
7. Bolt the bead receiver to each step riser.

6' Grecian Stair Full Steel

NOTE: Initially hand tighten all bolts when assembling the stair unit. Once assembled, begin tightening bolts starting with side stair panels bolting to each other, then to the steps. Proceed to fully tighten all remaining bolts.



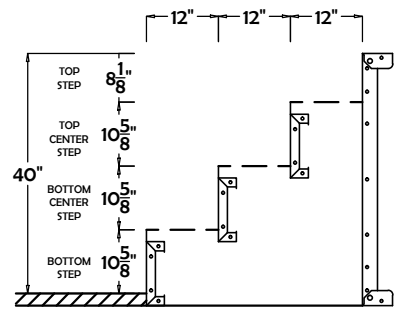
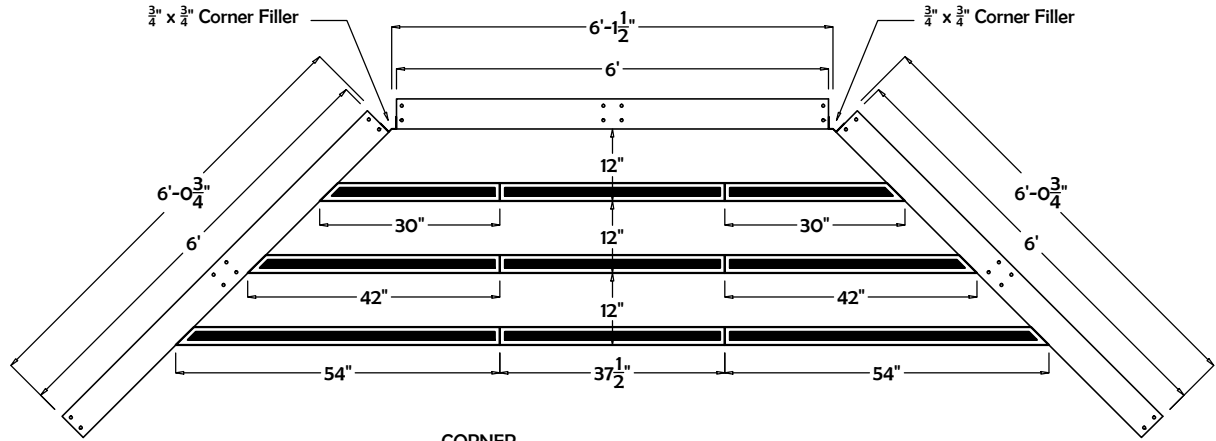
**6' GRECIAN STAIR COMPLETE:
#04343B**



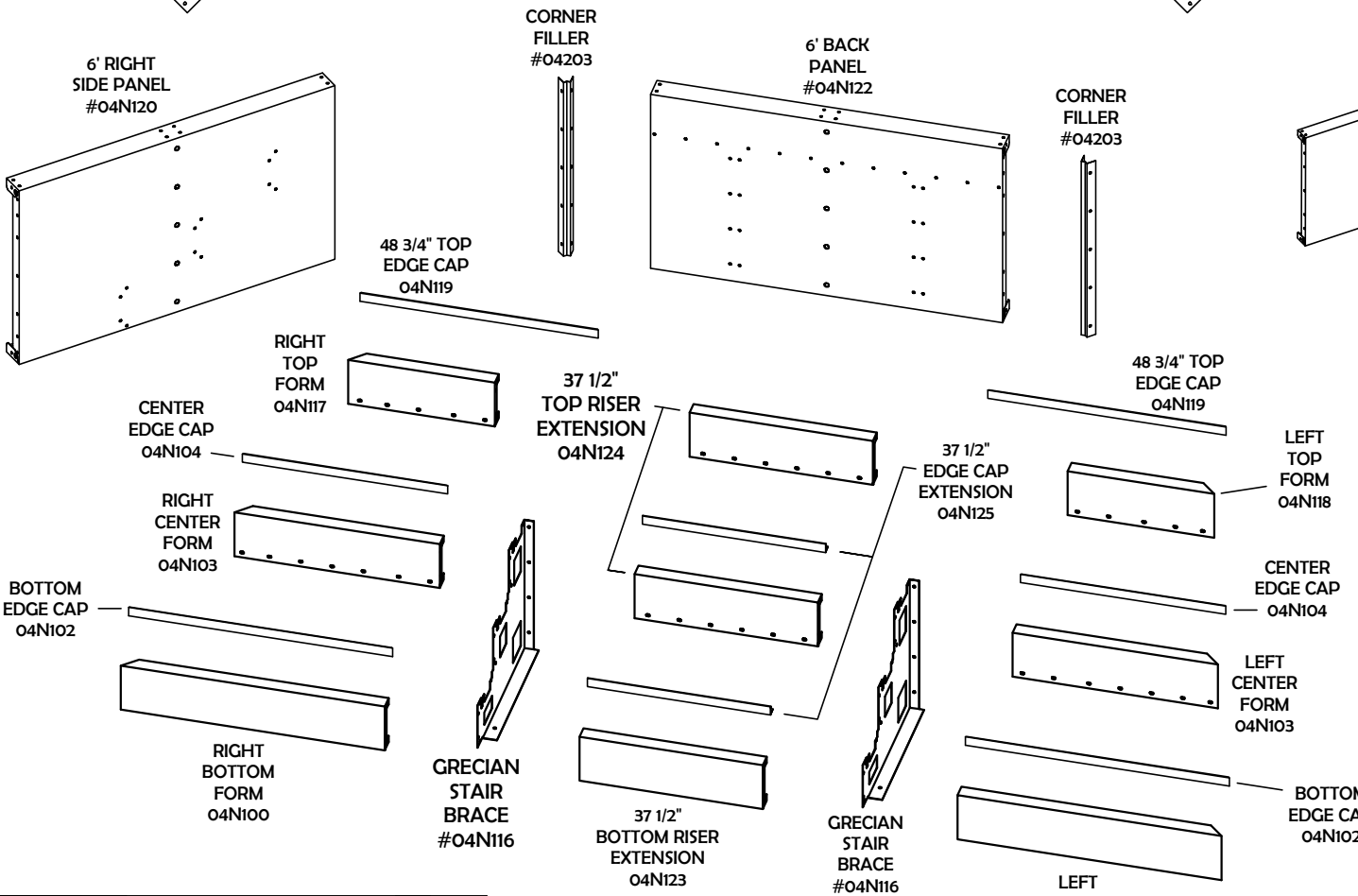
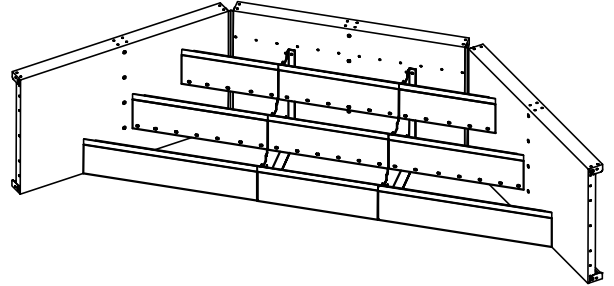
1. Attach the bead receiver to each tread using Tek screws. One piece of bead receiver cut to length for each individual tread section.
2. Bolt the left bottom step and 3'-center bottom step together through the stair brace.
3. Bolt the right bottom step to the assembly through the second stair brace.
4. Bolt the left bottom center step and 3'-center step together through the stair brace.
5. Bolt the right bottom-center step to the assembly through the second stair brace.
6. Bolt the bottom center step assembly to the bottom step assembly.
7. Bolt the left top center step and 3'-center step together through the stair brace.
8. Bolt the right top-center step to the assembly through the second stair brace.
9. Bolt the top-center step assembly to the bottom center step assembly.
10. Bolt the top step to the left and right side panels and to the top-center step assembly.

6' Grecian Stair Nexus

NOTE: Initially hand tighten all bolts when assembling the stair unit. Once assembled, begin tightening bolts starting with side stair panels & fillers bolting to each other, then to the steps. Proceed to fully tighten all remaining bolts.



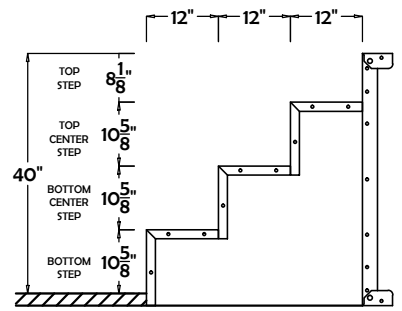
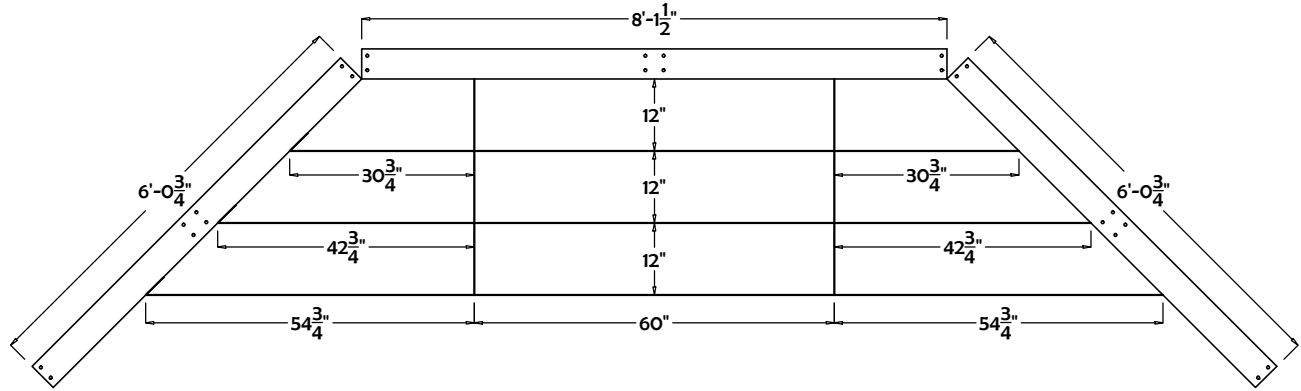
6' GRECIAN NEXUS STAIR COMPLETE: #04343BNS



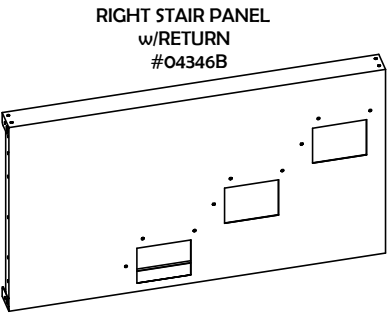
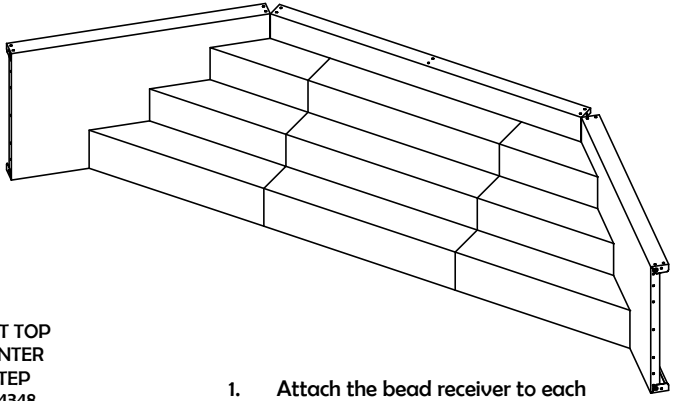
1. Bolt the left and right side panels, back panel and corner fillers together.
2. Bolt the stair braces to the back panel.
3. Bolt the left top, right top and top riser extension step forms through the stair braces and into the left and right side panels.
4. Bolt the left center, right center and top riser extension step forms through the stair braces and into the left and right side panels.
5. Bolt the left bottom, right bottom and bottom riser extension step forms through the stair braces and into the left and right side panels.
6. Bolt the bottom center step assembly to the bottom step assembly.
7. Tek screw edge caps to the corresponding riser forms starting with the top step.
8. Bolt the bead receiver to each step riser.

8' Grecian Stair Full Steel

NOTE: Initially hand tighten all bolts when assembling the stair unit. Once assembled, begin tightening bolts starting with side stair panels bolting to each other, then to the steps. Proceed to fully tighten all remaining bolts.



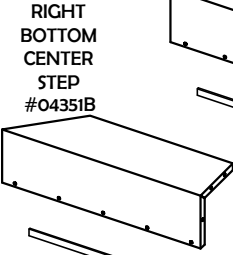
**8' GRECIAN STAIR COMPLETE:
#04344B**



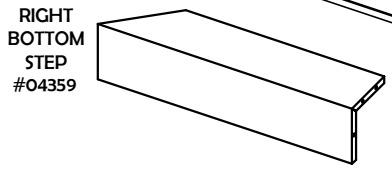
**RIGHT STAIR PANEL
w/RETURN
#04346B**



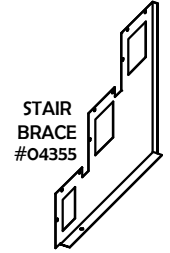
**RIGHT TOP
CENTER
STEP
#04349B**



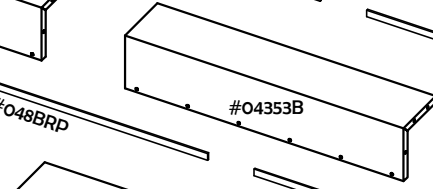
**RIGHT
BOTTOM
CENTER
STEP
#04351B**



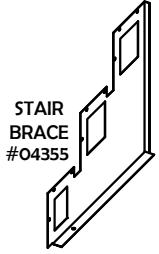
**RIGHT
BOTTOM
STEP
#04359**



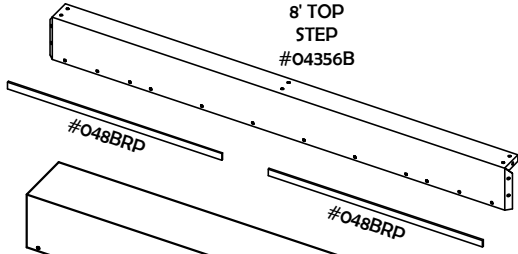
**STAIR
BRACE
#04355**



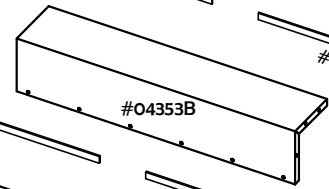
**5' CENTER
SECTIONS
#04354B**



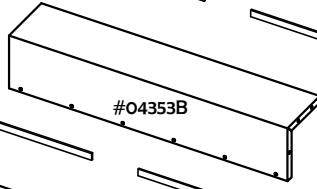
**STAIR
BRACE
#04355**



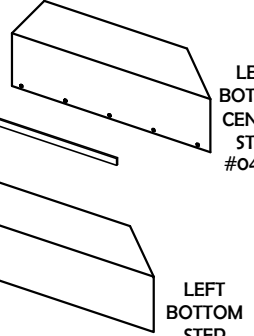
**8' TOP
STEP
#04356B**



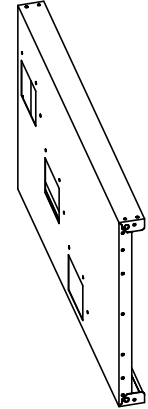
**LEFT TOP
CENTER
STEP
#04348**



**LEFT BOTTOM
CENTER
STEP
#04352**



**LEFT
BOTTOM
STEP
#04350**

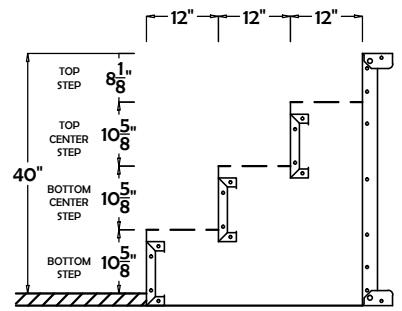
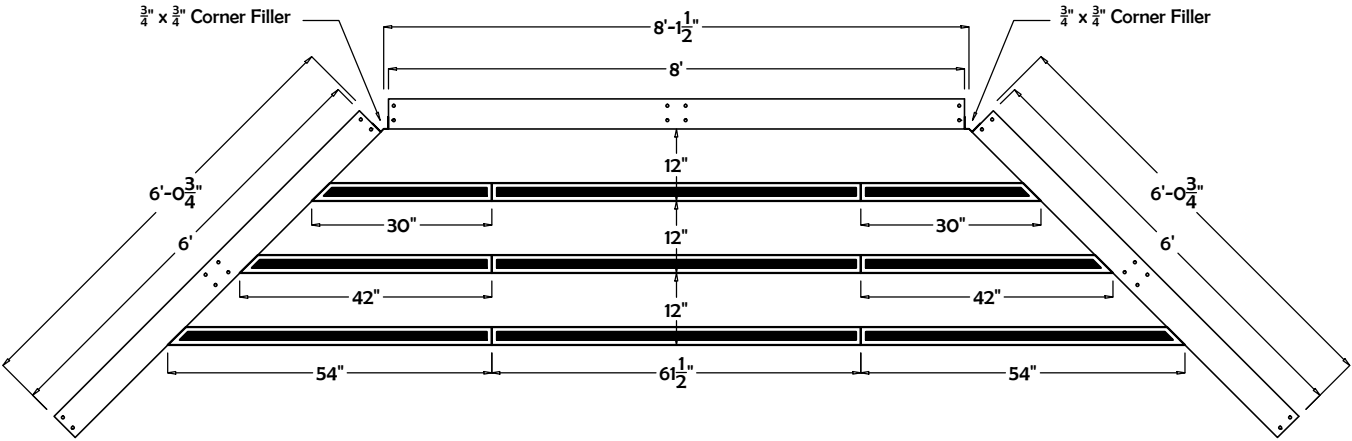


**LEFT STAIR
PANEL
#04347**

1. Attach the bead receiver to each tread using Tek screws. One piece of bead receiver cut to length for each individual tread section.
2. Bolt the left bottom step and 3' center bottom step together through the stair brace.
3. Bolt the right bottom step to the assembly through the second stair brace.
4. Bolt the left bottom center step and 3' center step together through the stair brace.
5. Bolt the right bottom center step to the assembly through the second stair brace.
6. Bolt the bottom center step assembly to the bottom step assembly.
7. Bolt the left top center step and 3' center step together through the stair brace.
8. Bolt the right top center step to the assembly through the second stair brace.
9. Bolt the top center step assembly to the bottom center step assembly.
10. Bolt the top step to the left and right side panels and to the top center step assembly.

8' Grecian Stair Nexus

NOTE: Initially hand tighten all bolts when assembling the stair unit. Once assembled, begin tightening bolts starting with side stair panels & fillers bolting to each other, then to the steps. Proceed to fully tighten all remaining bolts.



8' GRECIAN NEXUS STAIR COMPLETE: #04344BNS

6' RIGHT SIDE PANEL #04N120

CORNER FILLER #04203

48 3/4" TOP EDGE CAP 04N119

RIGHT TOP FORM 04N117

CENTER EDGE CAP 04N104

RIGHT CENTER FORM 04N103

BOTTOM EDGE CAP 04N102

RIGHT BOTTOM FORM 04N100

GRECIAN STAIR BRACE #04N116

8' BACK PANEL #04N126

61 1/2" TOP RISER EXTENSION 04N128

24" EDGE CAP EXTENSION

61 1/2" EDGE CAP EXTENSION 04N129

61 1/2" BOTTOM RISER EXTENSION 04N127

GRECIAN STAIR BRACE #04N116

CORNER FILLER #04203

48 3/4" TOP EDGE CAP 04N119

LEFT TOP FORM 04N118

CENTER EDGE CAP 04N104

LEFT CENTER FORM 04N103

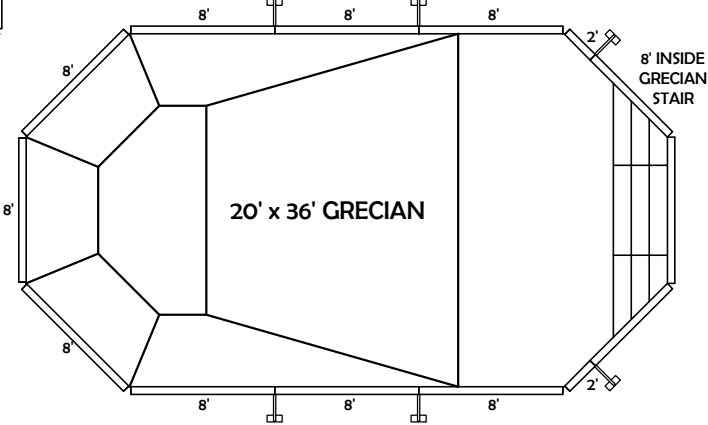
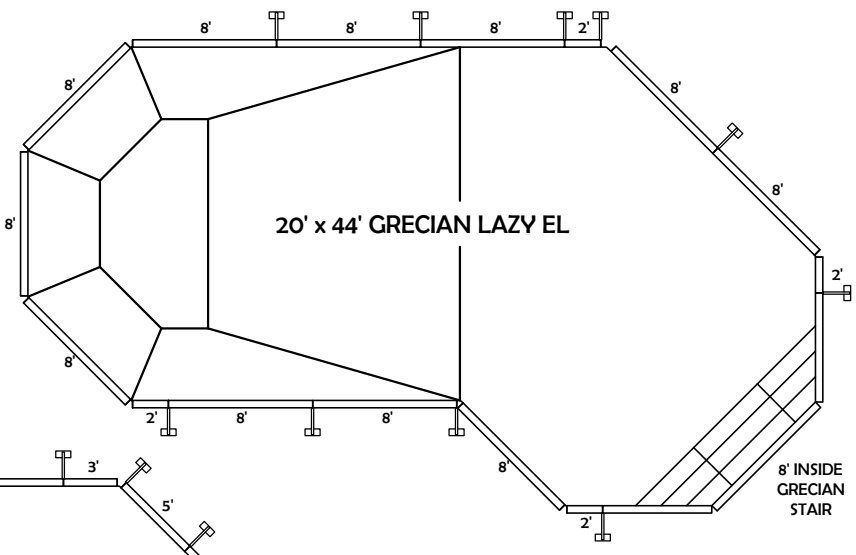
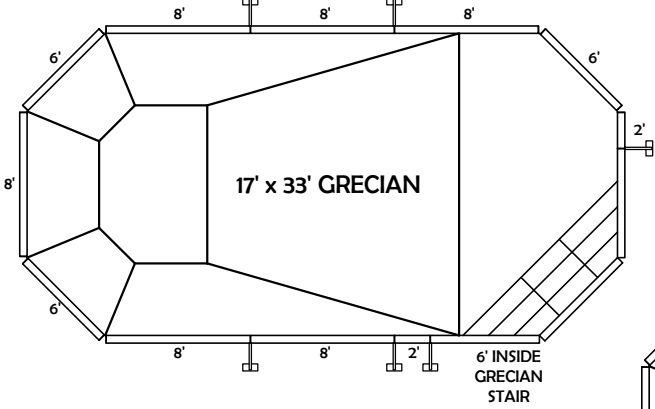
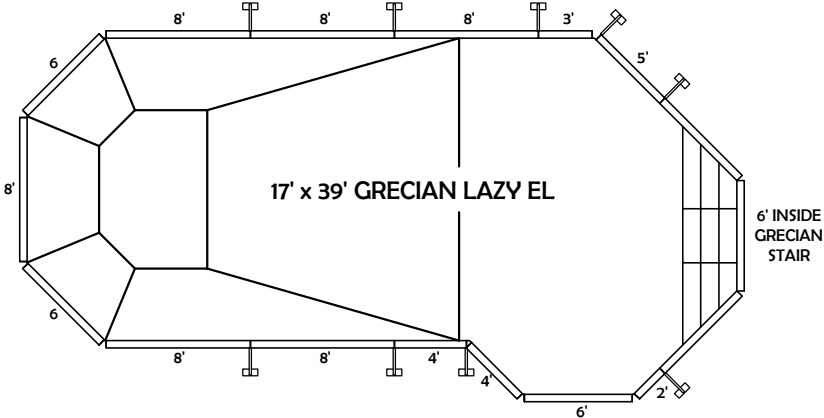
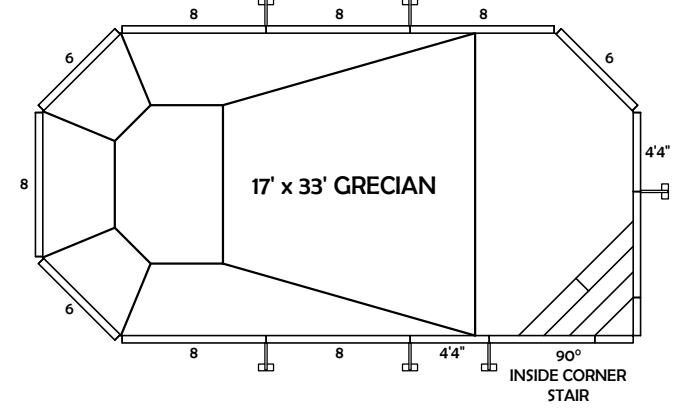
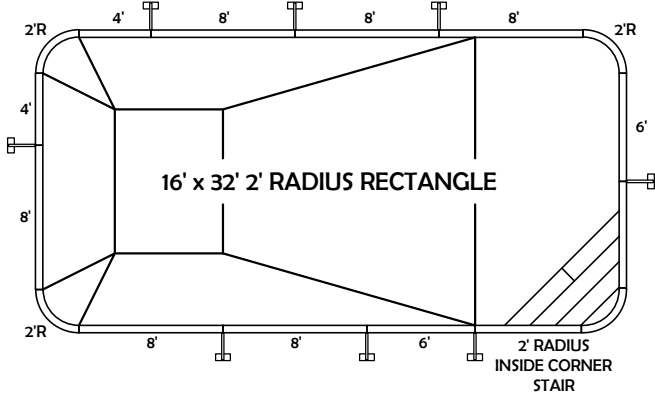
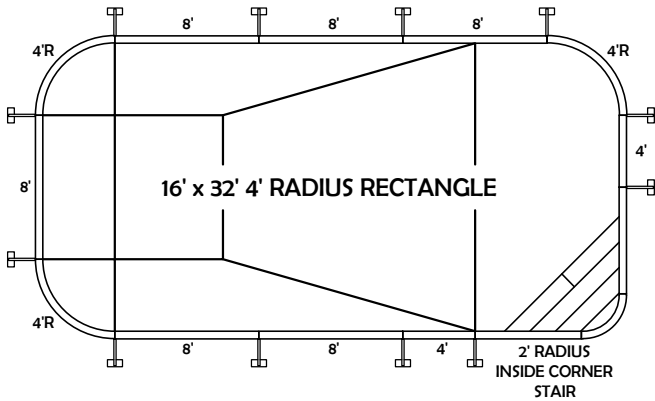
BOTTOM EDGE CAP 04N102

LEFT BOTTOM FORM 04N101

6' LEFT SIDE PANEL #04N121

1. Bolt the left and right side panels, back panel and corner fillers together.
2. Bolt the stair braces to the back panel.
3. Bolt the left top, right top and top riser extension step forms through the stair braces and into the left and right side panels.
4. Bolt the left center, right center and top riser extension step forms through the stair braces and into the left and right side panels.
5. Bolt the left bottom, right bottom and bottom riser extension step forms through the stair braces and into the left and right side panels.
6. Bolt the bottom center step assembly to the bottom step assembly.
7. Tek screw edge caps to the corresponding riser forms starting with the top step.
8. Bolt the bead receiver to each step riser.

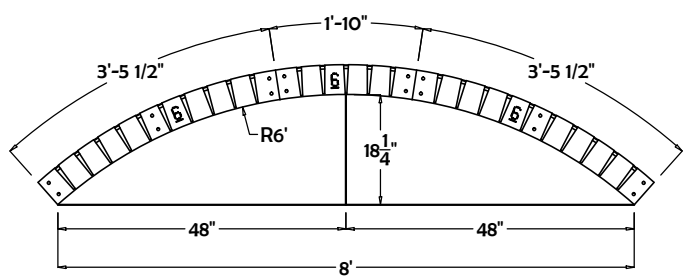
Inside Stair Layouts



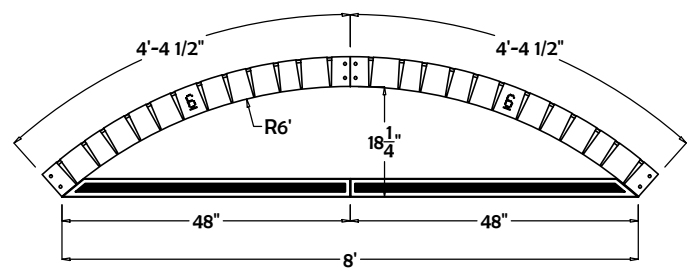
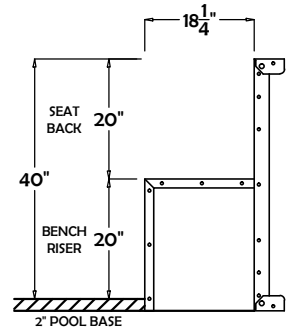
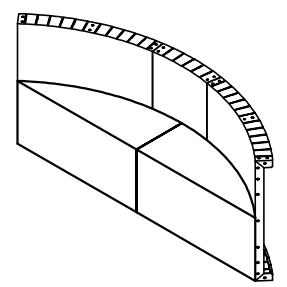
- NOTE:**
- Changes to the bills of material for the stock panel layout may be required when using the Inside Corner Stair or Grecian Stair units.
 - Inside stair layouts shown here are with full steel stair units. Nexus stair units can be substituted at any location.

6' Radius Cuddle Cove Full Steel & Nexus

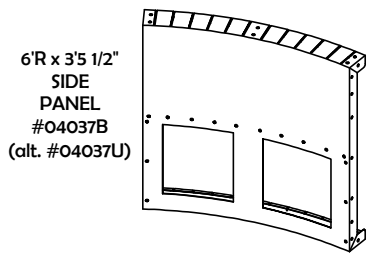
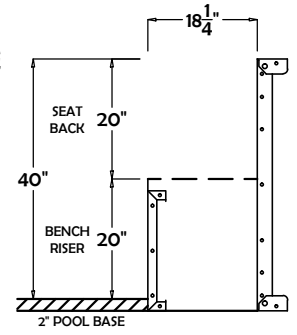
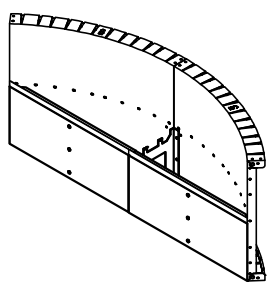
NOTE: THE 6' RADIUS CUDDLE COVE (#04039B) OR 6' RADIUS NEXUS CUDDLE COVE (#04039BNS), WITH (2) 6'R / 1'11" PANEL (#04474) WILL REPLACE (2) 6'R / 6'3" PANELS (#04437).



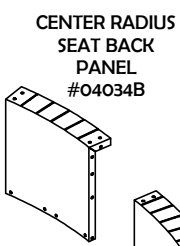
6' RADIUS CUDDLE COVE COMPLETE: #04039B



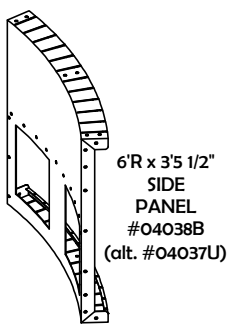
6' RADIUS NEXUS CUDDLE COVE COMPLETE: #04039BNS



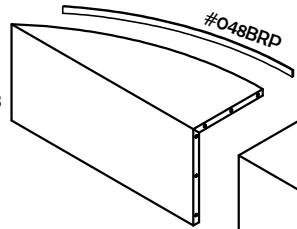
6'R x 3'5 1/2\"/>



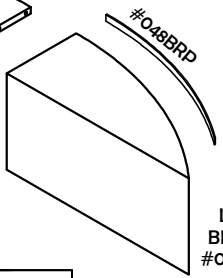
CENTER RADIUS SEAT BACK PANEL #04034B



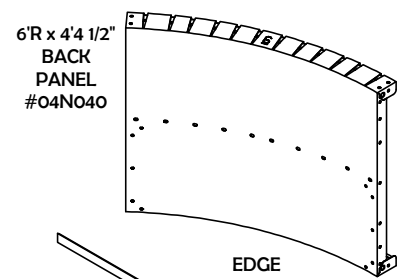
6'R x 3'5 1/2\"/>



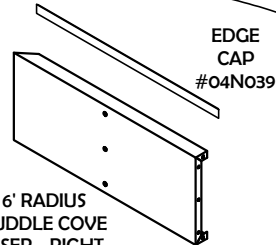
RIGHT BENCH #04036B



LEFT BENCH #04035B



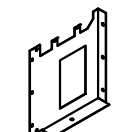
6'R x 4'4 1/2\"/>



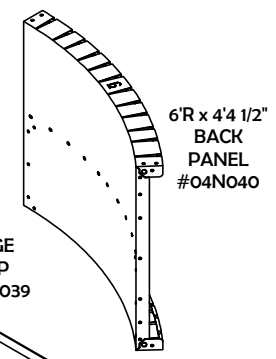
EDGE CAP #04N039



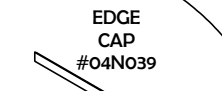
6' RADIUS CUDDLE COVE RISER - RIGHT #04N037



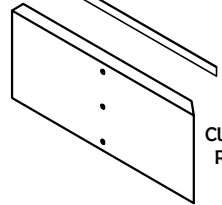
6' RADIUS CUDDLE COVE BRACE #04N036



6'R x 4'4 1/2\"/>



EDGE CAP #04N039

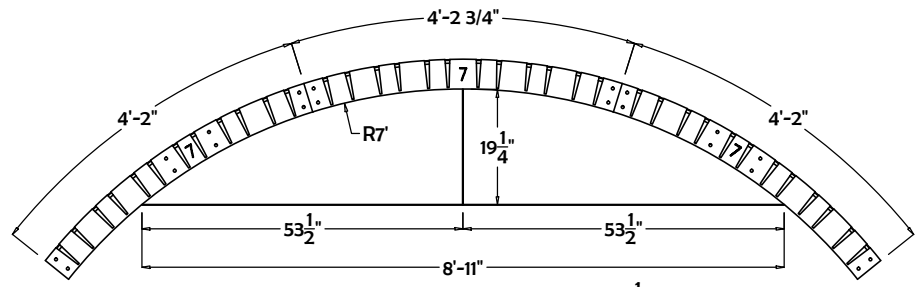


6' RADIUS CUDDLE COVE RISER - LEFT #04N038

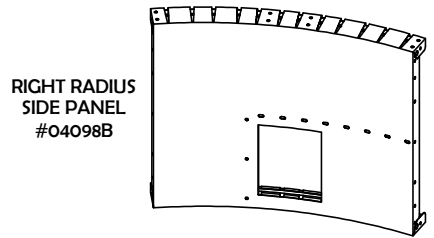
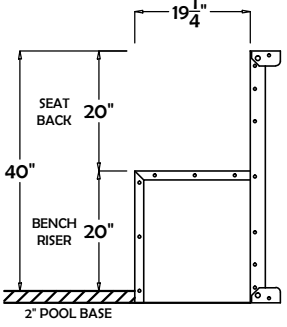
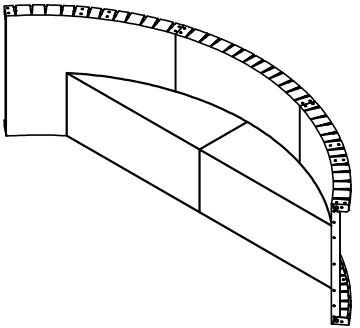
CLOSED TOP CUDDLE COVE SIDE PANELS WILL TRANSITION FROM UNIQUE LEFT & RIGHT SIDE PANELS TO UNIVERSAL SIDE PANELS OVER THE 2022 SEASON. PLEASE NOTE ALTERNATE CODE #'S MAY BE SUBSTITUTED IN THE ASSEMBLY

7' Radius Cuddle Cove Full Steel & Nexus

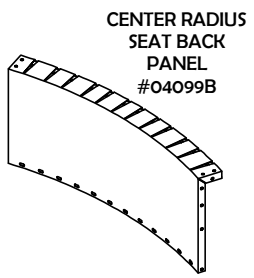
NOTE: THE 7' RADIUS CUDDLE COVE (#04058B) OR 7' RADIUS NEXUS CUDDLE COVE (#04058BNS) WILL REPLACE (2) 7'R / 6'3" PANELS (#04434).



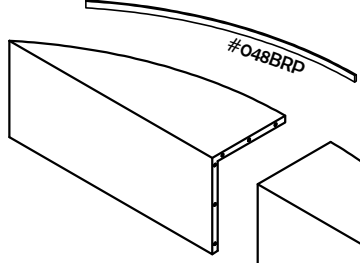
7' RADIUS CUDDLE COVE COMPLETE: #04058B



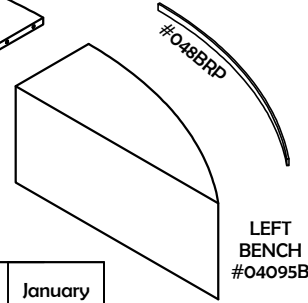
RIGHT RADIUS SIDE PANEL #04098B



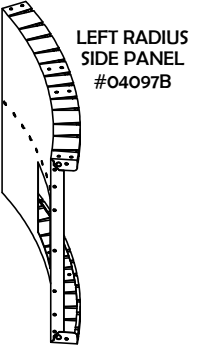
CENTER RADIUS SEAT BACK PANEL #04099B



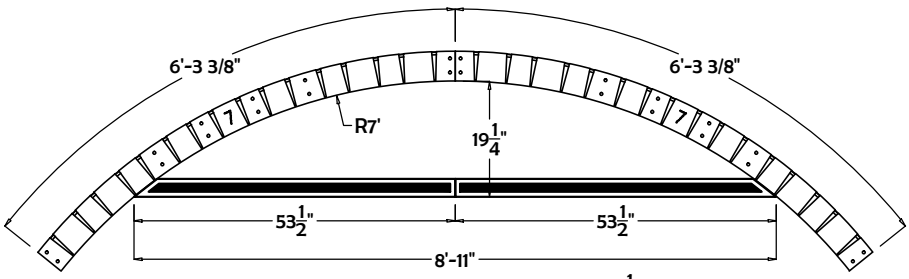
RIGHT BENCH #04096B



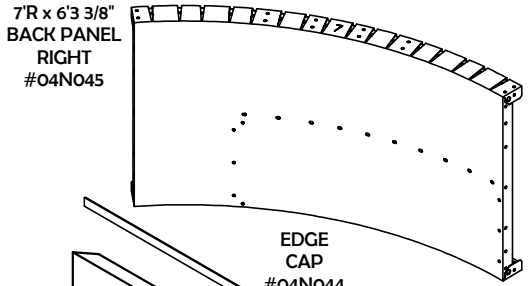
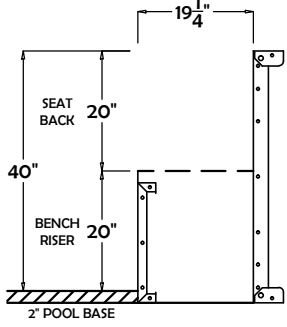
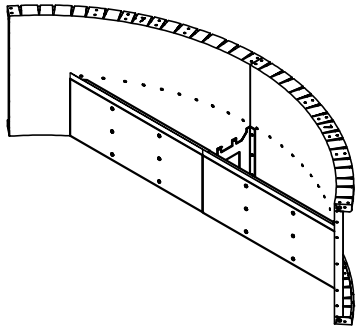
LEFT BENCH #04095B



LEFT RADIUS SIDE PANEL #04097B

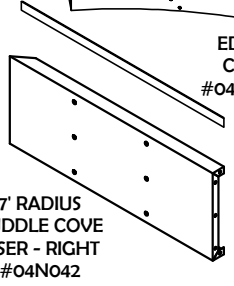


7' RADIUS NEXUS CUDDLE COVE COMPLETE: #04058BNS



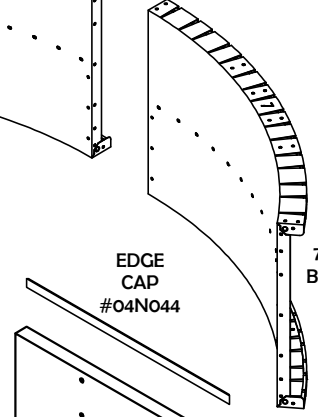
7R x 6'3 3/8" BACK PANEL RIGHT #04N045

EDGE CAP #04N044



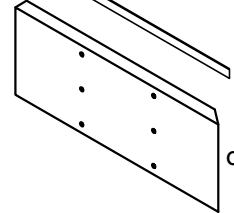
7' RADIUS CUDDLE COVE RISER - RIGHT #04N042

7R, 8'R & 9'R CUDDLE COVE BRACE #04N041



7R x 6'3 3/8" BACK PANEL LEFT #04N046

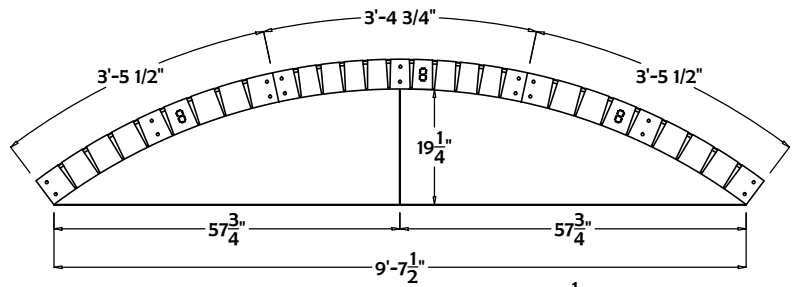
EDGE CAP #04N044



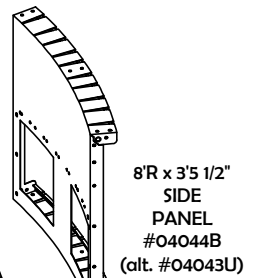
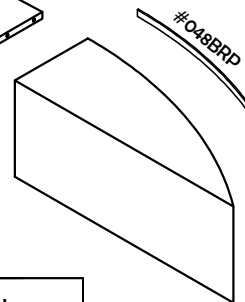
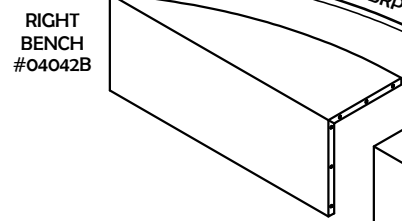
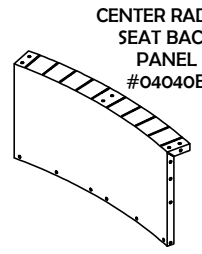
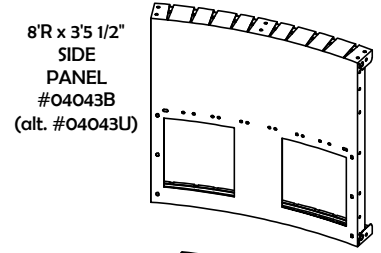
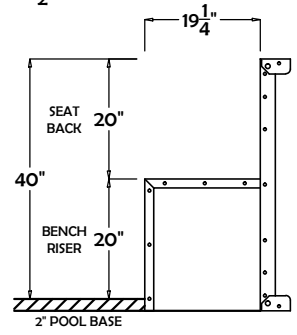
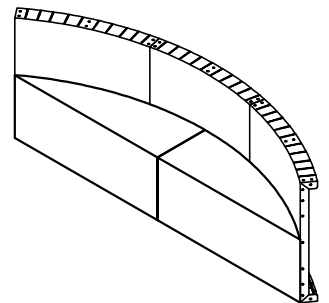
7' RADIUS CUDDLE COVE RISER - LEFT #04N043

8' Radius Cuddle Cove Full Steel & Nexus

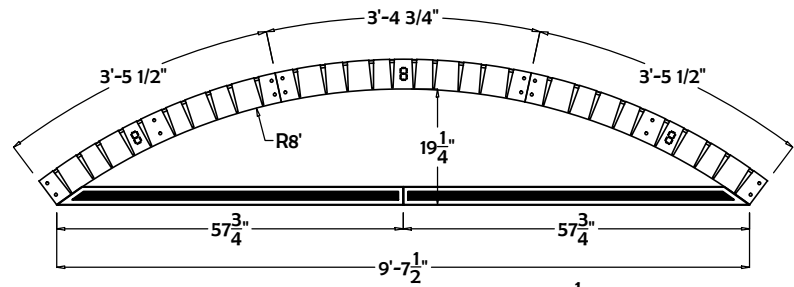
NOTE: THE 8' RADIUS CUDDLE COVE (#04045B) OR 8' RADIUS NEXUS CUDDLE COVE (#04045BNS), WITH (1) 8'R / 2'3" PANEL (#04164) WILL REPLACE (2) 8'R / 6'3" PANELS (#04162).



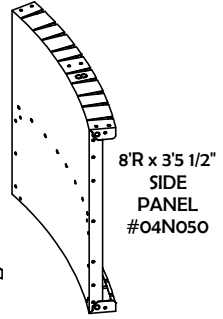
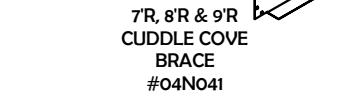
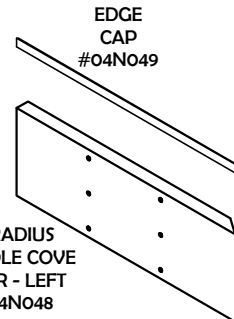
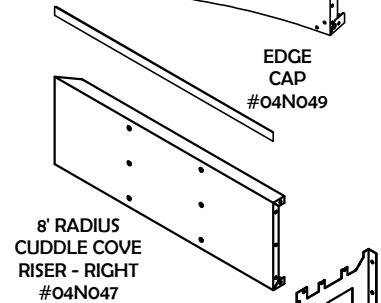
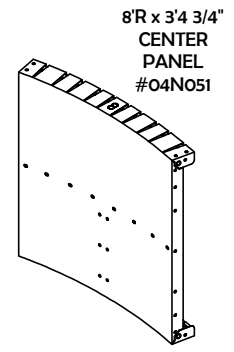
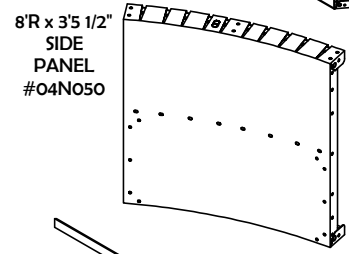
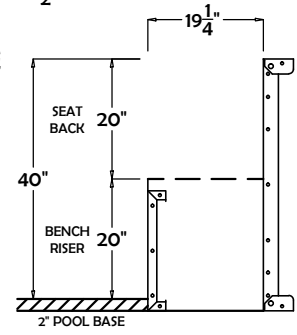
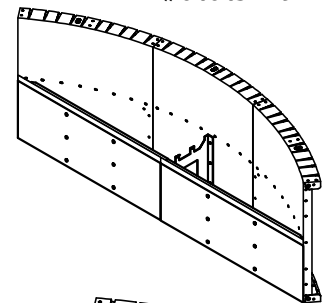
8' RADIUS CUDDLE COVE COMPLETE: #04045B



CLOSED TOP CUDDLE COVE SIDE PANELS WILL TRANSITION FROM UNIQUE LEFT & RIGHT SIDE PANELS TO UNIVERSAL SIDE PANELS OVER THE 2022 SEASON. PLEASE NOTE ALTERNATE CODE #'S MAY BE SUBSTITUTED IN THE ASSEMBLY

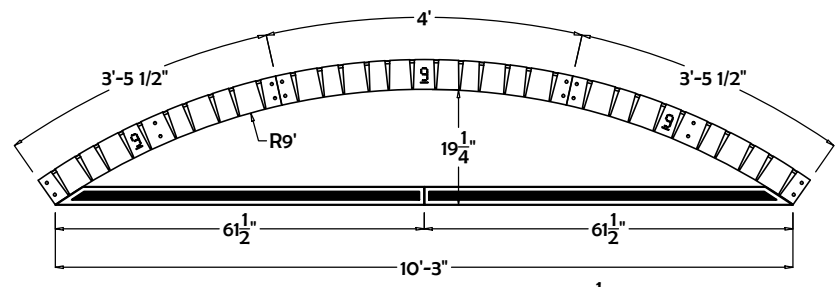
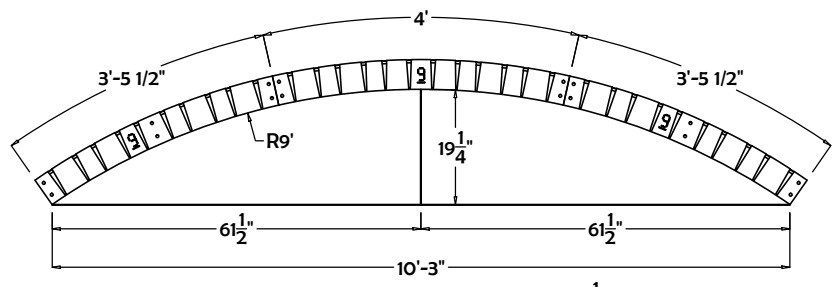


8' RADIUS NEXUS CUDDLE COVE COMPLETE: #04045BNS

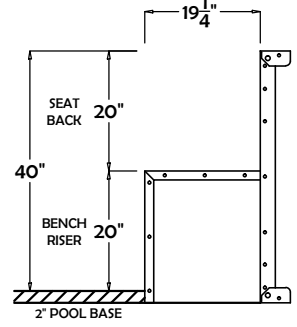
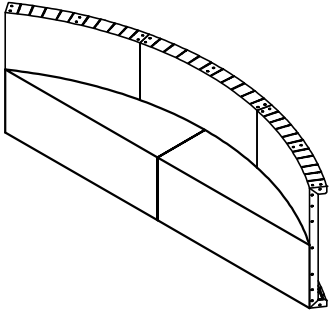


9' Radius Cuddle Cove Full Steel & Nexus

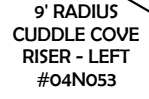
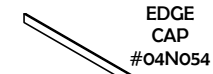
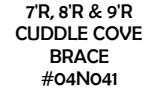
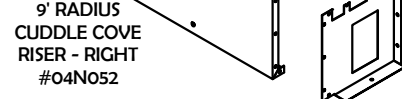
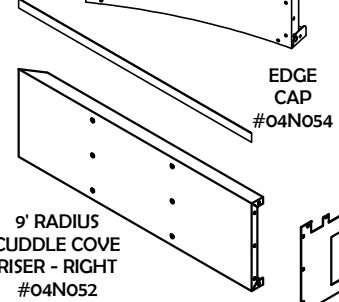
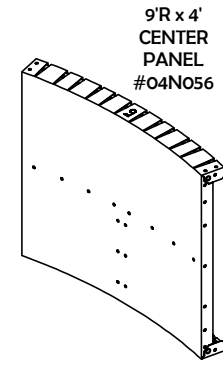
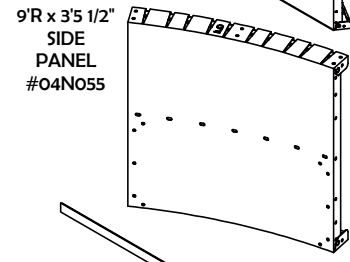
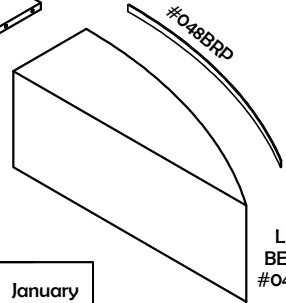
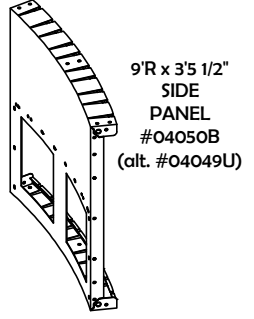
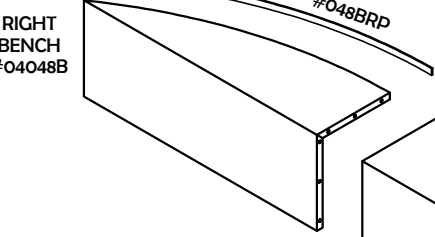
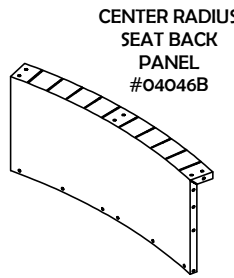
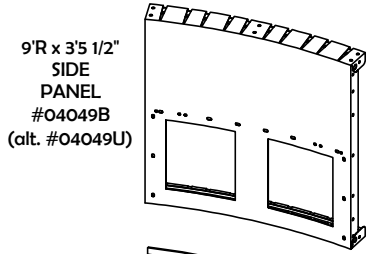
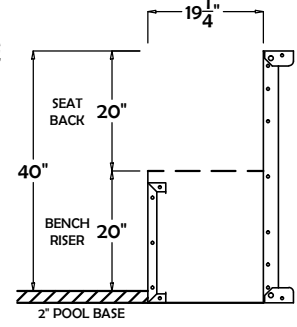
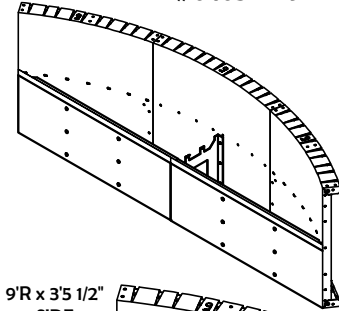
NOTE: THE 9' RADIUS CUDDLE COVE (#04051B) OR 9' RADIUS NEXUS CUDDLE COVE (#04051BNS), WITH (2) 10" PANELS (#04131) WILL REPLACE (2) 9'R / 6'3" PANELS (#04170).



9' RADIUS CUDDLE COVE COMPLETE: #04051B



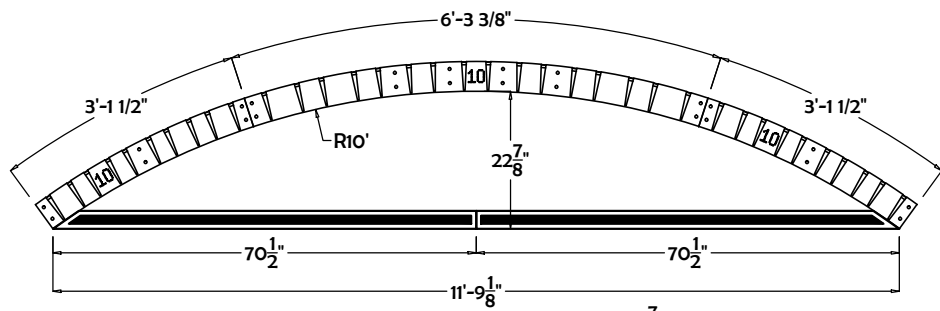
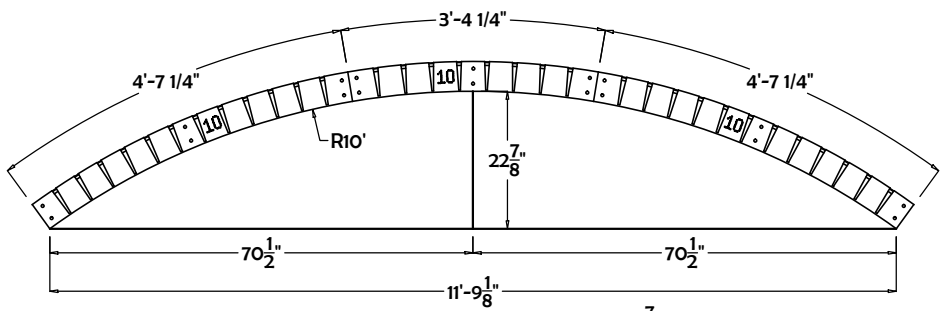
9' RADIUS NEXUS CUDDLE COVE COMPLETE: #04051BNS



CLOSED TOP CUDDLE COVE SIDE PANELS WILL TRANSITION FROM UNIQUE LEFT & RIGHT SIDE PANELS TO UNIVERSAL SIDE PANELS OVER THE 2022 SEASON. PLEASE NOTE ALTERNATE CODE #'S MAY BE SUBSTITUTED IN THE ASSEMBLY

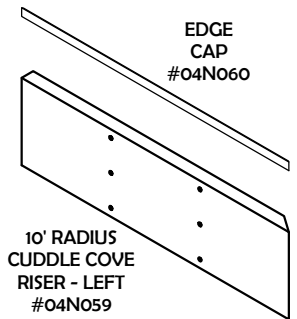
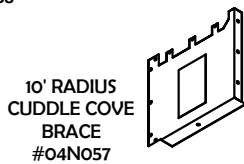
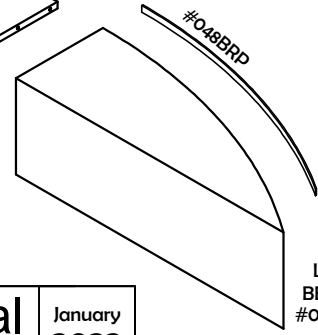
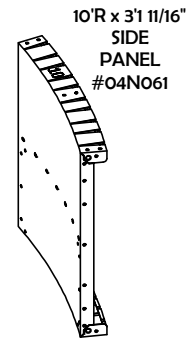
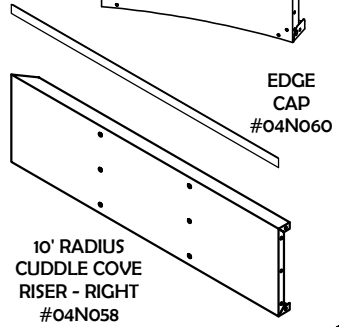
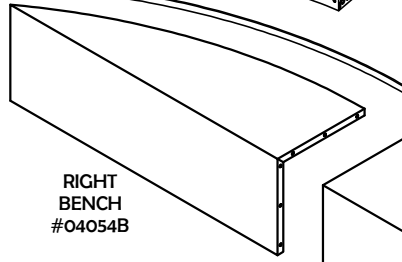
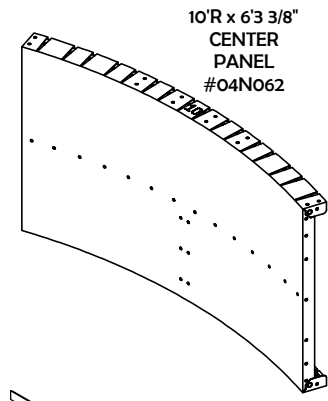
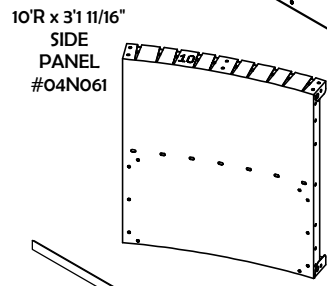
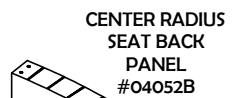
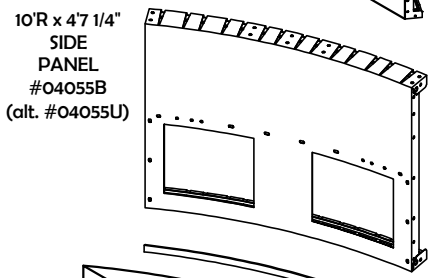
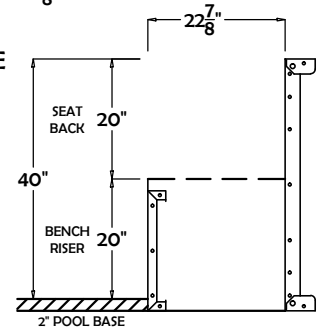
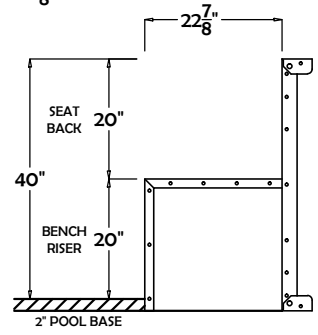
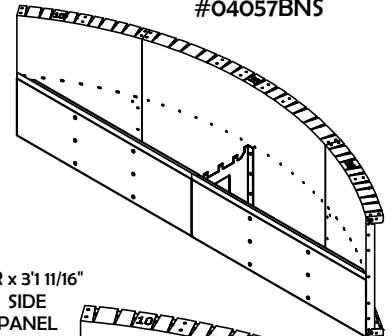
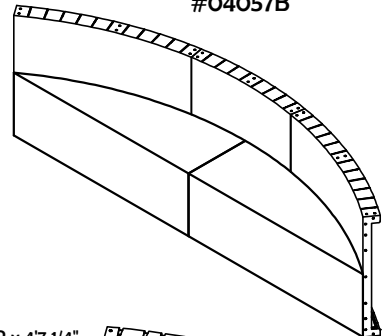
10' Radius Cuddle Cove Full Steel & Nexus

NOTE: THE 10' RADIUS CUDDLE COVE (#04057B) OR 10' RADIUS NEXUS CUDDLE COVE (#04057BNS) WILL REPLACE (2) 10'R / 6'3" PANELS (#04159).



10' RADIUS CUDDLE COVE COMPLETE: #04057B

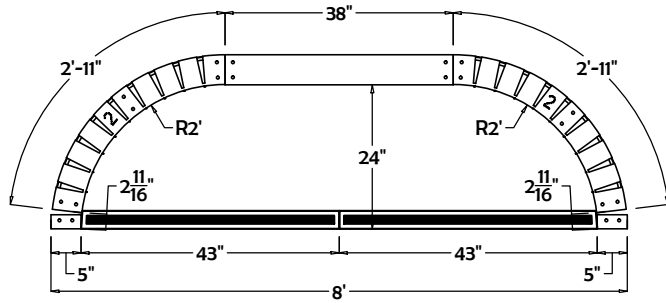
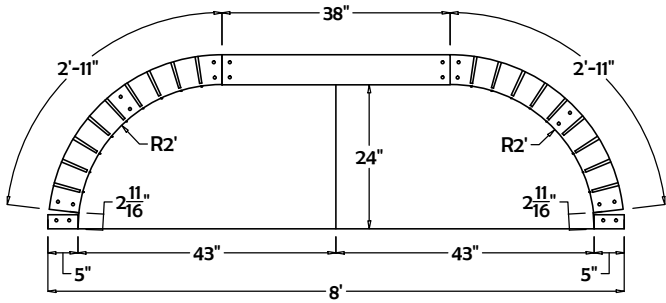
10' RADIUS NEXUS CUDDLE COVE COMPLETE: #04057BNS



CLOSED TOP CUDDLE COVE SIDE PANELS WILL TRANSITION FROM UNIQUE LEFT & RIGHT SIDE PANELS TO UNIVERSAL SIDE PANELS OVER THE 2022 SEASON. PLEASE NOTE ALTERNATE CODE #'S MAY BE SUBSTITUTED IN THE ASSEMBLY

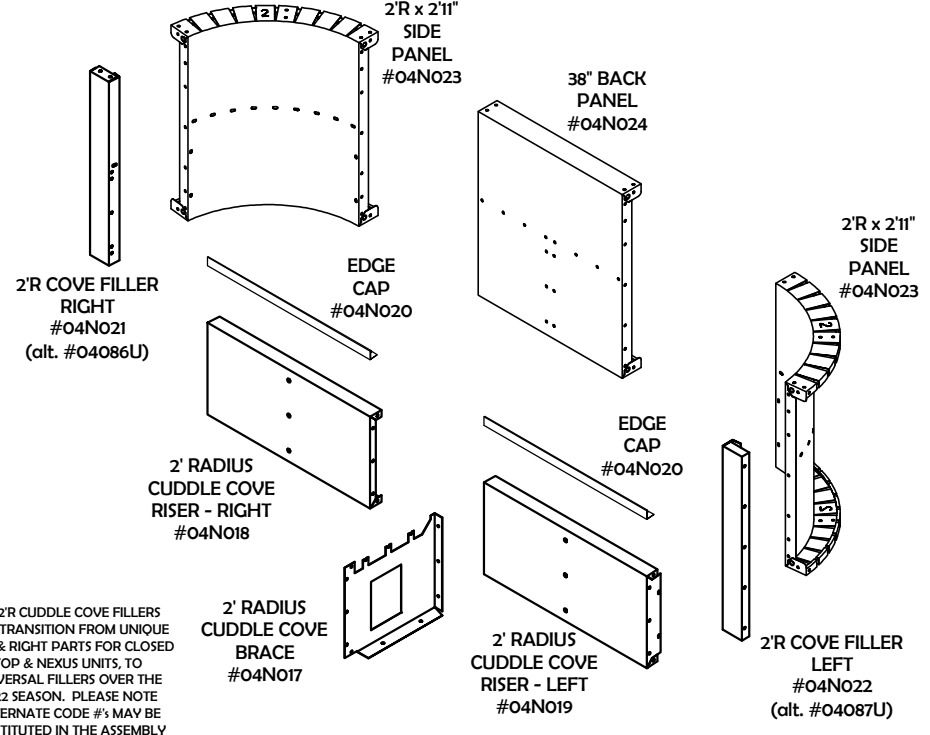
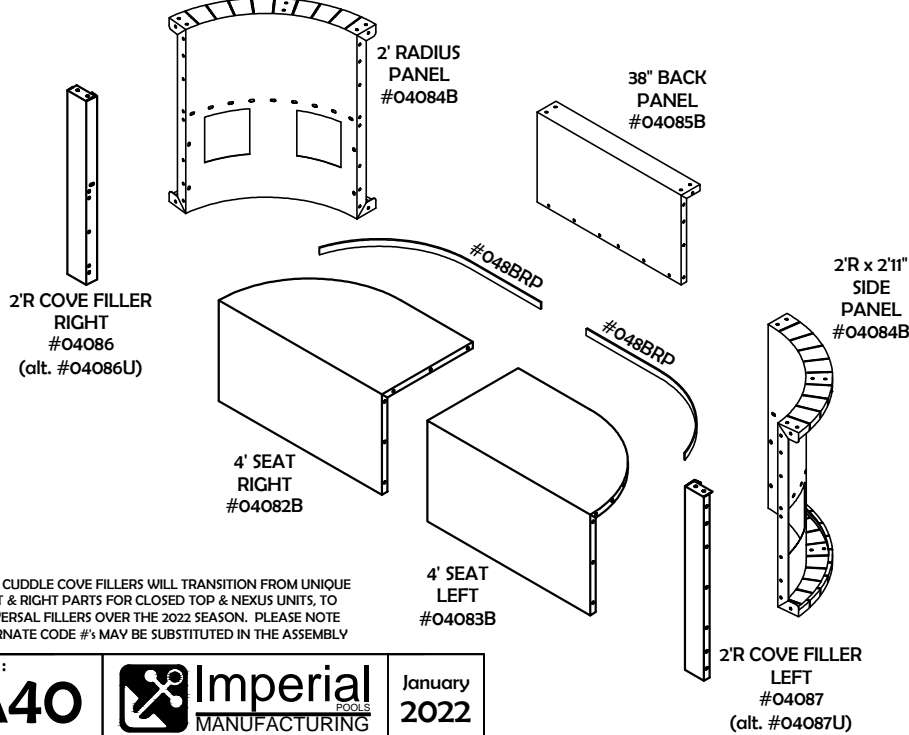
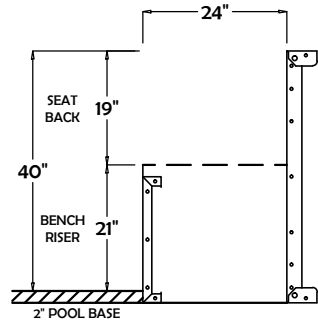
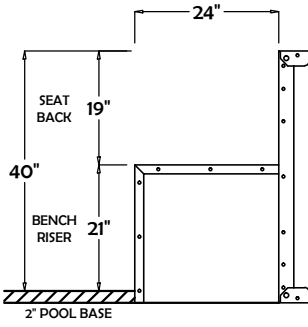
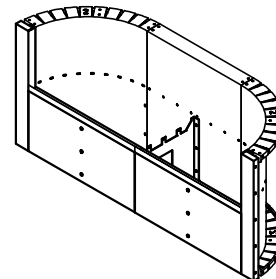
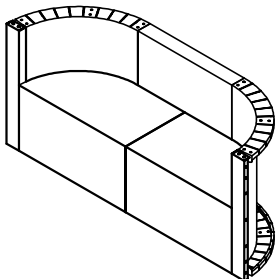
8' x 2'R Radius Cuddle Cove Full Steel & Nexus

NOTE: THE 8' x 2' RADIUS CUDDLE COVE (#04088B) OR 8' x 2' RADIUS NEXUS CUDDLE COVE (#04088BNS), WILL REPLACE (1) 8' STRAIGHT PANEL (#04101 or #05102).



8' x 2' RADIUS CUDDLE COVE COMPLETE:
#04088B

8' x 2' RADIUS NEXUS CUDDLE COVE COMPLETE:
#04088BNS

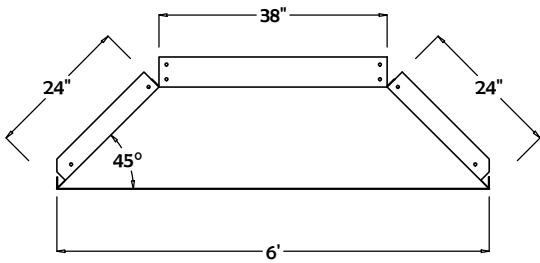


8' x 2'R CUDDLE COVE FILLERS WILL TRANSITION FROM UNIQUE LEFT & RIGHT PARTS FOR CLOSED TOP & NEXUS UNITS, TO UNIVERSAL FILLERS OVER THE 2022 SEASON. PLEASE NOTE ALTERNATE CODE #'S MAY BE SUBSTITUTED IN THE ASSEMBLY

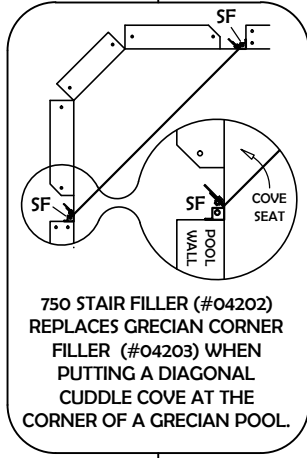
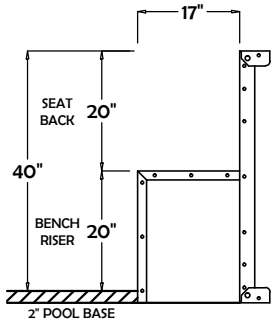
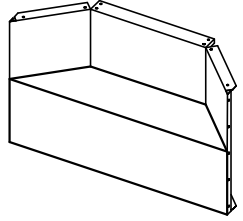
8' x 2'R CUDDLE COVE FILLERS WILL TRANSITION FROM UNIQUE LEFT & RIGHT PARTS FOR CLOSED TOP & NEXUS UNITS, TO UNIVERSAL FILLERS OVER THE 2022 SEASON. PLEASE NOTE ALTERNATE CODE #'S MAY BE SUBSTITUTED IN THE ASSEMBLY

6' x 2' Diagonal Cuddle Cove Full Steel & Nexus

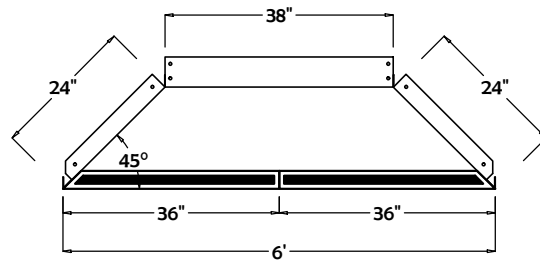
NOTE: THE 6' x 2' DIAGONAL CUDDLE COVE (#04401B) OR 6' x 2' DIAGONAL NEXUS CUDDLE COVE (#04401BNS), WILL REPLACE (1) 6' STRAIGHT PANEL (#04106 or #05112).



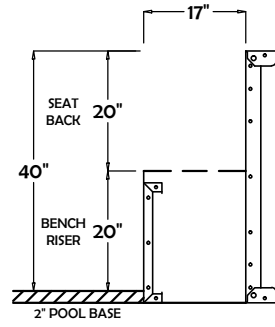
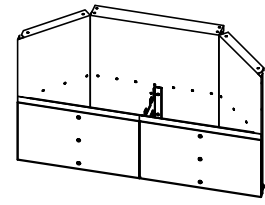
6' x 2' DIAGONAL CUDDLE COVE COMPLETE: #04401B



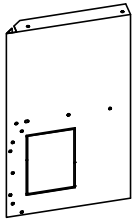
750 STAIR FILLER (#04202) REPLACES GRECIAN CORNER FILLER (#04203) WHEN PUTTING A DIAGONAL CUDDLE COVE AT THE CORNER OF A GRECIAN POOL.



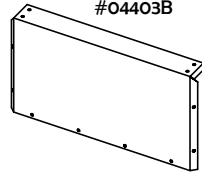
6' x 2' DIAGONAL NEXUS CUDDLE COVE COMPLETE: #04401BNS



2' SIDE PANEL RIGHT #04293B (alt. #04293U)



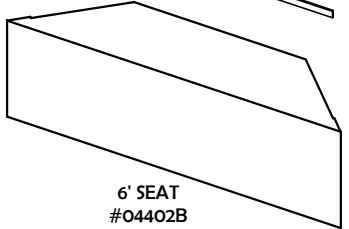
38" TOP PANEL #04403B



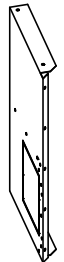
#048BRP

#048BRP

#048BRP



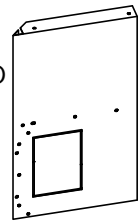
6' SEAT #04402B



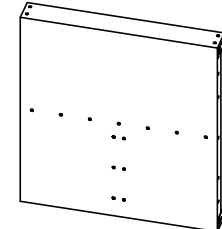
2' SIDE PANEL LEFT #04294B (alt. #04294U)

2' SIDE PANELS FOR DIAGONAL CUDDLE COVE UNITS WILL TRANSITION FROM UNIQUE PARTS FOR CLOSED TOP & NEXUS, TO UNIVERSAL PANELS OVER THE 2022 SEASON. PLEASE NOTE ALTERNATE CODE #'S MAY BE SUBSTITUTED IN THE ASSEMBLY

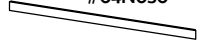
2' SIDE PANEL RIGHT #04N026 (alt. #04293U)



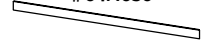
38" BACK PANEL #04N031



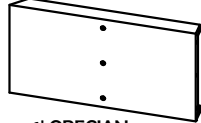
EDGE CAP #04N030



EDGE CAP #04N030



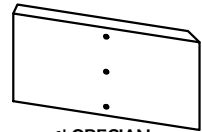
6' GRECIAN CUDDLE COVE RISER - RIGHT #04N028



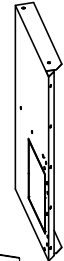
GRECIAN CUDDLE COVE BRACE #04N025



6' GRECIAN CUDDLE COVE RISER - LEFT #04N029



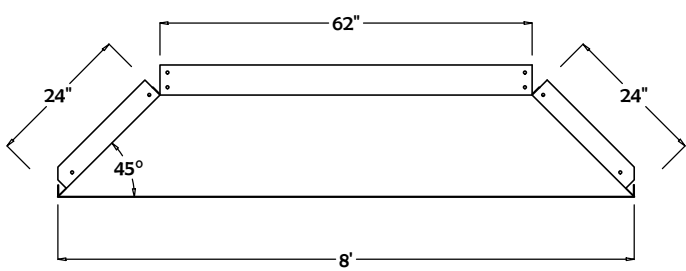
2' SIDE PANEL LEFT #04N027 (alt. #04294U)



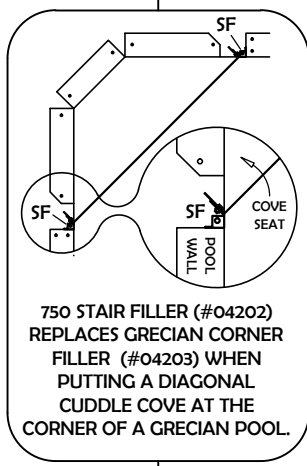
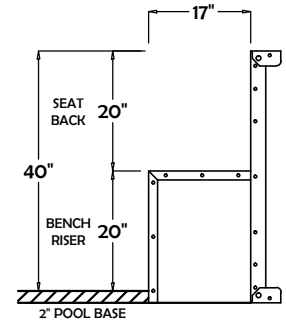
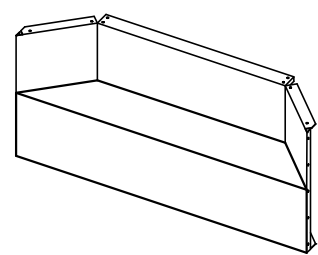
2' SIDE PANELS FOR DIAGONAL CUDDLE COVE UNITS WILL TRANSITION FROM UNIQUE PARTS FOR CLOSED TOP & NEXUS, TO UNIVERSAL PANELS OVER THE 2022 SEASON. PLEASE NOTE ALTERNATE CODE #'S MAY BE SUBSTITUTED IN THE ASSEMBLY

8' x 2' Diagonal Cuddle Cove Full Steel & Nexus

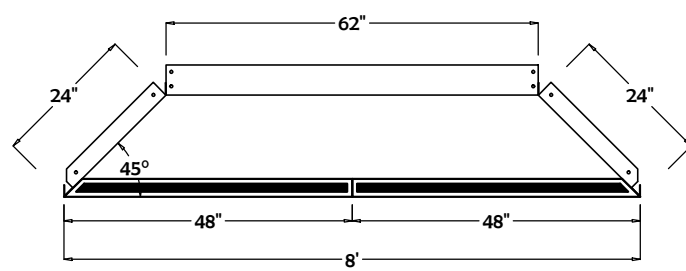
NOTE: THE 8' x 2' DIAGONAL CUDDLE COVE (#04291B) OR 8' x 2' DIAGONAL NEXUS CUDDLE COVE (#04291BNS), WILL REPLACE (1) 8' STRAIGHT PANEL (#04101 or #05102).



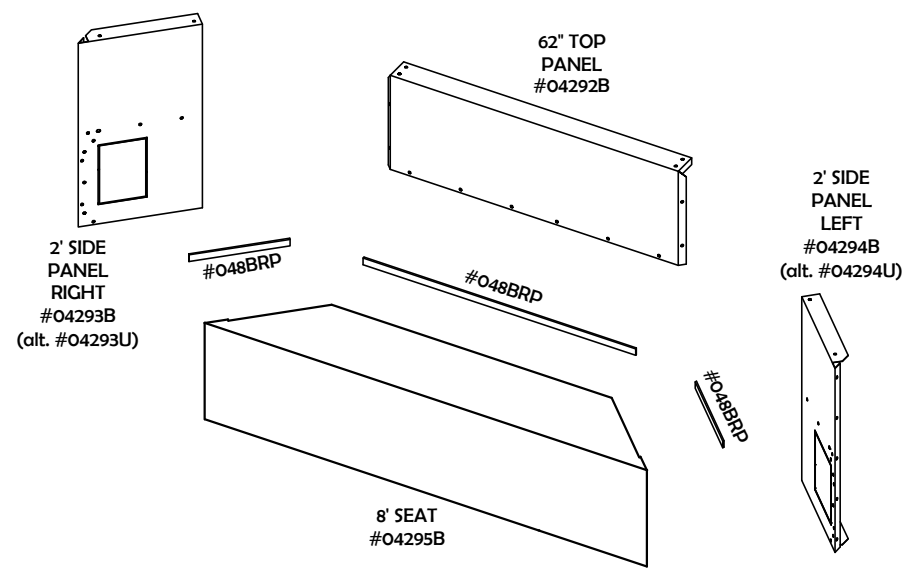
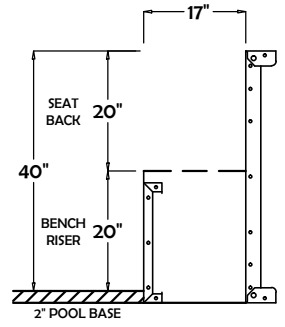
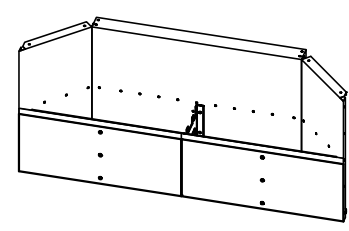
**8' x 2' DIAGONAL CUDDLE COVE COMPLETE:
#04291B**



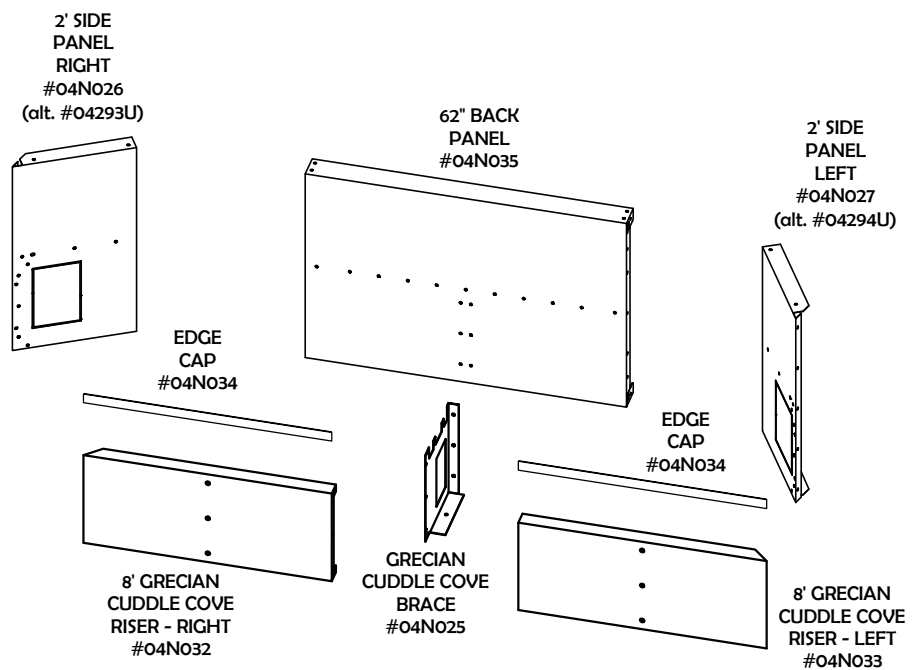
750 STAIR FILLER (#04202) REPLACES GRECIAN CORNER FILLER (#04203) WHEN PUTTING A DIAGONAL CUDDLE COVE AT THE CORNER OF A GRECIAN POOL.



**8' x 2' DIAGONAL NEXUS CUDDLE COVE COMPLETE:
#04291BNS**

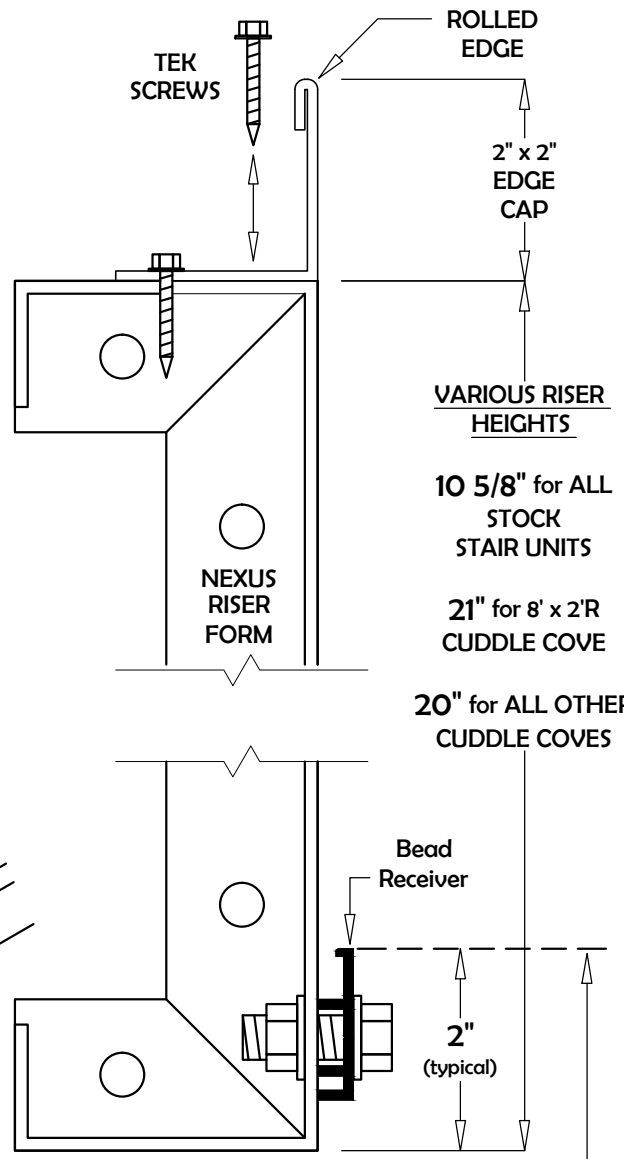
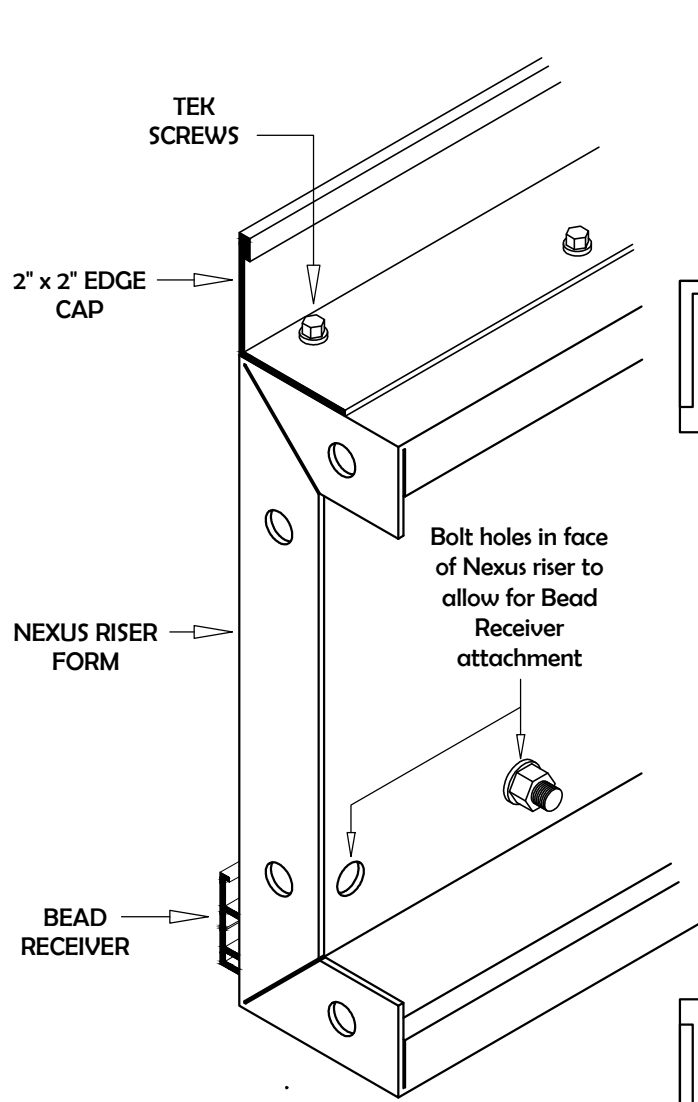


2' SIDE PANELS FOR DIAGONAL CUDDLE COVE UNITS WILL TRANSITION FROM UNIQUE PARTS FOR CLOSED TOP & NEXUS, TO UNIVERSAL PANELS OVER THE 2022 SEASON. PLEASE NOTE ALTERNATE CODE #'S MAY BE SUBSTITUTED IN THE ASSEMBLY



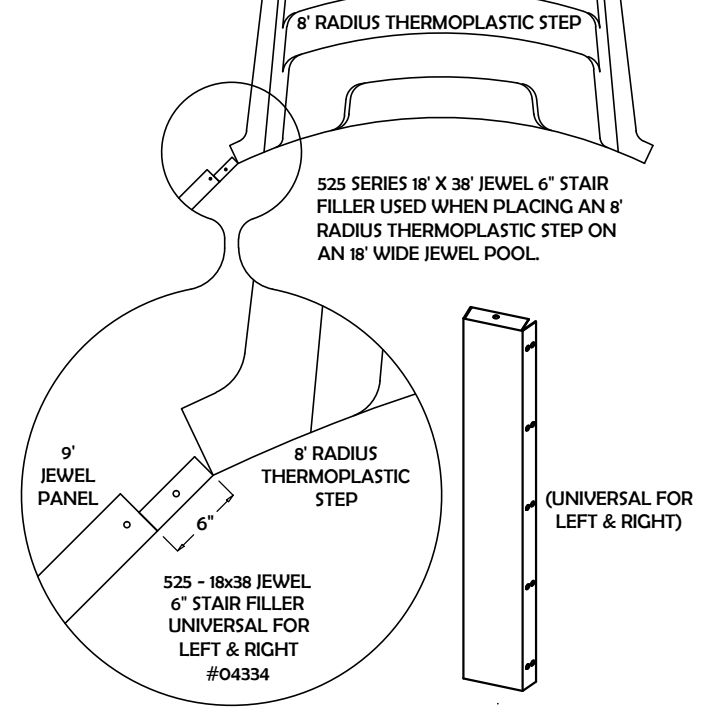
2' SIDE PANELS FOR DIAGONAL CUDDLE COVE UNITS WILL TRANSITION FROM UNIQUE PARTS FOR CLOSED TOP & NEXUS, TO UNIVERSAL PANELS OVER THE 2022 SEASON. PLEASE NOTE ALTERNATE CODE #'S MAY BE SUBSTITUTED IN THE ASSEMBLY

Nexus Assembly Diagram & Thermoplastic Step Fillers

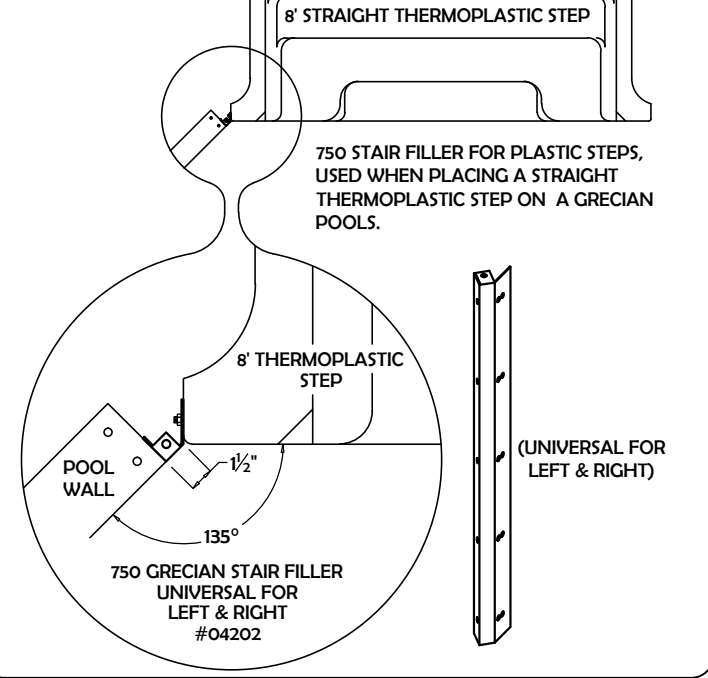


Note: Bead Receiver will NOT be attached at the base of a bench riser or at the base of the bottom step riser. Those steel components will not have pre-punched bolt holes for the Bead Receiver

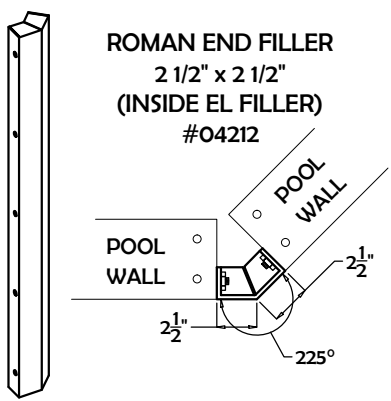
525 JEWEL STAIR FILLER



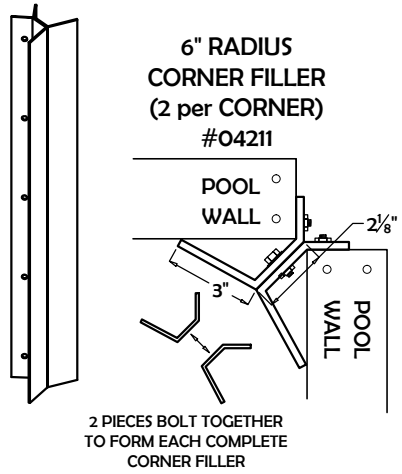
750 GRECIAN STAIR FILLER



Corner Fillers

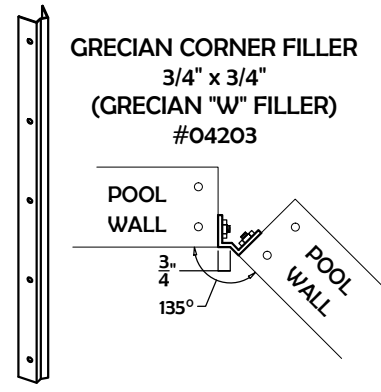


ROMAN END FILLER
2 1/2" x 2 1/2"
(INSIDE EL FILLER)
#04212

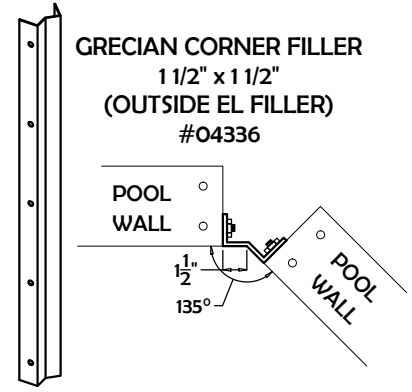


**6" RADIUS
CORNER FILLER**
(2 per CORNER)
#04211

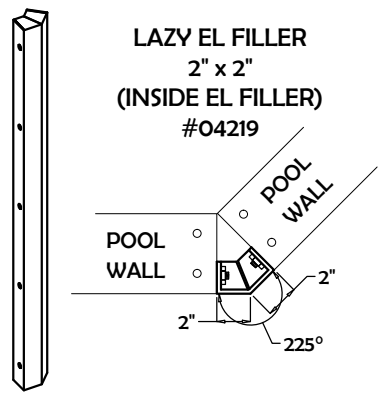
2 PIECES BOLT TOGETHER
TO FORM EACH COMPLETE
CORNER FILLER



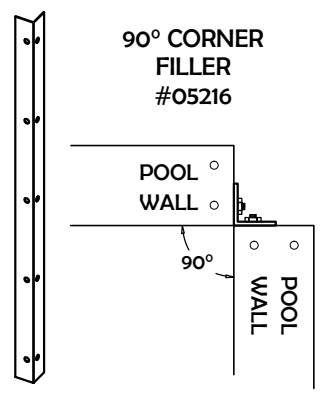
GRECIAN CORNER FILLER
3/4" x 3/4"
(GRECIAN "W" FILLER)
#04203



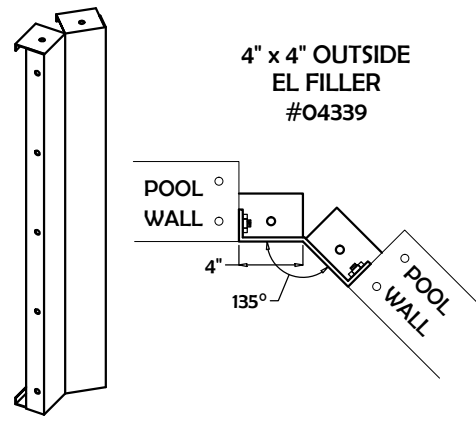
GRECIAN CORNER FILLER
1 1/2" x 1 1/2"
(OUTSIDE EL FILLER)
#04336



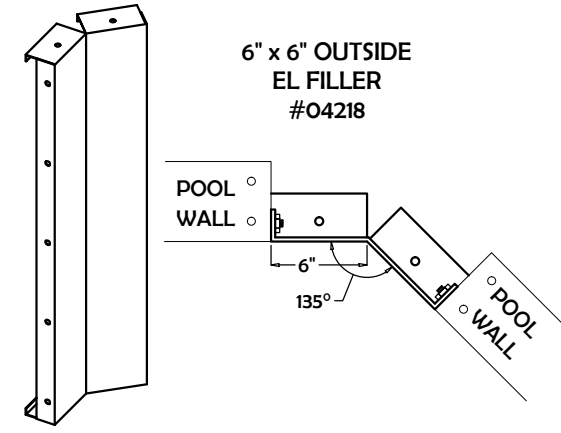
LAZY EL FILLER
2" x 2"
(INSIDE EL FILLER)
#04219



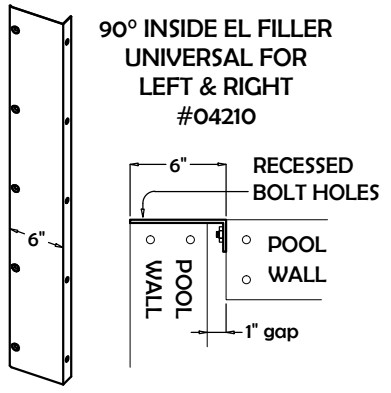
**90° CORNER
FILLER**
#05216



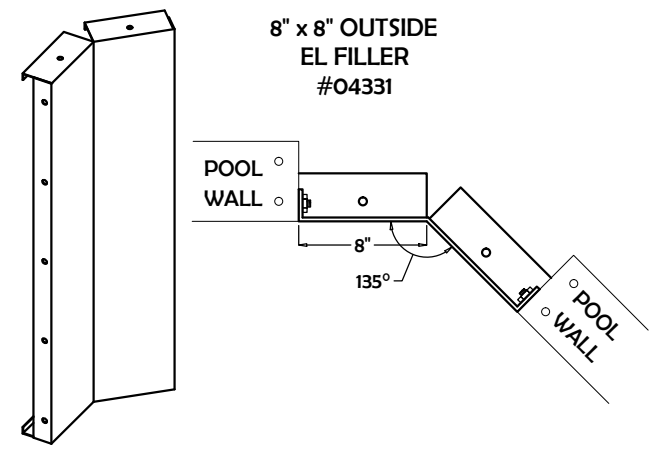
**4" x 4" OUTSIDE
EL FILLER**
#04339



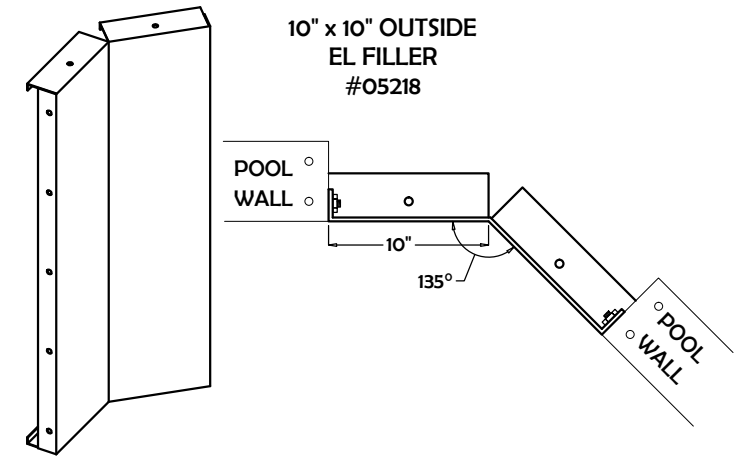
**6" x 6" OUTSIDE
EL FILLER**
#04218



**90° INSIDE EL FILLER
UNIVERSAL FOR
LEFT & RIGHT**
#04210

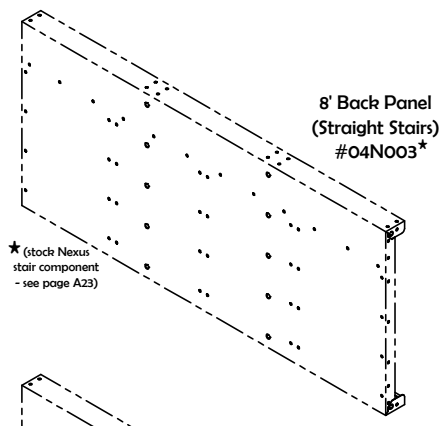


**8" x 8" OUTSIDE
EL FILLER**
#04331

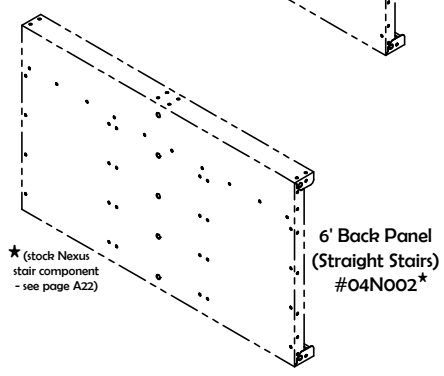


**10" x 10" OUTSIDE
EL FILLER**
#05218

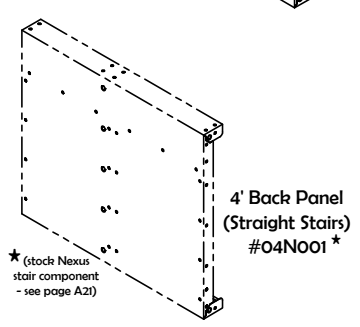
Modular Step & Bench Component Parts



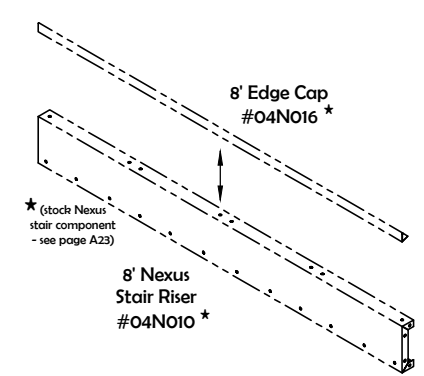
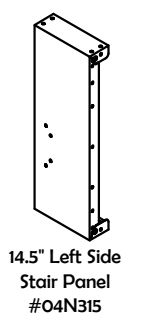
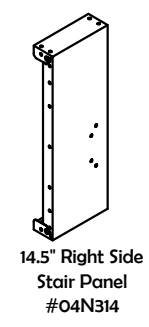
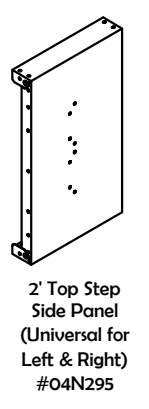
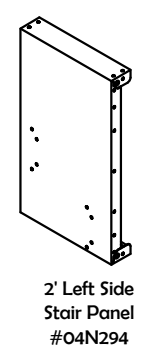
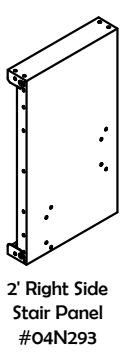
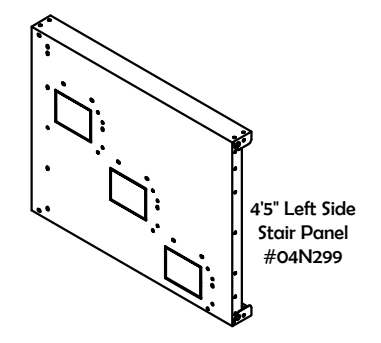
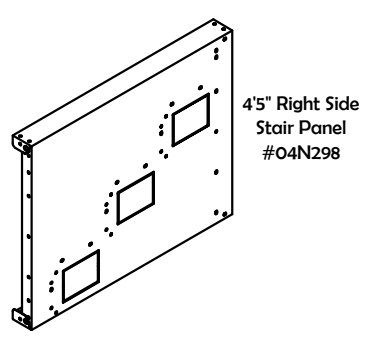
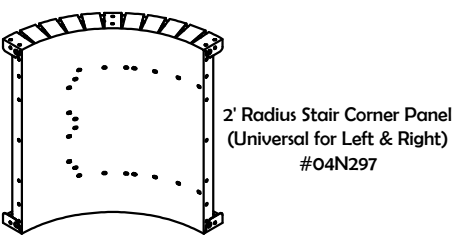
★ (stock Nexus stair component - see page A23)



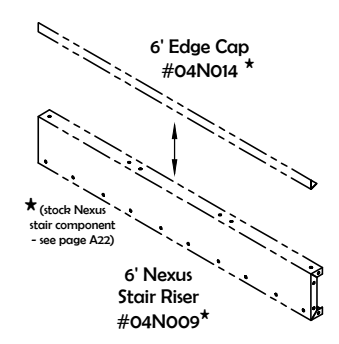
★ (stock Nexus stair component - see page A22)



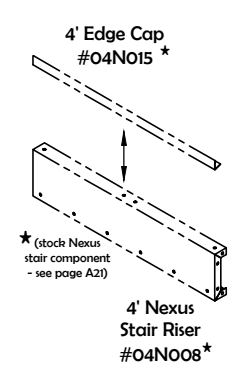
★ (stock Nexus stair component - see page A21)



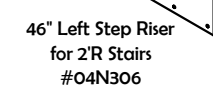
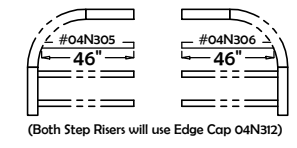
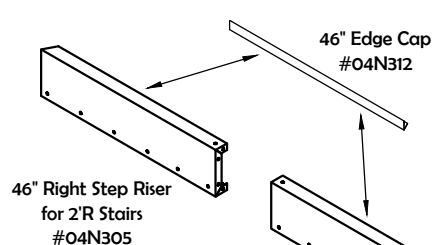
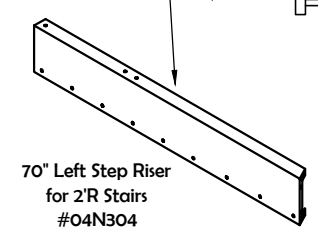
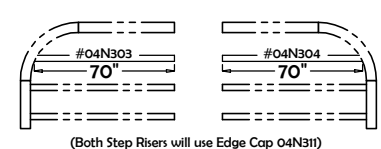
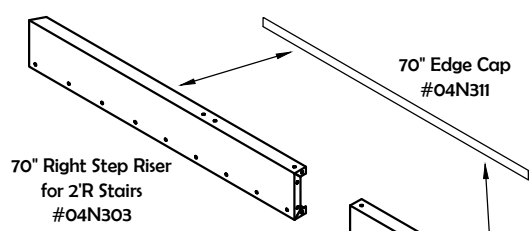
★ (stock Nexus stair component - see page A23)



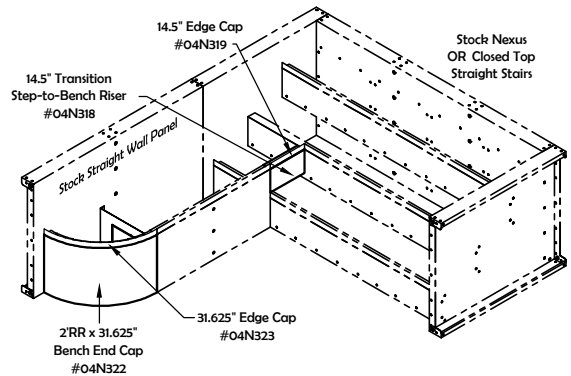
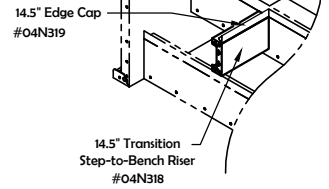
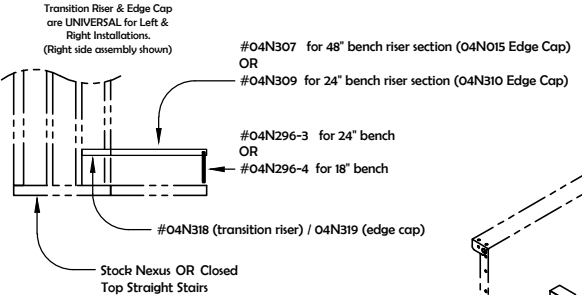
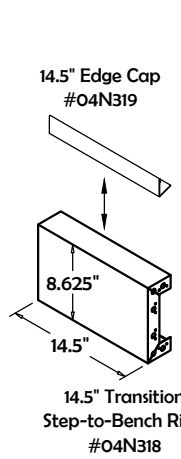
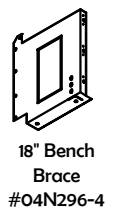
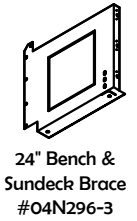
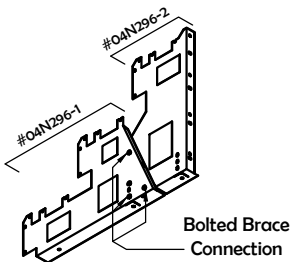
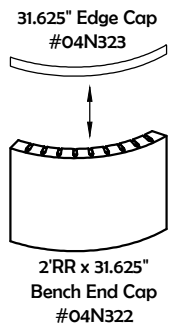
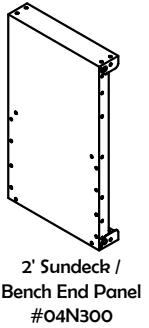
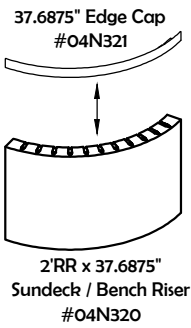
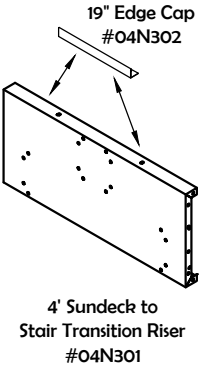
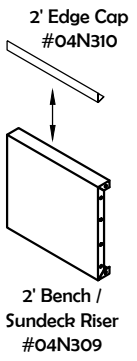
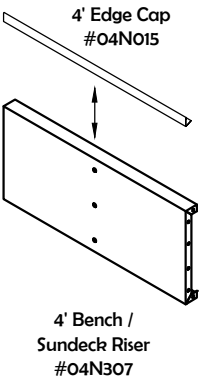
★ (stock Nexus stair component - see page A22)



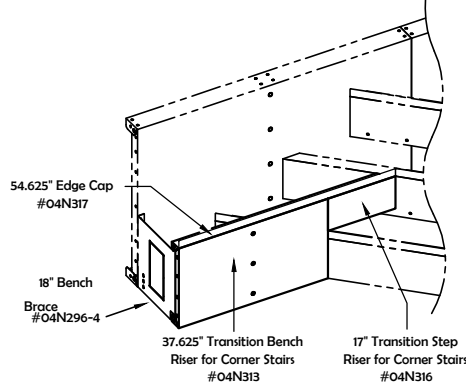
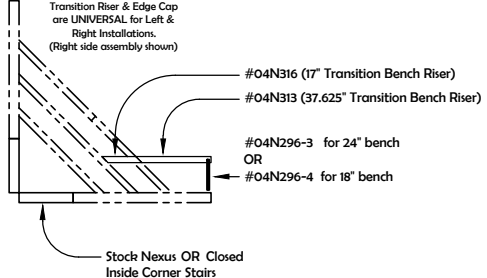
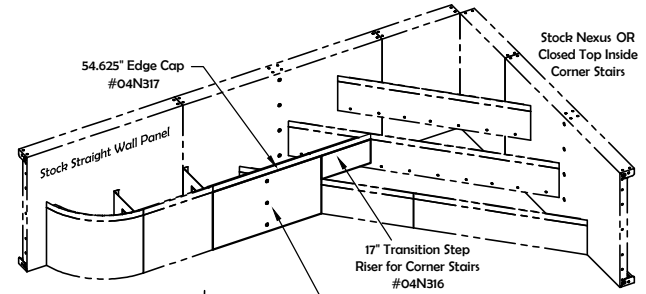
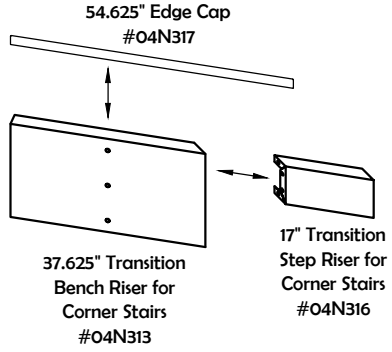
★ (stock Nexus stair component - see page A21)



Modular Step & Bench Component Parts & Assemblies

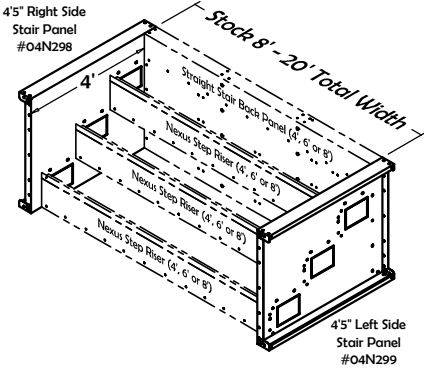


Stock Straight Stair w/ Bench Transition Panel
(18" right side bench assembly with Nexus stair shown)

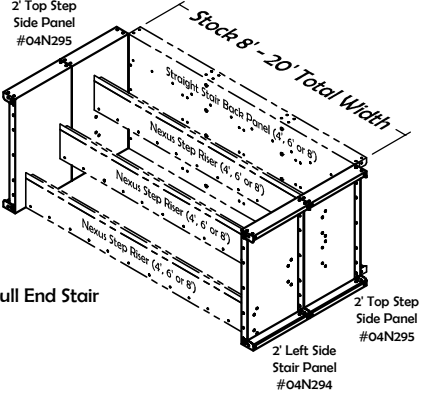
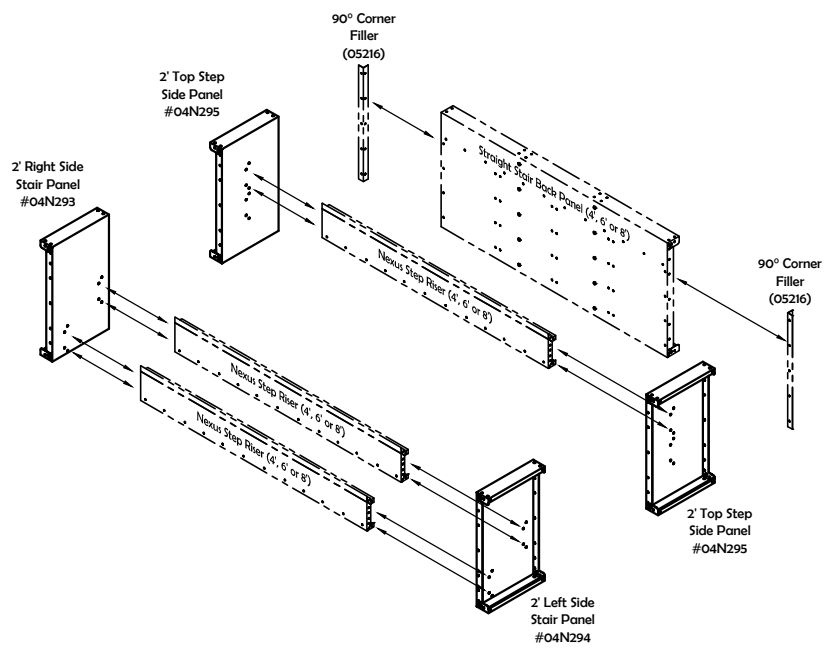
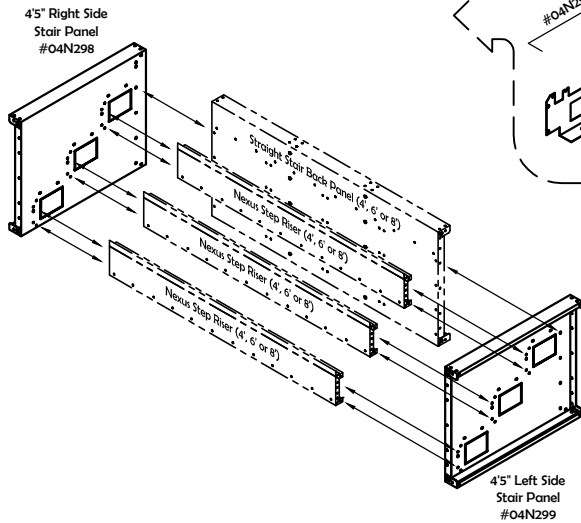


Stock Inside Corner Stair w/ Bench Transition Panel
(18" right side bench assembly with Nexus stair shown)

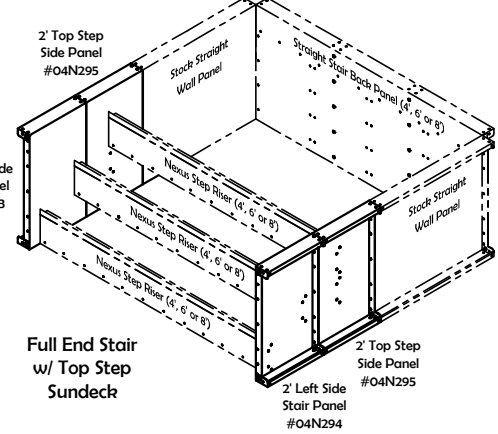
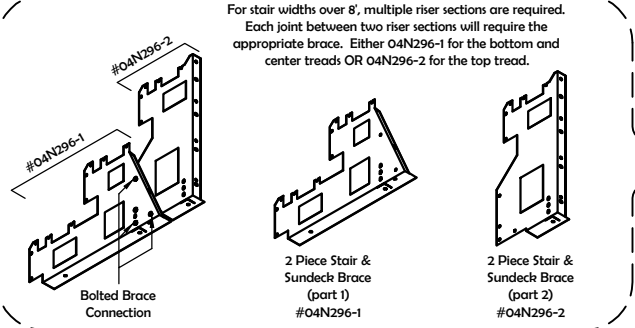
Modular Step & Bench Assemblies



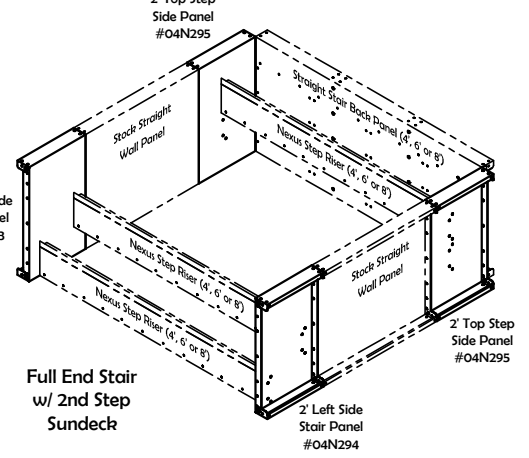
Straight Full End Stair w/ 4.5" Side Panels
 (4.5" Side Panels will be standard on all stock Nexus AND Closed Top, full end stair units 12' wide and larger)



Full End Straight Stair & Sundeck
 Option w/ Split Side Panels
 (2' Panels Left & Right: #04N293, #04N294 & #04N295)

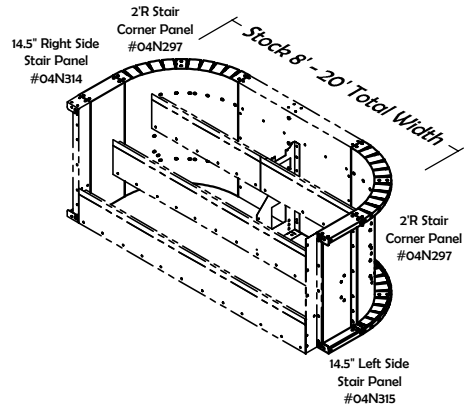


Full End Stair w/ Top Step Sundeck



Full End Stair w/ 2nd Step Sundeck

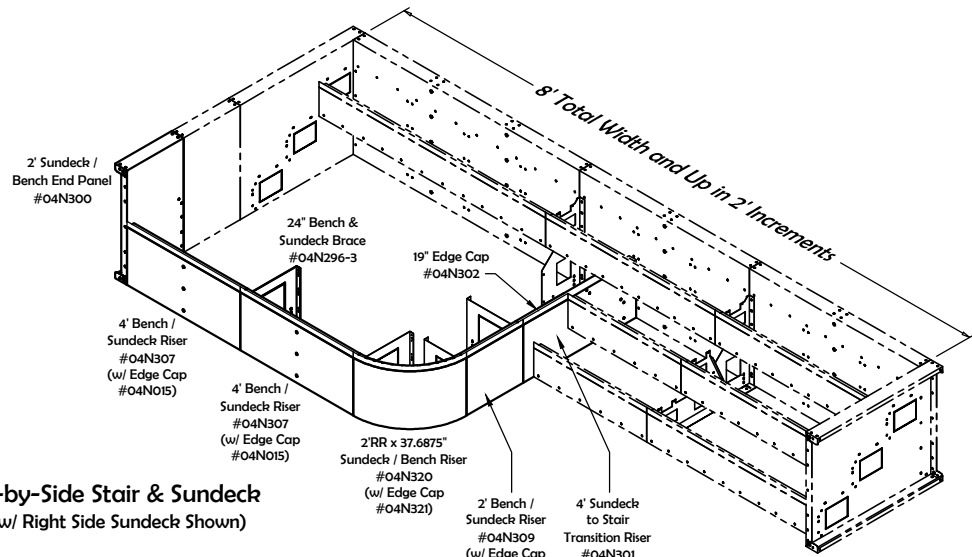
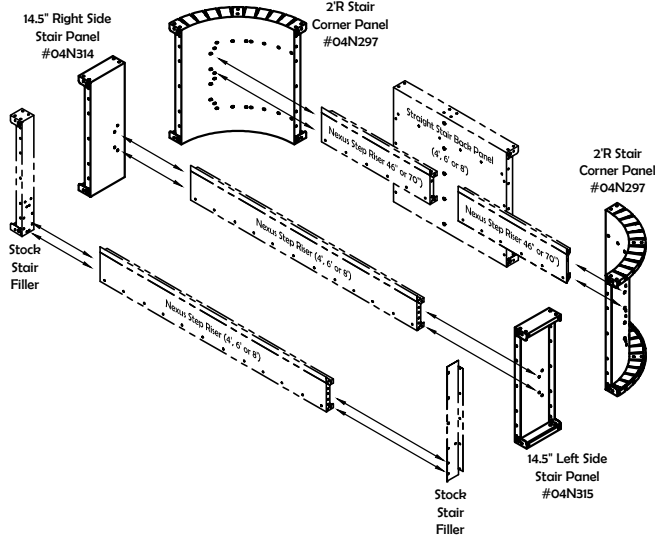
Modular Step & Bench Assemblies



Straight Stair w/ 2' Radius Corners

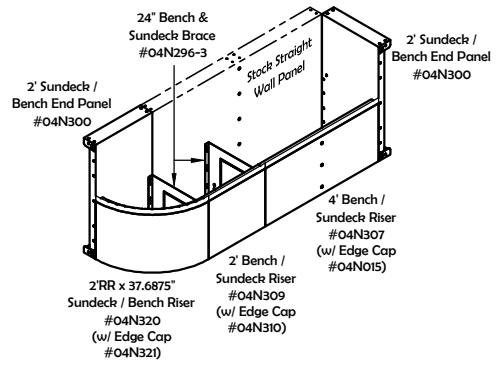
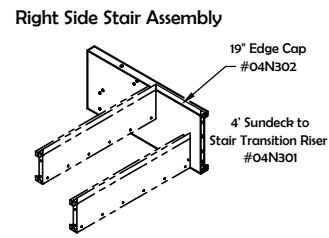
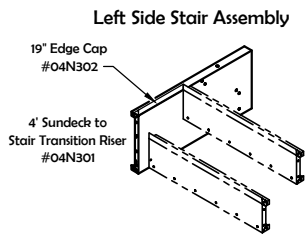
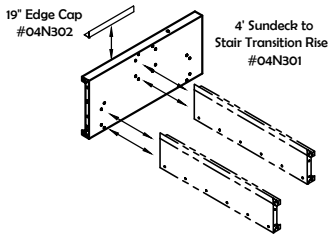
(shown with 14.5" Right [#04N314] & Left [#04N315] that allow for the use of stock stair fillers)

(2'R Corners can be used on any full end stair assembly including full end stair & sundeck versions as well as Side-by-Side Stair & Sundeck units)

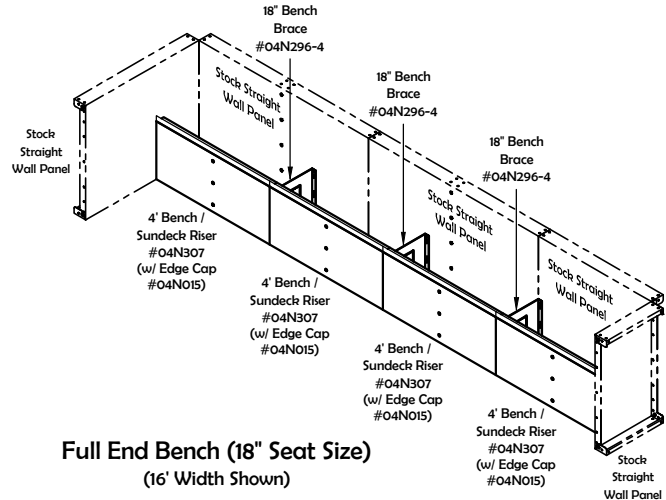


Full End Side-by-Side Stair & Sundeck (Left Side Stair w/ Right Side Sundeck Shown)

(4' Sundeck to Stair Transition Riser [04N301] & 19" Edge Cap [04N302] are Universal for Left or Right Assemblies)



Side Bench (24" Seat Size) (Right Side Bench Shown)

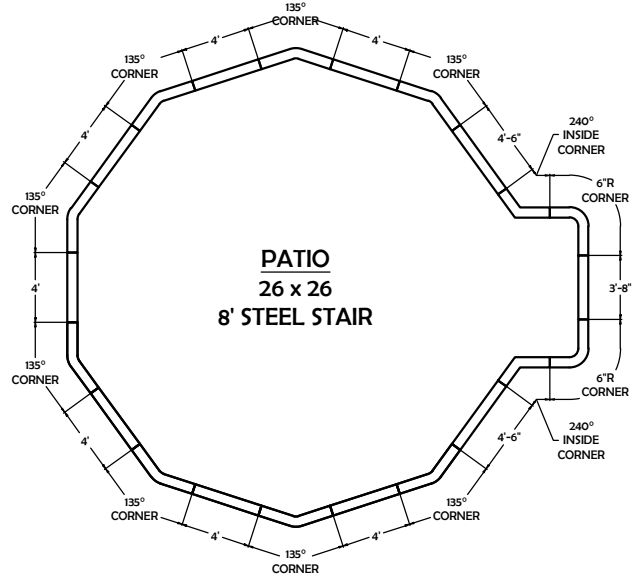
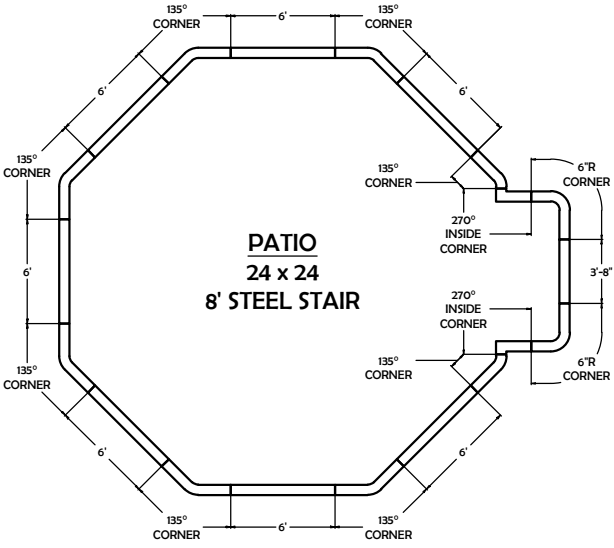
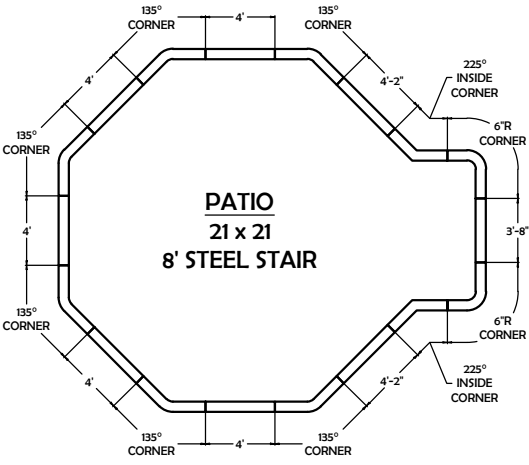
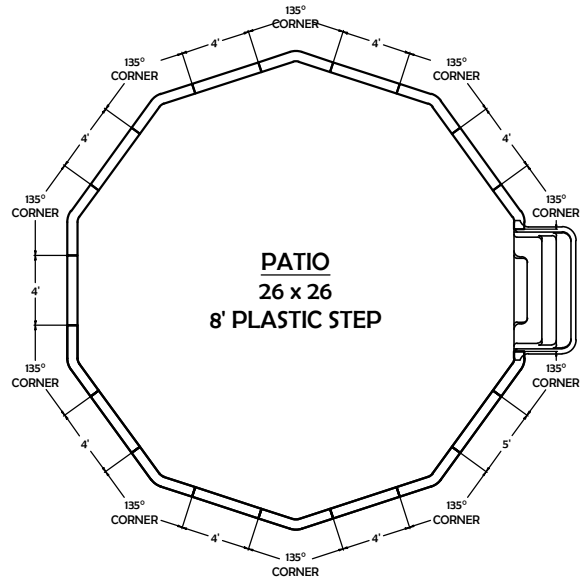
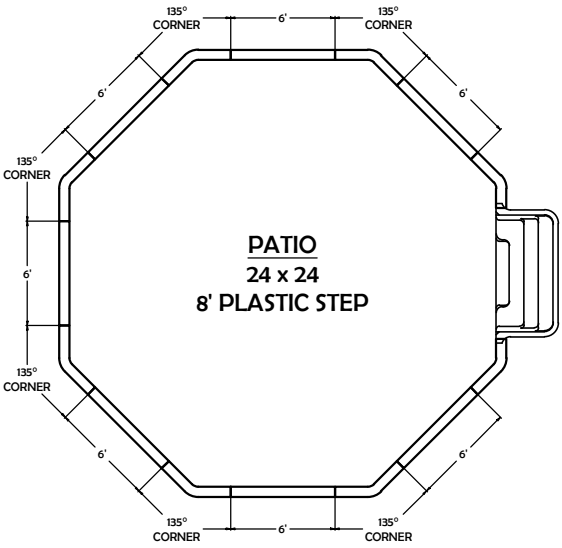
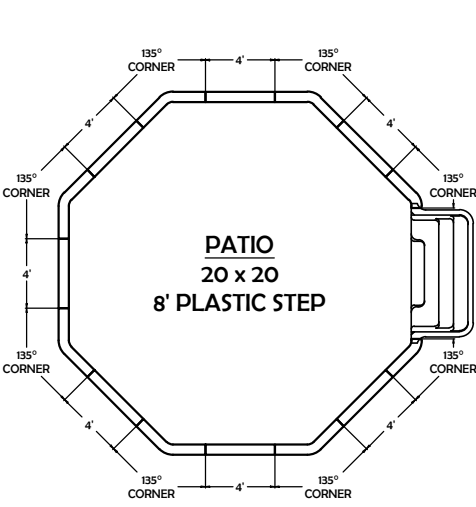


Full End Bench (18" Seat Size) (16' Width Shown)

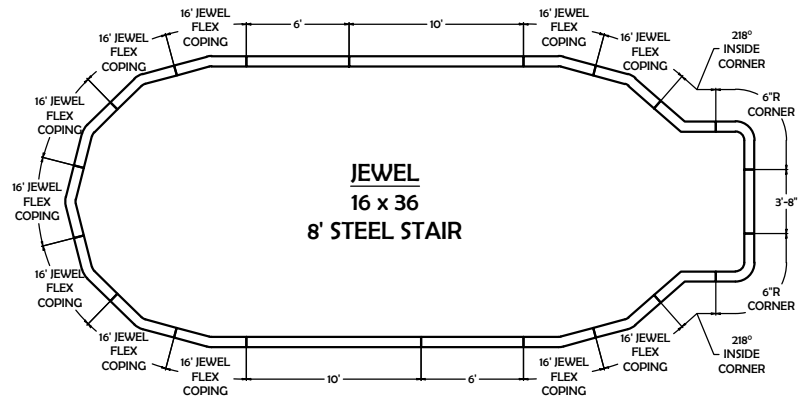
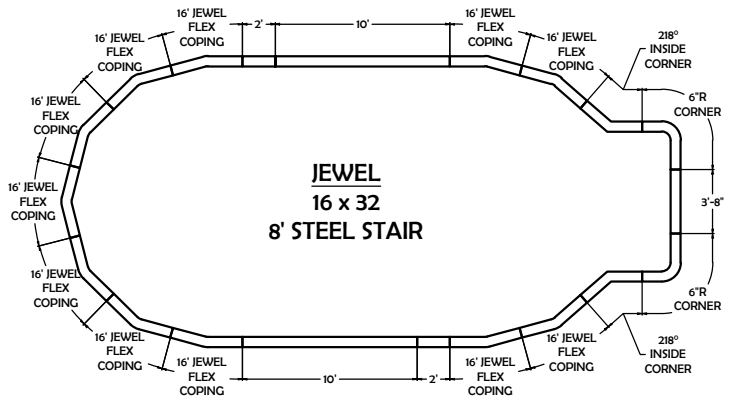
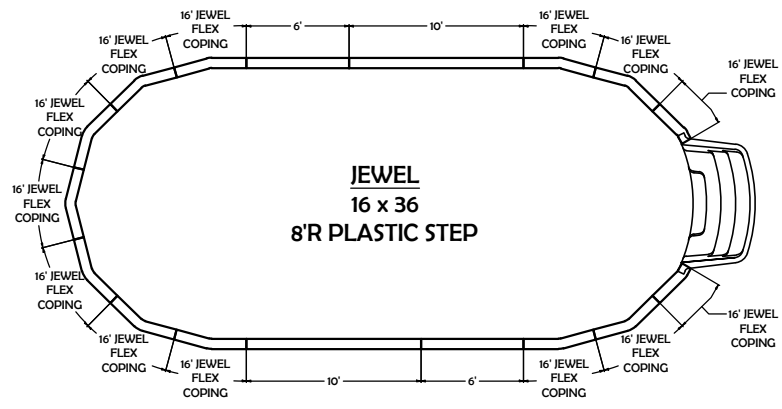
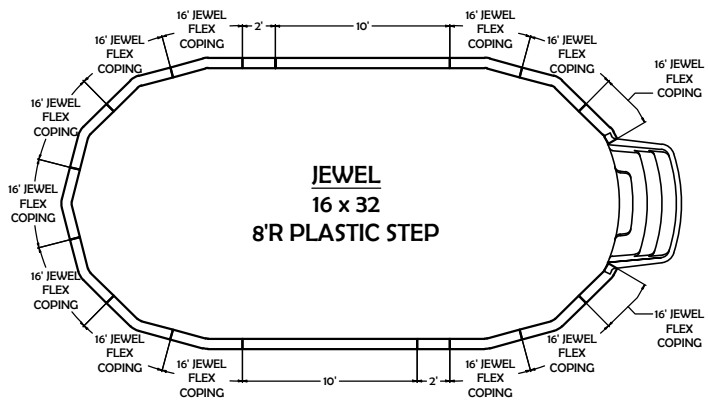
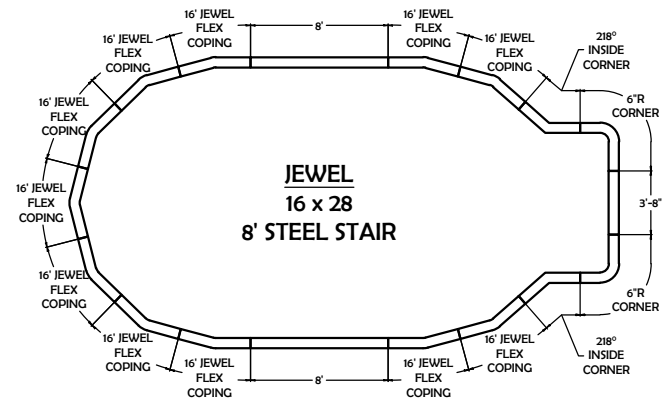
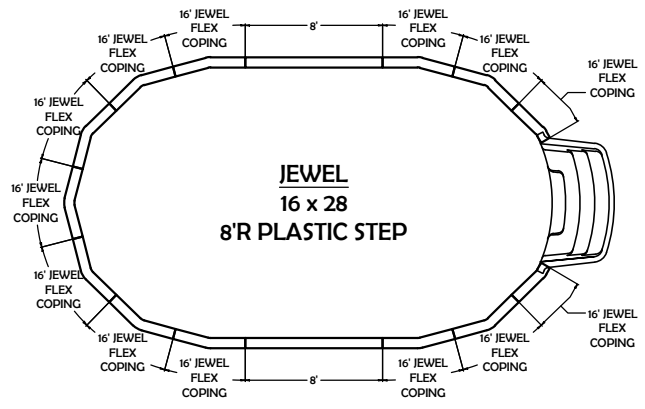
(2' Bench End Panels [04N300] are **NOT** required. Stock straight wall panels can be used but will require the installer to drill any necessary bolt holes to attach risers)

(Stock straight wall panels will be used for side and back panels. Installer will be required to drill any necessary bolt holes to attach risers)

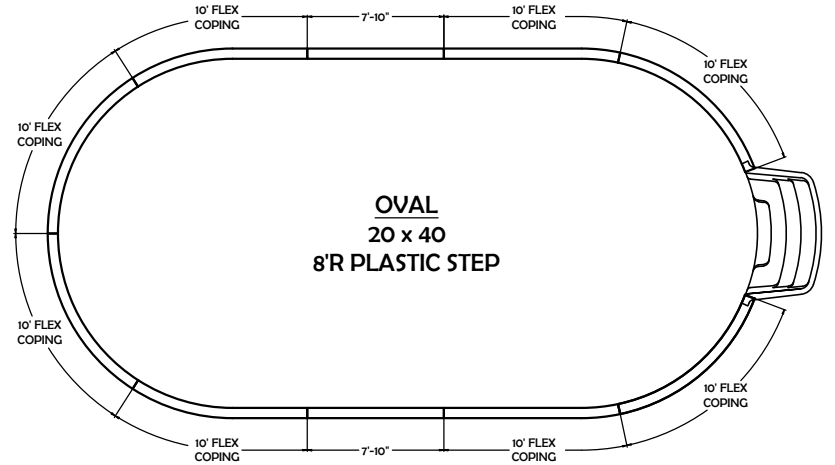
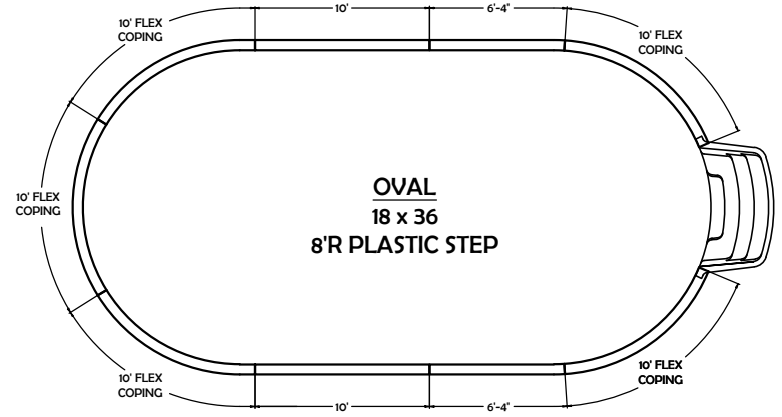
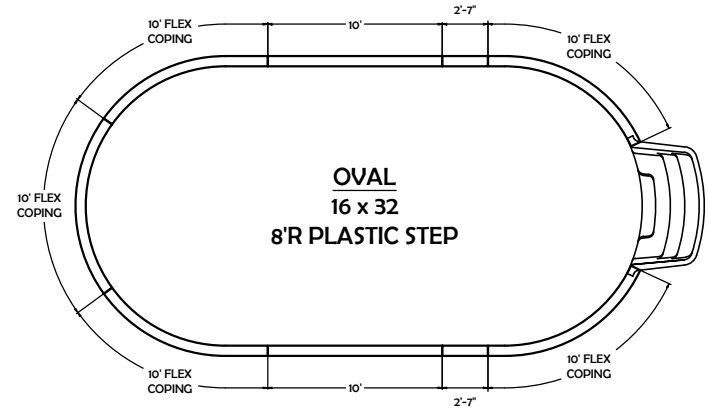
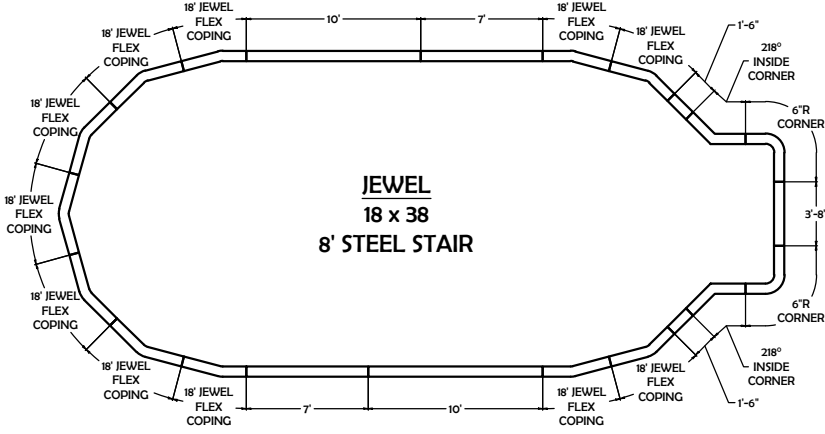
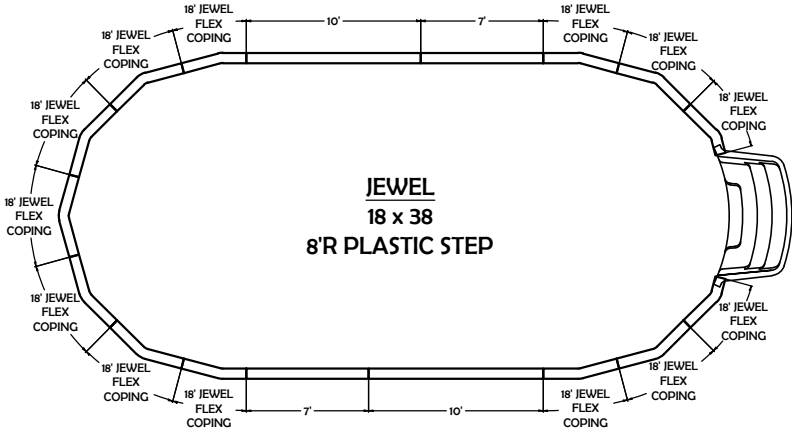
Coping Layouts - Progressive Patio Pools



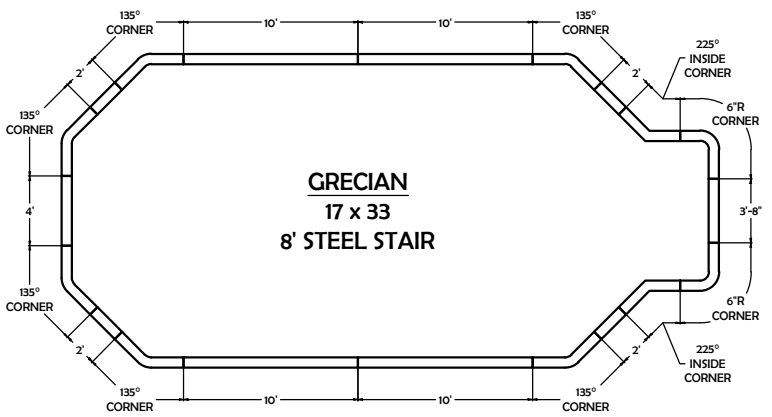
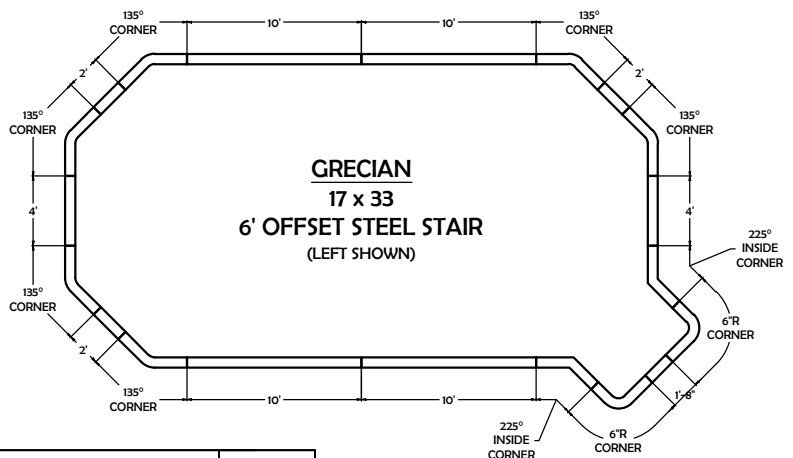
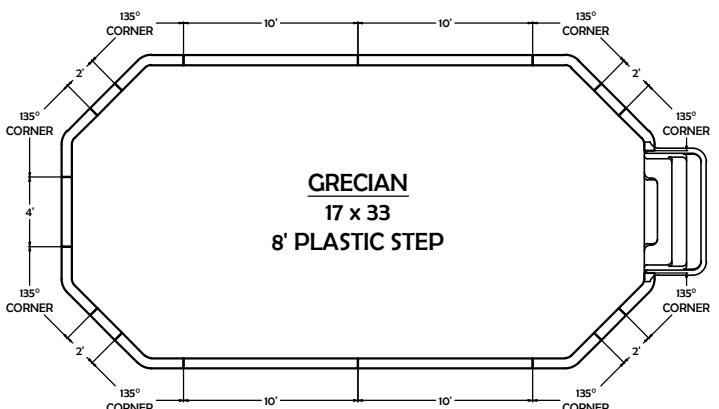
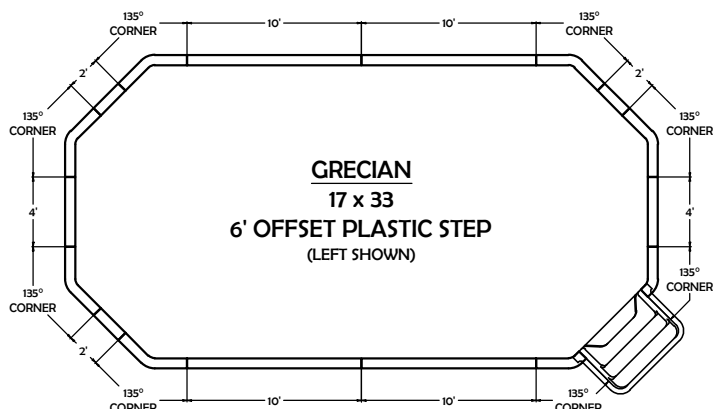
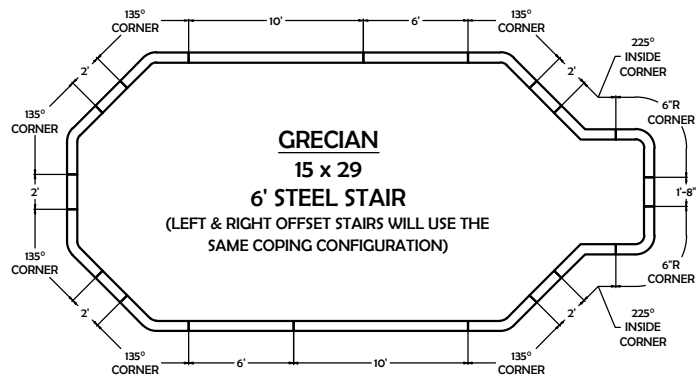
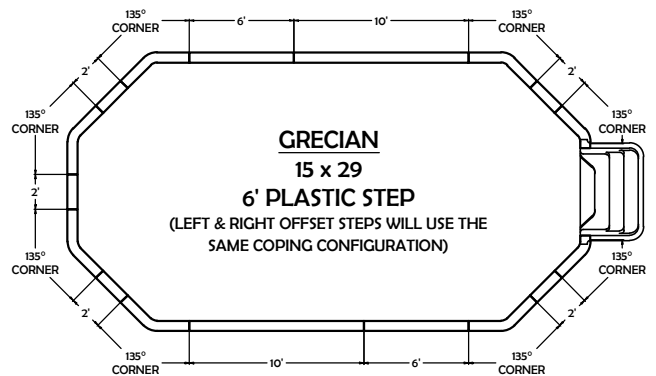
Coping Layouts - Progressive Jewel Pools



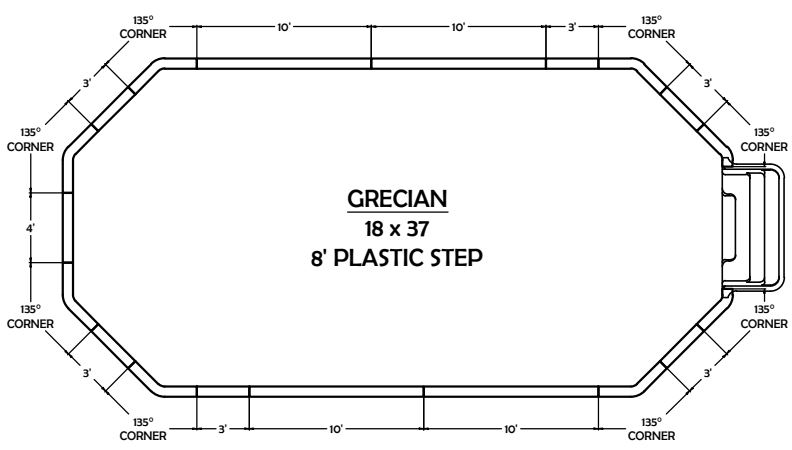
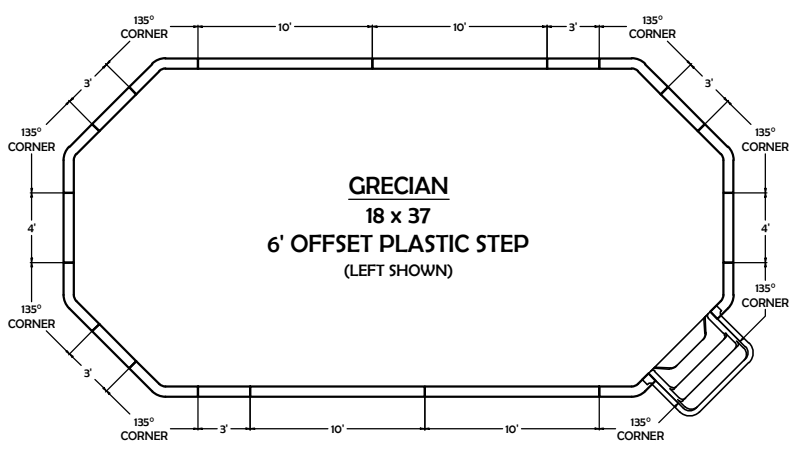
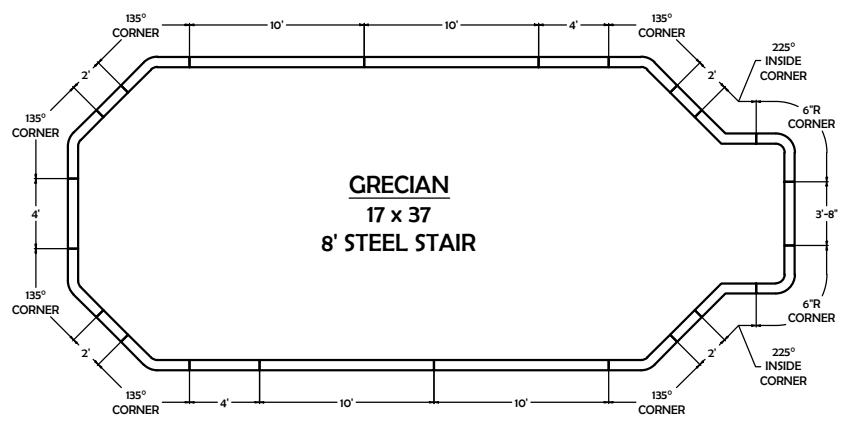
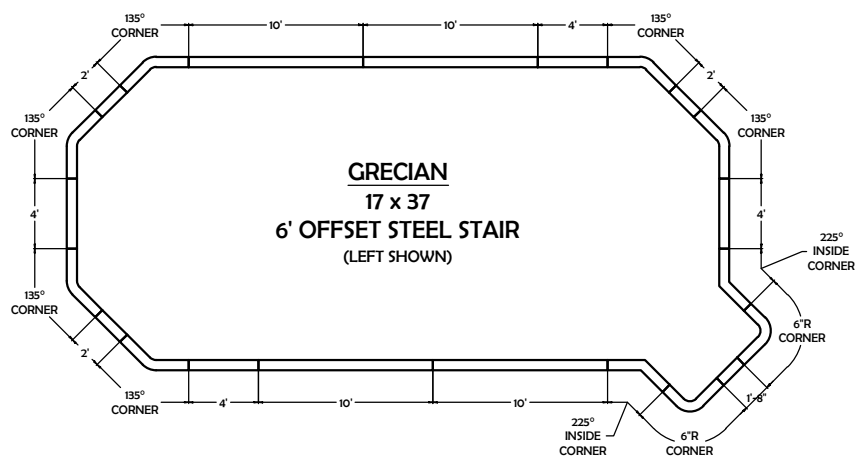
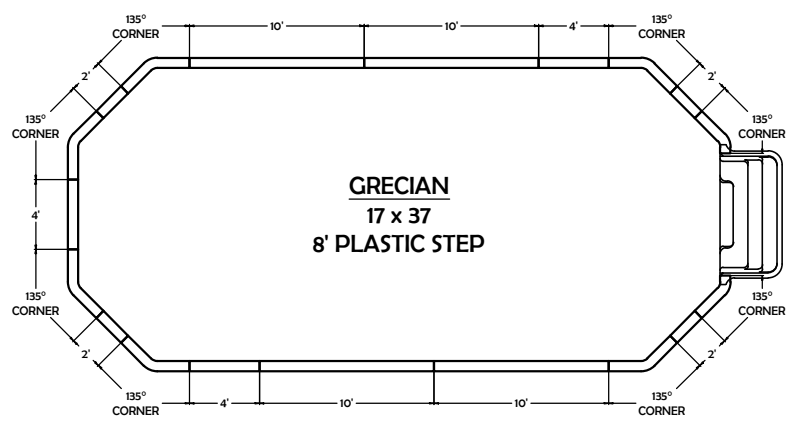
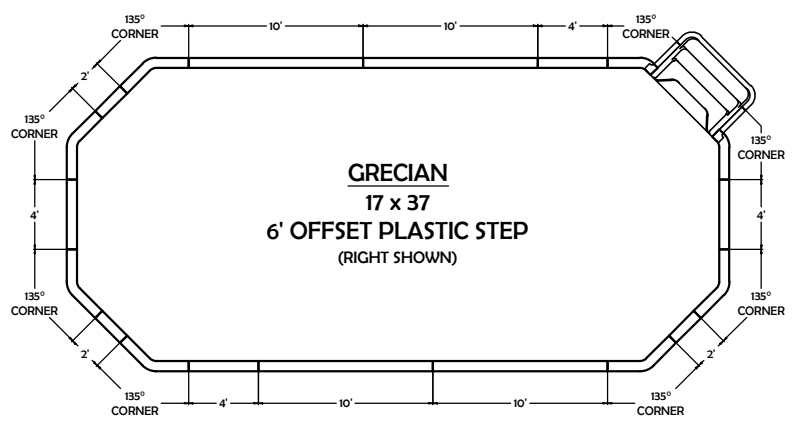
Coping Layouts - Progressive Jewel Pools & Oval Pools



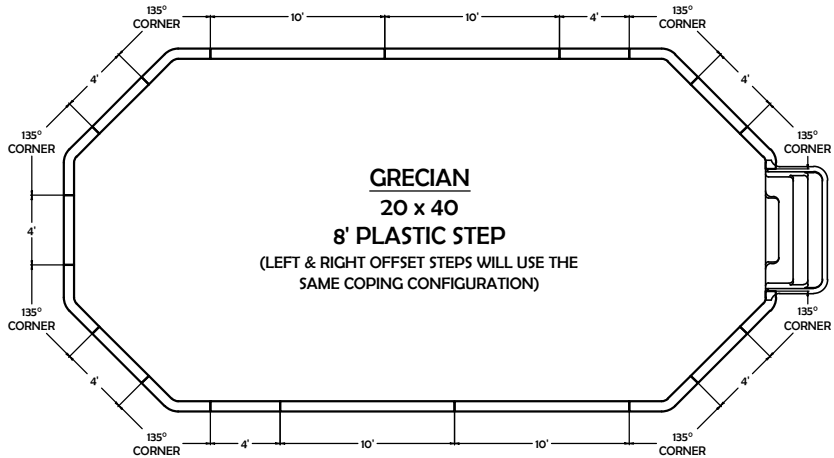
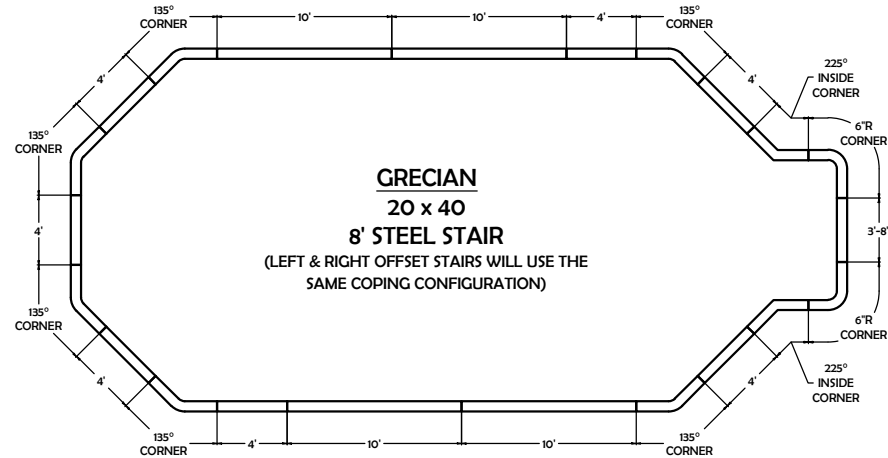
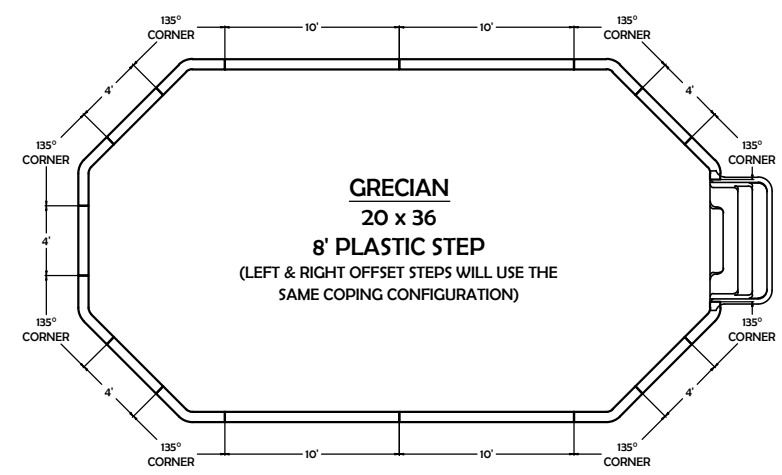
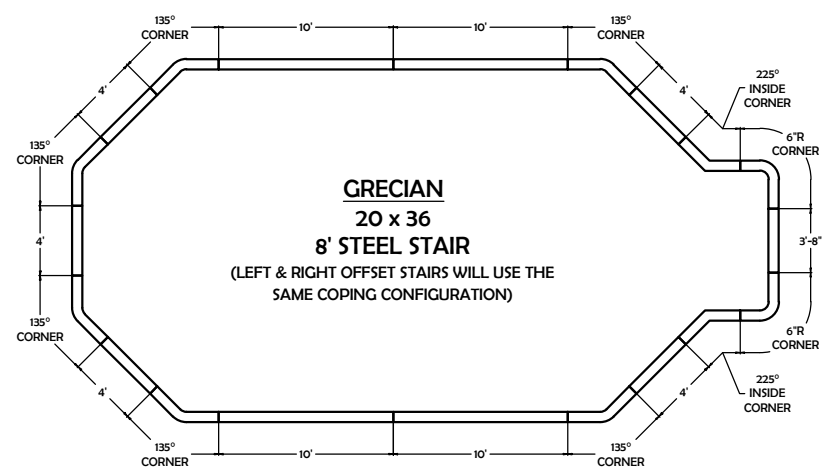
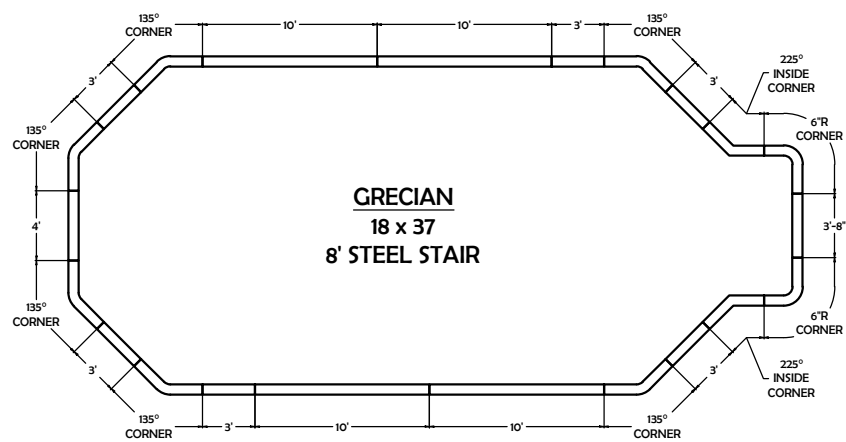
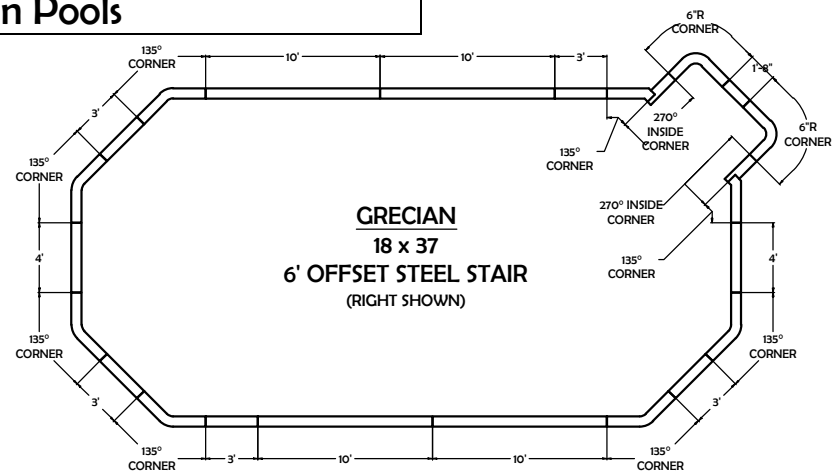
Coping Layouts - Progressive Grecian Pools



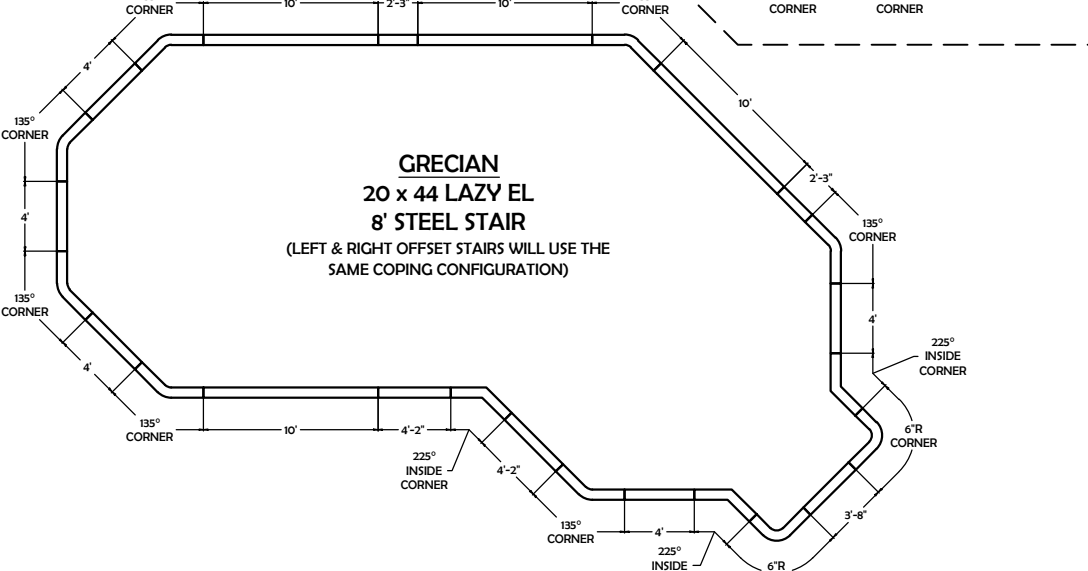
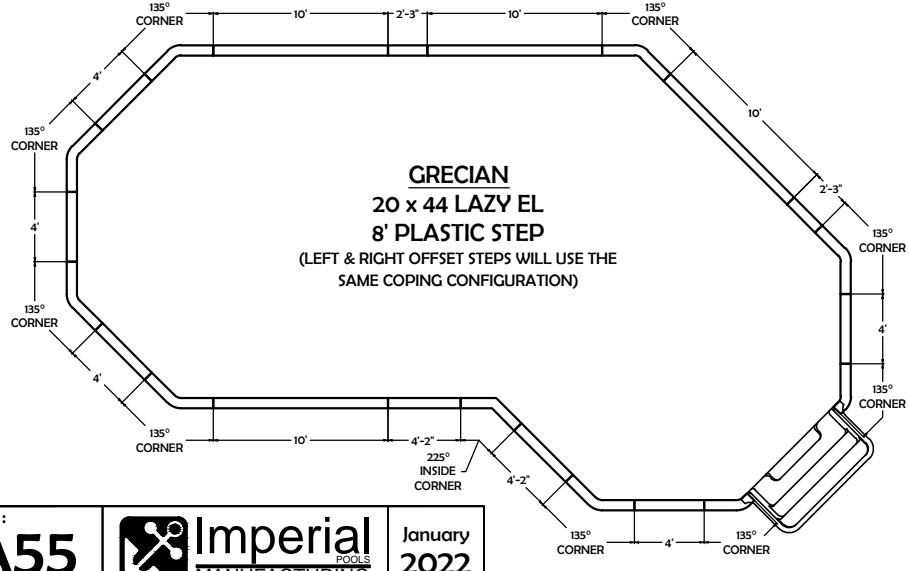
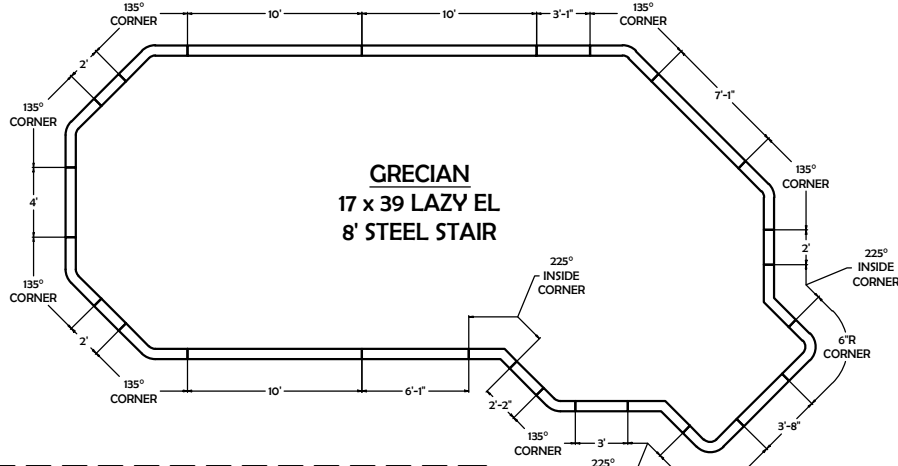
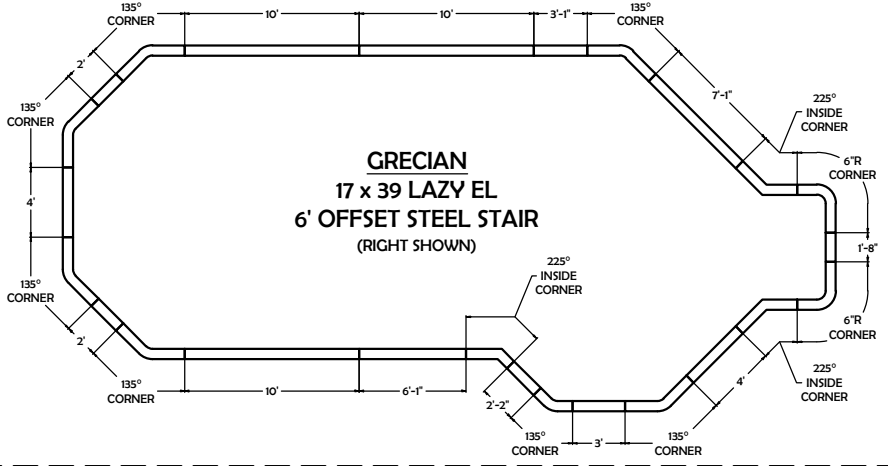
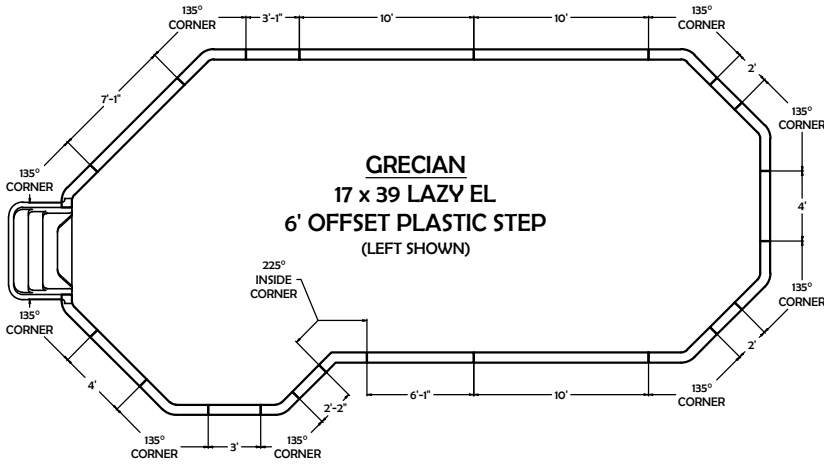
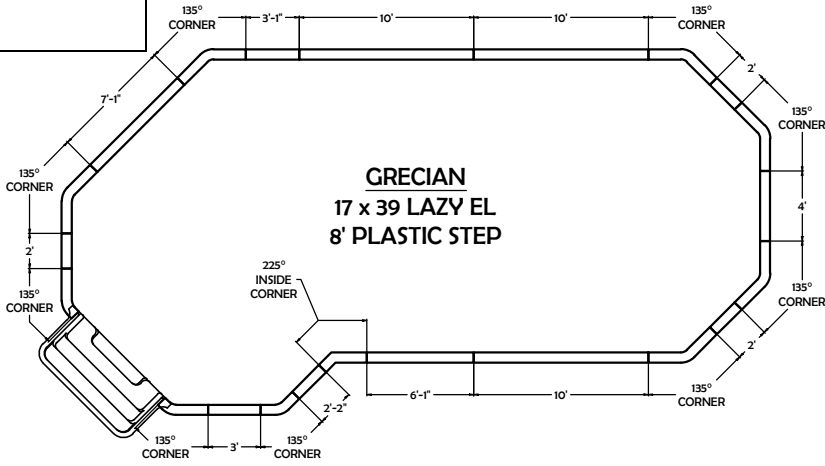
Coping Layouts - Progressive Grecian Pools



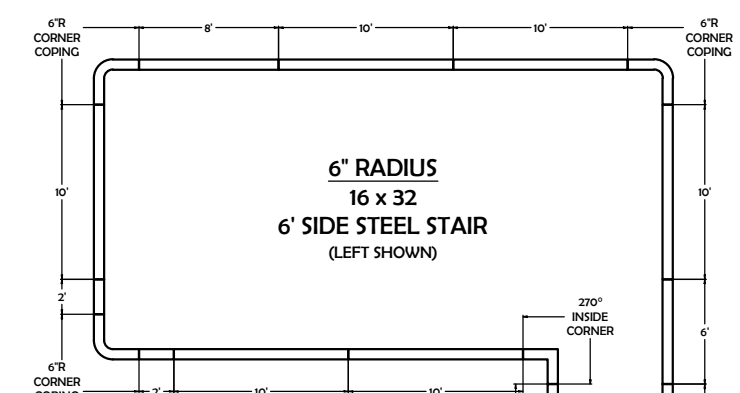
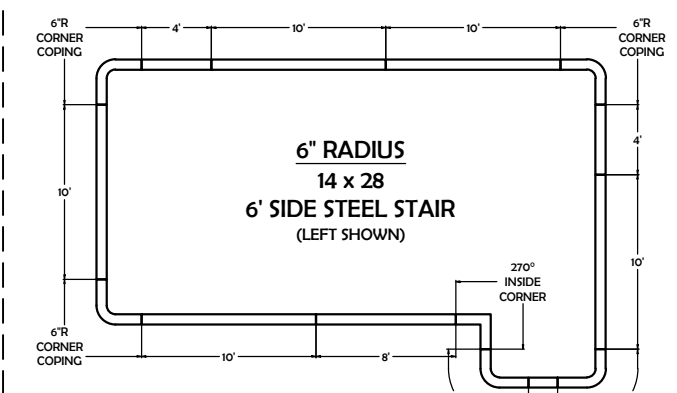
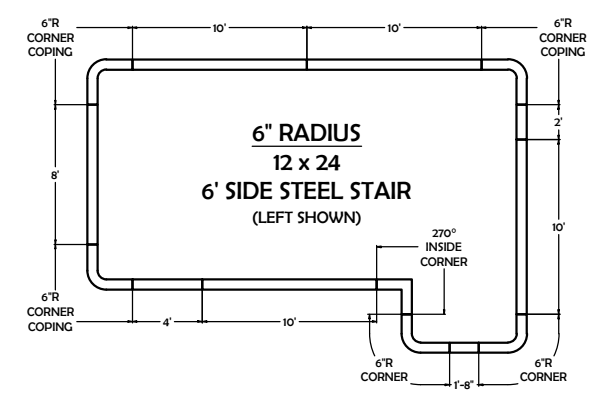
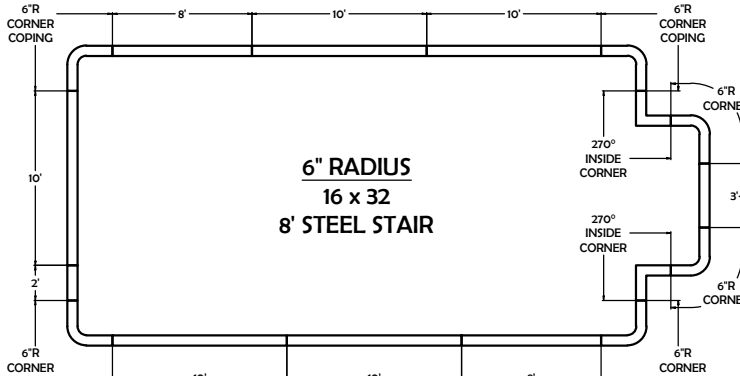
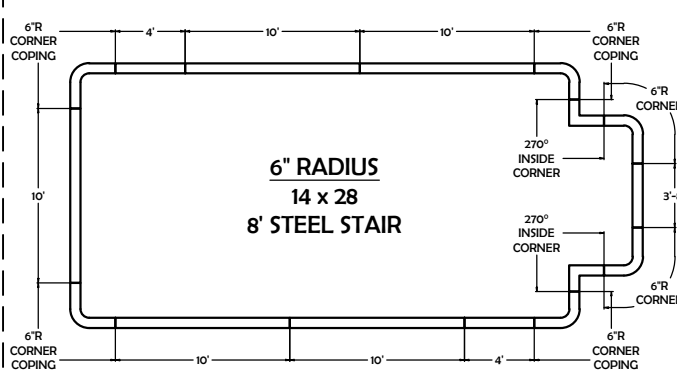
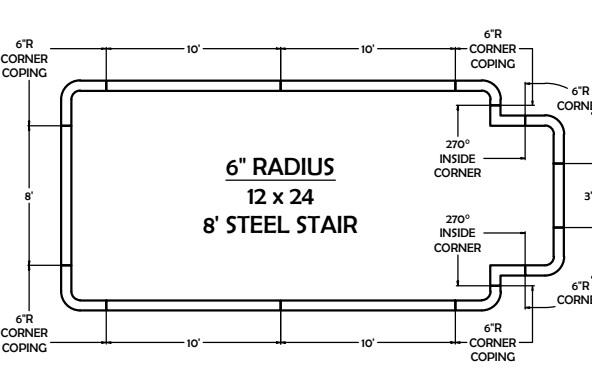
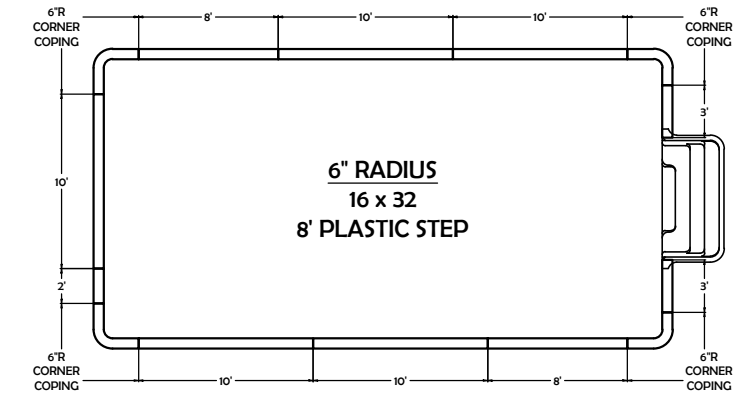
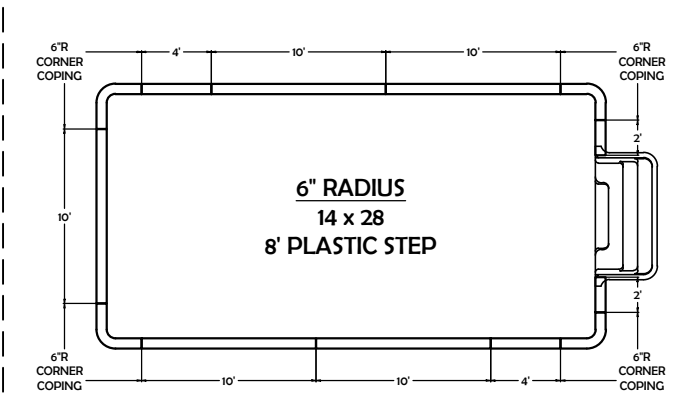
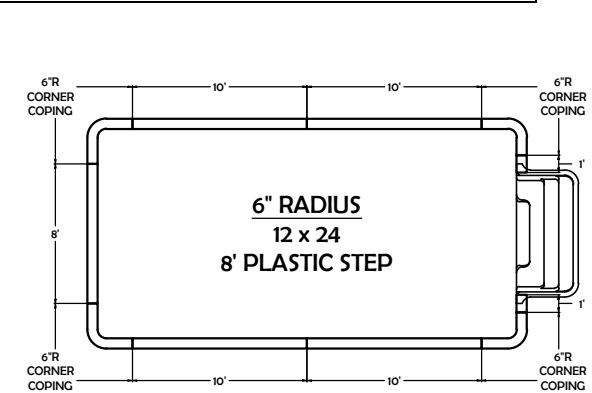
Coping Layouts - Progressive Grecian Pools



Coping Layouts - Progressive Grecian Pools

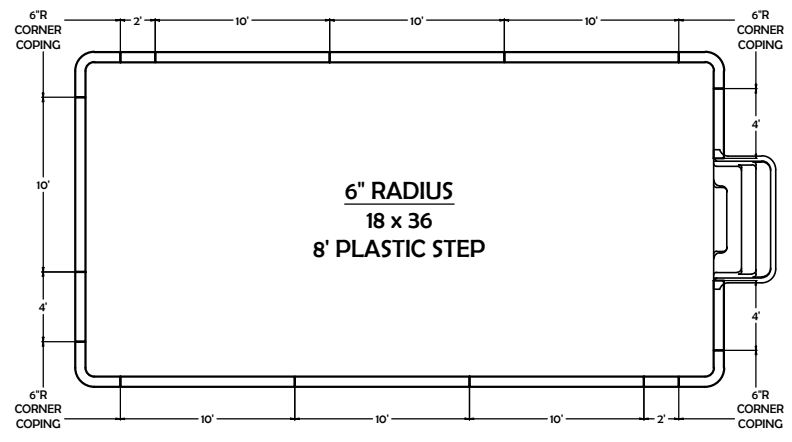
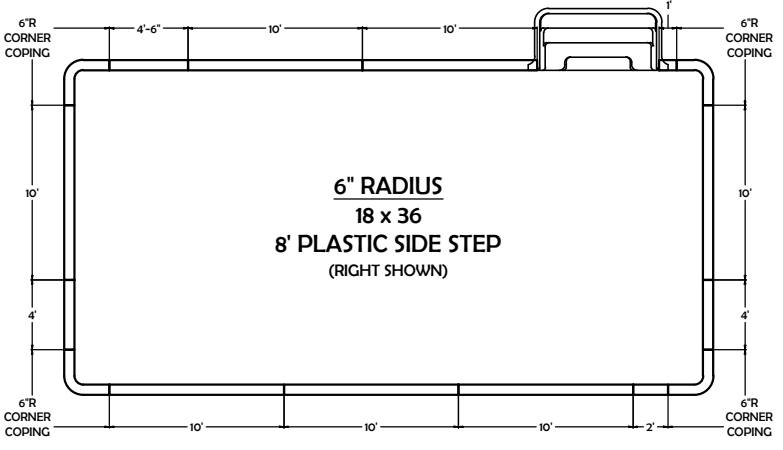
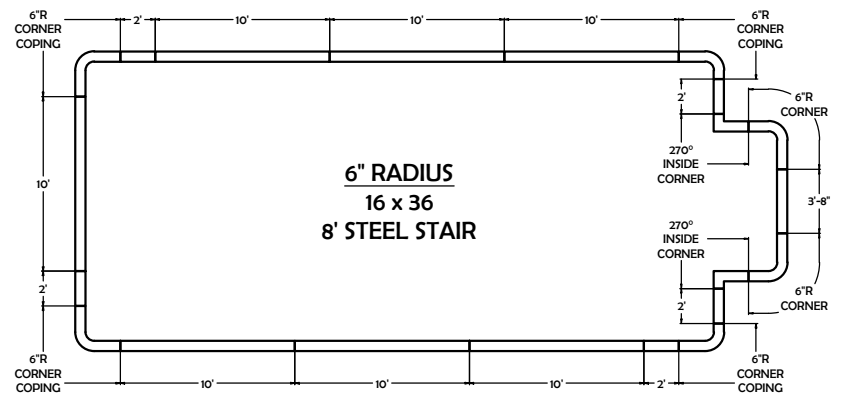
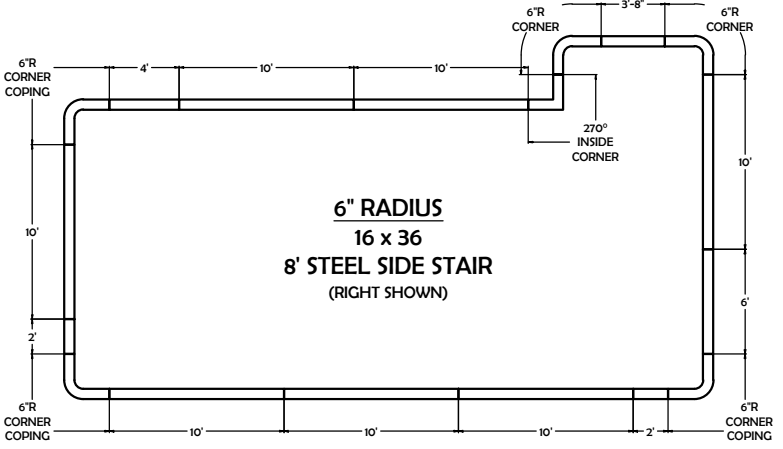
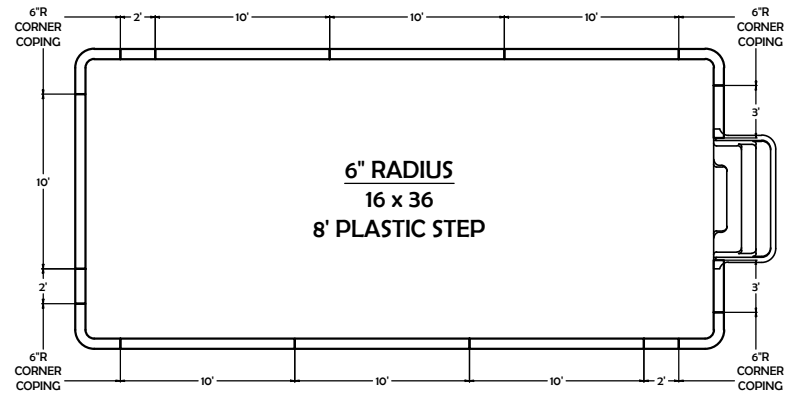
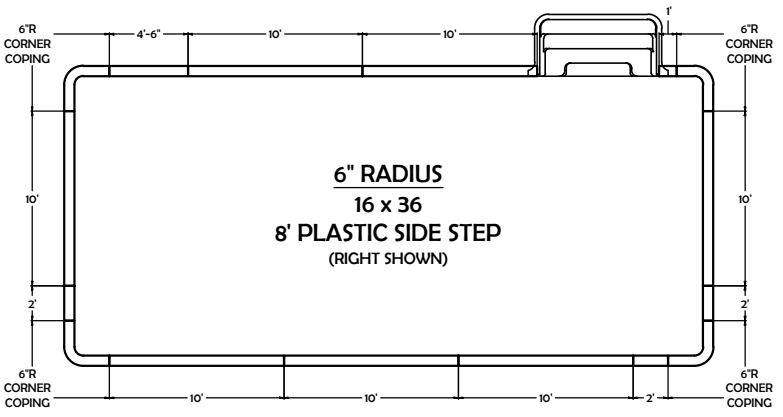


Coping Layouts - Progressive 6" Radius Pools



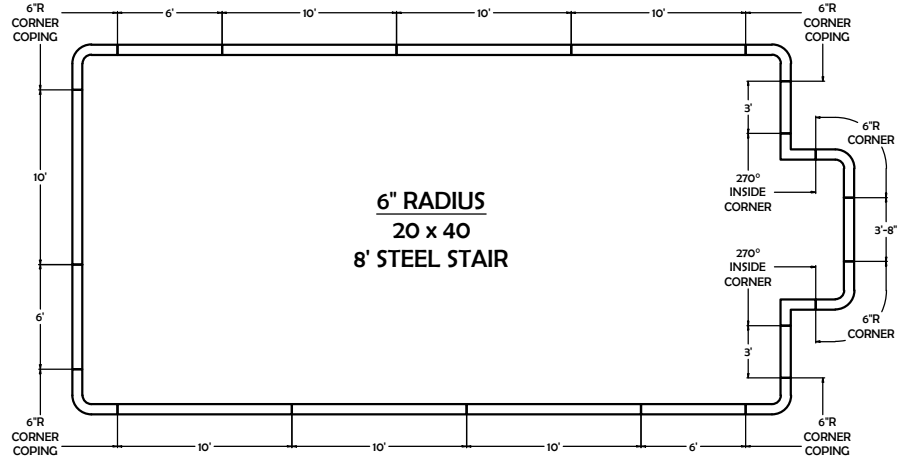
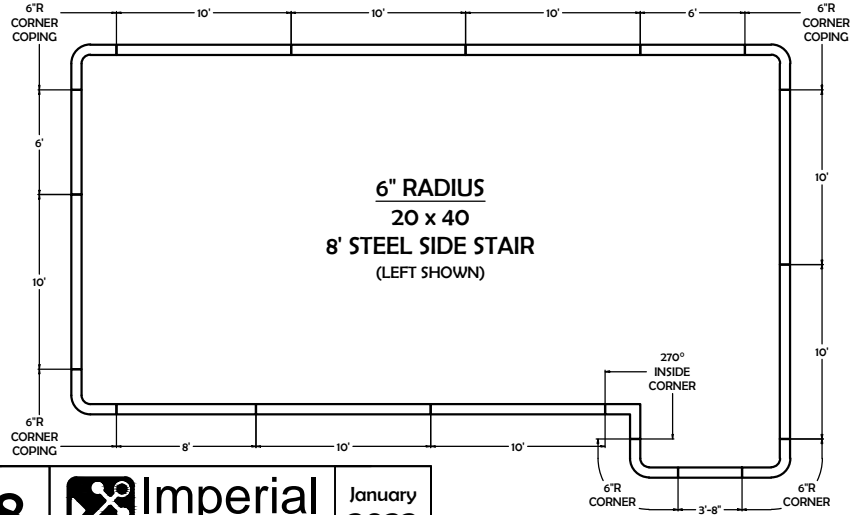
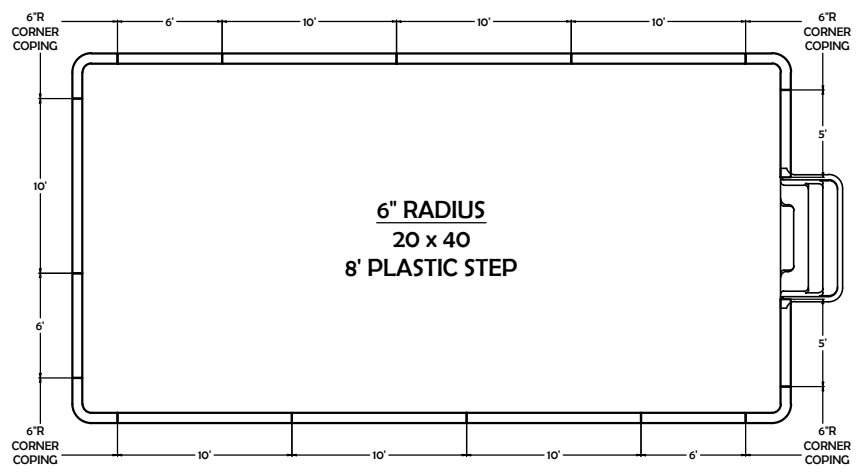
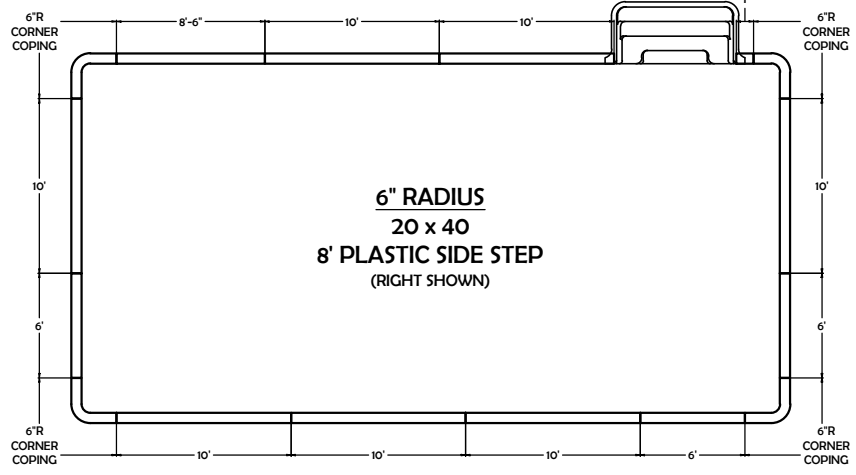
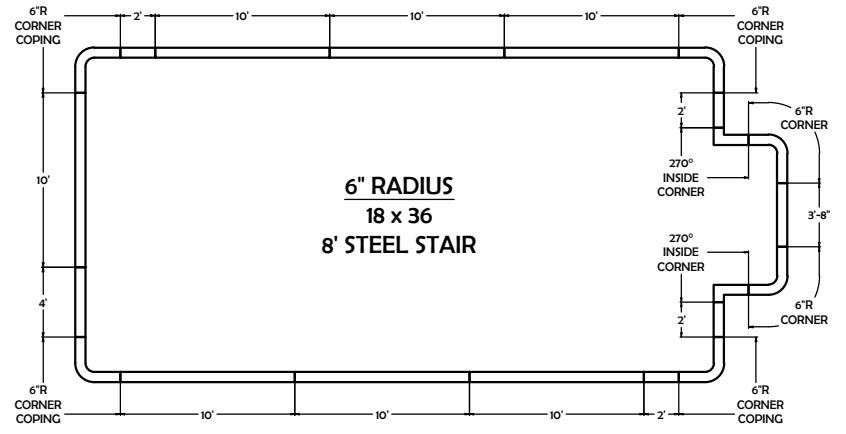
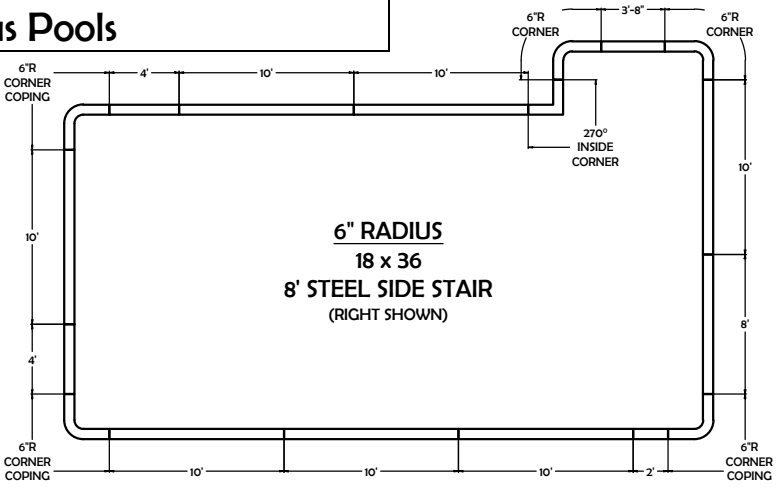
Coping Layouts - Progressive

6" Radius Pools



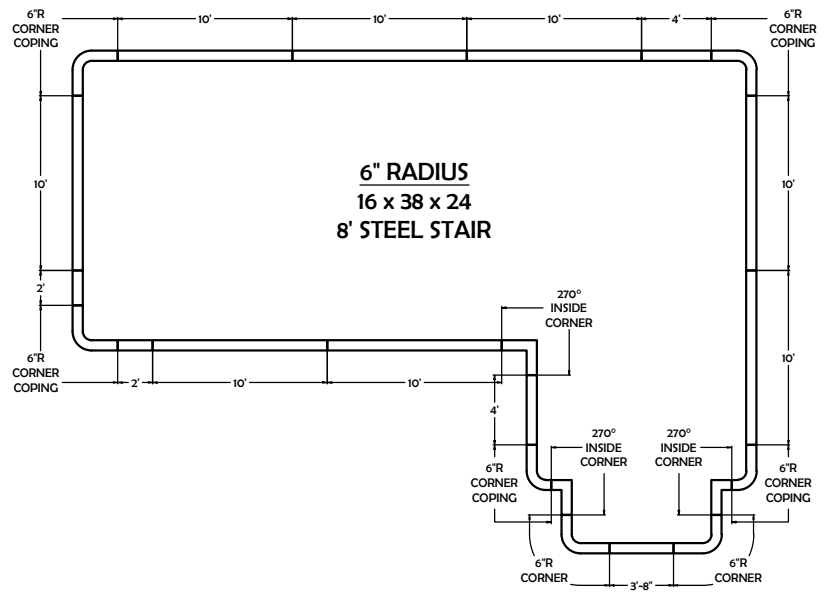
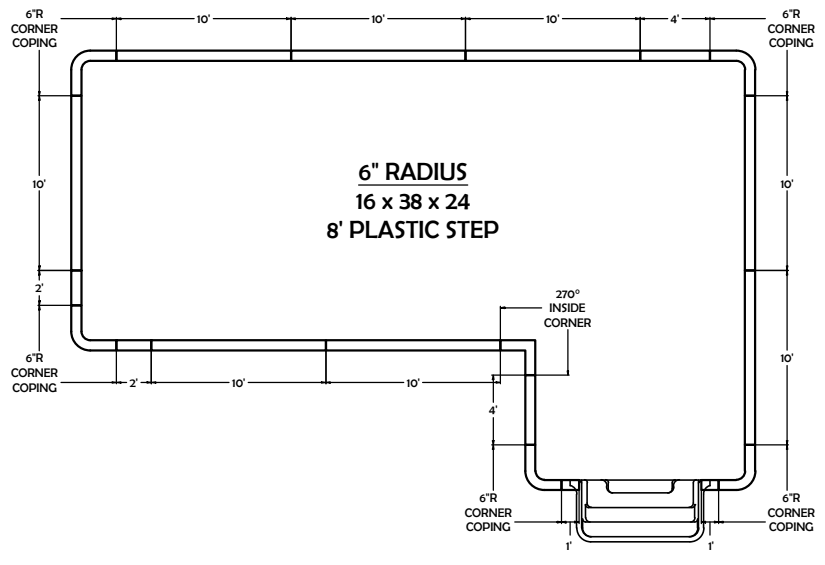
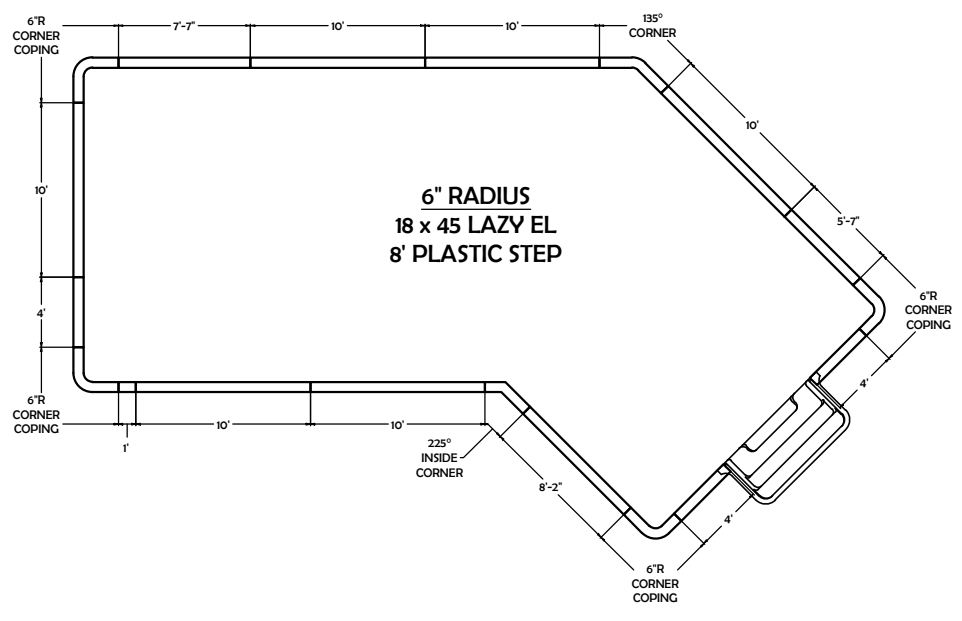
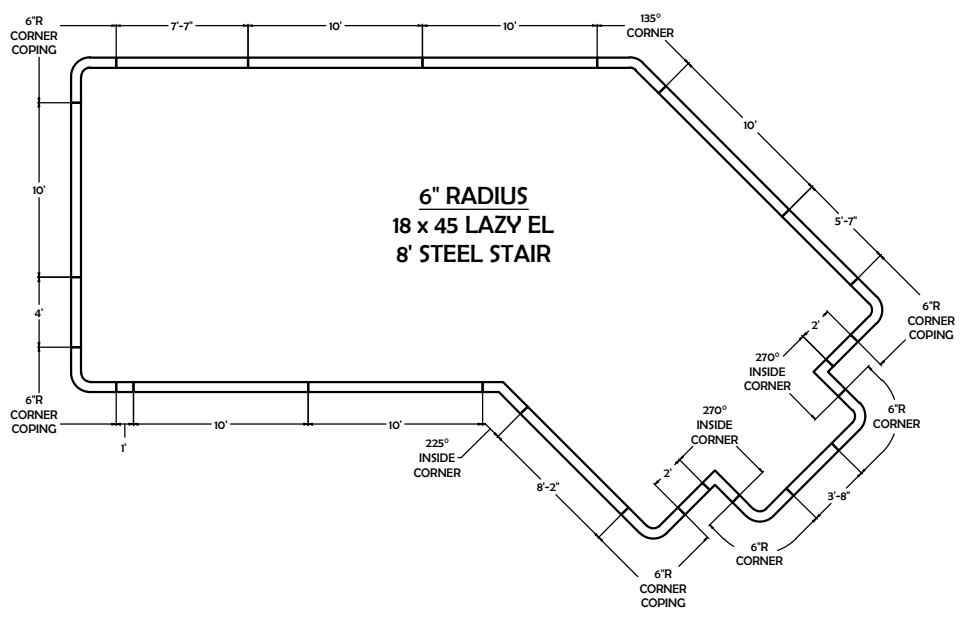
Coping Layouts - Progressive

6" Radius Pools



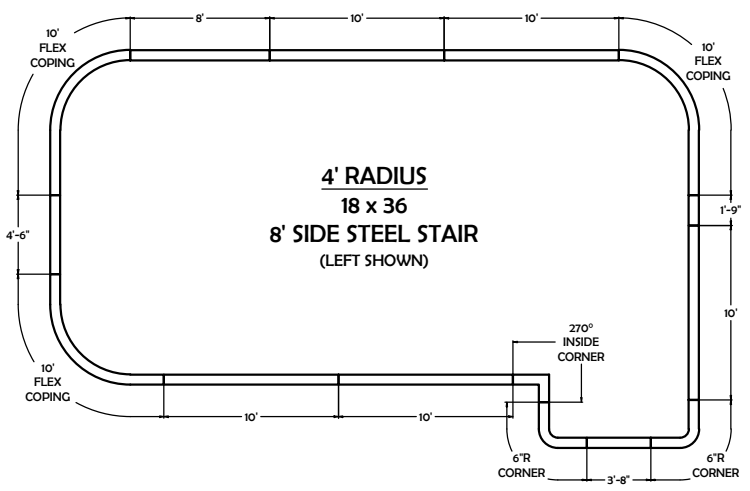
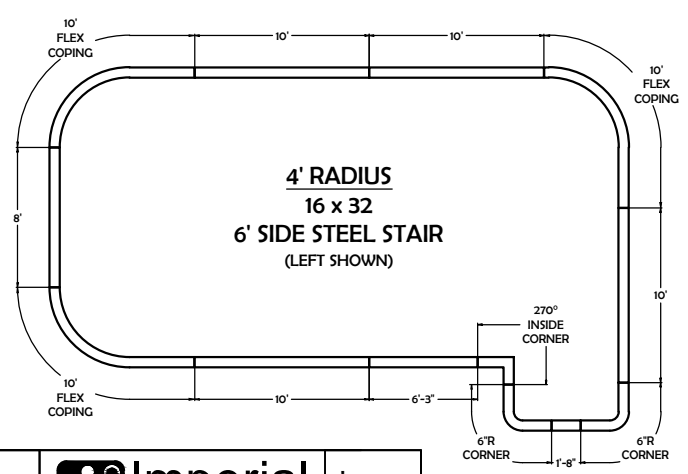
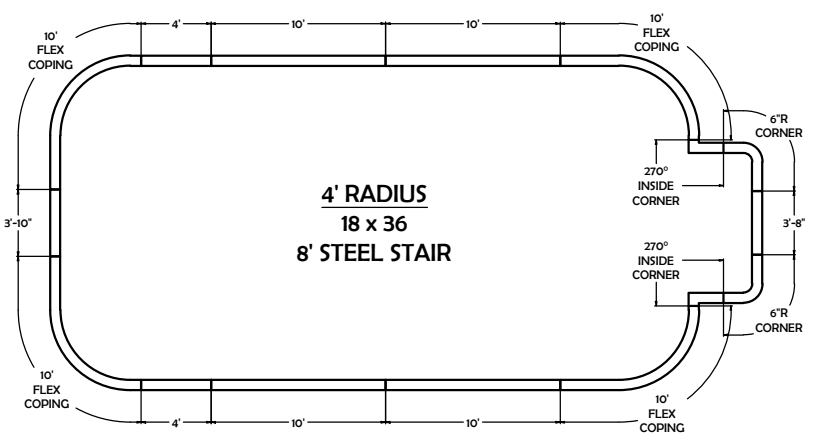
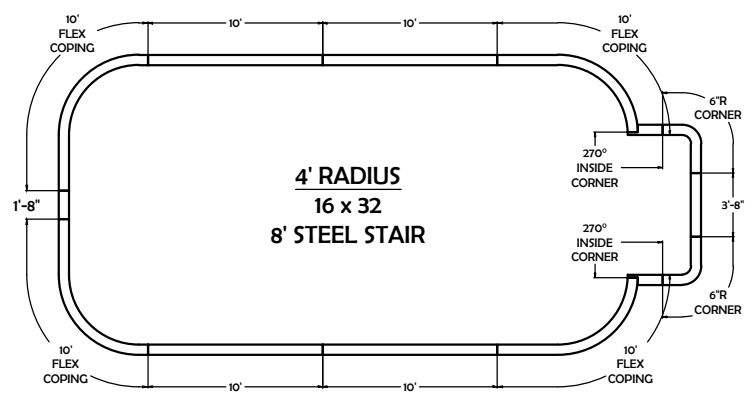
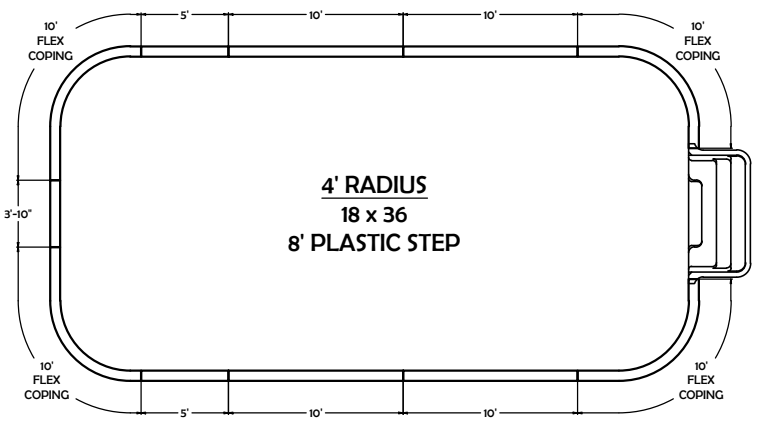
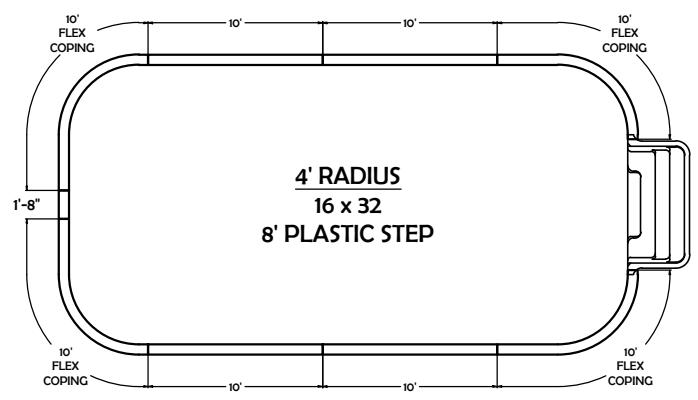
Coping Layouts - Progressive

6" Radius Pools



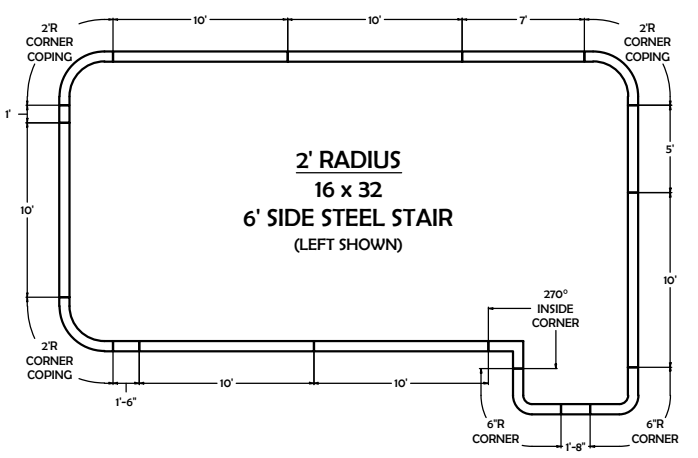
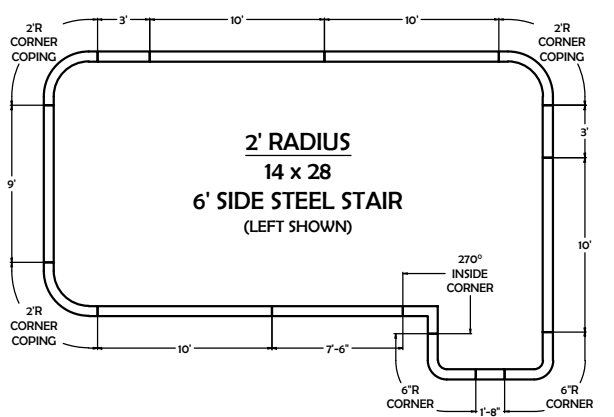
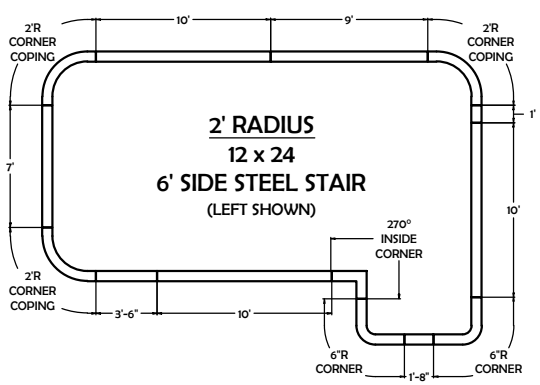
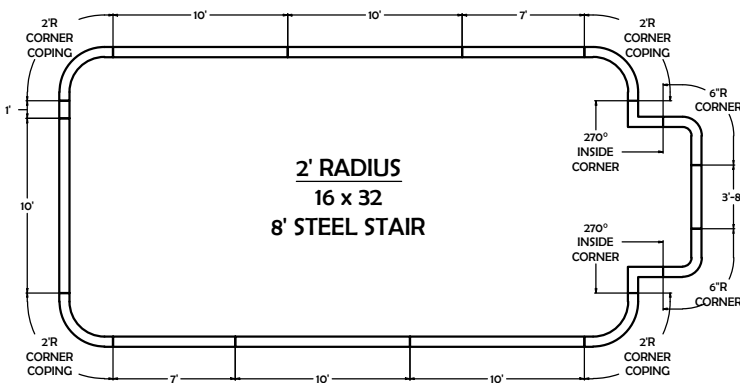
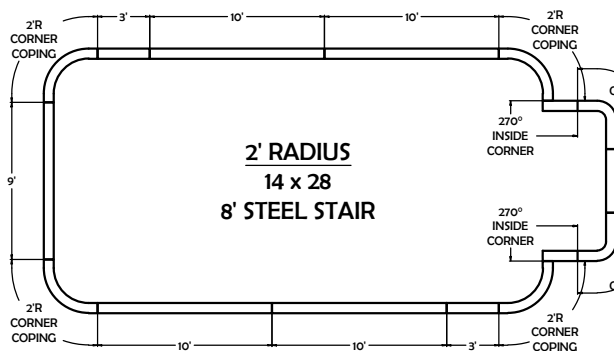
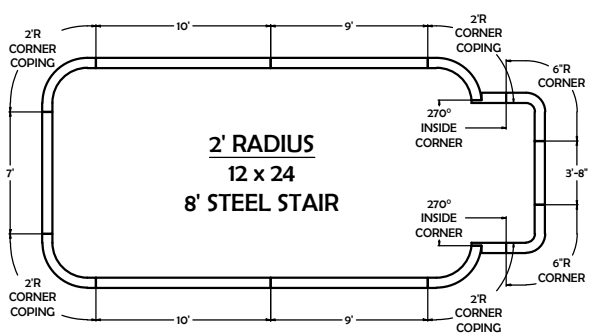
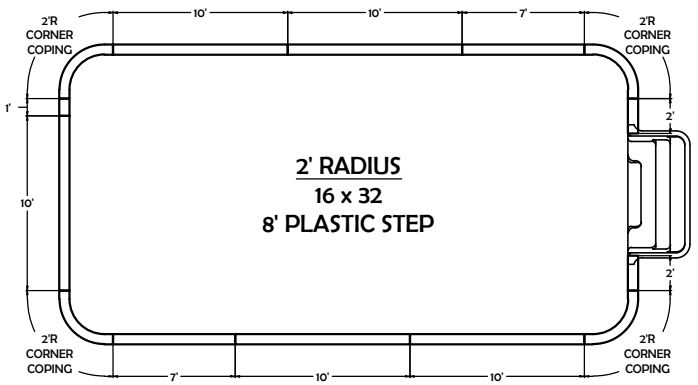
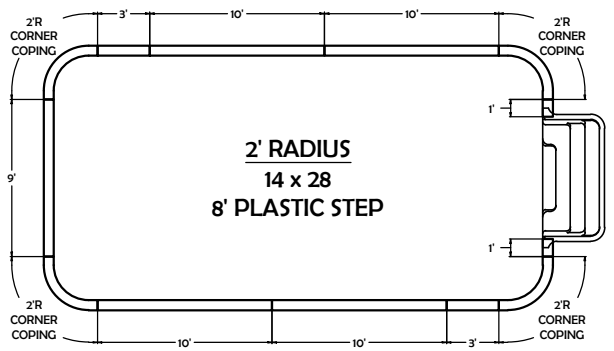
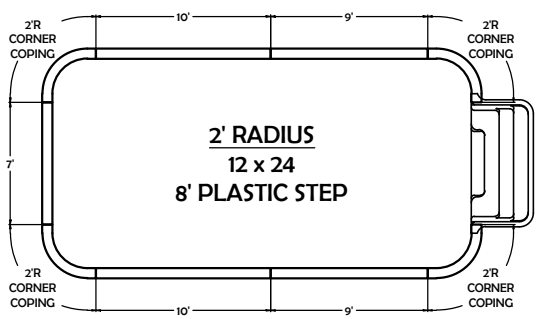
Coping Layouts - Progressive

4' Radius Pools



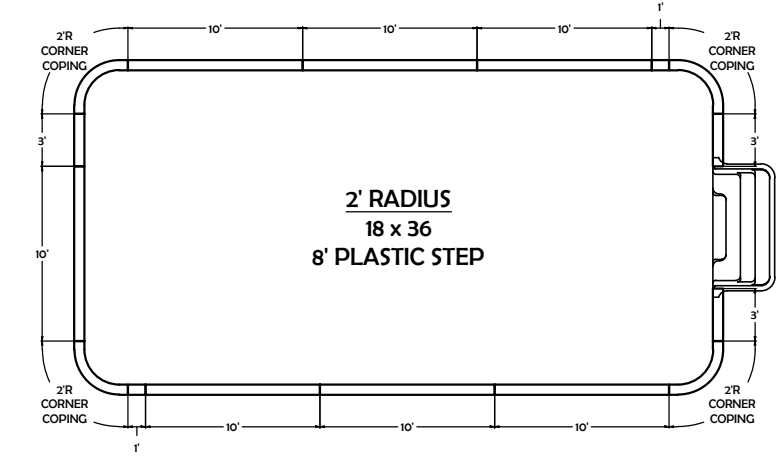
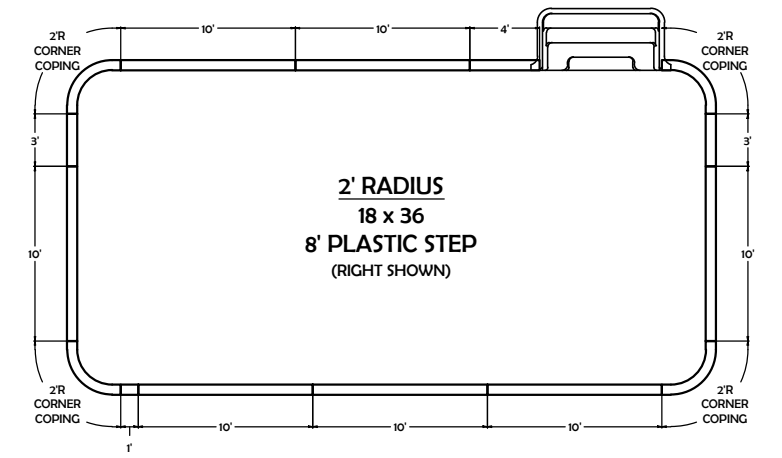
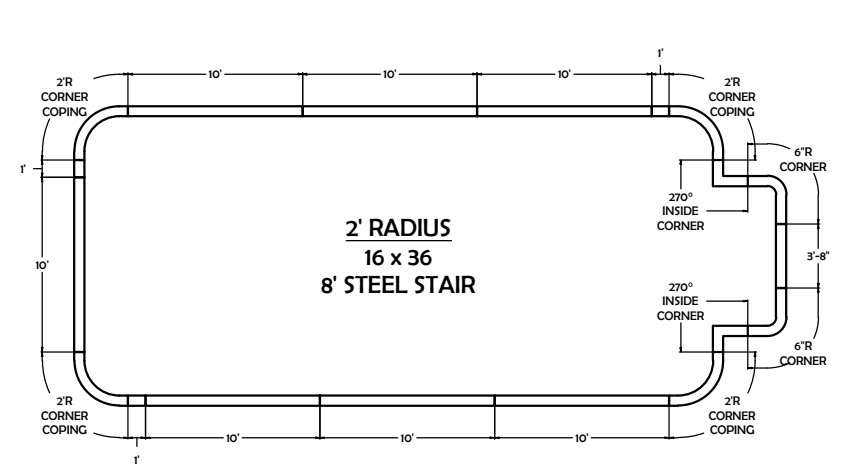
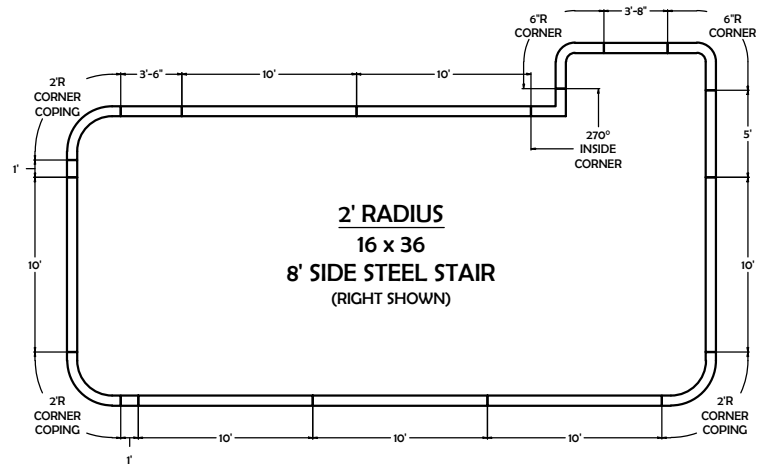
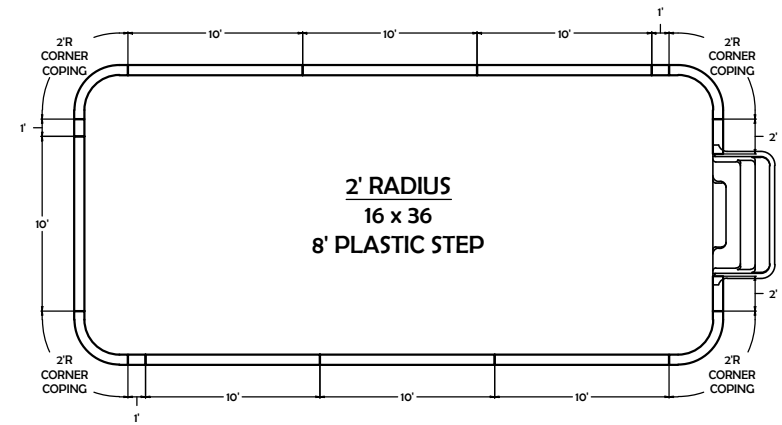
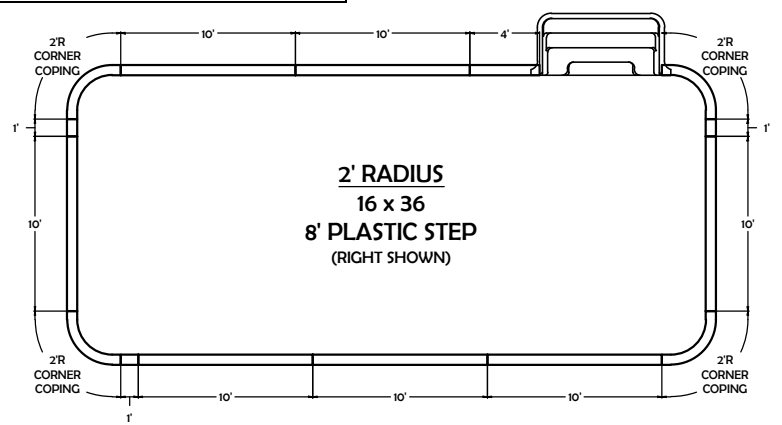
Coping Layouts - Progressive

2' Radius Pools



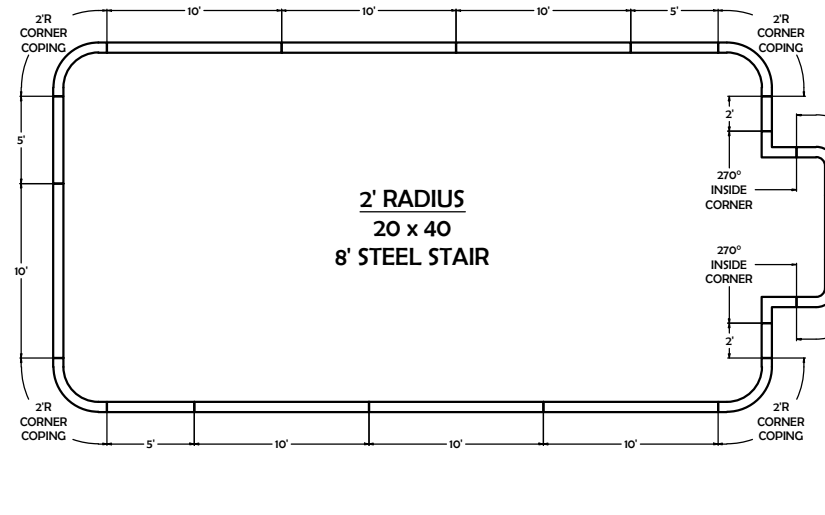
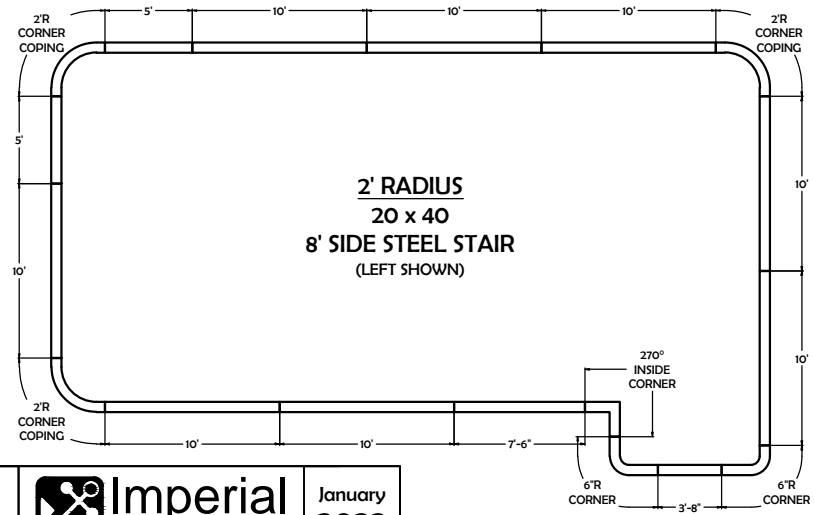
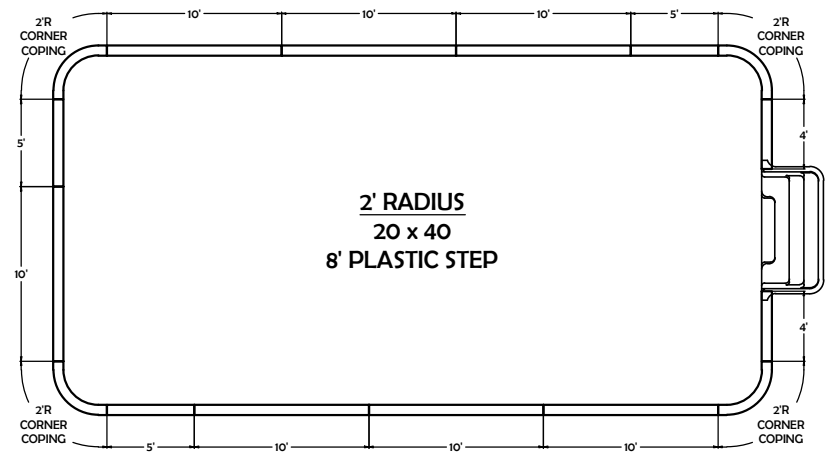
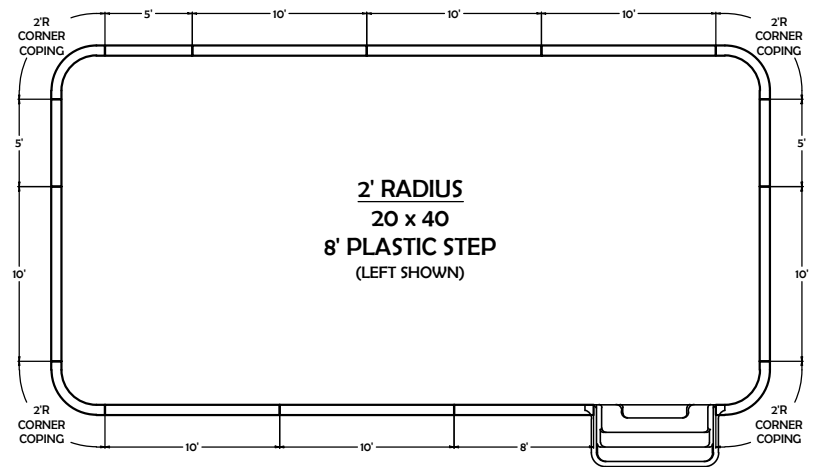
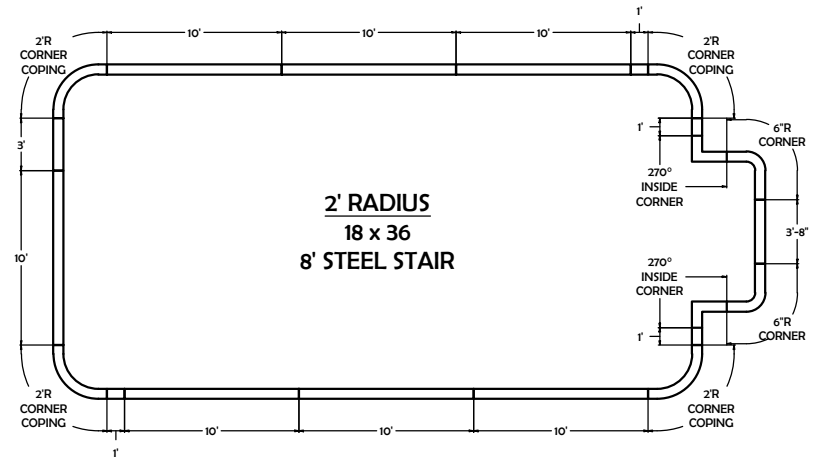
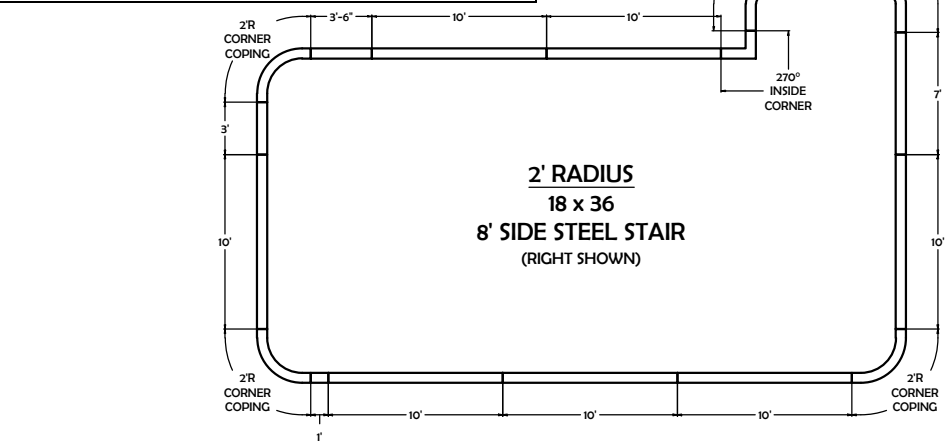
Coping Layouts - Progressive

2' Radius Pools



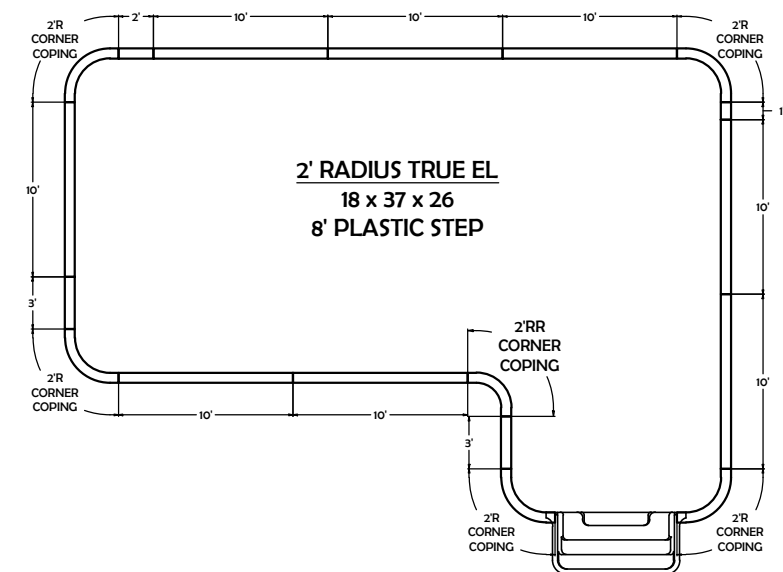
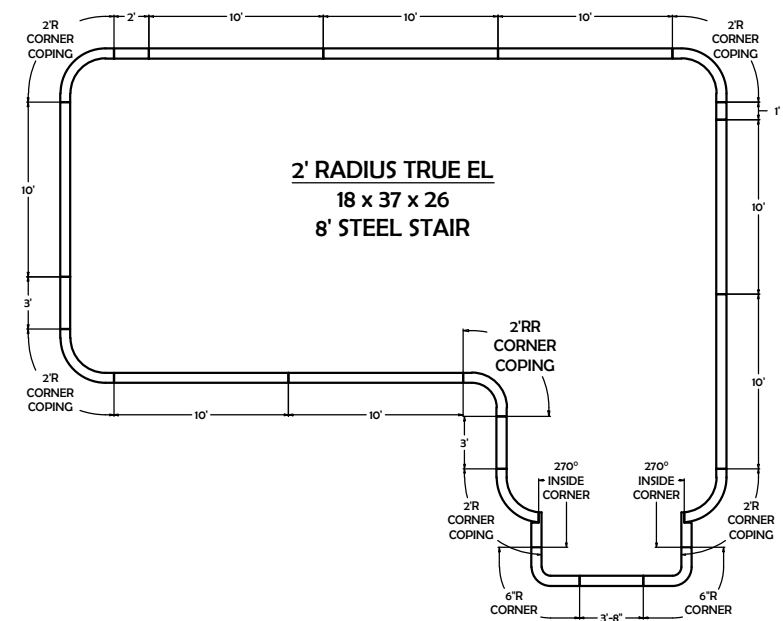
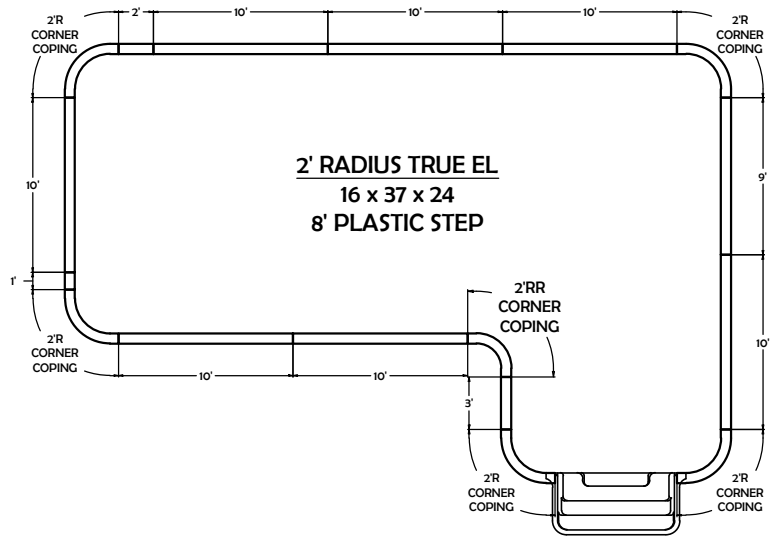
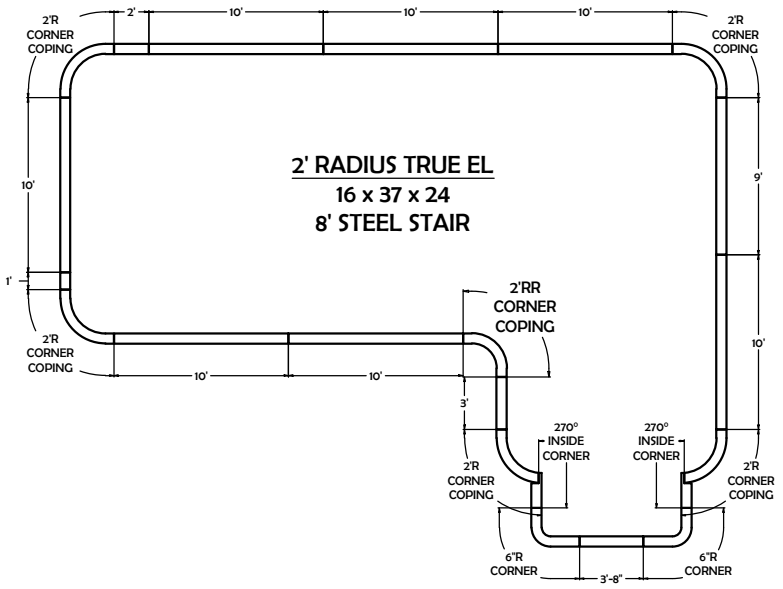
Coping Layouts - Progressive

2' Radius Pools



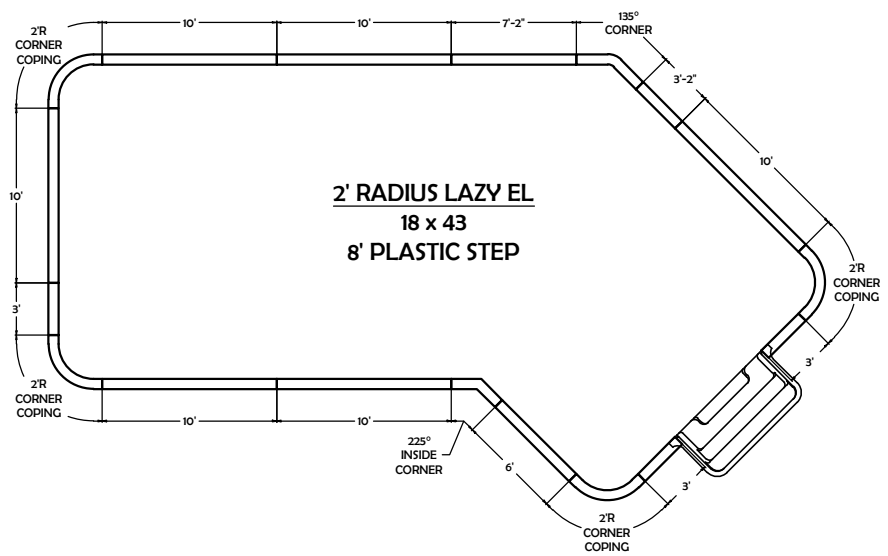
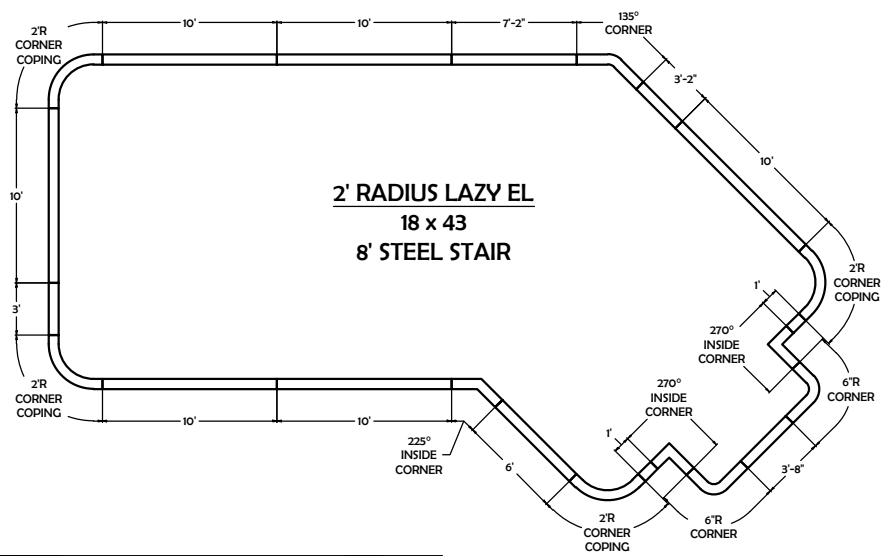
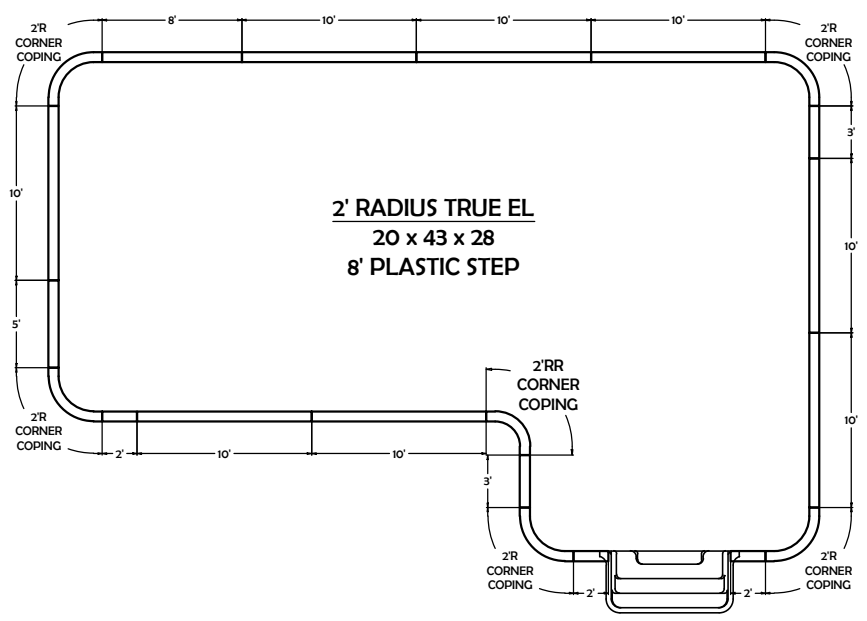
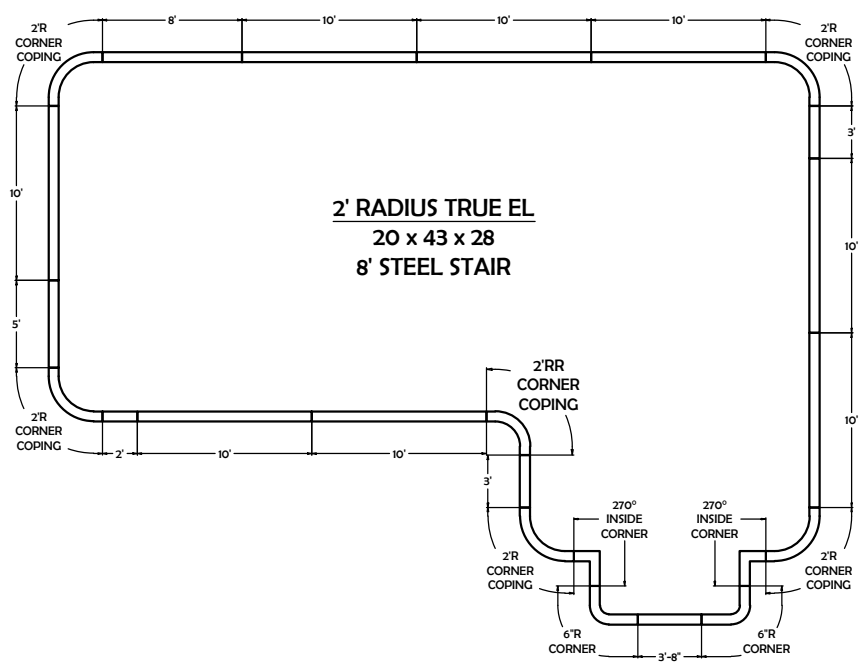
Coping Layouts - Progressive

2' Radius Pools

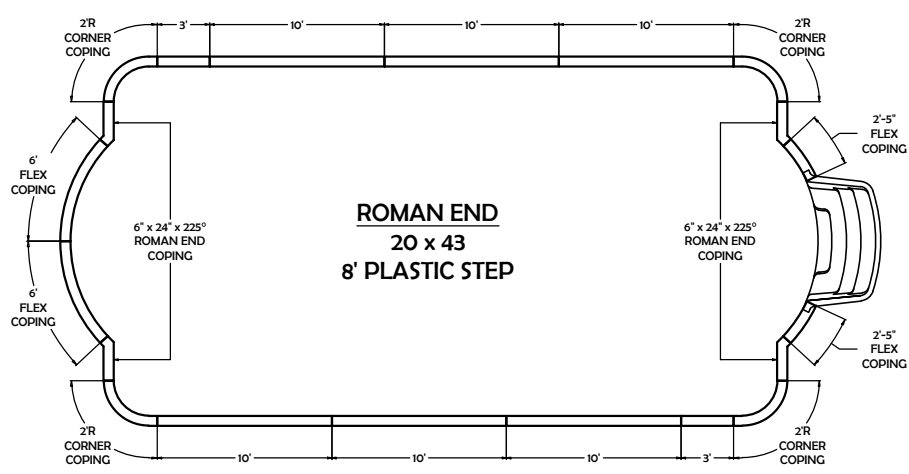
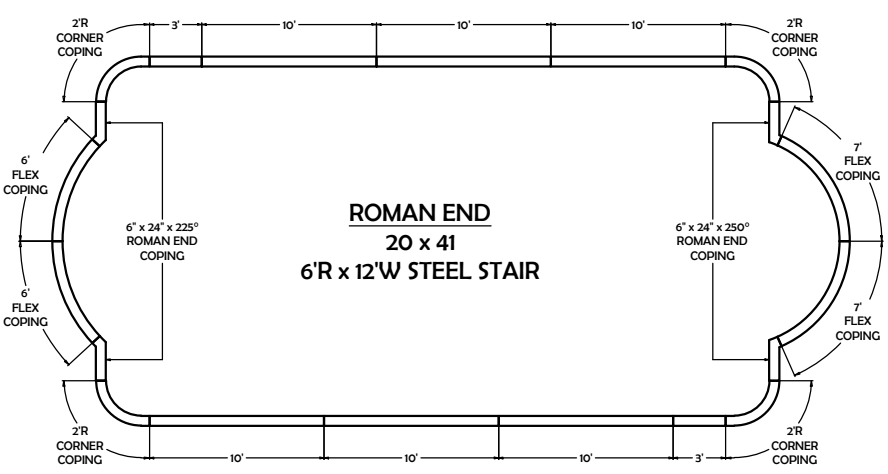
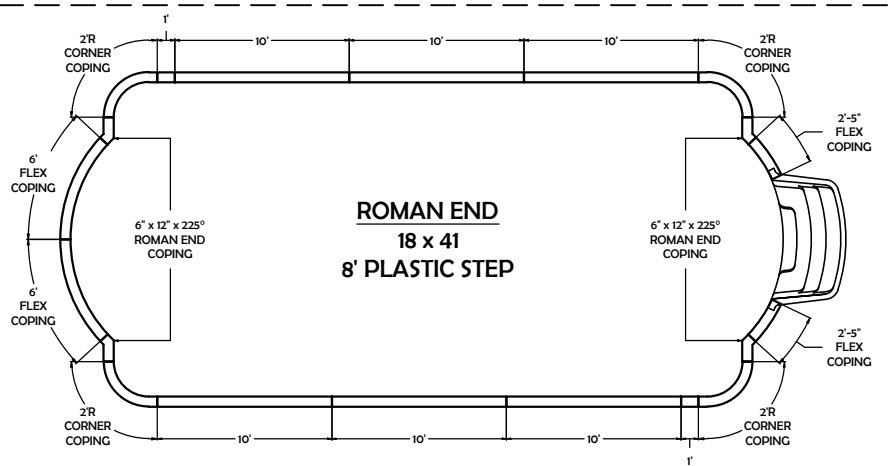
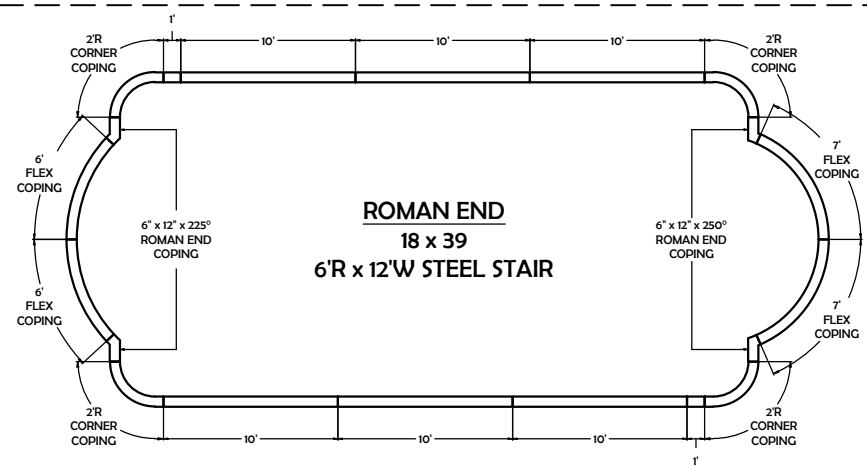
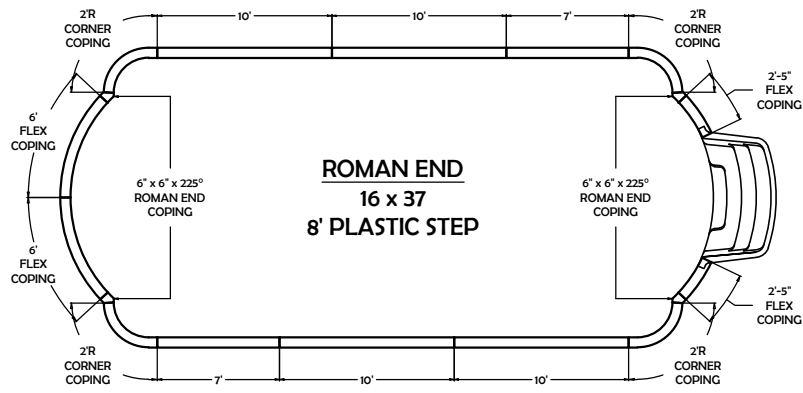
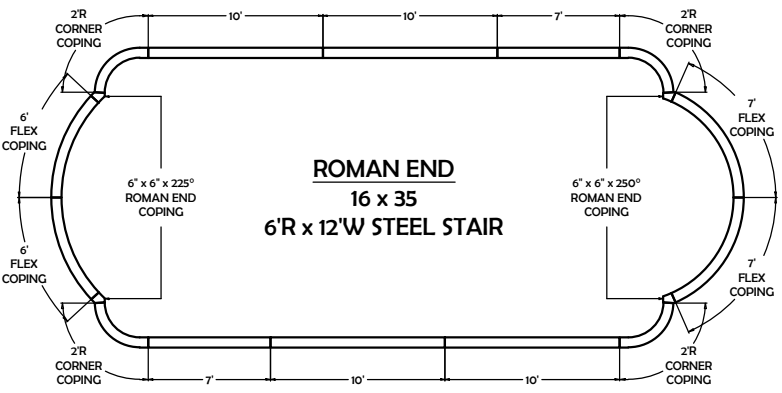


Coping Layouts - Progressive

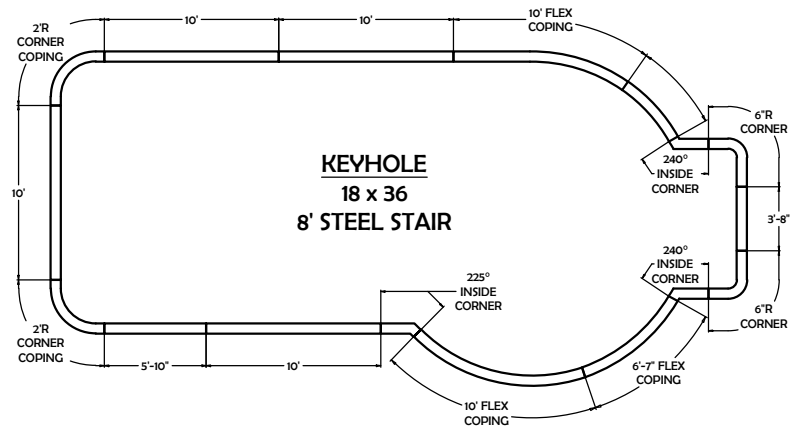
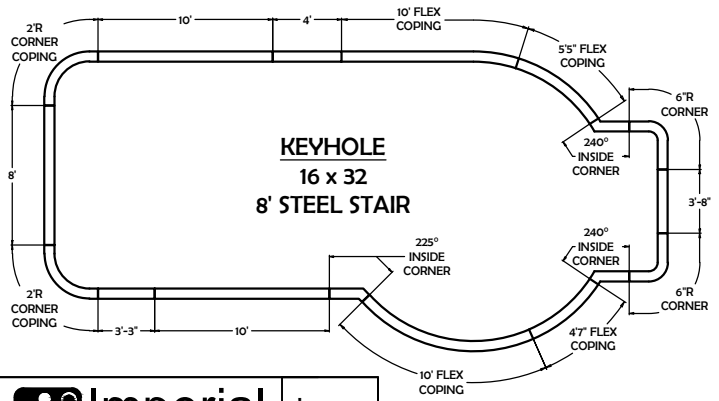
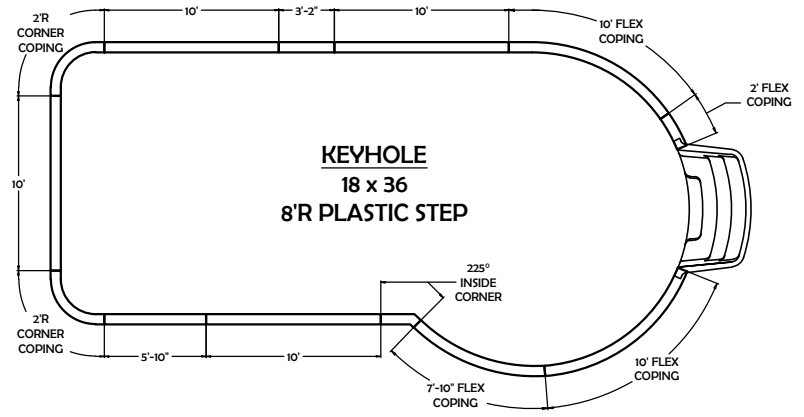
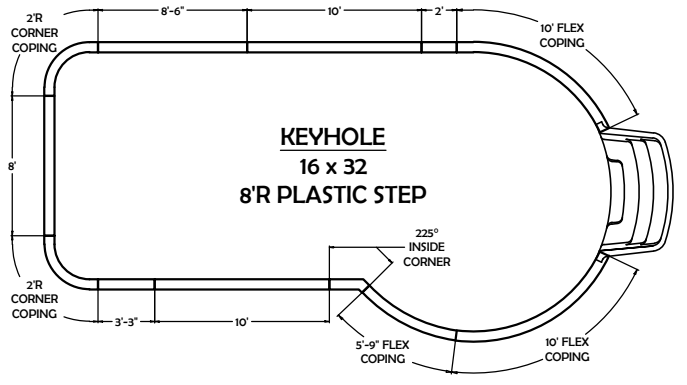
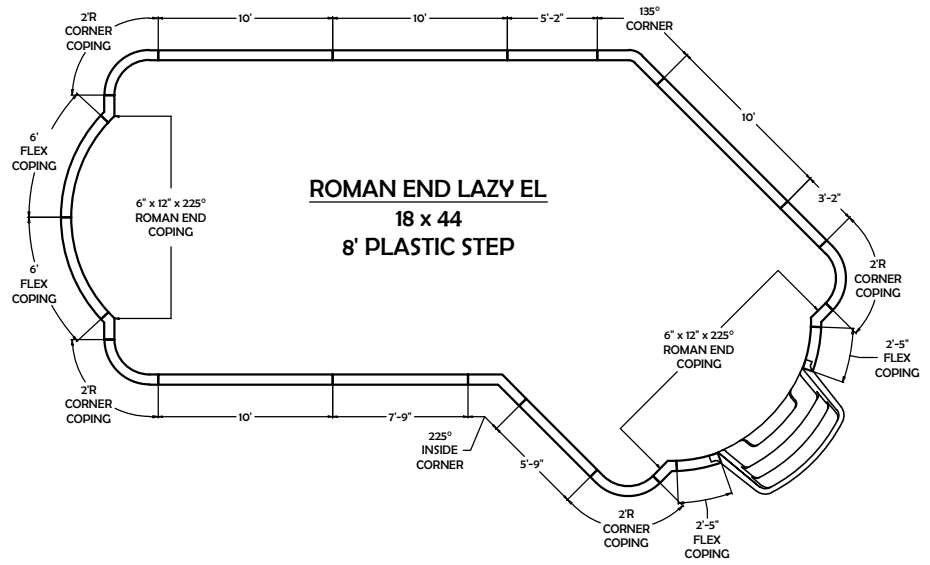
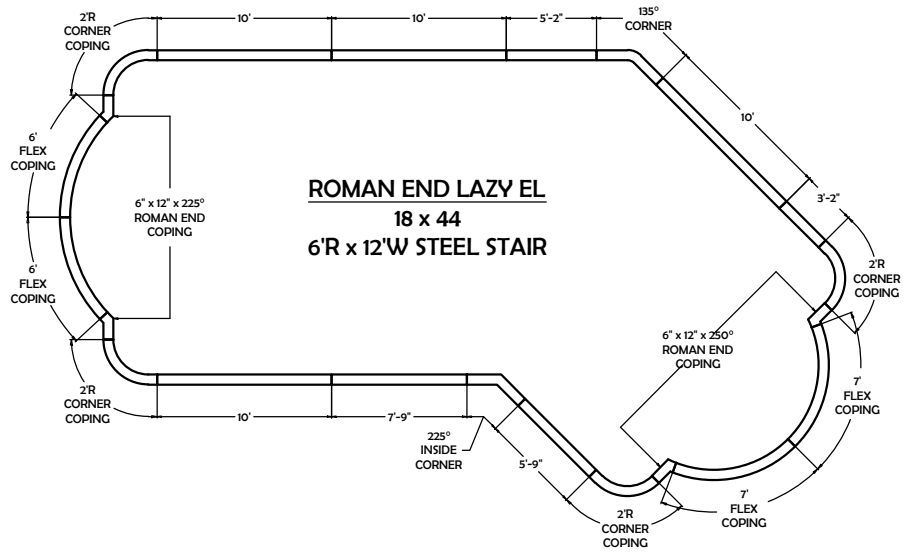
2' Radius Pools



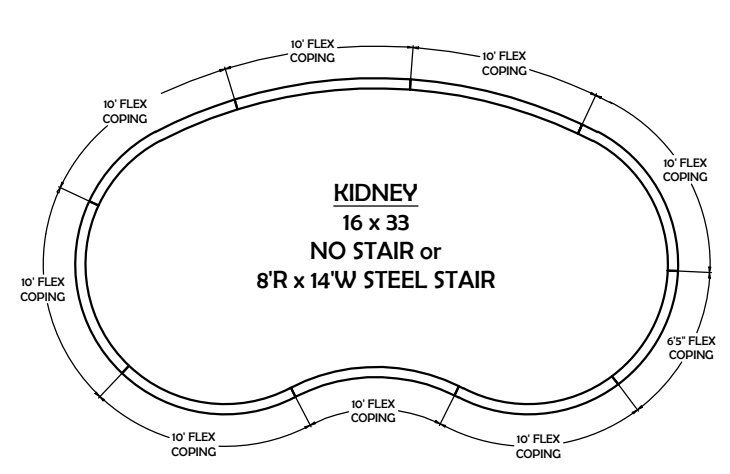
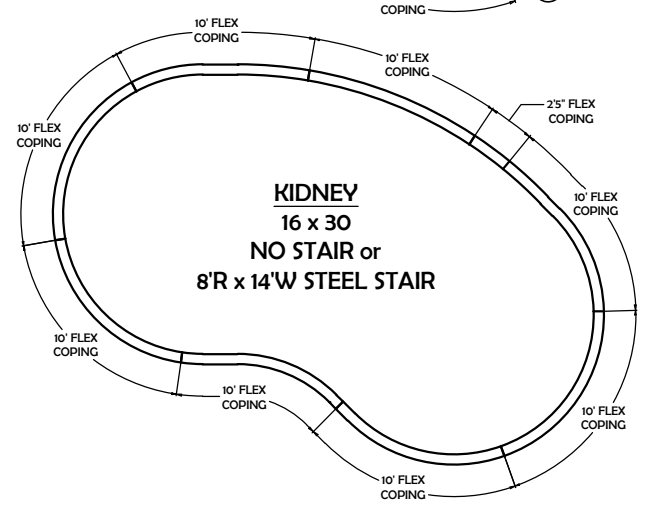
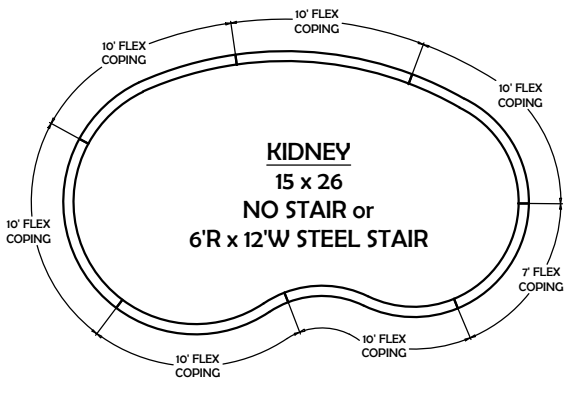
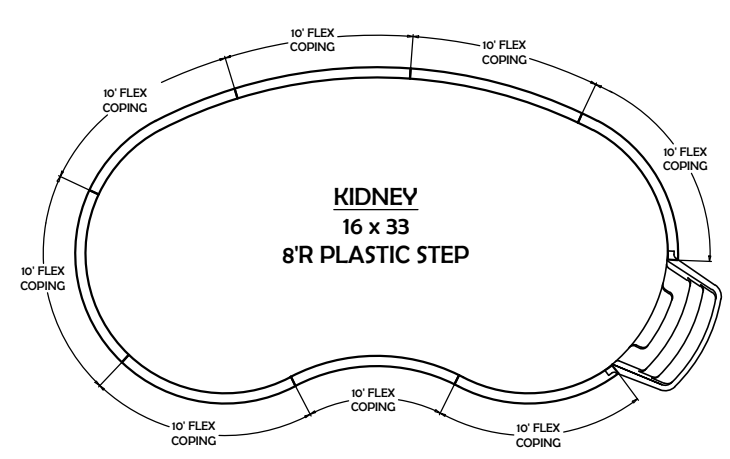
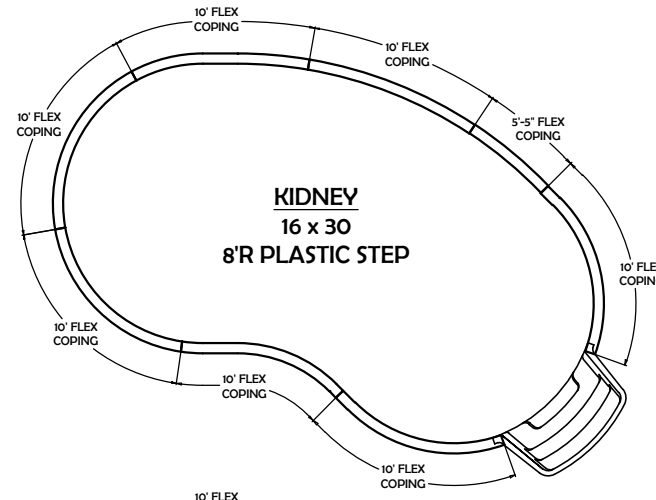
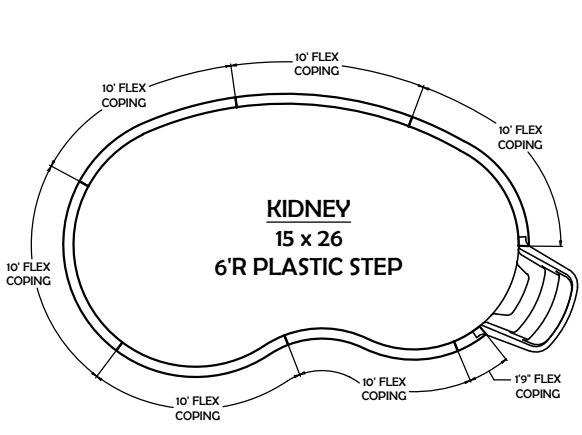
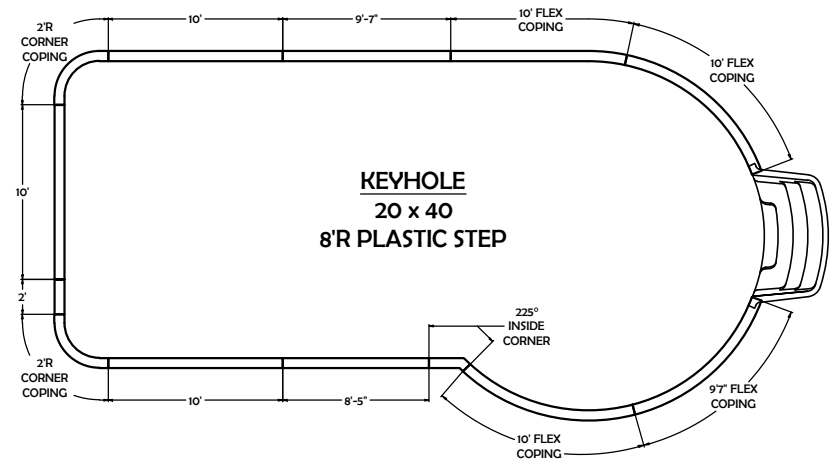
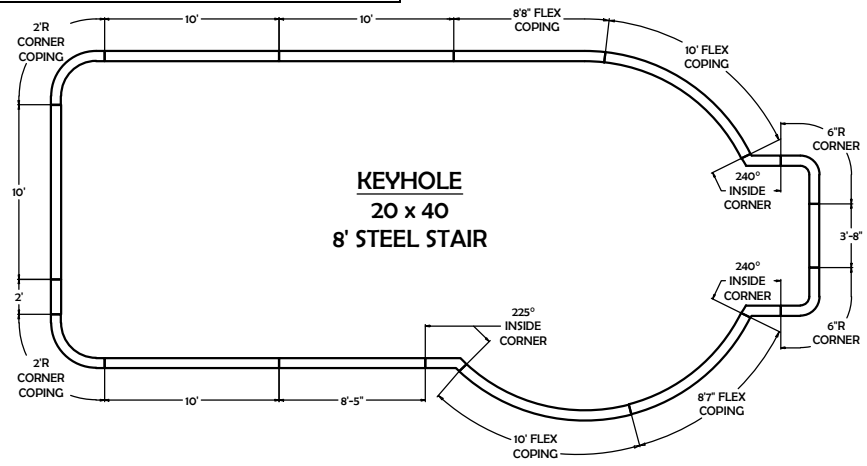
Coping Layouts - Progressive Roman End Pools



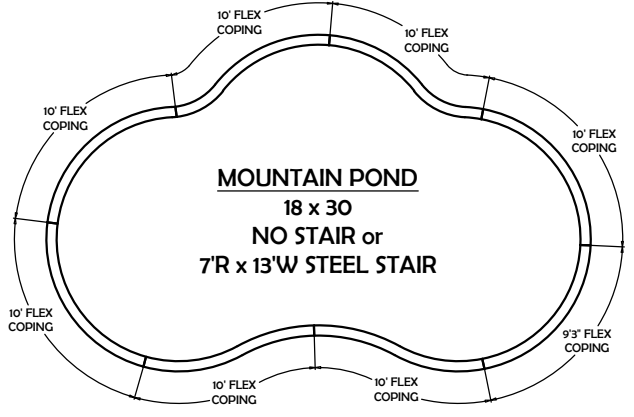
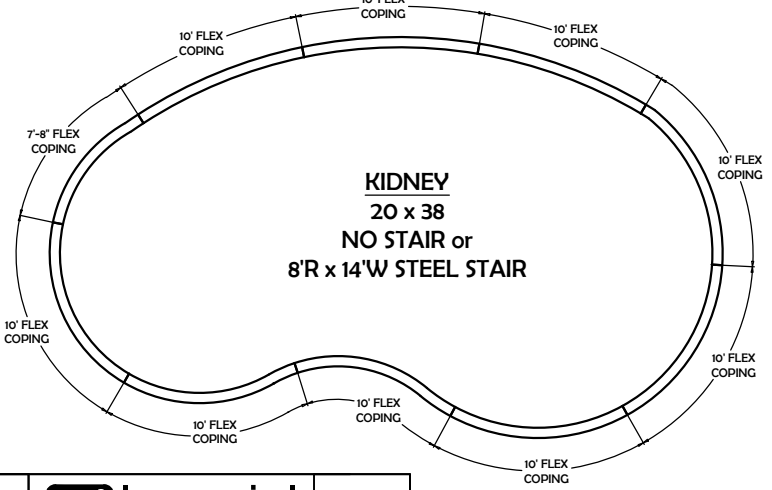
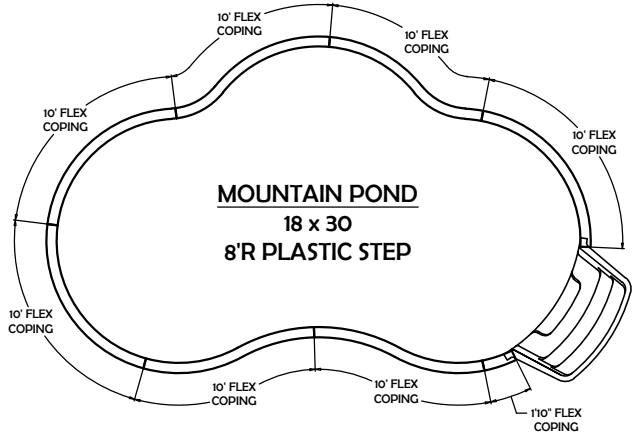
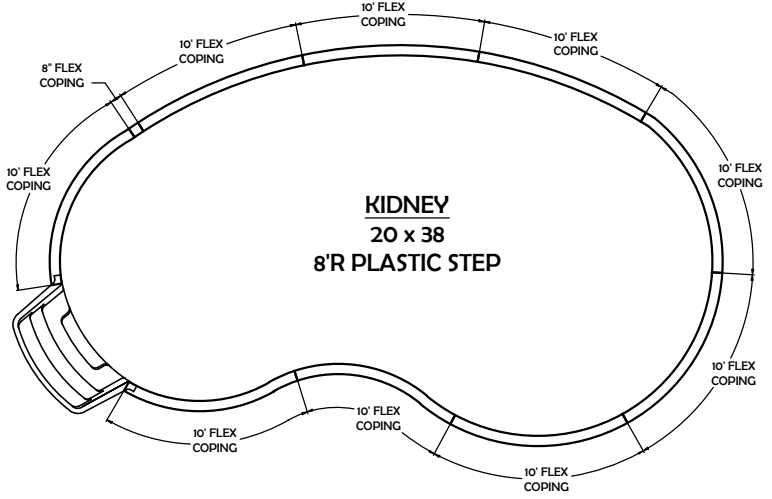
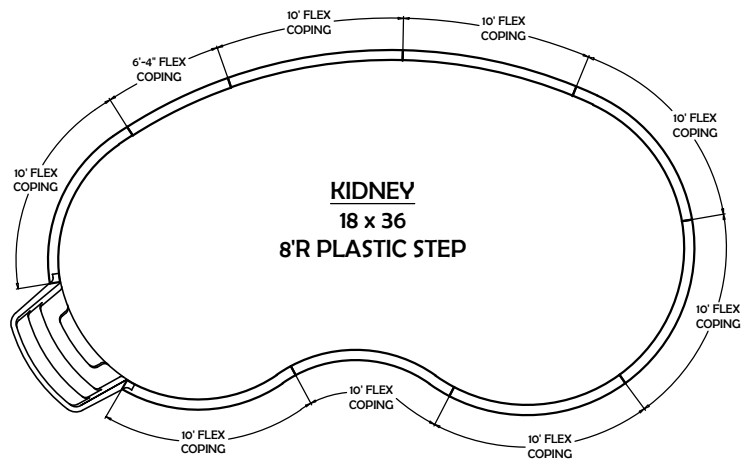
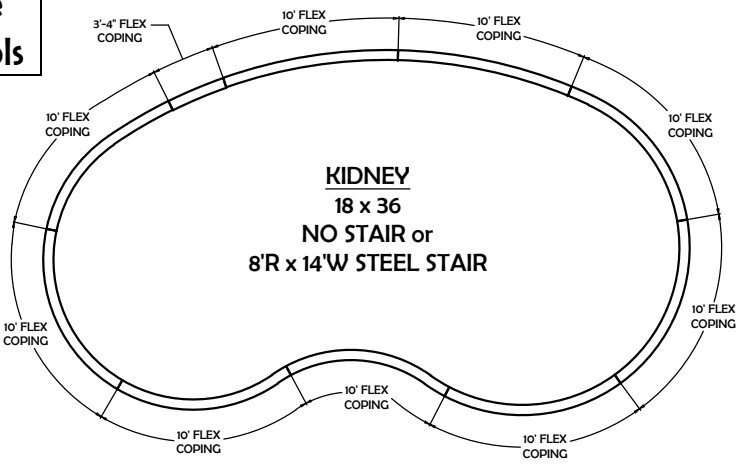
Coping Layouts - Progressive Roman End & Keyhole Pools



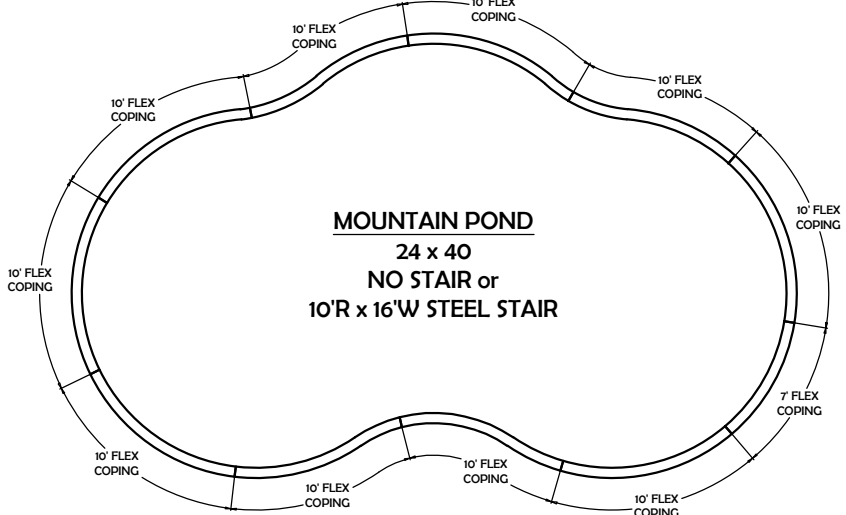
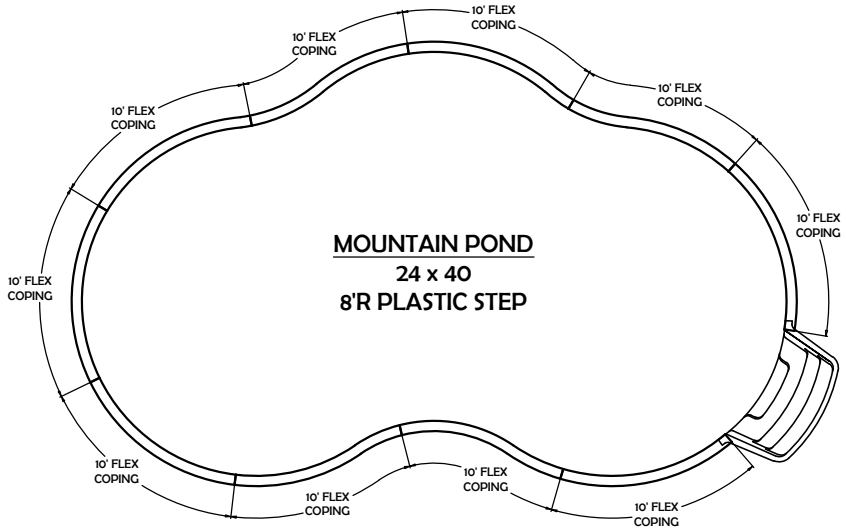
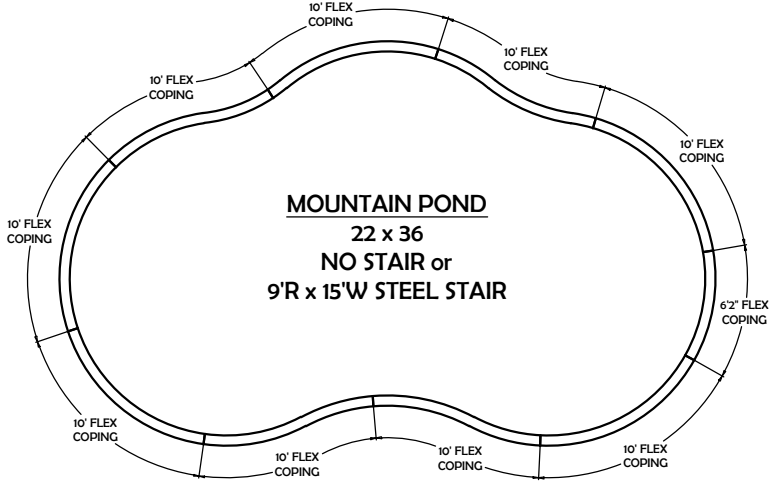
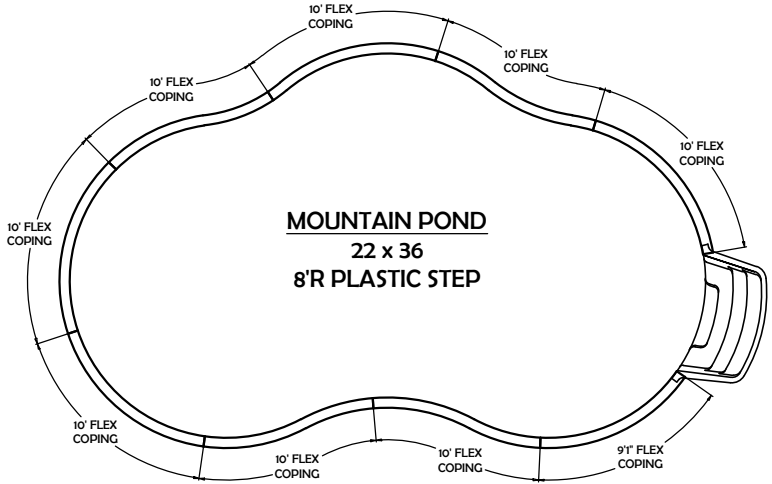
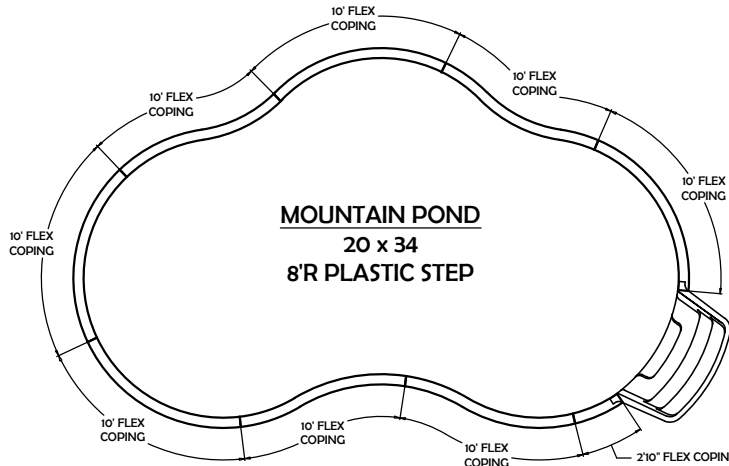
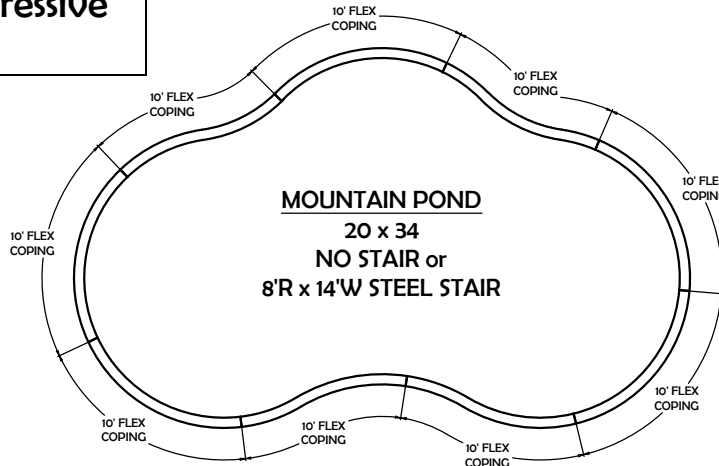
Coping Layouts - Progressive Keyhole Pools & Kidney Pools



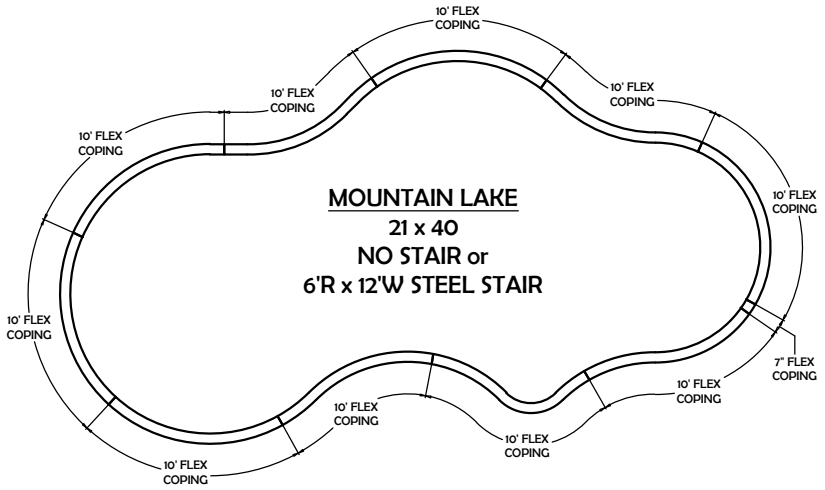
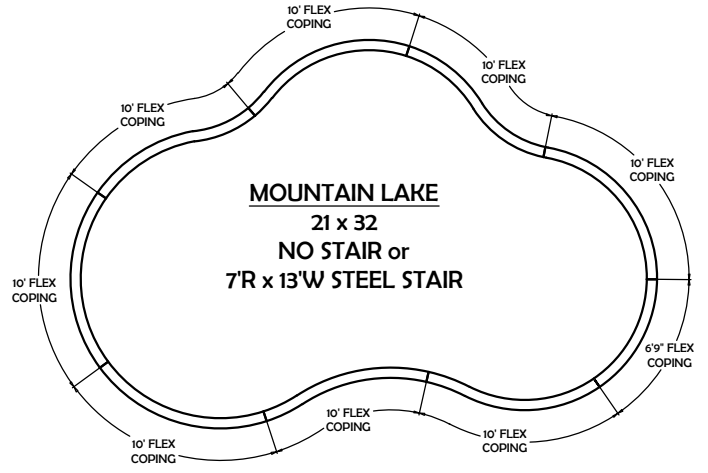
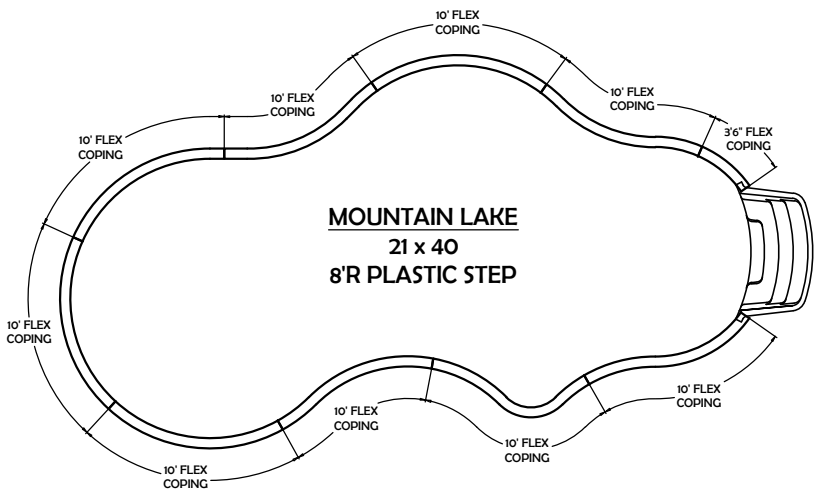
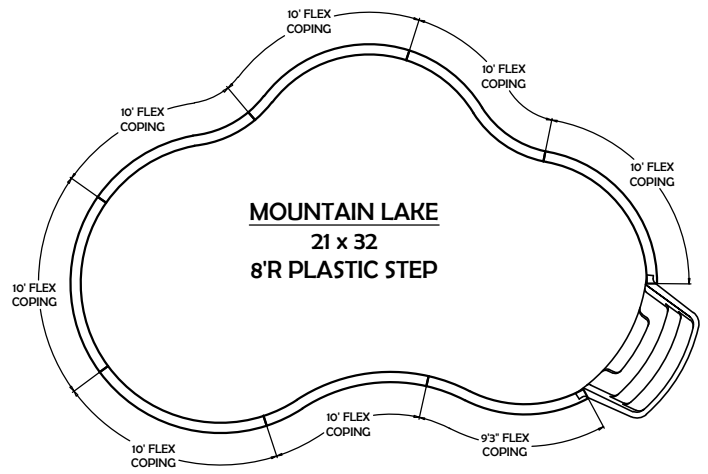
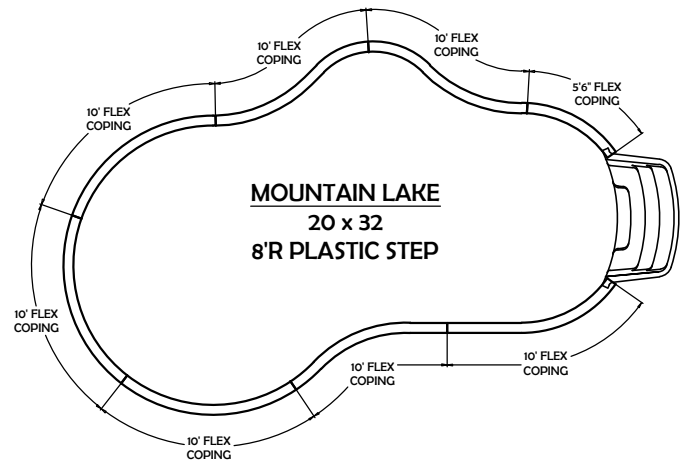
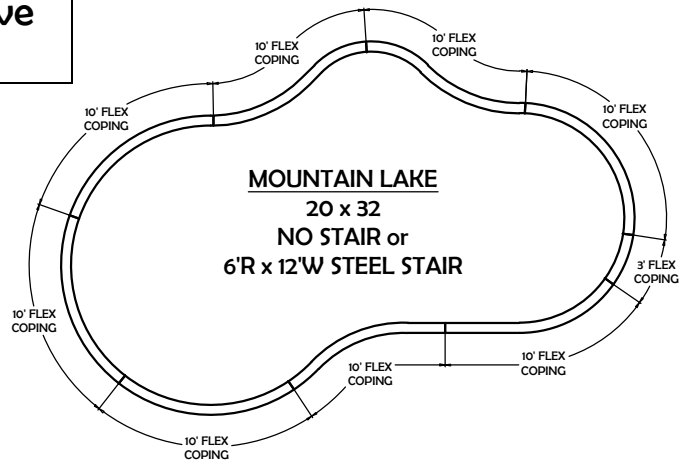
Coping Layouts - Progressive Kidney & Mountain Pond Pools



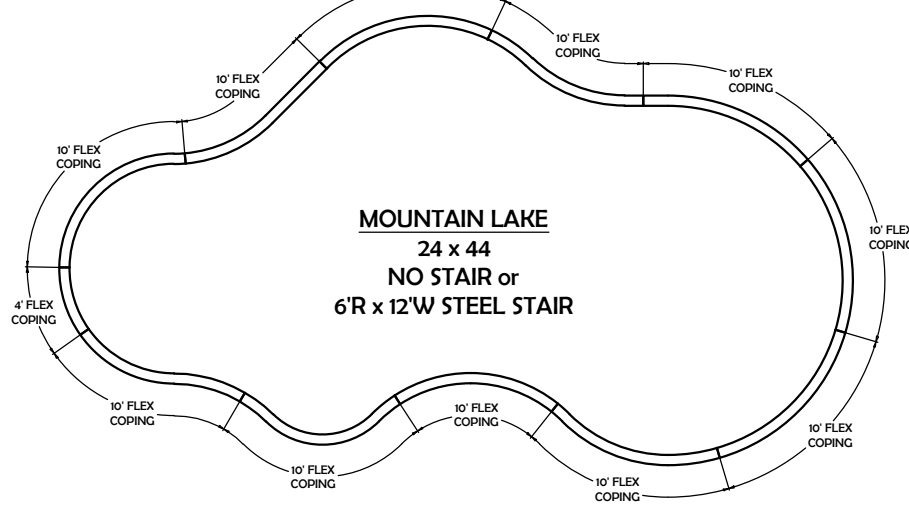
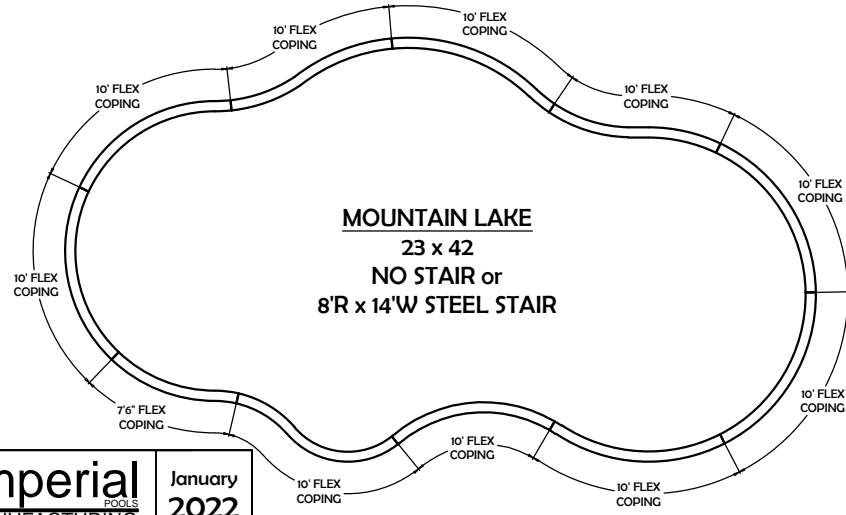
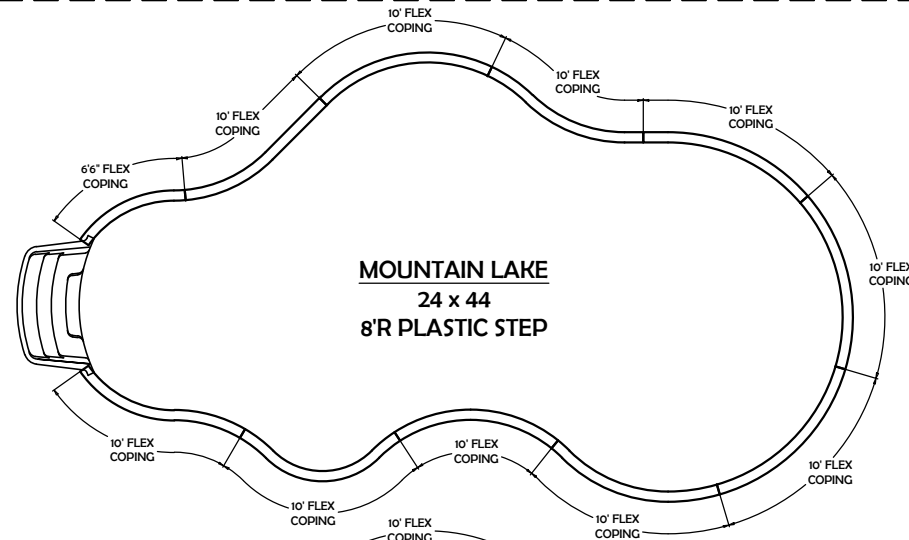
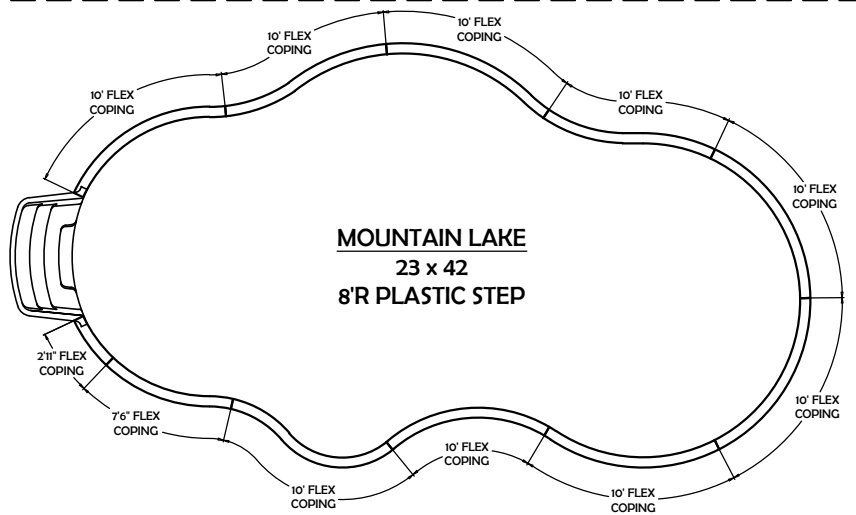
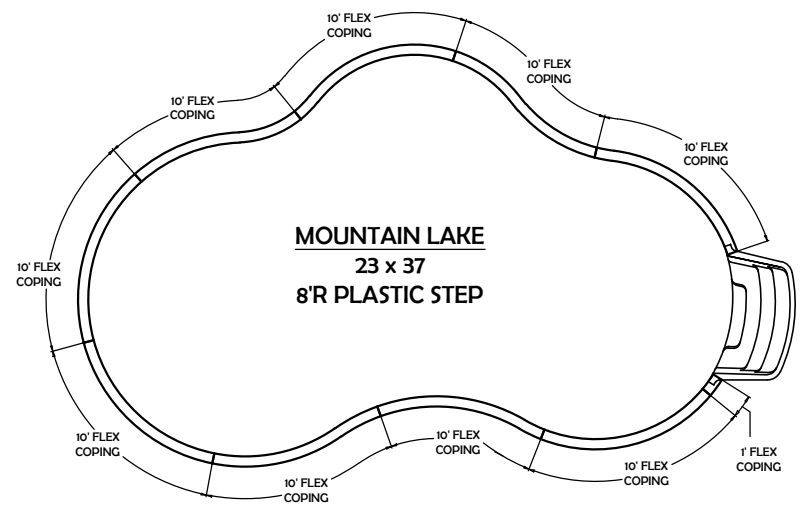
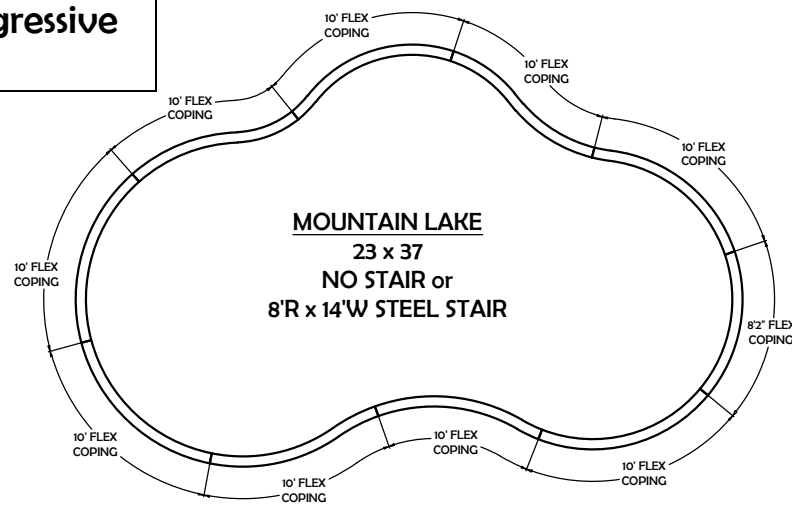
Coping Layouts - Progressive Mountain Pond Pools



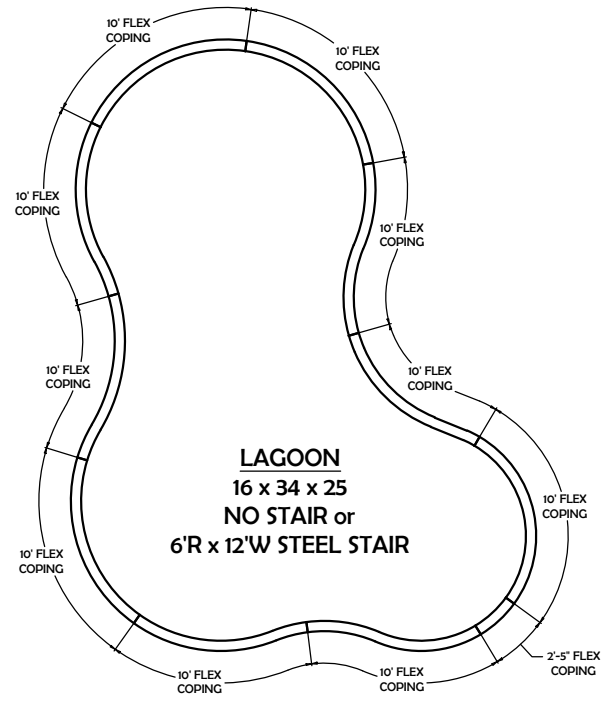
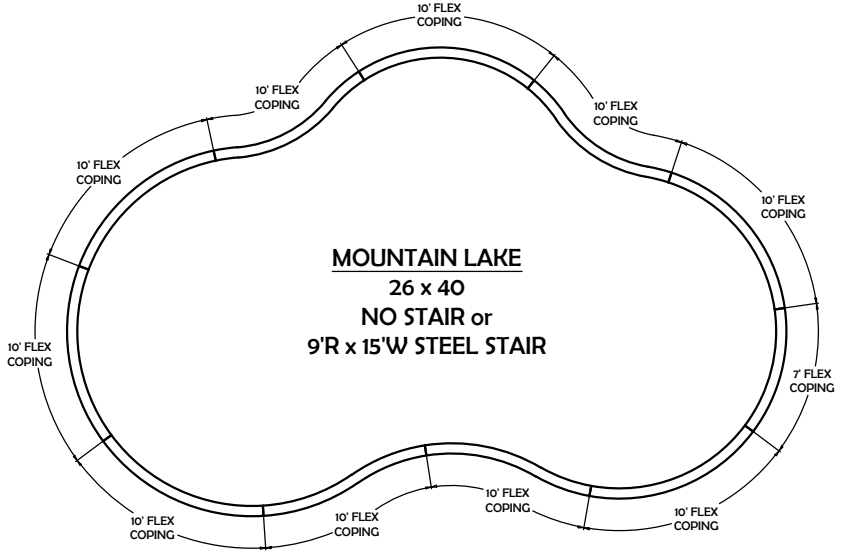
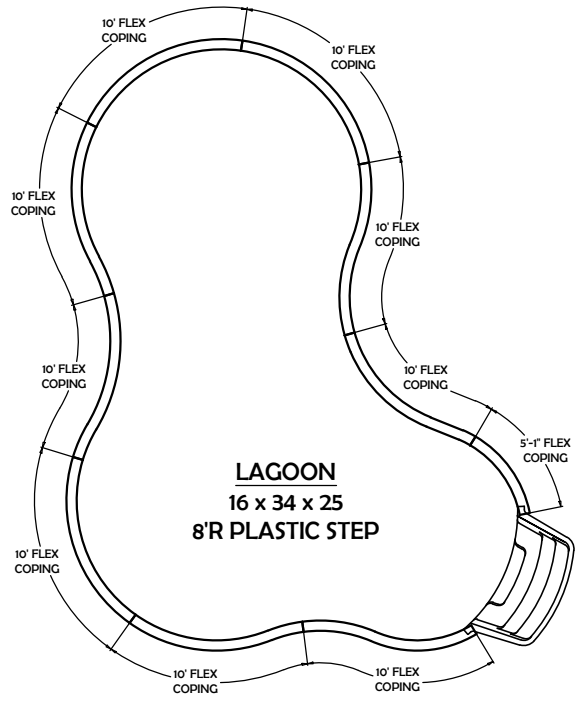
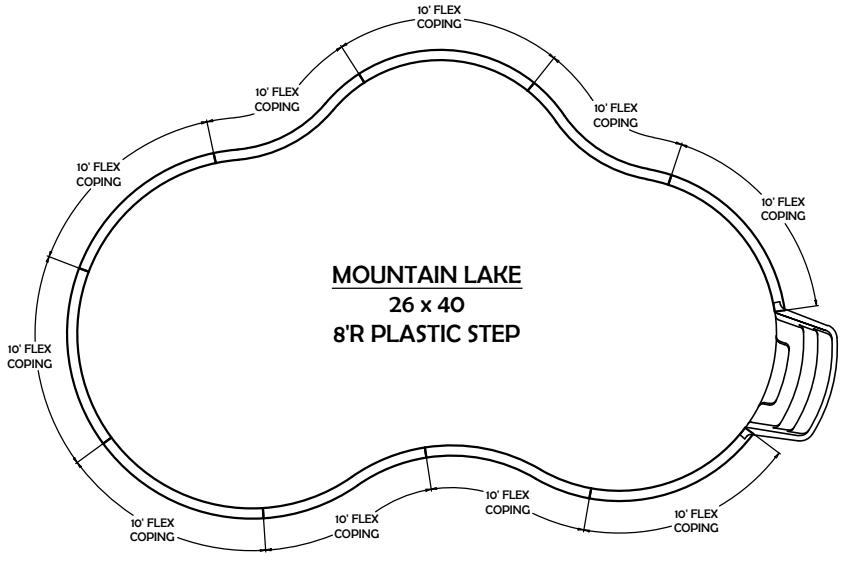
Coping Layouts - Progressive Mountain Lake Pools



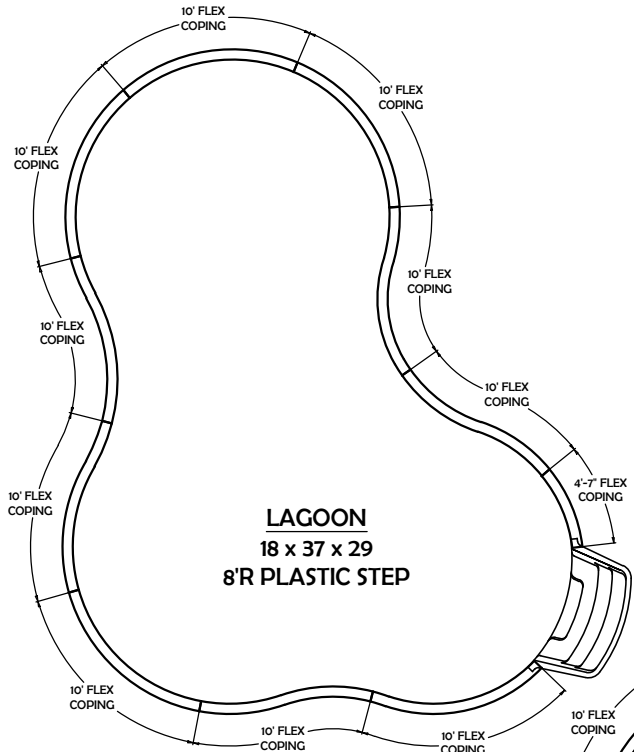
Coping Layouts - Progressive Mountain Lake Pools



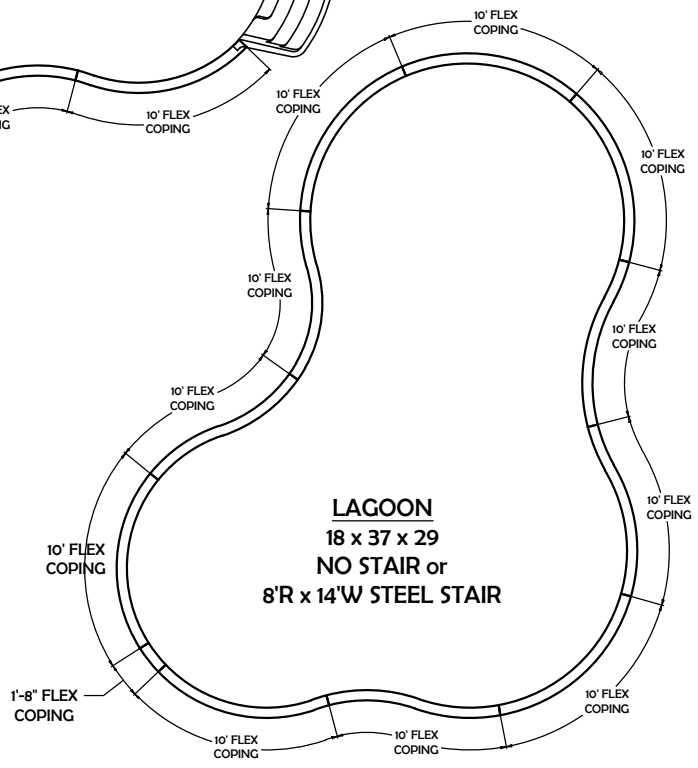
Coping Layouts - Progressive Mountain Lake & Lagoon Pools



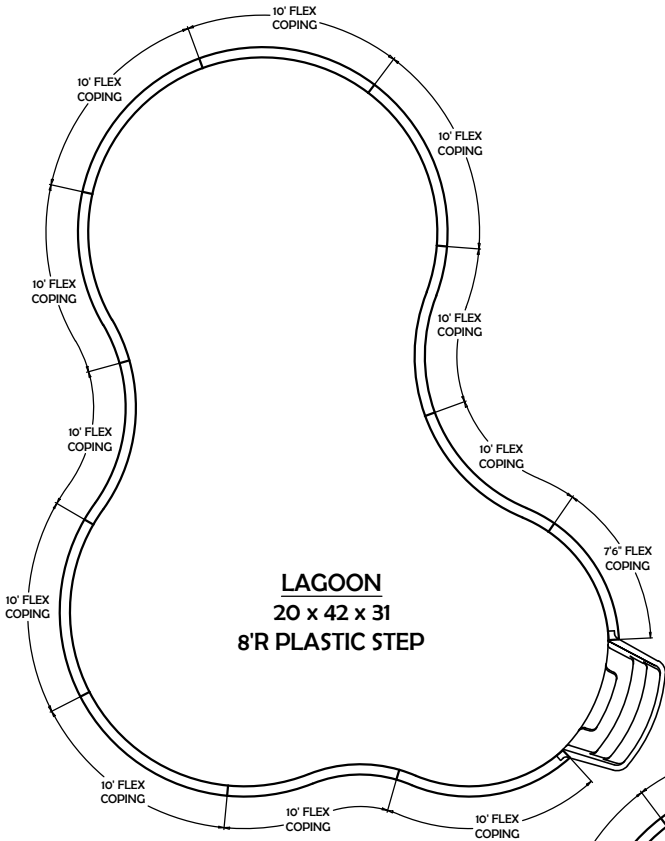
Coping Layouts - Progressive Lagoon Pools



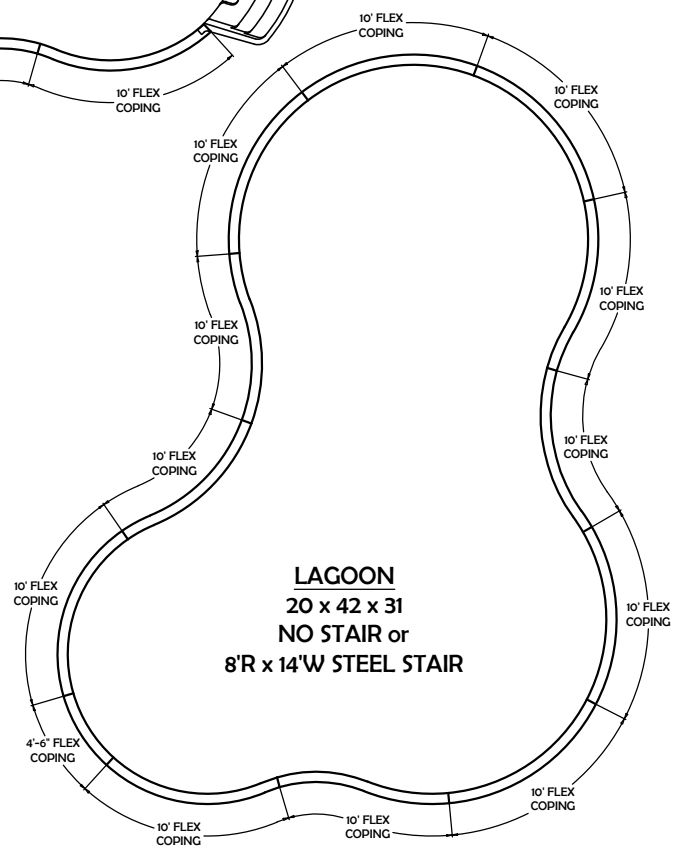
LAGOON
18 x 37 x 29
8'R PLASTIC STEP



LAGOON
18 x 37 x 29
NO STAIR or
8'R x 14'W STEEL STAIR



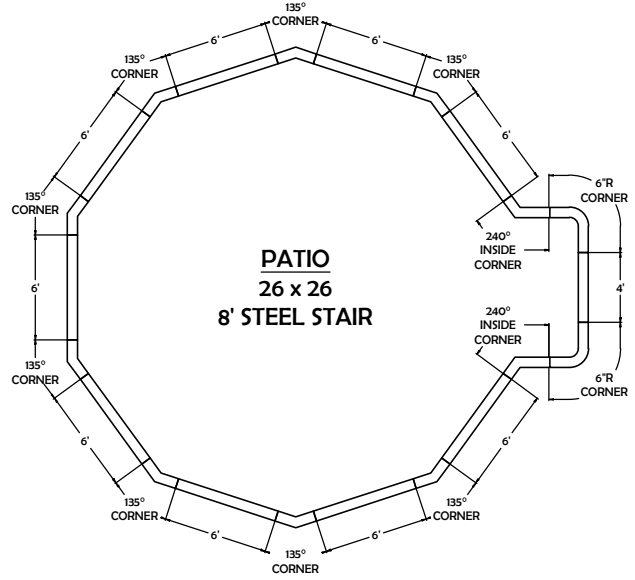
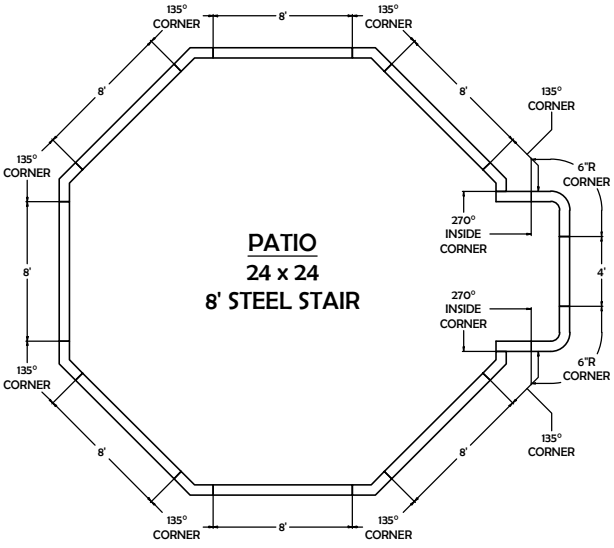
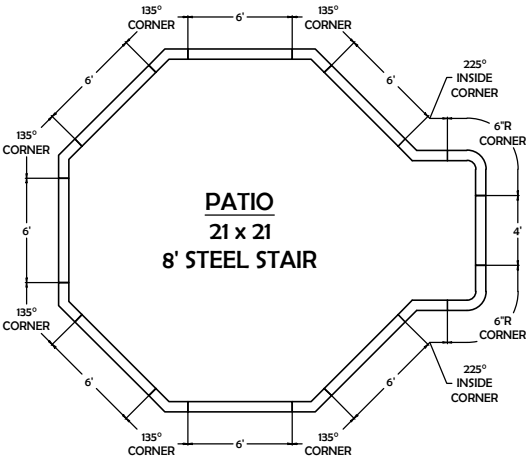
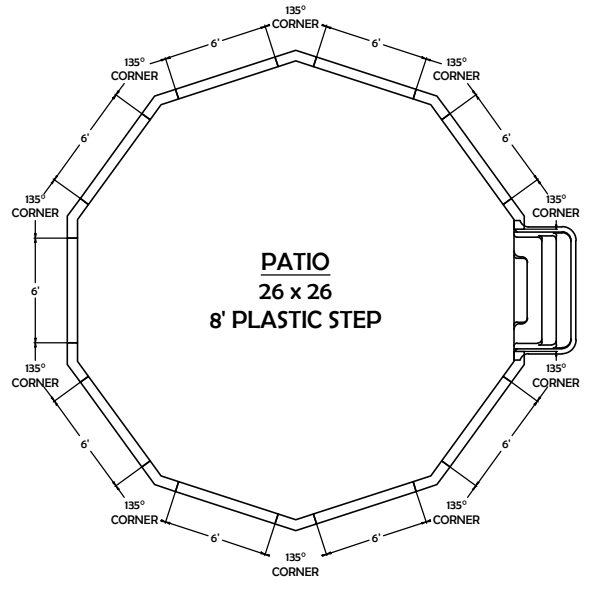
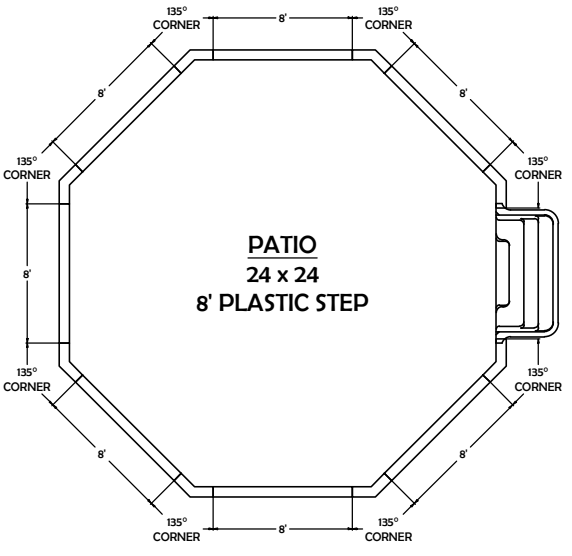
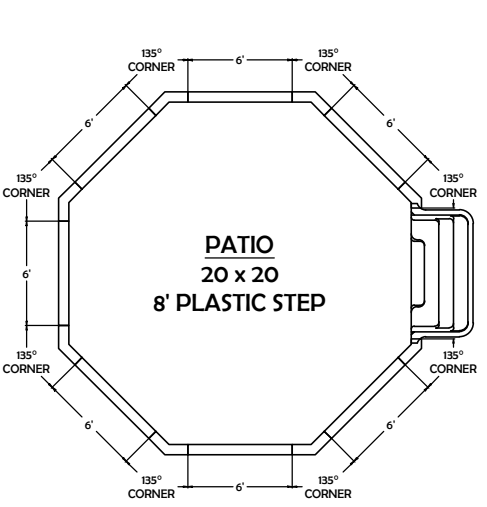
LAGOON
20 x 42 x 31
8'R PLASTIC STEP



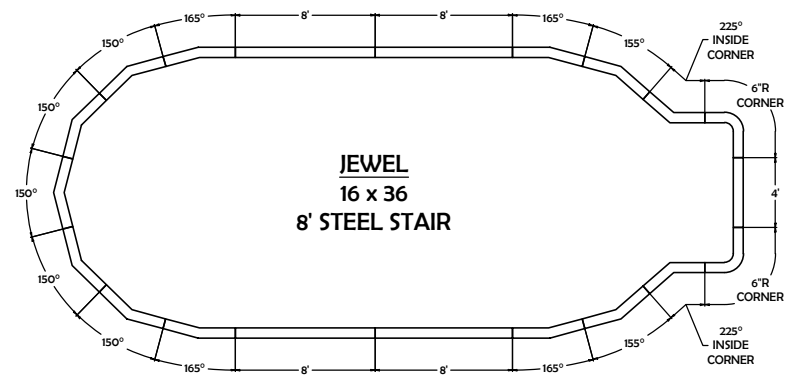
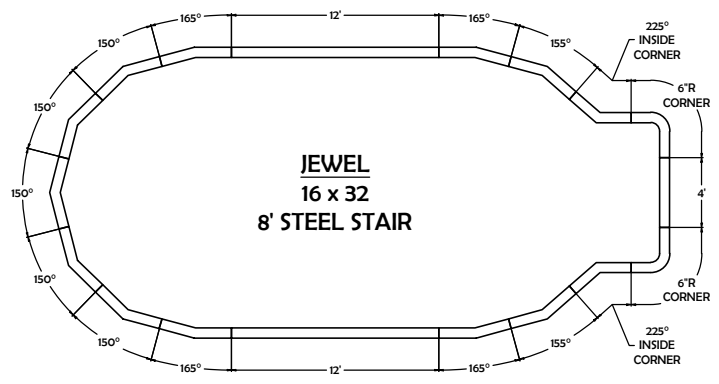
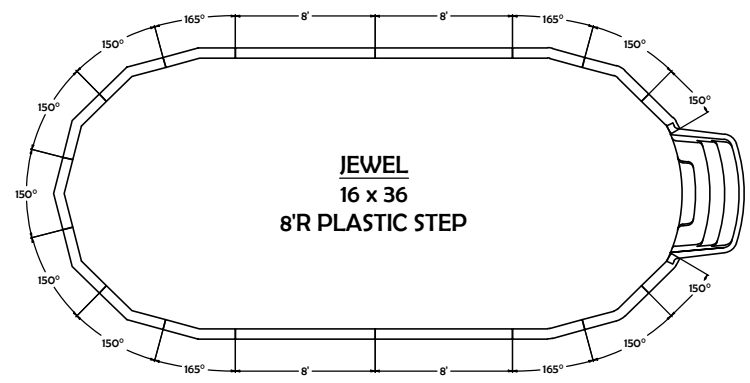
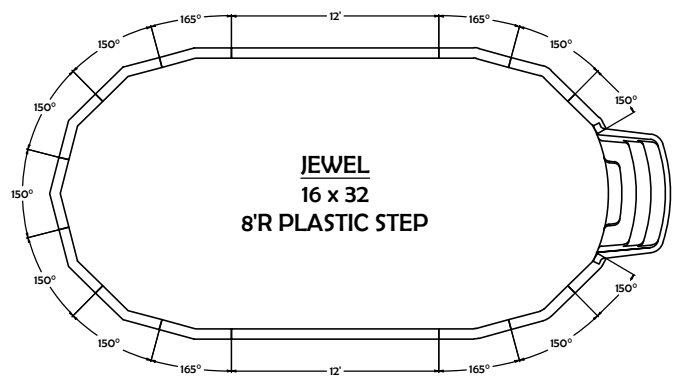
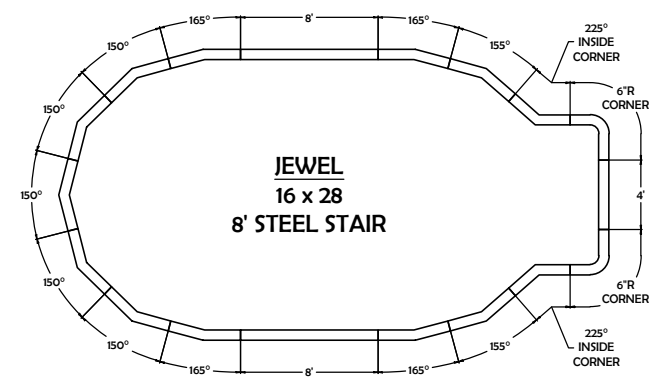
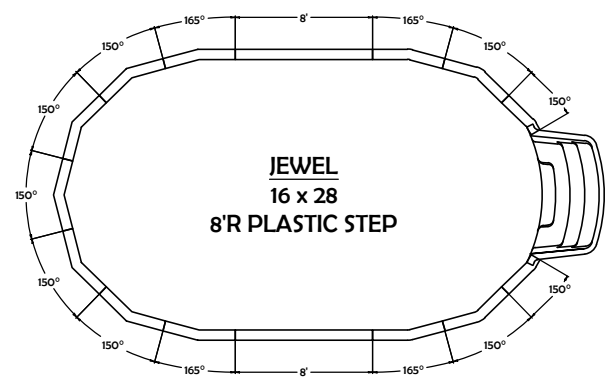
LAGOON
20 x 42 x 31
NO STAIR or
8'R x 14'W STEEL STAIR

Coping Layouts - CP2

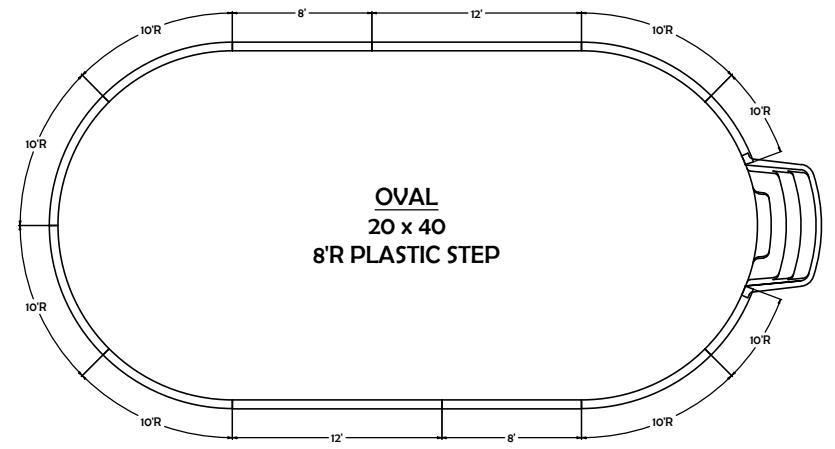
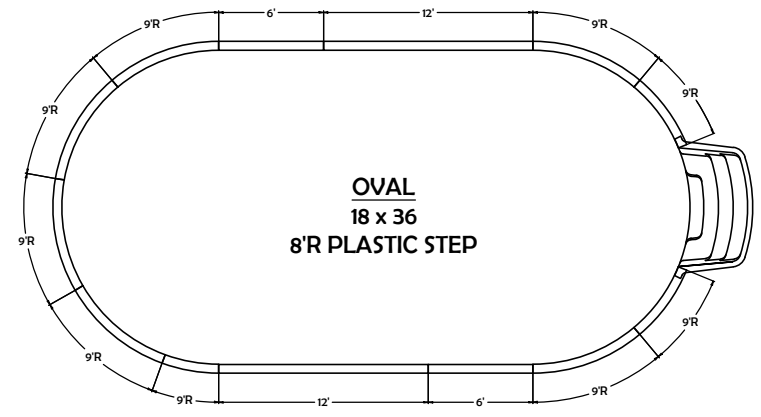
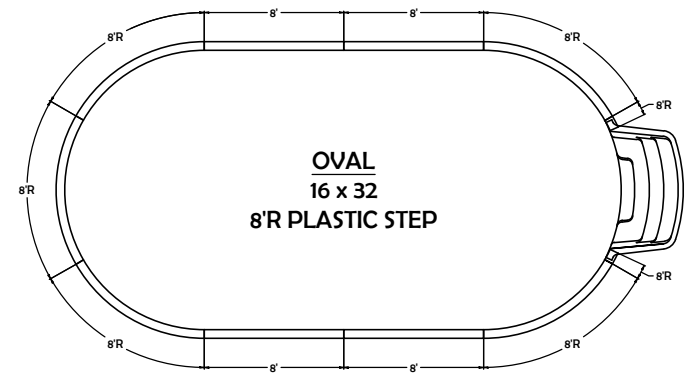
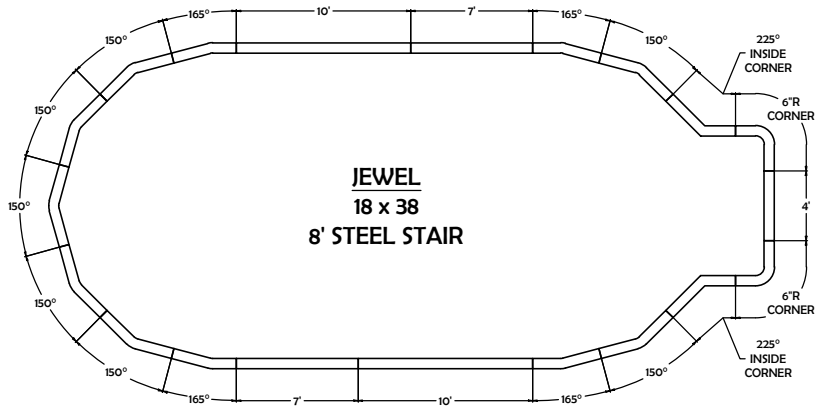
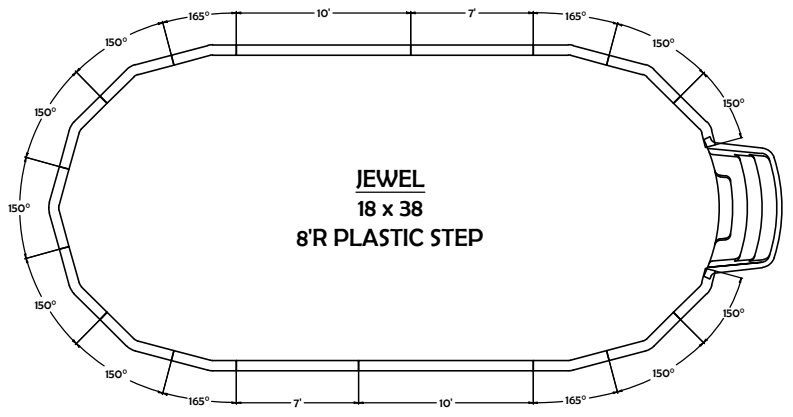
Patio Pools



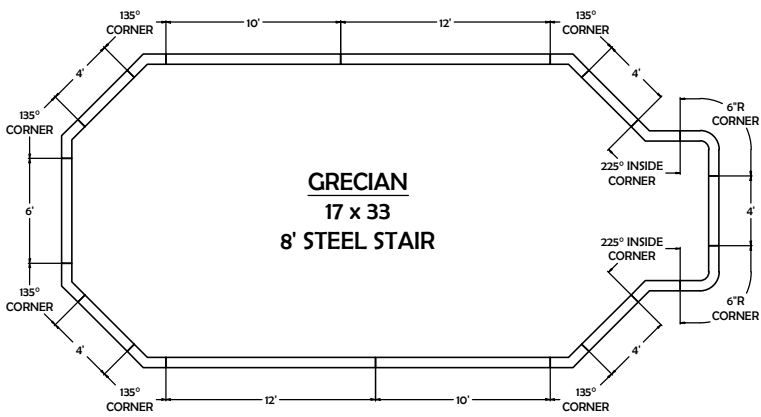
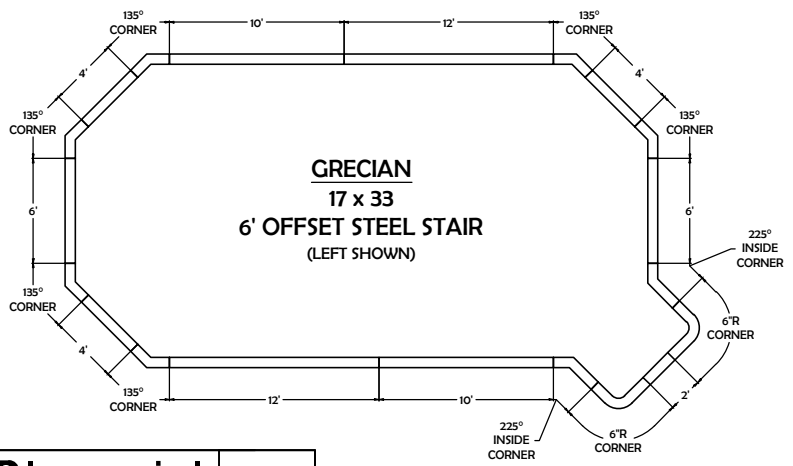
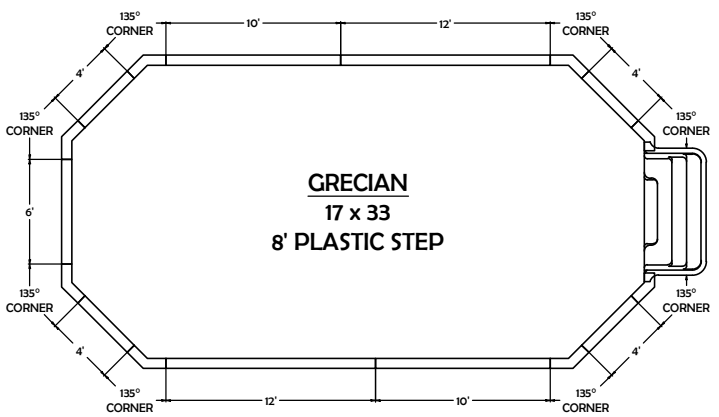
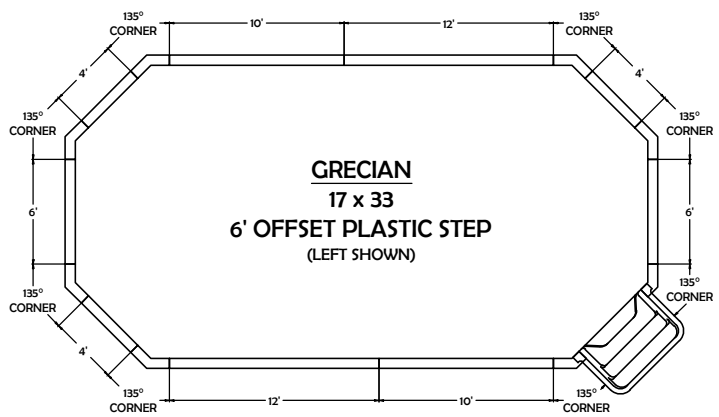
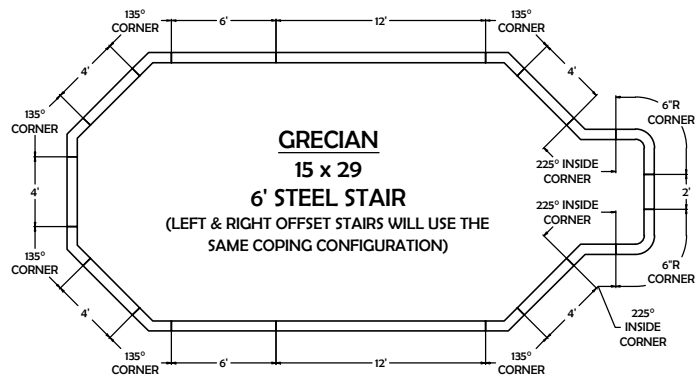
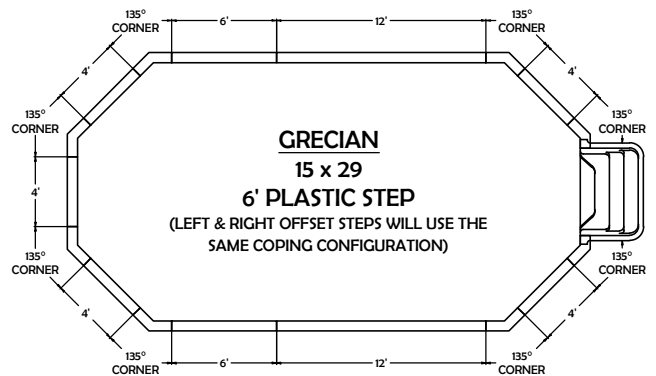
Coping Layouts - CP2
Jewel Pools



Coping Layouts - CP2
Jewel Pools & Oval Pools

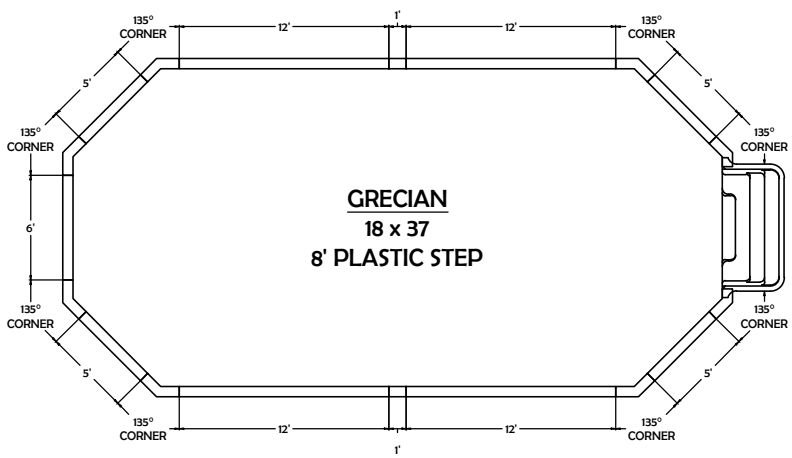
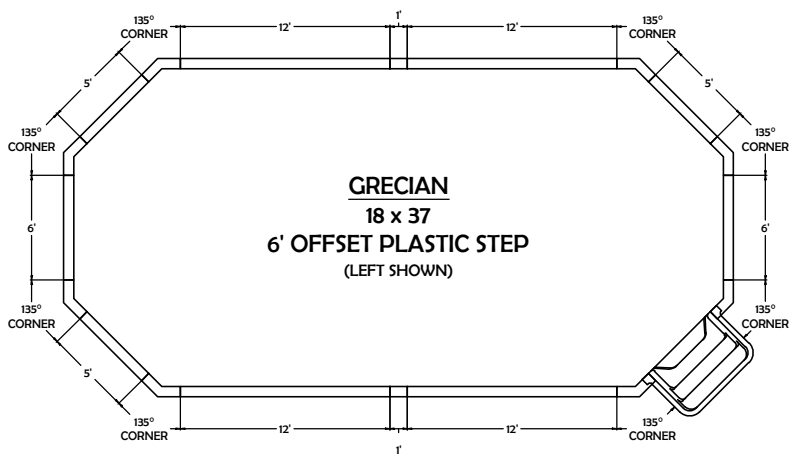
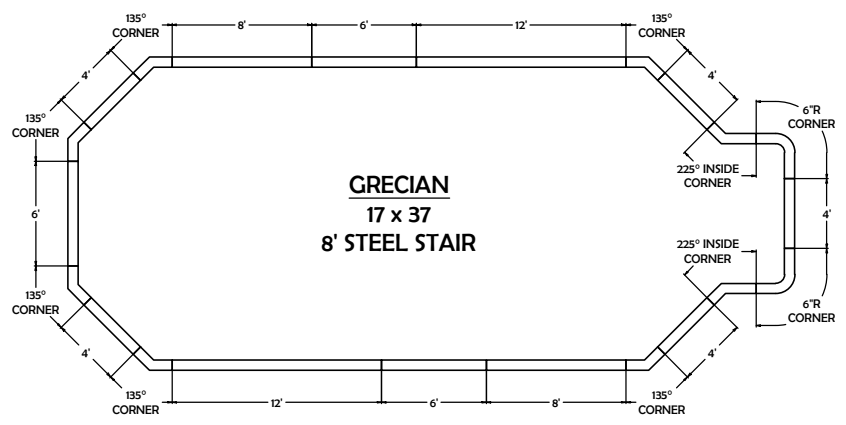
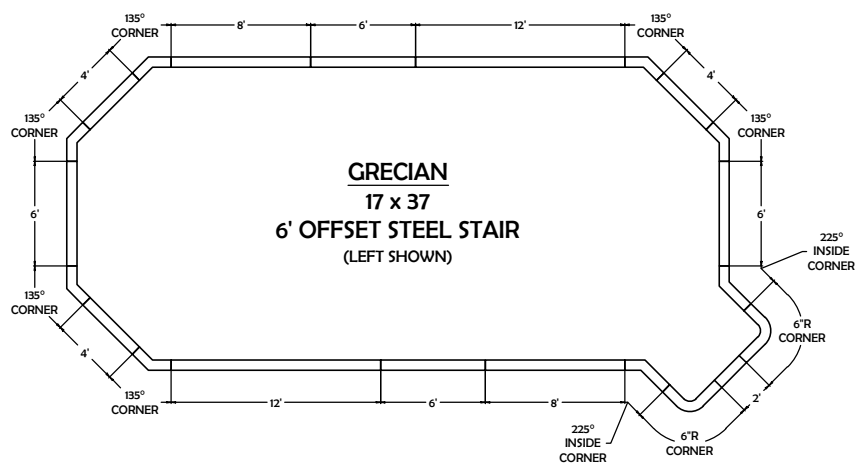
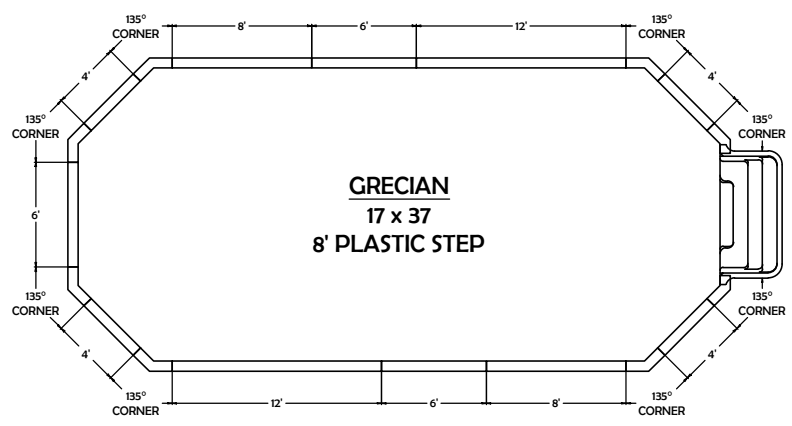
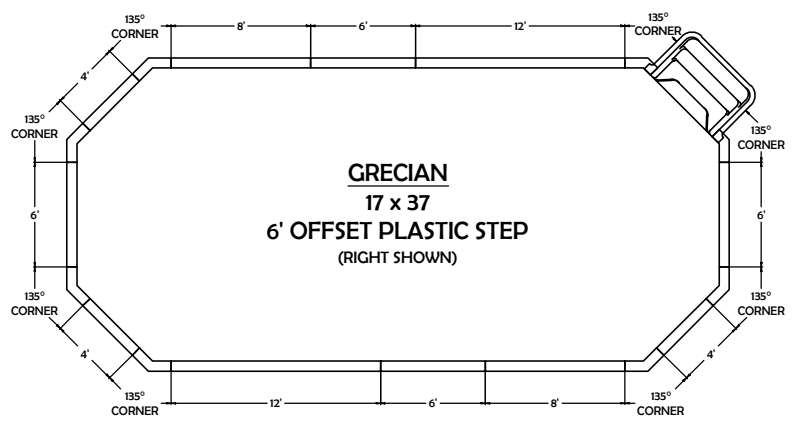


Coping Layouts - CP2
Grecian Pools



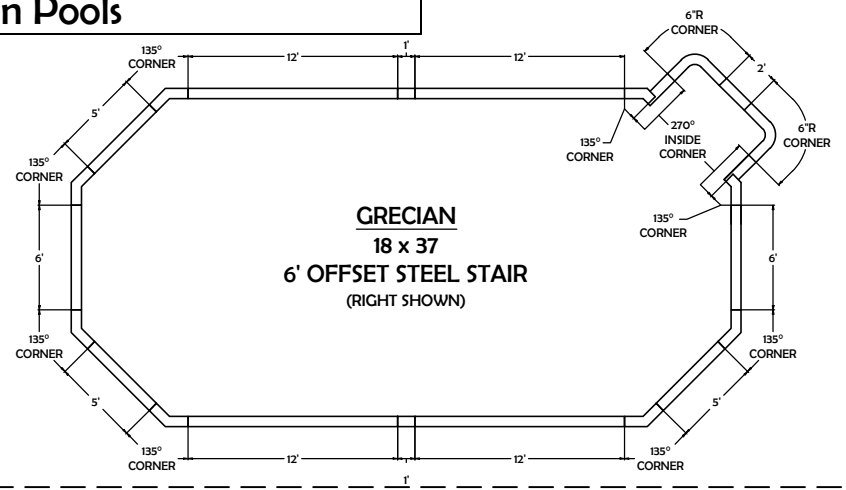
Coping Layouts - CP2

Grecian Pools

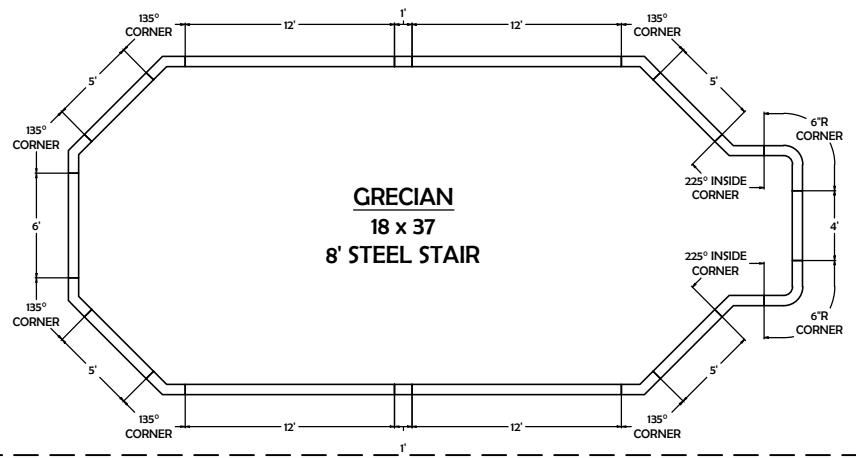


Coping Layouts - CP2

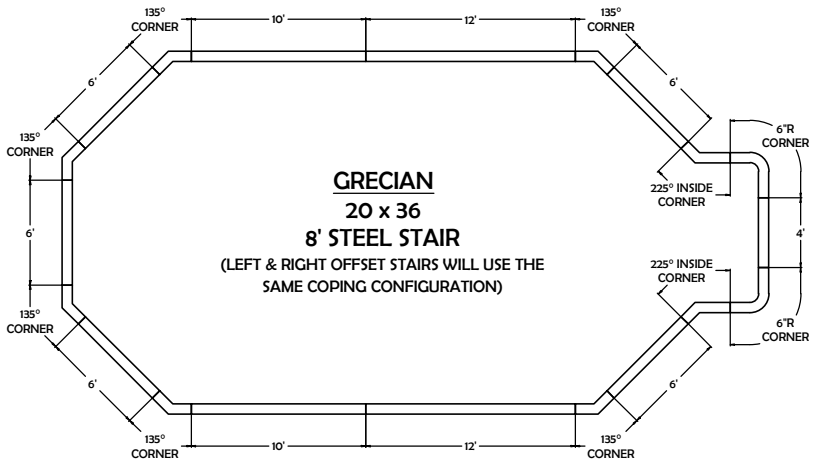
Greician Pools



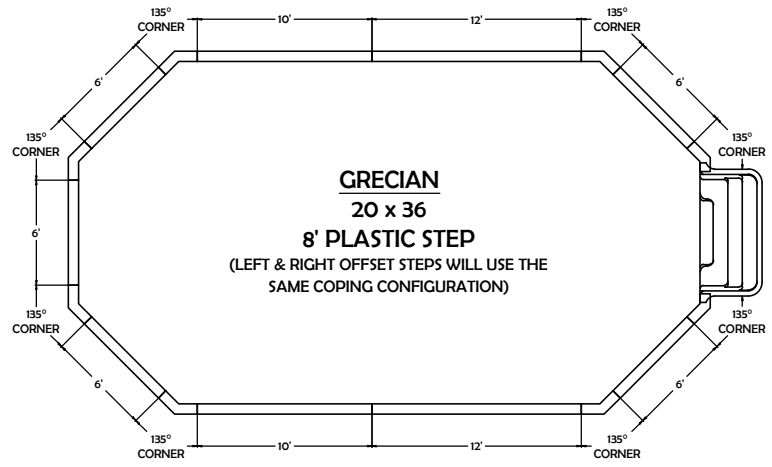
GRECIAN
18 x 37
6' OFFSET STEEL STAIR
(RIGHT SHOWN)



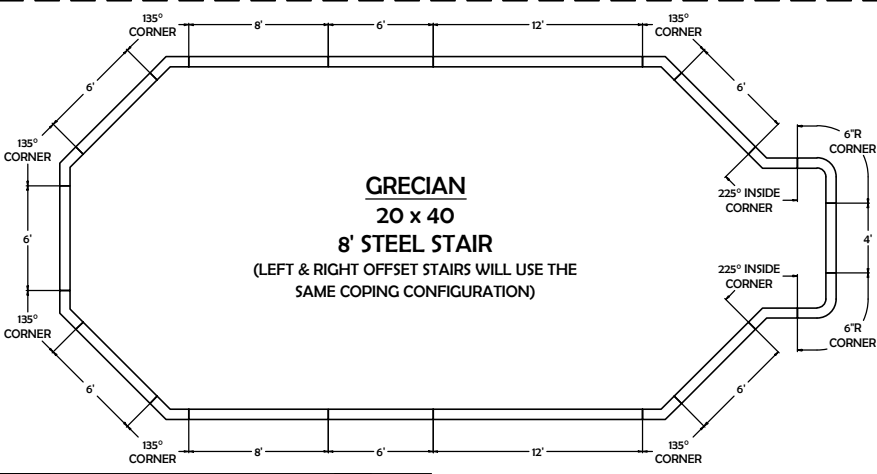
GRECIAN
18 x 37
8' STEEL STAIR



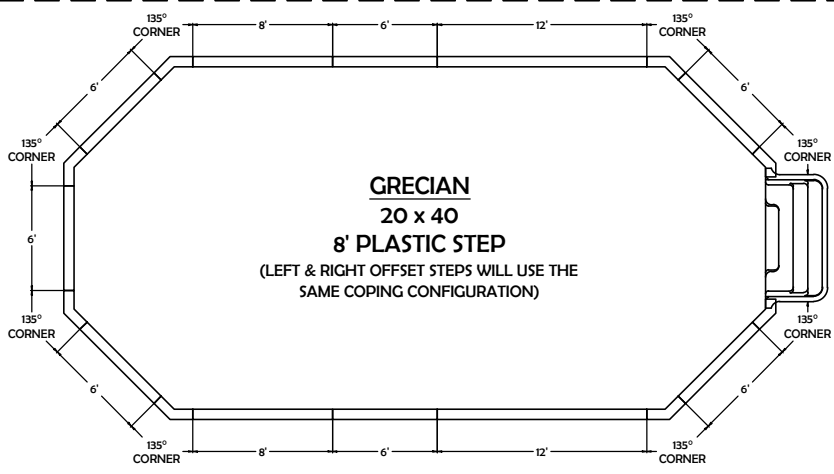
GRECIAN
20 x 36
8' STEEL STAIR
(LEFT & RIGHT OFFSET STAIRS WILL USE THE
SAME COPING CONFIGURATION)



GRECIAN
20 x 36
8' PLASTIC STEP
(LEFT & RIGHT OFFSET STEPS WILL USE THE
SAME COPING CONFIGURATION)



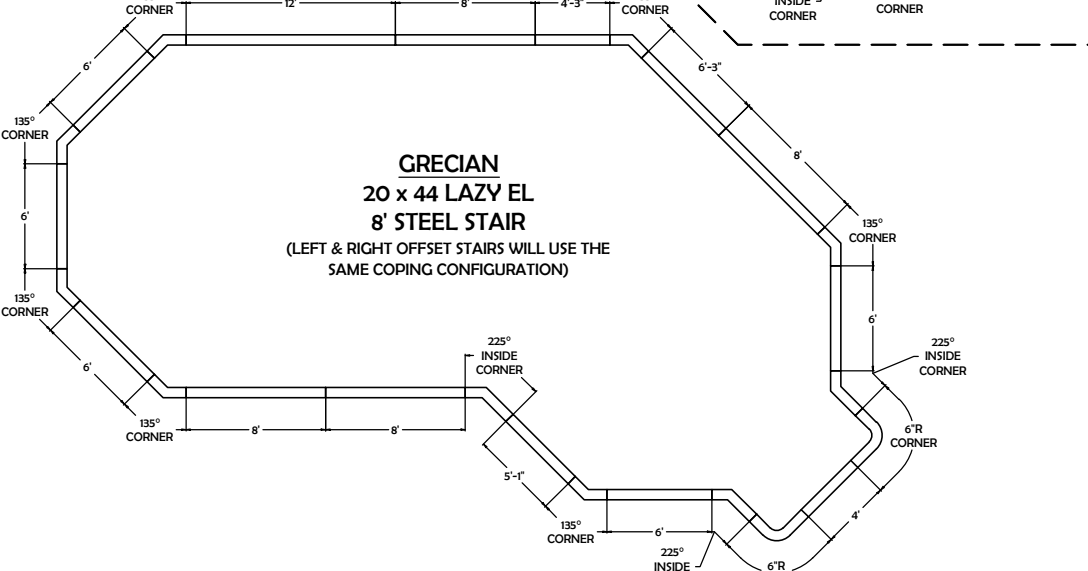
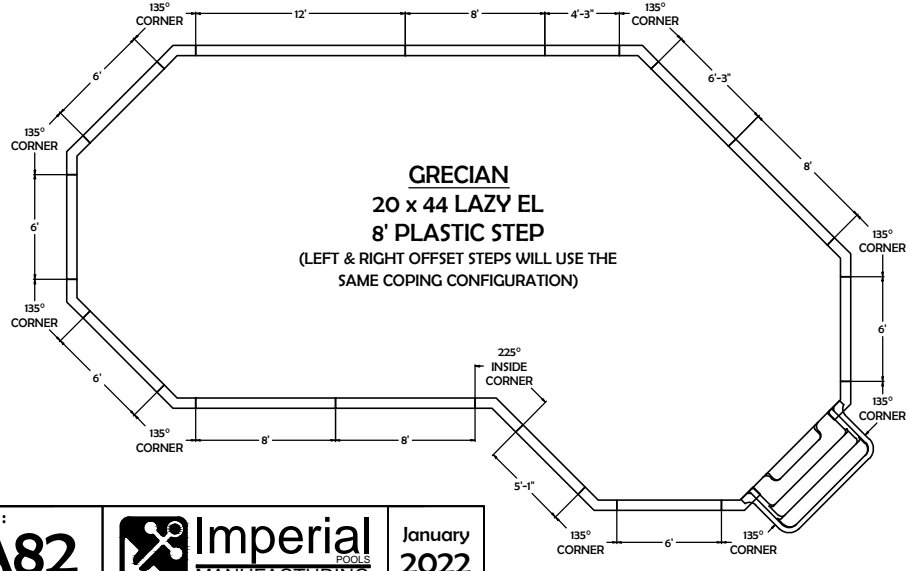
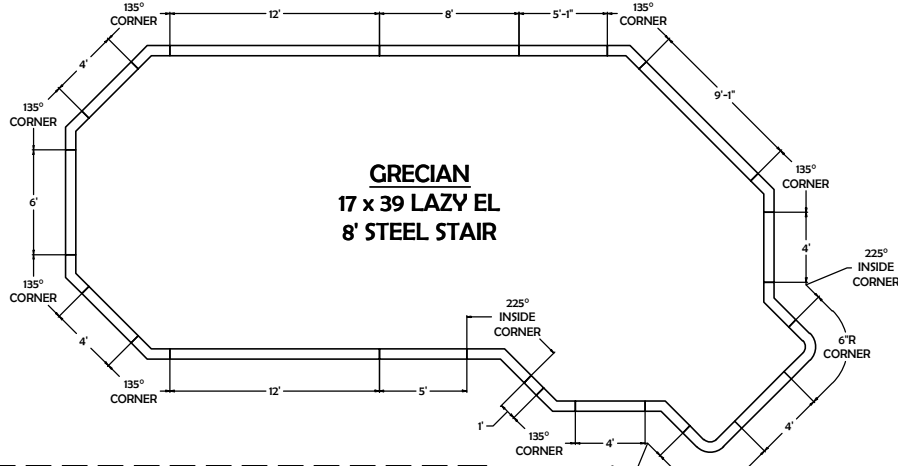
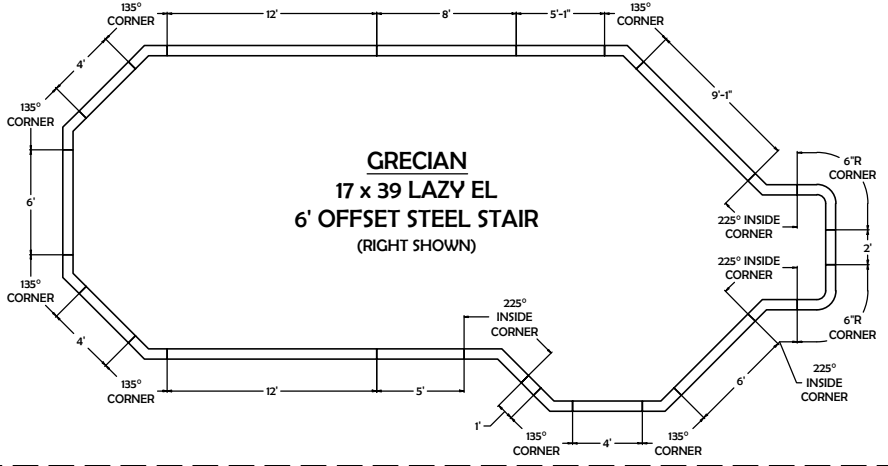
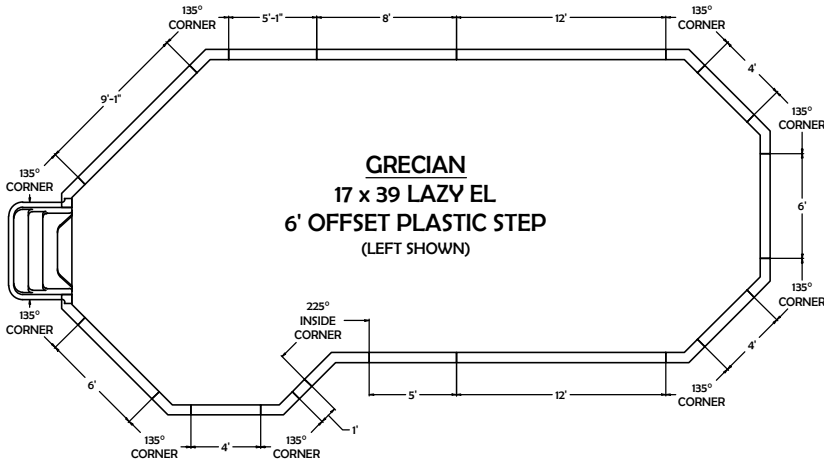
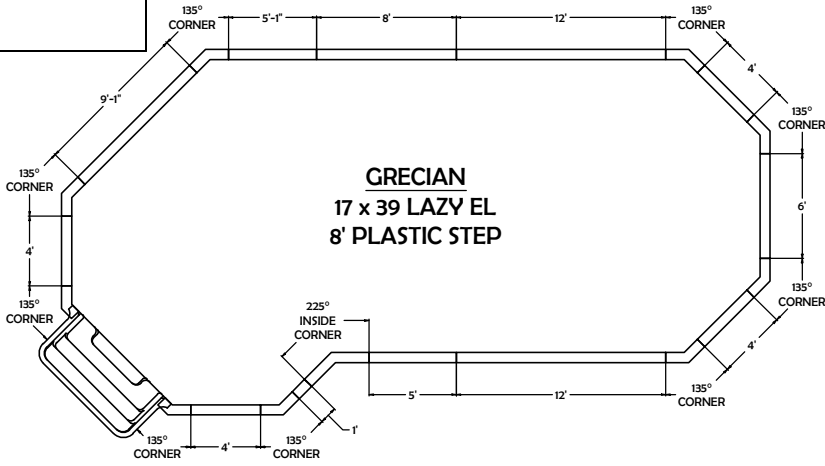
GRECIAN
20 x 40
8' STEEL STAIR
(LEFT & RIGHT OFFSET STAIRS WILL USE THE
SAME COPING CONFIGURATION)



GRECIAN
20 x 40
8' PLASTIC STEP
(LEFT & RIGHT OFFSET STEPS WILL USE THE
SAME COPING CONFIGURATION)

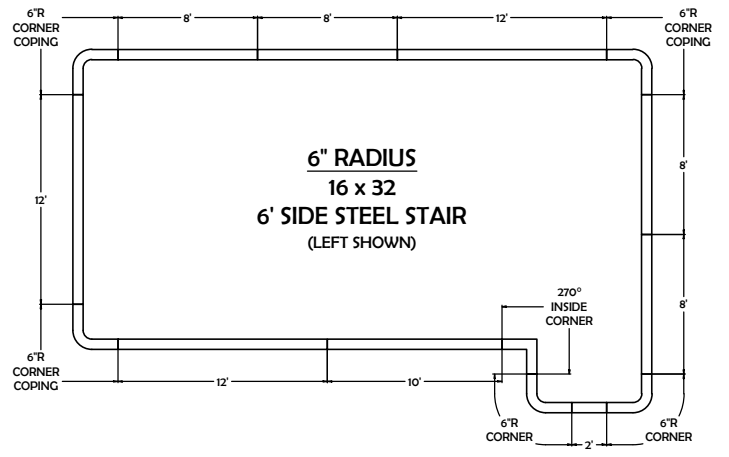
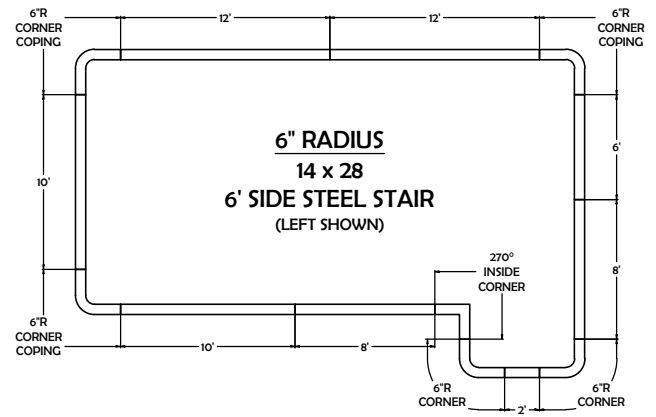
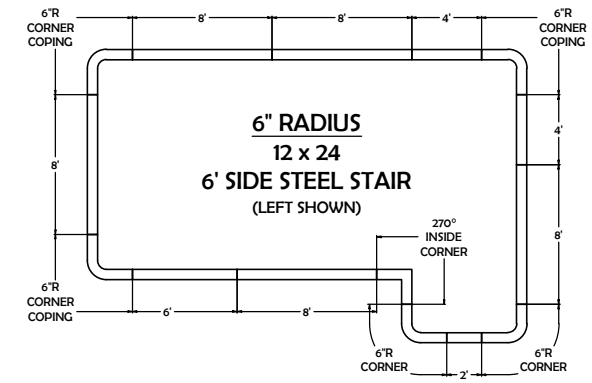
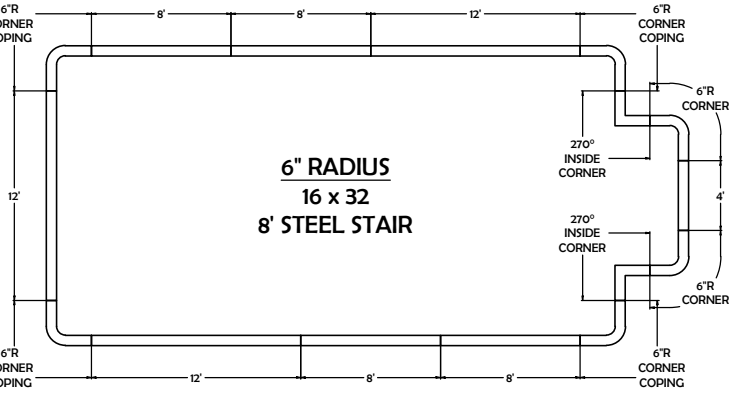
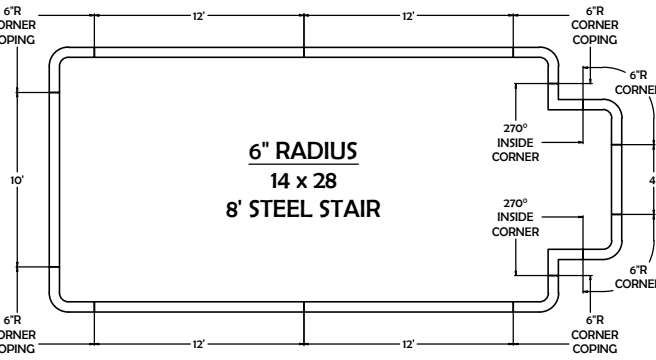
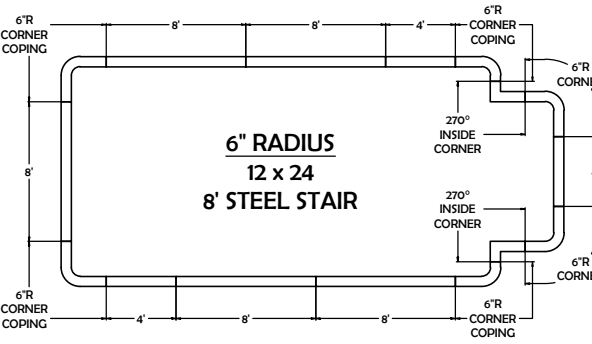
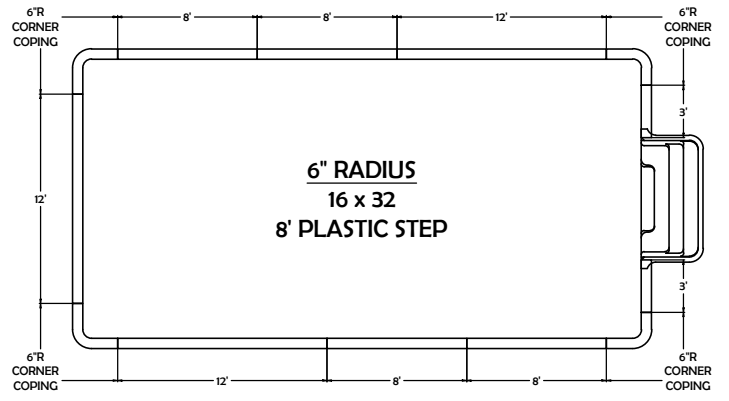
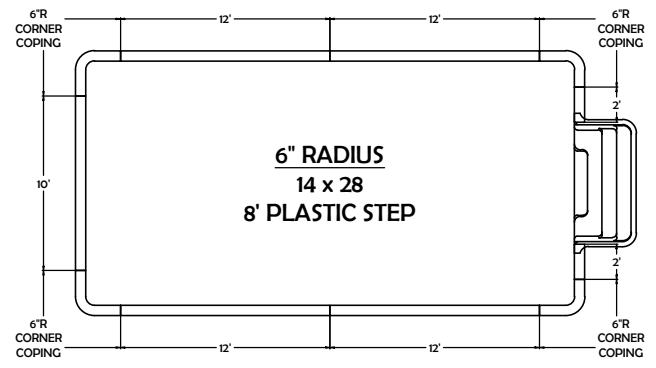
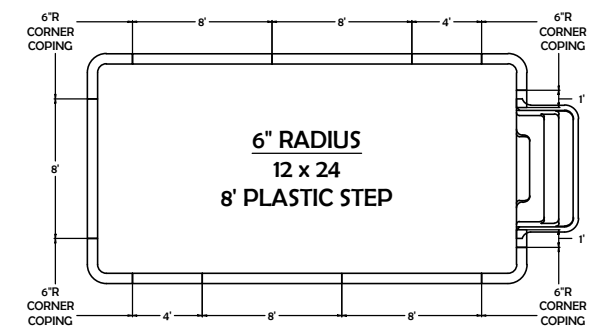
Coping Layouts - CP2

Grecian Pools



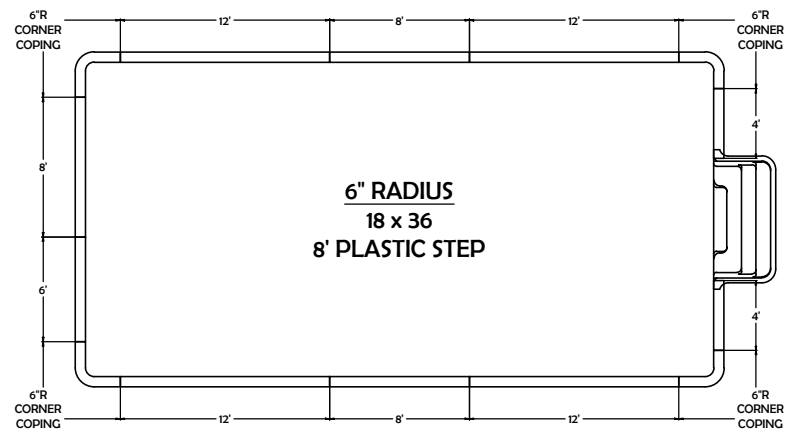
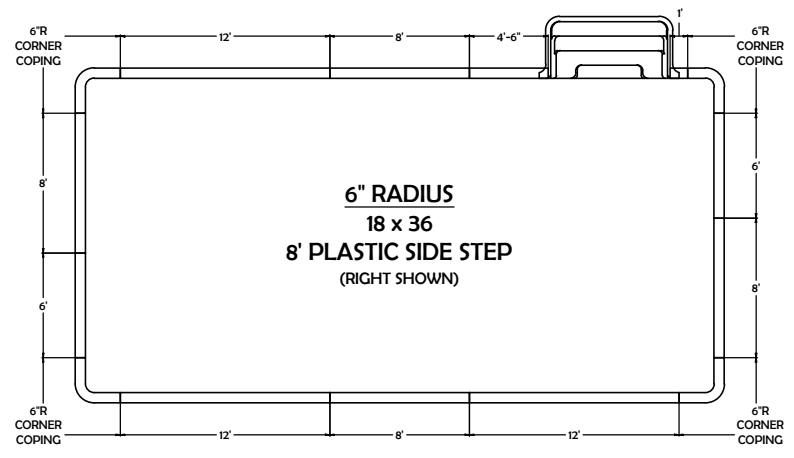
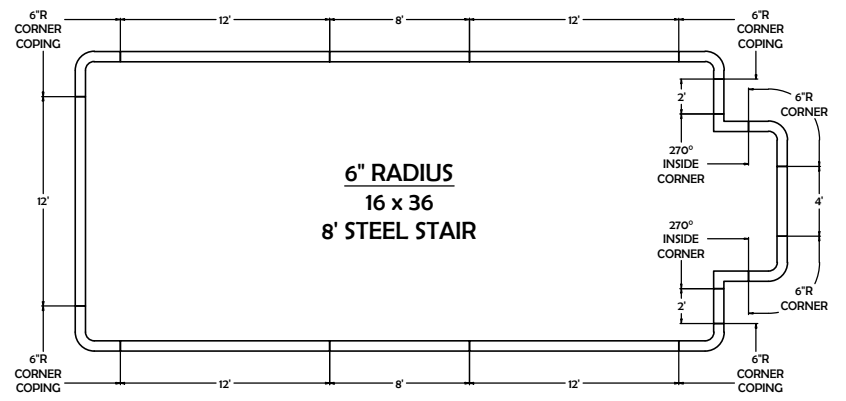
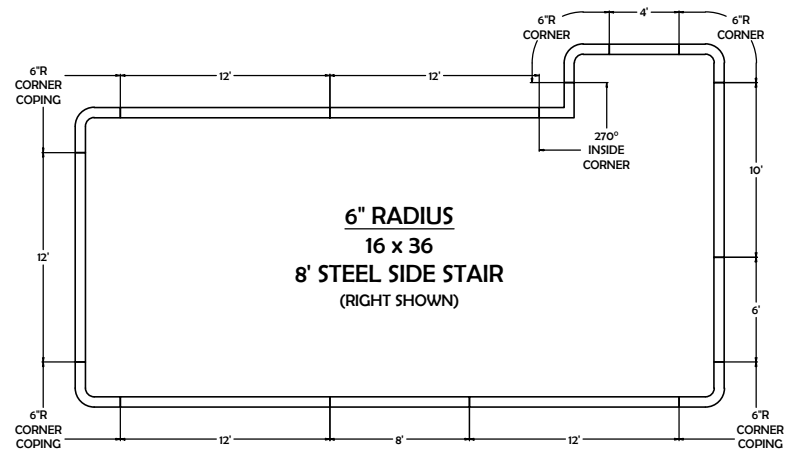
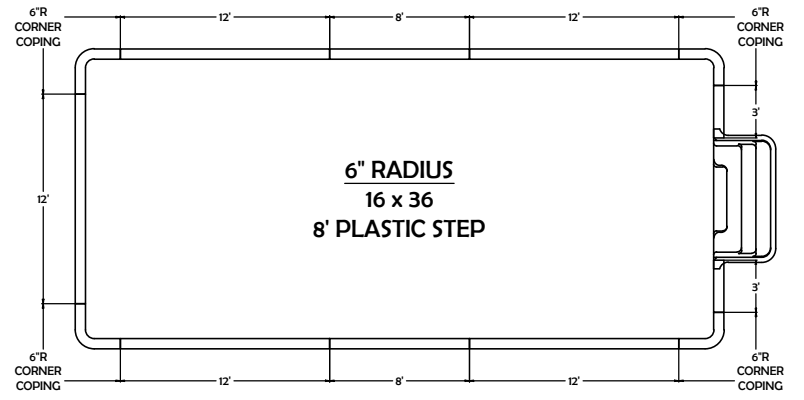
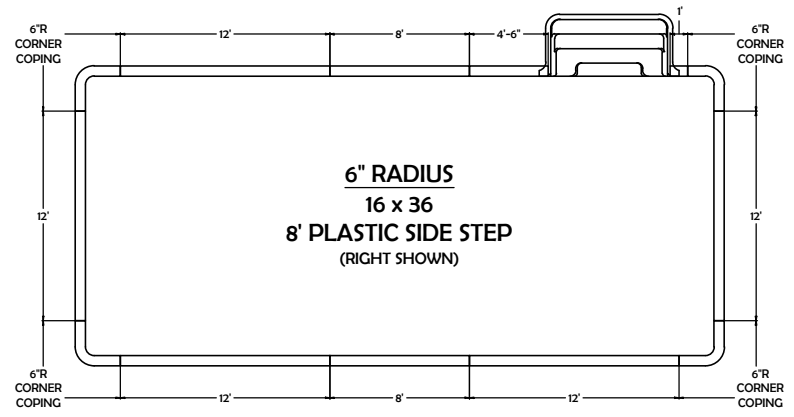
Coping Layouts - CP2

6" Radius Pools



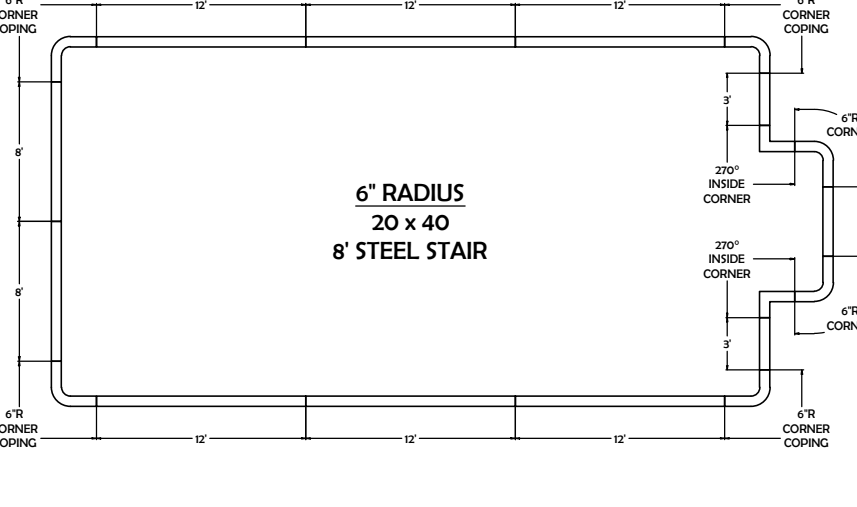
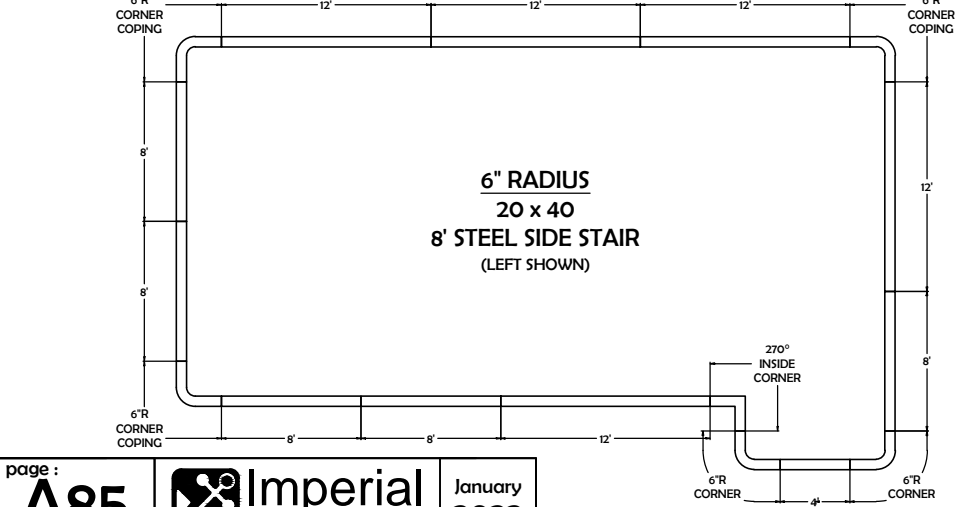
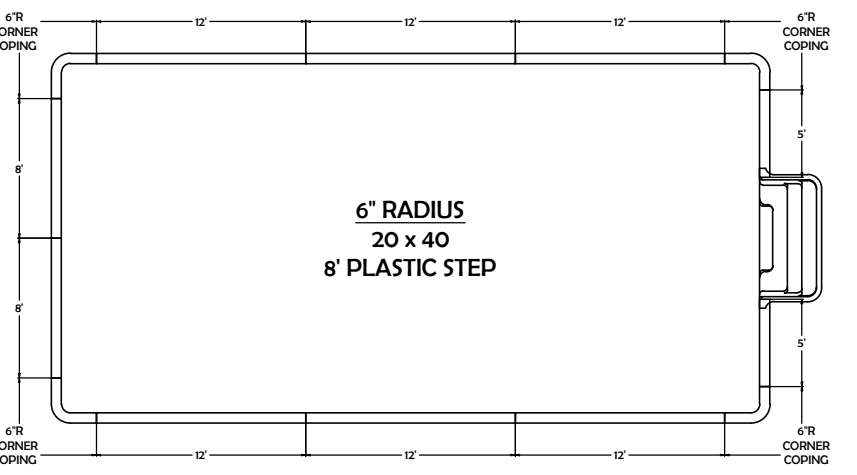
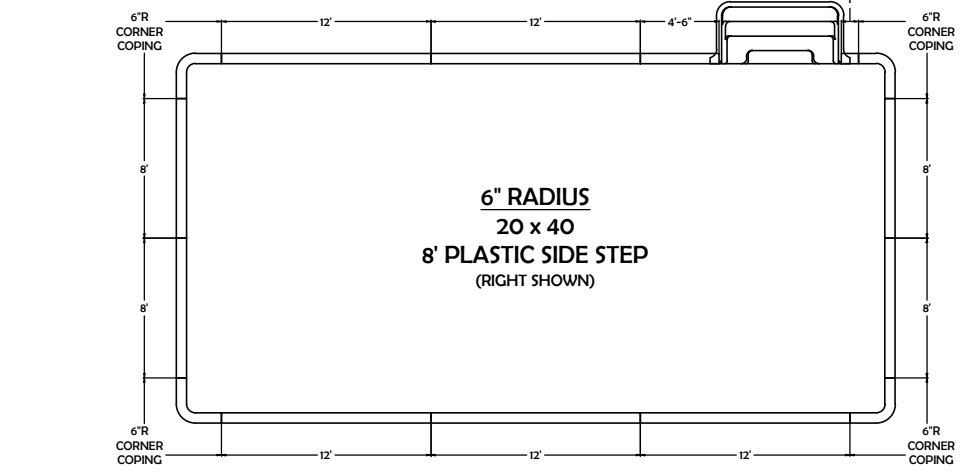
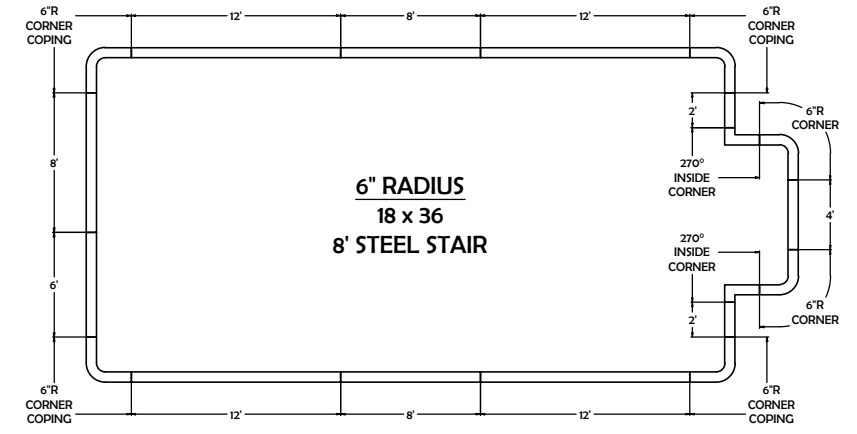
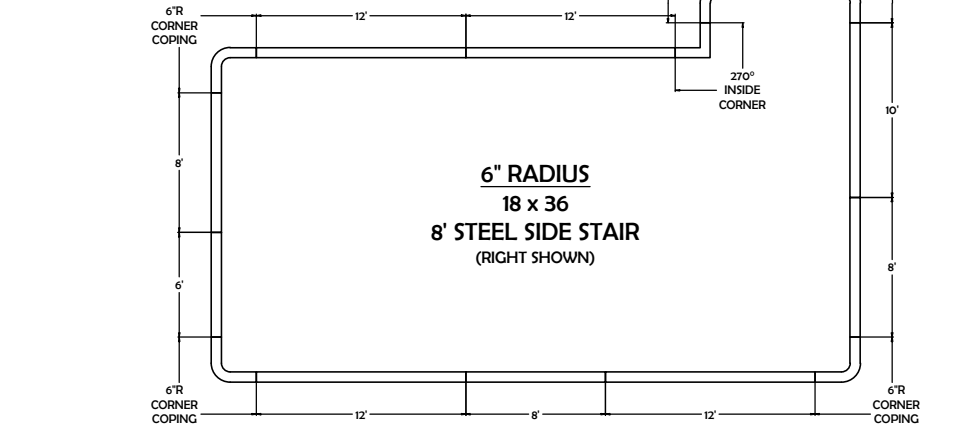
Coping Layouts - CP2

6" Radius Pools



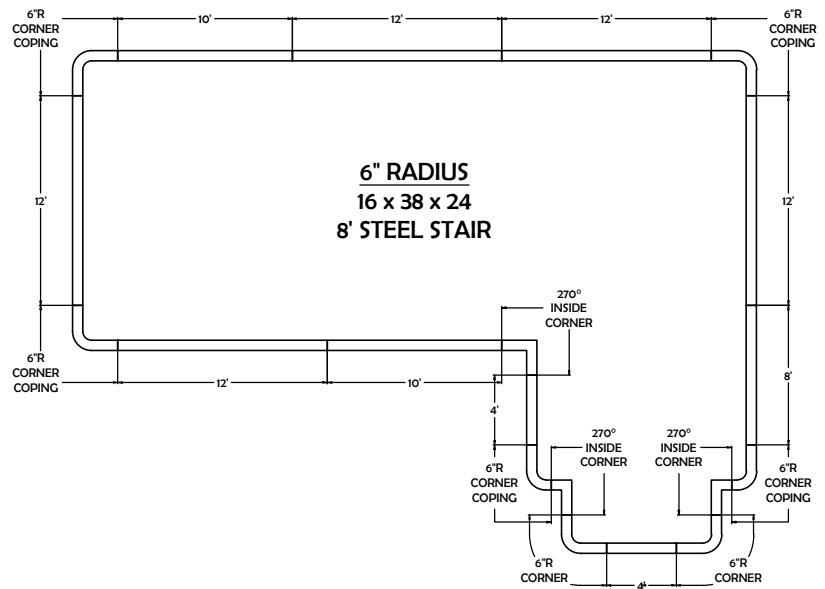
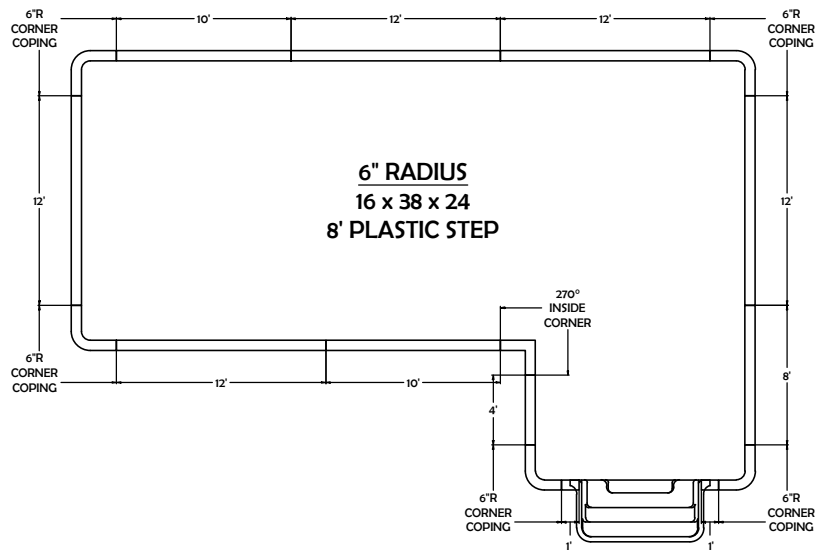
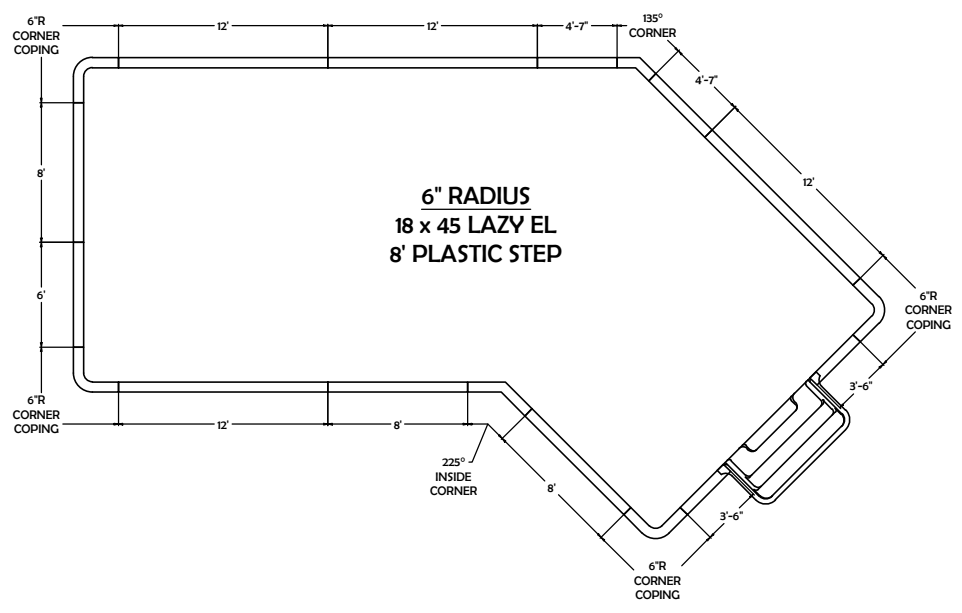
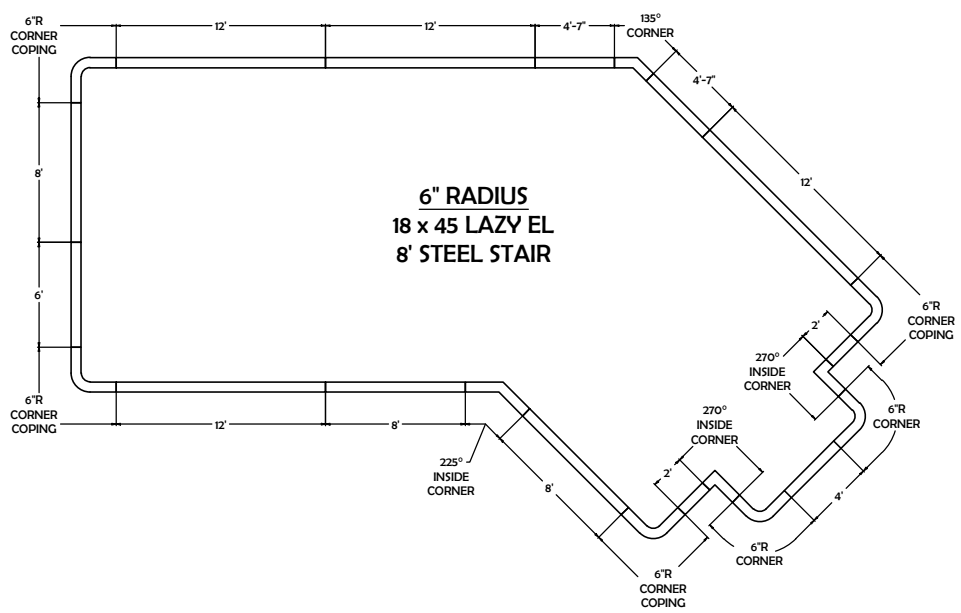
Coping Layouts - CP2

6" Radius Pools

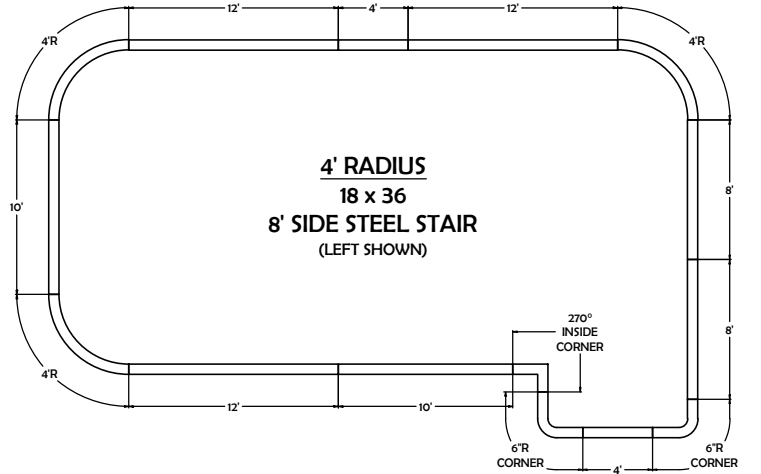
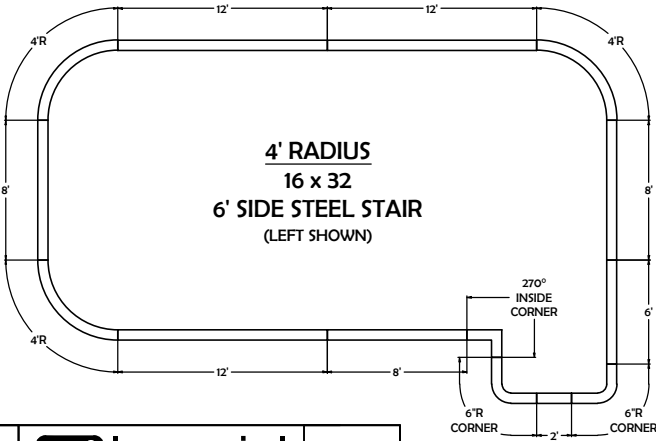
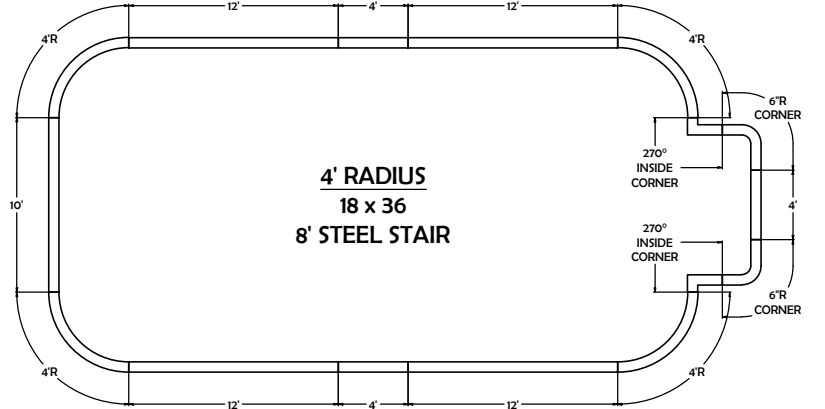
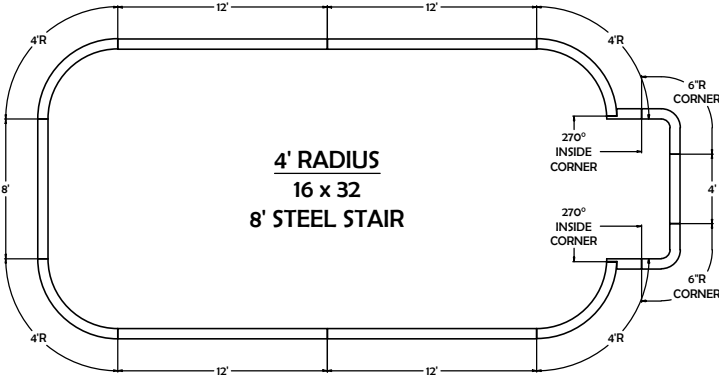
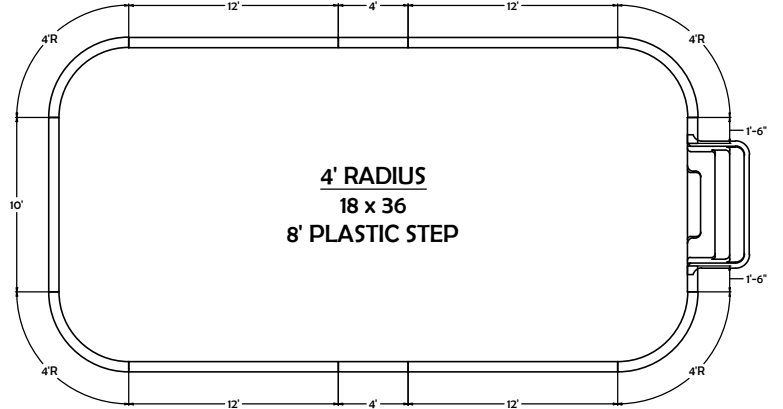
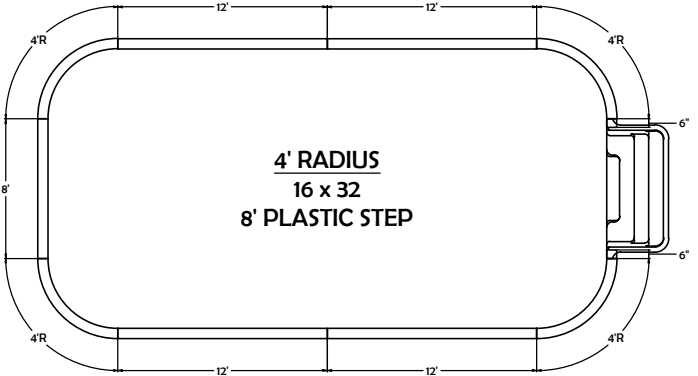


Coping Layouts - CP2

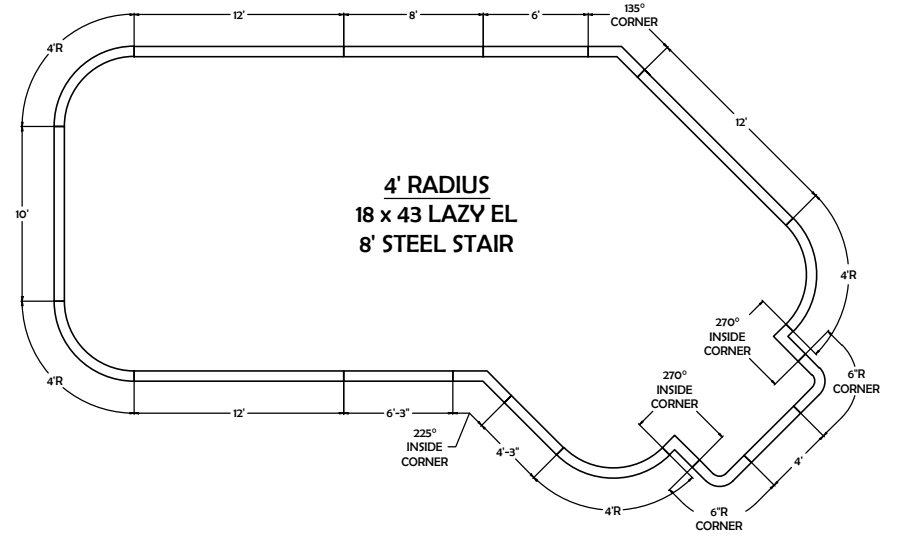
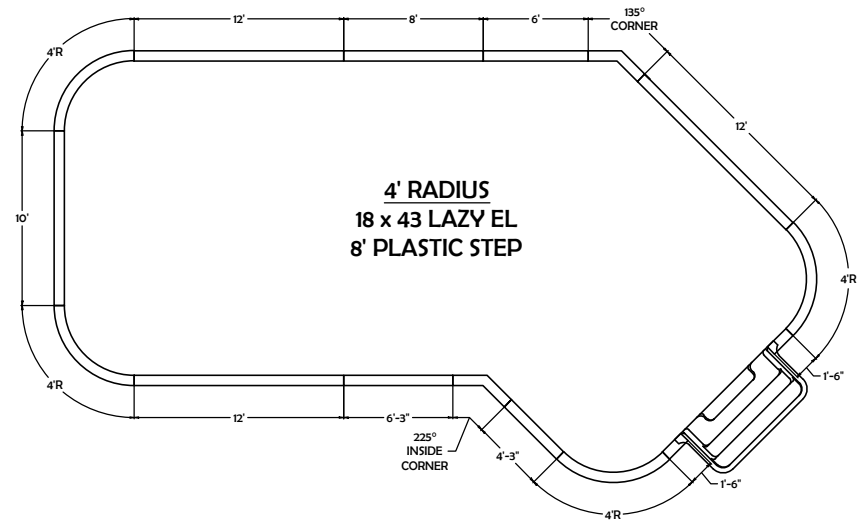
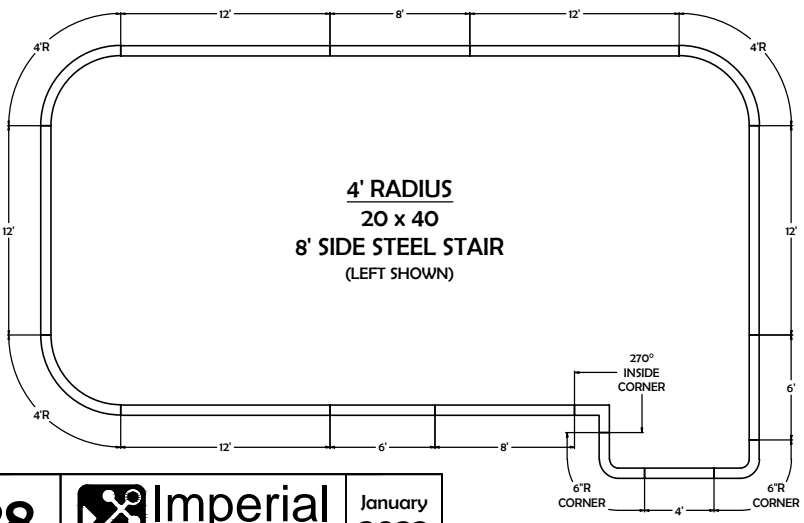
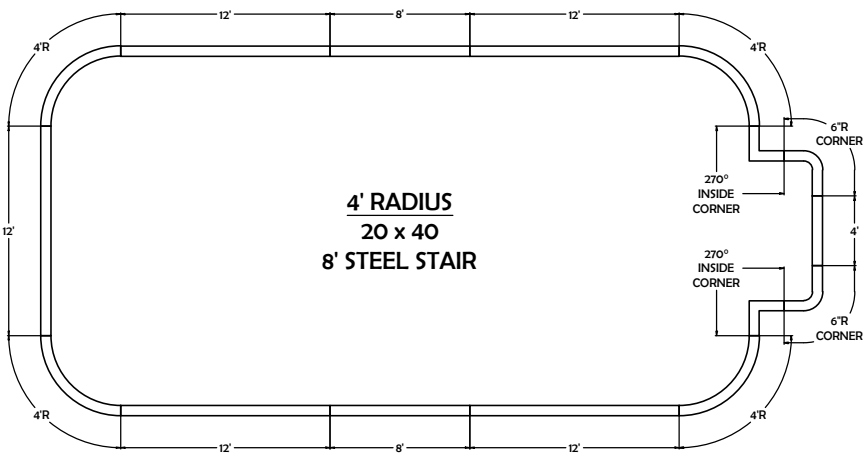
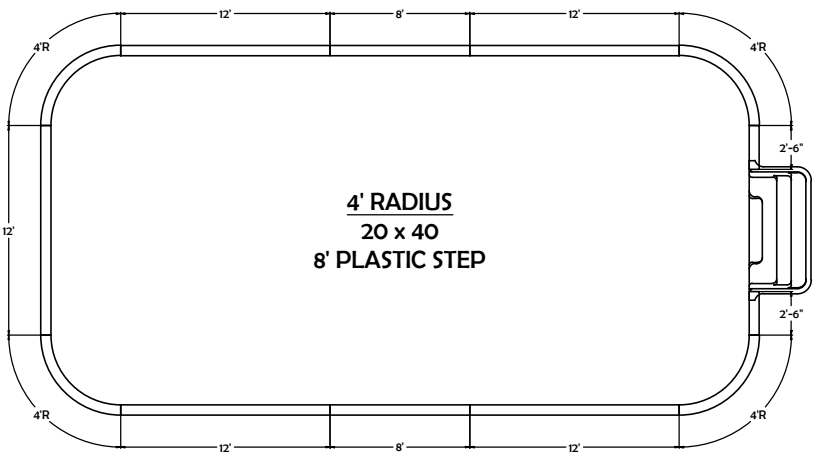
6" Radius Pools



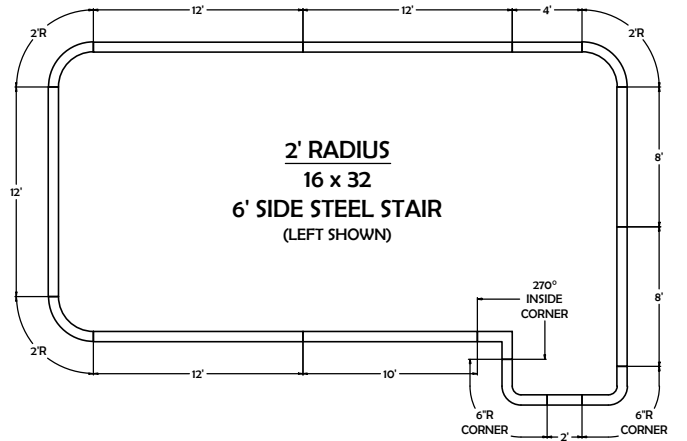
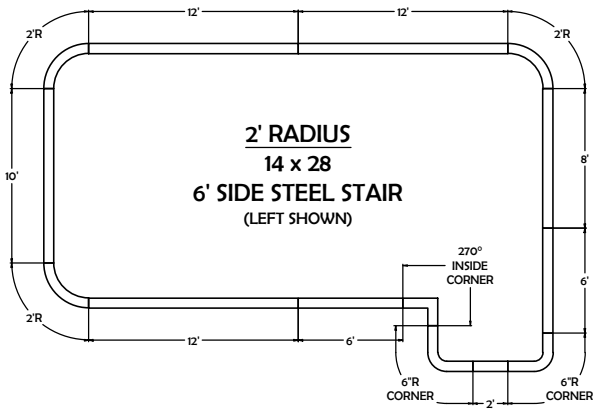
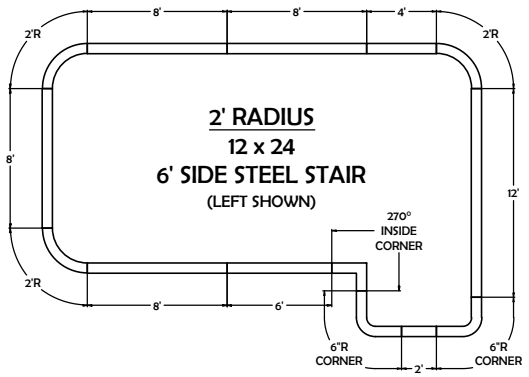
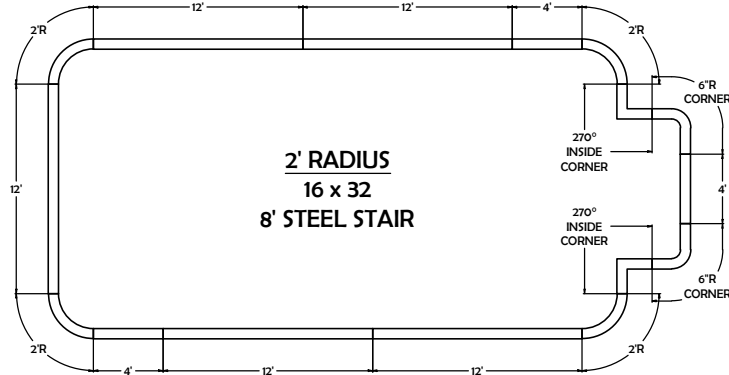
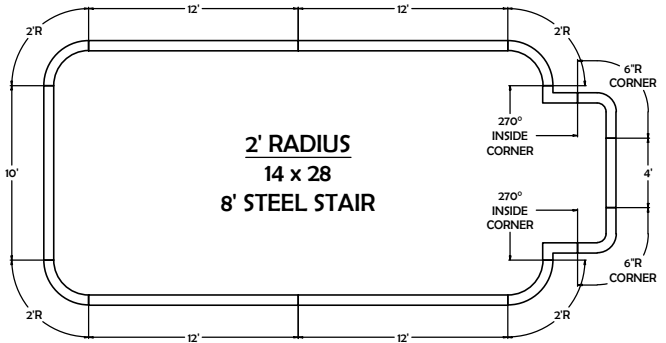
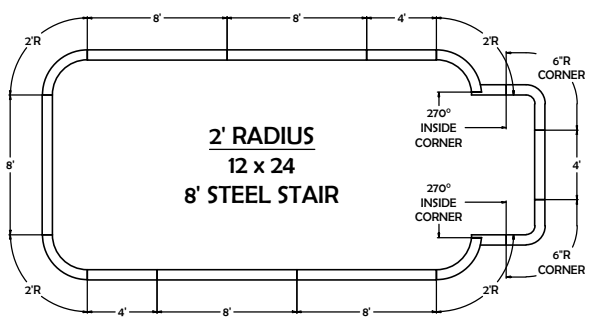
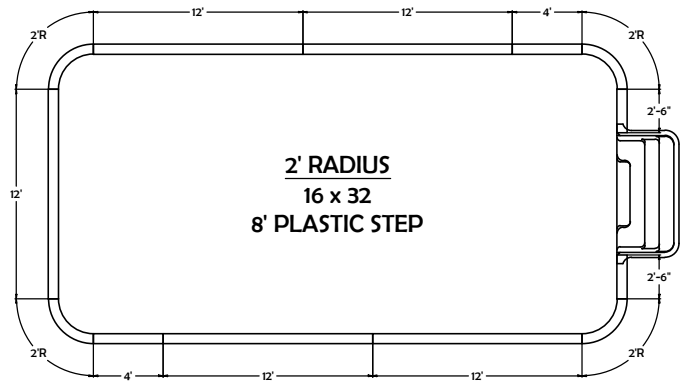
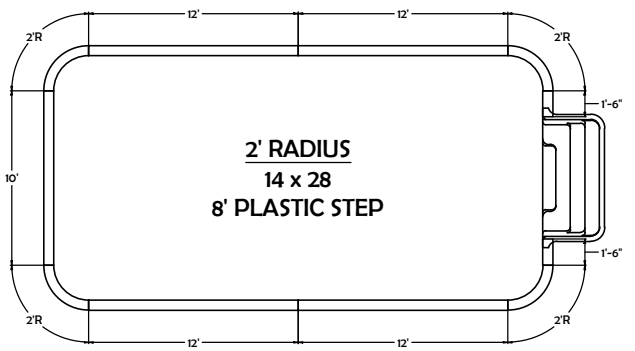
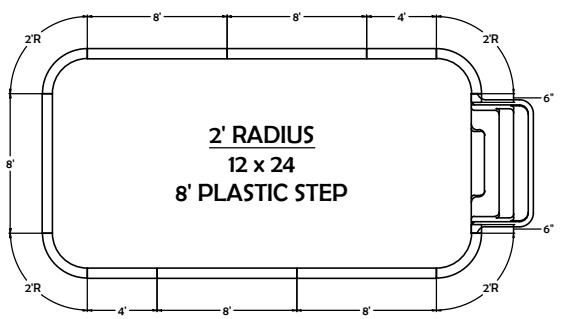
Coping Layouts - CP2
4' Radius Pools



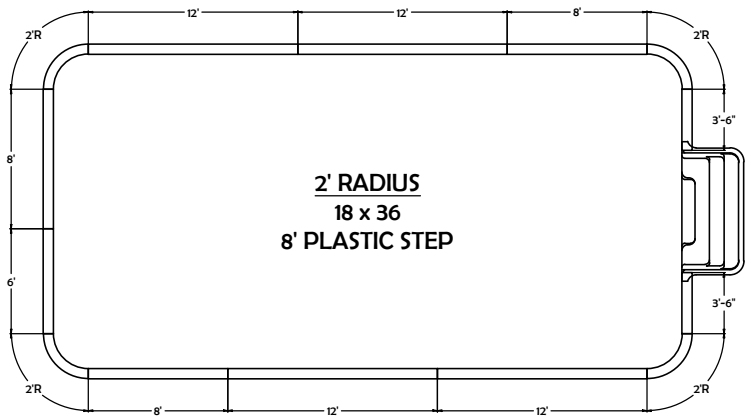
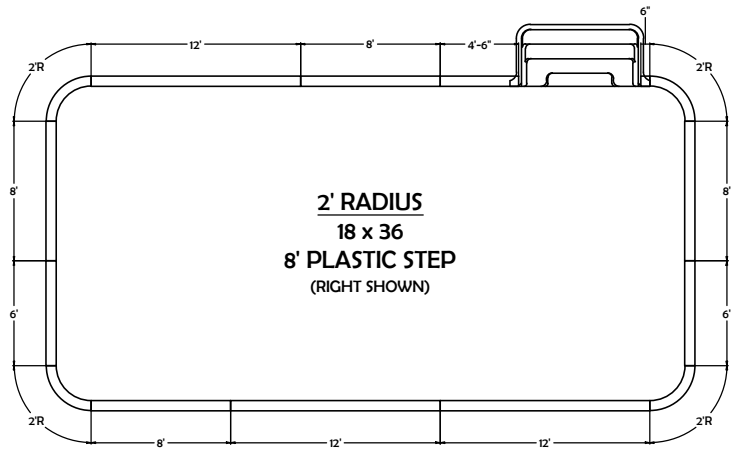
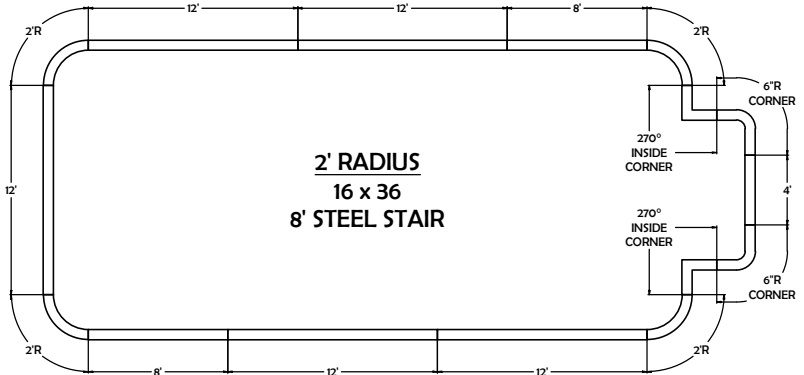
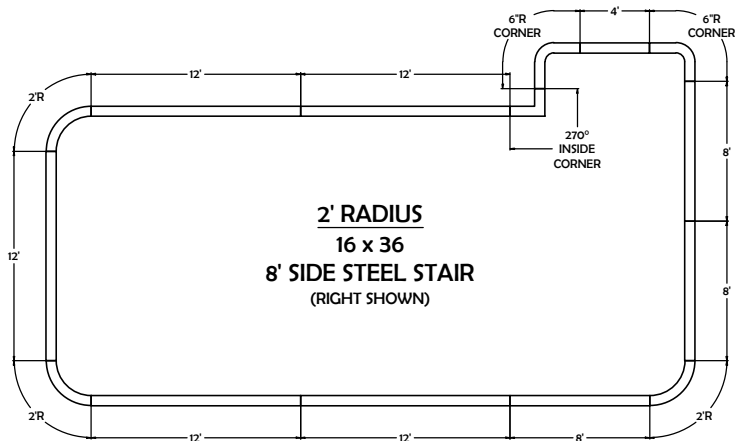
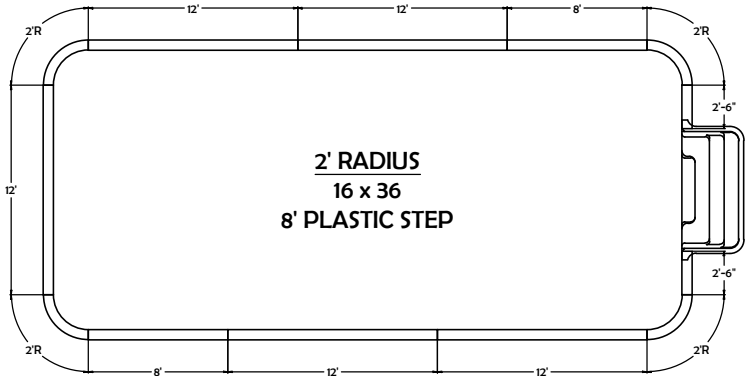
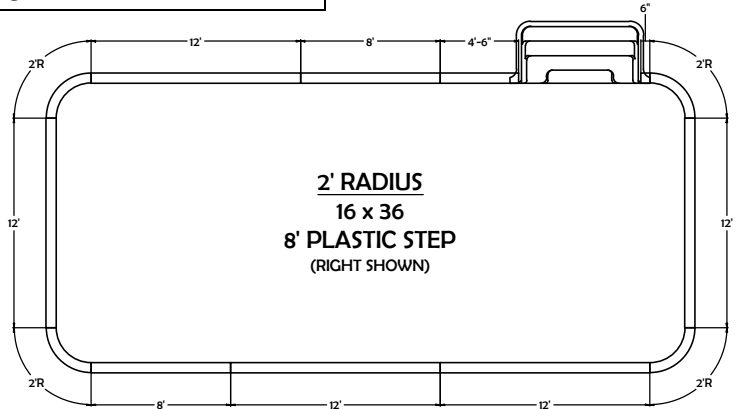
Coping Layouts - CP2
4' Radius Pools



Coping Layouts - CP2
2' Radius Pools

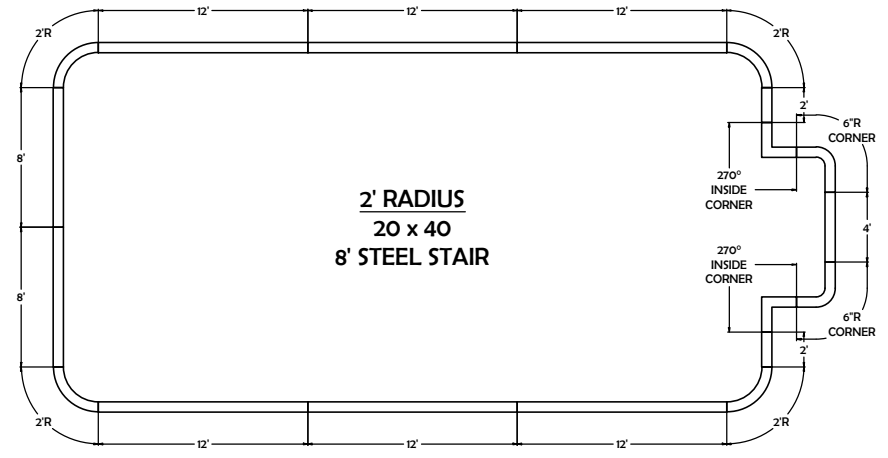
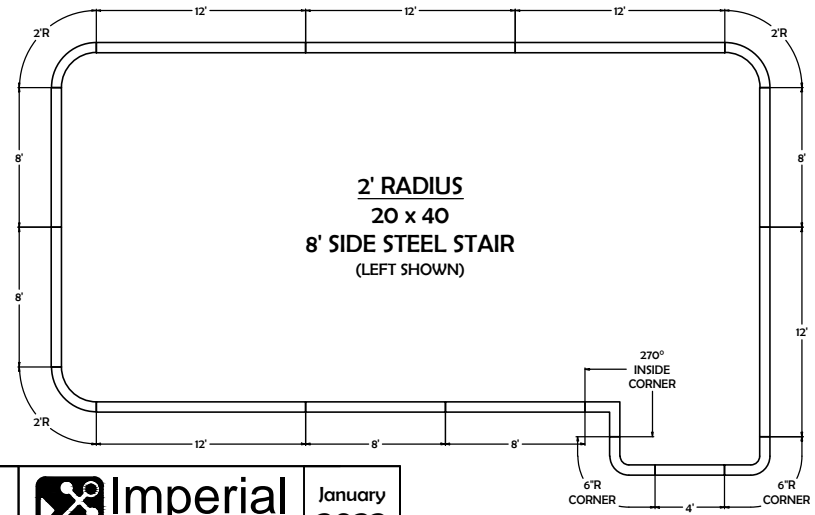
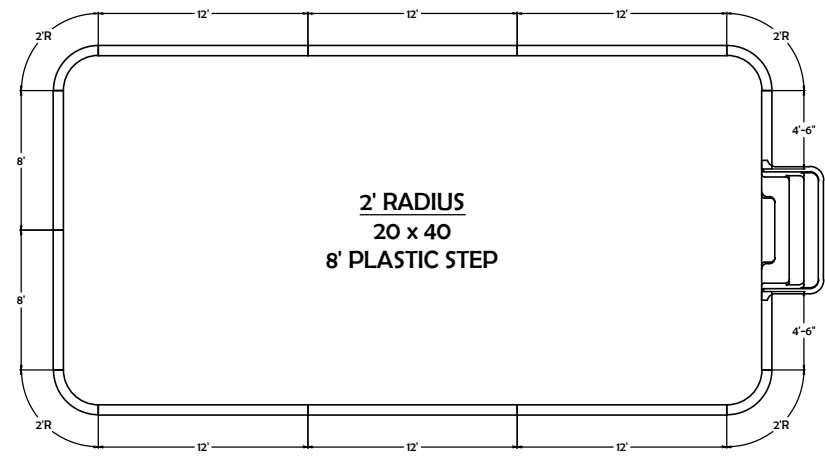
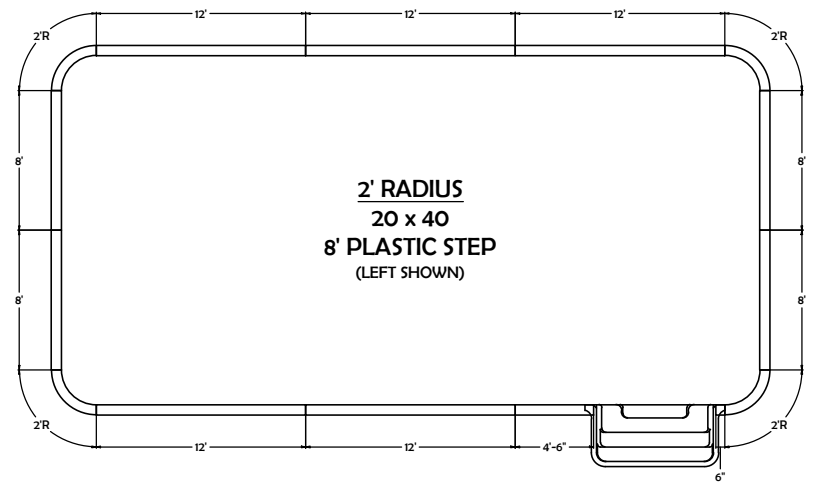
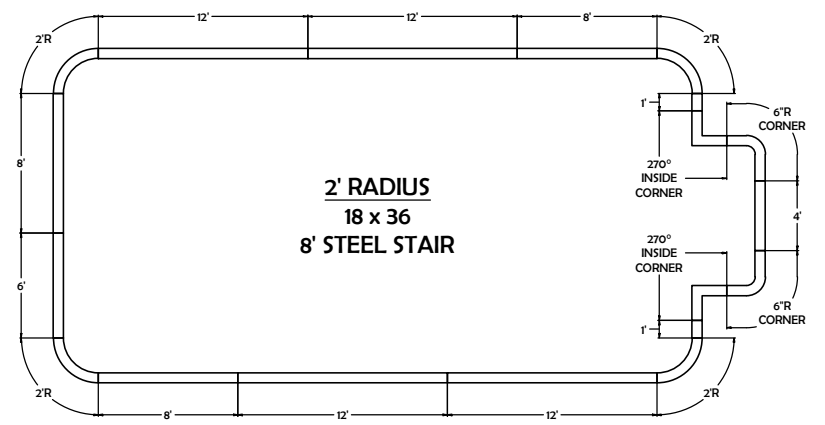
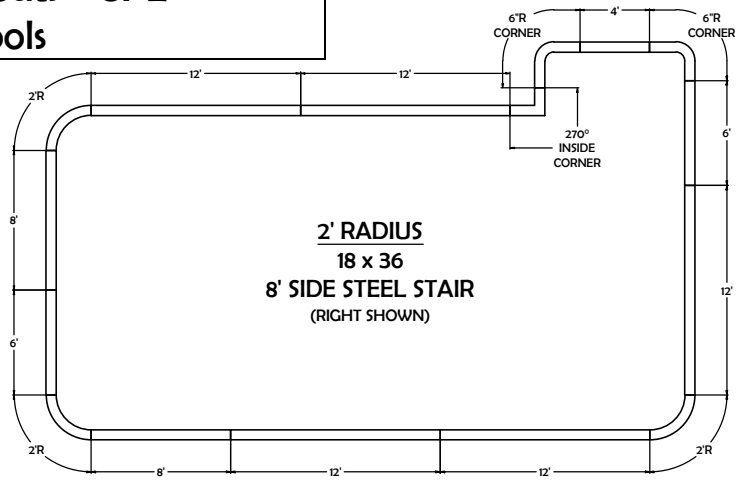


Coping Layouts - CP2
2' Radius Pools

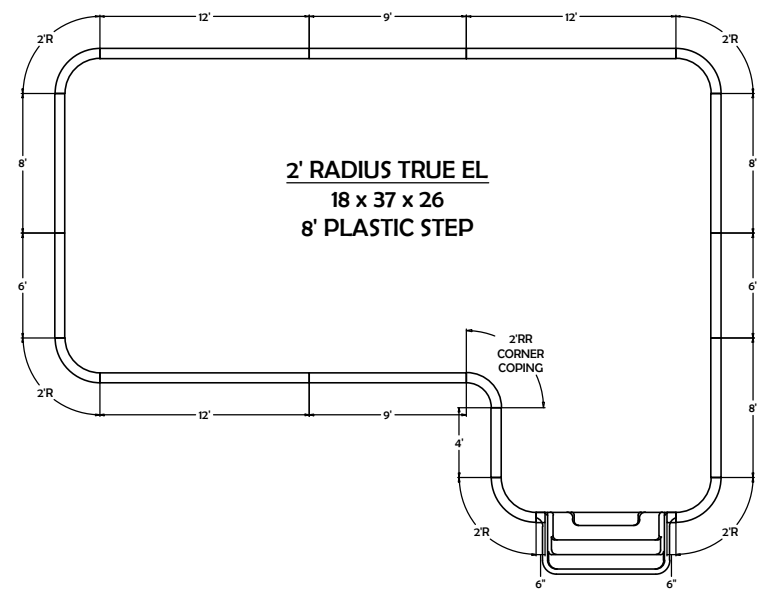
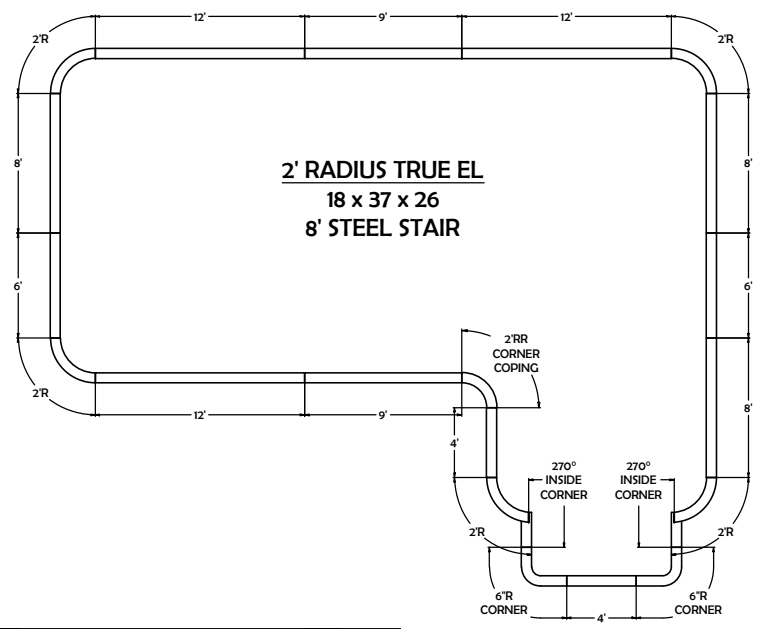
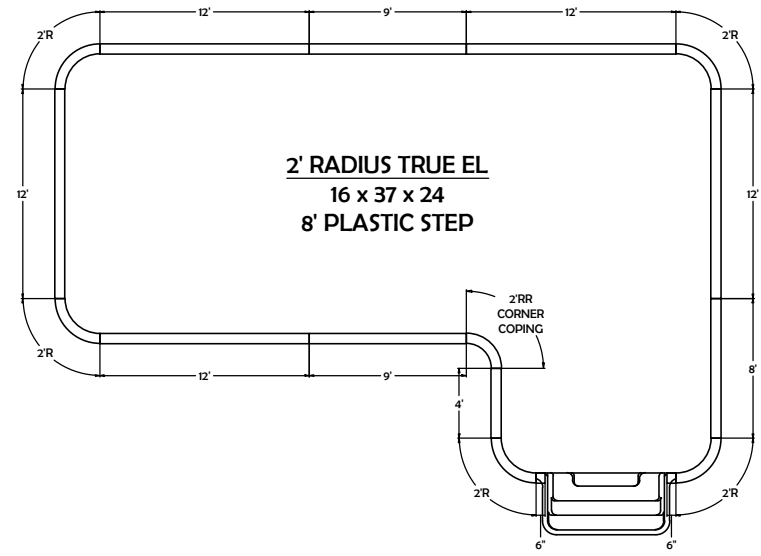
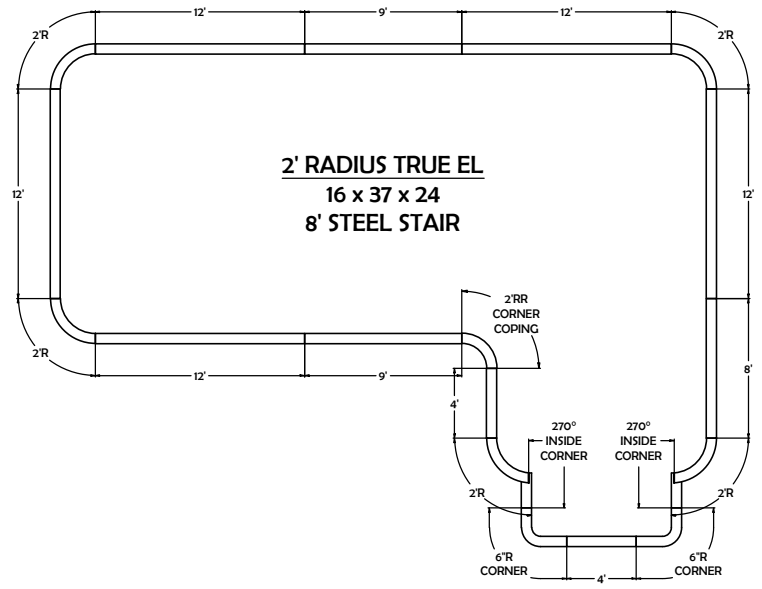


Coping Layouts - CP2

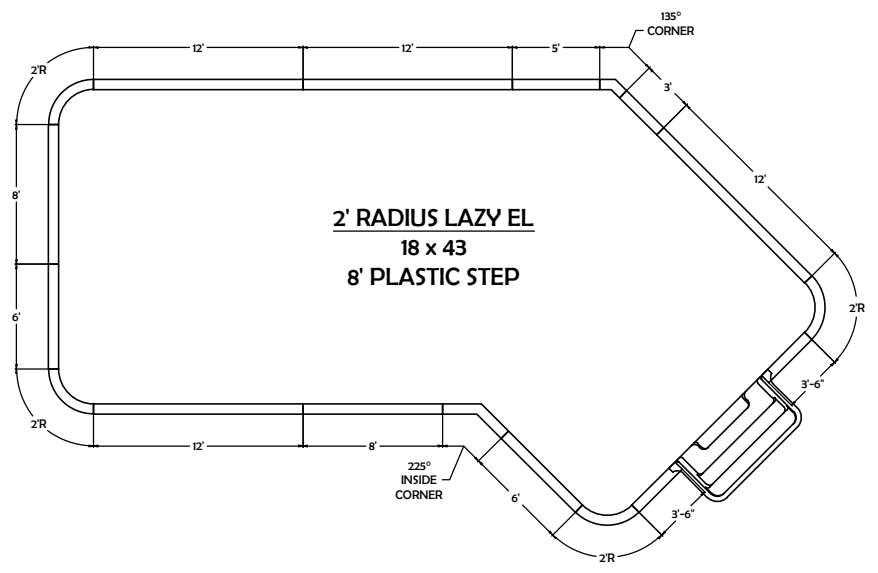
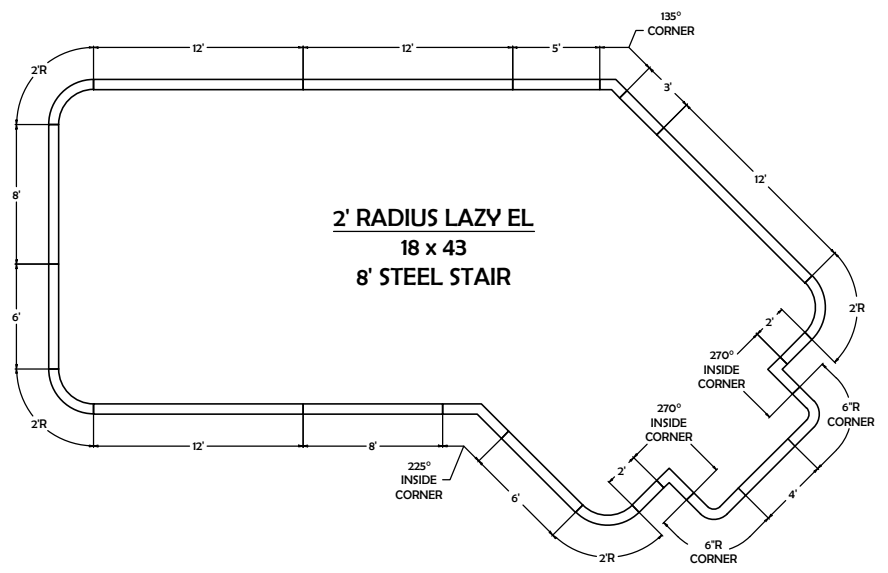
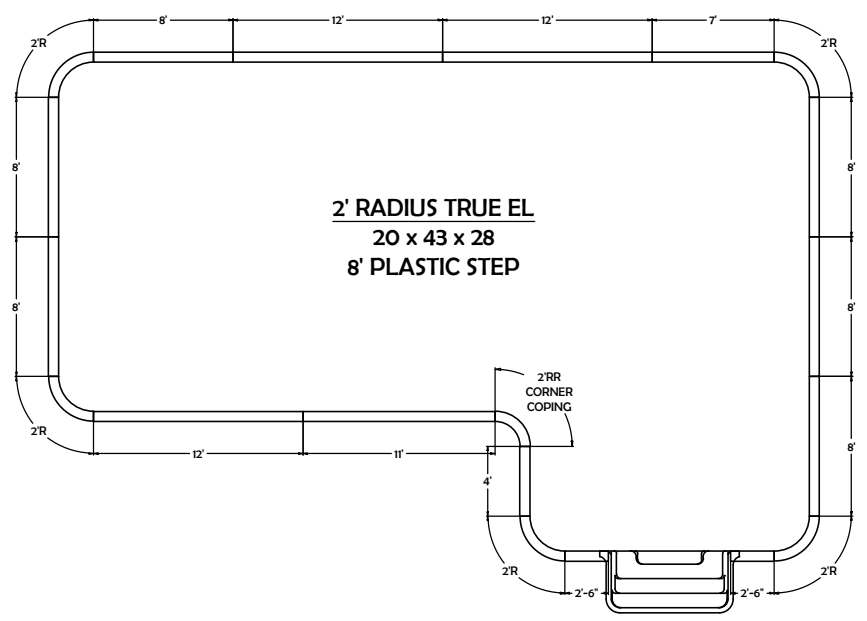
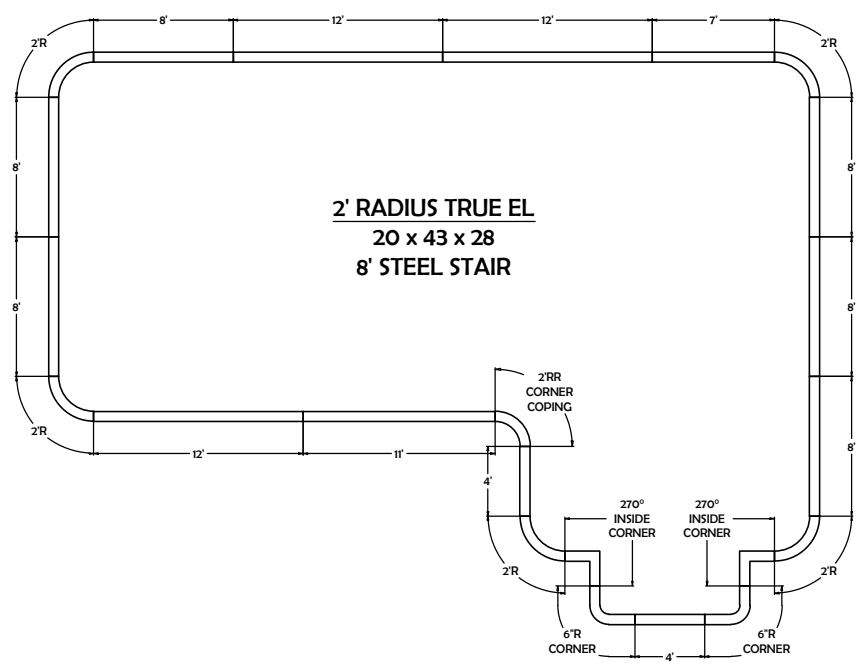
2' Radius Pools



Coping Layouts - CP2
2' Radius Pools

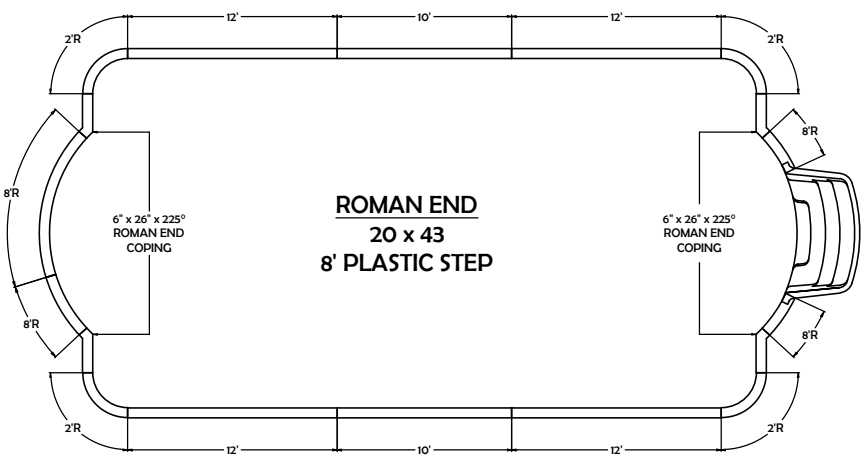
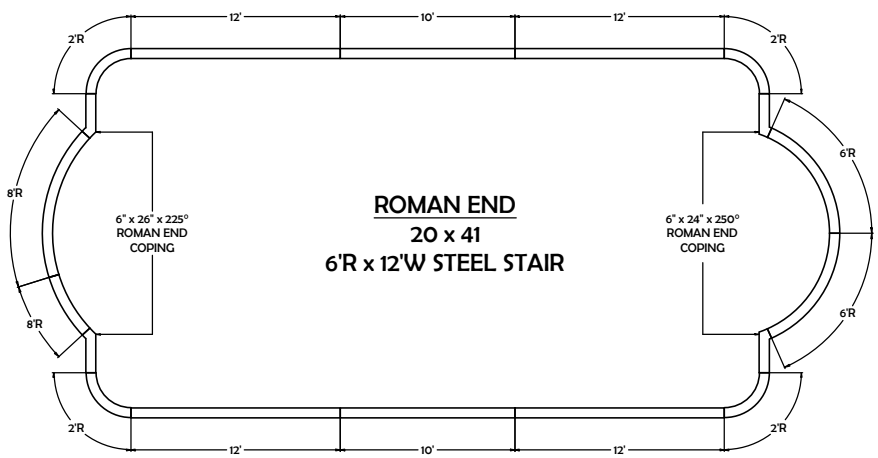
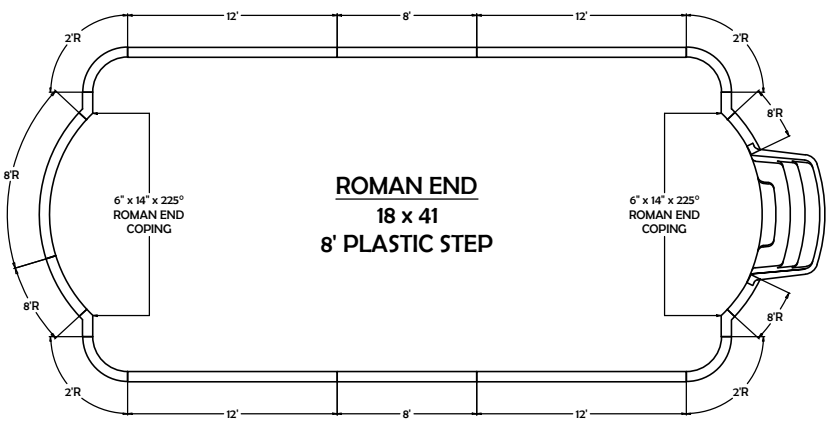
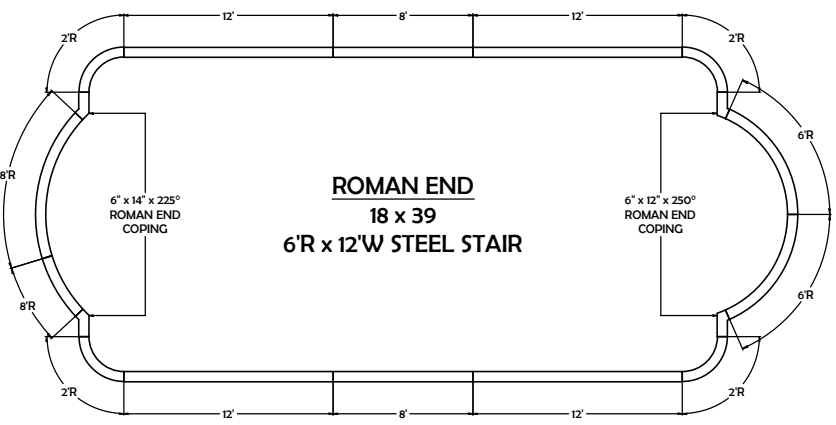
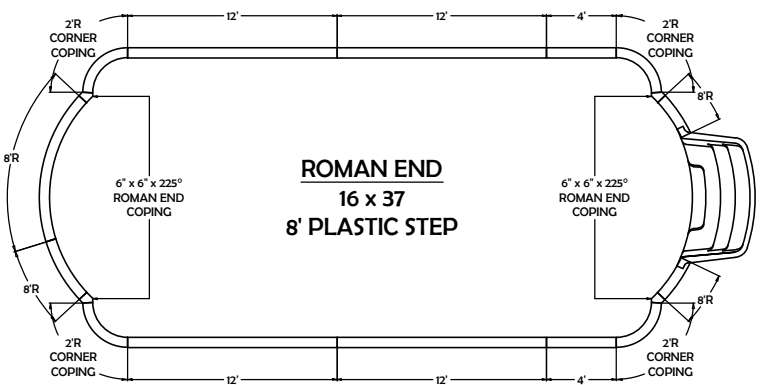
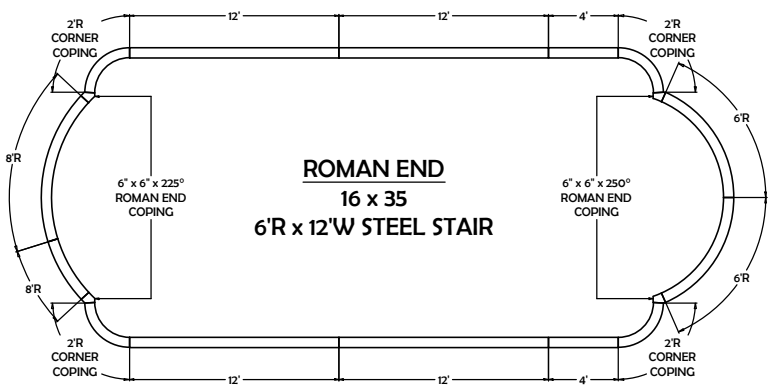


Coping Layouts - CP2
2' Radius Pools

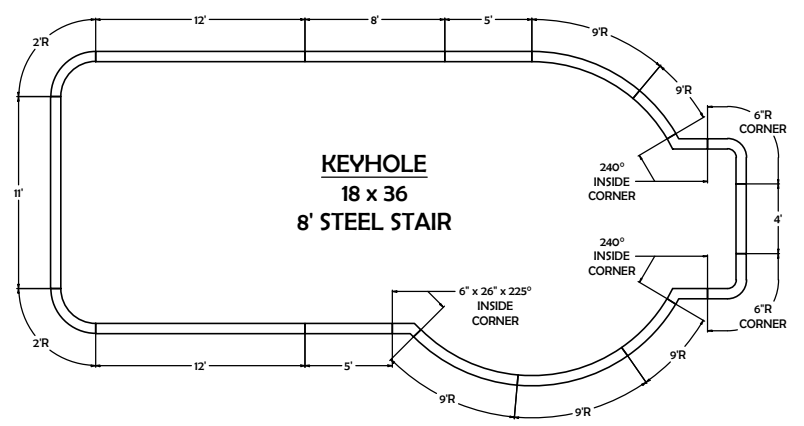
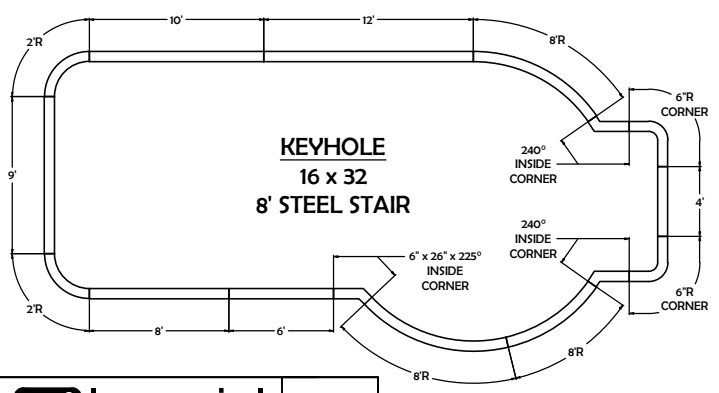
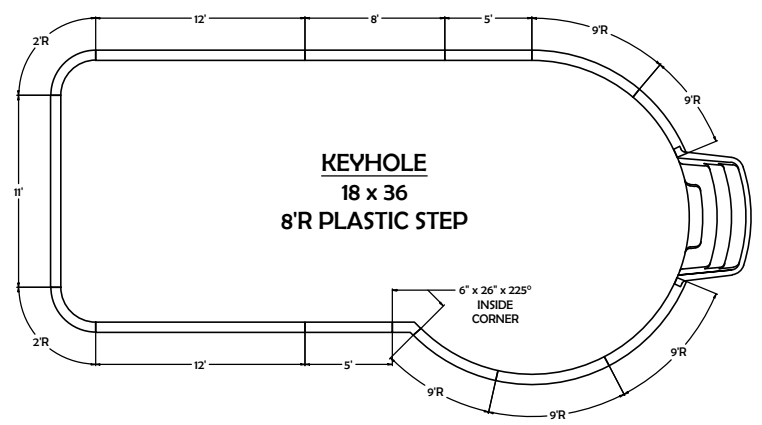
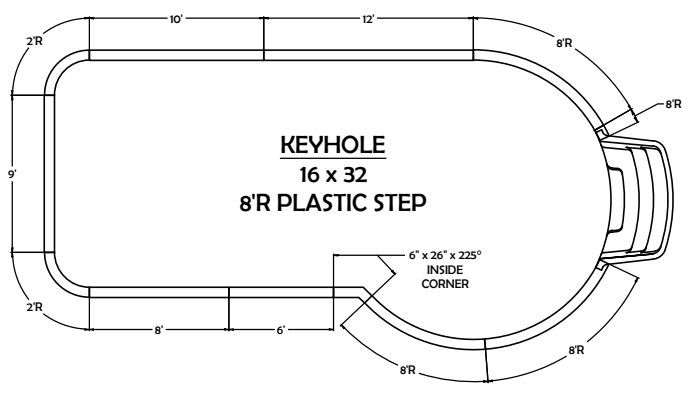
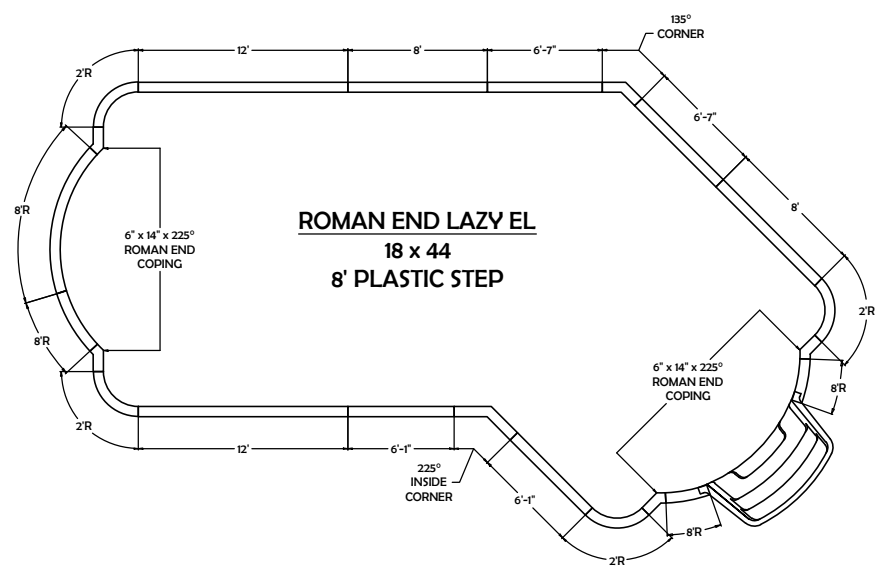
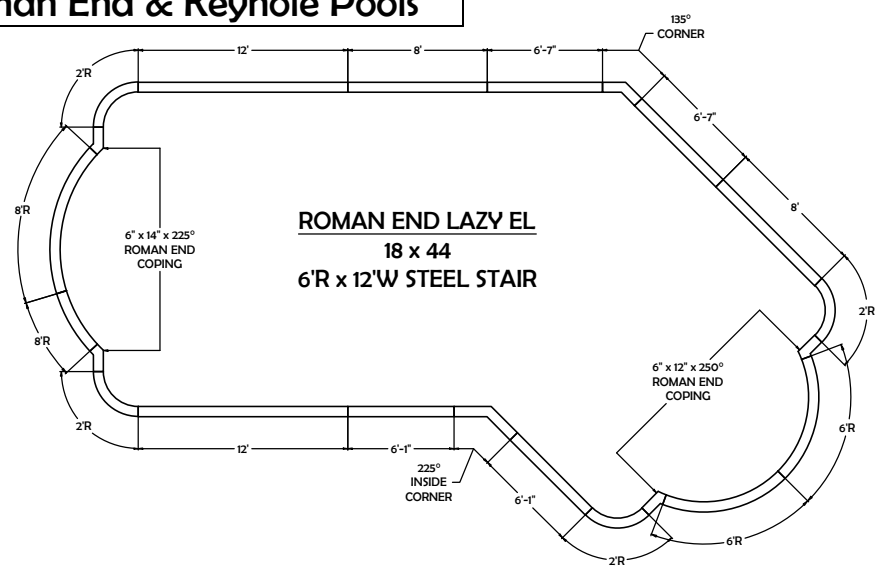


Coping Layouts - CP2

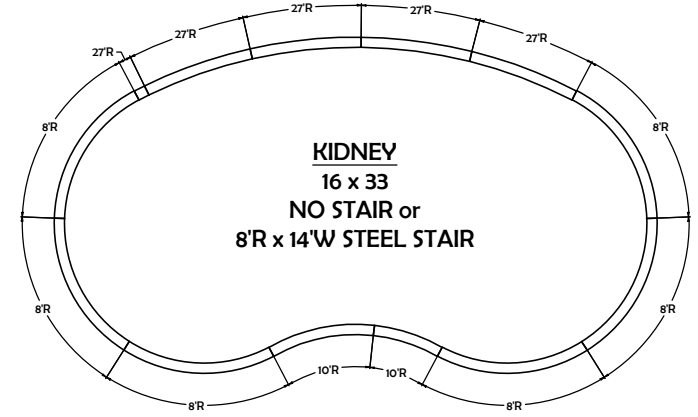
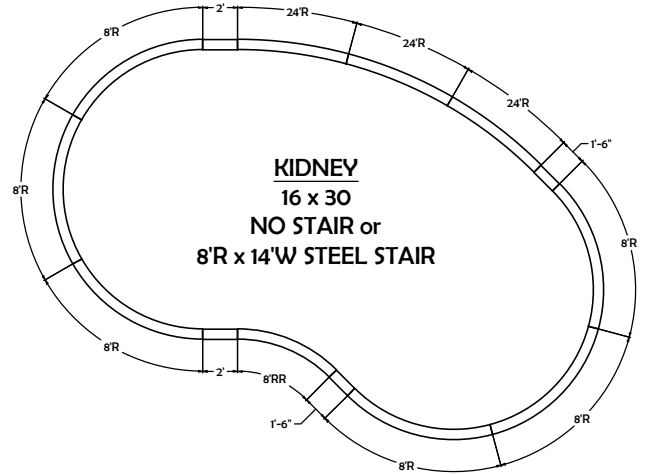
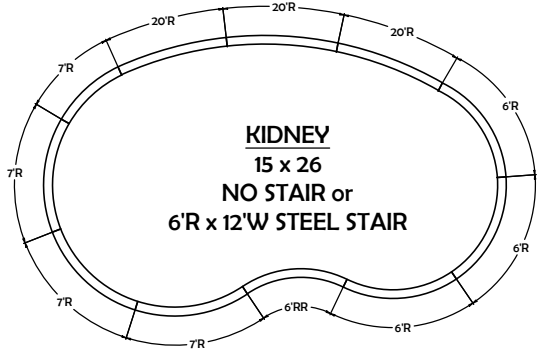
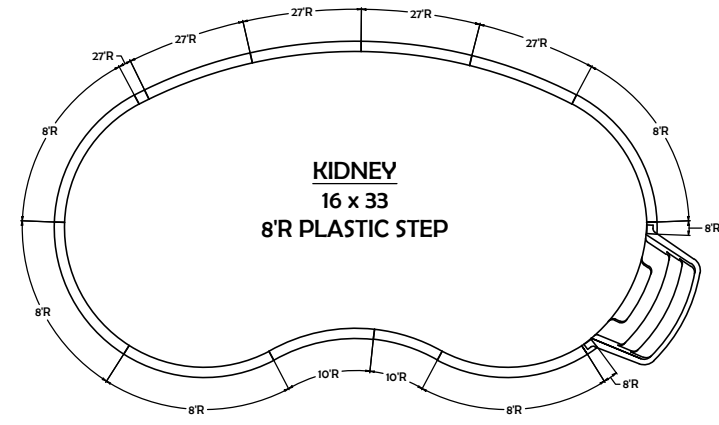
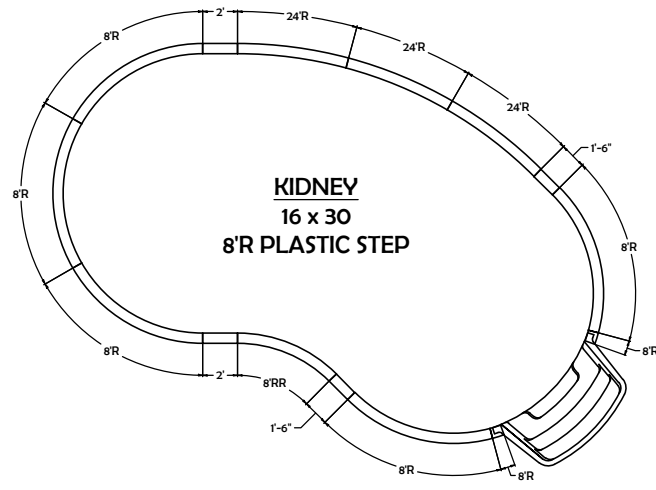
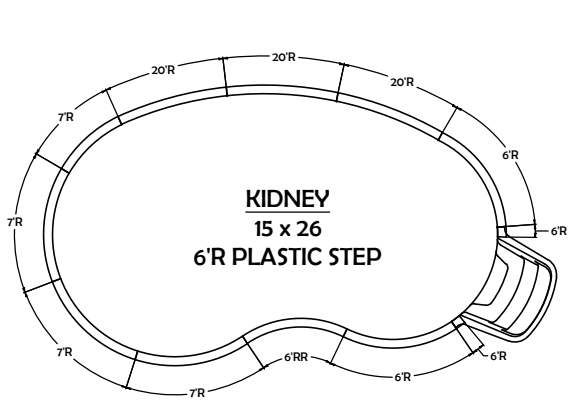
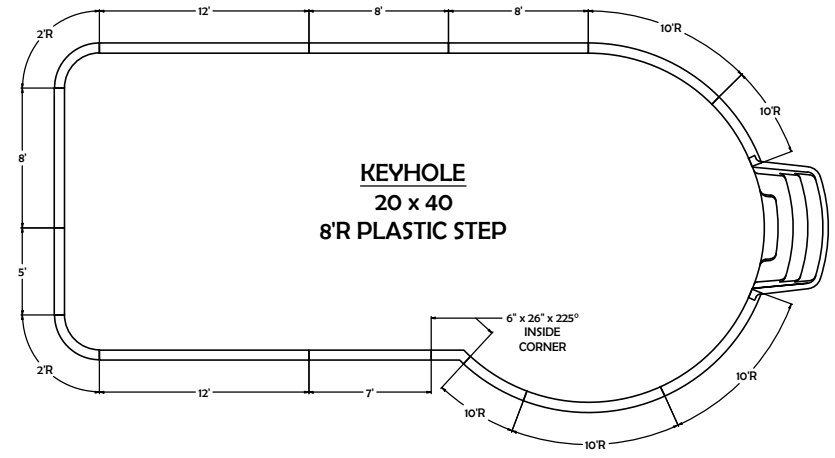
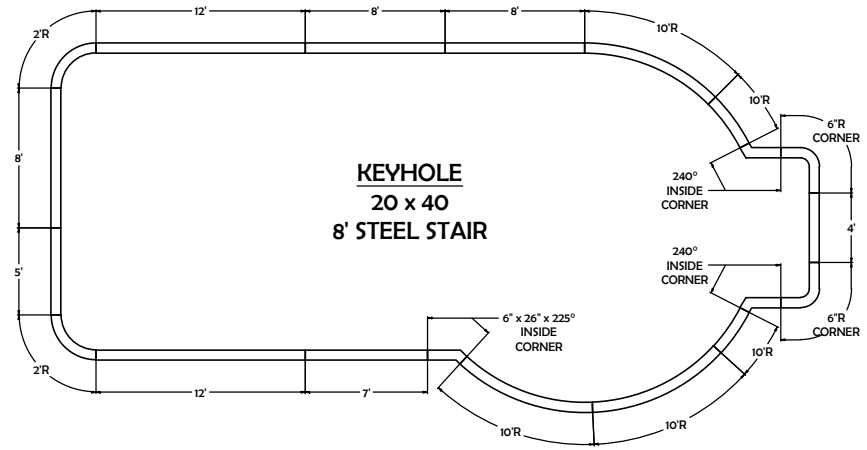
Roman End Pools



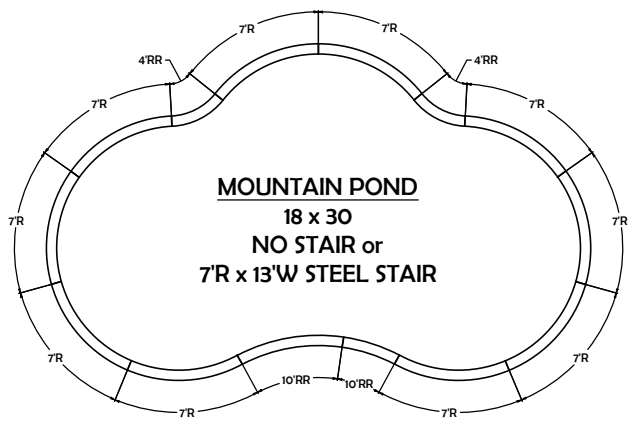
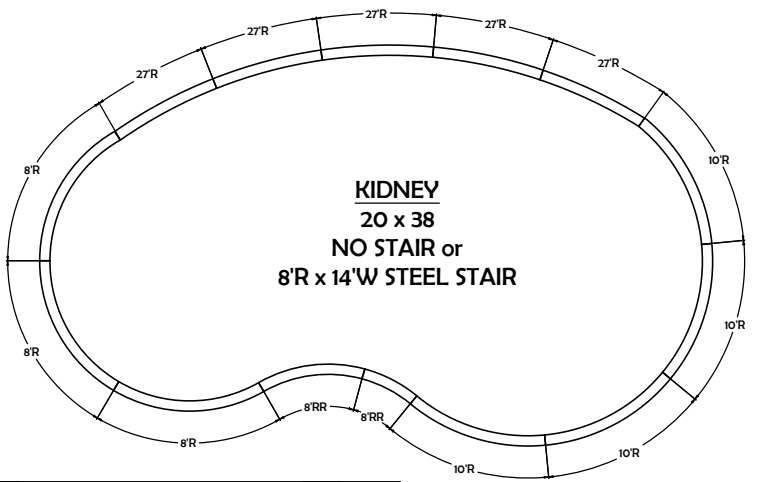
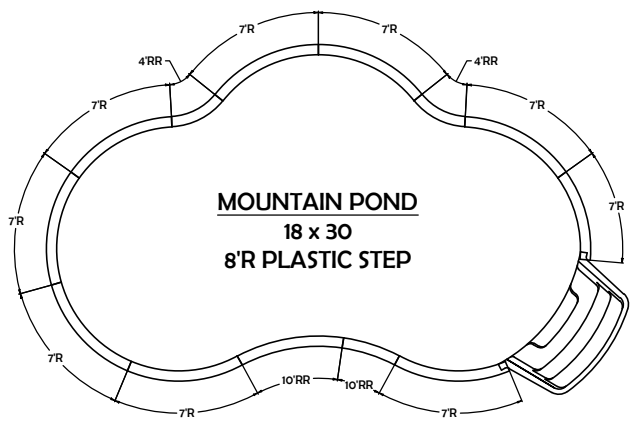
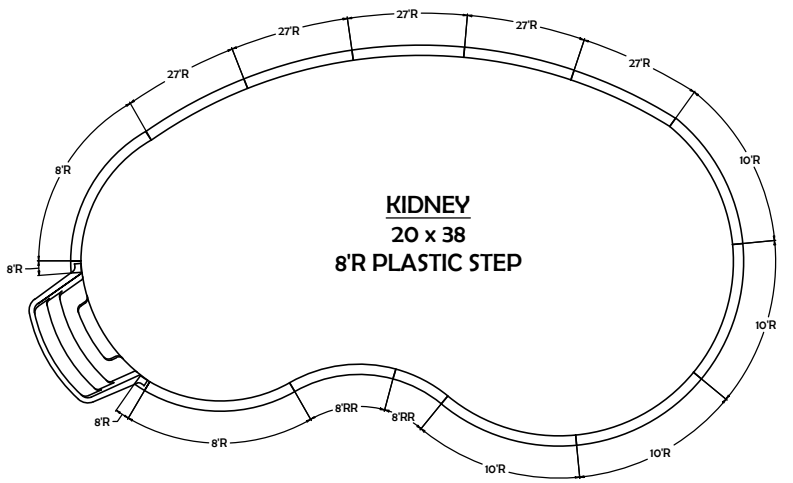
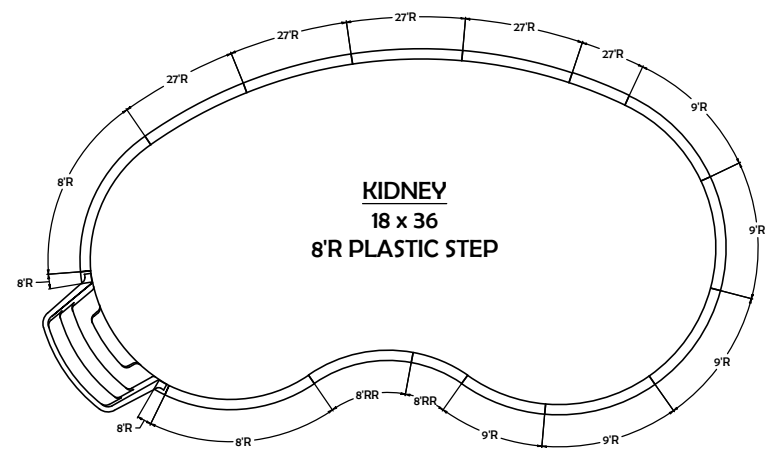
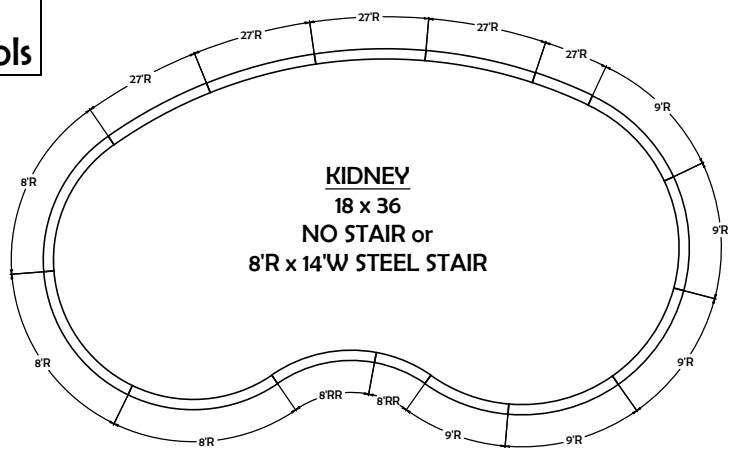
Coping Layouts - CP2
Roman End & Keyhole Pools



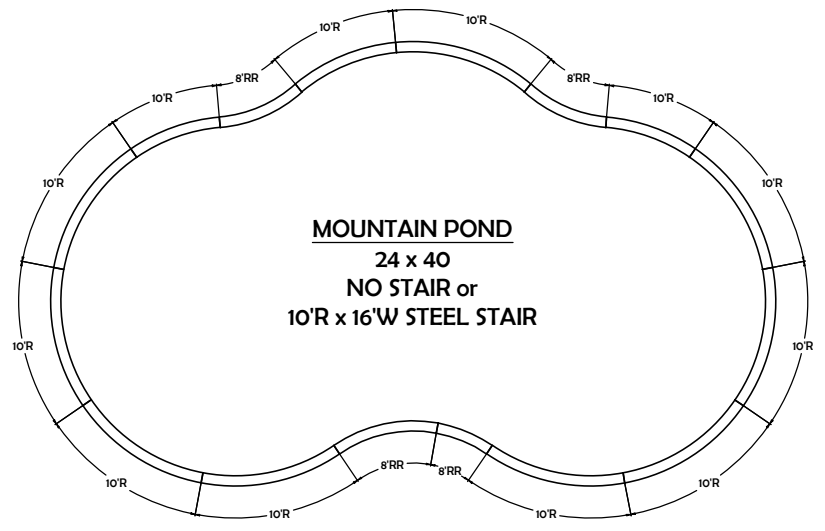
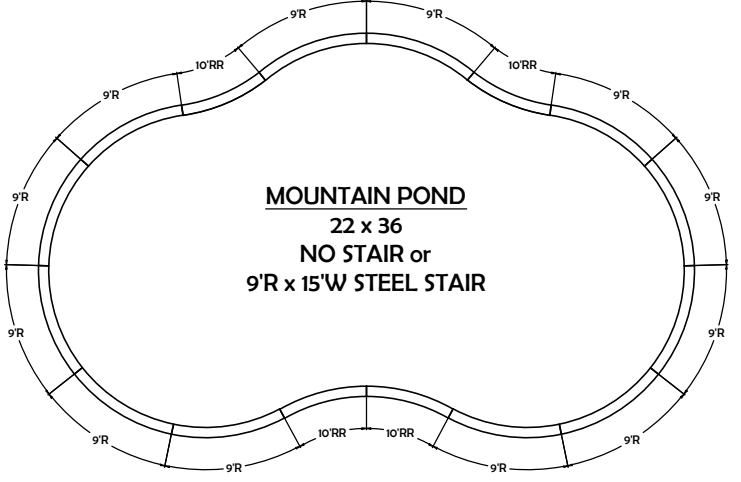
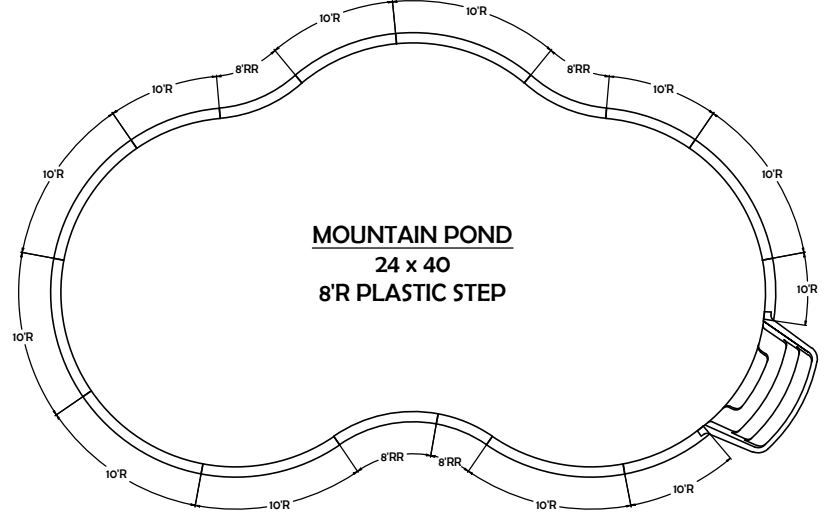
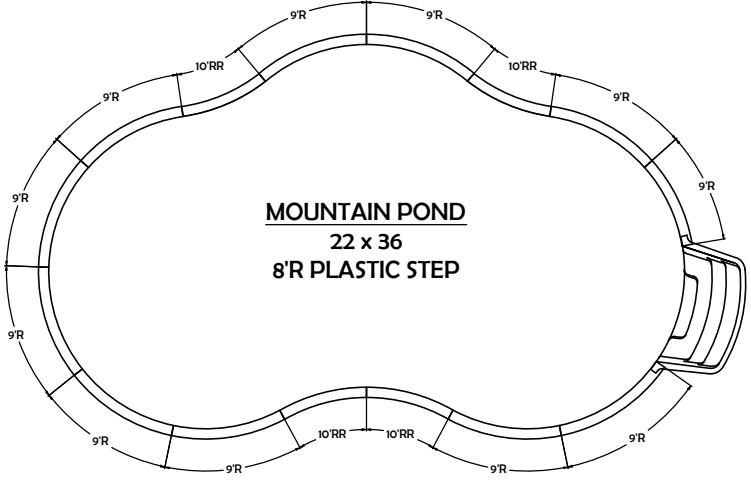
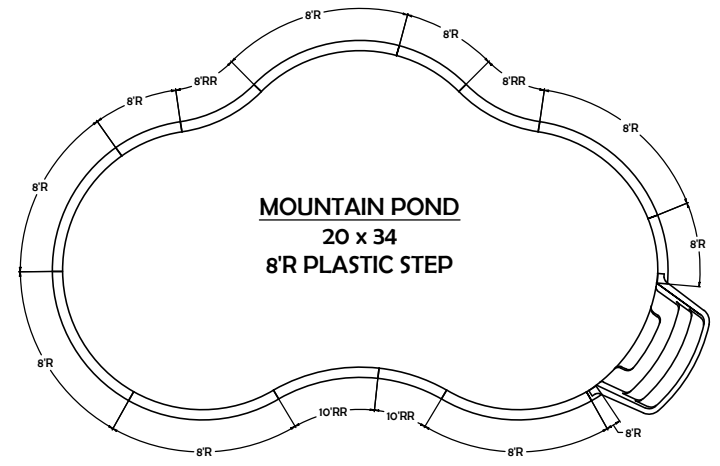
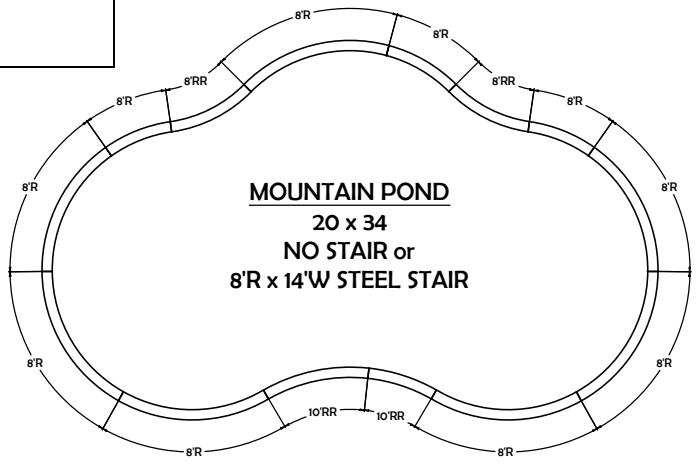
Coping Layouts - CP2
Keyhole Pools & Kidney Pools



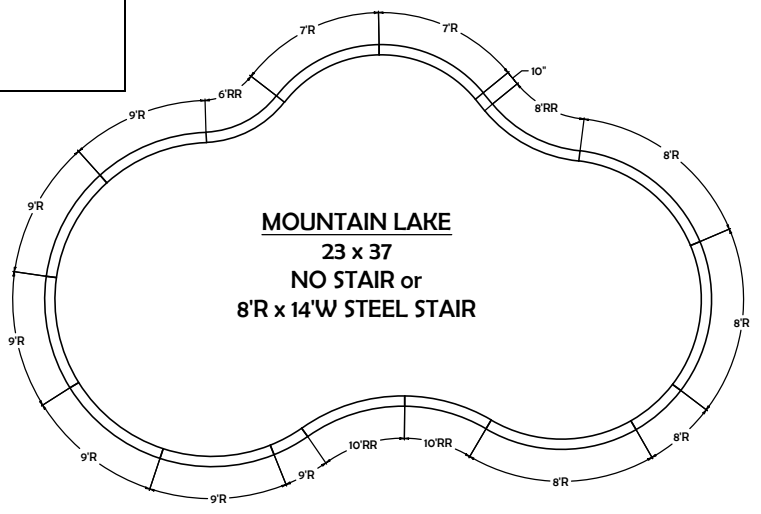
Coping Layouts - CP2
Kidney & Mountain Pond Pools



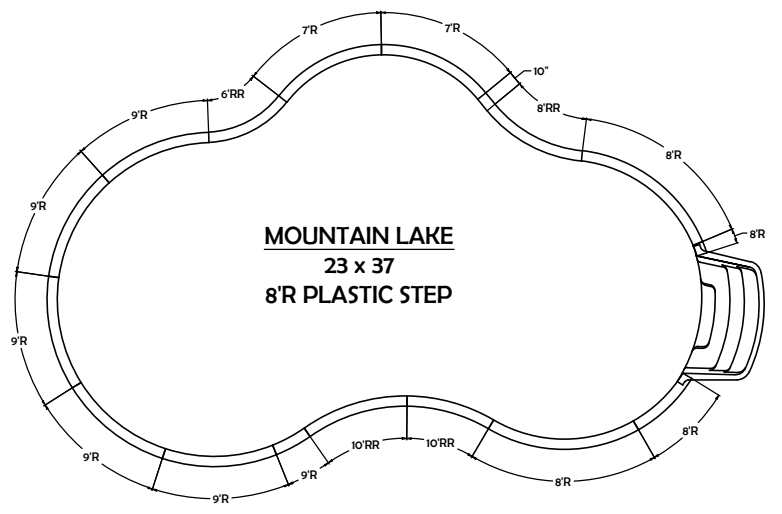
Coping Layouts - CP2
Mountain Pond Pools



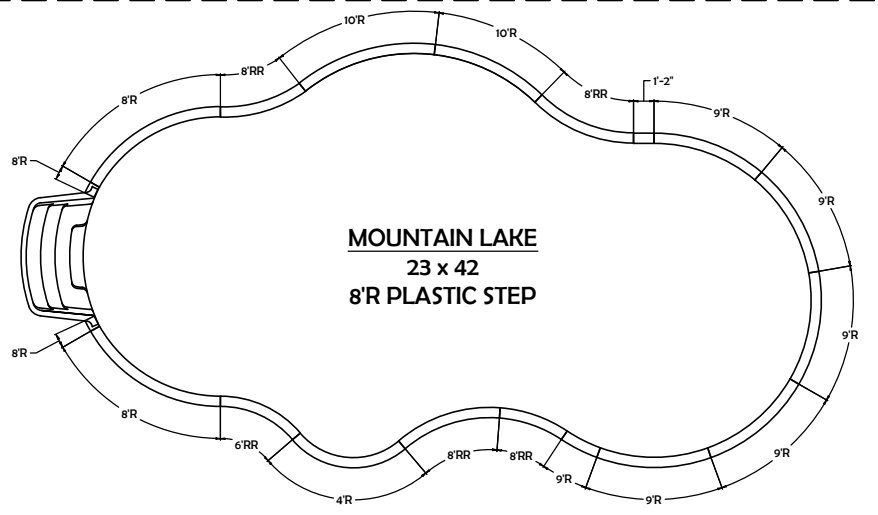
Coping Layouts - CP2
Mountain Lake Pools



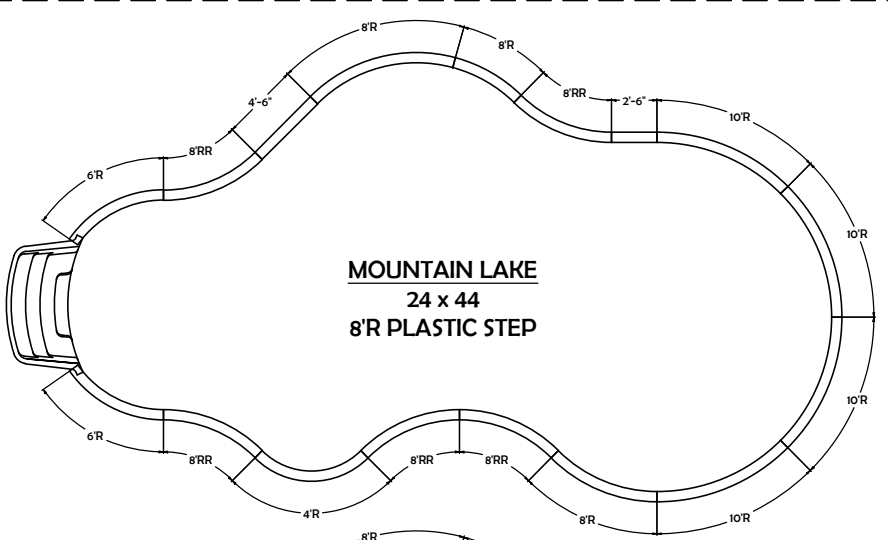
MOUNTAIN LAKE
23 x 37
NO STAIR or
8'R x 14'W STEEL STAIR



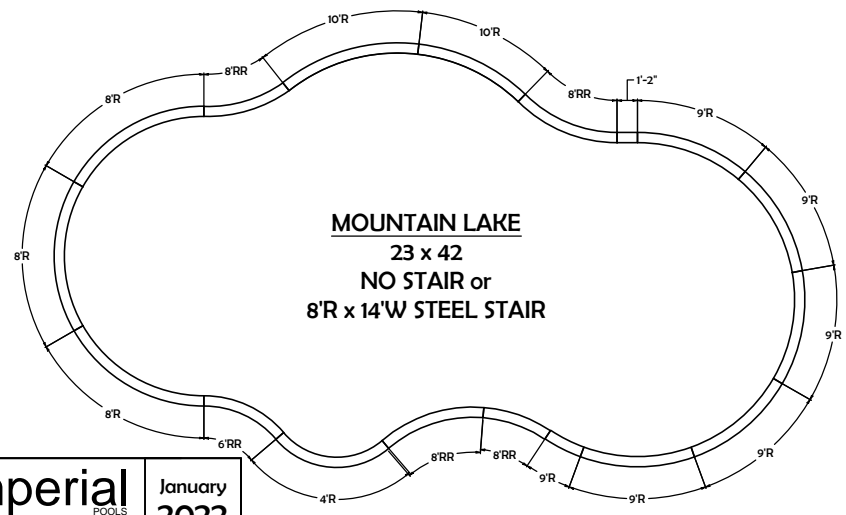
MOUNTAIN LAKE
23 x 37
8'R PLASTIC STEP



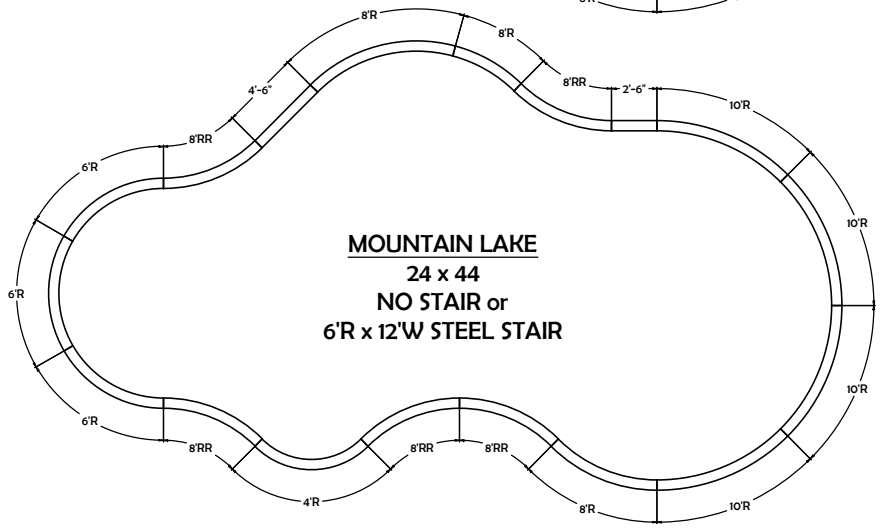
MOUNTAIN LAKE
23 x 42
8'R PLASTIC STEP



MOUNTAIN LAKE
24 x 44
8'R PLASTIC STEP

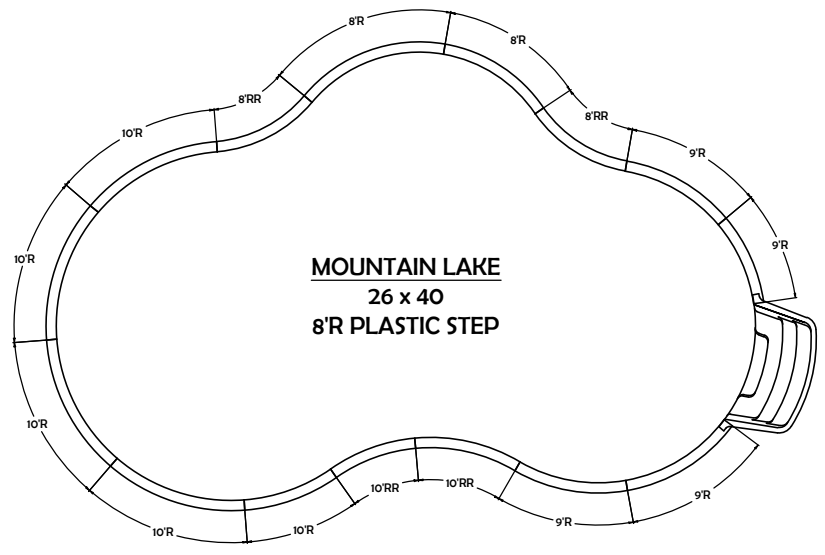


MOUNTAIN LAKE
23 x 42
NO STAIR or
8'R x 14'W STEEL STAIR

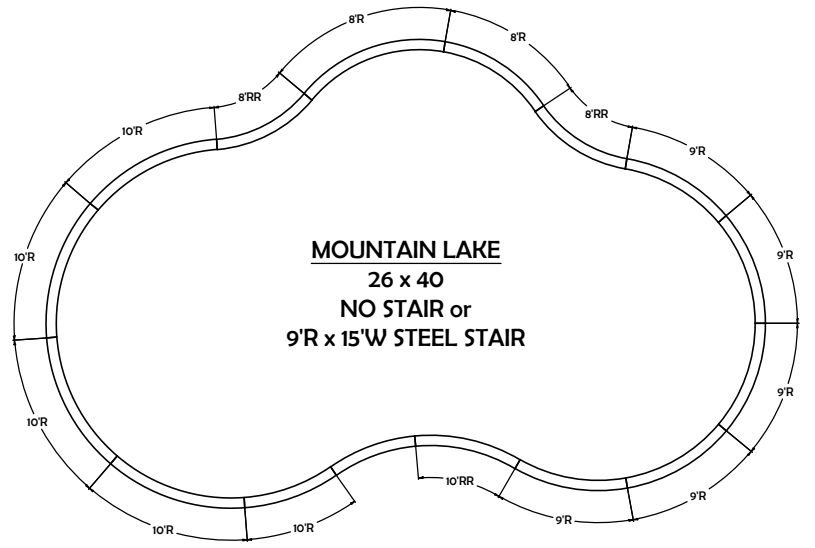


MOUNTAIN LAKE
24 x 44
NO STAIR or
6'R x 12'W STEEL STAIR

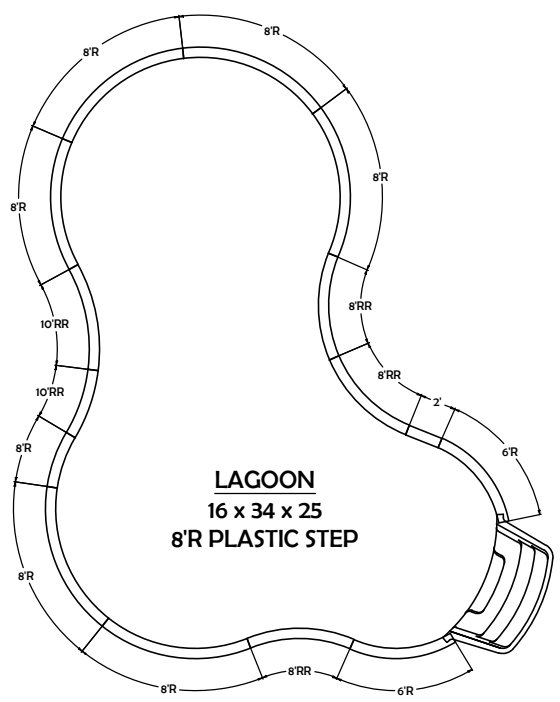
Coping Layouts - CP2
Mountain Lake & Lagoon Pools



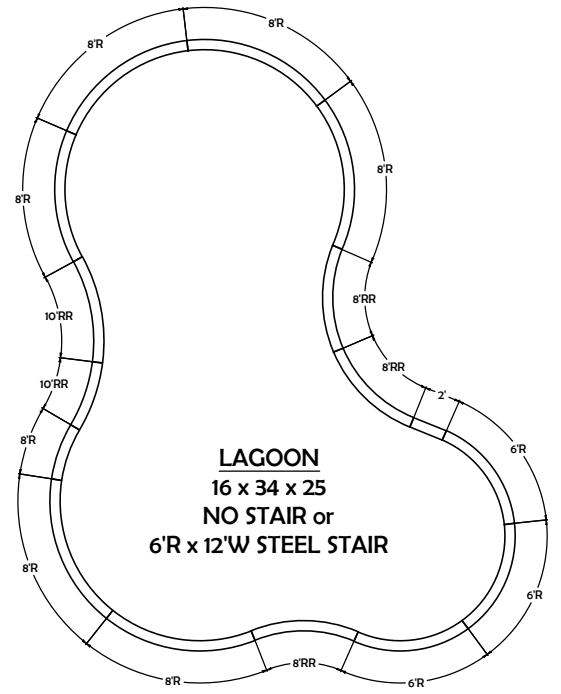
MOUNTAIN LAKE
26 x 40
8'R PLASTIC STEP



MOUNTAIN LAKE
26 x 40
NO STAIR or
9'R x 15'W STEEL STAIR

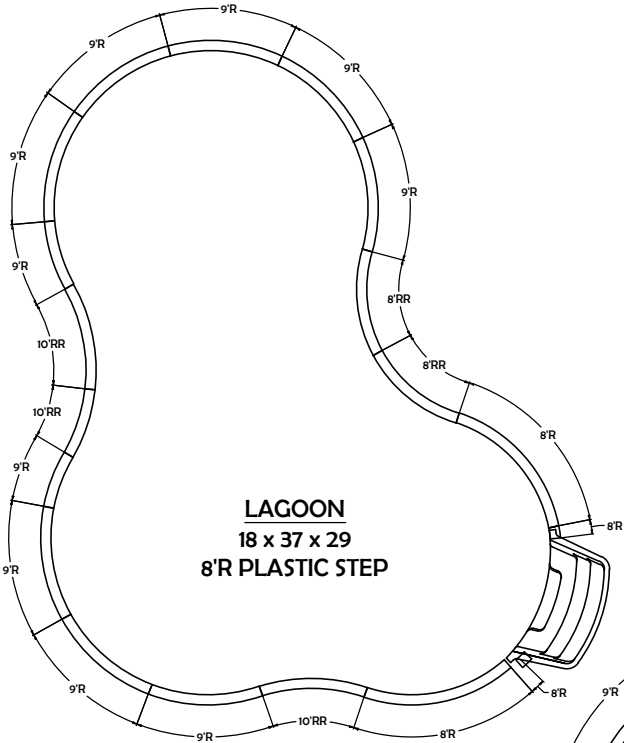


LAGOON
16 x 34 x 25
8'R PLASTIC STEP

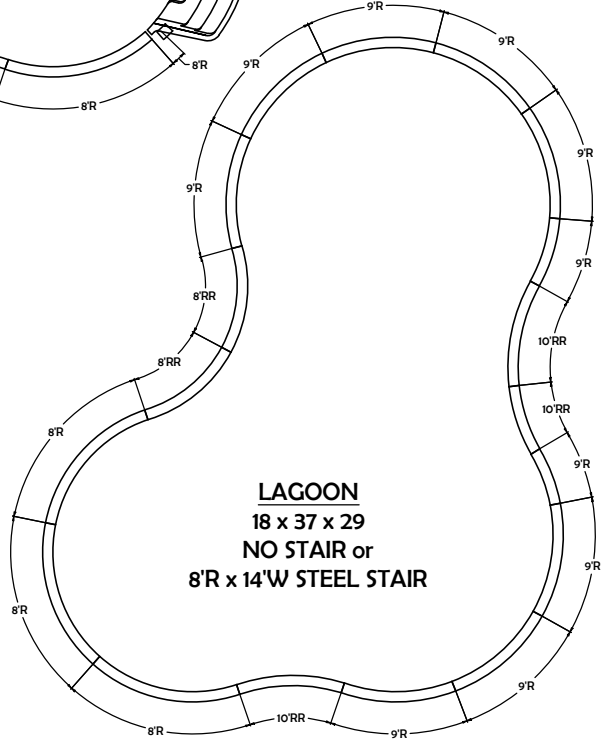


LAGOON
16 x 34 x 25
NO STAIR or
6'R x 12'W STEEL STAIR

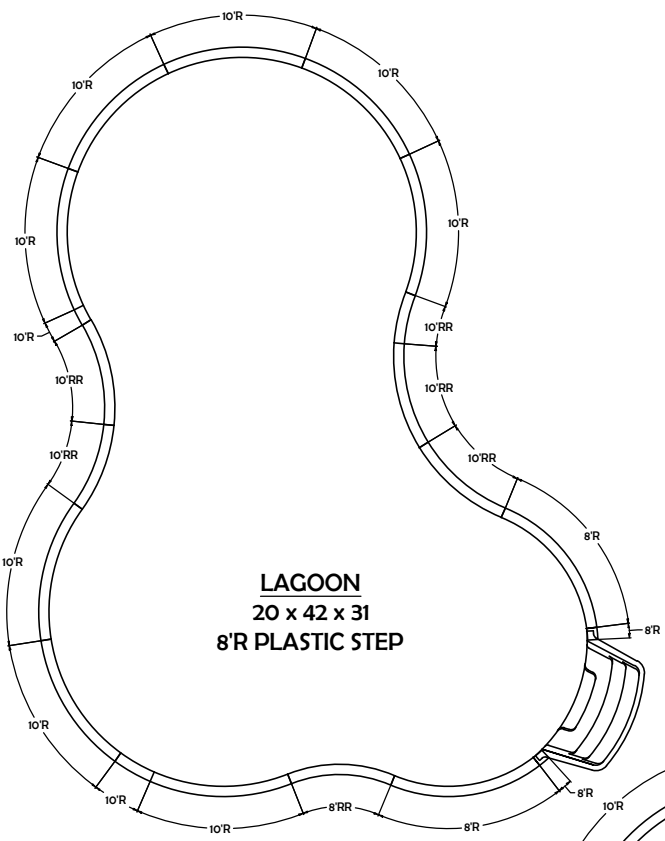
Coping Layouts - CP2
Lagoon Pools



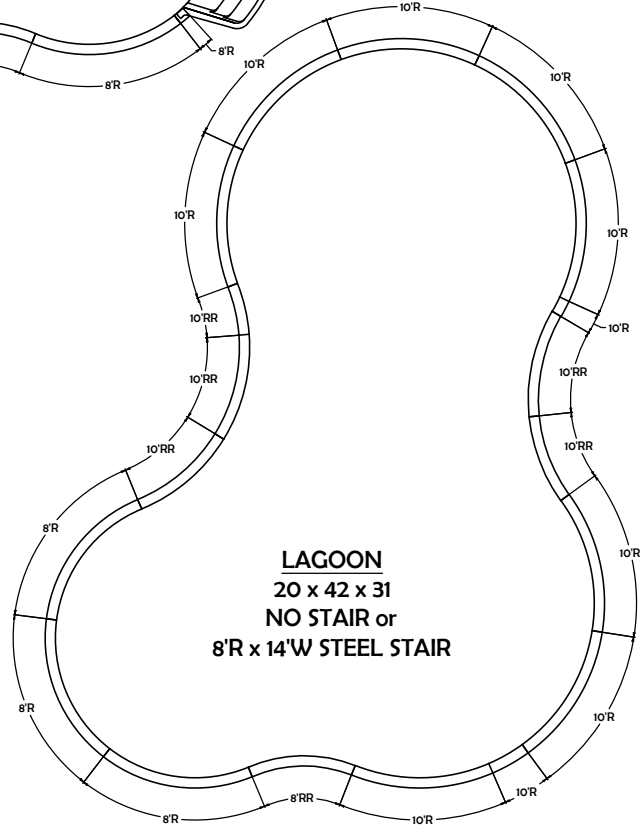
LAGOON
18 x 37 x 29
8'R PLASTIC STEP



LAGOON
18 x 37 x 29
NO STAIR or
8'R x 14'W STEEL STAIR



LAGOON
20 x 42 x 31
8'R PLASTIC STEP



LAGOON
20 x 42 x 31
NO STAIR or
8'R x 14'W STEEL STAIR



Imperial
POOLS INC.
REDEFINING ONE SOURCE

33 Wade Road | Latham, NY 12110