

LOOP-LOC[®] MEASURING FORM

DEALER INFORMATION

DEALER CODE: _____ DATE: _____

COMPANY NAME: _____

ADDRESS: _____

CITY: _____ STATE: _____ ZIP: _____

JOB NAME: _____

PO#: _____

SHIP TO: _____

ADDRESS: _____

CITY: _____ STATE: _____ ZIP: _____

ESTIMATE (Default if no box checked)

ORDER USE CREDIT CARD ON FILE

ADDITIONAL INFORMATION

For job previously submitted # _____

POOL TYPE: In-Ground On-Ground Commercial Stock ID# _____

IF NO SPECIFIC COVER TYPE IS CHOSEN LOOP-LOC'S MAIN QUOTE WILL BE FOR LOOP-LOC II SUPER DENSE MESH GREEN

SUPER DENSE MESH SAFETY COVERS

SUPER DENSE MESH GREEN

SUPER DENSE MESH DESIGNER COLOR: BLACK BLUE GRAY TAN

ULTRA-LOC III SOLID SAFETY COVERS

WITH MESH DRAINS

NO DRAINS WITH AUTOMATIC COVER PUMP

ULTRA-LOC SOLID GREEN

ULTRA-LOC SOLID DESIGNER COLOR: BLUE GRAY TAN

(No Drains, Loop-Loc's Automatic Cover Pump must be purchased at an additional cost to be considered as a Safety Cover)

AQUA-XTREME MESH SAFETY COVERS

AQUA-XTREME MESH HUNTER GREEN

AQUA-XTREME MESH COLOR: SAPPHIRE NAVY MOJAVE BROWN STEEL GRAY

REPLACEMENT COVER

SPECIAL RECTANGLE (approximate 3' sections)

HARDWARE REQUIRED

Brass Anchors

*Wood Deck Anchors

*Stainless Steel Anchors

*Brass Masonry Anchor Collars

*On-Ground Bracket

*Stainless Steel Masonry Anchor Collars

_____ *9" Pipe w/ Brass Anchor

*Commercial Springs

_____ *15" Pipe w/ Brass Anchor

*Deck-Loc Anchors (for composite decks)

* Upcharge

Only Use This Section If Extra Hardware is Required

Please note any additional hardware with quantities here: _____/_____/_____/_____

Loop-Loc
390 Motor Parkway
Hauppauge, NY 11788



1-800-562-5667 Fax: 631-582-2636
Email: sales@looploc.com www.looploc.com

Please supply the name and address
of consumer to be entered into our
warranty database.

Name: _____

Address: _____

City: _____

State: _____ Zip Code: _____

COMPANY NAME: _____ JOB NAME/P.O.#: _____

Pool Type: Inground Onground Manufacturer _____ *show varying deck sizes on sketch

Corner Type: Square _____ Radius Dimension _____ Diagonal Length _____

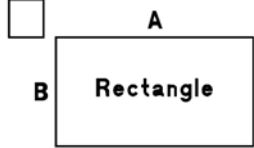
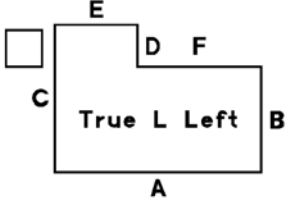
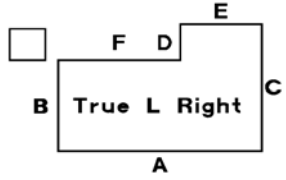
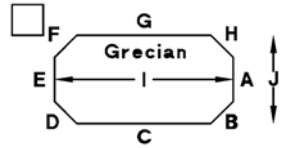
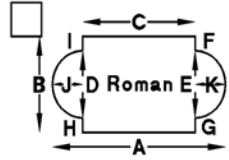
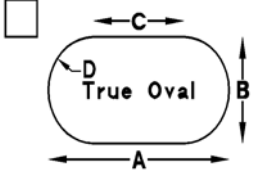
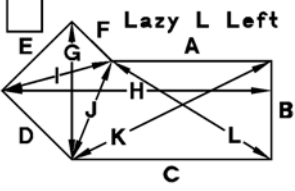
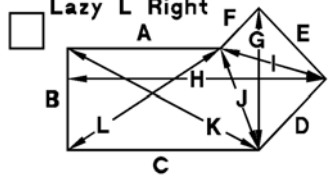
Are cut corners wanted? Yes No Obstructions? Yes No

*cuts req'd for radii 4'+ and diagonals 3'+

*Locate obstructions on sketch & submit question page

Sketch of pool showing varying deck levels & any obstructions

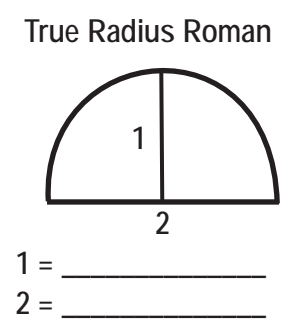
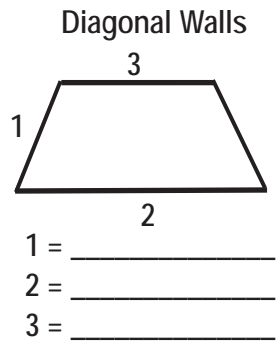
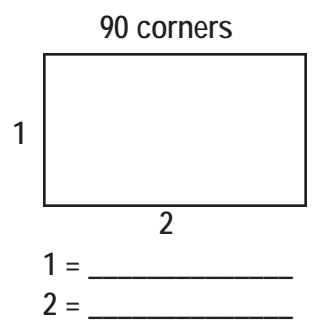
Please check appropriate box to indicate correct pool shape:

 **Rectangle**
  **True L Left**
  **True L Right**
  **Grecian**
  **Roman**
  **True Oval**
  **Lazy L Left**
  **Lazy L Right**

• If J or K are greater than 6' must be a Formfit
 • Minimum 4'-0" Deck

	A	B	C	D	E	F	G	H	I	J	K	L
Rectangle												
TrueL												
Grecian												
RomanEnd												
True Oval												
LazyL												

STEP or SWIMOUT: Note: Oval Pools - A-B must be done if step not centered or if there are obstructions.
 Roman Pools - sketch must be done showing step location.



STEP LOCATION: Centered: Yes - specify which wall step is located on _____
 No - show location & offset on sketch on top.

****If you have more than one step please provide detailed sketch with all dimensions and locations****

COMPANY NAME: _____ JOB NAME/P.O.#: _____

A		B		A		B		A		B		A		B	
1				21				41				61			
2				22				42				62			
3				23				43				63			
4				24				44				64			
5				25				45				65			
6				26				46							
7				27				47							
8				28				48							
9				29				49							
10				30				50							
11				31				51							
12				32				52							
13				33				53							
14				34				54							
15				35				55							
16				36				56							
17				37				57							
18				38				58							
19				39				59							
20				40				60							

REQUIRED INFORMATION!

POINT TO POINT CROSS DIMENSIONS

PT. _____ to PT. _____	PT. _____ to PT. _____
Distance = _____	Distance = _____
PT. _____ to PT. _____	PT. _____ to PT. _____
Distance = _____	Distance = _____

DECKING INFORMATION

Deck Width (including coping) _____
 indicate areas less than 3' on sketch

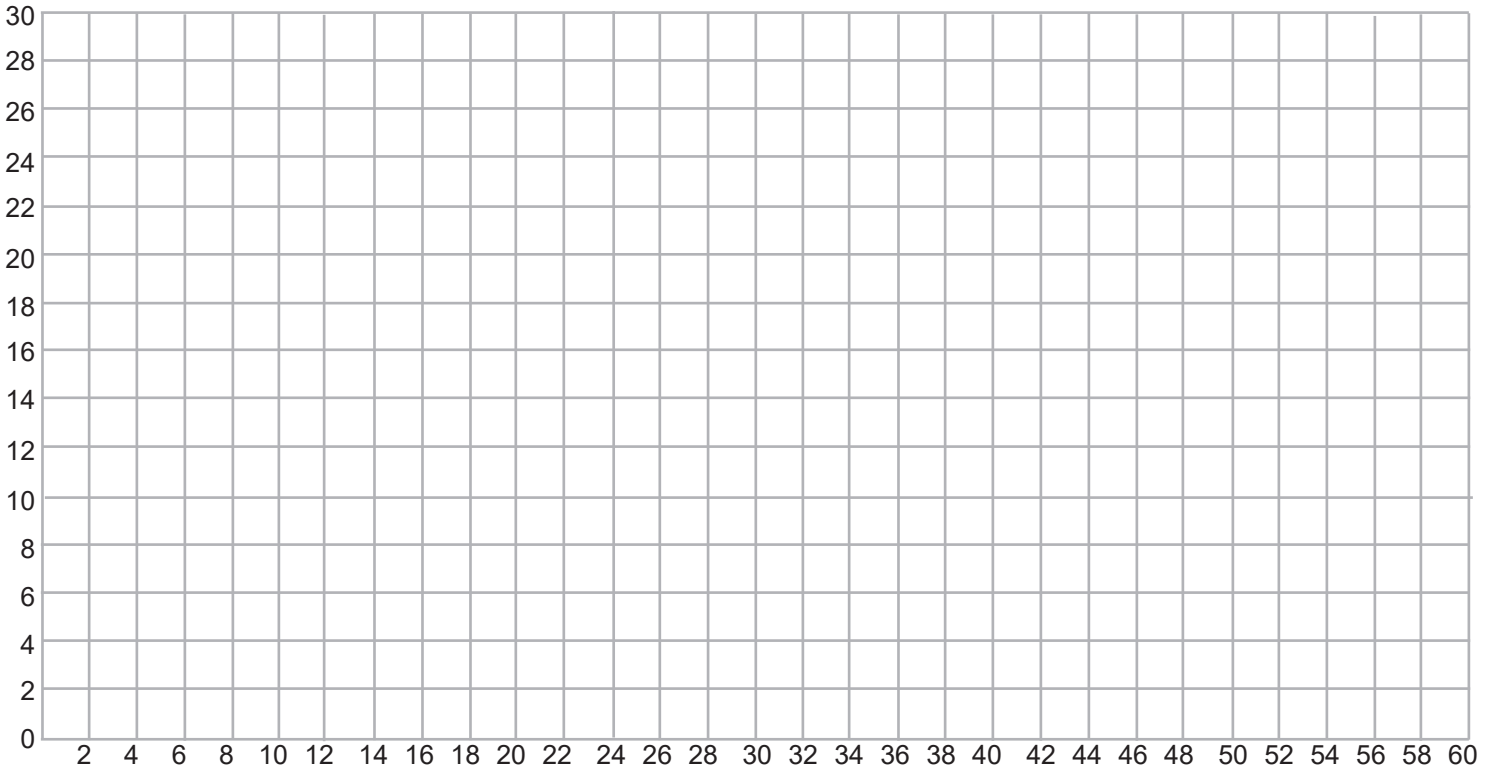
Loop-Loc Pipes Wanted For Entire Cover? YES NO

POOL TYPE

Gunite Package Manufacture _____

What Is Corner Radius? _____
 What Is Diagonal Corner Length? _____
 Do You Want Cut Corners? YES NO
 (cuts req'd for radii greater than 4' and diagonal greater than 3')

A-B LINE MUST BE 3' BACK FROM POOLLINE • PROVIDE INSIDE POOL DIMENSIONS INCLUDING STEP SIZE AND LOCATION • SHOW LOCATION OF POINTS "A" & "B" IN RELATION TO POOL • SHOW ALL OBSTRUCTIONS & PLANTERS • SHOW AREAS WHERE DECK IS LESS THAN 3' FROM WATERLINE TO OUTSIDE OF DECK INCLUDING COPING



**** DISTANCE FROM POINT "A" TO POINT "B" = _____ Ft. _____ In. ****

"A-B" Measurements cannot be used unless this distance is given! Distance should be at least 2/3 the length of the pool.

Contact: _____

Dealer/Company Name: _____

Job Name:/P.O.#: _____

Phone# _____ Fax# _____

OBSTRUCTIONS:

CHECK ONE YES NO

- 1. Are there any **non-removable** handrails, grabrails, or ladders?... YES NO
 - a. "A-B" dimensions are required to front center of all rails, blocks, cups, and to the points where rails dip below coping.
 - b. Distance rails extend into pool _____
Distance rails are set back from pool _____
Type of grabrail: Rail Concrete block/Anthony type
- 2. Are there any raised rail sockets?..... YES NO
 - a. "A-B" measure front center of socket.
 - b. Height of sockets _____ (3" or higher require cutout.)
- 3. Are there any grab rocks?..... YES NO
 - a. If yes, **PHOTO REQUIRED**.
"A-B" front center of each grab rock, and provide width of each.
 - b. Width of each grab rock. _____
Distance grab rocks are set back from pool _____
- 4. Is there a **non-removable** fillspout?..... YES NO
 - a. "A-B" dimensions needed for start and end of pipe.
 - b. Fillspout is: Level with deck Raised
If raised, how high? _____
Distance set back from pool _____
 - c. Is end of spout below coping?..... YES NO
Distance into pool _____
Distance below coping level _____
- 5. Is there a dive stand?..... YES NO
 - Distance set back from pool _____ (A-B if closer than 2')
 - a. Is diving board removable?..... YES NO
 - b. Is LOOP-LOC Dive Stand Kit required?..... YES NO
- 6. Is there a dive rock?..... YES NO
 - a. If yes, **PHOTO REQUIRED**.
"A-B" the sides and front of rock, as well as the pool wall, using 1' intervals. PT. #'s _____
 - b. Distance rock overhangs pool edge _____
Distance rock extends below deck level _____
 - c. Height of rock _____
- 7. Are there slide legs within 2' of pool?..... YES NO
 - a. If yes, give "A-B" dimensions to each leg, and give the distance each is set back from pool edge.

SPA INFORMATION: PHOTOS REQUIRED

- 8. Is there a spa? YES NO
Coping width _____
 - a. Is spa to be included in this estimate/order?..... YES NO
Is separate cover required for spa?..... YES NO
One cover for pool and spa?..... YES NO
 - b. Is spa raised above pool?..... YES NO
If yes, how high? _____
 - c. Can anchors be installed on the outside spa wall?..... YES NO
(For Safety 18" height or greater cover must be designed to anchor into spa side wall)
 - d. Is spa dividing wall flush with top of coping?..... YES NO
"A-B" Dimensions required on both Spa & Pool side of wall.
 - e. Does spa wall have an open spillway?..... YES NO
If yes, "A-B" dimensions are required to locate spillway.
 - f. If solid w/drains, is drain panel wanted in spa area?..... YES NO
 - g. Are there any other specific spa cover design instructions?..... YES NO
Please specify! _____

DECKING & COPING:

CHECK ONE YES NO

- 9. Coping Width _____ Coping Material _____
 - a. Is coping rough?..... YES NO
 - b. Rolls of "Undr Covr" padding wanted?..... YES NO
 - c. Sewn perimeter padding wanted?..... YES NO
- 10. Deck Width (including coping) _____
indicate area less than 3' on sketch
- 11. Deck Material: please show on sketch if deck type varies
 - a. **Wood:**
Loop-Loc Wood Deck anchors wanted? YES NO
 - b. **Composite Deck:**
Deck-Loc anchors wanted? YES NO
 - c. **Paver Deck:**
Loop-Loc Pipes wanted for anchor in pipe installation?..... YES NO
 - d. **Planters or Grass Areas:**
Loop-Loc Pipes wanted for anchor in pipe installation?..... YES NO
Overlap wanted in planter area _____ (minimum 9" for safety)
- 12. Auto Cover box?..... YES NO
 - a. Is cover box flush with coping?..... YES NO
 - b. Is cover box raised? If yes, how high _____
 - c. Dividing wall between waterline and coverbox? Width _____

RAISED AREAS: PHOTOS REQUIRED

- 13. For safety cover, verify all raised wall areas are strong enough for cover to attach to it with wall anchors and o-rings. YES NO
 - a. Facade walls - Are longer wall anchors wanted? (upcharge)..... YES NO
 - b. Height of Raised area _____
 - c. A-B the beginning, the end, the front and sides of the raised area where cover is to be attached, as well as the pool wall, at 1' intervals.
Note start & end points below:
Begins @ pt # ____ Ends @ pt # ____ Begins @ pt # ____ Ends @ pt # ____
Begins @ pt # ____ Ends @ pt # ____ Begins @ pt # ____ Ends @ pt # ____
 - d. Waterfall or Rock formations - need distance rocks overhang pool edge _____

VARYING DECK LEVELS: PHOTOS REQUIRED

- 14. A-B location for each rise, A-B each level including points on risers to show angle away from pool edge.
Pt # ____ height ____ Pt # ____ height ____ Pt # ____ height ____
Pt # ____ height ____ Pt # ____ height ____ Pt # ____ height ____
Total Height _____
If there are raised areas or varying deck levels select treatment wanted:
 Raised Wall Treatment Up & Over Treatment Protect-A-Gap with Cable & Cable Kit (Maximum Rise 9") (Rises over 9")

NEGATIVE EDGE/OVERFLOW POOLS: PHOTOS REQUIRED

- 15. Is basin to be included in this estimate/order?..... YES NO
 - a. Is separate cover required for Basin? YES NO
 - b. One Cover for pool and Basin?(May be non-safe)..... YES NO
 - c. Elevation difference between pool coping & Basin Coping _____

ONGROUND POOLS:

- 16. Are there varying deck sizes? (If yes, submit sketch)..... YES NO
 - a. If deck is wood indicate:
 Loop-Loc Wood Deck Flanges Loop-Loc On-Ground Brackets

COMMERCIAL POOLS: Approx. 3x3 sections over 2,100 sq. ft.

- Pool type: Skimmer Exposed Gutter
Gutter width _____
Measure to deck edge & indicate location of gutter on sketch
- 17. Are there any specific design instructions? Please specify. _____

MEASURING INSTRUCTIONS

1. Begin with a freehand sketch indicating inside pool dimensions. Include deck area, planters and any obstructions within 3' of the waterline. **A photo of the pool is needed when rocks, waterfalls, raised walls, spas or anything out of the ordinary exists.**
2. Establish two points, "A-B" with "A" on the left as shown. "A-B" line must be at least 3' away from the pool and 2/3 the length of the pool; 20'-25' is typical (show this on the sketch). To mark "A-B" points on deck - use chalk marks, on ground - use stakes in the dirt.

NOTE: The "A-B" line **must never** cross the pool line and should be approximately 3' away from the pool at the closest point (4' to 5' away for pools over 44' long).

3. Using chalk, mark and number points along the inside edge of the pool at approximately 3' intervals. Number all corner points, ladders, handrails, grabrails, slide legs, rocks, spillways, spa walls separating spa and pool, fill spout and dive stand. **1' to 2' intervals should be used in small or tight radius areas.** For raised area, points should be taken to the beginning, the end, the front and the sides of raised area where cover is to be attached, as well as the pool wall at 1' intervals. Straight walls should have at least 3 points, beginning, middle and end.
4. Measurements are now taken from point "A" to point #1, then point #2, and all the way around the pool. Then measure from point "B" to same point #1 and then #2, as you did for point "A". Measurements are listed in column format as shown.
5. Take measurements **between 2 known points** to determine the length and width of the pool. Additional measurements for difficult pools are suggested. Cross dimensions to any raised beam obstacles are also recommended.

NO.	A	B
1	14'-3"	30'-4"
2	15'-8"	31'-7"
3	17'-0"	34'-6"
4		
5		
6		
7		
8		
9		
10	CONTINUE	CONTINUE
11		
12		
13		
14		
15		
16		
17		
18		
19		
20		

- * Replacement Covers - A-B line should be 3' back from anchors. Same A-B line should be used for both pool and anchors whenever possible. If same A-B line not possible, common A-B points and the relationship between the 2 different A-B lines must be shown. **Please use Loop-Loc's replacement/alteration measuring form.**

