

Step 6: SECURE COVER

Attach springs and buckles to remaining straps. If necessary adjust buckles to straighten out edges or provide proper tension.

MAINTENANCE

Once the cover is in place, check the following:

- Make sure that the cover is on, properly tensioned, and that there are no bulges or voids that would allow access to the pool.
- Any rough or protruding edges on or around pool, must be covered with foam or some other type of buffer to prevent holes from being worn through the cover.
- After removal of the cover, dry and hang in a dry place, and keep out of reach of animals.
- If cover shows signs of wear, replace it immediately.

SPECIAL SITUATIONS

Free-form Covers will have up to an 18" overlap around the entire pool.

Free-form safety covers are installed differently than standard rectangular covers. There are a few things to keep in mind. First, free-form covers will always have a range of 12"-18" of overlap. When initially aligning the cover on the pool, be careful that you have consistent overlap all the way around the pool. Secondly, because of the unique shape of free-forms, it can be difficult to follow the anchor installation sequence as outlined in Step 5 previously. Just remember to install center straps along the length and width first, then work your way from the center of the cover to the ends, alternating sides and securing the cover to the anchor after each anchor is installed.

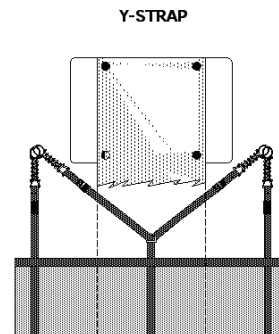
Solid Covers With Drain Panels Or Pump

With a garden hose spray water on installed cover and adjust strap tension accordingly to achieve maximum drainage towards the drain panel(s) or pump.

WARNING: Solid vinyl covers installed without an automatic pump or mesh drain panel to remove standing water do not meet ASTM safety standards. Installation of a Cover Logix solid cover without an automatic pump or mesh drain panel may damage the cover, will void the warranty, and will create an inherent risk of injury or death by drowning.

Diving Boards

A separate 60 inch strap is included to divert the center strap, if applicable. Place the D-ring on the end of the center strap. Run the 60 inch strap through the D-ring. Attach spring to both ends of the straps on either side of obstacle. Continue with installation of the anchors remaining.



CoverLogix®

ADVANCED SAFETY COVER SYSTEMS

INSTALLATION & MAINTENANCE GUIDE

Before You Begin

Congratulations on your purchase of our **CoverLogix®** brand safety cover. With proper installation and care, your safety cover will offer effective protection for many years. Please be sure to fully read these instructions before and during the installation, to ensure a smooth, quick & proper installation. This section will detail the steps needed before you begin installing the safety cover, the equipment you'll need and how to get the pool site prepared for your cover installation.

Prepare The Pool Site

Carefully examine the immediate pool area. The deck width around the pool needs to be a minimum of 3 feet. The cover itself will overlap from waters edge approximately 12"-18" (see cover plan) onto the deck surface. The springs and strapping will extend another 17" further.

Examine the deck surface. Remove handrails or other obstructions that were not specifically allowed for on the cover design. The objective is to have the cover lay flat. Sweep the deck area and remove any debris that could puncture or wear through the cover. Make sure to pad any raised coping, rough edge coping, water spouts, ladder cups and other items that are not flush with the deck surface. To prevent chaffing damage that may occur when your cover is not flush with the deck, use pool cover padding. We recommend the product Xtreme Protection.

This pool cover padding easily snaps on to the perimeter webbing and creates a protective barrier between the cover & deck.

Tools You Will Need

You will need a variety of tools to complete the installation. These include, but are not limited to:

- 3/4" Concrete Drill Bit (Carbide Tip)
- Chalk and a Chalk Line (optional)
- Hammer
- Heavy Duty Hammer Drill
- Tape Measure

Included Safety Cover Hardware

Please examine the following columns, and make sure your safety cover includes these necessary pieces of hardware. Consult your packing slip to determine the number of anchors and springs your cover needs, and if your installation requires any special hardware. Raised wall hardware is only needed for raised wall installations.

Standard Hardware

Allen Wrench
Aluminum Tamp Tool
Brass Anchors (thread type)
Maintenance Kit (extra anchor & spring)
Stainless Steel Buckles
Stainless Steel Springs
Steel Installation Rod
Spring Covers

Optional Hardware

Anchor Flanges (collars)
Anchor Tubes*
Automatic Cover Pump
Lawn Stakes*
Short Springs
Super Suspension Spring (included with 9000MX material)
Wood Deck Anchors*

Raised Wall Hardware

Anchor (drop-in) / Lag Shields
Cable
Eyebolts
Turnbuckle
U Clamps

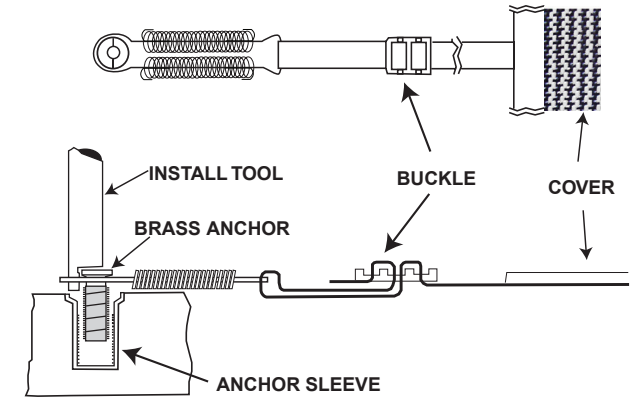
***Non-standard hardware may NOT be warranted as a "safety" cover.**

Step 2: SETTING ANCHORS FOR CONCRETE DECKS

After marking points A & B, move the cover out of the way and drill holes at these points using a Roto-hammer pneumatic drill) with a 3/4" bit. The holes should be a minimum of 2" deep and allow the brass anchor sleeve to drop down completely flush with the deck. (Contact Plastimayd or Vyn-All for wood deck instructions.)

Once the holes are drilled, place the brass anchor sleeve into the holes and use the tamping tool to tamp them down flush with the deck. Spray the threaded portion of the anchor with silicone spray and screw into the anchor sleeve so that the head is raised about 3/8" above the deck.

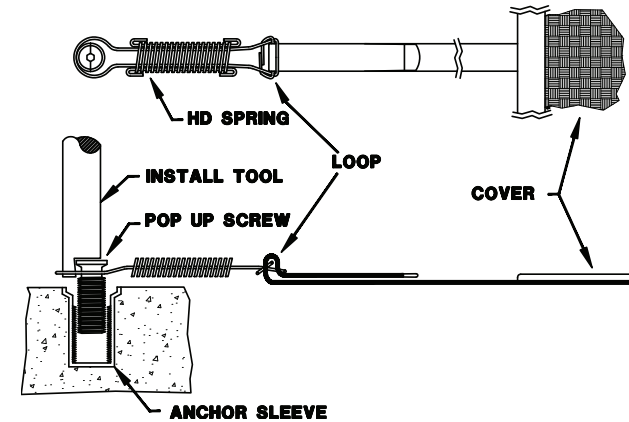
FIGURE 2: ATTACH BUCKLES AND SPRINGS



Step 3: ATTACHING HARDWARE

Run the strap through the buckle, then through the flattened end of the springs, then back through the buckles as shown in Figure 2, or through the clasp on the heavy-duty spring as shown in Figure 3. Attach the rounded end of the springs to head of the threaded anchor using the installation tool (See Fig. 2) so cover is now attached to the deck at points A & B (See Fig. 1).

FIGURE 3: ATTACH HEAVY DUTY SPRINGS



If necessary, make adjustments to stretch the springs to approximately 40% of their original length (60% compression).

Step 4: SET THE CORNERS

You have now set the two initial corners and will have to repeat these steps for points C & D. Once you have the anchors set at C & D, you will repeat the steps for the lengthwise straps at points E-F & G-H (See Fig. 1). Be sure the cover is taut and all points are an equal distance from the pool edge.

Step 5: PLACE ALL REMAINING ANCHORS

When all four corners are secure, chalk a straight line on each side of the pool deck between the corner anchors. To locate the remaining anchor positions, pull each strap out to the chalked lines keeping the strap straight across the cover (perpendicular to the edge of cover), and mark the anchor locations on the chalk line. (See Fig. 1). Drill and set all remaining anchors.



CoverLogix®

SAFETY COVER INSTALLATION INSTRUCTIONS

Step 1: PLACEMENT OF COVER

Place cover on the deck at the center of the deep end. Unroll along the width of the pool and pull the cover over the pool toward the shallow end. Center the cover over the pool ensuring equal overlap on all sides. Pull the last WIDTH strap tight and mark a point 18" out along each strap (Points A & B). Be sure the straps are straight and maintain an equal distance on both sides. (See Fig. 1)

