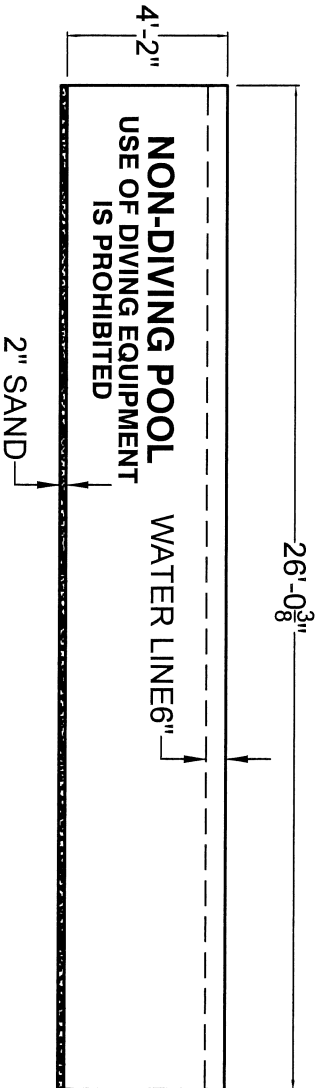


ALL DIMENSIONS ARE FINISH DIMENSIONS

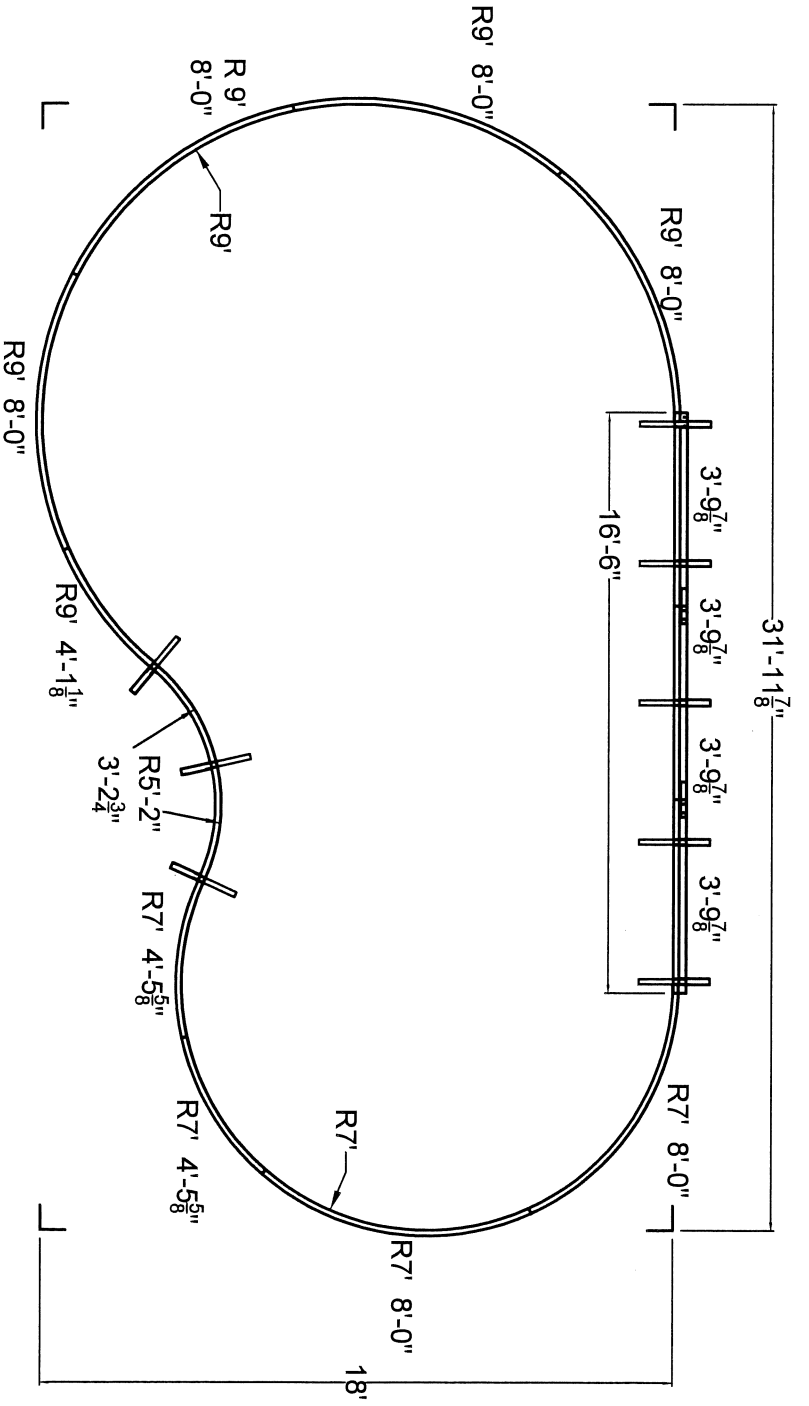
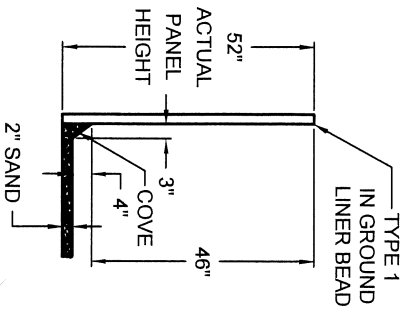


# 16 X 26 ECOTHERM KIDNEY

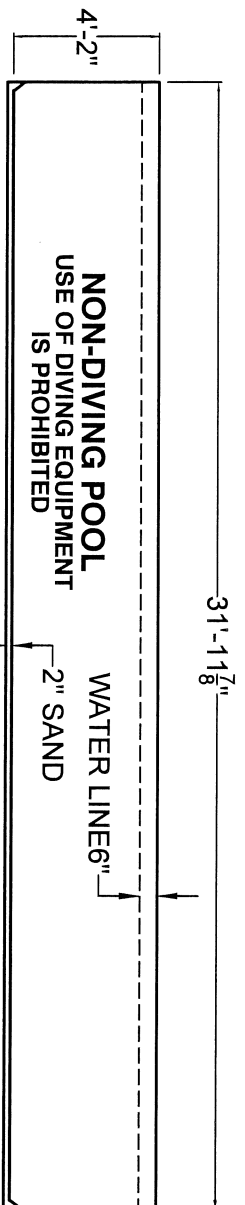
|                |                       |                    |                         |        |
|----------------|-----------------------|--------------------|-------------------------|--------|
| DATE: 12/19/19 | PERIMETER: 69'-3 1/8" | AREA: 321.0 sq.ft. | GALLONAGE: 8,805.2 gal. | DEALER |
|----------------|-----------------------|--------------------|-------------------------|--------|

THIS POOL IS DESIGNED TO MEET OR EXCEED INDUSTRY RECOMMENDED SAFETY STANDARDS (ANSI/APSP-4 AMERICAN NATIONAL STANDARDS FOR RESIDENTIAL ABOVE GROUND SWIMMING POOLS)

|                           |                 |             |
|---------------------------|-----------------|-------------|
| CUSTOMER PURCHASE ORDER # | DRAWN BY: STEVE | CUSTOMER    |
| POOL NO. INKN16X26        |                 | PAGE 1 OF 5 |



ALL DIMENSIONS ARE FINISH DIMENSIONS



# 18 X 32 ECOTHERM KIDNEY

|                |                       |                    |                          |        |
|----------------|-----------------------|--------------------|--------------------------|--------|
| DATE: 12/27/19 | PERIMETER: 83'-1 3/8" | AREA: 444.0 sq.ft. | GALLONAGE: 17,949.3 gal. | DEALER |
|----------------|-----------------------|--------------------|--------------------------|--------|

THIS POOL IS DESIGNED TO MEET OR EXCEED INDUSTRY RECOMMENDED SAFETY STANDARDS (ANSI/APSP-4 AMERICAN NATIONAL STANDARDS FOR RESIDENTIAL ABOVE GROUND SWIMMING POOLS)

|                           |                 |             |
|---------------------------|-----------------|-------------|
| CUSTOMER PURCHASE ORDER # | DRAWN BY: STEVE | CUSTOMER    |
| POOL NO. INKN18X32        |                 | PAGE 1 OF 5 |