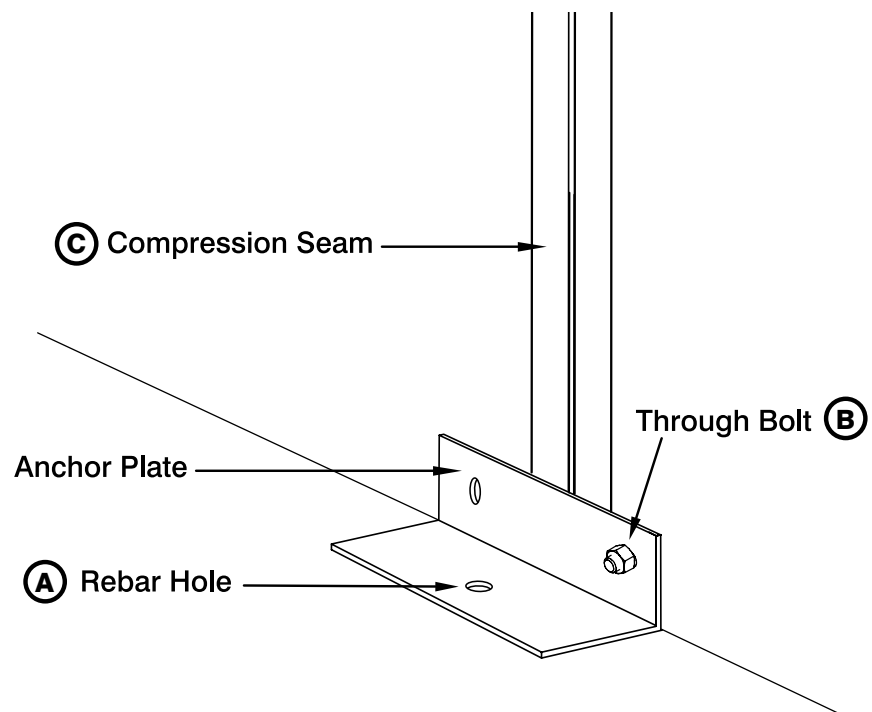


ECOTHERM™ Swimming Pools recommends all their swimming pools be grounded/bonded according to National Electrical Code (NEC) guidelines and individual State and Local requirements.

On ECOTHERM™ Swimming pools, grounding/bonding wire may be attached at any of the following locations on the pool:

- the anchor plate rebar hole (A)
- A through bolt in anchor plate at base of pool (B)
- Drill and tap at a compression seam/spline location (C)



ECOTHERM™ oval pools have channel and back braces that provide ample area for grounding/bonding wire attachment. See Installation Manuals for illustrations.