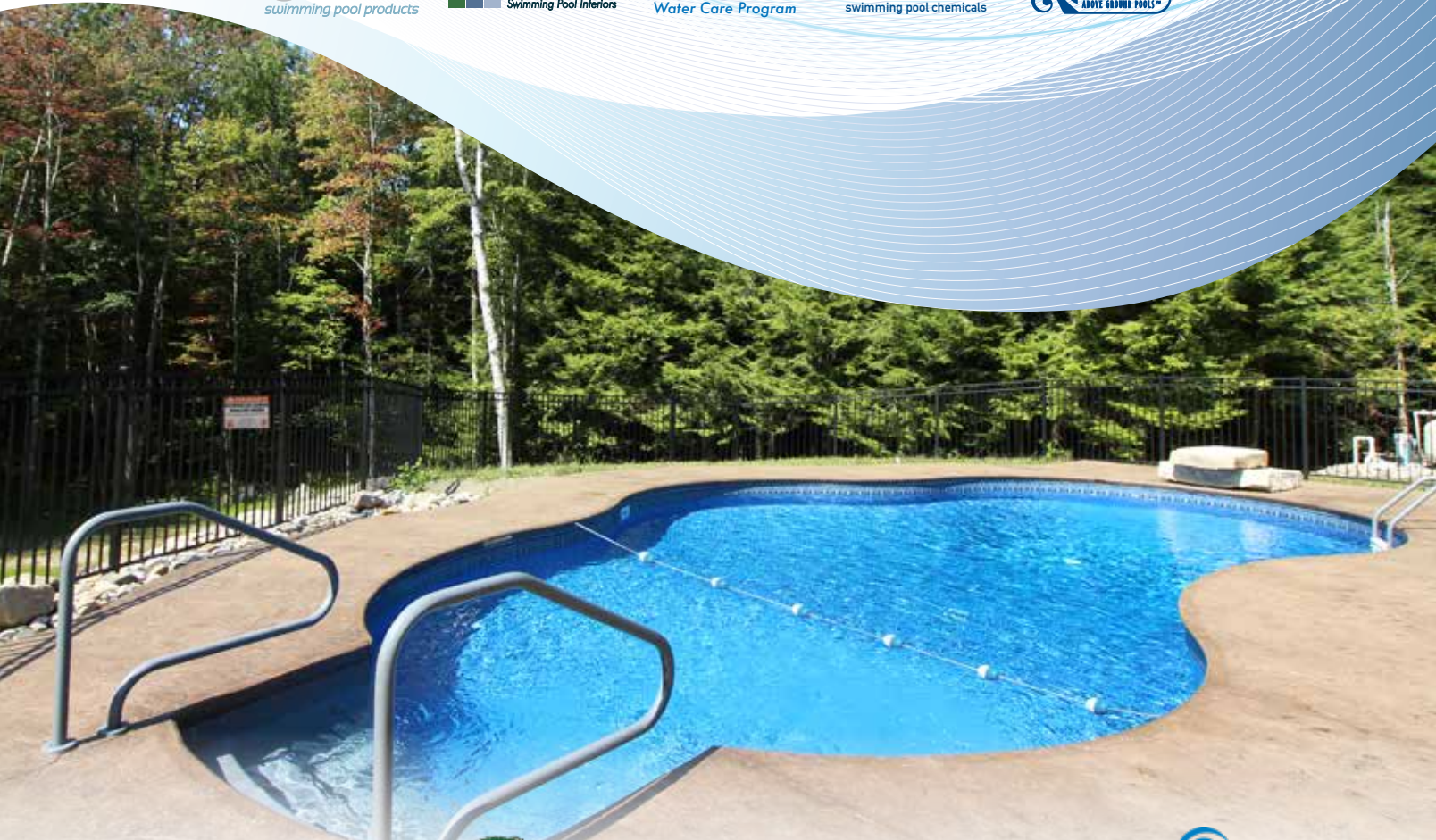




Imperial POOLS INC.®

REDEFINING ONE SOURCE

PRODUCT DIRECTORY



Visit imperialpools.com/b2b today to place an order, view specials, view up-to-date pricing & current inventory



**PRO EXCLUSIVITY IS
A START. FAIR PRICING
IS THE SOLUTION.**

EXPERT LINE
THE POWER OF X

EXPERT LINE PRODUCTS NOW FEATURE BETTER PRICING THAN THOSE ONLINE.

Hayward® Expert Line now provides pool pros with a full assortment of exclusive products at our best pricing**—helping the trade to be more profitable and pool owners to get a fair deal wherever they shop. It's the only sustainable solution for our industry—and we're the only ones doing it.

Visit hayward.com/expert to learn more about Expert Line.

*When sold and installed by a Totally Hayward™ partner

**Reflects added services provided by pool pros and higher costs of servicing the internet channel

Hayward, Hayward & Design and the H logo are registered trademarks of Hayward Industries, Inc.
© 2019 Hayward Industries, Inc.

EXPERT LINE
THE POWER OF X



TERMS AND CONDITIONS OF SALE

Please read our Terms and Conditions.

TERMS:

All sales will be business check/cash with order or C.O.D. unless credit has been established.

Open account terms are Prox 15 to established and approved accounts, unless otherwise specified. Prox 15 is defined as any purchase made during the course of one month is due the 15th of the following month. Any account that is 10 days past due or over their credit line will be placed on hold until the account is current and/or below their credit line. A service charge of 1.5% per month (18% per annum) will be charged against all past due balances. The extension of credit is at our option and may be withdrawn at any time.

RETURNED CHECKS:

Any check that is returned will carry a \$25.00 charge. Cash or Certified Check must replace all bad checks. Thereafter the account will be open to purchase on a cash or certified check basis only.

SALES TAX:

Applicable sales and/or use tax will be charged on all accounts unless they have on file at our office of an up-to-date properly completed sales tax exempt certificate with a valid resale number.

PRICES:

All prices, discounts, and quotations are subject to change without notice and will be those in effect at time of shipment. Due to the ever-increasing cost of billing, there is a minimum order policy of \$25.00.

SPECIAL ORDERS:

All special orders require a 50% deposit at time of placement unless you have an account with us in good standing. Special order items may not be returned.

BACK ORDERS:

Any back orders will automatically be reordered for you unless you contact us and instruct us otherwise. When back orders come into stock, if time provides, we will contact you to see if you still need the products and to get any shipping instructions.

FREIGHT:

All shipments are F.O.B. our warehouse. All merchandise shall be deemed delivered when picked up by the common carrier. If any shipment is received in a damaged condition, your claim must be filed with the delivering carrier and noted on the freight bill before you accept the merchandise. Claims cannot be deducted by you from the account. Product shortage claims must be made within 10 days after receipt of merchandise. If there are any questions when receiving a shipment, please feel free to call the Customer Service Department for the correct freight claim procedures. Locations serviced by our delivery service will follow Imperial Distribution freight policies and charges.

LIMITED WARRANTY:

Items manufactured by Imperial will be subject to the warranty accompanying each specific product. The terms of such warranty will be provided with delivery of the product. With respect to such products manufactured by Imperial, except where prohibited by law, Imperial disclaims the implied warranties of fitness for a particular purpose and merchantability. Imperial will not be liable for any loss or damage (including indirect, special, incidental or consequential damages) caused directly or indirectly by the defective products.

Many of the products sold by Imperial are manufactured by others and come with a manufacturer's warranty. Imperial makes no additional warranties of any kind, express or implied, for any product manufactured by a party other than Imperial that comes with a warranty from the manufacturer. The manufacturer's warranty may be limited. If you want information on the scope of a particular manufacturer's warranty, please check the manufacturer's website, speak with an employee at Imperial's distribution center, or call 800-444-9977.

For items manufactured by others with no warranty from the manufacturer, Imperial provides a limited 90 day warranty for product defects. Under this limited 90 day warranty, Imperial will repair or replace (at Imperial's option) any such defective product. Items which have been subject to improper handling, neglect or accident, or which have been modified, are excluded from this warranty. All warranty claims must be made within 60 days of the discovery of the defect. Except where prohibited by law, Imperial disclaims the implied warranties of fitness for a particular purpose and merchantability. Imperial will not be liable for any loss or damage (including indirect, special, incidental or consequential damages) caused directly or indirectly by the defective products. You may have rights which vary from state to state, as some states do not allow warranty limitations or exclusions.

RETURNS:

We will accept returned merchandise only if we have been previously notified and a Return Merchandise Control Number has been issued. All returns must be made on a prepaid basis. If merchandise returned is shipped collect, it will be refused and freight costs will be your responsibility. All returns must be clearly marked with the RMA number that was issued for that return, use a shipping label for a new product.

AUTHORIZED RETURN OF NEW MERCHANDISE:

Items not desired by you may be returned within 30 days following receipt of goods. Authorized returns will carry a 15% handling and restocking charge. All items must have a new appearance and be in operational condition or they will be returned freight collect to you. Special orders or merchandise not of current design are NOT subject to return.

RETURN OF DEFECTIVE MERCHANDISE:

For products manufactured by Imperial: Products that are manufactured by us that are determined defective will be repaired or replaced under terms stated in the warranties. Return only the defective part of an assembly, not the entire assembly. Only the defective part will be replaced or repaired. Upon inspection and determination by us, notification will be mailed to you with an explanation approving or denying credit. If an item is returned for credit and credit is denied, you must notify us, in writing, as to your desired disposition of the merchandise. Such information must be received by us within 30 days of your receipt of credit determination or Imperial will dispose of the item at its sole discretion. **For items manufactured by others:** In all cases of defective merchandise not manufactured by us, the repair or replacement of these items will be handled in accordance with the warranty policy.

REPLACEMENT OF MERCHANDISE PRIOR TO RETURN AND VERIFICATION FOR DEFECT:

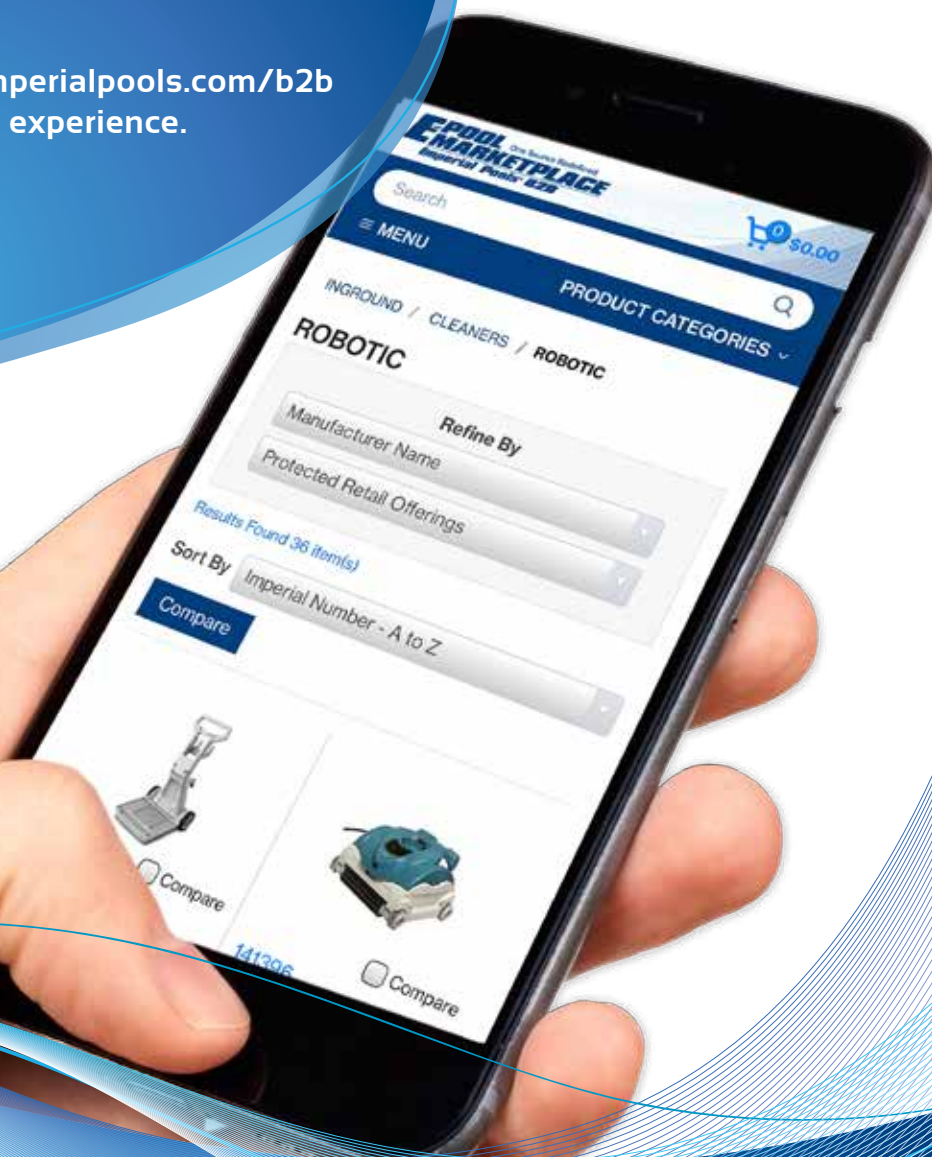
Replacement merchandise will be charged under the normal credit terms to Dealers with approved accounts. Upon our receipt of the merchandise (within 30 days) and verification of claimed defect and eligibility for credit, credit will be issued against the invoice for the replacement order. Cash customers may purchase replacements for merchandise claimed to be defective. Upon our receipt, verification of the defect and determination of eligibility for credit, a refund check will be issued.

OUR B2B SITE JUST GOT BETTER

We've made it even easier to do business. Scan the code below with your phone or tablet to get instant access to ordering, up-to-date inventory and current specials.



Visit us at imperialpools.com/b2b for the same experience.



33 Wade Road
Latham, NY 12110
1-800-444-9977

www.imperialpools.com

Don't have a QR Reader on your mobile device or tablet? Simply search "QR Reader" in your app store of choice to find and download one.

SUBJECT INDEX

A

Above Ground Ladders.....	40-41
Above Ground Liners.....	36-39
Above Ground Pools.....	25-34
Above Ground Steps.....	40-41
Air Blowers.....	138
Air Controls.....	136
Alarms.....	50, 194
Anchor Sockets.....	155
Anodes.....	102

B

Backwash Hose.....	201
Ball Valves.....	121-122
Basketball Set.....	161
Bonding Fittings.....	138
Booster Pump.....	193-194
Brushes.....	198
Bulk Chemicals.....	82

C

Cartridge Filters.....	43, 164-165
Above Ground.....	43
Inground.....	164-165
Cartridges - Replacement.....	165-166
Cement - Portland.....	140
Cement - PVC.....	123-124
Check Valves.....	120
Chemical Feeders.....	104-107
Chemical Scoop.....	200
Chemicals.....	51-100
Advantis.....	89
Bulk.....	81-82
Clearview.....	61-72
CuLator Products.....	80, 89
Essential Elements.....	51-60, 82
GLB.....	72-77
Jacks Magic.....	87-89
Natural Chemistry.....	84-87, 95-102
Natural Chemistry Pro Series.....	86
Seaklear.....	94
Service Chemicals.....	78-81
Spa Chemicals.....	90-101, 203-211

Chlorinators.....	106, 200
Clamps.....	113
Cleaners.....	48-49, 192-194
In-Floor.....	194
Pressure Side Above Ground.....	49
Pressure Side Inground.....	193-194
Robotic Above Ground.....	48
Robotic Inground.....	192
Suction Above Ground.....	48
Suction Inground.....	192-193
Conduit.....	138
Construction Hardware.....	129-130
Controls.....	179-194
Coping.....	40, 128
Aboveground.....	40
Inground.....	128
Cover Pumps.....	200
Covers.....	47, 145, 177, 213, 348
Solar - Above Ground.....	47
Solar - Inground.....	181-182
Spa.....	145, 213
Custom Spa Cover Order Form.....	348

D

DE.....	48, 168
DE Filters.....	43, 163-164
Above Ground.....	43
Inground.....	163-164
Deck.....	41-42
Aboveground.....	41-42
Deck Anchors.....	155
Deck Drain.....	128-129
Deck Finish.....	140
Deck Flanges.....	41
Deck Forms.....	125-127
Deck Jets.....	160
Depth Markers.....	195-196
Directional Fittings.....	136-137
Diving Boards.....	157-158
Duct Tape.....	137

E

Epoxy Putty.....	129
Equipment Pads.....	45, 168
Escutcheons.....	156
Expansion Joints.....	129
Extrusion.....	127-128
Aluminum.....	127-128
Plastic.....	128

F

Faceplate Covers.....	131-132
Fence.....	41, 137
Aboveground.....	41
Safety.....	137
Filter Bases.....	45, 168-169
Filter Cartridge Cleaning Table.....	166
Filter Cleaner.....	214
Filter Hose.....	201
Filter Media.....	44-45, 167-168
DE.....	45
Glass.....	44, 168
Sand.....	44, 167
Zeofiber.....	44, 168
Zeosand.....	44, 168
Filters.....	42-43, 162-166
Above Ground Cartridge.....	43
Above Ground DE.....	43
Above Ground Sand.....	42-43
Inground Cartridge.....	166
Inground DE.....	165-166
Inground Sand.....	162
Replacement Cartridges.....	163
Replacement Grids.....	164
Flex Pipe.....	113
Floats.....	196
Flow Meters.....	125
Foot Bath.....	156, 200
Fountains.....	49

SUBJECT INDEX

G

Gauges..... 125
Glass Filter Media 168

H

Handrails..... 154-155
Heat Pumps 47, 175-177
Heaters 46-47, 174-177
 Aboveground..... 46-47
 Inground..... 174-177
 Vent Kits 175
Hooks & Eyes 195
Hose..... 201
 Backwash 201
 Filter..... 201
 Vacuum 201
Hose Adapters 137
Hose Filter..... 214

I

Inflatable Toys..... 214
Inground Liners 147-152
Inground Pool Kits..... 153
Inground Steps 156

J

Jets..... 135-137
Junction Boxes 190

L

Ladder Pads..... 41
Ladder Treads..... 156
Ladders..... 40-41, 143, 154-156
 Aboveground..... 40-41
 Accessories..... 156
 In Wall 143
 Inground 154-155
Laminars 160, 187-188
Lawn Templates 139-140
Leaf Eaters 197
Leaf Rakes 197
Leaf Skimmers 198
Ledge Lounger..... 148
Life Hooks 50, 195
Life Rings..... 196

Lighting..... 49, 185-189, 190
 Above Ground..... 49
 Fiber Optic Installation
 Tools..... 190
 Inground..... 185-189
 LED Bubbler..... 188
Liner Guard..... 40
Liner Hanger..... 40
 Aboveground..... 40
Liner Lock..... 128
Liner Mule..... 138
Liner Rebuild List..... 133-134
Liner Vacs & Line Blowers..... 138
Liners..... 36-39
 Above Ground..... 36-39
Liquid Solar..... 47, 178
Lubricants..... 124

M

Main Drains..... 133-135
Maintenance Kits 198
Motors..... 46, 173-174
 Aboveground 46
 Inground 173-174
Multiports 43-44, 166-167
Muriatic Acid..... 82

N

Niches 189

O

Ozone Sanitizing Systems 103

P

Parts 219-316
 Essential Elements 219-232
 Hayward Automatic Skimmer..... 272-276
 Hayward Chlorine Feeder 256-266
 Hayward EcoStar..... 233
 Hayward Heater..... 267-271
 Hayward MultiPort 261-264
 Hayward Perflex 245-250
 Hayward PowerFlo..... 234

Hayward ProGrid Vertical... 251-252
Hayward ProSeries..... 255-265
Hayward S200..... 253-254
Hayward S240..... 255-256
Hayward StarClear Plus... 239-240
Hayward Super Pump..... 236-237
Hayward SwimClear..... 241-242
Hayward TriStar..... 238
Hayward UnderWater Lights..... 278-282
Hayward Vacuum Cleaner Head 277
Hayward XStream..... 243
Pentair | IntelliFlo..... 291
Pentair AmerLite..... 313
Pentair AquaLumin..... 314
Pentair AquaLumin III..... 314
Pentair Challenger..... 284
Pentair Clean and Clear Plus..... 289-290
Pentair FNS Plus..... 291-292
Pentair IntelliFlo 286
Pentair MasterTemp 303-312
Pentair MasterTemp Heater..... 303-312
Pentair Nautilus..... 293-294
Pentair Pinnacle..... 287
Pentair QuickNiche..... 316
Pentair Sand Dollar..... 299
Pentair SpaBrite/ Aqualight 315
Pentair Stainless Steel Niche..... 315
Pentair SuperFlo..... 288
Pentair Tagelus 295-296
Pentair Triton II..... 297-298
Pentair Valves 300-302
Patch Kits - Vinyl..... 200
Pipe Cutter..... 119
Pole Hangers..... 200
Poly Pipe 113
Poly Pipe Fittings 115
Pool Base 140
Pool Cove 40
 Aboveground 40
Pool Furniture 144
Pour-A-Lid 126
Pump Seal Kits..... 46, 173

SUBJECT INDEX

Pumps.....	45-46, 169-173
Aboveground.....	45-46
Aboveground Variable Speed.....	45
Inground.....	169-173
Variable Speed.....	169-173
PVC Cement.....	123-124
PVC Fittings.....	114-118
PVC Pipe.....	113
PVC Primer.....	123-124

R

Reagents.....	109-110
Rebar.....	129
Reference Section.....	317-348
Repair Plates.....	129
Retro Steel Stairs.....	141
Return Faceplates.....	135
Ring Buoys.....	50, 195
Rope & Floats.....	195

S

Safety Equipment.....	194-196
Safety Fence and Posts.....	137
Salt.....	57, 82
Salt Cells.....	101-102
Salt Systems.....	101-103, 179-184
Sand.....	44, 167
Scumbug.....	212
Seal Kits.....	173
Signs.....	50, 195
Silicone.....	124
Skimmer Baskets.....	132
Skimmer Extension Collars.....	131
Skimmer Grilles.....	133
Skimmer Lids.....	131
Skimmers.....	130-132
Above Ground.....	130
Inground.....	130-132
Skim-Vac Plates.....	132
Slide Hose Kit.....	160
Slides.....	158-160
Solar Covers.....	47, 177- 178
Above Ground.....	47
Inground.....	177-178
Solar Reel Attachment Kit.....	48, 178
Solar Reels.....	47, 178- 179

Above Ground.....	47
Inground.....	177-178
Spa Blowers.....	212
Spa Cartridge Cleaning Tablets.....	214
Spa Cartridges.....	213-214
Spa Control.....	212
Spa Cover Clips.....	213
Spa Covers.....	145, 212- 213
Spa Fragrances.....	210-211
Spa Pads.....	212
Spa Step.....	212
Spa Vacuum.....	212
Spas.....	145, 215- 218
Chemicals.....	90-101, 205-211
Fittings.....	145
Poolside.....	145
Spillover.....	149
Spray Adhesive.....	130
Stair Rods.....	129
Step Faceplate System.....	143
Steps.....	40-41, 141-143, 156
Aboveground.....	40-41
Drop In.....	156
Inground.....	141-143, 156
Plumbing Kits.....	142
Retro Steel Stairs.....	141
Thermoplastic.....	141-143
Suction Grate.....	135

T

Tables & Seats.....	155
Teflon Tape.....	124
Test Kits.....	110
Test Labs.....	109-110
Test Strips.....	109-112
Thermometers.....	198
Time Clocks.....	184
Toys & Games.....	196
Transformers.....	190
Trash Pump.....	143

U

UDV.....	111
Ultraviolet Sanitizing Systems.....	103
Underwater Drill.....	137
Unions.....	119-120
U-Stands.....	158
Utility Pumps.....	200

V

Vacuum Heads.....	197
Vacuum Hose.....	201
Vacuum Hose Cuffs.....	201
Vacuum Pole Cams.....	200
Vacuum Poles.....	198
Valve Actuator.....	180, 184
Valves.....	
Ball Valves.....	121-122
Check Valves.....	120
Diverter Valves.....	122-123
Foot Valves.....	120
Gate Valves.....	121
Hydrostatic Relief Valve.....	120
Multiport.....	43-44, 167
Push Pull.....	121
Vermiculite.....	140
Vinyl Repair Kits.....	200
Volleyball Set.....	161

W

Wall Fittings.....	135-137
Wall Foam.....	130
Water Bonding.....	138
White Goods Builder Kits.....	133-134

Z

Zeofiber.....	44, 168
Zeosand.....	44, 168

Manufacturer Contact Information

Confer Plastics
www.conferladders.com
800-635-3213

Custom Molded Products
www.c-m-p.com
800-733-9060

GLI
www.glipoolproducts.com
800-448-2343

Gladon
www.gladon.com
877-445-2366

Hayward
www.hayward.com
1-888-HAYWARD

HPI
www.hinspergers.com
800-388-7871

King Technology
www.kingtechnology.com
800-222-0169

Lamotte
www.lamotte.com
800-344-3100

Ledge Lounger
www.ledgeloungers.com
888-749-5336

Loop-Loc Ltd
www.looploc.com
631-582-2626

Maytronics
www.maytronicsus.com
888-DOLPHIN or 888-365-7446

Midwest Canvas
www.midwestcanvas.com
773-287-4400

NC Brands
www.ncbrands.com
800-753-1233

Ocean Blue Water Products
www.oceanbluewaterproducts.com
866-533-BLUE or 866-553-2583

Oreq
www.oreqcorp.com
800-420-3255

Pentair Pool Products
www.pentairpool.com
800-831-7133

Pleatco
www.pleatco.com
800-886-5160

Poolmaster
www.poolmaster.com
800-854-1776

Prozone
www.prozoneint.com
256-539-4570

Raypak
www.raypak.com
805-278-5300

SR Smith
www.srsmith.com
800-824-4387

Trendium / Aqua Leader
www.aqualeader.com
514-363-3599

Trevi / Cornelius
www.trevi.com
450-973-1249

Zodiac Pool Systems
www.zodiacpoolsystems.com
(800) 822-7933

Accessories

ATTENTION DEALERS "Using the Code"

Your Dealer Cost for all accessories is hidden in the column of **"Code Number."** An example of how the **"Code Number"** works is as follows:

Imperial Number	Part Number	Description	Code Number	List Price
141044	S200	20" Filter with Multiport Valve	IMP64325X85	\$739.95

List Price -- \$ 739.95
Your Dealer Cost Before Discount -- \$ 643.25

The Dealer Cost begins after the third letter
and ends with the "X".

Note: All prices, discounts, and quotations are subject to change without notice and will be those in effect at time of shipment. Due to the ever-increasing cost of billing, there is a minimum order policy of \$25.00.



Trademark, Trade Names and Logo Usage Policy

At Imperial Pools, Inc., Saratoga Spa and Bath Co., Inc., and The Vinyl Works, Inc., we are committed to maintain the integrity of our trademarks, trade names or logos. By doing so, we are making a commitment to our customers, that the company and brands they trust will not be compromised. It is to that end the following trademark, trade name and logo usage policy has been put in place, and will be enforced.

Any use of Imperial Pools, Inc., Saratoga Spa and Bath Co., Inc., or The Vinyl Works, Inc., trademarks, trade names or logo usage is strictly prohibited without the written consent of Imperial Pools, Inc. Imperial Pools, Inc. reserves the right to review, approve or deny all usage.

Upon written consent of usage, under no circumstance can any Imperial Pools, Inc., Saratoga Spa and Bath Co., Inc., or The Vinyl Works, Inc., trademarks, trade names or logos be promoted with an advertised price. This includes but is not limited to print media, outdoor media, broadcast media or the internet.

Imperial will not support any dealer attempting to offer Imperial Pools, Inc., Saratoga Spa and Bath Co., Inc., or The Vinyl Works, Inc., trademarks, trade names or logo usage with the intent to sell a price, and will be asked to immediately cease usage of such trademarks, trade names or logos. If our request is not acted upon immediately, we will take alternative action to resolve the issue.

Thank you in advance for your cooperation. We value your business and thank you for your continued support.

Sincerely,

A handwritten signature in black ink, appearing to read "Anthony Brennan", with a long horizontal flourish extending to the right.

Anthony Brennan

CEO, Imperial Pools, Inc.

Step Up to the Most Innovative Pool Ladder in the Industry

Ocean Blue A-Frame Ladder for Above Ground Pools

- Outside Treads swing-up and lock upright for safety and security (*Padlock Included*)
- 18" x 4" Anti-slip Treads
- Features Anti-entrapment Barrier
- Extra large Anti-slip Platform
- Adjustable height for pools 48" to 56" tall
- Meets all current ANSI/APSP standards
- Maximum weight limit 300 lbs.
- Full one-year warranty
- Minimal hardware for easy assembly
- No sand or bricks required; ladder fills with water
- Easily converts into an In-pool ladder with our optional conversion kit

new



Ocean Blue
A-Frame Ladder
#400200

Conversion Kit
#400201



*Ocean Blue Ladders
are not for use with
soft-sided pools*



**Get sales climbing!
Place your order today!**

866 533 BLUE (2583)
sales@oceanbluwp.com
oceanbluwaterproducts.com

ABOVEGROUND

Quality You Can Count On

Confer Plastics



7100X



7000X



7200 with gate

A-Frame Ladders

Our all-resin ladders have a five-year warranty and are made in the USA. They feature easy assembly and are convertible to inpool ladders with optional conversion kits.

Check out our complete line of pool and spa products at your distributor.



Step Enclosure System



In-Ground Pool Step



Above-Ground Pool Step

Swimming Pool Steps

Our all-resin steps have a five-year warranty and are made in the USA.

visit conferplastics.com or call 800-635-3213 or 716-693-2056
97 Witmer Road • North Tonawanda, NY 14120-2421



CONFER
Plastics inc.

PROUDLY
MADE IN
THE USA



RESOURCE BOOK

the ultimate sales tool

presented by:




www.bluecascadepools.com

TEN MODELS All Under ONE BRAND!

Offering our customers a wide range of selection and best products from each line.

FEATURING A 52" WALL



THE ALEXANDER
presented by BLUE cascade

the story...

Alexander Falls is nestled in Mackinac County, in the Gribble Valley south of the Six to Six Country. This region is known for its scenic views and is a popular destination for outdoor recreation. The Alexander Falls is a beautiful sight to see and is a great place to enjoy the outdoors. The Alexander Falls is a beautiful sight to see and is a great place to enjoy the outdoors.

FEATURING A 54" WALL




THE BARRON
presented by BLUE cascade

the story...

Barron Falls is a beautiful sight to see and is a great place to enjoy the outdoors. The Barron Falls is a beautiful sight to see and is a great place to enjoy the outdoors.

FEATURING A 52" WALL



THE BURGESS
presented by BLUE cascade

the story...

Burgess Falls is a beautiful sight to see and is a great place to enjoy the outdoors. The Burgess Falls is a beautiful sight to see and is a great place to enjoy the outdoors.

FEATURING A 52" WALL



THE CANYON
presented by BLUE cascade

the story...

The Canyon Falls is a beautiful sight to see and is a great place to enjoy the outdoors. The Canyon Falls is a beautiful sight to see and is a great place to enjoy the outdoors.

FEATURING A 52" WALL




THE GENEVA
presented by BLUE cascade

the story...

The Geneva Falls is a beautiful sight to see and is a great place to enjoy the outdoors. The Geneva Falls is a beautiful sight to see and is a great place to enjoy the outdoors.

FEATURING A 54" WALL




THE HARMONY
presented by BLUE cascade

the story...

The Harmony Falls is a beautiful sight to see and is a great place to enjoy the outdoors. The Harmony Falls is a beautiful sight to see and is a great place to enjoy the outdoors.

FEATURING A 52" WALL



THE NEVADA
presented by BLUE cascade

the story...

The Nevada Falls is a beautiful sight to see and is a great place to enjoy the outdoors. The Nevada Falls is a beautiful sight to see and is a great place to enjoy the outdoors.

FEATURING A 52" WALL



THE PEARL
presented by BLUE cascade

the story...

The Pearl Falls is a beautiful sight to see and is a great place to enjoy the outdoors. The Pearl Falls is a beautiful sight to see and is a great place to enjoy the outdoors.

FEATURING A 52" WALL



THE VICTORIA
presented by BLUE cascade

the story...

The Victoria Falls is a beautiful sight to see and is a great place to enjoy the outdoors. The Victoria Falls is a beautiful sight to see and is a great place to enjoy the outdoors.

THE SUTHERLAND
The Ultimate On-ground Pool



presented by BLUE cascade

the story...

The Sutherland Falls is a beautiful sight to see and is a great place to enjoy the outdoors. The Sutherland Falls is a beautiful sight to see and is a great place to enjoy the outdoors.

Blue Cascade Partners:

- Aqua Leader
- Cornelius
- Fabcote
- Trevi
- Wilbar



Collaborative Solutions By:



Imperial POOLS INC.
REDEFINING ONE SOURCE
33 Wade Road
Latham, NY 12110

PRODUCT SPECIFICATIONS

Fact Sheets

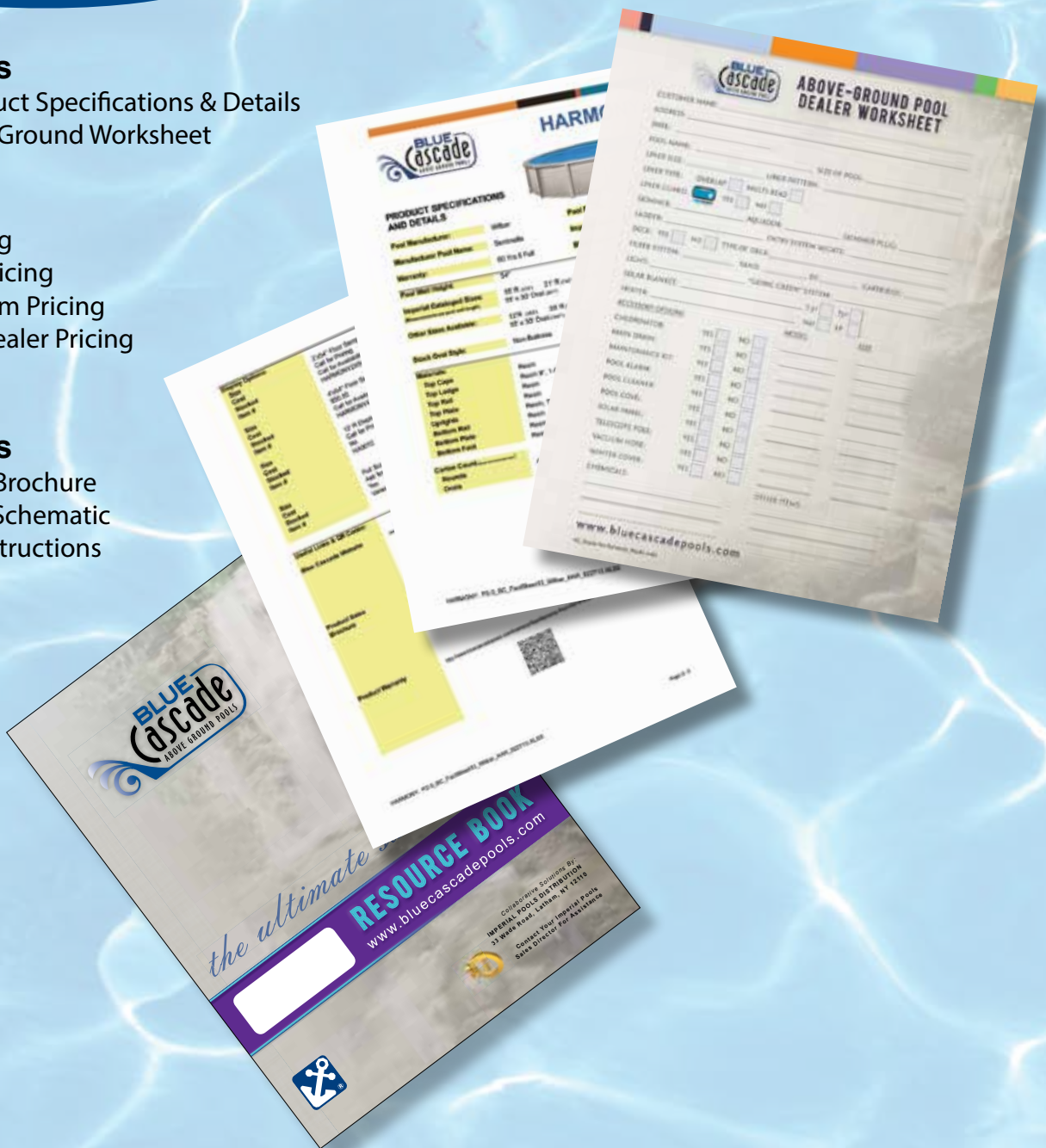
Contains Product Specifications & Details
Dealer Above-Ground Worksheet

Pricing

Package Pricing
Pool & Liner Pricing
Display Program Pricing
Customized Dealer Pricing

Links to Digital Files

Product Sales Brochure
Product Parts Schematic
Installation Instructions



Every above-ground pool is produced in North America and features a Vinyl Works deluxe vinyl liner, also manufactured in North America.



VINYL LINERS

Top Quality
True Guage





Blue Cascade's Retail Display

Presenting an attractive above ground pool display solution for your showroom!

- Durable & lightweight aluminum construction.
- All-weather resistant for outdoor display option.
- Easy to assemble.
- Retail store display (inside/outside), event display for fairs, open houses, home shows, and MORE!

CONTACT YOUR REGIONAL SALES DIRECTOR TO START EARNING YOUR REBATES TODAY!


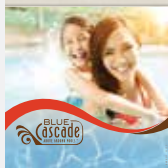
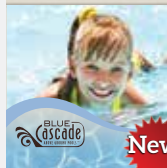

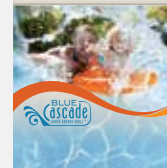

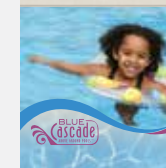



\$199.95

#AGBCSTAND DISPLAY

(Display shown includes available options.)

CHOOSE YOUR DISPLAY

THE ALEXANDER	THE BURGESS	THE CANYON	THE GENEVA	THE HARMONY	THE NEVADA	THE PEARL	THE VICTORIA
							
ALEXANDER # ALESTAND	BURGESS # BURSTAND	CANYON # CANSTAND	GENEVA # GENSTAND	HARMONY # HARSTAND	NEVADA # NEVSTAND	PEARL # PEASTAND	VICTORIA # VICSTAND
Qty. _____	Qty. _____	Qty. _____	Qty. _____	Qty. _____	Qty. _____	Qty. _____	Qty. _____

DISPLAY TOTAL \$ _____



www.bluecascadepools.com

CROSS-REFERENCE CHART



FEATURING 10 MODELS



Imperial Name	Canyon
Mfgr. Name	Canyon
BC Partner	Trevi



Imperial Name	Alexander
Mfgr. Name	Vantage
BC Partner	Wilbar



Imperial Name	Nevada
Mfgr. Name	Echo
BC Partner	Cornelius



Imperial Name	Pearl
Mfgr. Name	Java
BC Partner	Aqua Leader



Imperial Name	Victoria
Mfgr. Name	Century
BC Partner	Cornelius



Imperial Name	Harmony
Mfgr. Name	Sentinnelle
BC Partner	Aqua Leader



Imperial Name	Geneva
Mfgr. Name	Solstice
BC Partner	Wilbar



Imperial Name	Barron
Mfgr. Name	Oasis
BC Partner	Wilbar



Imperial Name	Burgess
Mfgr. Name	Avalon
BC Partner	Wilbar



Imperial Name	Sutherland
Mfgr. Name	Ultimate
BC Partner	Fabcote

Customize!

Pools..Your Way



It's Just Easy

Blue Cascade Above Ground **CUSTOMIZED** Pool Packages – **YOUR WAY!**

Tell us what you want - your discounted pricing applies!

Fully customized order forms.

Save time and make ordering your pool packages simple.

Items available from vendors including :



Pentair / STA-RITE



HAYWARD



The form is a detailed order sheet for Imperial Pools. It includes sections for:

- Customer Information:** Name, address, phone, email, and dealer name.
- Product Selection:** Multiple columns listing different pool models (e.g., The Summit, The Victoria, The All-American, The Mustang, The Canyon) with their respective sizes and features.
- Options and Accessories:** Checkboxes for various add-ons like ladders, gates, pumps, and filters.
- Summary and Pricing:** A table at the bottom summarizing the selected items and their costs.

BLUE.CASCADE.POOLS

THE NEVADA

www.BlueCascadePools.com

Features:

- 52" Pool Height
- 6" Top Rail
- 5" Steel Posts protected with polymer paint and Krystal Kote®
- Weatherized Polymer Coated Heavy Gage Steel Wall
- Vision Wall Design
- Form Fitting Support Caps

SIZES & SPECIFICATIONS



Round Pool 52"

Size/Feet

15' x 52"

18' x 52"

21' x 52"

24' x 52"



A-Brace Oval Pool 52"

Size/Feet

12' x 24' x 52"

16' x 26' x 52"



Warranty

2/20 Year Prorated



CAUTION: No Diving or Jumping. Above-ground pools are designed for swimming only.

At Blue Cascade Above Ground Pools, your family's security is our priority. Always ensure the proper supervision of children when around a swimming pool.



33 Wade Rd. Latham, NY 12110
www.imperialpools.com

Code: 25702NEV 01/18

THE GENEVA

www.BlueCascadePools.com

Features:

- 52" Pool Height
- 6" Steel Top Rail
- Sculpted Steel Uprights
- Starlite Exterior Wall Pattern
- Steel Stabilizer, Top Plate and Bottom Plate
- One Piece Ledge Cover
- Oval System Buttress Only

SIZES & SPECIFICATIONS



Round Pool 52"

Size/Feet

- 12' x 52" ●
- 15' x 52"
- 18' x 52"
- 21' x 52"
- 24' x 52"
- 27' x 52"



Oval Pool 52"

Size/Feet

- 12' x 24' x 52"
- 15' x 26' x 52" ●
- 15' x 30' x 52"

● - Non Stock - Special Order Only



Warranty

1 Year Full Warranty



CAUTION: No Diving or Jumping. Above-ground pools are designed for swimming only.

At Blue Cascade Above Ground Pools, your family's security is our priority. Always ensure the proper supervision of children when around a swimming pool.



Imperial POOLS INC.
REDEFINING ONE SOURCE

33 Wade Rd. Latham, NY 12110
www.imperialpools.com

Code: 25702GEN 01/18

BLUE.CASCADE.POOLS

THE VICTORIA

www.BlueCascadePools.com

Features:

- 52" Pool Height
- 7" Top Rail
- 6" Steel Posts protected with polymer paint and Krystal Kote®
- Weatherized Polymer Coated Heavy Gage Steel Wall
- Design Inspired Wall
- Interlocking Resin Caps and Foot Collar

SIZES & SPECIFICATIONS



Round Pool 52"

Size/Feet

- 12' x 52" ●
- 15' x 52"
- 18' x 52"
- 21' x 52"
- 24' x 52"
- 27' x 52"
- 30' x 52" ●
- 33' x 52" ●



A-Brace Oval Pool 52"

Size/Feet

- 12' x 24' x 52" ▲ ●
- 16' x 26' x 52" ▲
- 16' x 32' x 52" ▲ ●
- 18' x 33' x 52" ▲
- 18' x 38' x 52" ▲ ●
- 18' x 44' x 52" ▲ ●

▲ - Non Buttress System (NBS) pools are special order only

● - Non Stock - Special Order Only



Warranty
3/25 Year Prorated



CAUTION: No Diving or Jumping. Above-ground pools are designed for swimming only.

At Blue Cascade Above Ground Pools, your family's security is our priority. Always ensure the proper supervision of children when around a swimming pool.



33 Wade Rd. Latham, NY 12110
www.imperialpools.com

Code: 25702VIC 01/18

THE ALEXANDER

www.BlueCascadePools.com

Features:

- 52" Wall Height
- 9" Steel Top Ledge
- Steel Gray Uprights
- Steel Stabilizer, Top Plate, and Bottom Plate
- Gray Stained Glass Exterior Wall Pattern
- Two Piece Ledge Cover
- Oval System is Non-Buttress Only



SIZES & SPECIFICATIONS

Round Pool 52"

Size/Feet

- 15' x 52"
- 18' x 52"
- 21' x 52"
- 24' x 52"
- 27' x 52"
- 30" x 52"



Oval Pool 52"

Size/Feet

- 12' x 24' x 52" ●
- 15' x 24' x 52" ●
- 15' x 30' x 52"
- 18' x 33' x 52"



● - Non Stock - Special Order Only



Warranty
3 Year Full



CAUTION: No Diving or Jumping. Above-ground pools are designed for swimming only.

At Blue Cascade Above Ground Pools, your family's security is our priority. Always ensure the proper supervision of children when around a swimming pool.



33 Wade Rd. Latham, NY 12110
www.imperialpools.com

Code: 25702ALEX 01/19

THE BURGESS

www.BlueCascadePools.com

Features:

- 52" Wall Height
- 8" Resin Top Ledge
- Steel Chocolate Uprights
- Chocolate Gradated Microdot Exterior wall pattern
- Resin Stabilizer, Top Plate and Bottom Plate
- Two Piece Ledge Cover
- Oval System Non-Buttress Only

SIZES & SPECIFICATIONS



Round Pool 52"

Size/Feet

15' x 52"

18' x 52"

21' x 52"

24' x 52"

27' x 52"

30' x 52" ●



Oval Pool 52"

Size/Feet

12' x 24' x 52" ●

15' x 26' x 52" ●

15' x 30' x 52"

18' x 33' x 52"

● - Non Stock - Special Order Only



Warranty

4 Year Full Warranty



CAUTION: No Diving or Jumping. Above-ground pools are designed for swimming only.

At Blue Cascade Above Ground Pools, your family's security is our priority. Always ensure the proper supervision of children when around a swimming pool.



33 Wade Rd. Latham, NY 12110
www.imperialpools.com

Code:25702BUR 01/18

THE PEARL

Features:

- 52" Pool Height
- 7.5" Resin Top Ledge
- Brushed Silver Steel Uprights
- Silver Gray Corona Exterior Wall Pattern
- Resin Stabilizer, Top & Bottom Plate Rail
- Three Piece Ledge Cover
- Oval System Non-Buttress Only

SIZES & SPECIFICATIONS



Round Pool 52"

Size/Feet

- 12' x 52" ●
- 15' x 52"
- 18' x 52"
- 21' x 52"
- 24' x 52"
- 27' x 52"
- 30' x 52"



Oval Pool 52"

Size/Feet

- 12' x 24' x 52" ●
- 15' x 26' x 52" ●
- 15' x 30' x 52"
- 18' x 33' x 52"

● - Non Stock - Special Order Only



Warranty

4 Year Full



NOTE: *Oval uprights have a different appearance.

CAUTION: No Diving or Jumping. Above ground pools are designed for swimming only.

At Blue Cascade Above Ground Pools, your family's security is our priority. Always ensure the proper supervision of children when around a swimming pool.



33 Wade Rd. Latham, NY 12110
www.imperialpools.com

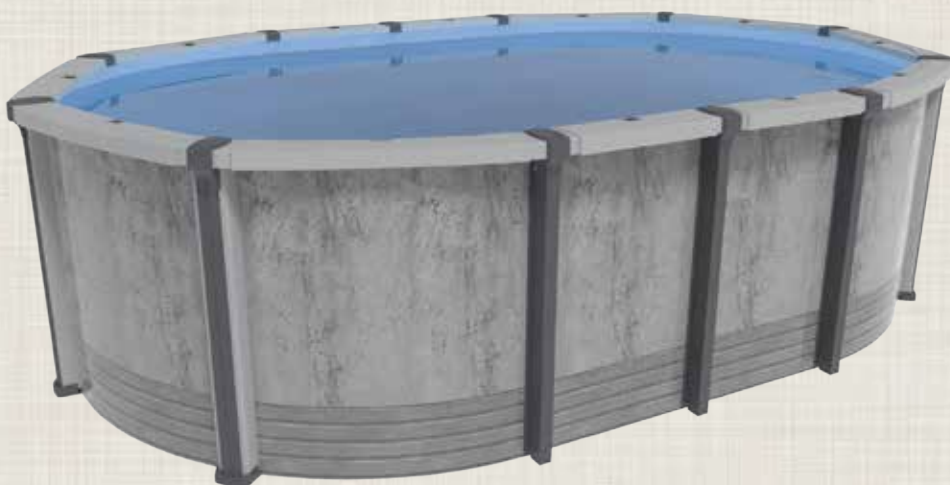
Code: 25702PEA 01/18

THE CANYON

www.BlueCascadePools.com

Features:

- 52" Pool Height
- True Radius Pool
- Wireless Solar LED Light Option
- 8" Scratch Resistant Resin Top Rail
- 7" Two-toned Resin Uprights
- Resin Joint Plates and Foot Covers
- Gray Rock Wall Design
- Injected Resin Bottom Track with Integrated Lock System
- Round and Non-buttress Oval



SIZES & SPECIFICATIONS

Round Pool 52"

Size/Feet

10' x 52" *	21' x 52"
12' x 52" *	24' x 52"
15' x 52"	27' x 52"
18' x 52"	



Oval Pool 52"

Size/Feet

15' x 26' x 52"
18' x 33' x 52"
10' x 16' x 52" *
10' x 21' x 52" *
13' x 17' x 52" *
13' x 21' x 52" *
15' x 20' x 52" *
15' x 31' x 52" *
18' x 38' x 52" *
18' x 44' x 52" *



* Non-stock -
Special Order Only



Warranty 4/30
30 Year Prorated
Including 4 years full



CAUTION: No Diving or Jumping. Above-ground pools are designed for swimming only.

At Blue Cascade Above Ground Pools, your family's security is our priority. Always ensure the proper supervision of children when around a swimming pool.



33 Wade Rd. Latham, NY 12110
www.imperialpools.com

Code: 25702CAN 08/18

THE HARMONY

www.BlueCascadePools.com

Features:

- 54" Pool Height
- 9" True Radius Resin Ledges
- 7" Resin Uprights
- Oval System Non-Buttress Only
- Galaxy Wall
- Resin Plates & Rails
- One Piece Ledge Covers & Foot Covers

SIZES & SPECIFICATIONS



Round Pool 54"

Size/Feet

- 12' x 54" ●
- 15' x 54" ●
- 18' x 54"
- 21' x 54"
- 24' x 54"
- 27' x 54"
- 30' x 54"
- 33' x 54" ●



Oval Pool 54"

Size/Feet

- 12' x 24' x 54" ●
- 15' x 26' x 54" ●
- 15' x 30' x 54"
- 18' x 33' x 54"
- 18' x 40' x 54" ●
- 21' x 43' x 54" ●

● - Non Stock - Special Order Only



Warranty

5 Year Full



CAUTION: No Diving or Jumping. Above-ground pools are designed for swimming only.

At Blue Cascade Above Ground Pools, your family's security is our priority. Always ensure the proper supervision of children when around a swimming pool.



33 Wade Rd. Latham, NY 12110
www.imperialpools.com

THE BARRON

www.BlueCascadePools.com

Features:

- 54" Wall Height
- 8" Aluminum Top Ledge
- Aluminum Uprights
- Aluminum Slat Wall Design
- Aluminum Stabilizer
- Steel Top Plate
- Resin Bottom Plate
- Three Piece Ledge Cover
- Oval System Non-Buttress Only

SIZES & SPECIFICATIONS



Round Pool 54"

Size/Feet

- 15' x 54" ●
- 18' x 54" ●
- 20' x 54" ●
- 24' x 54" ●
- 28' x 54" ●



Oval Pool 54"

Size/Feet

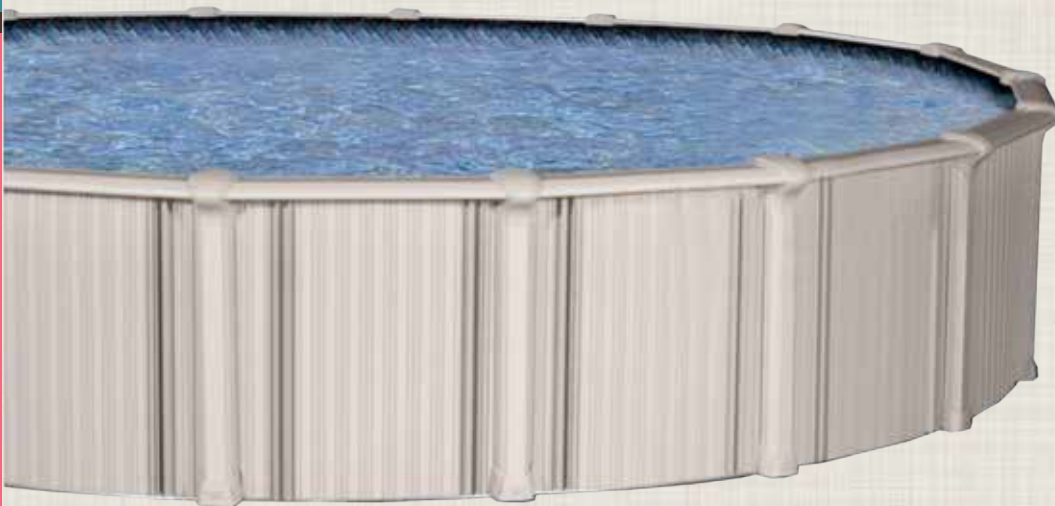
- 12' x 24' x 54" ●
- 15' x 26' x 54" ●
- 15' x 30' x 54" ●
- 18' x 33' x 52" ●

● - Non Stock - Special Order Only



Warranty

5 Year Full Warranty



CAUTION: No Diving or Jumping. Above-ground pools are designed for swimming only.

At Blue Cascade Above Ground Pools, your family's security is our priority. Always ensure the proper supervision of children when around a swimming pool.



33 Wade Rd. Latham, NY 12110
www.imperialpools.com

Code:25702BAR 01/18

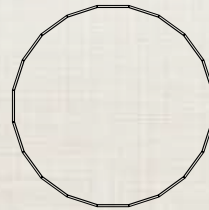
THE SUTHERLAND

www.BlueCascadePools.com

Features:

- Can be installed *Aboveground, or Semi-Inground*
- 52" Pool Height
- 2 Top Rail Coping options to choose from
- 14 Gauge Galvanized Powder Coated Steel Walls
- Buttress Free Ovals
- Inground Quality Skimmer and Return
- Hardware, Drive Stakes, Joint Covers included

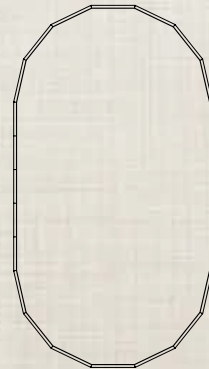
SIZES & SPECIFICATIONS



Round Pool 52"

Size/Feet

- 15' x 52"
- 18' x 52"
- 21' x 52"
- 24' x 52"
- 28' x 52"



Oval Pool 52"

Size/Feet

- 15' x 24'
- 15' x 30'
- 17' x 32'



Warranty

Limited Lifetime



Sizes & Shapes	Square Feet	Gallons
15' Round	165	5,000
18' Round	257	7,710
21' Round	334	10,020
24' Round	459	13,770
28' Round	608	18,240
15x24 Oval	296	8,880
15x30 Oval	383	11,490
17x32 Oval	480	14,400

* Standard Water Depth is 4' on all sizes

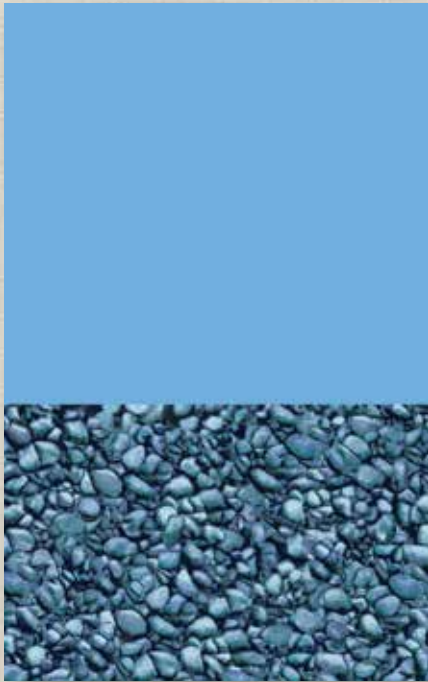


CAUTION: No Diving or Jumping. Above ground pools are designed for swimming only.

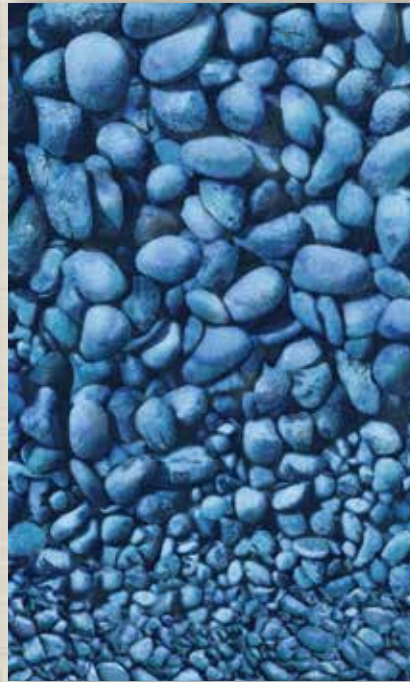
At Blue Cascade Above Ground Pools, your family's security is our priority. Always ensure the proper supervision of children when around a swimming pool.



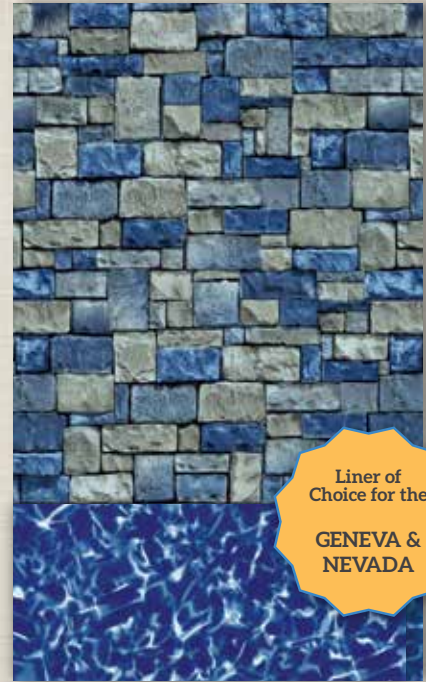
33 Wade Rd. Latham, NY 12110
www.imperialpools.com



Blue Wall
with Pebble Floor
20 Gauge / Overlap Liners
Fits up to 54" wall

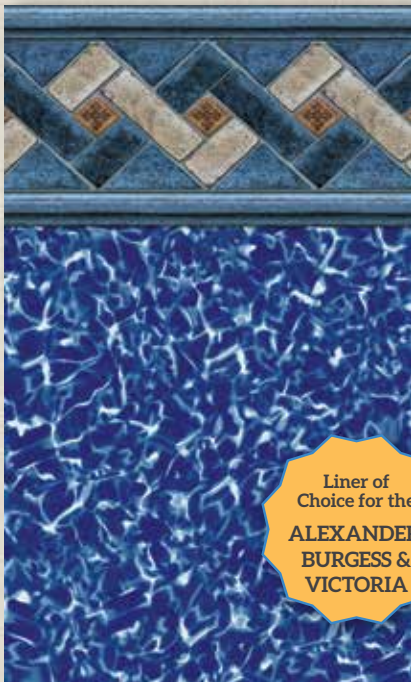


Castle Rock
with Pebble Floor
20 Gauge / Overlap Liners
Fits up to 54" wall



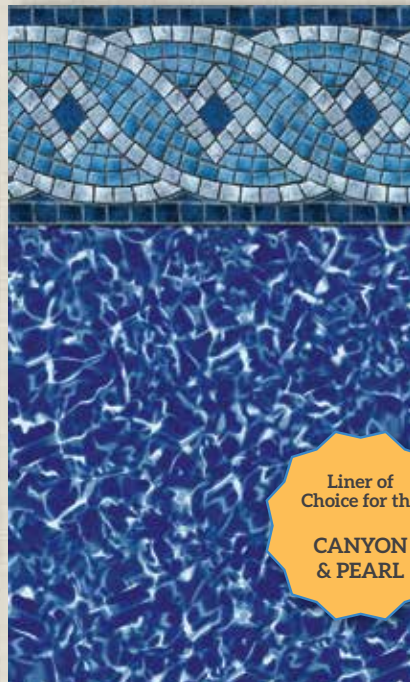
Fieldstone
with Sundance Floor
20 Gauge / Overlap Liners
Fits up to 54" wall

Liner of
Choice for the
**GENEVA &
NEVADA**



Ventura
with Sundance Floor
20 Gauge
48" & 52" MultiBead

Liner of
Choice for the
**ALEXANDER,
BURGESS &
VICTORIA**



Princeton
with Sundance Floor
25 Gauge
52" & 54" MultiBead

Liner of
Choice for the
**CANYON
& PEARL**



Fusion
with Radiance Floor
"FULL" 28 Gauge
52" & 54" MultiBead

**EXCLUSIVE
LINER!**
for the **BARRON,
ECOTHERM,
HARMONY &
SUTHERLAND**

ABOVEGROUND

POOLS

STEEL POOLS

NEVADA - 52" WALL



- 52" Pool Height
- 6" Top Rail
- 5" Steel Posts protected with polymer paint and Krystal Kote®
- Weatherized Polymer Coated Heavy Gage Steel Wall Vision Wall Design
- Form Fitting Support Caps
- Fieldstone is the "Liner of Choice" for this pool
- 20 Year Warranty

Imperial No.	Description
NE0018	18' Round Pool Only
NE0021	21' Round Pool Only
NE0024	24' Round Pool Only
NE1224	12' x 24' Oval Buttress Pool Only
NE1626	16' x 26' Oval Buttress Pool Only

GENEVA - 52" WALL



- 52" Pool Height
- 6" Steel Top Rail
- Sculpted Steel Uprights
- Starlite Exterior Wall Pattern
- Steel Stabilizer, Top Plate and Bottom Plate
- One Piece Ledge Cover
- Oval System Buttress Only
- Fieldstone is the "Liner of Choice" for this pool
- Limited Warranty

Imperial No.	Description
GE0015	15' Round Pool Only
GE0018	18' Round Pool Only
GE0021	21' Round Pool Only
GE0024	24' Round Pool Only
GE0027	27' Round Pool Only
GE1224	12' x 24' Oval Pool Only
GE1526	15' x 26' Oval Pool Only
GE1530	15' x 30' Oval Pool Only

VICTORIA - 52" WALL



- 52" Pool Height
- 7" Top Rail
- 6" Steel Posts protected with polymer paint and Krystal Kote®
- Weatherized Polymer Coated Heavy Gage Steel Wall
- Design-inspired Wall
- Interlocking Resin Caps and foot collar
- Ventura is the "Liner of Choice" for this pool
- 25 Year Warranty

Imperial No.	Description
VI0015	15' Round Pool Only
VI0018	18' Round Pool Only
VI0021	21' Round Pool Only
VI0024	24' Round Pool Only
VI0027	27' Round Pool Only
VI0030	30' Round Pool Only
VI1626	16' x 26' Oval Buttress Pool Only
VI1833	18' x 33' Oval Buttress Pool Only

ABOVEGROUND POOLS

STEEL POOLS

ALEXANDER - 52" WALL



- 52" Wall Height
- 9" Steel Top Ledge
- Steel Gray Uprights
- Steel Stabilizer, Top Plate, and Bottom Plate
- Gray Stained Glass Exterior Wall Pattern
- Two Piece Ledge Cover
- Oval System is Non-Buttress Only
- 3 Year Full Warranty

Imperial No.	Description
AX0015	15' Round Pool Only
AX0018	18' Round Pool Only
AX0021	21' Round Pool Only
AX0024	24' Round Pool Only
AX0027	27' Round Pool Only
AX0030	30' Round Pool Only
AX1524	15' x 24' Oval Pool Only
AX1530	15' x 30' Oval Pool Only
AX1833	18' x 33' Oval Pool Only

HYBRID POOLS

BURGESS - 52" WALL



- 52" Pool Height
- 8" Resin Top Ledge
- Steel Chocolate Uprights
- Chocolate Gradated Microdot Exterior Wall Pattern
- Resin Stabilizer, Top Plate and Bottom Plate
- Two Piece Ledge Cover
- Oval System Buttress Only
- 4 Year Full Warranty
- Ventura is the "Liner of Choice" for this pool

Imperial No.	Description
BU0015	15' Round Pool Only
BU0018	18' Round Pool Only
BU0021	21' Round Pool Only
BU0024	24' Round Pool Only
BU0027	27' Round Pool Only
BU1530	15' x 30' Oval Pool Only
BU1833	18' x 33' Oval Pool Only

PEARL - 52" WALL



- 52" Pool Height
- 7.5" Resin Top Ledge
- Brushed Silver Steel Uprights
- Silver Gray Corona Exterior Wall Pattern
- Resin Stabilizer, Top & Bottom Plate & Rail
- Three Piece Ledge Cover
- Oval System Non-Buttress Only
- 60 Year Limited Warranty, 3 Year Full
- Princeton is the "Liner of Choice" for this pool

Imperial No.	Description
PE0015	15' Round Pool Only
PE0018	18' Round Pool Only
PE0021	21' Round Pool Only
PE0024	24' Round Pool Only
PE0027	27' Round Pool Only
PE0030	30' Round Pool Only
PE1530	15' x 30' Oval Pool Only
PE1833	18' x 33' Oval Pool Only

ABOVEGROUND POOLS

RESIN POOLS

CANYON - 52" WALL



- 52" Pool Height
- True Radius Pool
- Wireless Solar LED Light Option
- 8" Scratch Resistant Resin Top Rail
- 7" Two-toned resin uprights
- Resin joint plates and foot covers
- Gray Rock Wall Design
- Injected Resin bottom track with integrated lock system
- Round and Non-buttress Oval
- 4 Year Full Warranty

Imperial No.	Description
CN0015	15' Round Pool Only
CN0018	18' Round Pool Only
CN0021	21' Round Pool Only
CN0024	24' Round Pool Only
CN0027	27' Round Pool Only
CN1526NB	15' x 26' Oval Pool Only
CN1833NB	18' x 33' Oval Pool Only

HARMONY - 54" WALL



- 9" Resin Ledge
- 7" resin Upright
- All Resin Top/Bottom Tracks
- All Resin Caps and Plates
- Galaxy Wall Pattern
- Buttress-less Ovals
- 5 Year Full Warranty
- Fusion is the "Liner of Choice" for this pool

Imperial No.	Description
HA0018	18' Round Pool Only
HA0021	21' Round Pool Only
HA0024	24' Round Pool Only
HA0027	27' Round Pool Only
HA0030	30' Round Pool Only
HA1530	15' x 30' Buttressless Pool Only
HA1833	18' x 33' Buttressless Pool Only



NEVADA

Round: 8', 10', 12', 15', 18', 21', 24', 27', 30'
Oval: 12'x18', 12'x24', 16'x26', 16'x32', 18'x33', 18'x44'

STEEL



VICTORIA

Round: 8', 12', 15', 18', 21', 24', 27', 30', 33'
Oval: 12'x18', 12'x24', 16'x26', 16'x32', 18'x33', 18'x38', 18'x44'

STEEL



CANYON

Round: 10', 12', 15', 18', 21', 24', 27', 30', 33'
Oval: 10'x16', 10'x21', 13'x17', 13'x23', 15'x20', 15'x26', 15'x31', 18'x33', 18'x38', 18'x44'

RESIN

- 6" Painted Galvanized Steel Ledges - MIST
- Painted Galvanized Steel Top and Bottom Tracks
- Galvanized Steel Top and Bottom Connectors
- 2-Piece Injected Resin Top Caps
- 5" Painted Galvanized Steel Uprights - MIST
- VISION Wall Pattern

- 7" Painted Galvanized Steel Top Ledges - SEPIA
- Painted Galvanized Steel Top and Bottom Tracks
- Galvanized Steel Top Connectors
- 2-Piece Injected Resin Top Caps
- 6" Painted Galvanized Steel Uprights - SEPIA
- CORAL Wall Pattern
- 1-Piece Injected Resin Foot Collars / Bottom Connectors

- 8" Injected Resin Top Ledges - URBAIN
- Injected Resin Top Connectors
- Injected Resin Top and Bottom Tracks
- 1-Piece Injected Resin Caps
- 7" Co-extruded Resin Uprights (URBAIN / SLATE)
- GRAYROK Wall Pattern
- 1-Piece Injected Resin Foot Collars / Bottom Connectors

CORNELIUSPOOLS.COM

Order online at: www.imperialpools.com/b2b

ABOVEGROUND POOLS

SEMI-ONGROUND POOLS

SUTHERLAND - 52" WALL



- Can be installed Aboveground, or Semi-Inground
- 52" Pool Height
- 3 Top Rail Coping options to choose from
- 14 Gauge Galvanized Powder Coated Steel Walls
- Buttress Free Ovals
- Inground Quality Skimmer and Return
- Hardware, Drive Stakes, Joint Covers included
- Lifetime Warranty

Imperial No.	Part Number	Description
SU0018SW	FB30S18R	18' Round Pool Only With Synthetic Wood Coping
SU0021SW		21' Round Pool Only With Synthetic Wood Coping
SU0024SW	FB30S24R	24' Round Pool Only With Synthetic Wood Coping
SU0028SW	FB30S28R	28' Round Pool Only With Synthetic Wood Coping
SU1524SW		15' x 24' Oval Pool Only With Synthetic Wood Coping
SU1530SW	FB30S1530V	15' x 30' Oval Pool Only With Synthetic Wood Coping
SU1632GSW		16' x 32' Grecian Pool Only With Synthetic Wood Coping

Other pool sizes are available for special order.

SUTHERLAND

SUTHERLAND SIDING KITS



Siding kits are only available for round pools.

Imperial No.	Part Number	Description
FB3015	FB-30-15	For 15' Round Aboveground Pools
FB3018	FB-30-18	For 18' Round Aboveground Pools
FB3021	FB-30-21	For 21' Round Aboveground Pools
FB3024	FB-30-24	For 24' Round Aboveground Pools
FB3028	FB-30-28	For 28' Round Aboveground Pools
FB3015H	FB-30-15H	For 15' Round Semi-Inground Pools
FB3018H	FB-30-18H	For 18' Round Semi-Inground Pools
FB3021H	FB-30-21H	For 21' Round Semi-Inground Pools
FB3024H	FB-30-24H	For 24' Round Semi-Inground Pools
FB3028H	FB-30-28H	For 28' Round Semi-Inground Pools

SUTHERLAND LINERS - FUSION TILE - RADIANCE FLOOR - STANDARD BEAD



Imperial No.	Description
147151FXFSN	15' Round
147155FXFSN	18' Round
147157FXFSN	21' Round
147160FXFSN	24' Round
147163FXFSN	28' Round
147167FXFSN	15' x 24' Oval
147169FXFSN	15' x 30' Oval
147183FXFSN	16' x 32' Grecian

The Sutherland



ABOVEGROUND

SEMI-INGROUND

INGROUND

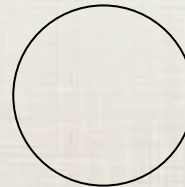


Features:

- Can be installed Onground, Inground, or Semi-Inground
- 52" Pool Height
- 2" R-10 non-corrosive AlumiPly™ insulated wall panels
- Energy efficient Swimsulate™ Technology
- Round, Oval, and Kidney Standard Shapes and Sizes
- Perfect for Sloped Landscapes
- Extends your swimming season up to 8 weeks



SIZES & SPECIFICATIONS



Round Pool

12' diameter
16' diameter
18' diameter
21' diameter
24' diameter
27' diameter
30' diameter



Oval Pool

12' x 24'
16' x 24'
16' x 28'
16' x 32'
18' x 34'



Kidney Pool

16' x 26'
18' x 32'

All in 52" depth



CAUTION: No Diving or Jumping.
Aboveground pools are designed for swimming only.

Your family's security is our priority. Always ensure the proper supervision of children when around a swimming pool.



33 Wade Rd. Latham, NY 12110
www.imperialpools.com

Code: 25702ECO 05/19



ECOTHERM™

Swimming Pool

Jump in! The Water's Warm



Your swimming season just got longer! Why? Because you chose **the ECOTHERM™ Swimming Pool with Swimsulate™ Technology**. The ECOTHERM™ Pool keeps the water in your pool warmer for a longer period of time and can extend your swimming season up to 8 weeks, with no heater... and that's pretty cool!

The ECOTHERM™ also gives you amazing versatility, allowing this pool to be installed **onground, inground, or semi-inground!** Every ECOTHERM™ Pool is produced in North America and features a Vinyl Works deluxe interior finish™, also manufactured in North America.

ABOVEGROUND POOLS

ECOTHERM ROUND



Imperial No.	Part Number	Description
ET0012		12' Round Pool Only
ET0016		16' Round Pool Only
ET0018	IN18	18' Round Pool Only
ET0021		21' Round Pool Only
ET0024	IN24	24' Round Pool Only
ET0027	IN27	27' Round Pool Only
ET0030	IN30	30' Round Pool Only

WITH 8FT STEP PROVISION



Imperial No.	Part Number	Description
ET0012SP	IN0012	12' Round Pool Only
ET0016SP		16' Round Pool Only
ET0018SP		18' Round Pool Only
ET0021SP		21' Round Pool Only
ET0024SP		24' Round Pool Only
ET0027SP		27' Round Pool Only
ET0030SP		30' Round Pool Only

OVAL



Imperial No.	Part Number	Description
ET1216		12'x16' Oval Pool Only
ET1220		12'x20' Oval Pool Only
ET1224	IN1224	12'x24' Oval Pool Only
ET1624	IN1624	16'x24' Oval Pool Only
ET1628	IN1628	16'x28' Oval Pool Only
ET1632	IN1632	16'x32' Oval Pool Kit

WITH 8FT STEP PROVISION



Imperial No.	Description
ET1216SP	12'x16' Oval Pool Only
ET1220SP	12'x20' Oval Pool Only
ET1224SP	12'x24' Oval Pool Only
ET1624SP	16'x24' Oval Pool Only
ET1628SP	16'x28' Oval Pool Only
ET1632SP	16'x32' Oval Pool Only

FLAT BACK KIDNEY



Imperial No.	Description
ET1626	16'x26' Flat Back Kidney Pool Only
ET1832	18'x32' Flat Back Kidney Pool Only

WITH 8FT STEP PROVISION

Imperial No.	Description
ET1626SP	16'x26' Flat Back Kidney Pool Only
ET1832SP	18'x32' Flat Back Kidney Pool Only

2 IN COPING KIT

ROUND



Imperial No.	Description
2ET0012	12' Round - Coping Kit 2"
2ET0016	16' Round - Coping Kit 2"
2ET0018	18' Round - Coping Kit 2"
2ET0021	21' Round - Coping Kit 2"
2ET0024	24' Round - Coping Kit 2"
2ET0027	27' Round - Coping Kit 2"
2ET0030	30' Round - Coping Kit 2"

OVAL



Imperial No.	Description
2ET1216	12'x16' Oval - Coping Kit 2"
2ET1220	12'x20' Oval - Coping Kit 2"

ABOVEGROUND POOLS

ECOTHERM

2 IN COPING KIT



OVAL

Imperial No.	Description
2ET1224	12'x24' Oval - Coping Kit 2"
2ET1624	16'x24' Oval - Coping Kit 2"
2ET1628	16'x28' Oval - Coping Kit 2"
2ET1632	16'x32' Oval - Coping Kit 2"

FLAT BACK KIDNEY



Imperial No.	Description
2ET1626	16'x26' Flat Back Kidney - Coping Kit 2"
2ET1832	18'x32' Flat Back Kidney - Coping Kit 2"

4 IN COPING KIT

ROUND



Imperial No.	Description
4ETO012	12' Round - Coping Kit 4"
4ETO016	16' Round - Coping Kit 4"
4ETO018	18' Round - Coping Kit 4"
4ETO021	21' Round - Coping Kit 4"
4ETO024	24' Round - Coping Kit 4"
4ETO027	27' Round - Coping Kit 4"
4ETO030	30' Round - Coping Kit 4"

OVAL



Imperial No.	Description
4ET1216	12'x16' Oval - Coping Kit 4"
4ET1220	12'x20' Oval - Coping Kit 4"
4ET1224	12'x24' Oval - Coping Kit 4"
4ET1624	16'x24' Oval - Coping Kit 4"
4ET1628	16'x28' Oval - Coping Kit 4"
4ET1632	16'x32' Oval - Coping Kit 4"

LINER

ROUND



Imperial No.	Description
147121ETFSN	12' Round
147152ETFSN	16' Round
147155ETFSN	18' Round
147157ETFSN	21' Round
147160ETFSN	24' Round
147162ETFSN	27' Round
147164ETFSN	30' Round

ROUND WITH 8 FT STEP PROVISION



Imperial No.	Description
147121ETFSN-SP	12' Round With Step Provision
147152ETFSN-SP	16' Round With Step Provision
147155ETFSN-SP	18' Round With Step Provision
147157ETFSN-SP	21' Round With Step Provision
147160ETFSN-SP	24' Round With Step Provision
147162ETFSN-SP	27' Round With Step Provision
147164ETFSN-SP	30' Round With Step Provision

OVAL



Imperial No.	Description
147128ETFSN	16'x28' Oval
147163ETFSN	12'x16' Oval
147165ETFSN	12'x24' Oval
147166ETFSN	12'x20' Oval
147170ETFSN	16'x24' Oval
147171ETFSN	16'x32' Oval

ABOVEGROUND POOLS

ECOTHERM

LINER

OVAL WITH 8 FT STEP PROVISION

Imperial No.	Description
147128ETFSN-SP	16'x28' Oval With Step Provision
147163ETFSN-SP	12'x16' Oval With Step Provision
147165ETFSN-SP	12'x24' Oval With Step Provision
147166ETFSN-SP	12'x20' Oval With Step Provision
147170ETFSN-SP	16'x24' Oval With Step Provision
147171ETFSN-SP	16'x32' Oval With Step Provision

FLAT BACK KIDNEY

Imperial No.
147161ETFSN
147167ETFSN

FLAT BACK KIDNEY WITH 8 FT STEP PROVISION

Imperial No.	Description
147161ETFSN-SP	16'x26' Flat Back Kidney
147167ETFSN-SP	18'x32' Flat Back Kidney

WINTER COVERS

ROUND

Imperial No.	Part Number	Description
ET0012WC		12' Round Winter Cover
ET0016WC		16' Round Winter Cover
ET0018WC		18' Round Winter Cover
ET0021WC		21' Round Winter Cover
ET0024WC		24' Round Winter Cover
ET0027WC	27FT WINTER COVER	27' Round Winter Cover
ET0030WC		30' Round Winter Cover

OVAL

Imperial No.	Part Number	Description
ET1216WC		12' x 16' Oval Winter Cover
ET1220WC		12' x 20' Oval Winter Cover
ET1224WC	12X24 OVAL WINTER COVER	12' x 24' Oval Winter Cover
ET1624WC		16' x 24' Oval Winter Cover
ET1628WC		16' x 28' Oval Winter Cover
ET1632WC	16X32 OVAL WINTER COVER	16' x 32' Oval Winter Cover

As many homeowners continue to focus on staycation, give your customers a chance to enjoy and enhance their backyard with a QUALITY above ground pool.



ABOVEGROUND

LINERS

BLUE WALL - PEBBLE FLOOR

48/52/54" WALL - OVERLAP - 20G



Imperial No.	Description
146212P	12' Round
146215P	15' Round
146218P	18' Round
146220P	20' Round
146221P	21' Round
146224P	24' Round
146227P	27' Round
146228P	28' Round
1463300P	30' Round
1461217P	12' X 17' Oval
146828P	12' x 18' Oval
146234P	12' x 24' Oval
146235P	15' x 24' Oval
146225P	15' x 25' Oval
146230P	15' x 30' Oval
146232P	16' x 32' Oval
146233P	18' x 33' Oval

CASTLE ROCK WALL - PEBBLE FLOOR

48/52/54" WALL - OVERLAP - 20G



Imperial No.	Description
146212CAS	12' Round
146215CAS	15' Round
146218CAS	18' Round
146221CAS	21' Round
146224CAS	24' Round
146227CAS	27' Round
146228CAS	28' Round
1463300CAS	30' Round
1463333CAS	33' Round
146828CAS	12' x 18' Oval
146234CAS	12' x 24' Oval
146235CAS	15' x 24' Oval
146225CAS	15' x 25' Oval
146230CAS	15' x 30' Oval
146232CAS	16' x 32' Oval
146233CAS	18' x 33' Oval

FIELDSTONE WALL - SUNDANCE FLOOR

48/52/54" WALL - OVERLAP - 20G



Imperial No.	Description
146212FLS	12' Round
146215FLS	15' Round
146218FLS	18' Round
146221FLS	21' Round
146224FLS	24' Round
146227FLS	27' Round
146228FLS	28' Round
1463300FLS	30' Round
1463333FLS	33' Round
146828FLS	12' x 18' Oval
146234FLS	12' x 24' Oval
146235FLS	15' x 24' Oval
146225FLS	15' x 25' Oval
146266FLS	15' x 26' Oval
146230FLS	15' x 30' Oval
146232FLS	16' x 32' Oval
146233FLS	18' x 33' Oval

ABOVEGROUND

LINERS

VENTURA TILE - SUNDANCE FLOOR

48" WALL - MULTI-BEAD - 20G



Imperial No.	Description
147012MVEN	12' Round
147015MVEN	15' Round
147018MVEN	18' Round
147021MVEN	21' Round
147024MVEN	24' Round
147027MVEN	27' Round
147028MVEN	28' Round
147030MVEN	30' Round
147124MVEN	12' x 24' Oval
147115MVEN	15' x 24' Oval
147125MVEN	15' x 25' Oval
147130MVEN	15' x 30' Oval
147132MVEN	16' x 32' Oval
147133MVEN	18' x 33' Oval
147166MVEN	16' X 24' Oval

52" WALL - MULTI-BEAD - 20G



Imperial No.	Description
147121MVEN	12' Round
147151MVEN	15' Round
147155MVEN	18' Round
147157MVEN	21' Round
147160MVEN	24' Round
147162MVEN	27' Round
147163MVEN	28' Round
147164MVEN	30' Round
147333MVEN	33' Round
147165MVEN	12' x 24' Oval
147167MVEN	15' x 24' Oval
147168MVEN	15' x 25' Oval
147169MVEN	15' x 30' Oval
147170MVEN	16' x 24' Oval
1471626MVEN	16' x 26' Oval
147171MVEN	16' x 32' Oval
147172MVEN	18' x 33' Oval

52" WALL - ESTHER WILLIAMS/JOHNNY WIESS MULLER BEAD - 20G



Imperial No.	Description
148018VENEW	18' Round
148021VENEW	21' Round
148024VENEW	24' Round
148027VENEW	27' Round
148124VENEW	12' x 24' Oval
148130VENEW	15' x 30' Oval
148133VENEW	18' x 33' Oval

PRINCETON TILE - SUNDANCE FLOOR

52" WALL - MULTI-BEAD - 20G



Imperial No.	Description
137151MPRN	15' Round
137155MPRN	18' Round
137157MPRN	21' Round
137160MPRN	24' Round
137162MPRN	27' Round
137163MPRN	28' Round
137164MPRN	30' Round
137333MPRN	33' Round
137165MPRN	12' x 24' Oval
137167MPRN	15' x 24' Oval
137168MPRN	15' x 25' Oval
137169MPRN	15' X 30' Oval
137170MPRN	16' X 24' Oval

ABOVEGROUND

LINERS

PRINCETON TILE - SUNDANCE FLOOR

52" WALL - MULTI-BEAD - 20G

Imperial No.	Description
137171MPRN	16' x 32' Oval
137172MPRN	18' x 33' Oval

52" WALL - MULTI-BEAD - 25G



Imperial No.	Description
147151MPRN	15' Round
147155MPRN	18' Round
147157MPRN	21' Round
147160MPRN	24' Round
147162MPRN	27' Round
147163MPRN	28' Round
147164MPRN	30' Round
147333MPRN	33' Round
1471217MPRN	12' X 17' Oval
147165MPRN	12' x 24' Oval
147167MPRN	15' x 24' Oval
147168MPRN	15' x 25' Oval
147169MPRN	15' x 30' Oval
147170MPRN	16' x 24' Oval
147171MPRN	16' x 32' Oval
147172MPRN	18' x 33' Oval

54" WALL - MULTI-BEAD - 25G



Imperial No.	Description
147121MPRN54	12' Round
147151MPRN54	15' Round
147155MPRN54	18' Round
147157MPRN54	21' Round
147160MPRN54	24' Round
147162MPRN54	27' Round
147163MPRN54	28' Round
147164MPRN54	30' Round
147333MPRN54	33' Round
147165MPRN54	12' x 24' Oval
147167MPRN54	15' x 24' Oval
147168MPRN54	15' x 25' Oval
147169MPRN54	15' x 30' Oval
147170MPRN54	16' x 24' Oval
147126MPRN54	16' x 26' Oval
147171MPRN54	16' x 32' Oval
147172MPRN54	18' x 33' Oval

45" WALL - ON GROUND - 90° CORNERS - STANDARD BEAD - 25G



Imperial No.	Description
147120PRN	12' x 20' Rectangle
147114PRN	12' x 24' Rectangle
147116PRN	16' x 24' Rectangle
1471632PRN	16' x 32' Rectangle

46" WALL - ON GROUND - 8.5" DIAGONAL CORNERS - WILKES BEAD - 25G



Imperial No.	Description
147120PRNWB	12' x 20' Rectangle
147114PRNWB	12' x 24' Rectangle
147116PRNWB	16' x 24' Rectangle
1471632PRNWB	16' x 32' Rectangle

ABOVEGROUND

LINERS

FUSION TILE - RADIANCE FLOOR

52" WALL - MULTI-BEAD - 28G



Imperial No.	Description
147151MFSN	15' Round
147155MFSN	18' Round
147157MFSN	21' Round
147160MFSN	24' Round
147162MFSN	27' Round
147163MFSN	28' Round
147164MFSN	30' Round
147333MFSN	33' Round
147165MFSN	12' x 24' Oval
147167MFSN	15' x 24' Oval
147168MFSN	15' x 25' Oval
147126MFSN	15' x 26' Oval
147169MFSN	15' x 30' Oval
147170MFSN	16' x 24' Oval
147171MFSN	16' x 32' Oval
147172MFSN	18' x 33' Oval

54" WALL - MULTI-BEAD - 28G



Imperial No.	Description
147151MFSN54	15' Round
147155MFSN54	18' Round
147157MFSN54	21' Round
147160MFSN54	24' Round
147162MFSN54	27' Round
147163MFSN54	28' Round
147164MFSN54	30' Round
147333MFSN54	33' Round
147165MFSN54	12' x 24' Oval
147167MFSN54	15' x 24' Oval
147168MFSN54	15' x 25' Oval
147126MFSN54	15' x 26' Oval
147169MFSN54	15' x 30' Oval
147170MFSN54	16' x 24' Oval
147171MFSN54	16' x 32' Oval
147172MFSN54	18' x 33' Oval

52" WALL - STANDARD BEAD - 28G (SUTHERLAND POOL ONLY)



Imperial No.	Description
147151FXFSN	15' Round
147155FXFSN	18' Round
147157FXFSN	21' Round
147160FXFSN	24' Round
147163FXFSN	28' Round
147169FXFSN	15' x 30' Oval

ABOVEGROUND LINERS

ACCESSORIES

LINER GUARD

Liner Guard protects your liner from sharp objects that work their way through sand base and puncture the liner, cushioning it and creating a softer pool bottom.



Imperial No.	Part Number	Description
HPILG15R	LG15R	15' Round Pool Size
HPILG18R	LG18R	18' Round Pool Size
HPILG21R	LG21R	21' Round Pool Size
HPILG24R	LG24R	24' Round Pool Size
HPILG28R	LG28R	28' Round Pool Size
HPILG30R	LG30R	30' Round Pool Size
HPILG1530OV	LGI1530OV	15'x30' Oval Pool Size
HPILG1833OV	LG1833OV	18'x33' Oval Pool Size
HPILG1632R	LG1632R	16' x 32' Rectangle Pool Size

POOL COVE & COPING



Imperial No.	Part Number	Description
146158	SCLIP	Beaded Liner Hanger 40 - 53" sections per case.
149965	PC192	High Density Foam Pool Cove. 4ft. Sections. 48 per case.
151663	WM-802	Universal Above Ground Pool Plastic Coping 37.7" 100 Per CS

Pool Size	Pieces Needed
15' Round	11
18' Round	13
21' Round	15
24' Round	17
27' Round	20
30' Round	22
12' x 24' Oval	14
16' x 32' Oval	19
18' x 33' Oval	20

Pool Size	Pieces Needed
15' Round	12
18' Round	15
21' Round	17
24' Round	19
27' Round	22
30' Round	24
12' x 24' Oval	16
16' x 32' Oval	21
18' x 33' Oval	22

STEPS & LADDERS

OCEAN BLUE



Imperial No.	Part Number	Description
145164	400200	A-Frame Safety Ladder
145175	400201	Conversion Kit For A-Frame Safety Ladder

CONFER

ENTRY SYSTEM & DROP IN STEPS



Imperial No.	Part Number	Description
149879	STEP-1X	Economy inpool step for flat bottom above-ground pools only, Requires 40LB Sand
149880	PES-1X	Drop in steps for above ground pools; adjustable to fit 48"-54" pools/decks.
149882	PES-G-X	Gate For Pool Entry System - when two PES-1 are joined together as staircase.

ABOVEGROUND

STEPS & LADDERS

CONFER

CONFER CURVE



Imperial No.	Part Number	Description
CONCCXADDON	CCX-ADD	Curve Step Add-on Kit
149992	CCX-AG	Curve Base Inpool 4 step for A/G
CON8100X	8100X	Ground To Step Entry For Curved Step

LADDERS & ACCESSORIES



Imperial No.	Part Number	Description
CON6000X	6000X	Inpool Ladder with conforming barrier for Decks from 42" to 56" high. Includes Deck Platform. Warm Gray.
CONCK7200	CK7200	A-frame to Deck Ladder conversion Kit
CON7100X	7100X	5 Step A-Frame Ladder with conforming barrier
CON7200	7200	Extra Heavy Duty A-Frame Ladder w/roll guard
149991	G7200	Gate Attachment for 7200

INNOVAPLAS STEPS



Imperial No.	Part Number	Description
149714	PG-5704	Festiva Step - 30"
149721	PG-6007	Outside Ladder for Festiva Step
149718	8005	"Majestic" ABG cast resin drop in step with one handrail - Adjusts for deck heights from 48" to 54"

DECK FLANGES



Imperial No.	Part Number	Description
149608	PF-2115-L	Aluminum Deck Flange (Each) Fits 1.5" Rail

LADDER PADS



Imperial No.	Part Number	Description
HV4X5	HV-4X5	Ladder Pad 4 X 5 - Sold Each
HV9X30	HV-9X30	Ladder Pad 9" x 30" - Sold Each

DECK & FENCE KITS

PREMIUM RESIN POOL FENCING



Imperial No.	Part Number	Description
VWA24PT	A24P8T	24" Resin Fence - 8 Section Base Kit, Taupe
VWB24PT	B24P3T	24" Resin Fence - 3 Section Add On Kit, Taupe
VWC24PT	C24P2T	24" Resin Fence - 2 Section Add On Kit, Taupe
VWCNKDKT	CNKDKT	Fence - Deck Connector Kit
VWCNKLST	CNKLST	Fence - Ladder/Step Connector Kit
VWRSK24T	RSK24T	24" Removable Section Kit, Taupe

NO. OF TOP SEATS	A KIT		B KIT		C KIT	
	8 SECTION BASE KIT		3 SECTION ADD-ON KIT		2 SECTION ADD-ON KIT	
8	1					
9	1				1	
10	1				1	
11	1		1			
12	1				2	
13	1		1		1	
14	1		2			
15	1		1		2	
16	1		2		1	
17	1		3			
18	1		2		2	
19	1		3		1	
20	1		4			
21	1		3		2	
22	1		4		1	
23	1		5			
24	1		4		2	

Order online at: www.imperialpools.com/b2b

ABOVEGROUND

DECK & FENCE KITS

RESIN DECKS & ACCESSORIES



Imperial No.	Part Number	Description
VWSDT	SDT - PRE PALLETIZED	5' x 5' Resin Pool Deck, Includes 2 Steps, Deck, Railing, Gate, Taupe
VWRDT	RDT PRE PALLETIZED	5' x 10' Resin Pool Deck, Includes 2 Steps, Deck, Railing, Gate, Taupe
VWFDT	FDT - PRE PALLETIZED	5' x 13.5' Resin Pool Deck, Includes 2 Steps, Deck, Railing, Gate, Taupe

FILTERS

SAND FILTERS

ESSENTIAL ELEMENTS



Imperial No.	Part Number	Description
EE2215	F412T1103	12" Sand Filter with 1/3 HP Pump (42 lbs sand)
EE2229	F119T1410	19" Sand Filter with 1 HP BC2729 Pump (175 lbs sand)
EE2229TL	F119T1410HTL	19" Sand Filter with 1 HP BC2729 Pump & Twist Lock Cord (175 lbs sand)
EE3050	S119T	19" Sand Filter with 6 -Way Valve (175 lbs sand)
EE30542730	F112T1415	22" Sand Filter with 1 1/2 HP Pump (250 lbs sand)
EE30542730TL	BC30542730TL	22" Sand Filter with 1 1/2 HP Pump, Hose Kit & Twist Lock Cord (250 lbs sand)

HAYWARD



Imperial No.	Part Number	Description
141040	S166T	16" Filter with Multiport Valve (100 lbs sand)
141041	S180T	18" Filter with Multiport Valve (150 lbs sand)
141046	S210T	20" Filter with Multiport Valve (200 lbs sand)
141378	S166T92S	16" Filter with 7-position Vari-Flo Valve, 1HP PowerFlo Matrix Pump (100 lbs sand)
141379	S180T92S	18" Filter with 7-position Vari-Flo Valve, 1HP PowerFlo Matrix Pump (150 lbs sand)
141380	S180T92STL	18" Filter with 7-position Vari-Flo Valve, 1HP PowerFlo Matrix Pump, 3' Twist lock cord (UL) (150 lbs sand)
141103	S180T1580S	18" filter with 6-position Vari-Flo valve, 1HP PowerFlo Pump (150 lbs sand)
141102	S210T1580X15S	Sand Filter with 1 1/2 HP PowerFlo Pump & Hose Kit (200 lbs sand)
141381	S210T93S	21" Filter with 7-Position Vari-Flo Valve, 1 1/2 HP PowerFlo Matrix Pump (200 lbs sand)
141376	VL40T32	13" Sand Filter with 30 GPM Pump A/G Pools up to 11,000 Gals (42 lbs sand)
141369	VL210T1285STL	21" Sand Filter with 1 1/2 HP VL Pump with Twist Lock Cord (UL) (150 lbs sand)

PENTAIR



Imperial No.	Part Number	Description
149458	PNSD0040DE1160	19" (SD40), 1 HP system with 3' Cord, 6' Hose Kit (150 lbs sand)
149445	PNSD0060D01160	22" (SD60), 1 1/2 HP System with 3' cord 6' Hose Kit (SD60) (250 lbs sand)

ABOVEGROUND FILTERS

SAND FILTERS

STA-RITE



Imperial No.	Part Number	Description
144618	SRCF2019DE1160	Sand Filter System with ABG4E Pump and Hoses (150 lbs sand)

DE FILTERS

HAYWARD



Imperial No.	Part Number	Description
141056	EC40AC	Modular Filter with Spring Loaded Clamp Style Top
141383	EC40C92S	EC-40 w/ 1 HP Power Flo Matrix, 1 1/2" Hose Kit
141384	EC40C92STL	EC-40 w/ 1 HP Power Flo Matrix, 1 1/2" Hose Kit, 3' Twist Lock cord (UL)
141385	EC50C92S	EC-50 w/ 1 HP Power Flo Matrix, 1 1/2" Hose Kit
141386	EC50C92STL	EC-50 w/ 1 HP Power Flo Matrix, 1 1/2" Hose Kit, 3' Twist Lock cord (UL)

STA-RITE



Imperial No.	Part Number	Description
144336	SRPLD0500E1160	30 Sq. Ft. D.E. Filter System Complete with 1 HP Pump and Hoses

CARTRIDGE FILTERS

HAYWARD XSTREAM



Imperial No.	Part Number	Description
141388	CC10092S	CC1000 w/ 1 HP
141389	CC10092STL	CC1000 w/ 1 HP & TL cord
141390	CC15093S	CC1500 w/ 1 1/2 HP
141391	CC15093STL	CC1500 w/ 1 1/2 HP & TL cord

STA-RITE CARTRIDGE



Imperial No.	Part Number	Description
144335TL	SRPLM1000E1260	100 sq. ft. Modular Media with 1 HP Pump, Hoses, & TL cord

SAND FILTER MULTIPORTS

ESSENTIAL ELEMENTS



Imperial No.	Part Number	Description
EE647304071	647304071	6-way valve

ABOVEGROUND

FILTERS

SAND FILTER MULTIPORTS

HAYWARD



Imperial No.	Part Number	Description
141256	SP0714T	Vari-Flo XL Control Valve - 1 1/2" - 6 position - Top Mount for Pro Series

CUSTOM MOLDED PRODUCTS



Imperial No.	Part Number	Description
CMP27515154000	27515-154-000	1 1/2" FPT Multiport Valve

PENTAIR



Imperial No.	Part Number	Description
149454	262506	Valve, 1-1/2 in. 6-way clamp style - Sand Dollar 60, 80 and Tagelus 30-60

FILTER MEDIA

SAND



Imperial No.	Part Number	Description
149757	MYSTIC WHITE II .49 50# BAG	50 lb. bag filter sand (45-55mm)
149757P	MYSTIC WHITE 49	Pallet of 48 - 50 lb. Bag filter sand (45-55mm)

GLASS



Imperial No.	Part Number	Description
149757G	CGMED-BL	Glass Filter Media 40 lb. Bag (64 Pallet)

ZEO PRODUCTS



Imperial No.	Part Number	Description
149039	ZEOFIBER	3 lb. bag Zeofiber 8/CS
149042	ZEOSAND	25 lb. Bag Zeobrite/Zeosand - Sand Alternative

ABOVEGROUND

FILTERS

FILTER MEDIA

DIATOMACEOUS EARTH



Imperial No.	Part Number	Description
149762	10LB DE	10 lb. Bag Diatomaceous Earth
149765	DEB24T	24 lb. box Diatomaceous Earth
149764	DEE25W	25 lb. Bag Diatomaceous Earth
149762P		110 - 10 lb. Bag Diatomaceous Earth
149764P		75 - 25 lb. Bag Diatomaceous Earth
CMP25600411000	25600-411-000	Smart Scoop - DE/Chemical Scoop
149873	25600-009-000	Perflex 1 lb. DE Pre-Measured Scoop 50

BASES & EQUIPMENT PADS



Imperial No.	Part Number	Description
141220	S160TPAK3	Universal Pump and Filter Base. Heavy-duty molded platform base for pump and filter. Complete with clear pump-to-filter Connecting hose, pipe adapters and hardware. Pre-drilled for Power-Flo series, Max-Flo and Super Pumps.
DIUC24363	UC2436-3	Rectangular 3" Fiberglass Reinforced Concrete
DACP36362	ACP3636-2	Duragrid Polymer Equipment Pad 24" x 36"

PUMPS

VARIABLE SPEED PUMPS

HAYWARD



	Imperial No.	Part Number	Description
Trade Grade	149984	SP1580X15VSP	PowerFlo VS 300

ESSENTIAL ELEMENTS



Imperial No.	Part Number	Description
EE2715	BC2715	Aboveground Pump 1/3 HP
EE2729	1410	Aboveground Pump 1 HP 110V
EE2729TL	P1410TL	Aboveground Pump 1 HP 110V Twist-Lock
EE2730	P1415	Aboveground Pump 1.5 HP 110V

HAYWARD

POWER-FLO LX



Imperial No.	Part Number	Description
149904	SP1580	1 HP
149939	SP1580X15	1 1/2 HP

POWER-FLO MATRIX



Imperial No.	Part Number	Description
141362	SP1591	3/4 HP Power-Flo Matrix Pump
141363	SP1592	1 HP Power-Flo Matrix Pump
141367	SP1592TL	1 HP Power-Flo Matrix Pump W/Twist Lock
141370	SP15922S	1 HP Power-Flo Matrix Pump 2 Speed
141364	SP1593	1 1/2 HP Power-Flo Matrix Pump
141373	SP1593TL	1 1/2 HP Power-Flo Matrix Pump W/Twist Lock
141377	SP15932S	1 1/2 HP Power-Flo Matrix Pump 2 Speed

ABOVEGROUND

PUMPS

PENTAIR

DYNAMO



Imperial No.	Part Number	Description
149485	340104	1 HP No Cord
PF340197	340197	1 HP 3' STD Cord

STA-RITE

STA-RITE DYNAMO



JWP Series with 3 Foot 3 Prong Cord

Imperial No.	Part Number	Description
144606	340197SR	1 HP 115V with 3ft cord

PUMP SEAL KITS & ACCESSORIES



Imperial No.	Part Number	Description
PF155770	155770	PTF Connector
ALAAS200	AS-200	Generic Pump Seal - Pentair 354545, Challenger/Dynamo/Pinnacle/Hayward PowerFlo
150007	SPX1500KA	Seal Assembly with Cup (Power-Flo LX & Power-Flo II)
150008	SPX1720KA	Seal Assembly (power-Flo III, 1 and 1 1/2 HP)
150125	SPX1250WA	6 ft. Cord Set
152321	SPX1550WA1	No. 12 AWG 3' with Twist Locking Plug
152136	SPX1500LX	Basket, Large 4 1/2" x 7" (all models) Power-Flo

MOTORS

CENTURY

For Hayward Powerflo, Pentair, Dynamo and many others with a threaded shaft.



Imperial No.	Part Number	Description
150015	BN24V1	3/4 HP, 115 Volt Threaded Shaft
152278	BN25V1	1 HP, 115 Volt Threaded Shaft
150105	BN35V1	1 1/2 HP, 115/230 Volt Threaded Shaft

US MOTORS

For Hayward Powerflo, Pentair, Dynamo and many others with a threaded shaft.



Imperial No.	Part Number	Description
EMAGD15FL1	AGD15FL1	1 1/2 HP

HEATERS

HAYWARD

GAS



Imperial No.	Part Number	Description
143361	H100ID1	Natural - Electronic Ignition
143362	H100IDP1	Propane - Electronic Ignition
143381	H135ID1	Natural - 135,000 BTU
143382	H135IDP1	Propane - 135,000 BTU

ABOVEGROUND HEATERS

HAYWARD HEAT PUMP



Imperial No.	Part Number	Description
Trade Grade	149985	HP50HA2
		Heat Pump - 45,000 BTU

RAYPAK GAS



Imperial No.	Part Number	Description
RP014779	014779	106 Electronic Natural Analog w/cord 110/240
RP014784	014784	156 Electronic Natural Digital w/cord 110/240
RP014786	014786	156 Electronic Propane Digital w/cord 110/240

SOLAR

STANDARD COVER - 3 YEAR WARRANTY



Imperial No.	Part Number	Description
14401112R		12' Round
144021		15' Round
144022		18' Round
144023		21' Round
144024		24' Round
14401130R		30' Round
14401133R		33' Round
144025		28' Round
1440111224	12 X 24 OVAL	12' X 24' Oval
1440111524		15' x 24' Oval
1440111530OV		15' x 30' Oval
1440111833OV	SB183303	18' x 33' Oval

LIQUID SOLAR



Imperial No.	Part Number	Description
EPM050	48017070	12 X 1 Quart
SMPAP72	90123APL	4" Solar Pill (Sold as case of 12)
NC07100	17100NCM	Cover Free - 12 x 32 oz

REELS

FEHERGUARD

Premium Roller

Features: Lift off and swing away cover removal, wide track bearings for ease of turning, telescoping tubes with rib-locking design.



Imperial No.	Part Number	Description
142036	FG7B/L18M	Premium Reel - Max cover width - 18'
142034	FG7B/L24M	Premium Reel - Max cover width - 24'

ABOVEGROUND SOLAR

ACCESSORIES



Imperial No.	Part Number	Description
144035	HV-7010	Horizon Ventures Universal Solar Reel Attachment Kit. All the straps, clamps, and Velcro needed to attach your solar blanket to your reel. Includes 8 straps.

CLEANERS

ROBOTIC MAYTRONICS



Trade Grade	Imperial No.	Part Number	Description
	149860	99996134-WINF	Dolphin T15 Aboveground Robotic Cleaner

PENTAIR



Trade Grade	Imperial No.	Part Number	Description
	PF360321	360321	Kreepy Krauly Prowler 910

SUCTION ESSENTIAL ELEMENTS



Imperial No.	Part Number	Description
EE3272	B7321	ABG Cleaner with 26ft Hose

HAYWARD



Imperial No.	Part Number	Description
149853	100	Penguin Complete - Includes Hoses
149870	500	Aquabug Complete - Includes Hoses & Video
149852	W3900	Wanda the Whale Complete - Includes Hoses & Video

PENTAIR



Imperial No.	Part Number	Description
149573	360100	Kreepy Krauly Lil Shark
149427	K50600	Kreepy Krauly EZ Vac

ABOVEGROUND CLEANERS

PRESSURE SIDE

POLARIS



Imperial No.	Part Number	Description
149790	6-130-00T	Polaris Turbo Turtle - 65 Cleaner with Turtle Body
149786	6-130-00	Polaris 65 Complete - works on pool circulation pump

LIGHTING

AQUA-LUMINATOR



Imperial No.	Part Number	Description
149909	98600000	Combination Inlet Fitting and Light for Above Ground Pools. Complete With Transformer and Switch. Convertible For All Above Ground Pools.

HAYWARD



Imperial No.	Part Number	Description
141352	SP056525	Elite Above Ground Light - 50W,120 Volt, 25' Cord. Comes complete with wall cutting tool.

OCEAN BLUE



Imperial No.	Part Number	Description
OB980020	980020	Jet Light Color Burst

SMARTPOOL



Imperial No.	Part Number	Description
149060	NL50	Nightlighter 50W new round design

FOUNTAINS



Imperial No.	Part Number	Description
OB180020	180020	Colorfest Illuminated Pool Fountain
145160	180005EE	Waterfall Fountain

ABOVEGROUND SAFETY

ALARMS

POOL PATROL



Imperial No.	Part Number	Description
149501	PA-30	Pool Patrol Pool Alarm with Remote Receiver
149508	GA-25	Pool Patrol Door and Gate Alarm, can be used in or outdoors. 9 Volt Battery Operated

POOLEYE



Imperial No.	Part Number	Description
149062	PE12	Pooleye Alarm System for A/G Pools

POOLGUARD



Poolguard/PBM Industries, Inc. has been manufacturing pool alarms, door alarms, and gate alarms since 1982. All Poolguard products are proudly made in the USA. Poolguard Pool Alarms were tested and rated No.1 by Good Housekeeping Magazine. Poolguard Pool Alarms have been Certified by NSF International to the safety and performance requirements of the ASTM International Standard for Pool Alarms, F 2208.

Imperial No.	Part Number	Description
PGRMSB	PGRM-SB	ABG Poolguard Safety Buoy
PGGAPT	GAPT	Poolguard Gate Alarm
PGDAPT	DAPT-2	Poolguard Door Alarm

SMARTPOOL



Imperial No.	Part Number	Description
SMPPE23	PE23	Inground & Aboveground Pooleye Alarm with remote - meets ASTM F2208 standards & Meets State of MA Requirements

SAFETY EQUIPMENT



Imperial No.	Part Number	Description
RB191106	R191106	12' One Piece Pole
145161	192050EE	Safety Pool Hook
149136	R191116	16' Aluminum One Piece Pole

RING BUOYS



Imperial No.	Part Number	Description
149511	372	Economy Ring Buoy--20" Plastic
149512	360	Deluxe Ring Buoy--20" Type IV White 100% Floatation. U.S. Coast Guard Approved
149513	374	Throw Rope--60'

SIGNS



Imperial No.	Part Number	Description
149506	R231200	No Diving Sign
149507		No Diving Shallow Water (Label)
RB233800	R233800	No Diving Sign (SC)
RB234000	R234000	Pool Rules Sign (SC)

CHEMICALS



+ REWARDS
Buy-Earn-Get



Professional Quality Tools, Chemicals, and Features

800.420.3255
www.oreqcorp.com





THE ELEMENTS CHEMICAL BRAND NOW
INCLUDES A FULL LINE OF:

Hello AND *Good-Bye*

**PROBLEM SOLVER AND
MAINTENANCE PRODUCTS**

Available only through Imperial Pools Distribution
Ask your Imperial Rep or Local Branch for details.



Get Cash Back
on everything you buy from Imperial
Manufacturing and Distribution



PM
Problem Solvers
and Maintenance

PROBLEM SOLVERS



33 Wade Road, Latham, New York 12110
www.imperialpools.com | 800-444-9977



CHEMICALS

ESSENTIAL ELEMENTS

B

Balance
the Water

BALANCE THE WATER

ALKALINITY INCREASER

A safe, Easy to use granular product that raises total alkalinity in swimming pools and acts as a buffer to prevent "pH bounce", staining and corrosion. Proper levels of alkalinity also makes water feel better to swimmers.



Imperial No.	Part Number	Description
260003	48017640	24 x 1 lb. Pouch
260005	48017870	8 x 5 lb. Pouch
260007	48017650	4 x 10 lb. Pouch
260061	48017330	25 lb. Cube

CALCIUM HARDNESS INCREASER

Calcium increaser raises the total hardness of pool water to protect all pool surfaces and equipment. Proper levels of calcium help prevent liner damage, etching of concrete, and degradation of fiberglass.



Imperial No.	Part Number	Description
260011	48017880	8 x 4 lb. Resealable Pouch
260015	48017660	4 x 8 lb. Resealable Pouch
260063	48017340	25 lb. Cube

STABILIZER CONDITIONER

Prevents chlorine loss from the sun's ultraviolet rays. Levels should be monitored closely and only tested when water sample temperature is above 70 degrees.



Imperial No.	Part Number	Description
260017	48017670	24 x 1 lb. Pouch
260019	48017890	8 x 4 lb. Resealable Pouch
260023	48017680	4 X 7 lb. Resealable Pouch

A

Adjust the
PH level

ADJUST THE PH LEVEL

PH PLUS

An easy to dissolve granular product that raises the pH of pool water with minimal effect on Total Alkalinity Levels. Proper levels of pH are required to keep pool chemistry easily manageable.



Imperial No.	Part Number	Description
260027	48017690	24 x 1 lb. Single Dose
260029	48017900	8 x 5 lb. Resealable Pouch
260031	48017700	4 x 10 lb. Resealable Pouch
260060	48017350	30 lb. Cube

PH MINUS

An easy to dissolve granular product that lowers the pH of pool water with minimal effect on Total Alkalinity Levels. Proper levels of pH are required to keep pool chemistry easily manageable.



Imperial No.	Part Number	Description
260035	48017710	24 X 1 lb. Pouch
260039	48017720	8 x 6 lb. Resealable Pouch

CHEMICALS

ESSENTIAL ELEMENTS

S

SANITIZE

PREVE COMPLETE TAB 4 IN 1



Slow dissolving blended tablet that is produced with the purest ingredients. These tablets will provide effective free chlorine level, deter mustard algae outbreaks, help prevent staining, and help prevent scaling. Over time, use of these tabs will create softer feeling water. Preve-Complete Tab 4 in 1 is designed for use in all Trichlor erosion-type chlorinators. They are individually wrapped for maximum freshness.

Imperial No.	Part Number	Description
260101	48018020	8 x 5 lb.
260102	48018030	4 x 10 lb.
260103	48018040	25 lb. Pail

PREVE-TABS



Slow dissolving, 99% pure Trichlor Tablets designed for use in all Trichlor erosion-type chlorinators. Preve-Tabs are made from the highest grade of raw materials and contain no fillers. They are individually wrapped for maximum freshness and are 99% active.

Imperial No.	Part Number	Description
260044	48017740	8 x 5 lb. Pail
260048	48017750	4 x 10 lb. Pail
260052	48017760	25 lb. Pail
260056	48017770	50 lb. Pail

O

OXIDIZE

PREVE-SHOCK PLUS



A strong shocking product that contains sodium dichlor. Quick dissolving product that contains buffers and clarifiers for sparkling results. When used weekly with Preve-Complete-Tabs 4 in 1 and Preve-Cide 60 Plus, the water quality and soft water feel will be amplified. The product is pH neutral and is the shock of choice for vinyl liner pools.

Imperial No.	Part Number	Description
260072	48017790	24 x 1 lb. Bag
260071	48018120	8 x 5 lb. Bag
260073	48018130	4 x 10 lb. Bag
260074	48018140	25 lb. Pail
260075	48018150	50 lb. Pail

PREVE-SHOCK & SWIM



Designed for a quick shocking process that allows for pool use 15 minutes after application. The product is potassium monopersulfate based and does not contain active chlorine. This product is safe for all pool finishes.

Imperial No.	Part Number	Description
260076	48017800	24 x 1 lb. Bag

68% CALCIUM HYPOCHLORITE SHOCK



Imperial No.	Part Number	Description
145132	71432A	CalHypo 68% 100 lb. Pail

CHEMICALS

ESSENTIAL ELEMENTS



CONTROL

PREVE-CIDE 60 PLUS



Concentrated Algaecide that is non-foaming and non-metallic. Weekly use will inhibit the growth of algae in swimming pool water. Use this product when treating for green, mustard, and black algae and regularly to prevent the algae from recurring. This product is the product of choice for pools that use salt water chlorine generators.

Imperial No.	Part Number	Description
260088	48017810	12 x 1 Quart

PREVE-CIDE 30



Algaecide that is non-foaming and non-metallic. Weekly use will inhibit the growth of algae in swimming pool water. Ideal for small inground and aboveground pools that require lower weekly maintenance doses.

Imperial No.	Part Number	Description
260086	48018170	12 x 1 Quart

PREVE-CIDE QUAT



Economical algaecide that is non-metallic. Weekly use will inhibit the growth of algae in swimming pool water. Use this product when treating for green, mustard, and black algae. This algaecide is preferred when water chemistry is unknown. Product may foam as it works.

Imperial No.	Part Number	Description
260092	48017820	12 x 1 Quart

PREVE-CIDE MAX



Blended algaecide that is stronger than most others. Highly effective on mustard, green, and other types of algae and typically only requires application every 90 days. Product contains copper to kill and suppress algae and is not recommended for pools with salt water chlorine generators.

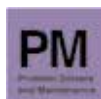
Imperial No.	Part Number	Description
260100	48017840	12 x 1 Quart

PREVE-CIDE COPPER



Metallic based algaecide that eliminates algae from swimming pool water. Typically used as part of an algae treatment with Preve-Cide 60 used as maintenance to prevent the algae from recurring. Follow application instructions carefully as the product will stain if splashed on the pool deck or clothing. Product contains copper to kill and suppress algae and is not recommended for pools with salt water chlorine generators.

Imperial No.	Part Number	Description
260096	48017830	12 x 1 Quart



PROBLEM SOLVERS & MAINTENANCE

HELLO SOFT WATER



Hello Soft Water is a borate based swimming pool water additive that creates soft and silky feeling water. Using this product annually will lock in overall pool balance thus minimizing the need for making chemical adjustments. Raise Borate Levels to 40-50 PPM and maintain it for maximum effect.

Imperial No.	Part Number	Description
EPM053	48018050	25 lb. Pail

CHEMICALS

ESSENTIAL ELEMENTS

PM

PROBLEM SOLVERS & MAINTENANCE

HELLO CLEAR WATER



Hello Clear Water is a natural clarifier for swimming pools. In addition to its fast acting clarifying benefits, it also contains ingredients which help settle smaller debris to allow for easier vacuuming and removal of pool waste.

Imperial No.	Part Number	Description
EPM010E	48017000	1 Quart Each
EPM010	48017000	12 X 1 Quart

GOOD BYE SCUMLINE



Goodbye Scumline is an enzyme based product that breaks down oils and greases that get into swimming pools through use and environmental conditions. Weekly use will reduce oil build ups at the pool water line, improves filter efficiency and promotes water clarity.

Imperial No.	Part Number	Description
EPM051E		1 Quart Each
EPM051	48018070	12 x 1 Quart

GOOD BYE STAIN



Good-Bye Stains is a citric acid based stain remover. The product is easily applied directly to the pool water per the instructions on the container. Good-Bye Stains is packaged in a convenient 1 LB bag and treats the industry standard 10,000 gallons of water. This product is suitable for fresh stains and for iron staining including those caused by leaves and other organic matter being in contact with the pool surface over longer periods of time.

Imperial No.	Part Number	Description
EPM020E	48016980	1 lb. Bag Each
EPM020	48016980	24 X 1 lb. Bag

GOOD BYE DIFFICULT STAIN



Good-Bye Difficult Stains is an ascorbic acid based stain remover. The product is easily applied directly to the pool water per the instructions on the container. Good-Bye Difficult Stains is packaged in a convenient 1 LB bag and treats the industry standard 10,000 gallons of water. This product is suitable for stubborn stains and for stains caused by copper and manganese.

Imperial No.	Part Number	Description
EPM025E	48016990	1 lb. Bag Each
EPM025	48016990	24 X 1 lb. Bag

GOOD BYE METAL



Good-Bye Metal is a heavy duty sequestering and chelating agent for metals in pool water. Chelating metals surrounds them with a protective layer to prevent discoloration and staining, while sequestering them into larger particles which will be removed by the pools filtration system.

Imperial No.	Part Number	Description
EPM001E	48017010	1 Quart Each
EPM001	48017010	12 X 1 Quart

GOOD BYE METAL NO PHOS



Good-Bye Metal - No Phos is a heavy duty chelating and sequestering agent that will not interfere with the phosphate testing process and will not falsely register as phosphate in swimming pool water. This product should be used in any pool that has a history of phosphate problems or as the product of choice when phosphates are actively tested for on a regular basis.

Imperial No.	Part Number	Description
EPM005E	48017020	1 Quart Each
EPM005	48017020	12 X 1 Quart

CHEMICALS

ESSENTIAL ELEMENTS

PM

PROBLEM SOLVERS & MAINTENANCE

GOOD BYE MUSTARD



Good-Bye Mustard is a water enhancer that increases chlorine efficiency in the destruction and future control of mustard algae outbreaks. The product is direction specific and the label instructions should be followed at all times. This product is generally the only accepted product for use in salt generation pools and will not impact chlorine production or levels after its use.

Imperial No.	Part Number	Description
EPM045E	48017080	2 lb. Bottle Each
EPM045	48017080	12 X 2 lb. Bottle

GOOD BYE PHOSPHATES



Good-Bye Phosphates is a product designed to remove up to 9000 PPB of phosphates from swimming pool water at a time. Phosphate research shows that pools with high levels are prone to algae outbreaks, weak chlorination and overall poor water quality. Using this product weekly or with the addition of fresh water works as a preventative.

Imperial No.	Part Number	Description
EPM015E	48017060	1 Quart Each
EPM015	48017060	12 X 1 Quart

HELLO CLEAN FILTER



Hello Clean Filter is a cleaner designed to remove oils and contaminants from all filter types. Application instructions for each filter type appears on the back of the bottle. This product should be used at least once per season to maintain peak filter performance and prevent odors.

Imperial No.	Part Number	Description
EPM035E	48017030	1 Quart Each
EPM035	48017030	12 X 1 Quart

HELLO CLEAN WATERLINE



Hello Clean Waterline is a specially designed pool water surface cleaner that will not harm or discolor pool finishes including vinyl liners. Using this approved product for cleaning water lines and other surfaces will prevent the permanent damage usually associated with use of household cleaners.

Imperial No.	Part Number	Description
EPM040E	48017050	1 Quart Each
EPM040	48017050	12 X 1 Quart

GOOD BYE CLOUDY WATER



Good-Bye Cloudy Water is a dense pool water flocculent designed to settle particles that cause cloudy water to the pool bottom where they can be vacuumed to waste and thus permanently removed from the pool. Product instructions should be followed closely for best results and to prevent further filtration issues.

Imperial No.	Part Number	Description
EPM030E	48017040	1 Quart Each
EPM030	48017040	12 X 1 Quart

HELLO WARM WATER



Hello Warm Water is an easy to use liquid that greatly reduces heat loss from swimming pools. Up to 95% of the heat lost in a swimming pool is through the surface. Weekly use of this product will reduce the amount of heat lost through evaporation and thermal radiation.

Imperial No.	Part Number	Description
EPM050E	48017070	1 Quart Each
EPM050	48017070	12 X 1 Quart

CHEMICALS

ESSENTIAL ELEMENTS

PM

PROBLEM SOLVERS & MAINTENANCE

GOOD BYE SALT CELL SCALE



Goodbye Salt Cell Scale is designed to clean salt chlorine generators easily and safely. Use this product quarterly to revitalize cells by removing calcium and other wastes that build up on the plates that produce chlorine. Regular salt cell cleaning improves efficiency by 50-75%.

Imperial No.	Part Number	Description
EPM052E		1 Quart Each
EPM052	48018080	12 x 1 Quart

ESSENTIAL ELEMENTS SALT PRODUCTS

B

BALANCE THE WATER

ALKALINITY INCREASER



A safe, East to use granular product that raises total alkalinity in swimming pools and acts as a buffer to prevent "pH bounce", staining and corrosion. Proper levels of alkalinity also makes water feel better to swimmers.

Imperial No.	Part Number	Description
260003	48017640	24 x 1 lb. Pouch
260005	48017870	8 x 5 lb. Pouch
260007	48017650	4 x 10 lb. Pouch
260061	48017330	25 lb. Cube

CALCIUM HARDNESS INCREASER



Calcium increaser raises the total hardness of pool water to protect all pool surfaces and equipment. Proper levels of calcium help prevent liner damage, etching of concrete, and degradation of fiberglass.

Imperial No.	Part Number	Description
260011	48017880	8 x 4 lb. Resealable Pouch
260015	48017660	4 x 8 lb. Resealable Pouch
260063	48017340	25 lb. Cube

STABILIZER CONDITIONER



Prevents chlorine loss from the sun's ultraviolet rays. Levels should be monitored closely and only tested when water sample temperature is above 70 degrees.

Imperial No.	Part Number	Description
260017	48017670	24 x 1 lb. Pouch
260019	48017890	8 x 4 lb. Resealable Pouch
260023	48017680	4 X 7 lb. Resealable Pouch

A

ADJUST THE PH LEVEL

PH PLUS



An easy to dissolve granular product that raises the pH of pool water with minimal effect on Total Alkalinity Levels. Proper levels of pH are required to keep pool chemistry easily manageable.

Imperial No.	Part Number	Description
260027	48017690	24 x 1 lb. Single Dose
260029	48017900	8 x 5 lb. Resealable Pouch
260031	48017700	4 x 10 lb. Resealable Pouch
260060	48017350	30 lb. Cube

CHEMICALS

ESSENTIAL ELEMENTS SALT PRODUCTS



ADJUST THE PH LEVEL

PH MINUS



An easy to dissolve granular product that lowers the pH of pool water with minimal effect on Total Alkalinity Levels. Proper levels of pH are required to keep pool chemistry easily manageable.

Imperial No.	Part Number	Description
260035	48017710	24 X 1 lb. Pouch
260039	48017720	8 x 6 lb. Resealable Pouch



SANITIZE

POOL SALT



Imperial No.	Part Number	Description
SALT40	BSC40	Salt - 40 lb. Bag - Pool Salt Branded. Blended specifically for salt chlorine generators. Retail friendly packaging.
SALT40P		Salt - 40 lb. Bag - pallet QTY 63



OXIDIZE

PREVE-SHOCK PLUS



A strong shocking product that contains sodium dichlor. Quick dissolving product that contains buffers and clarifiers for sparkling results. When used weekly with Preve-Complete-Tabs 4 in 1 and Preve-Cide 60 Plus, the water quality and soft water feel will be amplified. The product is pH neutral and is the shock of choice for vinyl liner pools.

Imperial No.	Part Number	Description
260072	48017790	24 x 1 lb. Bag
260071	48018120	8 x 5 lb. Bag
260073	48018130	4 x 10 lb. Bag
260074	48018140	25 lb. Pail
260075	48018150	50 lb. Pail

PREVE-SHOCK & SWIM



Designed for a quick shocking process that allows for pool use 15 minutes after application. The product is potassium monopersulfate based and does not contain active chlorine. This product is safe for all pool finishes.

Imperial No.	Part Number	Description
260076	48017800	24 x 1 lb. Bag

68% CALCIUM HYPOCHLORITE SHOCK



100% granular calcium hypochlorite. Granular calcium hypochlorite is non stabilized 68% available chlorine.

Imperial No.	Part Number	Description
145132	71432A	CalHypo 68% 100 lb. Pail

CHEMICALS

ESSENTIAL ELEMENTS SALT PRODUCTS

C

Control Algae and Minerals

CONTROL

PREVE-CIDE 60 PLUS



Concentrated Algaecide that is non-foaming and non-metallic. Weekly use will inhibit the growth of algae in swimming pool water. Use this product when treating for green, mustard, and black algae and regularly to prevent the algae from recurring. This product is the product of choice for pools that use salt water chlorine generators.

Imperial No.	Part Number	Description
260088	48017810	12 x 1 Quart

PREVE-CIDE 30



Algaecide that is non-foaming and non-metallic. Weekly use will inhibit the growth of algae in swimming pool water. Ideal for small inground and aboveground pools that require lower weekly maintenance doses.

Imperial No.	Part Number	Description
260086	48018170	12 x 1 Quart

PREVE-CIDE QUAT



Economical algaecide that is non-metallic. Weekly use will inhibit the growth of algae in swimming pool water. Use this product when treating for green, mustard, and black algae. This algaecide is preferred when water chemistry is unknown. Product may foam as it works.

Imperial No.	Part Number	Description
260092	48017820	12 x 1 Quart

PM

Problem Solvers and Maintenance

PROBLEM SOLVERS & MAINTENANCE

HELLO SOFT WATER



Hello Soft Water is a borate based swimming pool water additive that creates soft and silky feeling water. Using this product annually will lock in overall pool balance thus minimizing the need for making chemical adjustments. Raise Borate Levels to 40-50 PPM and maintain it for maximum effect.

Imperial No.	Part Number	Description
EPM053	48018050	25 lb. Pail

HELLO CLEAR WATER



Hello Clear Water is a natural clarifier for swimming pools. In addition to its fast acting clarifying benefits, it also contains ingredients which help settle smaller debris to allow for easier vacuuming and removal of pool waste.

Imperial No.	Part Number	Description
EPM010E	48017000	1 Quart Each
EPM010	48017000	12 X 1 Quart

GOOD BYE SCUMLINE



Goodbye Scumline is an enzyme based product that breaks down oils and greases that get into swimming pools through use and environmental conditions. Weekly use will reduce oil build ups at the pool water line, improves filter efficiency and promotes water clarity.

Imperial No.	Part Number	Description
EPM051E		1 Quart Each
EPM051	48018070	12 x 1 Quart

CHEMICALS

ESSENTIAL ELEMENTS SALT PRODUCTS

PM
Pool Maintenance
and Water Treatment

PROBLEM SOLVERS & MAINTENANCE

GOOD BYE STAIN



Good-Bye Stains is a citric acid based stain remover. The product is easily applied directly to the pool water per the instructions on the container. Good-Bye Stains is packaged in a convenient 1 LB bag and treats the industry standard 10,000 gallons of water. This product is suitable for fresh stains and for iron staining including those caused by leaves and other organic matter being in contact with the pool surface over longer periods of time.

Imperial No.	Part Number	Description
EPM020E	48016980	1 lb. Bag Each
EPM020	48016980	24 X 1 lb. Bag

GOOD BYE DIFFICULT STAIN



Good-Bye Difficult Stains is an ascorbic acid based stain remover. The product is easily applied directly to the pool water per the instructions on the container. Good-Bye Difficult Stains is packaged in a convenient 1 LB bag and treats the industry standard 10,000 gallons of water. This product is suitable for stubborn stains and for stains caused by copper and manganese.

Imperial No.	Part Number	Description
EPM025E	48016990	1 lb. Bag Each
EPM025	48016990	24 X 1 lb. Bag

GOOD BYE METAL



Good-Bye Metal is a heavy duty sequestering and chelating agent for metals in pool water. Chelating metals surrounds them with a protective layer to prevent discoloration and staining, while sequestering them into larger particles which will be removed by the pools filtration system.

Imperial No.	Part Number	Description
EPM001E	48017010	1 Quart Each
EPM001	48017010	12 X 1 Quart

GOOD BYE METAL NO PHOS



Good-Bye Metal - No Phos is a heavy duty chelating and sequestering agent that will not interfere with the phosphate testing process and will not falsely register as phosphate in swimming pool water. This product should be used in any pool that has a history of phosphate problems or as the product of choice when phosphates are actively tested for on a regular basis.

Imperial No.	Part Number	Description
EPM005E	48017020	1 Quart Each
EPM005	48017020	12 X 1 Quart

GOOD BYE MUSTARD



Good-Bye Mustard is a water enhancer that increases chlorine efficiency in the destruction and future control of mustard algae outbreaks. The product is direction specific and the label instructions should be followed at all times. This product is generally the only accepted product for use in salt generation pools and will not impact chlorine production or levels after its use.

Imperial No.	Part Number	Description
EPM045E	48017080	2 lb. Bottle Each
EPM045	48017080	12 X 2 lb. Bottle

GOOD BYE PHOSPHATES



Good-Bye Phosphates is a product designed to remove up to 9000 PPB of phosphates from swimming pool water at a time. Phosphate research shows that pools with high levels are prone to algae outbreaks, weak chlorination and overall poor water quality. Using this product weekly or with the addition of fresh water works as a preventative.

Imperial No.	Part Number	Description
EPM015E	48017060	1 Quart Each
EPM015	48017060	12 X 1 Quart

CHEMICALS

ESSENTIAL ELEMENTS SALT PRODUCTS

PM

PROBLEM SOLVERS & MAINTENANCE

HELLO CLEAN FILTER



Hello Clean Filter is a cleaner designed to remove oils and contaminants from all filter types. Application instructions for each filter type appears on the back of the bottle. This product should be used at least once per season to maintain peak filter performance and prevent odors.

Imperial No.	Part Number	Description
EPM035E	48017030	1 Quart Each
EPM035	48017030	12 X 1 Quart

HELLO CLEAN WATERLINE



Hello Clean Waterline is a specially designed pool water surface cleaner that will not harm or discolor pool finishes including vinyl liners. Using this approved product for cleaning water lines and other surfaces will prevent the permanent damage usually associated with use of household cleaners.

Imperial No.	Part Number	Description
EPM040E	48017050	1 Quart Each
EPM040	48017050	12 X 1 Quart

GOOD BYE CLOUDY WATER



Good-Bye Cloudy Water is a dense pool water flocculent designed to settle particles that cause cloudy water to the pool bottom where they can be vacuumed to waste and thus permanently removed from the pool. Product instructions should be followed closely for best results and to prevent further filtration issues.

Imperial No.	Part Number	Description
EPM030E	48017040	1 Quart Each
EPM030	48017040	12 X 1 Quart

HELLO WARM WATER



Hello Warm Water is an easy to use liquid that greatly reduces heat loss from swimming pools. Up to 95% of the heat lost in a swimming pool is through the surface. Weekly use of this product will reduce the amount of heat lost through evaporation and thermal radiation.

Imperial No.	Part Number	Description
EPM050E	48017070	1 Quart Each
EPM050	48017070	12 X 1 Quart

GOOD BYE SALT CELL SCALE



Goodbye Salt Cell Scale is designed to clean salt chlorine generators easily and safely. Use this product quarterly to revitalize cells by removing calcium and other wastes that build up on the plates that produce chlorine. Regular salt cell cleaning improves efficiency by 50-75%.

Imperial No.	Part Number	Description
EPM052E		1 Quart Each
EPM052	48018080	12 x 1 Quart

ClearView

CLEARVIEW

B

BALANCE THE WATER

ALKALINITY INCREASER



A safe, easy-to-use granular product that raises total alkalinity and acts as a buffer to prevent "pH bounce", staining and corrosion.

Imperial No.	Part Number	Description
250030	CVTA005	8 X 5 lb. pail
250031	CVTA010	4 X 10 lb. Pail
250032PK	CVTA025	2 x 25 lb. pouch

CHEMICALS

ClearView

CLEARVIEW

B

Balance
The Water

BALANCE THE WATER

CALCIUM INCREASER



Calcium Hardness Increaser raises calcium hardness of pool water to aid in the prevention of corrosion, etched plaster and other problems resulting from low calcium hardness.

Imperial No.	Part Number	Description
250033	CVCC010	4 X 10 lb. Pail
250034PK	CVCC025	2 X 25 lb. pouch

STABILIZER



Prevents Chlorine loss from the sun's ultraviolet rays and is buffered for minimal effect on pH.

Imperial No.	Part Number	Description
250036	CVCA005	8 X 4 lb. pail
250037	CVCA010	4 X 8 lb. pail
250038	CVCA045	45 lb. pail
250052	CAPP001	36 X 1lb bags

A

Adjust the
PH level

ADJUST THE PH LEVEL

PH UP



A convenient granular product that raises the pH of pool water with minimal effect on overall alkalinity.

Imperial No.	Part Number	Description
250026	CVSA005	8 X 5 lb. pail
250057	CVSA010	4 X 10 lb. pail
250058PK	CVSA025	25 lb. pail

PH DOWN



A granular product for slowly lowering the pH of pool water. Safer to handle and store than liquid acids.

Imperial No.	Part Number	Description
250028	CVSB007	8 X 7 lb. pail
250029	CVSB050	50 lb. Pail

S

Sanitize

SANITIZE

3 INCH SCENT-TRIFIC TABS



"Scent-trific" is the first and only chlorine tablet with odor control. The "Scent-trific" fresh scent combined with the industry's leading and purest trichlor, delivers the consumer an unmatched experience with the storage of chlorine tabs. Individually wrapped 8 oz. 100% trichlor chlorine tablet. Slow dissolving and stabilized. For use in erosion-type chlorine tablet feeders. One tablet treats 8,000 gallons every 7-14 days in a chlorine tablet feeder.

Imperial No.	Part Number	Description
252028	CVTLCR080	Display Box Individually Wrapped 80 Tabs, 40 lbs
250000	CVTLST005	8 X 5 lb. pail
250001	CVTLST010	4 X 10 lb. pail
250002	CVTLST025	25 lb. pail
250003	CVTLST050	50 lb. pail

CHEMICALS

ClearView

CLEARVIEW

S

Sanitize

SANITIZE

POOL STICKS



Individually wrapped 8 oz. 100% trichlor chlorine stick. Slow dissolving and stabilized. For use in erosion-type chlorine tablet feeders. One stick treats 10,000 gallons every 7-14 days.

Imperial No.	Part Number	Description
250004	CVST005	8 X 4.5 lb. pail
250005	CVST008	4 X 8 lb. pail
250006	CVST025	25 lb. pail
250007	CVST050	50 lb. pail

1 INCH TABITS



100% trichlor chlorine tablet. Slow dissolving and stabilized. For use in erosion-type chlorine tablet feeders. One tablet for every 1,000 gallons every 7-14 days in a chlorine tablet feeder.

Imperial No.	Part Number	Description
250008	CVTS005	8 X 5 lb. pail
250009	CVTS010	4 X 10 lb. pail
250010	CVTS025	25 lb. pail

O

Oxidize

OXIDIZE

GRANULAR SHIMMER N SHOCK



Imperial No.	Part Number	Description
250059	CVDB001	24 X 1lb. bag
250012	CVDB005	8 X 5 lb. pail
250013	CVDB010	4 X 10 lb. pail
250015	CVDB025	25 lb. pail
250016	CVDB050	50 lb. pail

INSTA-CHLOR SUPER 73



Imperial No.	Part Number	Description
252073	ICS73001	24 X 1 lb. bag

INSTA-CHLOR

100% granular calcium hypochlorite. Insta-chlor is non stabilized 68% available chlorine.



Imperial No.	Part Number	Description
250020	IC001	24 X 1lb. bag
250021	IC025	25 lb. pail
250022	IC100	100 lb. pail

CHLOR FREE 15



Swim after treatment in as quick as 15 minutes. A potassium monopersulfate that turns into active chlorine. Chlor free is non-chlorine and non-bleaching.

Imperial No.	Part Number	Description
250023	CVCF001	24 X 1lb. bag
250024	CVCF025	25 lb. pail

CHEMICALS

ClearView

CLEARVIEW

C

Control Algae
and Minerals

CONTROL ALGAE & MINERALS

MINERAL MAGNET



Removes metals from pool water, also useful to remove metal stains and scale from pool surfaces. Compatible with all water treatment systems.

Imperial No.	Part Number	Description
250048	CVLMMQT12	12 X 1 quarts

GOOD BYE METAL



Good-Bye Metal is a heavy duty sequestering and chelating agent for metals in pool water. Chelating metals surrounds them with a protective layer to prevent discoloration and staining, while sequestering them into larger particles which will be removed by the pools filtration system.

Imperial No.	Part Number	Description
EPM001	48017010	12 X 1 Quart

GOOD BYE METAL NO PHOS



Good-Bye Metal - No Phos is a heavy duty chelating and sequestering agent that will not interfere with the phosphate testing process and will not falsely register as phosphate in swimming pool water. This product should be used in any pool that has a history of phosphate problems or as the product of choice when phosphates are actively tested for on a regular basis.

Imperial No.	Part Number	Description
EPM005	48017020	12 X 1 Quart

POLY POWER 60



Highly concentrated algaecide preventative for treating hard to kill mustard, black, and blue-green algae. Will not stain pool surfaces. Non-foaming, non metallic.

Imperial No.	Part Number	Description
250046	CVLPPQT12	12 X 1 quarts

POLY POWER 30



Used to kill green algae. Excellent preventative. Will not stain pool surfaces. Non-metallic, non-foaming.

Imperial No.	Part Number	Description
250054	CVLPP30QT12	Poly Power 30 12x1 qt bttls/cs

QUAT POWER



Highly effective economical algaecide for the control of algae in pool water. 50% Active Quat.

Imperial No.	Part Number	Description
250047	CVLQPQT12	12 X 1 quarts

CHEMICALS

ClearView

CLEARVIEW

C

Control Algae
and Mustard

CONTROL ALGAE & MINERALS

COPPER STRIKE



A 11.2% chelated copper algaecide that eliminates and controls the growth of all types of algae in pool water. Use with all pool surfaces. Compatible with all chlorine and bromine systems.

Imperial No.	Part Number	Description
250045	CVLCSQT12	12 X 1 quarts

GOOD BYE MUSTARD



Good-Bye Mustard is a water enhancer that increases chlorine efficiency in the destruction and future control of mustard algae outbreaks. The product is direction specific and the label instructions should be followed at all times. This product is generally the only accepted product for use in salt generation pools and will not impact chlorine production or levels after its use.

Imperial No.	Part Number	Description
EPM045	48017080	12 X 2 lb. Bottle

PM

Professional Strength
Pool Maintenance

PROBLEM SOLVERS & MAINTENANCE

SUPER CRYSTAL CLARIFIER



Works with filtration to collect organic waste particles for clear, sparkling water. PH neutral, non-staining, non-foaming and not effected by shock treatments. Compatible with all water treatment systems.

Imperial No.	Part Number	Description
250097	CVLSCC40Z	12 x 4 oz
250072	CVLSCCQT12	12 X 1 quarts

DROP OUT



A supercharged clarifier which collects cloud causing particles too small for the pool filter.

Imperial No.	Part Number	Description
250050	CVLDOQT12	12 X 1 quarts

FILTER AID



Effectively removes oil, scale, organics and grime from sand, cartridge and diatomaceous earth filters.

Imperial No.	Part Number	Description
250049	CVLFAQT12	12 X 1 quarts

TILE & VINYL CLEANER



Professional strength tile & vinyl cleaner. Non-abrasive.

Imperial No.	Part Number	Description
250051	CVLTVCQT12	12 X 1 quarts

CHEMICALS

ClearView

CLEARVIEW

PM

PROBLEM SOLVERS & MAINTENANCE

POOL PERFECT



Just a capful per week for clear perfect pool water - the industry standard for natural enzyme water treatment.

Imperial No.	Part Number	Description
145832	1322ONCM	Pool Perfect - 6 x 2 L
NC05225	15225NCM	Pool Perfect Total - 6 x 2 L

PHOS-BOSS



Phosphate remover that reduces pool phosphate levels to below 100 ppb.

Imperial No.	Part Number	Description
250084	CVLPB05G6	6 x 1/2 gallons

GOOD BYE STAIN



Good-Bye Stains is a citric acid based stain remover. The product is easily applied directly to the pool water per the instructions on the container. Good-Bye Stains is packaged in a convenient 1 LB bag and treats the industry standard 10,000 gallons of water. This product is suitable for fresh stains and for iron staining including those caused by leaves and other organic matter being in contact with the pool surface over longer periods of time.

Imperial No.	Part Number	Description
EPM020	48016980	24 X 1 lb. Bag

GOOD BYE DIFFICULT STAIN



Good-Bye Difficult Stains is an ascorbic acid based stain remover. The product is easily applied directly to the pool water per the instructions on the container. Good-Bye Difficult Stains is packaged in a convenient 1 LB bag and treats the industry standard 10,000 gallons of water. This product is suitable for stubborn stains and for stains caused by copper and manganese.

Imperial No.	Part Number	Description
EPM025	48016990	24 X 1 lb. Bag

HELLO WARM WATER



Hello Warm Water is a liquid that applies a thin layer to the surface of the pool water. The material will not affect the look, feel, or chemistry of the water but will work to hold heat in by greatly reducing heat loss due to evaporation and thermal radiation. Use weekly for maximum heat retention.

Imperial No.	Part Number	Description
EPM050	48017070	12 X 1 Quart

ClearView

CLEARVIEW SALT PRODUCTS

B

BALANCE THE WATER

ALKALINITY INCREASER



A safe, easy-to-use granular product that raises total alkalinity and acts as a buffer to prevent "pH bounce", staining and corrosion.

Imperial No.	Part Number	Description
250030	CVTA005	8 X 5 lb. pail
250031	CVTA010	4 X 10 lb. Pail
250032PK	CVTA025	2 x 25 lb. pouch

CHEMICALS

ClearView

CLEARVIEW SALT PRODUCTS

B

Balance The Water

BALANCE THE WATER

CALCIUM INCREASER



Calcium Hardness Increaser raises calcium hardness of pool water to aid in the prevention of corrosion, etched plaster and other problems resulting from low calcium hardness.

Imperial No.	Part Number	Description
250033	CVCC010	4 X 10 lb. Pail
250034PK	CVCC025	2 X 25 lb. pouch

STABILIZER



Prevents Chlorine loss from the sun's ultraviolet rays and is buffered for minimal effect on pH.

Imperial No.	Part Number	Description
250036	CVCA005	8 X 4 lb. pail
250052	CAPP001	36 X 1lb bags
250037	CVCA010	4 X 8 lb. pail
250038	CVCA045	45 lb. pail

A

Adjust The PH level

ADJUST THE PH LEVEL

PH DOWN



A granular product for slowly lowering the pH of pool water. Safer to handle and store than liquid acids.

Imperial No.	Part Number	Description
250028	CVSB007	8 X 7 lb. pail
250029	CVSB050	50 lb. Pail

PH UP



A convenient granular product that raises the pH of pool water with minimal effect on overall alkalinity.

Imperial No.	Part Number	Description
250057	CVSA010	4 X 10 lb. pail
250058PK	CVSA025	2 X 25 lb. pouch
250026	CVSA005	8 X 5 lb. pail

S

Sanitize

SANITIZE

POOL SALT



Strictly produced for use in swimming pools, this salt contains lower amounts of impurities than lower priced commodity salts thus reducing staining and other issues associated with chlorine generator use.

Imperial No.	Part Number	Description
SALT40	BSC40	Salt - 40 lb. Bag - Pool Salt Branded. Blended specifically for salt chlorine generators. Retail friendly packaging.
SALT40P		Salt - 40 lb. Bag - pallet QTY 63

CHEMICALS

ClearView

CLEARVIEW SALT PRODUCTS

O

Oxidize

OXIDIZE

GRANULAR SHIMMER N SHOCK



Imperial No.	Part Number	Description
250059	CVDB001	24 X 1lb. bag
250012	CVDB005	8 X 5 lb. pail
250013	CVDB010	4 X 10 lb. pail
250015	CVDB025	25 lb. pail
250016	CVDB050	50 lb. pail

INSTA-CHLOR SUPER 73



Imperial No.	Part Number	Description
252073	ICS73001	24 X 1 lb. bag

INSTA-CHLOR

100% granular calcium hypochlorite. Insta-chlor is non stabilized 68% available chlorine.



Imperial No.	Part Number	Description
250020	IC001	24 X 1lb. bag
250021	IC025	25 lb. pail
250022	IC100	100 lb. pail

CHLOR FREE 15

Swim after treatment in as quick as 15 minutes. A potassium monopersulfate that turns into active chlorine. Chlor free is non-chlorine and non-bleaching.



Imperial No.	Part Number	Description
250023	CVCF001	24 X 1lb. bag
250024	CVCF025	25 lb. pail

C

Control Algae and Minerals

CONTROL ALGAE & MINERALS

MINERAL MAGNET

Removes metals from pool water, also useful to remove metal stains and scale from pool surfaces. Compatible with all water treatment systems.



Imperial No.	Part Number	Description
250048	CVLMMQT12	12 X 1 quarts

GOOD BYE METAL

Good-Bye Metal is a heavy duty sequestering and chelating agent for metals in pool water. Chelating metals surrounds them with a protective layer to prevent discoloration and staining, while sequestering them into larger particles which will be removed by the pools filtration system.



Imperial No.	Part Number	Description
EPM001	48017010	12 X 1 Quart

CHEMICALS

ClearView

CLEARVIEW SALT PRODUCTS

C

Control Algae
and Minerals

CONTROL ALGAE & MINERALS

GOOD BYE METAL NO PHOS



Good-Bye Metal - No Phos is a heavy duty chelating and sequestering agent that will not interfere with the phosphate testing process and will not falsely register as phosphate in swimming pool water. This product should be used in any pool that has a history of phosphate problems or as the product of choice when phosphates are actively tested for on a regular basis.

Imperial No.	Part Number	Description
EPM005	48017020	12 X 1 Quart

POLY POWER 60



Highly concentrated algaecide preventative for treating hard to kill mustard, black, and blue-green algae. Will not stain pool surfaces. Non-foaming, non metallic.

Imperial No.	Part Number	Description
250046	CVLPPQT12	12 X 1 quarts

POLY POWER 30



Used to kill green algae. Excellent preventative. Will not stain pool surfaces. Non-metallic, non-foaming.

Imperial No.	Part Number	Description
250054	CVLPP30QT12	Poly Power 30 12x1 qt bttls/cs

QUAT POWER



Highly effective economical algaecide for the control of algae in pool water. 50% Active Quat.

Imperial No.	Part Number	Description
250047	CVLQPQT12	12 X 1 quarts

GOOD BYE MUSTARD



Good-Bye Mustard is a water enhancer that increases chlorine efficiency in the destruction and future control of mustard algae outbreaks. The product is direction specific and the label instructions should be followed at all times. This product is generally the only accepted product for use in salt generation pools and will not impact chlorine production or levels after its use.

Imperial No.	Part Number	Description
EPM045	48017080	12 X 2 lb. Bottle

PM

Problem Solvers
and Maintenance

PROBLEM SOLVERS & MAINTENANCE

SUPER CRYSTAL CLARIFIER



Works with filtration to collect organic waste particles for clear, sparkling water. PH neutral, non-staining, non-foaming and not effected by shock treatments. Compatible with all water treatment systems.

Imperial No.	Part Number	Description
250097	CVLSCC40Z	12 x 4 oz
250072	CVLSCCQT12	12 X 1 quarts

CHEMICALS

ClearView

CLEARVIEW SALT PRODUCTS

PM

PROBLEM SOLVERS & MAINTENANCE

DROP OUT



A supercharged clarifier which collects cloud causing particles too small for the pool filter.

Imperial No.	Part Number	Description
250050	CVLDOQT12	12 X 1 quarts

FILTER AID



Effectively removes oil, scale, organics and grime from sand, cartridge and diatomaceous earth filters.

Imperial No.	Part Number	Description
250049	CVLFAQT12	12 X 1 quarts

TILE & VINYL CLEANER



Professional strength tile & vinyl cleaner. Non-abrasive.

Imperial No.	Part Number	Description
250051	CVLTVQC12	12 X 1 quarts

PHOS-BOSS



Phosphate remover that reduces pool phosphate levels to below 100 ppb.

Imperial No.	Part Number	Description
250084	CVLPB05G6	6 x 1/2 gallons

GOOD BYE STAIN



Good-Bye Stains is a citric acid based stain remover. The product is easily applied directly to the pool water per the instructions on the container. Good-Bye Stains is packaged in a convenient 1 LB bag and treats the industry standard 10,000 gallons of water. This product is suitable for fresh stains and for iron staining including those caused by leaves and other organic matter being in contact with the pool surface over longer periods of time.

Imperial No.	Part Number	Description
EPM020	48016980	24 X 1 lb. Bag

GOOD BYE DIFFICULT STAIN



Good-Bye Difficult Stains is an ascorbic acid based stain remover. The product is easily applied directly to the pool water per the instructions on the container. Good-Bye Difficult Stains is packaged in a convenient 1 LB bag and treats the industry standard 10,000 gallons of water. This product is suitable for stubborn stains and for stains caused by copper and manganese.

Imperial No.	Part Number	Description
EPM025	48016990	24 X 1 lb. Bag

CHEMICALS

ClearView

CLEARVIEW SALT PRODUCTS

PM

PROBLEM SOLVERS & MAINTENANCE

HELLO WARM WATER



Hello Warm Water is a liquid that applies a thin layer to the surface of the pool water. The material will not affect the look, feel, or chemistry of the water but will work to hold heat in by greatly reducing heat loss due to evaporation and thermal radiation. Use weekly for maximum heat retention.

Imperial No.	Part Number	Description
EPM050	48017070	12 X 1 Quart

POOL PERFECT



Just a capful per week for clear perfect pool water - the industry standard for natural enzyme water treatment.

Imperial No.	Part Number	Description
145832	13220NCM	Pool Perfect - 6 x 2 L
NC05225	15225NCM	Pool Perfect Total - 6 x 2 L

ClearView

CLEARVIEW BIGUANIDE PRODUCTS

B

Balance The Water

BALANCE THE WATER

ALKALINITY INCREASER



A safe, easy-to-use granular product that raises total alkalinity and acts as a buffer to prevent "pH bounce", staining and corrosion.

Imperial No.	Part Number	Description
250030	CVTA005	8 X 5 lb. pail
250031	CVTA010	4 X 10 lb. Pail
250032PK	CVTA025	2 x 25 lb. pouch

CALCIUM INCREASER



Calcium Hardness Increaser raises calcium hardness of pool water to aid in the prevention of corrosion, etched plaster and other problems resulting from low calcium hardness.

Imperial No.	Part Number	Description
250033	CVCC010	4 X 10 lb. Pail
250034PK	CVCC025	2 X 25 lb. pouch

A

Adjust The PH level

ADJUST THE PH LEVEL

PH UP



A convenient granular product that raises the pH of pool water with minimal effect on overall alkalinity.

Imperial No.	Part Number	Description
250057	CVSA010	4 X 10 lb. pail
250058PK	CVSA025	2 X 25 lb. pouch
250026	CVSA005	8 X 5 lb. pail

CHEMICALS

ClearView

CLEARVIEW BIGUANIDE PRODUCTS



ADJUST THE PH LEVEL

PH DOWN



A granular product for slowly lowering the pH of pool water. Safer to handle and store than liquid acids.

Imperial No.	Part Number	Description
250028	CVSB007	8 X 7 lb. pail
250029	CVSB050	50 lb. Pail



CONTROL ALGAE & MINERALS

GOOD BYE METAL NO PHOS



Good-Bye Metal - No Phos is a heavy duty chelating and sequestering agent that will not interfere with the phosphate testing process and will not falsely register as phosphate in swimming pool water. This product should be used in any pool that has a history of phosphate problems or as the product of choice when phosphates are actively tested for on a regular basis.

Imperial No.	Part Number	Description
EPM005	48017020	12 X 1 Quart



PROBLEM SOLVERS & MAINTENANCE

SUPER CRYSTAL CLARIFIER



Works with filtration to collect organic waste particles for clear, sparkling water. PH neutral, non-staining, non-foaming and not effected by shock treatments. Compatible with all water treatment systems.

Imperial No.	Part Number	Description
250072	CVLSCCQT12	12 X 1 quarts

CLEARCIL FILTER CLEANER



Removes oil, scale, organics and grime from all filter types.

Imperial No.	Part Number	Description
CL12001754	12001754	Clearcil Filter Cleaner - 12 x 1 Qt.

TILE & VINYL CLEANER



Professional strength tile & vinyl cleaner. Non-abrasive.

Imperial No.	Part Number	Description
250051	CVLTVCCQT12	12 X 1 quarts

CHEMICALS

ClearView

CLEARVIEW BIGUANIDE PRODUCTS

PM

PROBLEM SOLVERS & MAINTENANCE

GOOD BYE STAIN



Good-Bye Stains is a citric acid based stain remover. The product is easily applied directly to the pool water per the instructions on the container. Good-Bye Stains is packaged in a convenient 1 LB bag and treats the industry standard 10,000 gallons of water. This product is suitable for fresh stains and for iron staining including those caused by leaves and other organic matter being in contact with the pool surface over longer periods of time.

Imperial No.	Part Number	Description
EPM020	48016980	24 X 1 lb. Bag

GOOD BYE DIFFICULT STAIN



Good-Bye Difficult Stains is an ascorbic acid based stain remover. The product is easily applied directly to the pool water per the instructions on the container. Good-Bye Difficult Stains is packaged in a convenient 1 LB bag and treats the industry standard 10,000 gallons of water. This product is suitable for stubborn stains and for stains caused by copper and manganese.

Imperial No.	Part Number	Description
EPM025	48016990	24 X 1 lb. Bag

HELLO WARM WATER



Hello Warm Water is a liquid that applies a thin layer to the surface of the pool water. The material will not affect the look, feel, or chemistry of the water but will work to hold heat in by greatly reducing heat loss due to evaporation and thermal radiation. Use weekly for maximum heat retention.

Imperial No.	Part Number	Description
EPM050	48017070	12 X 1 Quart



GLB

B

BALANCE THE WATER

ALKALINITY UP



A safe, easy-to-use granular product that raises total alkalinity and acts as a buffer to prevent "pH bounce", staining and corrosion.

Imperial No.	Part Number	Description
GLB71200	71200A	Alkalinity Up 9x4 lb. bttls/cs
GLB71202	71202A	Alkalinity Up 4x7.5 lb. bttls/cs

CALCIUM HARDNESS UP



Increases the calcium hardness of pool water to aid in the prevention of corrosion, etched plaster and other problems resulting from low calcium hardness.

Imperial No.	Part Number	Description
GLB71210	71210A	Calcium Hardness Up 4x6 lb. bttls/cs
GLB71214	71214A	Calcium Hardness Up 25 lb. pail

CHEMICALS

GLB



B

Balance
The Water

BALANCE THE WATER

CHLORINE STABILIZER



Maximizes available chlorine in pools. Specially designed to reduce chlorine loss from sunlight.

Imperial No.	Part Number	Description
GLB71265	71265A	Chlorine Stabilizer 12x1.75 lb btcls/cs
GLB71268	71268A	Chlorine Stabilizer 2x10 lb btcls/cs
GLB71273	71273A	Chlorine Stabilizer 6x4 lb btcls/cs

A

Adjust The
PH level

ADJUST THE PH LEVEL

PH UP



A convenient granular product that raises the pH of pool water with minimal effect on alkalinity.

Imperial No.	Part Number	Description
GLB71244	71244A	pH Up 12x2 lb. btcls/cs
GLB71249	71249A	pH Up 4x8 lb. btcls/cs

PH DOWN



A granular product for lowering the pH of water. Safer to handle and store than liquid acids.

Imperial No.	Part Number	Description
GLB71238	71238A	pH Down 12x2 lb. btcls/cs
GLB71240	71240A	pH Down 9x4 lb. btcls/cs
GLB71242	71242A	pH Down 4x10lb btcls/cs

S

Sanitize

SANITIZE

3" TABLETS



Use these 8oz. slow-dissolving tablets for continuous disinfection. 3" tablets offer 89% available chlorine for effective sanitizing.

Imperial No.	Part Number	Description
GLB71230	71230A	3" Tablets 4x8 lb btcls/cs
GLB71232	71232A	3" Tablets 2x15 lb btcls/cs
GLB71234	71234A	3" Tablets 25 lb pail
GLB71236	71236A	3" Tablets 50 lb pail

1" TABLETS



99% trichlor chlorine tablet. Slow dissolving and stabilized. Provides a powerful 89% available chlorine.

Imperial No.	Part Number	Description
GLB71250	71250A	1" Tablets 12x2 lb. btcls/cs
GLB71262	71262A	1" Tablets 50 lb pail

CHEMICALS

GLB



S

SANITIZE

GRANULAR DICHLOR



With 56% available stabilized chlorine, GLB Granular Dichlor offers easy pool sanitizing in a fast-dissolving formula. Contains no calcium.

Imperial No.	Part Number	Description
GLB71220	71220A	Granular Dichlor 4x8 lb. btls/cs
GLB71222	71222A	Granular Dichlor 25 lb. pail
GLB71224	71224A	Granular Dichlor 50 lb. pail

BROMINATING TABLETS



GLB offers the advantages of bromine sanitizing with our 1" brominating tablets. Brominating tablets provide increased sanitizing in a wider range of pH levels than chlorine. Use with automatic feeders.

Imperial No.	Part Number	Description
GLB71003	71003A	Brominating Tablets 50 lb. pail

TRIPLE TAB



Triple action chlorinating tablet that sanitizes, prevents algae and clarifies pool water.

Imperial No.	Part Number	Description
GLB71445A	71445A	Triple Tab 10 lb. pail
GLB71446A	71446A	Triple Tab 22.5 lb. pail

O

OXIDIZE

OXY-BRITE



This non-chlorine shock creates sparkling water and shock treats all in one step. Oxy-Brite's unique blue water brightening crystals literally brighten water while it's shock treatments oxidizes organic contaminants that cause odors, skin and eye irritation, and cloudy water. Allows for swimming immediately after application. Contains DuPont Oxone. One pound treats 10,000 Gal.

Imperial No.	Part Number	Description
GLB71414	71414A	Oxy-Brite 20x1 lb. bags/cs
GLB71416	71416A	Oxy-Brite 12x2.2 lb. btls/cs
GLB71418	71418A	Oxy-Brite 6x5 lb. btls/cs
GLB71420	71420A	Oxy-Brite 2x20 lb. btls/cs

SUPERSONIC



GLB® SuperSonic sanitizes, clarifies, fights algae and won't over-stabilize pool water. It is safe for use on all pool surfaces and leaves no residue. Contains 73% available chlorine.

Imperial No.	Part Number	Description
GLB71440	71440A	Supersonic 25 lbs.
GLB71442	71442A	Supersonic 1 lb x 24
GLB71450	71450A	Supersonic 5 lb. x 6



CONTROL ALGAE & MINERALS

SEQUA-SOL



Sequa-Sol sequestering agent holds iron, manganese, copper and calcium in solution so these minerals do not react with other elements in the water. New improved formula sequesters minerals faster than ever before. Prevents staining, scale, and rust on pool equipment.

Imperial No.	Part Number	Description
GLB71016	71016A	Sequa-Sol 12x1 qt bttls/cs
GLB71018	71018A	Sequa-Sol 4x1 gal bttls/cs

SUPER SEQUA-SOL



This specially formulated concentrated granular form of Sequa-Sol protects pool against minerals in the water. Ideal for filling pools or hard water areas.

Imperial No.	Part Number	Description
GLB71024	71024A	Super Sequa-Sol 12x2 lb bttls/cs
GLB71026	71026A	Super Sequa-Sol 2x20 lb bttls/cs

ALGIMYCIN 2000



Algimycin 2000 is the one algaecide that does it all. This algaecide is so powerful it kills, prevents, and controls all algae types. A special wetting agent penetrates and kills even deeply-rooted algae cells. This nonmetallic, poly-complex formula gives fast and effective control with no foaming or staining. Acts as a clarifier and filter aid by removing dead and living algae fast.

Imperial No.	Part Number	Description
GLB71104	71104A	Algimycin 2000 12x1 qt bttls/cs
GLB71106	71106A	Algimycin 2000 4x1 gal bttls/cs

ALGIMYCIN 600



Triple-action 60% polymer algaecide destroys and prevents the regrowth of algae. Non-foaming.

Imperial No.	Part Number	Description
GLB71108	71108A	Algimycin 600 12x1 qt bttls/cs

ALGAE-X



Non-foaming, multipurpose 30% polymer algaecide is effective over a wide pH range.

Imperial No.	Part Number	Description
GLB71100	71100A	Algae-X 12x1 qt bttls/cs

ALGIMYCIN 1000



This copper/quat formula eliminates the toughest black algae. Patented triple chelation process holds copper ingredients active in solution for longer algae control.

Imperial No.	Part Number	Description
GLB71102	71102A	Algimycin 1000 12x1 qt bttls/cs



CONTROL ALGAE & MINERALS

STRIKE OUT

Designed to control mustard algae, this chelated 7.4% copper algacide is effective & economical.



Imperial No.	Part Number	Description
GLB71114	71114A	Strike Out 12x1 qt bttls/cs



PROBLEM SOLVERS & MAINTENANCE

CLEAR BLUE

Just a small amount of this super concentrated formula adds sparkle while removing particles that dull pool water. A one ounce dose treats up to 5000 gallons.



Imperial No.	Part Number	Description
GLB71404	71404A	Clear Blue 12x1 qt bttls/cs
GLB71406	71406A	Clear Blue 4x1 gal bttls/cs

DROP N VAC

This non-alum flocculent drops suspended, unfilterable debris, including microparticles and dead algae, to the bottom of the pool for easy vacuum removal. Works overnight.



Imperial No.	Part Number	Description
GLB71408	71408A	Drop N' Vac 12x1 qt bttls/cs

FILTER CLEANSE

This multi-purpose granular formulation cleans and unclogs filters of grease, oils, and scale with a unique combination of acids and detergents. Solution will change from red to yellow as it cleans.



Imperial No.	Part Number	Description
GLB71006	71006A	Filter Cleanse 12x2 lb bttls/cs
GLB71008	71008A	Filter Cleanse 2x20lb bttls/cs

FILTER FRESH

This specially developed acid-based liquid cartridge cleaner removes debris with it's overnight soak formula. Regular treatment helps filters operate at maximum efficiency.



Imperial No.	Part Number	Description
GLB71010	71010A	Filter Fresh 12x1 qt bttls/cs

FILTER RINSE

Easy-to-use sand filter cleaner. Just pour into pool skimmer to clear sand of caked on debris.



Imperial No.	Part Number	Description
GLB71014	71014A	Filter Rinse 12x1 qt bttls/cs



PROBLEM SOLVERS & MAINTENANCE

TLC



Removes oil, grime and mineral scale from common pool surfaces such as tile, vinyl and concrete.

Imperial No.	Part Number	Description
GLB71028	71028A	TLC 12x1 qt bttls/cs

COVER CARE



Cleans, deodorizes and protects pool and solar covers from grime, grease and dirt. Lemon scent.

Imperial No.	Part Number	Description
GLB71004	71004A	Cover Care 12x1 qt bttls/cs

NATURAL CLEAR ENZYME



Environmentally friendly Natural Clear is a biodegradable water cleaner. Concentrated formula rids pools of organics that cause odors, scum lines, clogged filters, and cloudy water.

Imperial No.	Part Number	Description
GLB71410	71410A	Natural Clear 12x1 qts bttls/cs
GLB71412	71412A	Natural Clear 4x1 gal bttls/cs

STAIN MAGNET



Granular formula quickly eliminates metallic stains from pool surfaces. Safe for all pool types.

Imperial No.	Part Number	Description
GLB71020	71020A	Stain Magnet 12x2.5 lb bttls/cs

VANQUISH



Specially formulated to treat the pink deposits that grow on pool walls and in plumbing. Vanquish treats pink, white and clear slime in any swimming pool, including those sanitized with biguanide.

Imperial No.	Part Number	Description
GLB71118	71118A	Vanquish 12x1 qts/cs

CHEMICALS

SERVICE CHEMICALS

B
Balance
the Water

BALANCE THE WATER

ALKALINITY BOOSTER



A safe, easy-to-use granular product that raises total alkalinity and acts as a buffer to prevent "pH bounce", staining and corrosion.

Imperial No.	Part Number	Description
260061	48017330	25 lb. Cube
145465	SC50T	Sodium Bicarbonate 50# Bag

CALCIUM HARDNESS INCREASER



Calcium Hardness Increaser raises calcium hardness of pool water to aid in the prevention of corrosion, etched plaster and other problems resulting from low calcium hardness.

Imperial No.	Part Number	Description
260063	48017340	25 lb. Cube
145467	CC50T	Calcium Chloride - 50# bag

STABILIZER



Prevents Chlorine loss from the sun's ultraviolet rays and is buffered for minimal effect on pH.

Imperial No.	Part Number	Description
250038	CVCA045	45 lb. pail

A
Adjust the
PH level

ADJUST THE PH LEVEL

PH INCREASER



A convenient granular product that raises the pH of pool water with minimal effect on overall alkalinity.

Imperial No.	Part Number	Description
260060	48017350	30 lb. Cube
145466	SA50T	Soda Ash Light - 50# Bag

PH DECREASER



Imperial No.	Part Number	Description
149124	MA4T	Muriatic Acid - 4x1 Gallon
BUSS50T	SS50T	Sodium Bisulfate - 50# Bag

CHEMICALS

SERVICE CHEMICALS

S
Sanitize

SANITIZE

3" TRICHLOR TABS



100% trichlor chlorine tablet stabilized.

Imperial No.	Part Number	Description
250060	CVWHITETL025U	Tabs 3" 25 lb. Pail
250061	CVWHITETL050U	Tabs 3" 50 lb. Pail

TRICHLOR STICKS



8 oz. Trichlor sticks stabilized.

Imperial No.	Part Number	Description
250062	CVWHITEST025	Sticks 25 lb. Pail
250063	CVWHITEST050	Sticks 50 lb. Pail

1" BROMINE TABS



Bromine tabs provide increased sanitizing in a wider range of PH levels than chlorine. Use with automatic feeders.

Imperial No.	Part Number	Description
260001	12002299 / 12002596	25 lb. pail (Protech Label)
260002	12002597	50 lb. Pail (Protech Label)

O
Oxidize

OXIDIZE

68% CALCIUM HYPOCHLORITE SHOCK



100% granular calcium hypochlorite. Granular calcium hypochlorite is non stabilized 68% available chlorine.

Imperial No.	Part Number	Description
145132	71432A	CalHypo 68% 100 lb. Pail

LIQUID SHOCK - SODIUM HYPOCHLORITE



Imperial No.	Part Number	Description
149125	520200	Sodium Hypochlorite - liquid shock 4 x 1 gallon

CHEMICALS

SERVICE CHEMICALS

C

Control Algae
and Minerals

CONTROL ALGAE & MINERALS

METAL FREE



Inhibits and prevents scale formation and staining from iron, copper and manganese. Biguanide Compatible

Imperial No.	Part Number	Description
145838	17001NCM	Metal Free - 12 x 1 L

5% MAINTENANCE ALGAECIDE



Imperial No.	Part Number	Description
149122	ALGAECIDE II	Algaecide 5% - 4x1 Gallon

10% MAINTENANCE ALGAECIDE



Imperial No.	Part Number	Description
149123	ALGAECIDE	Algaecide 10% - 4x1 Gallon

SILVERTRINE ALGAECIDE



Eliminates tough black and mustard algae. Non-staining formula treats twice the volume of water as other silver algaecides, so you may use half as much! Odorless, tasteless, and non-foaming at pool concentration, and may reduce other chemical usage. Will not damage tile, concrete, metal, or plastics. Improves filter operation.

Imperial No.	Part Number	Description
AD403303	403303A	Silvertrine Algaecide 12 x 1 Qt.
AD403303E		1 Qt. - Sold as EACH (12/CASE)

PM

Problem Solvers
and Maintenance

PROBLEM SOLVERS & MAINTENANCE

CULATOR



Metal Remover- That actually removes metals.

Imperial No.	Part Number	Description
250090	CUL-1MO-CS48	CuLator Metal Remover - 6 pks/cs
250092	CUL-ULT-CS12	CuLator Ultra Powerpak - 12 pks/cs

PHOSFREE



Eliminates phosphates from pools. Unique patented formula used to reduce phosphate levels in a pool to near zero at initial fill or at season opening.

Imperial No.	Part Number	Description
145833	15221NCM	PhosFree - 6 x 2 L

CHEMICALS

SERVICE CHEMICALS

PM

PROBLEM SOLVERS & MAINTENANCE

GOOD BYE MUSTARD



Good-Bye Mustard is a water enhancer that increases chlorine efficiency in the destruction and future control of Mustard algae outbreaks. The product is direction specific and the label instructions should be followed at all times. This product is generally the only accepted product for use in salt generation pools and will not impact chlorine production or levels after its use.

Imperial No.	Part Number	Description
EPM045	48017080	12 X 2 lb. Bottle

NATURAL CHEMISTRY PRO SERIES

ALGAE BREAK 90



Controls algae in swimming pools for up to 3 months. Highly effective on blue-green, black and mustard algae. Non-staining formula. 4 x 1 Gal Natural Chemistry Pro Series Stain and Scale Control

Imperial No.	Part Number	Description
NC20760	20760PRO	Pro Series Algae Break 90 - 4 x 1 Gallon

NATURAL CLARIFIER



Natural clarifier that effectively and quickly clears problem water. It is impossible to overdose and can be applied with shock or high sanitizer levels.

Imperial No.	Part Number	Description
NC20311	20311PRO	Pro Series Natural Clarifier - 4x1 Gallon

BULK ITEMS

ALGAECIDE



For openings, closings, and maintenance.

Imperial No.	Part Number	Description
149122	ALGAECIDE II	Algaecide 5% - 4x1 Gallon
149123	ALGAECIDE	Algaecide 10% - 4x1 Gallon

ALKALINITY INCREASER



A safe, easy-to-use granular product that raises total alkalinity and acts as a buffer to prevent "pH bounce", staining and corrosion.

Imperial No.	Part Number	Description
145465	SC50T	Sodium Bicarbonate 50# Bag

CALCIUM INCREASER



Calcium Hardness Increaser raises calcium hardness of pool water to aid in the prevention of corrosion, etched plaster and other problems resulting from low calcium hardness.

Imperial No.	Part Number	Description
145467	CC50T	Calcium Chloride - 50# bag

CHEMICALS

BULK ITEMS

LIQUID SHOCK



Imperial No.	Part Number	Description
149125	520200	Sodium Hypochlorite - liquid shock 4 x 1 gallon

PH DECREASER



A granular product for slowly lowering the pH of pool water. Safer to handle and store than liquid acids.

Imperial No.	Part Number	Description
149124	MA4T	Muriatic Acid - 4x1 Gallon
BUSS50T	SS50T	Sodium Bisulfate - 50# Bag

PH INCREASER



A convenient granular product that raises the pH of pool water with minimal effect on overall alkalinity.

Imperial No.	Part Number	Description
145466	SA50T	Soda Ash Light - 50# Bag

POOL SALT



Extra Fine - Quick Dissolving Crystals

Imperial No.	Part Number	Description
SALT40	BSC40	Salt - 40 lb. Bag - Pool Salt Branded. Blended specifically for salt chlorine generators. Retail friendly packaging.
SALT40P		Salt - 40 lb. Bag - pallet QTY 63

**TAKE
IT TO THE
MAX!**

OUR
STRONGEST
FORMULAS YET!



www.naturalchemistry.com

We are launching two exciting new products with marketing support for 2020! Introducing **PHOSfree® MAX**, our strongest phosphate remover available AND **Pool Perfect® MAX**, our premier maintenance enzyme, phosphate remover and clarifier formulation.



Imperial POOLS INC.®

REDEFINING ONE SOURCE

MANUFACTURER – DISTRIBUTOR – PARTNER

Imperial Pools is North America's only Privately Owned manufacturer of inground residential swimming pools and full line distributor of related products.

- Packaged Pools
- Steps
- Vinyl Liners
- Safety Covers
- Coping
- Pumps & Filters
- Heating
- Chemicals
- Cleaners / Maintenance
- Parts & Accessories
- Spas



Imperial POOLS INC.®

REDEFINING ONE SOURCE

33 Wade Rd
Latham, New York 12110

www.imperialpools.com

CHEMICALS

NATURAL CHEMISTRY



CYA REMOVAL KIT



Imperial No.	Part Number	Description
NC07431	17431NCM	Cyanuric Acid Removal Kit - 2 Part System

YELLOW OUT



Imperial No.	Part Number	Description
145685	17612COR	Yellow Out Algaecide 12 x 2 lb

CLEAR - ALL NATURAL CLARIFIER



All natural chitosan based clarifier. Highest concentration of active ingredients available in a natural clarifier!

Imperial No.	Part Number	Description
NC03555	13555NCM	Clear - 12 x 32 oz

CLEAR & PERFECT



Quickly clears cloudy water and polishes dull water by removing small suspended particles.

Imperial No.	Part Number	Description
145844	13500NCM	Clear & Perfect - 12 x 32 oz

COVER FREE



Liquid solar product that reduces heat loss and evaporation.

Imperial No.	Part Number	Description
NC07100	17100NCM	Cover Free - 12 x 32 oz

FILTER PERFECT



Naturally based filter cleaner that can be used with all filter types.

Imperial No.	Part Number	Description
145846	13215NCM	Filter Perfect 12 x 1 L

CHEMICALS

NATURAL CHEMISTRY



INSTANT POOL WATER CONDITIONER



Revolutionary liquid cyanuric technology that protects chlorine from sunlight as soon as it's added to pool water. No more waiting for results!

Imperial No.	Part Number	Description
NC07401	17401NCM	Instant Conditioner - 4 x 1 gal

METAL FREE



Helps prevent metal-based staining. Does not contribute to unwanted phosphate contamination.

Imperial No.	Part Number	Description
145838	17001NCM	Metal Free - 12 x 1 L

PHOSFREE



Use Natural Chemistry's unique patented formula to reduce phosphate levels in a pool to near zero. The amount needed depends on pool size and phosphate level in the water (test kit available to authorized dealers and service professionals)

Imperial No.	Part Number	Description
145833	15221NCM	PhosFree - 6 x 2 L
NC05121	15121NCM	PhosFree - 4 x 3 L
NC05236	15236NCM	PhosFree Extra Strength - 4 x 3 L

POOL FIRST AID



Removes dead algae, pollen, scum build-up, waterline ring, cloudy water, clogged filters and unpleasant odors with no scrubbing! Also contains electrolyte polymer clarifier for quicker results.

Imperial No.	Part Number	Description
145830	13122NCM	Pool First Aid - 6 x 2 L

POOL MAGIC SPRING & FALL



Special concentrated cold-water formula for use in the fall to close pools and/or in the spring when opening to ensure a hassle-free start-up. Powerful formula helps prevent scum rings and reduces off-season organic staining.

Imperial No.	Part Number	Description
145834	13722NCM	Pool Magic Spring & Fall - 12 x 1 L

POOL MAGIC+PHOSFREE



Closing pools for the season with this blend of Pool Magic and PHOSfree will mean a smooth opening in the spring no waterline ring and no hassle! Keeps phosphates low in the off season. Ideal spring start-up for lower phosphate pools.

Imperial No.	Part Number	Description
145837	15141NCM	Pool Magic PhosFree - 12 x 1 L

CHEMICALS

NATURAL CHEMISTRY



POOL PERFECT



The industry standard for natural based enzyme water treatment. Used in residential pools to ensure crystal clear, sparkling water. Pool Perfect reduces scum lines as well as unpleasant odors. It continuously cleans filters to extend run cycles.

Imperial No.	Part Number	Description
145832	13220NCM	Pool Perfect - 6 x 2 L
NC05225	15225NCM	Pool Perfect Total - 6 x 2 L

POOL PERFECT+PHOSFREE



Removes phosphates and non-living organics weekly. This product combines the enzyme technology of Pool Perfect with a maintenance dose of Phosfree to make weekly pool maintenance a breeze. Pool Perfect breaks down oils and other non-living organic material while PHOSfree reduces phosphates that enter pool water on a weekly basis.

Imperial No.	Part Number	Description
145835	15235NCM	Pool Perfect/PhosFree - 6 x 2L
145843	15131NCM	Pool Perfect/PhosFree - 4 x 3L

PRO SERIES

ALGAE BREAK 90



Controls algae in swimming pools for up to 3 months. Highly effective on blue-green, black and mustard algae. Non-staining formula. 4 x 1 Gal Natural Chemistry Pro Series Stain and Scale Control

Imperial No.	Part Number	Description
NC20760	20760PRO	Pro Series Algae Break 90 - 4 x 1 Gallon

NATURAL CLARIFIER



Natural clarifier that effectively and quickly clears problem water. It is impossible to overdose and can be applied with shock or high sanitizer levels.

Imperial No.	Part Number	Description
NC20311	20311PRO	Pro Series Natural Clarifier - 4x1 Gallon

PURGE



Purge attacks the root cause of most pool maintenance issues - the buildup of non-living organic waste. Contaminants like oil, lotions, sunscreens, cosmetics, sweat, and hair products build up in the pool's circulation system and filter. By purging the pool of this non-living organic buildup, symptoms are greatly reduced.

Imperial No.	Part Number	Description
NC03125	13125NCM	Purge - 6 x 2 L

SALT WATER MAGIC LIQUID MAINTENANCE KIT



Take the guesswork out of monthly chlorine generator pool maintenance. This monthly maintenance kit contains the ultimate combination of products for optimum chlorine generator performance - phosphate remover, natural based enzymes to break down non-living organics, and metals/scale control.

Imperial No.	Part Number	Description
NC07404	17404NCM	Salt Water Magic - 4 x Kit

CHEMICALS

NATURAL CHEMISTRY



SCALE FREE



Helps prevent scale buildup due to calcium and mineral hardness. Helps reduce metal-based staining.

Imperial No.	Part Number	Description
NC07511	17511NCM	Scale Free - 6 x 2 L

STAIN FREE



Ascorbic and citric acid products for treating staining on vinyl pool liners and fiberglass pools.

Imperial No.	Part Number	Description
NC07395	17395NCM	Stain Free - 12 x 1.75 lb (ascorbic acid, works faster)
NC07400	17400NCM	Stain Free - 12 x 1.75 lb (citric acid)

JACKS MAGIC

METAL SOLUTION - THE PINK STUFF



Jack's Magic Metal Solution - "The Pink Stuff" - Professional strength, general purpose sequestering agent. "The Pink Stuff" is the most recommended start-up product in the swimming pool industry and is the perfect product for controlling plaster dust.

Imperial No.	Part Number	Description
142054	JMPINK032	Metal Solution 32oz

METAL SOLUTION TOO - THE BLUE STUFF



Jack's Magic Metal Solution Too- "The Blue Stuff" does everything "The Pink Stuff" does and more. "The Blue Stuff" proprietary blend actually removes copper from the water. "The Blue Stuff" is also very stable in higher chlorine levels and can be used in many fountain and water feature applications.

Imperial No.	Part Number	Description
142051	JMBLUE032	Metal Solution Too 32oz

O2 SAFE SHOCK



A non-chlorine shock like you have never seen. O2 Safe Shock is not a persulfate compound. O2 Safe Shock yields more than 12% active oxygen & 3 times more than most persulfate compounds. O2 Safe Shock can also be used as an acid-wash pretreatment, making tough copper stains much easier to remove. O2 Safe Shock is part of the Stain Removal System, but it has many other applications. O2 Safe Shock is not recommended for normal chlorinated pools, but is ideal for biguanide, ionization and ozonation systems.

Imperial No.	Part Number	Description
142059	JMSAFE5	O2 Safe Shock 5lb

PROFESSIONAL TEST KIT



Imperial No.	Part Number	Description
142050	TK003	Jack's Magic Professional Test Kit

CHEMICALS

JACKS MAGIC

SEQUEST TEST KIT



The Sequest Test Kit is designed to measure the amount of Jack's Magic sequestering agents (The Pink Stuff, The Blue Stuff and The Purple Stuff) actively working to prevent and remove stains and scale in the swimming pool. Sequestering agents expend or are used up as they do their job. This occurs at vastly different rates depending upon the types of minerals and impurities in the swimming pool water. Until Jack's Magic, there was no practical way to gauge the amount of sequestering agent that any swimming pool will need on a weekly basis. Now you can monitor the data needed to successfully maintain a stain prevention program.

Imperial No.	Part Number	Description
142061	TK044	Sequest Test Kit

STAIN ID KIT



The Jack's Magic Topical Kit is the first step in performing a successful Jack's Magic stain removal. The Topical Kit is designed to take all the guesswork out of removing swimming pool stains and will ensure that you don't purchase products that you don't need.

Imperial No.	Part Number	Description
142062	JMSTAINID	Topical Kits

STAIN SOLUTION #1 - THE IRON COBALT & SPOT ETCHING STUFF



A safe, nontoxic, non-acidic product for removing iron, cobalt, and spot-etching stains from all types of pool surfaces without draining the pool. Designed to be non-labor intensive, "The Iron, Cobalt & Spot Etching Stuff" will remove these stains easily and effectively normally within 48 hours.

Imperial No.	Part Number	Description
142055	JMIRON1	Stain Solution #1 1lb
142056	JMIRON2	Stain Solution #1 2lb

STAIN SOLUTION #2 - THE COPPER & SCALE STUFF



"The Copper & Scale Stuff" is designed to safely and effectively remove copper stains from all types of pool surfaces w/out draining the pool. In most cases, "The Copper & Scale Stuff" is more effective than draining and acid washing the pool and will save money on water balance chemicals and replacement water. "The Copper & Scale Stuff" is easy to use and generally requires only minimal water balance adjustments prior to use.

Imperial No.	Part Number	Description
142058	JMCOPPER5	Stain Solution #2 5lb
142057	JMCOPPER10	Stain Solution #2 10lb

STEP STUFF



"Step Stuff" is a simple to use, two part system which will safely and effectively remove yellow-brown stains off thermoformed pool steps right before your eyes. Easy to use and safe for all vinyl liner pool steps.

Imperial No.	Part Number	Description
142060	JMSTEPSTUFF	Step Stuff

THE PURPLE STUFF



"SALT SOLUTION" is the stain preventative of choice, and a must product for salt (chlorine) generator pools. Unlike traditional sequestering agents, The Purple Stuff works extremely well in high salt and high TDS pools. The Purple Stuff keeps silica in solution while greatly reducing the incidence of cell fouling (scaling) in salt (chlorine) generators.

Imperial No.	Part Number	Description
JMPURPLE032	JMPURPLE032	Salt Solution 32oz

CHEMICALS

JACKS MAGIC

THE YELLOW STUFF



"ALGAECIDE" is a powerful all-purpose algaecide. The Yellow Stuff quickly eliminates all types of algae breakouts, and is also a highly effective algae preventative. The Yellow Stuff is safe for all pool finishes and works all major pool sanitizing systems. Swimming can resume in a few hours.

Imperial No.	Part Number	Description
JMYELLOW2	JMYELLOW2	Algacide 2lb

SEAKLEAR



Imperial No.	Part Number	Description
149141	90402SKR	Natural Clarifier,1 quart
149143	90411SKR	90-Day Algae Prevention & Remover,1 quart
SK1010300	90180SKR	Rescue Klear,1 quart
SK1040105	90207SKR	Phosphate Remover - 1 Quart
SK1040400	90051SKR	Free & Klear, 1 quart
SK1112000	90245SKR	Solar Shield - 12x1 Quart
SKAP02	90127APL	Aquapill #2 Clarifier Pill (12/CS)
SMPAP73	90124APL	Solar Pill 2 3/4" (Sold as case of 15)

SPECIALTY CHEMICALS

ADVANTIS TECHNOLOGIES



Eliminates tough black and mustard algae. Non-staining formula treats twice the volume of water as other silver algaecides, so you may use half as much! Odorless, tasteless, and non-foaming at pool concentration, and may reduce other chemical usage. Will not damage tile, concrete, metal, or plastics. Improves filter operation.

Imperial No.	Part Number	Description
AD401115	401115A	Thiotrene Chlorine Neutralizer, case of 12
AD403303	403303A	Silvertrine Algaecide 12 x 1 Qt.
AD403303E		1 Qt. - Sold as EACH (12/CASE)

GOOD BYE MUSTARD



Good-Bye Mustard is a water enhancer that increases chlorine efficiency in the destruction and future control of Mustard algae outbreaks. The product is direction specific and the label instructions should be followed at all times. This product is generally the only accepted product for use in salt generation pools and will not impact chlorine production or levels after its use.

Imperial No.	Part Number	Description
EPM045	48017080	12 X 2 lb. Bottle

CULATOR



Metal Remover- That actually removes metals.

Imperial No.	Part Number	Description
250090	CUL-1MO-CS48	CuLator Metal Remover - 6 pks/cs
250092	CUL-ULT-CS12	CuLator Ultra Powerpak - 12 pks/cs

CHEMICALS

SPA CHEMICALS

B
Balance
the Water

MINERALUXE SPA PRODUCTS

BALANCE THE WATER

ALKALINITY PLUS



A granular, alkaline mineral compound used to raise total alkalinity in hot tub water. When TA is balanced, corrosion of surfaces is reduced and pH is buffered effectively and less likely to shift.

Imperial No.	Part Number	Description
257111	UML09743	16 x 1.6 lb

CALCIUM PLUS



Imperial No.	Part Number	Description
257113	UML09744	16 x 1.1 lb

A
Adjust the
PH level

ADJUST THE PH LEVEL

PH PLUS



A granular, alkaline mineral that raises pH quickly and efficiently to prevent corrosion, allow sanitizers to work efficiently and maintain water comfort.

Imperial No.	Part Number	Description
257110	UML09741	16 x 1.5 lb

PH MINUS



A granular acid formulation that safely lowers pH to prevent scale formation, cloudy water, allow sanitizers to work efficiently and maintain water comfort.

Imperial No.	Part Number	Description
257112	UML09746	16 x 12 lb

S
Sanitize

SANITIZE

CHLORINATING TABS



Mineraluxe Chlorinating Tablets are 1" chlorinating tablets of 100% Trichloro-s-triazinetrione for controlling algae and bacteria in hot tub water. For use in chlorinators or in floaters.

Imperial No.	Part Number	Description
257107	UML09730	12 x 1.06 lb

CHEMICALS

SPA CHEMICALS

S
Sanitize

MINERALUXE SPA PRODUCTS

SANITIZE

1 MONTH CHLORINATING TABLET SYSTEM



One Month Chlorinating Mineraluxe System. Includes 7.05 oz Chlorinating Tablets, 5x1.5 oz pouches of Oxygen Plus, 5 Mineraluxe Cubes.

Imperial No.	Part Number	Description
257102	UML09703	1 x 1 Kit

3 MONTH CHLORINATING TABLET SYSTEM



Three Month Chlorinating Mineraluxe System. Includes 1.06 lb Chlorinating Tablets, 16x1.5 oz pouches of Oxygen Plus, 13 Mineraluxe Cubes.

Imperial No.	Part Number	Description
257103	UML09704	1 x 1 Kit

BROMINE GRANULES



Mineraluxe Brominating Granules contains a blend of bromide salts and a chlorine activator for the production of active bromine in hot tub water for controlling harmful micro organisms. Ideal for regular hand feed applications, periodic shock treatments and to boost bromine levels when low.

Imperial No.	Part Number	Description
257115	UML09733	12 x 1.3 lb

BROMINATING TABS



Mineraluxe Brominating Tablets are 1" bromine tablets (Bromo-Chloro-Dimethylhydantoin) for controlling harmful micro-organisms in hot tub water. For use in Brominators or in floaters.

Imperial No.	Part Number	Description
257106	UML09725	12 x 1.06 lb

1 MONTH BROMINATING TABLET SYSTEM



One Month Brominating Tablets Mineraluxe System. Includes 7.05 oz Brominating Tablets, 5x1.5 oz pouches of Oxygen Plus, 5 Mineraluxe Cubes.

Imperial No.	Part Number	Description
257100	UML09701	1 x 1 Kit

3 MONTH BROMINATING TABLET SYSTEM



Three Month Brominating Tablets Mineraluxe System. Includes 1.06 lb Brominating Tablets, 16x1.5 oz pouches of Oxygen Plus, 13 Mineraluxe Cubes.

Imperial No.	Part Number	Description
257101	UML09702	1 x 1 Kit

CHEMICALS

SPA CHEMICALS

S
Sanitize

MINERALUXE SPA PRODUCTS

SANITIZE

HOT TUB STARTER KIT



A selection of Mineraluxe Hot Tub products to get new hot tub owners started off on the right foot! Each kit includes: Mineraluxe Oxygen Plus (16 bags x 1.5 oz), Mineraluxe Cubes (11.5 oz), Mineraluxe pH Plus (1.5 lb), Mineraluxe Alkalinity Plus (1.6 lb), Mineraluxe pH Minus (2 lb), Mineraluxe Calcium Hardness Increaser (1.1 lb), Mineraluxe Test Strips (50 each) and a water sample bottle.

Imperial No.	Part Number	Description
257114	UML09788	1 x 1 Kit

O
Oxidize

OXIDIZE

OXYGEN PLUS



Mineraluxe Oxygen Plus provides a deep cleanse for your customer's hot tub. This once a week application will oxidize your customer's water and bring it back to an ultra clean and clear state. Conveniently packaged in pre-measured 1.5 oz sachets for ease and convenience.

Imperial No.	Part Number	Description
257105	UML09722	8 x 16 x 1.5 oz

C
Control Algae and Slimes

CONTROL

MINERALUXE CUBES



The Mineraluxe Cube is the star of the Mineraluxe system. It's an advanced weekly mineral treatment, featuring a blend of natural minerals fused with advanced cleanse and repel technology. It will leave your customer's hot tub squeaky clean and will dramatically reduce the scaling of heaters, jets, surfaces and equipment.

Imperial No.	Part Number	Description
257104	UML09711	8 x 11.5 oz

PM
Problem Solving and Maintenance

PROBLEM SOLVERS & MAINTENANCE

CLEANSE & DRAIN



Mineraluxe Cleanse & Drain is designed to effectively clean hot tub plumbing by eliminating build-up of organic waste contamination! These contaminants collect and build-up in the circulation system and filter. By purging the hot tub of this organic build-up, the symptoms of contamination will be reduced or eliminated.

Imperial No.	Part Number	Description
257109	UML09737	16 x 24 oz

FILTER REVIVE



Mineraluxe Filter Revive's extra strength, rapid action formula allows you to clean a filter in significantly less time! Removes greases and oils and breaks down scale and other contaminants that commonly accumulate on filter media. Whitens cartridges for that clean look!

Imperial No.	Part Number	Description
257108	UML09736	16 x 21 oz

CHEMICALS

SPA CHEMICALS



CLEAR SPA

B

Balance The Water

SPA BALANCERS



Imperial No.	Part Number	Description
252013	CSTA002	Alkalinity, Cylinder - 12 x 2 lbs.
252014	CSCC002	Calcium, Cylinder - 12 x 2 lbs.
252010	CSLHQT12	pH Hold, Quarts - 12/CS

SPA ADJUSTERS



Imperial No.	Part Number	Description
252011	CSSA002	pH Plus, Cylinder - 12 x 2 lbs.
252012	CSSB003	pH Minus, Cylinder - 12 x 3 lbs.

S

Sanitize

SANITIZE

BROMINATION



Clear Spa 104 Bromo Boost Packets are a convenient 2 oz. granular sodium bromide additive. These packets should be used each time the spa is drained and refilled to quickly establish a bromine bank in the water. Starting the spa or hot tub with Bromo Boost will increase the effectiveness of the Bromo Bright Tablets and maintain the water quality.

Imperial No.	Part Number	Description
252000	CSS0002Z	Bromo Boost, Packets - 12 x 2 oz.
252004	CSBR015	Bromo Bright Tablets, Cylinder - 12 x 1.5 lbs.

CHLORINATING GRANULES



Clear Spa 104 Chlorinating Granules are a quick dissolving, pH neutral sanitizer that quickly raise chlorine sanitizer levels in spa and hot tub water. This product can be used daily as an effective sanitizer and/or weekly as an oxidizing shock. The product yields a 99% effective level and is produced from the finest grades of raw materials. Chlorinating Granules will not cloud the water.

Imperial No.	Part Number	Description
252006	CSDD002	Chlorinating Granules, Cylinder - 12 x 2 lbs.

SPA SELTZER



A quick dissolving seltzer tab containing mineral spring salts and bacteria fighting ingredients. Enhance your spa life with Japanese hot spa ingredients that give a soothing feel.

Imperial No.	Part Number	Description
252002	CSSS002	Spa Seltzer, Cylinder - 12 x 2 lbs.

CHEMICALS

SPA CHEMICALS



CLEAR SPA

O
Oxidize

OXIDIZE



Spas require periodic oxidizing or shocking to remove organic contaminants and non-filterable impurities. This relieves some of the demand on your sanitizing system and restores an inviting clear and sparkling body of water to the spa.

Imperial No.	Part Number	Description
252008	CSPM002	Crystal Shock, Cylinder - 12 x 2 lbs.

C
Control Algae and Minerals

CONTROL ALGAE & MINERALS



METAL GUARD

Clear Spa 104° Metal Guard chelates and coagulates minerals, making them large enough to be caught by the filtration system while removing them from the water. Clear Spa 104° Metal Guard also lowers the calcium levels of the spa while removing stains and scale from surfaces and equipment. Dosage Frequency: Weekly or as needed.

Imperial No.	Part Number	Description
252022	CSLMGPT12	Metal Guard, Pints - 12/CS

PM
Prevent Stains and Maintenance

PROBLEM SOLVERS & MAINTENANCE

NATURAL ENZYMES



Natural Enzymes searches out grease, lotion, pollen, body oil, and other foaming agents. It breaks these down and removes them from the spa water so they will not clog the filter. Dosage Frequency: Weekly or as needed.

Imperial No.	Part Number	Description
252016	CSLNEPT12	Natural Enzymes, Pints - 12/CS

SPA PHOS

104° Spa Phos removes phosphates from the water to eliminate the algae food source. Dosage Frequency: As needed.



Imperial No.	Part Number	Description
252017	CSLPBPT12	Spa Phos, Pints - 12/CS

JET BLAST

Clear Spa 104° Jet Blast is a professional grade debris flushing product used to remove unwanted particles such as oils, grime, sand, leaves and other organic matter that may clog your spa jets. Clear Spa 104° Jet Blast keeps jet pressure strong, extends the life of your motor and keeps your spa sparkling clean. Frequency: Apply during drain and refill intervals or as needed.



Imperial No.	Part Number	Description
252019	CSLJBPT12	Jet Blast, Pints - 12/CS

CHEMICALS

SPA CHEMICALS



CLEAR SPA

PM

PROBLEM SOLVERS & MAINTENANCE

NO FOAM

Clear Spa 104° No Foam is an instant reactive agent that dissipates foam caused by detergent, oils, and lotions.



Imperial No.	Part Number	Description
252020	CSLNFT12	No Foam, Pints - 12/CS

CRYSTAL BRITE

Clear Spa 104° Crystal Brite is a non-staining, non-foaming product that will bind microscopic particles together so that they are large enough to be trapped by your filtration system.



Imperial No.	Part Number	Description
252021	CSLCBPT12	Crystal Brite, Pints - 12/CS

SURFACE CLEANER

Use Clear Spa 104° Surface Cleaner to clean the spa's interior surface waterline and aid in preventing build-up.



Imperial No.	Part Number	Description
252015	CSLSCT12	Surface Cleaner, Pints - 12/CS

CARTRIDGE CLEANER

Use Clear Spa 104° Cartridge Cleaner to keep the spa filters operating at peak performance and extend cartridge life.



Imperial No.	Part Number	Description
252018	CSLCCPT12	Cartridge Cleaner, Pints - 12/CS



B
Balance
The Water

NATURAL CHEMISTRY SPA LINE

SPA BALANCERS

A special blend of mineral borates enhance water quality for ultimate bather comfort. Spa Balancers establish softer feeling, and crystal clear water right away.



Imperial No.	Part Number	Description
NC04204	14204NCM	Alkalinity Increaser 12 x 2.71 lbs
NC04205	14205NCM	Calcium Hardness Increaser 12 x 1.83 lbs.

CHEMICALS

SPA CHEMICALS



NATURAL CHEMISTRY SPA LINE

A

Adjust the
PH level

SPA ADJUSTERS

The necessary water adjustment and balance control products. Proper water balance is important for all spa water to ensure bather comfort and water clarity.



Imperial No.	Part Number	Description
NC04202	14202NCM	pH Up 12 x 2.49 lbs
NC04203	14203NCM	pH Down 12 x 3.37 lbs

S

Sanitize

SPA SANITIZERS

Proper sanitization is required to control bacteria in spa water. These products provide the benefits of using either bromine or chlorine based sanitizing chemicals. New One Step sanitizer and oxidizer.



Imperial No.	Part Number	Description
NC04209	14229NCM	Bromine Tabs 12 x 1.54 lbs
NC04210	14220NCM	Bromine Tabs 6 x 4 lbs
NC04221NCM	14221NCM	Chlorine Concentrate 12 x 2.05 lbs
NC14223NCM	14223NCM	Chlorine Concentrate 6 x 5 lbs
NC04214	14224NCM	One Step Brominating Concentrate - 2.05 lb. Bottle (12/CS)

O

Oxidize

SPA OXIDIZERS

Spa Oxidizing shock is a non-chlorine oxidizing shock used to eliminate soluble organic waste and contaminants.



Imperial No.	Part Number	Description
NC04206	14206NCM	Spa Oxidizing Shock 12 x 3.15 lbs
NC04207	14207NCM	Spa Oxidizing Shock 6 x 7 lbs

C

Control Algae
and Minerals

STAIN AND SCALE CONTROL

Protects spa from damage due to scale build-up.



Imperial No.	Part Number	Description
NC14235NCM	14235NCM	Stain & Scale Control 12 x 32 oz

PM

Prevent, Remove
and Maintain

PROBLEM SOLVERS & MAINTENANCE

CLARIFY

All natural spa clarifier. Clears cloudy water quickly. Cannot be overdosed!



Imperial No.	Part Number	Description
NC04215	14215NCM	Clarify 12 x 33.9 oz

CHEMICALS

SPA CHEMICALS



NATURAL CHEMISTRY SPA LINE



PROBLEM SOLVERS & MAINTENANCE

SPA PERFECT



Powerful natural enzymes formulated for spas.

Imperial No.	Part Number	Description
145841	14034NCM	Spa Perfect - 6 x 2 L
NC04021	14021NCM	Spa Perfect - 12x16 oz

SPA DEFOAMER



Specifically formulated for hot water.

Imperial No.	Part Number	Description
NC04212	14212NCM	Spa Defoamer 12 x 33.9 oz

CLEAN & PERFECT



Excellent multi-surface cleaner, works amazingly on spa surfaces.

Imperial No.	Part Number	Description
145842	10176NCM	Clean & Perfect 12 x 24 oz.

PIPE CLEANSE



Purges spa and spa plumbing of organic waste build-up. Cleans where you can't!

Imperial No.	Part Number	Description
NC04237	14237NCM	Pipe Cleanse 12 x 33.9 oz



LEISURE TIME



SPA BALANCERS



Imperial No.	Part Number	Description
LTALK	ALK	Alkalinity Increaser 12x2 lb. bttls/cs
LTCB	CB	Calcium Booster 12 x 1 qt. bttls/cs
LTPHB	PHB	pH Balance 12x1 qt. bttls/cs
LT45410	45410A	pH Balance Plus 6x3 lb. bttls/cs

CHEMICALS

SPA CHEMICALS



LEISURE TIME

A
Adjust the
PH level

SPA ADJUSTERS



Imperial No.	Part Number	Description
LT22338	22338A	Spa Down 12x2.5 lb. btfls/cs
LT22339	22339A	Spa Up 12x2 lb. btfls/cs

S
Sanitize

SANITIZE

SPA 56 CHLORINATING GRANULES

Specifically formulated for spas and hot tubs. This concentrated granular chlorine effectively sanitizes and disinfects hot water to keep it clean and clear.



Imperial No.	Part Number	Description
LT22337	22337A	Spa 56 Chlorinating Granules 12x2 lb. btfls/cs
LTE5	E5	Spa 56 Chlorinating Granules 6x5 lb. btfls/cs

SODIUM BROMIDE

Sodium Bromide creates a bromide reserve when using Brom Tabs to ensure a fully bromine-based sanitizer system.



Imperial No.	Part Number	Description
LTBE	BE	Sodium Bromide 2 oz x 6 pouches x 16 boxes
LTBE1	BE1#	Sodium Bromide 12x1 lb. btfls/cs

BROM TABS

Brom Tabs are low odor, low dust tablets that fit in all feeders and maintain a constant level of bromine. Unique chemistry provides bromine residual quickly.



Imperial No.	Part Number	Description
LT45430	45430A	Brom Tablets 6x4 lb. btfls/cs
LT45422A	45422A	Brom Tablets 12x1.5 lb. btfls/cs

O
Oxidize

OXIDIZE

OZ CHLORINE FREE TABS

Quick dissolve tablets rid spas of oils, lotions, and organic contaminants with unique effervescent action. Works in both bromine and chlorine sanitized spas.



Imperial No.	Part Number	Description
LTOZ2	45305A	OZ Shock Tablets 12x1.75 lbs. btfls/cs

CHEMICALS

SPA CHEMICALS



LEISURE TIME

O
Oxidize

OXIDIZE

RESERVE & RENEW NON CHLORINE

When used together, Reserve and Renew form a complete chlorine-free sanitizing system that's simple and hassle-free. Reserve and Renew requires only a simple application after using the spa.



Imperial No.	Part Number	Description
LT45300	45300A	Reserve 12x1 qt bttls/cs
LTRENU2	RENU2	Renew 12 x 2.2 lbs bttls/cs
LTRENU5	RENU5	Renew 6 x 5 lbs. bttls/cs

C
Control Algae and Minerals

CONTROL ALGAE & MINERALS

METAL GON

Conveniently packaged, this powerful duo will prevent scale buildup and staining of surfaces.



Imperial No.	Part Number	Description
LT45440	45440A	Metal Gone & Defender 6x2 bttls/cs
LTD	D	Metal Gon 12x1 pt bttls/cs

DEFENDER

An exclusive formula developed to prevent scale formation. Use weekly for continued protection.



Imperial No.	Part Number	Description
LTB	B	Defender 12x1 qts. bttls/cs

PM
Problem Solvers and Maintenance

PROBLEM SOLVERS & MAINTENANCE



Imperial No.	Part Number	Description
LTA	A	Bright & Clear 12x1 qt bttls/cs
LT3192	3192A	Cover Care & Conditioner 12x1 pt.bttls/cs
LTSGQ	SGQ	Enzyme 12x1 qt bttls/cs
LTP	P	Fast Gloss 12x1 pt.bttls/cs
LTN	N	Filter Clean 12x1 pt. bttls/cs
LTO	O	Filter Clean 12x1 qt.bttls/cs
LTH	H	Foam Down 12x1 pt bttls/cs
LTH1	H1	Foam Down 4x1 Gallon bttls/cs
LTHQ	HQ	Foam Down 12x1 qts bttls/cs
LTS	S	Instant Cartridge Clean 12x1 pt.bttls/cs
LT45450	45450A	Jet Clean 12x1 pt bttls/cs

CHEMICALS

SPA CHEMICALS



LEISURE TIME BIGUANIDE PRODUCTS

B Balance the Water

SPA BALANCERS



Imperial No.	Part Number	Description
LTALK	ALK	Alkalinity Increaser 12x2 lb. bttls/cs
LTCB	CB	Calcium Booster 12 x 1 qt. bttls/cs
LT45410	45410A	pH Balance Plus 6x3 lb. bttls/cs

A Adjust the pH level

SPA ADJUSTERS



Imperial No.	Part Number	Description
LT22338	22338A	Spa Down 12x2.5 lb. bttls/cs
LT22339	22339A	Spa Up 12x2 lb. bttls/cs

C Control Algae and Minerals

CONTROL ALGAE & MINERALS

METAL GON

Concentrated formula sequesters iron, copper, and other minerals to prevent staining of surfaces.



Imperial No.	Part Number	Description
LT45440	45440A	Metal Gone & Defender 6x2 bttls/cs
LTD	D	Metal Gon 12x1 pt bttls/cs

DEFENDER

An exclusive formula developed to prevent scale formation. Use weekly for continued protection.



Imperial No.	Part Number	Description
LTB	B	Defender 12x1 qts. bttls/cs

PM Prevention, Cleaning and Maintenance

PROBLEM SOLVERS & MAINTENANCE



Imperial No.	Part Number	Description
LTA	A	Bright & Clear 12x1 qt bttls/cs
LT3192	3192A	Cover Care & Conditioner 12x1 pt. bttls/cs
LTSGQ	SGQ	Enzyme 12x1 qt bttls/cs
LTP	P	Fast Gloss 12x1 pt. bttls/cs
LTH	H	Foam Down 12x1 pt bttls/cs
LTH1	H1	Foam Down 4x1 Gallon bttls/cs
LTHQ	HQ	Foam Down 12x1 qts bttls/cs
LTS	S	Instant Cartridge Clean 12x1 pt. bttls/cs
LT45450	45450A	Jet Clean 12x1 pt bttls/cs

CHEMICALS

SPA CHEMICALS

FROG

@EASE FLOATING SYSTEM



	Imperial No.	Part Number	Description
	KI01143256	01-14-3256	Ease floating sanitizing system
	KI01143258	01-14-3258	Ease chlorinator cartridge - 3 pk
Limited Qty Avail	145076	01-14-6012	Jump Start Shock (12 PACK)

SPA FROG



	Imperial No.	Part Number	Description
	145071	01-14-3883	Frog Serene Floating System. (Was Spa Frog Floating System).
	145072	01-14-3824	Frog Serene Bromine Cartridge. (Was Spa Frog Bromine Cartridge).
	145075	01-14-3812	Frog Serene Mineral Cartridge. (Was Spa Frog Mineral Cartridge).
Limited Qty Avail	145076	01-14-6012	Jump Start Shock (12 PACK)
	145086	01-14-3712	Frog Filter Mate - Mineral purifier for spas. (Was Filter Frog).

SANITIZING SYSTEMS

SALT SYSTEMS

GOLDLINE

AQUA RITE CELLS



Imperial No.	Part Number	Description
141413	TCELL940	
HAYTCELL3	T-CELL-3	15,000 gallon Turbo Cell
HAYTCELL9	W3T-CELL-9	25,000 gallon Turbo Cell

AQUA RITE SYSTEMS

AquaRite System generates its own chlorine from a small amount of ordinary table salt.

Features Include:

- Microprocessor based electrolytic chlorine generator.
- Selectable automatic super chlorinate function.
- Digital salt level display & 8 diagnostic LED's.
- Exclusive Turbo Cell with quick connection to control.
- Aqua Link Interface for remote control & monitoring.



	Imperial No.	Part Number	Description
	AQTROLHPTL	AQ-TROL-HP-TL	Aqua Trol generator for above ground pools
	AQTROLRJTL	AQ-TROL-RJ-TL	Aqua Trol Chlorine Generator
Trade Grade	HAYAQR925	AQR925	AQUA RITE 900 WITH 25,000 GAL CELL
Trade Grade	HAYAQR940	AQR940	AQUA RITE 900 WITH 40,000 GAL CELL
	141192	AQR3	AQUA RITE WITH 15,000 GAL CELL
	141191	AQR9	AQUA RITE WITH 25,000 GAL CELL
	141190	AQR15	AQUA RITE WITH 40,000 GAL CELL

PLUMBING KIT

Imperial No.	Part Number	Description
141175	P-KIT	P-Kit Flow Switch & Unions



CHEMICALS

SANITIZING SYSTEMS

SALT SYSTEMS

HAYWARD SALT & SWIM



Do-It-Yourself Salt Chlorination for In-Ground Pools

- Simple, Fast, Do-It-Yourself installation
- For residential in-ground pools up to 30,000 gallons
- Super Chlorinate function

Imperial No.	Part Number	Description
141173	DIY-POLYPIPE	Salt & Swim Adaptor Kit for polypipe
141176	SAS	SAS Salt And Swim 3C Control Unit
141184	W3SAS-CELL	Salt And Swim Salt Cell 30K I/G

PENTAIR INTELLICHLOR



IntelliChlor Salt Chlorinator uses common table salt to produce all the chlorine a pool needs, safely, effectively, and automatically. IntelliChlor has the same sanitation performance as manual chlorine addition without the drawbacks. No need for customers to buy, transport, and store chlorine compounds.

	Imperial No.	Part Number	Description
Trade Grade	PF523080	523080	Intellichlor 15 Power Pack Bundle
Trade Grade	PF523081	523081	Intellichlor IC30 Power Center
	PF520888	520888	Intellichlor IC15 Cell [up to 15,000 gallons] includes power supply
	PF520554	520554	IntelliChlor IC20 Cell (up to 20,000 gallons)
	PF520555	520555	IntelliChlor IC40 Cell (up to 40,000 gallons)
	PF520556	520556	IntelliChlor Power Center

ZINC ANODES



Imperial No.	Part Number	Description
PT104D	104D	2" Inline Zinc Anode for New Installs
PT104C-1	104C-1	1 1/2" Inline Saddle Clamp Zinc Anode
PT104RKIT	104R-KIT	Inline Zinc Anode Replacement Kit Includes: Anode, Bolt, Cap & O-ring for PT104D
CMP25810350050	25810-350-050	2" Pool Defender Without Copper Wire
PCTNIL20	TN-IL-20	2" Inline Zinc Anode [permacast] comes w/1 1/2" Reducers
PCTN200	TN-200	Replacement Zinc for PCTNIL20
PT104F	104F	Pool Light Zinc Anode
INFANODE	ANODE	Zinc Anode for Rail Goods

ZODIAC



Imperial No.	Part Number	Description
ZODFUSIONM	FUSIONM	Fusion Soft Power Pack
ZODTRUCLEAR11K	TRUCLEAR11K	Trueclear Salt Chlorinator Kit
ZODTRUCLEAR11KU	TRUCLEAR11KU	Salt System up to 35,000 gal.
JAPLC700	PLC700	Cell Kit Pools up to 12,000 gal. 16ft cables
JAPLC1400	PLC1400	Cell Kit Pools up to 40,000 gal. 16ft cables
ZODFSOFT700	FSOFT700	Cell and Nature2 Vessel Kit up to 12,000 gal.
ZODFSOFT1400	FSOFT1400	Cell and Nature2 Vessel Kit up to 40,000 gal.
ZODAPUREM	APUREM	AquaPure Power Pack, Foundation Power Center

WAVE SYSTEMS



Imperial No.	Part Number	Description
141291	52000-121-010	Saltwater Chlorinator Up To 20,000 Gallons
141491	52000-141-010 PRIVATE LABEL	Saltwater Chlorinator Up To 40,000 Gallons

CHEMICALS

SANITIZING SYSTEMS

UV & OZONE UNITS

PROZONE ECO MASTER



The patented Eco Master system combines state-of-the-art Germicidal UV-C with Hybrid Ozone and Hydroxyls all in one compact system. Better than UV-C sterilization or ozone alone, the system creates Advanced Oxidation Processing (AOP) inside the system, 1000s of times more powerful than chlorine, destroying organic contaminants and breaking down chloramines, making it as clean as pure drinking water. Universal voltage, full 2 year warranty.

Imperial No.	Part Number	Description
145996	E23RE-08IA-P71	Prozone Eco Master

HAYWARD HYDRORITE UV03



Imperial No.	Part Number	Description
HYDUVO	HYD-UVO	UV and Ozone Sanitizing System Up To 60,000 Gallons

DELAOP 25



Imperial No.	Part Number	Description
DELAOP25	SEC-50-01	Treats Up To 25,000, 20 gpm Max Flow Rate

ULTRAVIOLET

DELTA



The ElektraR UV pool water sanitizing system automatically does the work of killing bacteria and microorganisms in the pool water through Ultraviolet light technology, now you can reduce your dependency on expensive chlorine and Bromine by 70-85% and enjoy the automatic maintenance of healthy, sanitized water in your pool.

Imperial No.	Part Number	Description
149091	1000-2285	Ultraviolet Sanitizer E-20[UP TO 79,200 GALLONS based on 12 HR turnover]
149092	1000-2287	Ultraviolet Sanitizer E-40[UP TO 89,280 GALLONS based on 12 HR turnover]

PENTAIR



	Imperial No.	Part Number	Description
Trade Grade	PF522637	522637	Bioshield UV sanitizer 62 gpm
Trade Grade	PF522945	522945	Bioshield UV Sanitizer 90 gpm

DEL UV-C50



Imperial No.	Description
DELEUV0101	Treats Up To 50,000 Gallons, 100 gpm

CHEMICALS

CHEMICAL FEEDERS

HAYWARD



Imperial No.	Part Number	Description
141281	CL110ABG	Off-Line Chlorine Feeder.
141282	CL100	In-Line Chlorine Feeder (4.2 lb. Capacity)
141283	CL200	In-Line Chlorine Feeder. (9 lb. Capacity)
141284	CL220	Off-Line Chlorine Feeder. (9 lb. Capacity)
141285	CL220BR	Off-Line Bromine Feeder
141286	SP1500UNPAK2	Union Connector Assembly
141287	SP1500UNMPAK1	1 1/2" mpt. Flush Union Connector with 1 1/2" Male Nipple. For mounting In-Line Chlorine Feeder.

ESSENTIAL ELEMENTS



Imperial No.	Part Number	Description
EE0168	B8013	Off-Line Chlorinator w/ flow control valve
EE0169	BC0169	In-Line Chlorinator w/ flow control valve

CUSTOM MOLDED PRODUCTS



Imperial No.	Part Number	Description
CMP25280100000	25280-100-000	Powerclean Tab Ultra In-Line Chlorinator
CMP25280107100	25280-107-100	Powerclean VS Conversion Kit
CMP25280300000	25280-300-000	Powerclean Tab Ultra Off-Line Chlorinator



AN INNOVATION OF KING TECHNOLOGY

**60% OF YOUR BODY
IS MADE OF WATER.
SO IS 100%
OF YOUR
BUSINESS.**

KEEP YOUR CUSTOMERS COMING
BACK BY CARRYING FROG
POOL & HOT TUB SANITIZERS

frogproducts.com • 800.222.0169



Pool FROG®



FROG @ease®

- All FROG products feature Fresh Mineral Water® for cleaner, clearer water with significantly less chlorine
- Everything is prefilled for quick and hassle-free care
- Kills bacteria with a one-two punch: minerals and low levels of chlorine
- Minerals keep water pH balanced so it looks and feels better

Supported by the FROG Water Care App
Enforced Minimum Advertised Price (MAP) Policy
Quality & innovation that performs + Interactive training & free POP materials



+ REWARDS
Buy•Earn•Get

OREQ
pool&spa

Professional Quality Tools, Chemicals, and Features

800.420.3255
www.oreqcorp.com

ANIMAL
by poolpals
Stinger
by poolpals



Scent-Trific
THE CHLORINE PLUS TAB



ClearSpa^{104°}
SPA SOLUTIONS

fire designs
Custom Cascade

CHEMICALS

CHEMICAL FEEDERS



KING TECHNOLOGY

FLIPPIN FROG



Imperial No.	Part Number	Description
KI01038356	01-03-8356	Flippin Frog Replacement Chlorine Cartridge - Sold as EACH (Case of 12)
KI01128406	01-12-8406	Flippin Frog Pop-Up Sanitizer for Pop-Up Pools from 2,000 - 5,000 Gallons - Sold as EACH (Case of 12)
KI01128606	01-12-8606	Flippin Frog XL Pop-Up Sanitizer for Pools from 5,000 - 10,000 Gallons - Sold as EACH (Case of 6)
KI01038550	01-03-8550	Flippin Frog XL Replacement Chlorine Cartridge - Sold as EACH (Case of 8)

FROG - FRESH WATER OXY GENERATOR POOL UNITS



Imperial No.	Part Number	Description
145073	01-10-5060	FROG BAM Algaecide. Guarantees 90 days of algae-free water. Cartridge to be used in either 5100 or 5400 FROG unit. Case of 12
145082	01-12-6112	Replacement Mineral Reservoir For 5100 Cyclor. Prefilled with minerals for 6 months of continuous water purification
145083	01-12-5462	Replacement Mineral Reservoir For 5400 Cyclor. Prefilled with minerals for 6 months of continuous water purification
145084	01-03-5880	Frog Bac Pac - Low Chlorine Pac - fits both 5100 and 5400 FROG cyclers - Case of 12
145087	01-01-6180	Above Ground Package - Includes cyclor, mineral reservoir, and installation kit. 1 1/2" Inline, Bac Pak sold separately
145088	01-01-5480	Inground Package - Includes cyclor, mineral reservoir, and installation kit. 2" Inline, Bac Pak sold separately
KI01015450	01-01-5450	XL PRO-Includes 2 cyclers, mineral reservoir, and installation kit. 2" inline, Bac Pak sold separately

PERFORM MAX IN-LINE CHLORINATORS



Perform-Max In-Line Feeders for Above Ground Pools

Imperial No.	Part Number	Description
KI01050940	01-05-0940	Model 940 Inline Inground Chlorinator

THE NEW WATER CYCLER SYSTEM



Imperial No.	Part Number	Description
145060	01-01-0120	Cyclor (above ground or smaller inground pools up to 18,000 gallons) Inline, 1 1/2" ports
145063	01-01-0400	Cyclor (Larger inground pools up to 40,000 gallons) Inline, 2" ports
145064	01-01-0430	Cyclor (Larger inground pools up to 40,000 gallons) Offline
145067	01-03-4613	407C3 7 lb. Cyclor Pacs (Fits #400 and #430 Cyclor) Case of 3
145068	01-03-1413	105C3 5 lb. Cyclor Pacs (Fits #100 and #130 Cyclors) Case of 3

NATURE 2

NATURAL WATER PURIFIER



Imperial No.	Part Number	Description
145575	W20750	Nature 2 Spa Stick - improve water quality, sanitizer - drops inside filter - works with Bromine, Chlorine - each - 12/cs
145582	W25904	Nature2 Professional G Sanitizer Vessel - In-ground Pools - requires "G" mineral cartridge, sold separately. See cartridge below
145589	W20086	Nature2 "Express" - sanitizer vessel & cartridge for In-ground pools. 6/cs
145599	W20176	Nature2 "Express" - sanitizer vessel & cartridge for Above Ground pools. 6/cs

CHEMICALS

CHEMICAL FEEDERS

NATURE 2

REPLACEMENT CARTRIDGES



Imperial No.	Part Number	Description
145570	W28165	"A" Style Repl Cartridge - for Above Ground pools up to 30,000 - each- 4/cs
145571	W28125	"G" Style - G25 Cartridge - for pools up to 25,000 gallons - each - 4/cs
145572	W28135	"G" Style - G35 Cartridge - for pools up to 35,000 gallons - each - 4/cs
145573	W28145	"G" Style - G45 Cartridge - for pools up to 45,000 gallons - each - 4/cs
145574	W28155	"M" Style- M25 Cartridge- for pools up to 25,000 gallons - each - 4/cs
145576	W29500	CF "Cartridge Filter" Style Cartridges for pools up to 25,000 - ea 6/cs
145579	W28175	"Express" Style Cartridge - up to 25,000 - each 12/cs

RAINBOW



Imperial No.	Part Number	Description
149399	R171096	320 2" with 1 1/2" Adapters

ADVANTIS

CAL HYPO TAB FEEDER SYSTEM



Imperial No.	Part Number	Description
ADCCHN	79531	Tab feeder system
AD23220	23220	Cal Hypo tabs, 2 5/8", 50 lbs

CCH ENDURANCE TAB FEEDER SYSTEM

Imperial No.	Part Number	Description
AD73100	73100	CCH Endurance Tab Feeder System
AD23227	23227	25 lb Tabs for CCH Endurance Tab Feeder System



The Future of Water Testing

- Pool Operators
- Service Technicians
- Retail Professionals

No matter where you test water, LaMotte is always on the cutting edge of making your job easier. From our new, state-of-the-art WaterLink® SpinTouch® to our tried-and-true Insta-TEST® strips, ColorQ 2X photometer and test kits, we always have you in mind. Our Research & Development team is constantly working to improve and create new, innovative water analysis testing products to help improve your business, with quick, easy-to-use and accurate water testing products.



Go to www.lamotte.com/pool to sign up for the FREE Dealer Locator!



Water Testing Leader since 1919!

800-344-3100
www.lamotte.com/pool



THE ELEMENTS CHEMICAL BRAND NOW
INCLUDES A FULL LINE OF:

Hello AND *Good-Bye*

**PROBLEM SOLVER AND
MAINTENANCE PRODUCTS**

Available only through Imperial Pools Distribution
Ask your Imperial Rep or Local Branch for details.

MAD
moneyTM
MANUFACTURING AND DISTRIBUTION CASH BACK

Get Cash Back
on everything you buy from Imperial
Manufacturing and Distribution



PM

Problem Solvers
and Maintenance

PROBLEM SOLVERS



Imperial
POOLS INC.
REDEFINING ONE SOURCE

33 Wade Road, Latham, New York 12110
www.imperialpools.com | 800-444-9977



CHEMICALS

TESTING SUPPLIES

PROFESSIONAL WATER TESTING

LAMOTTE SPIN LABS



Imperial No.	Part Number	Description
L3580	3580	Waterlink Spin Touch Lab - no software
L3581	3581	Mobile Waterlink w/ Carry Case

LAMOTTE SPIN DISKS



Imperial No.	Part Number	Description
L4334H	4334-H	Chlorine / Bromine / PH
L1703	1703	Spin Lab Calibration disk
L4328H	4328-H	Chlorine / Bromine Spin Disk (No Borates) - Box of 50 Disks
L4329H	4329-H	Chlorine/Bromine with Phosphate Disk
L4331H	4331-H	Biguanide Reagent Disc - Box of 50

TAYLOR



Imperial No.	Part Number	Description
K2005C	K-2005C-8	Complete Test Kit
K2006C	K-2006C-8	Complete Chlorine Test Kit

FOIL WRAPPED TEST STRIPS



Imperial No.	Part Number	Description
S1303	S-1303	3 Way Test Strips 30 ct / bottle
S1309	S-1309	4 Way Test Strips 30 / bottle
S1316	S-1316	Test Strips,6-Way(Slide/App),30 Ct

LIQUID REAGENTS



Imperial No.	Part Number	Description
K1000	K-1000-12	Res Basic Kit(Classic),Ot(Hi)
K1001	K-1001-12	Res Basic Kit(Classic),Dpd(Hi)
K1004	K-1004-6	Res Trbl-Sh Kit(Classic),Dpd(Hi)
K1005	K-1005-4	Res I-Care Kit(Classic),Dpd(Hi)

REPLACEMENT REAGENTS



Imperial No.	Part Number	Description
R0001A	R-0001-A-24	Dpd Rgt #1,.75 Oz,Db
R0001C	R-0001-C-12	Dpd Rgt #1,2 Oz,Db
R0002A	R-0002-A-24	Dpd Rgt #2,.75 Oz,Db
R0002C	R-0002-C-12	Dpd Rgt #2,2 Oz,Db
R0003A	R-0003-A-24	Dpd Rgt #3,.75 Oz,Db
R0003C	R-0003-C-12	Dpd Rgt #3,2 Oz,Db
R0004C	R-0004-C-12	Ph Ind Sol(2000 Series),2 Oz,Db
R0005C	R-0005-C-12	Acid Demand Rgt(2000 Series),2 Oz,Db
R0006C	R-0006-C-12	Base Demand Rgt(2000 Series),2 Oz,Db
R0007A	R-0007-A-24	Thiosulfate N/10,.75 Oz,Db
R0007C	R-0007-C-12	Thiosulfate N/10,2 Oz,Db
R0008A	R-0008-A-24	Total Alkalinity Ind,.75 Oz,Db
R0008C	R-0008-C-12	Total Alkalinity Ind,2 Oz,Db
R0009A	R-0009-A-24	Sulfuric Acid .12N,P/S,.75 Oz,Db
R0009C	R-0009-C-12	Sulfuric Acid .12N,P/S,2 Oz,Db
R0010A	R-0010-A-24	Calcium Buff(2000 Series),.75 Oz,Db

CHEMICALS

TESTING SUPPLIES

PROFESSIONAL WATER TESTING

TAYLOR

REPLACEMENT REAGENTS

Imperial No.	Part Number	Description
R0010C	R-0010-C-12	Calcium Buff(2000 Series),2 Oz,Db
R0011LA	R-0011L-A-24	Calcium Ind Liq.,.75 Oz,Db
R0011LC	R-0011L-C-12	Calcium Ind Liq,2 Oz,Db
R0012A	R-0012-A-24	Hardness Rgt.,.75 Oz,Db
R0012C	R-0012-C-12	Hardness Rgt,2 Oz,Db
R0013A	R-0013-A-24	Cyanuric Acid Rgt.,.75 Oz,Dt
R0013C	R-0013-C-12	Cyanuric Acid Rgt,2 Oz,Dt
R0014A	R-0014-A-24	Ph Ind Sol(Res Series),.75 Oz,Db
R0015A	R-0015-A-24	Acid Demand Rgt(Res Series),.75 Oz,Db
R0016A	R-0016-A-24	Base Demand Rgt(Res Series),.75 Oz,Db
R0600A	R-0600-A-DB-24	Orthotolidine,.75 Oz
R0870I	R-0870-I-12	Dpd Pdr,10 G
R0871C	R-0871-C-12	FAS-DPD Titrating Reagent (for Chlorine), 2 oz Dropper Bottle

TEST KITS

LAMOTTE



Imperial No.	Part Number	Description
LR2056	R-2056	LaMotte Color Q Pro Refill Kit
L2056	2056	LaMotte-ColorQ Pro7 Test kit - Free Chlorine, Total Chlorine, Bromine, PH, Alkalinity, Calcium Hardness & Cyanuric Acid
L2058	2058	LaMotte-ColorQ Pro 11 - Free Chlorine, Total Chlorine, Bromine, PH, Alkalinity, Calcium Hardness, Cyanuric Acid, Iron, Copper, Biguanide & Biguanide Shock.
L2072	2072	ColorQ PRO 6 Photometer Kit - 100 Tablets Included

RAINBOW



Imperial No.	Part Number	Description
149628	R151186	Rainbow - All In One Test Kit (Chlorine, PH, Acid Demand and Total Alkalinity.) CTN 12
149629	R151196	Rainbow - Bromine-PH Test Kit
149630	R151226	Rainbow - Cyanuric Acid Test Kit/CTN 12
149631	R151246	Rainbow - All In One Test Kit (DPD Free Chlorine, Total and Combined Chlorine, Total Alkalinity, PH and Acid Demand/CTN 12
149632	R151276	Rainbow - Water Hardness Test Kit

NATURAL CHEMISTRY



Imperial No.	Part Number	Description
145849	10081NCM	Phosphate Test Kit

ESSENTIAL ELEMENTS



Imperial No.	Part Number	Description
145162	195010EE	Test Kit - PH / Chlorine

CHEMICALS

TESTING SUPPLIES

TEST REAGENTS

1/2 OZ. BOTTLE



Imperial No.	Part Number	Description
RB161004	R161004	1/2 oz. OTO / CTN 48
RB161018	R161018	1/2 oz. PH / CTN 48
149642	R161204	1/2 oz. SOL #4- (Chlorine Neutralizer) Replaces Solution "1"
149641	R161203	1/2 oz. SOL #5- (Total Alkalinity Test) Replaces SOL "D"
149643	R161634	1/2 oz. SOL #6- (Water Hardness Test)
149644	R161642	1/2 oz. SOL #7- (Water Hardness)

1 OZ. BOTTLE



Imperial No.	Part Number	Description
149633	R161160	1 oz. OTO/PH - Carded
149638	R161025	1 oz. SOL #1 - (CL-BrTest) Replaces Solution "A"
149639	R161178	1 oz. SOL #2 - (PH Test) Replaces Solution "B"
149640	R161185	1 oz. SOL #3- (Acid Demand, Total Alkalinity) Replaces SOL "C"

32 OZ. BOTTLE



Imperial No.	Part Number	Description
149648	R161616	32 oz. Cyanuric Acid

DPD TABLETS



Imperial No.	Part Number	Description
149646	6999A-M	DPD #1 Tablet Rapid Dissolve Chlorine
149647	6905A-M	DPD #3 Tablet Rapid Dissolve Chlorine

UDV



Imperial No.	Part Number	Description
L4309J	4309-J	Hardness
L4310J	4310-J	PH, Phenol Red
L4311J	4311-J	Free Chlorine
L4312J	4312-J	Total Chlorine
L4313J	4313-J	Cyanuric Acid
L4314J	4314-J	Copper
L4315J	4315-J	Iron
L4318J	4318-J	Total Alkalinity

TEST STRIPS

LAMOTTE



Imperial No.	Part Number	Description
149649	3032-96	Lamotte 4 Way Test Strip - Test Free Chlorine, Alkalinity, PH & Cyanuric Acid - blister pack 12 50 ct / bottle
149650	3029-12	Lamotte 4 Way Test Strip - Test Bromine, Alkalinity, PH & Total Hardness - blister pack 12 50 ct / bottle
149651	3028-J-6	Lamotte 7 Way Test Strip - Test Total & Free Chlorine, Bromine, Alkalinity, PH, Cyanuric Acid & Total Hardness. 6/cs - 100/bottle
149961	2998-12	Lamotte Salt / Sodium Chloride Test Strip - blister pack 12 10 ct / bottle
149963	2991-G-12	Lamotte Copper Test Strips - 12 cs - 25 ct / bottle
L2935G12	2935-G-12	Iron Test Strips - 25 Strips/Bottle (12 Bttls./CS)

CHEMICALS

TESTING SUPPLIES

TEST STRIPS

LAMOTTE

Imperial No.	Part Number	Description
L293812	2938-12	Biguanide, Alkalinity & pH Test Strips - 25 Strips/Bottle (12 Bttls./CS)
L297612	2976-12	Lamotte Insta-Test 3 Plus - Test Free Chlorine, Bromine, Alkalinity & PH - blister pack 12 50 ct / bottle
L298212	2982-12	Monopersulfate Test Strips - 50 Strips/Bottle (12 Bttls./CS)
L3021H6	3021-H-6	PRO Phosphate Test Strips - 50 Strips/Bottle (6 Bttls./CS)
L3028BC12	3028-BC-12	Lamotte Insta-Test 6 Plus - Test Total & Free Chlorine, Bromine, Alkalinity, PH, Cyanuric Acid & Total Hardness - blister pack 12 50 ct / bottle

AQUACHEK



Imperial No.	Part Number	Description
ETS9531600E	9531600E	Pocket Pro Tester
149923	541604AAP	AquaChek Select Test Strip Kit with Reusable Comparator and Treatment Booklet Checks for Total Chlorine, Total Bromine, Free Chlorine, Total Hardness, Total Alkalinity, Cyanuric Acid, and PH. 50 ct / bottle
149967	561625A	AquaChek-Blue-teststrip checks for Biguanide (BacquaCil), Total Alkalinity, and PH. 25 ct / bottle
ETS2510400	2510400	AquaChek Tru Test Digital Test Strip Reader. Specifically designed for pool and spa owners, the True Test Digital Test Strip Reader combines the ease and accuracy of AquaChek test strips with advanced digital technology. / CTN 6
ETS511242A	511244A	Aquachek Yellow 4 Way Test Strip - Test Free Chlorine, Alkalinity, PH & Cyanuric Acid - blister pack 12 50 ct / bottle
ETS512082	512082	AquaChek Tru Test Replacement Test strips. 25 ct / bottle
ETS521252A	521252A	Aquachek Red 4 Way Test Strip - Test Bromine, Alkalinity, PH & Total Hardness - blister pack 12 50 ct / bottle
ETS541640	541640AAP	AquaChek Select Refill Kit. 50 ct / bottle
ETS551236	551236	Aquachek 7-Silver - Test Total & Free Chlorine, Bromine, Alkalinity, PH, Cyanuric Acid & Total Hardness - blister pack 12 100 ct / bottle
ETS561140A	561140A	AquaChek White - Salt Test Strip - 10 ct / bottle

FROG



Imperial No.	Part Number	Description
145074	01-14-3318	Frog Test Strips - Chlorine, Bromine, PH & Alkalinity 50 ct / bottle

NATURE 2



Imperial No.	Part Number	Description
145569	W29300	Nature 2 Spa Test Strips. Monosulfate - Nonchlorine levels, ph, Total Alkalinity, 50 ct / bottle

The perfect
tool for
uncertain times

Pool Perfect® MAX
#15301NCM



Sanitize then MAXimize!

**No matter what sanitizer you use,
Pool Perfect® MAX will improve its efficiency**

The enzymes in this formula break down non-living waste that is typically oxidized by higher levels of chlorine or a non-chlorine oxidizer. Pool Perfect MAX goes to work on those nuisance contaminants while also removing problem-causing phosphate to create sparkling clear water.



**NATURAL
CHEMISTRY**

naturalchemistry.com



MORE POWER. MORE POSSIBILITIES.



DUAL VOLTAGE (115V/230V)



TWO AUXILIARY RELAYS TO CONTROL
ADDITIONAL POOL EQUIPMENT



UP TO A 20% IMPROVEMENT IN HYDRAULIC
PERFORMANCE FROM THE PREVIOUS GENERATION*



Built Small. Built Strong. Built Jandy.

Engineered with an advanced NEW motor design that enhances power and efficiency, the VS FloPro 1.85 HP and 2.7 HP models also come with advanced features for hassle-free installation.

LEARN MORE AT JANDY.COM

VS FLOPRO™
VARIABLE-SPEED PUMP

*Hydraulic Horsepower of VSFHP270DV2A model compared to VSFHP270AUT / VSFHP270JEP models as measured on system curve C at 3450 RPM.

CONSTRUCTION

PLUMBING

PIPE

FLEX PVC PIPE



Imperial No.	Part Number	Description
149740	710-00-0075 / 100	3/4" x 100' Flex Pipe
149743	710-00-0100 / 50	1" x 50' Flex PVC Pipe
149744	710-00-0150 / 50	1 1/2" x 50' Flex PVC Pipe
149745	710-00-0150 / 100	1 1/2" x 100' Flex PVC Pipe
149746	710-00-0200 / 50	2" x 50' Flex PVC Pipe
149747	710-00-0200 / 100	2" x 100' Flex PVC Pipe

FLEX CLEAR PIPE



Imperial No.	Part Number	Description
149758	813-11-0150 / 50	1 1/2" x 50' Clear Flex PVC Pipe

BLACK POLY PIPE



Imperial No.	Part Number	Description
149730	AJ121510	1 1/2" x 100' 100# PSI
POLYGF15100	AF701510	1 1/2" x 100' 70# PSI

RIGID PVC PIPE



Imperial No.	Part Number	Description
149736BELL	022615	1 1/2" x 20' Bell End
149738BELL	022620	2" x 20' Bell End Pipe
149734	66927	1" x 20'
149735	66909	1 1/2" x 10'
149736	66909	1 1/2" x 20'
149737	66910	2" x 10'
149738	66910	2" x 20'

CLAMPS



Imperial No.	Part Number	Description
149231	HF20SS00P	1 1/4"
149232	HF24SS00P	1 1/2"
149233	HF32SS00P	2"

CLAMP & KEY TOOL



Imperial No.	Part Number	Description
149232PAK	H24SSBP2CK	One Package of Two Clamps & Key Tool

CONSTRUCTION

PLUMBING

CUTTING TOOLS



Imperial No.	Part Number	Description
121665	SS200	Flexible PVC Cutter cuts up to 2" Pipe
121666	SSB200	Replacement Blade for SS200
AGHL50	HL50	For use on plastic pipes up to 2" diameter.
AGHL50B	HL50B	Replacement Blades for AGHL50

PVC FITTINGS

45° ELBOW - SKT X SKT



Imperial No.	Part Number	Description
149340	417-010	1"
149341	417-015	1 1/2"
149342	417-020	2"

90° COMBO ELBOW - SKT X FPT



Imperial No.	Part Number	Description
149321	407-015	1 1/2"

90° ELBOW - SKT X SKT



Imperial No.	Part Number	Description
149311	406-007	3/4"
149312	406-010	1"
149313	406-015	1 1/2"
149314	406-020	2"

90° STREET ELBOW - FPT X MPT



Imperial No.	Part Number	Description
149336	412-015	1 1/2"
1493362	412-020	2"

90° STREET ELBOW - SKT X MPT



Imperial No.	Part Number	Description
149331	410-007	3/4"
149332	410-010	1"
149333	410-015	1 1/2"
149334	410-020	2"

CONSTRUCTION

PLUMBING

PVC FITTINGS

90° STREET ELBOW - SKT X SLIP



Imperial No.	Part Number	Description
149328	409-010	1"
149329	409-015	1 1/2"
149330	409-020	2"

90° SWEEP ELBOWS



Imperial No.	Part Number	Description
WW4119100	411-9100	SP X S 1 1/2" Sweep Street Elbow
WW4119110	411-9110	S X S 1 1/2" Sweep Elbow
WW4119120	411-9120	SP X S 2" Sweep Street Elbow
WW4119130	411-9130	S X S 2" Sweep Elbow

ADAPTER (PVC TO POLY) - SKT X INSERT



Imperial No.	Part Number	Description
149337	474-015	1 1/2"
1493372	474-020	2"

COMBO TEE - SKT X SKT X FPT



Imperial No.	Part Number	Description
149306	402-010	1"
149308	402-015	1 1/2"
1493082	402-020	2"

COUPLING - SKT X SKT



Imperial No.	Part Number	Description
149350	429-010	1"
149351	429-015	1 1/2"
149352	429-020	2"

FEMALE ADAPTER - SKT X FPT



Imperial No.	Part Number	Description
149357	435-010	1"
149358	435-015	1 1/2"
149359	435-020	2"

CONSTRUCTION PLUMBING

PVC FITTINGS

INSERT PIPE FITTINGS



Imperial No.	Part Number	Description
149276	1429-015	Coupling
149278	1436-015	Male Adapter
149280	1406-015	Elbow 90 degree
149282	1401-015	Tee
149283	1436-205	MPT x Smooth
149284	1407-015	Combination Elbow (FPT x Insert)
149286	1413-015	Combination Elbow 90 degree (MPT x Insert)
149288	1435-015	Female Adapter

MALE ADAPTER - SKT X MPT



Imperial No.	Part Number	Description
149365	436-007	3/4"
149366	436-010	1"
149367	436-015	1 1/2"
149368	436-020	2"

PIPE EXTENDERS



Imperial No.	Part Number	Description
PVPX015	PX-015	1 1/2"
PVPX020	PX-020	2"

REDUCER BUSHING - MPT X FPT



Imperial No.	Part Number	Description
1493829	439-209	1 1/2" x 1/2"
149383	439-210	1 1/2" x 3/4"
1493831	439-211	1 1/2" x 1"
149384	439-212	1 1/2" x 1 1/4"
149385	439-251	2" x 1 1/2"

REDUCER BUSHING - SLP X FPT



Imperial No.	Part Number	Description
149381	438-210	1 1/2" x 3/4"
149382	438-211	1 1/2" x 1"
149379	438-212	1 1/2" x 1 1/4"
149380	438-247	2" x 1/2"
1493822	438-249	2" x 1"
1493823	438-251	2" x 1 1/2"

REDUCER BUSHING - SLP X SKT



Imperial No.	Part Number	Description
1493702	437-131	1" x 3/4"
1493704	437-209	1 1/2" x 1/2"
1493705	437-210	1 1/2" x 3/4"
149374	437-211	1 1/2" x 1"
1493741	437-212	1 1/2" x 1 1/4"
1493751	437-248	2" x 3/4"
1493752	437-249	2" x 1"
149375	437-251	2" x 1 1/2"
1493754	437-291	2 1/2" x 1 1/2"
1493755	437-292	2 1/2" x 2"
1493757	437-338	3" x 2"
1493758	437-339	3" x 2 1/2"

CONSTRUCTION

PLUMBING

PVC FITTINGS

REDUCING MALE ADAPTER - MPT X SKT



Imperial No.	Part Number	Description
149369	436-251-2	2" x 1 1/2"
1493691	436-213	1 1/2" x 2"

SLIP CAP



Imperial No.	Part Number	Description
149389	447-015	1 1/2"
149390	447-020	2"

SLIP CROSS



Imperial No.	Part Number	Description
149346	420-015	1 1/2"
1493462	420-020	2"

SLIP PLUG



Imperial No.	Part Number	Description
149394	449-015	1 1/2"
1493942	449-020	2"

TEE - SKT X SKT X SKT



Imperial No.	Part Number	Description
149302	401-010	1"
149303	401-015	1 1/2"
149304	401-020	2"

THREADED CAP - FPT



Imperial No.	Part Number	Description
149391	448-015	1 1/2"

THREADED NIPPLE - MPT X MPT



Imperial No.	Part Number	Description
PV205030	8105	1/2" x 3"
PV207013	8200	3/4" x Close
PV210040	8307	1" x 4"
PV215017	8500	1 1/2" x Close
149292	8505	1 1/2" x 3"
PV215040	8507	1 1/2" x 4"

CONSTRUCTION

PLUMBING

PVC FITTINGS

THREADED NIPPLE - MPT X MPT

Imperial No.	Part Number	Description
PV215050	8509	1 1/2" x 5"
PV215060	8511	1 1/2" x 6"
PV215080	8515	1 1/2" x 8"
PV215120	8523	1 1/2" x 12"
PV220030	8605	2" x 3"
PV220040	8607	2" x 4"

THREADED PLUG - MPT



Imperial No.	Part Number	Description
1493943	450-005	1/2"
149395	450-010	1"
149396	450-015	1 1/2"
149397	450-020	2"

THREADED TEE - FPT X FPT X FPT



Imperial No.	Part Number	Description
149309	405-015	1 1/2"
1493092	405-020	2"

CONSTRUCTION PLUMBING

UNIONS

CUSTOM MOLDED PRODUCTS



Imperial No.	Part Number	Description
CMP21056150000	21056-150-000	Male Union - 1 1/2" Slip X 1 1/2" MPT
CMP21055150000	21055-150-000	Flush Union - 1 1/2" Slip X 1 1/2" MPT
CMP21053150000	21053-150-000	Flush Union - 1 1/2" Slip x 2" SPG
CMP21053200000	21053-200-000	Flush Union - 2" Slip x 2" Slip

**THE ORIGINAL
SMART CART**
The cart designed with YOU in mind!
Since 1999

The Easiest Way to Install Above-Ground Pool Walls!!

GLADON
COMPANY, INC.
Original Products That Make Pools Better

Get Smart

LET THE CART DO THE WORK

No more backbreaking above-ground pool wall installations! Just set your wall on the cart, walk around the pool, and slide the wall in the track!

Be Smart

THE CART SAVES TIME AND MONEY

Eliminates extra labor on wall set-up and makes wall installations quicker than ever!

Work Smart

BE SAFE ... NOT SORRY

Never have damaged walls again! The cart delivers pool wall on demand, as you slide it in the track!



Compact Design
Folds Up For Safe
& Easy Transport.

TOUGH
16 Gauge Steel
Construction

Let The Smart Cart
Make Your Wall Install
Easy As 1-2-3

- 1 Slide The Pool Wall On The Cart
- 2 Pull Cart Backwards & Walk Around Pool
- 3 Slide Wall In The Track As You Walk

Gladon.com

UNIONS

DURA GRAY SCHEDULE 80 - SKT X SKT



Imperial No.	Part Number	Description
149296	897-007	3/4"
149297	897-010	1"
149298	897-015	1 1/2"

CONSTRUCTION

PLUMBING

UNIONS

HAYWARD ECONO



Imperial No.	Part Number	Description
141248	SP1493	1 1/2" MIP Quick Disconnect 1 1/2" Hose (Barb)

HAYWARD FLUSH



Imperial No.	Part Number	Description
141239	SP14952	1 1/2" FIP Flush Female Union
141240	SP14952S50	1 1/2" Skt. (+2" Slip) Flush Female Socket Union
141242	SP14953S	1 1/2" MIP x 1 1/2" Skt. Flush Male/Female Socket Union
141244	SP14982S	2" SKT x 2" Skt. Flush Union
141245	SP14983S	2" MIP x 2" Skt. Flush Male/Female Socket Union

HAYWARD SELF-ALIGNING



Imperial No.	Part Number	Description
141230	SP1480BLK	Self Aligning Union, Black
141231	SP1481	1 1/2" Slip ABS, Double Male End Union
141232	SP1482	1 1/2" MIP x Slip ABS, Double Male End Union
141233	SP1484	1 1/2" MIP x Skt. ABS, Double Male/Female Union
141234	SP1485	1 1/2" MIP Clear Lexan, Double Male, 90" Short
141235	SP1486	1 1/2" MIP Clear Lexan, Self Aligning Male End Unions for S-200

PRAHER - SKT X SKT



Imperial No.	Part Number	Description
PR150903	150-903	1 1/2"
PR150906	150-906	1 1/2" Male Threaded Union
PR200906	200-906	2" High Heat Male Threaded Union
PR150100	150-100	1 1/2"
PR200100	200-100	2"

VALVES

CHECK VALVES



Imperial No.	Part Number	Description
149272	FV150	1 1/2" Foot Valve
141129	SP1445S	1 1/2" Skt. In Line, PVC Check Valve
151485	R172288	1 1/2" SKT/2" Slip Spring loaded inline check valve 2#
PR150CV200	150-CV-200	Praher 1 1/2" Skt x Skt 30/cs
JA7235	7235	1 1/2" x 2" Jandy Check Valve
JA7305	7305	2" x 2 1/2" Jandy Check Valve
141132	SP1056	1 1/2" MIP Hydrostatic Relief Valve, ABS

H2FLOW CONTROLS



Imperial No.	Part Number	Description
H2FVC	FV-C	Flowvis 2 & 2 1/2" Control Valve
H2FVC15	FV-C-15	1 1/2" Control Valve

CONSTRUCTION

PLUMBING

VALVES

GATE VALVE



Imperial No.	Part Number	Description
SP2010015	2010-015	PVC Gate Valve Cartridge 1 1/2"
149542	GV200-150T	1 1/2" FPT x FPT Brass Gate Valve
149552	2011-015	1 1/2" FPT x FPT Spears PVC Gate Valve

PUSH/PULL VALVE



Imperial No.	Part Number	Description
121554	0401-15	1 1/2" Slip x 1 1/2" Slip, 2-Way Push-Pull Valve
149592	0412-15	1 1/2" Male Slip x 1 1/2" Slip, 2-Way Push/Pull Valve

CUSTOM MOLDED PRODUCTS BALL VALVE



Imperial No.	Part Number	Description
CMP25802651000	25802-651-000	1 1/2" FIP x MIP Ball Valve with Union

HAYWARD BALL VALVE



Imperial No.	Part Number	Description
141178	SP0722	1 1/2" FIP Trimline Ball Valve, 2-Way
141179	SP0722S	1 1/2" Skt. Trimline Ball Valve, 2-Way
141180	SP0723	1 1/2" MIP x Trimline Ball Valve, 2-Way 1 1/2" FIP
149892	SP0729	1 1/2" MIP x 1 1/2"/1 1/4" Hose. Economy Ball Valve 2-Way
141183	SP0724S	2" Skt. Trimline Ball Valve, 2-Way
141164	SP0735	1 1/2" FIP Deluxe Ball Valve, 4-Way
141165	SP0735S	1 1/2" Skt. Deluxe Ball Valve, 4-Way

HMIP SERIES SCHEDULE 80 BALL VALVE



Imperial No.	Part Number	Description
AGHMIP150S	HMIP150S	1 1/2" Slip with Teflon Seats
AGHMIP150SE	HMIP150SE	1 1/2" Slip with EPDM Seats
AGHMIP200S	HMIP200S	2" Slip with Teflon Seats
AGHMIP200SE	HMIP200SE	2" Slip with EPDM Seats

JANDY BALL VALVE



Imperial No.	Part Number	Description
Z0DBVSU015	BVSU015	Jandy 1 1/2" Non Union Ball Valve

CONSTRUCTION

PLUMBING

VALVES

PRAHER BALL VALVE



Imperial No.	Part Number	Description
PRBV61501	BV6-1501PES	1 1/2" Skt x Skt Gray Double Union 20 / cs
PR150010	150-010	1 1/2" Skt x Skt 25/cs
PR200010	200-010	2" Skt x Skt 17/cs

SPEARS GRAY SCHEDULE 80 BALL VALVE - SKT X SKT



Imperial No.	Part Number	Description
149045	2132-007	3/4"

HAYWARD DIVERTER VALVE



Imperial No.	Part Number	Description
148832	PSV2S	2 way 1 1/2" SKT or 2" Slip
148833	PSV2S2	2 way 2" SKT or 2 1/2" Slip
148834	PSV3S	3 way 1 1/2" SKT or 2" Slip
148835	PSV3S2	3 way 2" SKT or 2 1/2" Slip
148843	PSV3SM	3 way 1 1/2" SKT or 2" Slip with union package

HYDRO AIR DIVERTER VALVE



Imperial No.	Part Number	Description
149588	6652-200	Hydroflow 2" Top Mount diverter valve - white

JANDY DIVERTER VALVE



Imperial No.	Part Number	Description
JA4724	4724	2 Port 1 1/2" / 2" NeverLube Valve
JA4716	4716	2 Port 2" / 2 1/2" NeverLube Valve
JA4715	4715	3 Port 1 1/2" / 2" NeverLube Valve
JA4717	4717	3 Port 2" / 2 1/2" NeverLube Valve
149591	1157	2 Port 1 1/2" / 2" Jandy Valve
149596	1154	3 Port Positive Seal 1 1/2" / 2"
149597	2875	3 Port Positive Seal 2" / 2 1/2"
149595	3407	2 Port Space Saver 1 1/2" / 2"
149599	3406	3 Port Space Saver 1 1/2" / 2"

PENTAIR DIVERTER VALVE



Imperial No.	Part Number	Description
PF521485	521485	Actuator Valve
149416	263038	2 way PVC 1 1/2 in. (2 in. slip outside)
149414	263029	2 way PVC 2 in. (2 1/2 in. slip outside)
149415	263037	3 way PVC 1 1/2 in. (2 in. slip outside)
149413	263028	3 way PVC 2 in. (2 1/2 in. slip outside)
149417	263045	CVA24 valve actuator - will fit all Jandy and Pentair Valves

CONSTRUCTION

PLUMBING

VALVES

PRAHER DIVERTER VALVE



Imperial No.	Part Number	Description
PROV315SSMU	OV3-15SSMU	1 1/2" SKTxSKTxMPT

CEMENTS & PRIMERS

PVC CEMENT - HEAVY BODY - GRAY



Imperial No.	Part Number	Description
149249	1736S	Quart case 12
149251	1746S	Pint case 12

PVC CEMENT - MEDIUM BODY - BLUE



Imperial No.	Part Number	Description
149236	2346S	Pint case 24
149237	2336S	Quart case 12

PVC CEMENT - MEDIUM BODY - CLEAR



Imperial No.	Part Number	Description
149246	1236S	Quart case 12

PVC CEMENT - MEDIUM BODY - CLEAR - FLEX PIPE



Imperial No.	Part Number	Description
149242	2946S	Pint case 24
149241	2936S	Quart case 12

PVC CEMENT - REGULAR BODY - CLEAR



Imperial No.	Part Number	Description
149083	2266S	1/4 Pint case 24
149235	2246S	Pint case 12

PVC PRIMER - NSF LISTED - CLEAR



Imperial No.	Part Number	Description
149084	9366S	1/4 Pint case 24
149238	9346S	Pint case 12
149239	9336S	Quart case 12

CONSTRUCTION

PLUMBING

CEMENTS & PRIMERS

PVC PRIMER - NSF LISTED - PURPLE



Imperial No.	Part Number	Description
149253	8736S	Quart case 12

T CHRISTYS RED HOT BLUE GLUE



Imperial No.	Part Number	Description
TCRRHRHBGQT	RH-RHBG-QT-12	Quart

SEALANTS & LUBES

A/B EPOXY SEALER



Imperial No.	Part Number	Description
149256	530318	14 oz. Tube Set / Dries White 5 Sets per box

LUBRICANTS



Imperial No.	Part Number	Description
ROP00150	00150	Roper 1 oz. tube
ROP00450	00450	Roper 4 oz. tube
151658	SPX0327	Jack's Formula No. 327 MultiLube, 1 oz. Tube
ALA630	630	Magic Lube w/Teflon 1 oz. tube
ALA631	631	Magic Lube w/Teflon 5 oz. tube
ALA650	650	Magic Lube II Silicone 1 oz. tube

SILICONE



Premium adhesive and sealant for the entire pool and spa area. 100% Silicone free! Odorless! Sea & Chlorine water resistant!

Imperial No.	Part Number	Description
149245	80022	Superflex RTV Silicone Blue 3 oz.
149247	PLB100C	10 oz. Industrial Silicone - (Clear)

TEFLON THREAD SEALER



Imperial No.	Part Number	Description
AGHTST52075	HTST520-3/4	3/4" x 520" Teflon Tape
149248	HTST520-1/2	1/2" x 520" Roll Teflon Tape - 12 sleeve
149243WHT	31232	White Seal Joint Compound 16 oz.

CONSTRUCTION

PLUMBING

FLOWMETERS & GAUGES

FLOWMETERS



Imperial No.	Part Number	Description
149673	F-30150P	1 1/2" 20-100
149674	F-30200P	2" 40-150
149675	F-30300P	3" 80-300

PRESSURE GAUGES



Imperial No.	Part Number	Description
149751	IPG302-8L	1/8" Lower Mount Pressure Gauge
149752	IPPG302-4L	1/4" Lower Mount Pressure Gauge
149753	IPPG602-4B	1/4" Back Mount Pressure Gauge

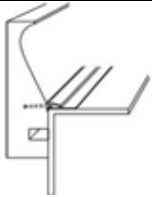
VACUUM GAUGES



Imperial No.	Part Number	Description
149754	IPVG302-4L	1/4" Lower Mount Vacuum Gauge

DECK FORMS

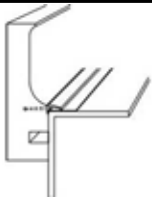
CANTILEVER DECK FORMS FOR VINYL LINER POOLS - STEGMEIER



Vinyl liner cantilever deck forms come complete with liner track extrusion, bending tape and self-tapping-screws.

Imperial No.	Part Number	Description
149960	8CF1000	Clip-Loc Capstone Forms with Rigid Track 8' Pieces.
149969	8CF1000FT	Clip-Loc Capstone Forms For Free Form Pools & Radius Corner Pools.
STG8CF1000NT	8CF1000NT	Clip-Loc Capstone Forms without Track.
149708	8CF1001	Regular Clip-Loc Deck Forms w/Rigid Track. 8' Pieces.

CANTILEVER DECK FORMS FOR GUNITE POOLS - STEGMEIER



Gunite cantilever deck forms comes complete with tile strip and tie wire side Kit.

Imperial No.	Part Number	Description
149701	1CF112	Regular Cantilever Deck Forms
149702	2CF112	Intermediate Cantilever Deck Forms.
149703	9CF112	Capstone Form
149705	5CF112	Renovation Forms
149731	CFA001	Tie Wire Side Kit - Complete with 100 Tie Wires, 100 Concrete Nails and 1 Roll Bending Tape
STG10CF112	10CF112	Stamp A Form Kit White
STG10CF122	10CF122	Stamp A Form Kit Grey

CANTILEVER STEP FORMS - STEGMEIER



Carton includes: (4) 4 ft. straight pieces with clips, (2) preformed corners with clips, (2) 4 ft. braces, (25) screws and washers, (25) tie wires, edging tool and instructions.

Imperial No.	Part Number	Description
149697	1CSK24	Regular Profile Step Kit
149699	9CSK24	Capstone Profile Step Kit
149706	9CSK24-FO-F	Perim-A-Lite Capstone Profile Step Kit - Fiberstars

CONSTRUCTION

DECK FORMS

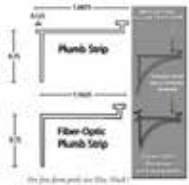
NOSE CAPS - STEGMEIER



Nose Caps provide joint extension to control cracks on the cantilevered deck face.

Imperial No.	Part Number	Description
149707C	9NC1	Capstone Nose Caps-White
149707I	2NC1	Intermediate Nose Caps-White
149707R	1NC1	Regular Nose Caps-White.

PLUMB STRIP - STEGMEIER



Plumb Strips are PVC corner strips used to square the top edge of a one-piece fiberglass pool or thermo-formed stair in preparation for setting a cantilever form.

Imperial No.	Part Number	Description
149711	FBGL-W	Plumb Strip - 8' Length

MORTEX DECK FORMS



Imperial No.	Part Number	Description
MOFKFFO	FKFFO	Keystone Form Bands
MORFXK6R	FXX6R	Keystone Form 6" Radius
MORFXKP	FXKP	Key Pack

POUR A LID SKIMMER COVER



Imperial No.	Part Number	Description
201PALCLEAR	201PALCLEAR	Pour-A-Lid Clear
201PALGREY	201PALGREY	Pour-A-Lid GREY

Z FORM

Z POOLFORM



Z Poolform is a reusable PVC form used to create decorative concrete coping for pools. Interchangeable form liners will allow for a variety of different edge profiles and textures. Z Poolforms can be used with vinyl liner, fiberglass, or concrete pools. Package contains 8-8' [64 linear feet] of straight Z Poolform. This includes the base form and the back piece.

Imperial No.	Part Number	Description
CARPF001	PF-001	Standard Pool Form, 8 ft. Straight (Sold each) 8/CS

BENDABLE Z POOL POOLFORM



Bendable Z Pool Poolform is a reusable PVC form used to create decorative concrete coping for pools. Interchangeable form liners will allow for a variety of different edge profiles and textures. Z Poolforms can be used with vinyl liner, fiberglass, or concrete pools. Package contains 8-8' [64 linear feet] of bendable Z Poolform. This includes the base form and the back piece.

Imperial No.	Part Number	Description
CARBPF001	BPF-001	Bendable Pool Form, 8 ft. (Sold Each) 8/CS

RECEIVER TRACK



Receiver track is used to mount the Z Poolform on top of the pool wall of a concrete or fiberglass pool. Package contains sixteen 8' pieces [128 linear feet] of straight receiver track, not reusable because it is left in place.

Imperial No.	Part Number	Description
CARRT001	RT-001	Receiver Track 8 ft. (Sold Each) 16/CS

CONSTRUCTION

DECK FORMS

Z FORM

BENDABLE RECEIVER TRACK



Bendable Receiver track is used to mount the Z Poolform on top of the pool wall of a concrete or fiberglass pool or plastic step. Package contains sixteen 8' pieces [128 linear feet] of bendable receiver track, not reusable because it is left in place.

Imperial No.	Part Number	Description
CARBRT001	BRT-001	Bendable Receiver Track, 8 ft. (Sold Each) 16/CS

POOLFORM LINERS



Flexible rubber insert that will lock into the Z Poolform.

Imperial No.	Part Number	Description
CARBPL008	BPL-008	Bullnose Form Liner (Sold Each) 8/CS
CARBRPL008	BRPL-008	Bermuda Form Liner (Sold Each) - 8/CS
CARBSPL008	BSPL-008	Bullnose Slate Form Liner (Sold Each) 8/CS
CARBTPL008	BTPL-008	Bullnose Travertine Form Liner (Sold Each) 8/CS

EXTRACTOR TOOL



The Z Poolform extractor tool is used to safely remove the Z poolform from the receiver track or liner track without causing damage to the forms. This tool will help ensure a long life for your Z Poolforms.

Imperial No.	Part Number	Description
CARPET001	PET-001	Z Poolform Extractor Tool

WHITE VINYL TAPE



Used to cover gaps caused by "V" notches in the bendable pool form.

Imperial No.	Part Number	Description
CARWVT250	WVT-250	2.5" White Vinyl Tape 180 ft. per Roll

EXTRUSION

ALUMINUM HORIZONTAL



Imperial No.	Part Number	Description
147777	FXARC	Aluminum Top Mount Radius Cut Track
149811	HZW-S08X25	Horizontal Aluminum Extrusion 8 ft. White, Straight - 25/CS
149811N	HZW-N08X25	Horizontal Aluminum Extrusion 8 ft. White, Notched - 25/CS
149813		8' Aluminum Straight Extrusion - Horizontal 15/CS - W/Screws
149811G	HZG-S08X15	Horizontal Aluminum Extrusion 8 ft. Gray, Straight - 15/CS
149811GN	HZG-N08X15	Horizontal Aluminum Extrusion 8 ft. Gray, Notched - 15/CS
14981106R	HZW-6RAD4	6" Radius Horizontal Mount
1498112R	HZW-2RAD4	2' Radius Horizontal Mount
1498114R	HZW-4RAD1	4' Radius Horizontal Mount
MOFXALR	FXALR	8' Aluminum Straight Retainer Track 14 per case
MOFXA6RI	FXA6RI	6" Radius Track
STG8CF950	8CF950	Aluminum Straight Liner Track 14/CS
STG8CF955	8CF955	Aluminum Flex Liner Track 14/CS

VERTICAL




Imperial No.	Part Number	Description
149812	VTW-S08X25	8' Aluminum Straight Extrusion - Vertical 15/CS
149814		Vertical Aluminum Extrusion - W/Screws
CARVTW6RAD4	VTW-6RAD4	Vertical Aluminum Extrusion - 6" Radius
1498122R	CPVM1R0200D90	Vertical Aluminum Extrusion - 2' Radius

CONSTRUCTION

EXTRUSION


CARDINAL HORIZONTAL ALUMINUM



Imperial No.	Part Number	Description
CART2GN08X15	T2G-N08X15	T2 Gray 8' Notched Aluminum Extrusion
CART2GN6RAD4	T2G-N6RAD4	T2 Gray Notched 6" Radius x 2'
CART2GS08X15	T2G-S08X15	T2 Gray 8' Straight Aluminum Extrusion
CART2WN08X15	T2W-N08X15	T2 White 8' Notched Aluminum Extrusion
CART2WN6RAD4	T2W-N6RAD4	T2 White Notched 6" Radius x 2'
CART2WS08X15	T2W-S08X15	T2 White 8' Straight Aluminum Extrusion


PLASTIC

HORIZONTAL



Imperial No.	Part Number	Description
149652	QP-531	8' Plastic Straight Extrusion - Horizontal 64/CS
149654	QP 1551	8' Plastic Straight Extrusion - Horizontal 64/CS - W/Screws
149686Q	QP-2022	Horizontal Mount Radius Flex Corner--8' Length (For Use in Free Form Pools. Conforms to Pool Radius.) 26/CS

VERTICAL




Imperial No.	Part Number	Description
149669	QP-521	8' Plastic Straight Extrusion - Vertical 50/CS
149653	QP 521	8' Plastic Straight Extrusion - Vertical 50/CS - W/Screws

COPING


ROYAL CP-2 COPING

Complete coping kits are available call customer service for additional information.



Imperial No.	Part Number	Description
06104		8' Sections
06103		12' Sections
06106	CRW-6RAD4	6" Radius Corner
06114	CRW-2RAD4	2" Radius Corner
06112	CRW-4RAD4	4" Radius Corner
06107	IMPCR1101351108	135 degree Grecian Corner
06108		90 Degree Inside EL
06113		90 Degree Outside EL
06110	CRW-CLIP-500	Coping Joint Clip
06206	CRW-NONSKID	12 oz can coping Paint


LINER BEAD LOCK



Imperial No.	Part Number	Description
149273	QP-1562	Liner Bead Wedge Lock-White 120' Roll
PETLINLOCK	RPVC LINER LOCK	Straight Liner Lock 4ft length

DECK DRAIN

STEGMEIER - WHITE



Imperial No.	Part Number	Description
149720	SDDW	Stegmeier Deck Drain with Removable Top Caps For Easy Cleaning. 10' length

CONSTRUCTION

DECK DRAIN

STEGMEIER - GRAY

Imperial No.	Part Number	Description
149720G	SDDG	Stegmeier Gray Deck Drain

STEGMEIER - TAN

Imperial No.	Part Number	Description
149720T	SDDT	Stegmeier Tan Deck Drain

EXPANSION JOINTS



Imperial No.	Part Number	Description
149717	SDJ1W	Expansion Joint - 12' Arrow Head Protective Tape - White
STGPPV14B	PV14B	Polyvoid 1/2"x3"x60' roll

STEEL GOODS



Imperial No.	Part Number	Description
149268	5W180	Galvanized 14 oz. Spray Can. Prevents corrosion.
149271		Rebar 3/8" x 18 (Bundles of 20)

REPAIR PLATES



Imperial No.	Description
149290	For Standard Niche hole
149291	18"x18" Light hole Cover Plate
149293	For SP1084
149874	For SP1084-OM
149294	For SP1085-OM
149295	For SP1408

STAIR RODS & CLIPS



Imperial No.	Part Number	Description
14232		97 1/2" x 3/8" Unthreaded Steel Rod
149255	rod3	8' Non threaded Fiberglass Rod 3/8"
149257	rod4	14' Fiberglass Stair Rod, Non-threaded
149254B		Nylon Stair Rod Clip 3/8" - Package of 12
149206	rod1	8' Non threaded Fiberglass Rod 1/4"
149207	rod2	14' Non threaded Fiberglass Rod 1/4"
149275		1/4" Rod Clips
149269		Galvanized Stair Rod Clips

WALL FOAM & ADHESIVE

BIG STICKY



Coverage	Big Sticky Canister	Aerosol Can
Coverage	1,411 sq. ft.	39 sq. ft.
# of 100 Sq. Ft. Pools	14 pools	<1 (about 3 cans per pool)
Equivalency	1 canister	36 aerosol cans

Imperial No.	Part Number	Description
700105	QGLV27ABC	Quick Grip Low VOC Spray Adhesive
700101	SG200	Spray Gun
700102	MH973	12 Foot Hose

CONSTRUCTION

WALL FOAM & ADHESIVE

SPRAY ADHESIVE - 14 OZ CAN



Imperial No.	Part Number	Description
149265	FB24	Spray Glue

WALL FOAM



Imperial No.	Part Number	Description
149264	WF125	42" x 125' Roll - 1/8" - 2lb. Density
149267	WF12525	42" x 125' Roll - 1/4" - 2lb. Density

FASTENERS

HARDWARE



Imperial No.	Part Number	Description
TEK10		Tek Screws - Package of 10
149662		3/8" - U.S. Std. Washer
149664		3/8" - 16 Hex Washer Head Nut
149665		3/8" - 16 x 1" Hex Washer Head Bolt
149667		3/8" - 16 x 2 1/4" Hex Bent Bolt
FPSS1		1" Screw Bulk PAK [100 Screws]
FPSS114	ISB-601-006	1 1/4" Screw Bulk PAK [100 Screws]
PAK100		Hardware package - includes 100 nuts/bolts/washers
PAK75	PAK75	Hardware package - includes 75 nuts/bolts/washers
TEK75	TEK75	Tek Screws - Package of 75

WHITE GOODS

SKIMMERS

HAYWARD ABOVE GROUND



Imperial No.	Part Number	Description
152315	SPX1091D	Face Plate Standard
HAYSPX1091G	SPX1091G	Gasket STD, Butterfly
141007	SP1091LX	Skimmer Pack for Above Ground Pools. Includes: SP-1090, SP-1023G, SP-1419-D, (3)1 1/2" x 1 1/4" hose adapters, SP-1022-B Plug
141008	SP1094WF	Skimmer Pack for Above Ground Pools. Dyna-Skim. Combination Front/Top Access Skimmer. 90 degree Skim-Vac.
141016	SP1091WM	Hayward Wide Mouth Skimmer for Above Ground Pools - White

HAYWARD INGROUND

VINYL



Imperial No.	Part Number	Description
152340	SPX1091GW	Gasket Widemouth, Butterfly
HAYSPX1091F	SPX1091F	Face Plate Widemouth
HAYSPX1091G	SPX1091G	Gasket STD, Butterfly
141009	SP1097	1 1/2" Economy Skimmer with 12 1/2" throat, face plate, gaskets and screws. For Vinyl, FG Pools.
141002	SP108410M	Same as SP-1084-1, but w/Lock Tabs & Close Flange.
141017	SP108410MDGR	SP108410M Skimmer - Dark Gray
141003	SP108510M	1 1/2" Auto-Skim w/Square Cover, wide mouth, 12 1/4" long throat, face plate, gaskets and screws. For thru wall outside mount on metal wall pools
141005	SP108520M	1 1/2" Same as SP-1085-1 but w/9 1/4" Long throat, lock tabs and close flange. For thru wall outside mount on Metal Wall Pools.
141010	SP108520MDGR	SP108520M Skimmer - Dark Gray

CONSTRUCTION

WHITE GOODS

SKIMMERS

HAYWARD INGROUND

VINYL

Imperial No.	Part Number	Description
141006	SP108520MOCG	1 1/2" Same as SP-1085-20M with (2)SP-1408, (1) SP-1084-P-1, (1) SP-1107, (2) SP-1418-D and (1) SP-1085-F.

FIBERGLASS/POLYMER



Imperial No.	Part Number	Description
141001	SP10841	1 1/2" Auto-Skim w/Square Cover, 8 1/2" long throat, face plate, gaskets and screws. For Vinyl, FG, Wood and Foam Wall Pools.
148836	SP10852	1 1/2" Auto-Skim w/Square Cover, wide mouth, 9 1/4" long throat, face plate, gaskets and screws. For Vinyl, FG, Wood and Foam Wall Pools.

CONCRETE



Imperial No.	Part Number	Description
141000	SP1082	2" Auto-Skim w/Square Cover. For Concrete Pools.
141189	SP1082RC	Gunitite Skimmer 2" Round Clear

HAYWARD FACEPLATE COVERS



Imperial No.	Part Number	Description
141015	SP1084F	Face Plate Cover-White "Snap-on", for SP-1084 Skimmers. Conceals Screws.
HAYSP1084FGR	SP1084FGR	Face Plate Cover-Gray "Snap-on", for SP-1084 Skimmers. Conceals Screws.
HAYSP1084FDGR	SP1084FDGR	Face Plate Cover-Dark Gray "Snap-on", for SP-1084 Skimmers. Conceals Screws.
141037	SP1085F	Face Plate Cover-White "Snap-on", for SP-1085 Skimmers. Conceals Screws.
HAYSP1085FGR	SP1085FGR	Face Plate Cover-Gray "Snap-on", for SP-1085 Skimmers. Conceals Screws.
HAYSP1085FDGR	SP1085FDGR	Face Plate Cover-Dark Gray "Snap-on", for SP-1085 Skimmers. Conceals Screws.
HAYSPX1094R	SPX1094R	Face Plate Cover - Snap-On

HAYWARD INGROUND

COVERS



Imperial No.	Part Number	Description
151243	SPX1082E	Cover, Square
HAYSPX1082EGR	SPX1082EGR	Skimmer Cover, Square - Gray
HAYSPX1082EDGR	SPX1082EDGR	Skimmer Cover, Square - Dark Gray
151245	SPX1084R	Cover, Round

EXTENSION COLLAR



Imperial No.	Part Number	Description
151268	SPX1096AX	Adjusting Collar
141013	SP1084P1	Extension collar for SP-1082, 1083, 1084, 1086 Series-Cyclac.

CONSTRUCTION

WHITE GOODS

SKIMMERS

CUSTOM MOLDED PRODUCTS - SKIMMER PARTS



Imperial No.	Part Number	Description
151285	25573-300-000	FlowSkim Handle only
CMP25141360000	25141-360-000	Skimmer Weir Door 7 13/16" - White
CMP25538000000	25538-000-000	Square Skimmer Cover for SP1082 - White
CMP25540000010	25540-000-010	Faceplate Only For SP-1084 - White
CMP25540001020	25540-001-020	Faceplate Cover For SP-1084 - Light Gray
CMP25540004020	25540-004-020	Faceplate Cover For SP-1084 - Black
CMP25540007020	25540-007-020	Faceplate Cover For SP-1084 - Dark Gray
CMP25540009020	25540-009-020	Faceplate Cover For SP-1084 - Light Blue
CMP25540039020	25540-039-020	Faceplate Cover For SP-1084 - Tan
CMP25540069020	25540-069-020	Faceplate Cover For SP-1084 - Dark Blue
CMP25541001020	25541-001-020	Wide Mouth Faceplate Cover For SP-1085 - Light Gray
CMP25541004020	25541-004-020	Wide Mouth Faceplate Cover For SP-1085 - Black
CMP25541007020	25541-007-020	Wide Mouth Faceplate Cover For SP-1085 - Dark Gray
CMP25541009020	25541-009-020	Wide Mouth Faceplate Cover For SP-1085 - Light Blue
CMP25541039020	25541-039-020	Wide Mouth Faceplate Cover For SP1085 - Tan
CMP25541069020	25541-069-020	Wide Mouth Faceplate Cover For SP-1085 - Dark Blue
CMP27180152000	27180-152-000	Skimmer Basket For Hayward SP1082CA
CMP27180168000	27180-168-000	Skimmer Basket Fits Hayward SP1096CA
151246FS	27182-352-000	FlowSkim Basket w/handle for Hayward SPX1082CA

PENTAIR INGROUND

VINYL



Imperial No.	Part Number	Description
149936	506161	Vac Plate Assembly for 506521

CONCRETE



Imperial No.	Part Number	Description
149407	506364	1 1/2" Threaded ports
149408	506362	2" Threaded ports

SKIM-VACS



Imperial No.	Part Number	Description
141110	SP11041	Skim-Vac Vacuum Plate, 1 1/4"/1 1/2" Elbow, std pk -50
141111	SP11051	Deluxe Skim-Vac. Vacuum Plate, 1 1/2" hose connection. (straight) std pk -50
141112	SP11052	Deluxe Skim-Vac. Vacuum Plate, 1 1/4" hose connection. (elbow) std pk -50
141113	SP11054	Deluxe Skim-Vac. Vacuum Plate, 1 1/4" / 1 1/2" hose connection. (straight) std pk -50
141114	SP1094D	Skim-Vac. For SP-1094. 1 1/4"/1 1/2" hose connection. (elbow) std pk -20
141115	SP1106	Deluxe Skim-Vac. Skimmer Vacuum Plate-(large). 1 1/2" hose connection. std pk -20
141116	SP1107	Skim-Vac. Vacuum Plate (large) with 1 1/2" straight hose connection. std pk -20

CONSTRUCTION

WHITE GOODS

SKIMMERS

SKIMMER GRILLES



Imperial No.	Part Number	Description
3249	G-AGWM-H2	Widemouth A/G Skimmer Grille
3256	G-IGSD-H	Skimmer Grille I/G for SP1084
3258	G-IGWM-H	Skimmer grille I/G for SP1085

BUILDER KITS

CUSTOM MOLDED PRODUCTS



Builder Kits include 1 - standard or widemouth faceplate, 2 Galaxy VGB drain kits, 3 - Return faceplate kits, 3 - Eyeballs, and all required gaskets and screws.

Imperial No.	Part Number	Description
CMP25540200000	25540-200-000	SP1084 Builder Pack - White
CMP25540201000	25540-201-000	SP1084 Builder Pack - Gray
CMP25540204000	25540-204-000	SP1084 Builder Pack - Black
CMP25540209000	25540-209-000	SP1084 Builder Pack - Tan
CMP25540259000	25540-259-000	SP1084 Builder Pack - Light Blue
CMP25540269000	25540-269-000	SP1084 Builder Pack - Dark Blue
CMP25541200000	25541-200-000	SP1085 Widemouth Builder Pack - White
CMP25541201000	25541-201-000	SP1085 Widemouth Builder Pack - Gray
CMP25541204000	25541-204-000	SP1085 Widemouth Builder Pack - Black
CMP25541209000	25541-209-000	SP1085 Widemouth Builder Pack - Tan
CMP25541259000	25541-259-000	SP1085 Widemouth Builder Pack - Light Blue
CMP25541269000	25541-269-000	SP1085 Widemouth Builder Pack - Dark Blue

LINER REBUILD LIST

MAIN DRAIN



Imperial No.	Part Number	Description
151306	WGX1048B	Frame for 8" round SP1048 main drain
151308	SPX1039Z18	Screws, Frame
151309A	WGX1048E	Cover section outlet 8" round SP1048 main drain
151310	SPX1030Z2A	Screws, Cover
CMP25548100000	25548-100-000	8" Main Drain Cover Kit (Includes Cover, Ring, Gasket & Screws) - White
151304	SPX1048DPAK2	Gasket - Set of 2

SKIMMER

Imperial No.	Part Number	Description
151251	SPX1084L	Faceplate (SP1084)
151277	SPX1084BPAK2	Gasket (SP1084) - Set of 2
151257	SPX1085B	Faceplate (SP1085)
151266	SPX1085DPAK2	Gasket (SP1085) - Set of 2
151255	SPX1084Z4A	Face Plate Screw Set (Coarse Threads) SP1084
151259	SPX1085Z1A	Face Plate Screw Set (Coarse Threads) SP1085
FPSS1		1" Screw Bulk PAK [100 Screws]
FPSS114	ISB-601-006	1 1/4" Screw Bulk PAK [100 Screws]
141015	SP1084F	Face Plate Cover-White "Snap-on", for SP-1084 Skimmers. Conceals Screws.
141037	SP1085F	Face Plate Cover-White "Snap-on", for SP-1085 Skimmers. Conceals Screws.

LIGHT - NICHE

Imperial No.	Part Number	Description
AP630044	630044	Ring Seal Quick Niche - Gray
151323	SPX0507A1	Front Frame, White (SP0607)
151324	SPX0506D	Gasket
AP630017	630017	Sealing ring w/ gasket
151456	SPX0607Z1A	Screw Set

CONSTRUCTION

WHITE GOODS

LINER REBUILD LIST

RETURNS



Imperial No.	Part Number	Description
151301	SPX1411Z12PAK2	Gasket
CMP25545000000	25545-000-000	Faceplate For Vinyl Pool Return - White
151288	SPX1408B	Faceplate - white
151290	SPX1408C	Gasket
151287	SPX1411B	Faceplate w/threads
151291	SPX1039Z1A	Screw Set

UNIVERSAL STEP FACEPLATE KIT



Patented Dowel Alignment System.
With the use of dowels strategically located, alignment of face plate correctly is guaranteed. Exact screw hole fit, no wandering faceplate.

Imperial No.	Description
SAR00468W	White Universal co-extruded faceplate & gasket set complete [Works on new and old style Saratoga step designs and most other brands in the field. Steps up to 8' wide

MAIN DRAINS

HAYWARD



Imperial No.	Part Number	Description
141196	WG1049AVDGRPAK2	2" Dual Suction Outlet, Dark Gray. Pack of 2 Drains.
151306	WX1048B	Frame for 8" round SP1048 main drain
151308	SPX1039Z18	Screws, Frame
151309A	WX1048E	Cover section outlet 8" round SP1048 main drain
151310	SPX1030Z2A	Screws, Cover
141198	WG1048AVPAK2	1 1/2" Side Outlet, Plate, Gaskets and Screws. Pack of 2 Drains white
HAYWG1048AVDGRPAK2	WG1048AVDGRPAK2	1 1/2" Side Outlet, Plate, Gaskets and Screws. Pack of 2 Drains Dark Gray
HAYWX1048BDGR	WX1048BDGR	Dark Gray Frame for SP1048 Main Drain
HAYWX1048EDGR	WX1048EDGR	Dark Gray Anti-Vortex Plate for SP1048 Main Drain
141177	WG1049AVPAK2	2" Side Outlet, 1 1/2" Bottom Plug Pack of 2 Drains.
141159	WG1054AVPAK2	2" Side Outlet, Plate, 2" Bottom Plug. Pack of 2 Drains
141171	WG1154AVPAK2	2" Main Drain with Adjustable Collar. Pack of 2 Drains
151304	SPX1048DPAK2	Gasket - Set of 2

CUSTOM MOLDED PRODUCTS - MAIN DRAIN COVER KITS



Imperial No.	Part Number	Description
CMP25548100000	25548-100-000	8" Main Drain Cover Kit (Includes Cover, Ring, Gasket & Screws) - White
CMP25548101000	25548-101-000	8" Main Drain Cover Kit (Includes Cover, Ring, Gasket & Screws) - Light Gray
CMP25548104000	25548-104-000	8" Main Drain Cover Kit (Includes Cover, Ring, Gasket & Screws) - Black
CMP25548107000	25548-107-000	8" Main Drain Cover Kit (Includes Cover, Ring, Gasket & Screws) - Dark Gray
CMP25548109000	25548-109-000	8" Main Drain Cover Kit (Includes Cover, Ring, Gasket & Screws) - Tan
CMP25548159000	25548-159-000	8" Main Drain Cover Kit (Includes Cover, Ring, Gasket & Screws) - Light Blue
CMP25548169000	25548-169-000	8" Main Drain Cover Kit (Includes Cover, Ring, Gasket & Screws) - Dark Blue

CONSTRUCTION

WHITE GOODS

MAIN DRAINS

CUSTOM MOLDED PRODUCTS



Imperial No.	Part Number	Description
CMP25207800000	25207-800-000	1 1/2" Suction Grate MIP This is VGBC (replaces SP1026 Grate)

WATERWAY



Imperial No.	Part Number	Description
WW6408249DKGV	640-8249-DKG V	6" Ultra Main Drain & Equalizer
WW6408240V	640-8240 V	1 1/2" Suction Grate MIP This is VGBC (replaces SP1026 Grate)

JETS & WALL FITTINGS

HAYWARD WALL FITTINGS



Imperial No.	Part Number	Description
151296	SPX0023Z12	Gasket Set of 2
141078	SP1408	1 1/2" x 1 1/2" Body & face Plate w/gaskets & screws. Combo locknut/spacer with face-thread in body.
HAYSP1408DGR	SP1408DGR	1 1/2" x 1 1/2" Body & face Plate w/gaskets & screws. Combo locknut/spacer with face-thread in body. Dark Gray
141076	SP1408S2	2" PVC Vinyl Wall Return Fitting - White
141071	SP1408S2DGR	2" PVC Vinyl Wall Return Fitting - Dark Gray
141079	SP1411	1 1/2" x 1 1/2" Fitting & Face Plate, with gaskets & screws
141080	SP1022	Concrete Wall Return Fitting (1 1/2" FIP x 2" MIP)
141068	SP1023	1 1/2" Body, lock nut & gaskets for Plastic Steps & Fiberglass pools
141081	SP1023G	1 1/2" Body, lock nut & gaskets, wall "sandwich" gasket for above ground pools.
HAYSP1023DGR	SP1023DGR	1 1/2" Body, lock nut & gaskets for Plastic Steps & Fiberglass pools Dark Gray
141077	SP1023S2	2" PVC FiberGlass Wall Return Fitting - White
141075	SP1023S2DGR	2" PVC FiberGlass Wall Return Fitting - Dark Gray

RETURN FACEPLATES



Imperial No.	Part Number	Description
151288	SPX1408B	Faceplate - white
HAYSPX1408BDGR	SPX1408BDGR	Dark Gray Faceplate for SP1408
HAYSPX1408BGR	SPX1408BGR	Gray Faceplate for SP1408
151290	SPX1408C	Gasket
151287	SPX1411B	Faceplate w/threads
151301	SPX1411Z12PAK2	Gasket
151291	SPX1039Z1A	Screw Set

HAYWARD HYDROSTREAMS



Imperial No.	Part Number	Description
141086	SP1419A	1 1/2" MIP Hydrosweep slotted opening.
141087	SP1419B	1 1/2" MIP Hydrostream 3/8" opening.
141088	SP1419C	1 1/2" MIP Hydrostream 1/2" opening.
141089	SP1419D50	1 1/2" MIP Hydrostream 3/4" opening.
141090	SP1419E	1 1/2" MIP Hydrostream 1" opening
149891	SP1418D	1 1/2" MIP Hydrostream w/Extended Flange-3/4" opening.
HAYSP1418DDGR	SP1418DDGR	1 1/2" MIP Hydrostream w/Extended Flange-3/4" opening. Dark Gray
HAYSP1419CGR	SP1419CGR	1 1/2" MIP Hydrostream 1/2" opening - Gray
HAYSP1419DDGR	SP1419DDGR	1 1/2" MIP Hydrostream 3/4" opening - Dark Gray
HAYSP1419DGR	SP1419DGR	1 1/2" MIP Hydrostream 3/4" opening - Gray
141092	SP1420	1 1/2" MIP Hydrostream, w/1" Nozzle.

CONSTRUCTION

WHITE GOODS

JETS & WALL FITTINGS

HAYWARD HYDROSTREAMS

Imperial No.	Part Number	Description
141085	SP1421D	1 1/2" Slip Hydrostream Inside Fitting 3/4" opening.

HAYWARD JETS



Imperial No.	Part Number	Description
141063	SP1434PAKA	1 1/2" Air x 1 1/2" Water Jet-Air III Common Body Assembly. White.
141061	SP1434PAKB	Vari-Flo Nozzle Assembly-Adjustable for Jet-Air III Body Assembly. White.
141083	SP14311	1 1/2" MIP x 1 1/2" MIP Jet-Air Deluxe Fitting. For in-pool installation-White.
141084	SP1430T	Jet-Air Nozzle Removal Tool.
149905	SP1450T	1 1/2" Skt. Turbo Boost Spa Jet Fitting-White (includes body w/ high flow directional nozzle, bulkhead fitting, gasket, and 1 1/2" sweep elbow)

AIR CONTROLS



Imperial No.	Part Number	Description
CMP25098000000	25098-000-000	1" White
149564	31932	1" Gray

CUSTOM MOLDED PRODUCTS

DIRECTIONAL FITTINGS



Imperial No.	Part Number	Description
CMP25552201000	25552-201-000	Directional Flow Outlet 1/2" - Light Gray
CMP25552204000	25552-204-000	Directional Flow Outlet 1/2" - Black
CMP25552207000	25552-207-000	Directional Flow Outlet 1/2" - Dark Gray
CMP25552239000	25552-239-000	Directional Flow Outlet 1/2" - Tan
CMP25552301000	25552-301-000	Directional Flow Outlet 3/4" - Light Gray
CMP25552304000	25552-304-000	Directional Flow Outlet 3/4" - Black
CMP25552307000	25552-307-000	Directional Flow Outlet 3/4" - Dark Gray
CMP25552339000	25552-339-000	Directional Flow Outlet 3/4" - Tan
CMP25552359000	25552-359-000	Directional Flow Outlet 3/4" - Light Blue
CMP25552369000	25552-369-000	Directional Flow Outlet 3/4" - Dark Blue
CMP25553300000	25553-300-000	Directional Flow Outlet, Flanged, 3/4" - White
CMP25553301000	25553-301-000	Directional Flow Outlet, Flanged, 3/4" - Light Gray
CMP25553304000	25553-304-000	Directional Flow Outlet, Flanged, 3/4" - Black
CMP25553307000	25553-307-000	Directional Flow Outlet, Flanged, 3/4" - Dark Gray
CMP25553309000	25553-309-000	Directional Flow Outlet, Flanged, 3/4" - Light Blue
CMP25553339000	25553-339-000	Directional Flow Outlet, Flanged, 3/4" - Tan
CMP25553369000	25553-369-000	Directional Flow Outlet, Flanged, 3/4" - Dark Blue

RETURN FACEPLATES



Imperial No.	Part Number	Description
CMP25545000000	25545-000-000	Faceplate For Vinyl Pool Return - White
CMP25545001000	25545-001-000	Faceplate For Vinyl Pool Return - Light Gray
CMP25545004000	25545-004-000	Faceplate For Vinyl Pool Return - Black
CMP25545007000	25545-007-000	Faceplate For Vinyl Pool Return - Dark Gray
CMP25545009000	25545-009-000	Faceplate For Vinyl Pool Return - Light Blue
CMP25545069000	25545-069-000	Faceplate For Vinyl Pool Return - Dark Blue

CONSTRUCTION

WHITE GOODS

JETS & WALL FITTINGS

MASSAGE JETS



Imperial No.	Part Number	Description
31933NG	31933NG	Gray Jet Body & Wall Fitting
WW2129177	212-9177	Spa Rotating Jets Gray, 1 1/2" MP
149550		Straight body Poly Jet - 1" Air x 1 1/2" Water w/deluxe roto internals for vinyl liner installations.
149561	212-9170	Rotating Massage Jet - Fits in existing wall fitting.

PENTAIR EYEBALLS



Imperial No.	Part Number	Description
149411	542002	1 1/2" White - Inside Slip
149412	542003	1 1/2" Black - Inside Slip

HOSE ADAPTERS



Imperial No.	Part Number	Description
141117	SPX1091Z7PAK2	Combo Male Hose Adapter / 2 Pak
141099	SPX1091Z4	1 1/2" MIP x 1 1/2" Hose-Male (Smooth) Adapter.
141100	SPX1105Z2	1 1/2" MIP x 1 1/4" Hose-Male (Smooth) Elbow Adapter.
141098	SPX1105Z3	90 Deg. Elbow Hose Adapter

MISCELLANEOUS CONSTRUCTION EQUIPMENT

CONSTRUCTION AIDS



Imperial No.	Part Number	Description
149250	208479	2" x 60 Yard Roll Duct Tape
149274	730BB/K3BB-2-1/2	3" Return Hole Punch
151659	ECX1308	"Schmear" Compound for Field Repairs (White)
GLAUC4442NT	UC4442NT	Diagonal 6" Radius foam corner filler 4"x4"x42"
PH203185	231508	String 270'
PH542292	542292	Marking Paint Spray can

SAFETY FENCE



Imperial No.	Part Number	Description
JPA14993100	14993-48	Safety Construction Fence - 4' x 100'
JPASFP	14645-5	Steel Fence Posts - 5'

UNDERWATER DRILL



Nemo is a submersible electric drill. Unlike pneumatic and hydraulic systems, which require compressors and tubing, the Nemo is battery powered, making it easy to use underwater and on dry land.

Imperial No.	Part Number	Description
149906	0225-0	UnderWater Drill Complete with Battery
149908	0225-1	Replacement Battery for UnderWater Drill (149906)

CONSTRUCTION

LINER VACS & LINE BLOWERS



Imperial No.	Part Number	Description
149815	UV PRO	UV Pro Liner vac/blower
149816	UV MAX	UV Max Liner vac/blower, 1.5 HP, 1200 cfm
149817	RSP40	Rigid suction pipe for 40" walls. Recessed neck to fit over coping, 3 chamber tube with multiple suction holes to prevent liner from sucking tight around it.
149684	41281002	Cyclone 3HP Vacuum/Blower with Heavy Duty 118" of water lift.
AS440456	440456	4 Inch Hose For Cyclone Liner Vac
149687	QV-3	QVAC - Super quiet vac complete with QFLEX adapter.
149685	SM-1	Q-VAC with Smart Box (automatic water and vac shut off attached.) With QFLEX adapter.
QVFLEX	QF-60	60" Flexible Hose for Q-VAC units

TRASH PUMP



Imperial No.	Part Number	Description
149818	PKS-65011	Unique design handles leaves and solids up to 5/8" diameter. Will fit in 6" main drain, 2" discharge
149819	A2X20SUC	12 ft rigid hose to prevent when going over pool edge
149820	A2X50DIS	50 ft in length, to be used with trash pump

LINER MULE



Imperial No.	Part Number	Description
149824	LM2	Tool that aids in placing vinyl liner in track

ELECTRICAL

GRAY CONDUIT



Imperial No.	Part Number	Description
CONDUIT101	63129	1" X 10' Length
CONDUIT1034	63128	3/4" X 10' Length
CONDCOUP1	KRY078003	1" Coupling
CONDADAPT1	104741	1" Male Adapt
CONDSWEEP1	KRY078542	1"x90 Degree Sweep Elbow
150125	SPX1250WA	6 ft. Cord Set

WATER BONDING



Imperial No.	Part Number	Description
PCBBSK20	PB-SK-20	Skimmer Water Bonding Fitting
CPBS680AG	BP680AG	Bond Safe 680 Pool Bonding Kit Aboveground Pool
CPBS680IG	BS680IG	Bond Safe 680 Pool Bonding Kit Inground Pool
PCPB2008	PB-2008	Water Bonding Fitting
PCPBAG	PB-AG	Bonding Fitting A/G Pump

LAWN TEMPLATES

POOL TEMPLATES



- Useful aid in laying out & positioning pool in customers backyard.
- Polypropylene material - full size - limited stock
- Additional sizes available - call for availability - all templates are net priced

Imperial No.	Part Number	Description
25318		18 x 43 Lazy El
35316		20 x 44 Lazy El
25311		15 x 26 Kidney
25312		16 x 30 Kidney
25313		16 x 34 Kidney
25310		18 x 36 Kidney

Raypak
A Rheem Company

CROSS
WINDTM



**KEEP THE FUN GOING
ALL YEAR LONG**

**WHISPER
QUIET**

**ENERGY
EFFICIENT**

**FEATURING
INVERTER
TECHNOLOGY**

Learn more at Raypak.com

OUR B2B SITE JUST GOT BETTER

We've made it even easier to do business. Scan the code below with your phone or tablet to get instant access to ordering, up-to-date inventory and current specials.



Visit us at imperialpools.com/b2b for the same experience.



Order online at: www.imperialpools.com/b2b

CONSTRUCTION

LAWN TEMPLATES

POOL TEMPLATES

Imperial No.	Part Number	Description
25334	M28019	16 x 33 Kidney
25324		16 X 34 X 25 Lagoon
25326		18 X 37 X 29 Lagoon
25327		20 X 42 X 31 Lagoon
25329	M10423	18 x 30 Mountain Pond
25235	M10135	20 x 34 Mountain Pond
25328	LAWN TEMPLATE	22 x 36 Mountain Pond
25332	M10421	24 x 40 Mountain Pond
25301		20 x 32 Mountain Lake
25302		20 x 37 Mountain Lake
25303		21 x 40 Mountain Lake
25315	M5341	23 x 37 Mountain Lake
25331	M10420	23 x 42 Mountain Lake
25304		24 x 44 Mountain Lake
25335	M10787	26 x 40 Mountain Lake

POOL BASE & FINISHES

DECK FINISH



Imperial No.	Part Number	Description
149713G	FD120C	Dove Grey
149713L	FD105C	Light Sand Buff
149713R	FD110C	Regular Sand Buff
DOSGG	4701032	Gray - 1 Gallon
DOSGW	4701031	White - 1 Gallon
SGMSCSP1DS	SCSP1DS	One Step Spray Deck - Desert Sand

POOL BASE



Imperial No.	Part Number	Description
149266	4070PP35	PreMix Pool Base 2 Cu. Ft. Bag.
149559	4071BL18	Vermiculite - 4 cubic ft. Bag
WHTVERM20LB	4071GR20	Vermiculite - 20# Bag
149037		Portland Cement - 47# Bag
149558		Portland Cement - 94# Bag

COVERAGE CHART

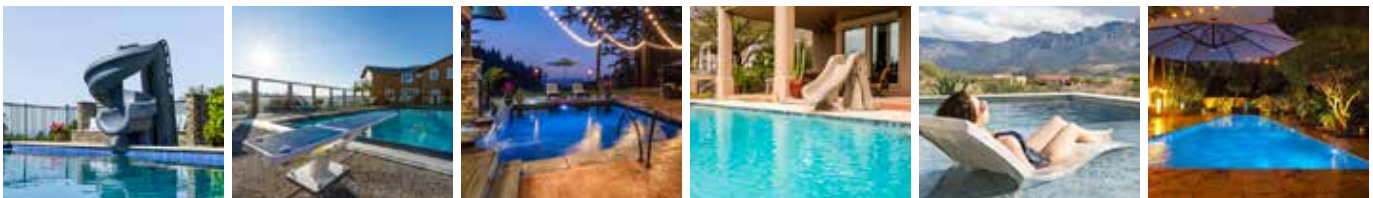
Pool Size	V-16	Pre-Mix
16 x 32 Rectangle	36 Bags	72 bags
16 x 36 Rectangle	40 bags	80 bags
18 x 36 Rectangle	43 bags	86 bags
20 x 40 Rectangle	54 bags	108 bags

Above chart is a guide for approximate coverage with a 2" bottom base. For additional information & technical data - www.schundler.com

INGROUND



When people want more from their pools, they choose S.R.Smith. For nearly 90 years, S.R.Smith has continued to evolve, innovate, and expand its pool-enhancing capabilities. Today we offer a broad range of solutions for pool owners and operators worldwide that promote fun, empower relaxation, elevate usability, and boost functionality. This is why our products are the first choice for enhancing pool lifestyles and why with a S.R.Smith product on your pool you will Pool **Better™**.



LEARN MORE AT [SRSMITH.COM/IMPERIALRC2021](https://www.srsmith.com/imperialrc2021)

INGROUND

THE Best COVERS MADE IN AMERICA

WATER BAGS



DOMESTIC VINYL

Available in 8 & 10 feet
Colors: Blue, Tan & Black

WOVEN POLY COVER



ARMORKOTE

30% lighter and 50% stronger
20 year warranty

ENVIRO COVER



ENVIRO COVER

Strongest mesh cover available
Allows water to filter into the pool without the cover fraying

LEAF NETS



The ONLY Leaf Nets still made in America



Ask your Imperial Customer Care Representative for more information on all GATORHYDE products.

INGROUND STAIRS & SPAS



STEEL RETRO CORNER STAIRS

Note : All Retro Corner Stair prices are net. Please contact your Imperial Pool branch for more Retro Stair options.



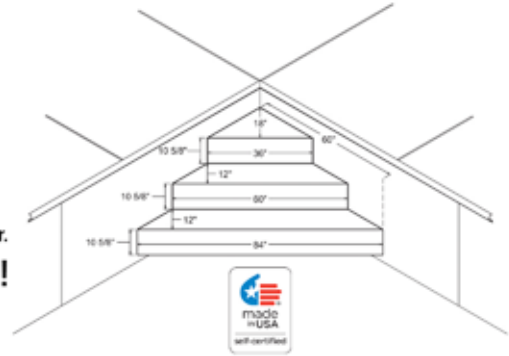
Imperial No.	Description
04905	7' Retro Steel Corner Stair - 90 degree
04906	7' Retro Steel Corner Stair - 6" R
04907	7' Retro Steel Corner Stair - 2 1/4" Diagonal
04910	9' Retro Steel Corner Stair - 90 degree
04911	9' Retro Steel Corner Stair - 6" R
04912	9' Retro Steel Corner Stair - 2 1/4" Diagonal

ADD A STAIR TO AN EXISTING POOL.

No need to tear up the deck or take out panels.

Give that new pool feeling to an old pool with a Retro Corner Stair and a new liner.
(Includes: nuts, bolts and stair rods) Custom models available to fit almost any corner.

EASY TO INSTALL! BOLTS TOGETHER IN MINUTES!



THERMOPLASTIC STEPS

STEP N REST



Imperial No.	Part Number	Description
07418SNRBG	07418SNRBG	8' - 4 Tread Step-N-Rest Trimline - Blue Granite
07416SNR	07416SNR	6' - 4 Tread Step-N-Rest Trimline
07416SNRC	07416SNRC	6' - 4 Tread Step-N-Rest Cantilever
07416SNR-GRAY		6' - 4 Tread Step-N-Rest Trimline- Gray
07416SNRCGRAY	07416SNRCGRAY	6' - 4 Tread Step-N-Rest Cantilever- Gray
07418SNR	07418SNR	8' - 4 Tread Step-N-Rest Trimline
07418SNRC	07418SNRC	8' - 4 Tread Step-N-Rest Cantilever
07418SNR-GRAY	07418SNR-G	8' - 4 Tread Step-N-Rest Trimline -Gray
07418SNRCGRAY	07418SNRC-G	8' - 4 Tread Step-N-Rest Cantilever - Gray
07418SNRGG	07418SNRGG	8' Step-N-Rest - 4 Tread - Trimline - Gray Granite
07418SNRCGG	07418SNRCGG	8' Step-N-Rest - 4 Tread - Cantilever - Gray Granite
07418SNRCBG	07418SNRCBG	8' - 4 Tread Step-N-Rest Cantilever - Blue Granite
07418SNR48	07418SNR-48	8' - 4 Tread Step-N-Rest Trimline 48"
07418SNRC48	07418SNRC-48	8' - 4 Tread Step-N-Rest Cantilever 48"

RADIUS STEP N REST



Imperial No.	Part Number	Description
07418RSNRBG		8' Radius Step-N-Rest - Trimline - Blue Granite
07416RSNR	07416RSNR	6' - 4 Tread Radius Step-N-Rest Trimline
07416RSNRC	07416RSNRC	6' - 4 Tread Radius Step-N-Rest Cantilever
07418RSNR	07418RSNR	8' - 4 Tread Radius Step-N-Rest Trimline
07418RSNRC	07418RSNRC	8' - 4 Tread Radius Step-N-Rest Cantilever
07418RSNR-GRAY	07418RSNR-G	8' - 4 Tread Radius Step-N-Rest Trimline Gray
07418RSNRCGRAY	07418RSNRC-G	8' - 4 Tread Radius Step-N-Rest Cantilever Gray
07418RSNRGG	07418RSNRGG	8' Radius Step-N-Rest - Trimline - Gray Granite
07418RSNRCGG	07418RSNRCGG	8' Radius Step-N-Rest - Cantilever - Gray Granite
07418RSNRCBG	07418RSNRCBG	8' Radius Step-N-Rest Blue Granite
07418RSNR48	07418RSNR-48	48" - 8' - 4 Tread Radius Step-N-Rest Trimline
07418RSNRC48	07418RSNRC-48	48" - 8' - 4 Tread Radius Step-N-Rest Cantilever

INGROUND STAIRS & SPAS



THERMOPLASTIC STEPS

STEP N SPA



Imperial No.	Part Number	Description
07418SNL	07418SNL	8' Step-N-Spa Trimline
07418SNLC	07418SNLC	8' Step-N-Spa Cantilever
07418SNL-GRAY	07418SNL-GRAY	8' Step-N-Spa Trimline-Gray
07418SNLCGRAY	07418SNLC-G	8' Step-N-Spa Cantilever - Gray

RADIUS STEP N SPA



Imperial No.	Part Number	Description
07418RSNS	07418RSNS	8' Radius Step-N-Spa (4 Tread) - Trimline
07418RSNSC	07418RSNSC	8' Radius Step-N-Spa (4 Tread) - Cantilever
07418RSNS-GRAY	07418RSNS-G	8' Radius Step-N-Spa (4 Tread)-Trimline Gray

LAZY LOUNGE



Imperial No.	Part Number	Description
07415LL	07415LL	6' Lazy Lounge - Trimline
07415LLC	07415LLC	6' Lazy Lounge - Cantilever
07415LLGG	07415LLGG	6' - Radius Lazy Lounge - Trimline - Gray Granite

RADIUS LAZY LOUNGE



Imperial No.	Part Number	Description
07415RLL	07415RLL	6' Radius Lazy Lounge - Trimline
07415RLLC	07415RLLC	6' Radius Lazy Lounge - Cantilever

PLUMBING KITS



Imperial No.	Description
149574	6' Lazy Lounge Plumbing Kit - includes 1 diverter valve, 1 top draw air control, 4 SP-1434PAKA Jet-Air Bodies, 2 SP1434PAKB Vari-Flo nozzle, 1 SP1435PAKB Comfort-Flo nozzle, 1 SP1436PAKB Pulse-Flo nozzle, and various pipe fittings
149574G	6' Lazy Lounge Plumbing Kit - Grey fittings
149586	Step N Spa Hydrotherapy Plumbing Kit - includes 1 diverter valve, 1 top draw air control, 3 SP1434PAKA Jet-Air Bodies, 1 SP1434PAKB Vari-Flo nozzle, 1 SP1435PAKB Comfort-Flo nozzle, 1 SP1436PAKB Pulse-Flo nozzle, and various pipe fittings
149586G	Step N Spa Hydrotherapy Plumbing Kit - Grey fittings.

ROMAN



Imperial No.	Part Number	Description
07418RMCBG	07418RMCBG	8' Step - 4 Tread Roman - Cantilever - Blue Granite
07418ROM	07418ROM	8' Step - 4 Tread Roman Trimline
07418RMC	07418RMC	8' Step - 4 Tread Roman - Cantilever
07418RMCGG	07418RMCGG	8' Step - 4 Tread Roman - Cantilever - Gray Granite
07418ROMGG	07418ROMGG	8' Step - 4 Tread Roman - Trimline - Gray Granite

INGROUND STAIRS & SPAS



THERMOPLASTIC STEPS

RADIUS ROMAN



Imperial No.	Part Number	Description
07418RRMCBG	07418RRMCBG	8' Radius Roman Step - 4 Tread - Cantilever - Blue Granite
07418RRROM	07418RRROM	8' - 4 Tread - Radius Roman - Trimline
07418RRMC	07418RRMC	8' - 4 Tread - Radius Roman - Cantilever
07418RRROMGG	07418RRROMGG	8' Radius Roman Step - 4 Tread - Trimline - Gray Granite
07418RRMCGG	07418RRMCGG	8' Radius Roman Step - 4 Tread - Cantilever - Gray Granite

SWIM OUT



Imperial No.	Part Number	Description
07416SNL	07416SNL	6' Swim Out Step Trimline
07416SNLC	07416SNLC	6' Swim Out Step Cantilever
07416SNLCGRAY	07416SNLC-G	6' Swim Out Step Cantilever - Gray

CORNER STEP



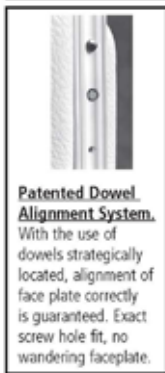
Imperial No.	Part Number	Description
0741390CSCBG	0741390CSCBG	Corner Step - True 90 Degree - Cantilever (3 Tread) - Blue Granite
074132CSC	074132CSC	Corner Step - 2' Radius - Cantilever (3 tread)
0741390CSC	0741390CSC	Corner Step - True 90 Degree - Cantilever (3 tread)
0741390CSCGG	0741390CSCGG	Corner Step - True 90 Degree - Cantilever (3 Tread) - Gray Granite

RECESSED LADDER



Imperial No.	Part Number	Description
07412L	07412L	2' In Wall Ladder
07412L-GRAY	07412L-G	2' In Wall Ladder - Gray
07412LGG	07412LGG	2' In Wall Ladder - Gray Granite
07412LBG	07412LBG	2' In Wall Ladder - Blue Granite
07412L48	07412L-48	2' In Wall Ladder for 48"

SARATOGA STEPS FACEPLATE SYSTEM



Imperial No.	Part Number	Description
SAR00468G		Gray Universal co-extruded faceplate & gasket set complete [Works on new and old style Saratoga step designs and most other brands in the field. Steps up to 8' wide
SAR00468W		White Universal co-extruded faceplate & gasket set complete [Works on new and old style Saratoga step designs and most other brands in the field. Steps up to 8' wide
SAR10510	10510N	8' Extruded Faceplate with gasket
SAR10510G		8' Gray Extruded Faceplate with gasket
SAR10512	10512N	3' Faceplate with gasket
SAR10512G		3' Gray Extruded faceplate with gasket
SAR10513	10513	8' White faceplate cover-new style
SAR10513G		8' Gray faceplate cover -new style
SAR10515	10515	3' White faceplate cover -new style
SAR10515G		3' Gray faceplate cover -new style
SAR10706		Screw set- 80 pieces
SAR10903	10903	White faceplate end cap-new style
SAR10903G		Gray faceplate end cap-new style
SAR70952	70952	Torx Drive Bit- T25

INGROUND

STAIRS & SPAS

LEDGE LOUNGER CHAIR



The Signature Chair is an upright, high back in-pool seat that offers the ultimate comfort. With superb lumbar and back support, you can sit up and enjoy the view, a book, or a cold beverage. Designed for use on a ledge with water depths up to 9 inches, and also works great on the deck or in the sand. The Chair's unique curvature and smooth finish is an eye-catching addition to any outdoor scene.

Imperial No.	Part Number	Description
LLSGCRW	LL-SG-CR-W	Chair - White

CHAISE



The Signature Chaise provides a stylish, contoured place to relax on your tanning ledge. The original, eye-catching Ledge Lounger design that is seen on pool ledges around the world, the Chaise is designed for shallow areas with water depths of 0-9 inches. The Chaise transforms your pool's ledge into the ultimate place to relax and soak up the sun.

Imperial No.	Part Number	Description
LLSGCCL	LL-SG-C-CL	Chaise - Cloud
LLSGCW	LL-SG-C-W	Chaise - White

CHAISE DEEP



The Signature Chaise Deep provides a stylish, contoured place to relax on your tanning ledge. With the same sleek look as the original Chaise, but designed for a different water depth, the Chaise Deep is for deeper areas with water depths of 10-15 inches or can be used on the deck. The Chaise Deep transforms your pool's ledge into the ultimate place to relax and soak up the sun.

Imperial No.	Part Number	Description
LLSGCDCL	LL-SG-CD-CL	Chaise Deep - Cloud
LLSGCDW	LL-SG-CD-W	Chaise Deep - White

SIDE TABLE



The Signature 14-Inch Side Table is a staple for creating the perfect pool scene with space for a book, beverage, and umbrella. No umbrella sleeve? No problem. The 14-Inch Side Table serves as an umbrella base, or it can pair with a built-in umbrella sleeve for added stability. The 14-Inch Side Table is designed for use on a ledge with water depths up to 10 inches or on a deck. The Signature 22-Inch Side Table combines the functionality of the Ice Bin Side Table and the sleekness of the 14-Inch Side Table. The Table can hold up to 10 cans and has a removable lid. Create a shaded relaxation space on your ledge by pairing the 22-Inch Side Table with an umbrella. No umbrella sleeve? No problem. The 22-Inch Side Table serves as an umbrella base, or it can pair with a built-in umbrella sleeve for added stability. Designed for use on a ledge with water depths up to 15 inches or on a deck.

Imperial No.	Part Number	Description
LLSGST14HW	LL-SG-ST-14H-W	14" Side Table With Umbrella Hole - White
LLSGST22LHW	LL-SG-ST-22LH-W	22" Side Table With Lid And Umbrella Hole - White

INGROUND STAIRS & SPAS

WHITEWAVE SPILLOVER SPAS



Imperial No.	Part Number	Description
84781PGG		78" Round Gray Granite - Plumbed
84781PWHP	SPSSWH	78" Round White - Plumbed
84861PBG		86" Square - Blue Granite
84861PGG		86" Square - Gray Granite
84861WHP		86" Square - White
84921PBG	84921PBG	92" Round - Blue Granite
84921WHP	SPS6WH	92" Model White - Plumbed
84921GRP	SPS6GY	92" Model Gray - Plumbed
84921PGG		92" Model Gray Granite - Plumbed
149778	501258	92" Spillover Spa Cover -Ash Grey

WHITEWAVE POOLSIDE SPAS



Imperial No.	Part Number	Description
84923WHP	SPP6WH	92" Model White - Plumbed
84923PGG		92" Model Gray Granite - Plumbed
149805	501258	92" Poolside Spa Cover - Ash Grey

WHITEWAVE SPA PARTS

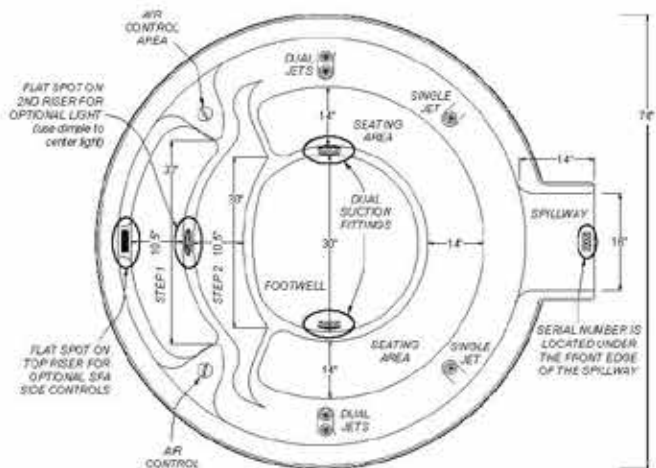


Imperial No.	Part Number	Description
WW2106040	31934N	Adjustable Poly Jet, White
31935N		Adjustable Poly Jet, Gray
WW2181770A	218-1770A	Jet Removal Tool For Saratoga Spill over spas
31897C	31897C	Suction Cover, White
31785C	31785C	Suction Cover, Gray
31785SCREW	31785SCREW	Screw for Suction Grate [sold each]

WHITEWAVE SPA COVERS



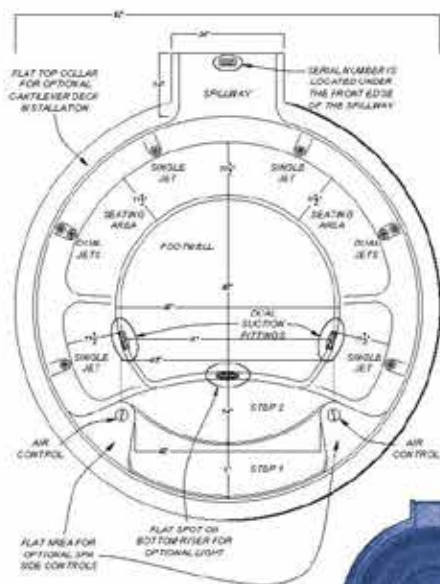
Imperial No.	Part Number	Description
149778	501258	92" Spillover Spa Cover -Ash Grey
149805	501258	92" Poolside Spa Cover - Ash Grey



78" Spillover Spa

- 💧 78" diameter*
- 💧 33" depth
- 💧 250 gallons average fill
- 💧 4-6 person seating capacity
- 💧 6 Hydrotherapy Jets
- 💧 2 air controls
- 💧 2 suction fittings
- 💧 Available in White, Blue Granite, and Gray Granite

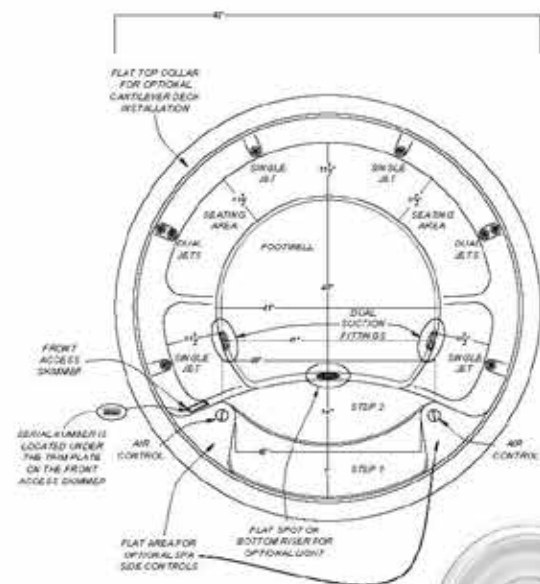
Sample in gray granite



92" Spillover Spa

- 💧 92" diameter*
- 💧 33" depth
- 💧 425 gallons average fill
- 💧 6-8 person seating capacity
- 💧 8 Hydrotherapy Jets
- 💧 2 air controls
- 💧 2 suction fittings
- 💧 Available in White, Blue Granite, and Gray Granite

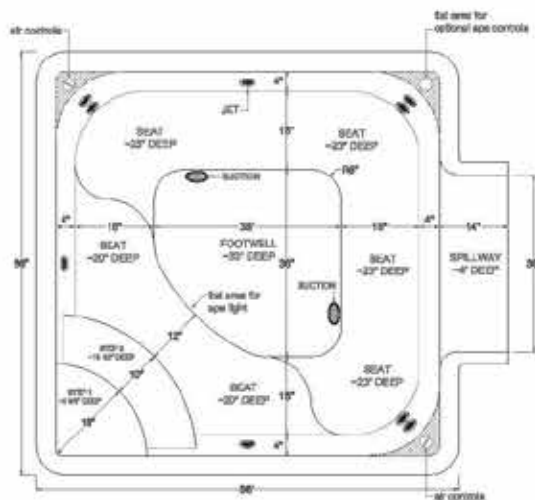
Sample in blue granite



92" Poolside Spa

- 💧 92" diameter*
- 💧 33" depth
- 💧 425 gallons average fill
- 💧 6-8 person seating capacity
- 💧 8 Hydrotherapy Jets
- 💧 2 air controls
- 💧 2 suction fittings
- 💧 Available in White, Blue Granite, and Gray Granite

Sample in white



"DIAMETER DIMENSIONS ARE NOMINAL AND CAN FLUCTUATE 1/4" TO 1/2"

86" Square Spillover Spa

- 💧 86" square*
- 💧 33" depth
- 💧 483 gallons average fill
- 💧 6-8 person seating capacity
- 💧 9 Hydrotherapy Jets
- 💧 2 air controls
- 💧 2 suction fittings
- 💧 Available in White, Blue Granite, and Gray Granite

Sample in gray granite



**The
vinyl[®]
works**



The Vinyl Works
**Interior Finishes™
Collection**

www.thevinylworks.com

PERFECT SEAM[®]
TECHNOLOGY



Interior Finishes™ Collection & Water Color Guide

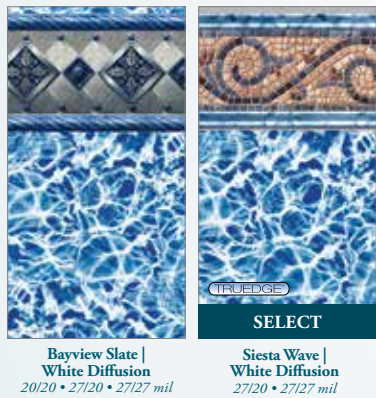
www.thevinylworks.com

One of the most important features of your pool is its interior surface, which is why we offer finishes that provide upscale beauty and peace of mind for years to come. **Our Interior Finishes™ are soft to the touch, resistant to ultraviolet rays and bacterial growth, and custom-manufactured for an exact fit.** They are also far easier to clean than other surfaces, meaning less time working on your pool, and more time swimming in it!

Aqua



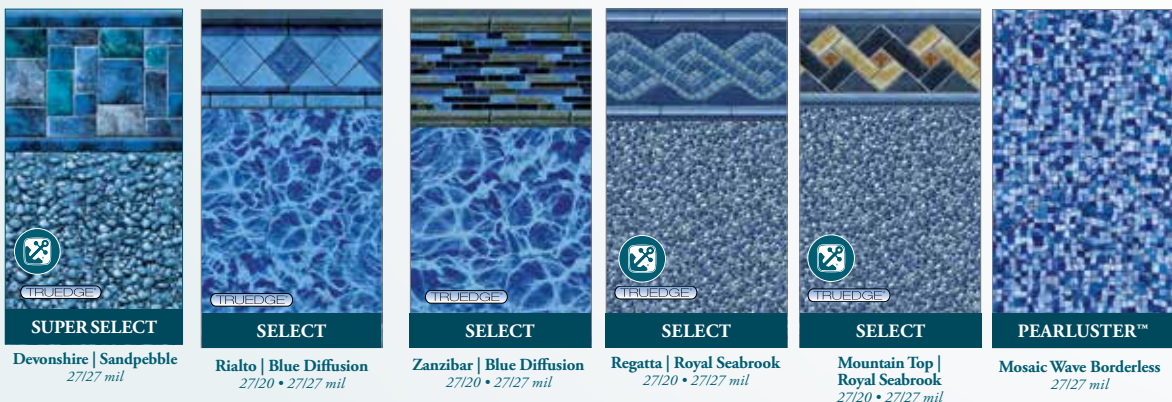
Light



Medium



Medium

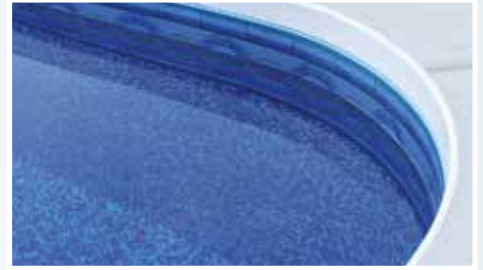


Liner colors in this brochure are representational of actual material and slight variations in color may occur. Due to the nature of vinyl film and various pool angles, the likelihood of geometric floor tiles aligning is improbable. Please contact your Vinyl Works Dealer for actual samples.

PERFECT SEAM[®] TECHNOLOGY

Perfection is improving something until it is as flawless as possible.

We have invested in state-of-the-art manufacturing equipment and combined it with time tested sealing methods. This allows us to make an interior pool finish that is as flawless as possible with seams that are less noticeable, strong and water tight!



PERFECT SEAM TECHNOLOGY

Our Interior Pool Finishes™ are the finest made in the market today.

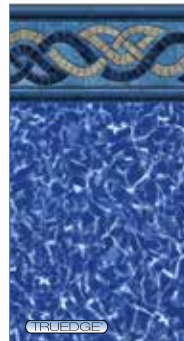
Dark



Twilight | Sundance
27/20 • 27/27 mil



Brussels | Sundance
20/20 • 27/20 • 27/27 mil



Colorado | Sundance
20/20 • 27/20 • 27/27 mil



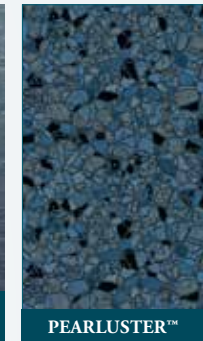
Bethany Wave | Brilliant Bahama
20/20 • 27/20 • 27/27 mil



Napa Estates | Brilliant Bahama
20/20 • 27/20 • 27/27 mil



PEARLUSTER™ & EMBOSSED
Blue Ridge Slate Embossed Borderless
27/27 mil



PEARLUSTER™
Sea Stone Marble Borderless
27/27 mil

TRUEDGE

Our **TRUEDGE™** design technology enhances the visual appeal of your pool by eliminating the unnatural line of color at the edge of most pool interior surfaces, giving your sidewall the true look of tiling craftsmanship.

SELECT & SUPER SELECT SERIES

Upgrade your interior pool finish for additional protection against the elements and greater peace of mind:

SELECT SERIES features a 27 mil wall and a 20 mil floor thickness, for added protection where it's needed most.

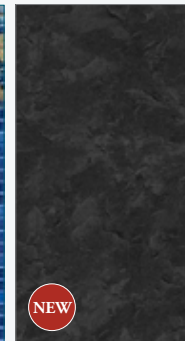
SUPER SELECT SERIES offers a 27 mil wall and a 27 mil floor, giving you the ultimate protection.



Hudson | Plaza
27/20 • 27/27 mil



Bourbon Street | Plaza
20/20 • 27/20 • 27/27 mil



Black Slate Borderless
27/27 mil



Gray Granite Borderless
27/27 mil

pearluster

INTERIOR FINISHES™

is an additional topcoat that gives your pools interior finish a mother-of-pearl luminance that actually shimmers as it basks in the sun's light. This is the latest in interior pool finish technology. We have 3 Pearluster™ Interior Finishes™ for you to choose from. All beautifully designed for your swimming pleasure.



Exclusive Liner

All pool photos were shot in natural light at different times of day and in different weather conditions. The actual water color will differ from these photos. Use the water color guide to help determine your actual water color.



Borderless & Impressions



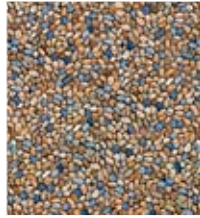






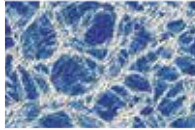
www.thevinylworks.com


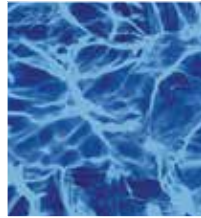
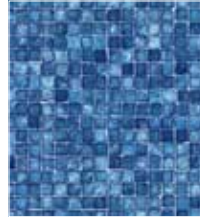
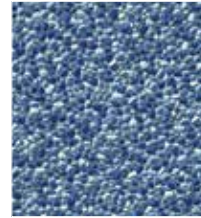




Borderless Patterns


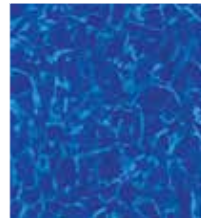
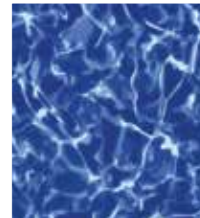







No interest in a tile design? No problem! Your floor pattern can extend all the way up the sidewall. **The choice is yours!**

Impressions - 27 Mil

For your pool entry system, we offer "Impressions," a textured slip-resistant print design built for added comfort and safety to this high-traffic area.*

Aqua				Light			
Quartzite 20 & 27 Mil 	Sandstone 20 & 27 Mil 	Del Caribe 27 Mil 	Azure Mosaic 27 Mil 	White 25 Mil 	Lt Blue 25 Mil 	White Diffusion 20 & 27 Mil 	
				SUPER SELECT			
				Impressions Not Available NOTE: White and Light Blue are offered as gently embossed, soft to the touch material.			

Medium					
Blue Crystal 20 & 27 Mil 	Blue Diffusion 20 & 27 Mil 	Mosaic 20 & 27 Mil 	Royal Seabrook 20 & 27 Mil 	Sandpebble 27 Mil 	Moasic Wave 27 Mil 
				PEARLUSTER™	
					

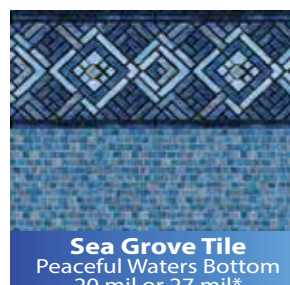
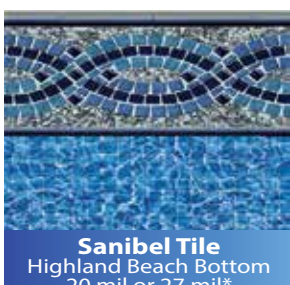
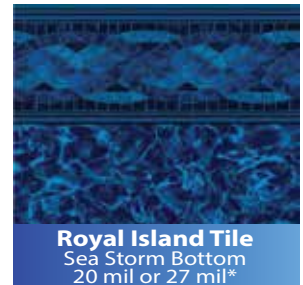
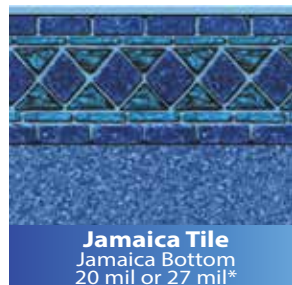
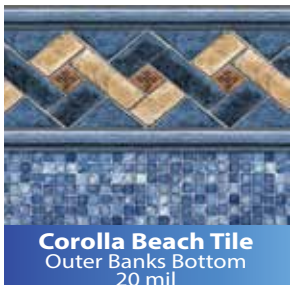
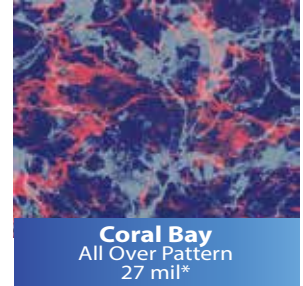
Dark						
Black Slate 27 Mil 	Brilliant Bahama 20 & 27 Mil 	Sundance 20 & 27 Mil 	Plaza 20 & 27 Mil 	Gray Granite 27 Mil 	Seastone Marble 27 Mil 	Blue Ridge Slate Embossed 27 Mil 
					PEARLUSTER™	
						PEARLUSTER™ & EMBOSSED

*Impressions material hue may vary slightly in appearance.

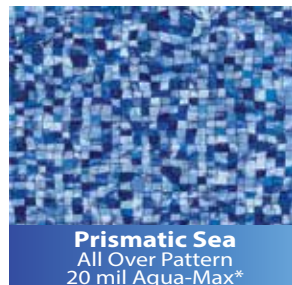
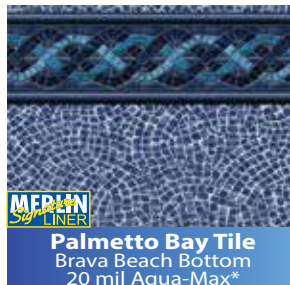
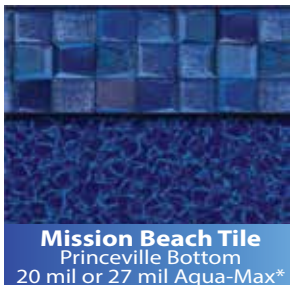


INGROUND VINYL LINERS

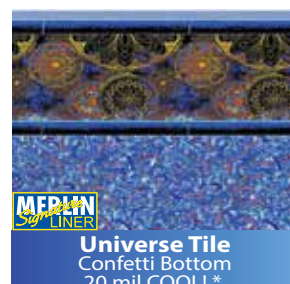
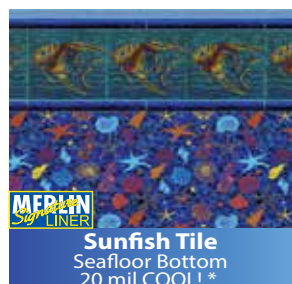
20 mil or 27 mil* Patterns



AquaMax* - greater ultraviolet resistance - greater resistance to chemical misuse - more antifungal & anti-bacterial protection



COOL! Holographic Liners* - comes with two pairs of glasses and two goggles to view the holographic experience!

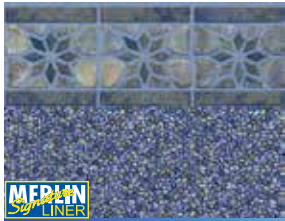


COOL! Holographic Liners use innovative technology to create an immersive and holographic experience!

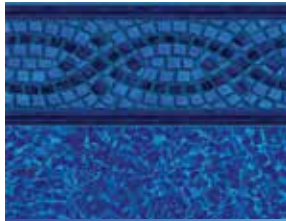
* - indicates an upcharge applies

INGROUND VINYL LINERS

Value Max Patterns



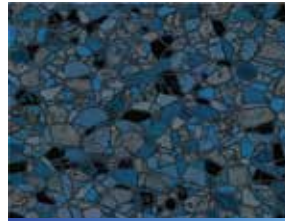
Cape Elizabeth Tile
Oceanside Bottom
27 mil Wall, 20 mil Bottom



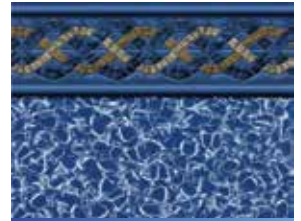
Diamond Cliff Tile
Blue Pointe Bottom
27 mil Wall, 20 mil Bottom



Eagle Beach Tile
Gold Coast Bottom
27 mil Wall, 20 mil Bottom



Holden Beach
All Over Pattern w/ Luster
27 mil Wall, 20 mil Bottom*



Key Largo Tile
Blue Lagoon Bottom
27 mil Wall, 20 mil Bottom



Luxe Gemstone Tile
Ocean Breeze Bottom
27 mil Wall, 20 mil Bottom



Magnolia Tile
Peaceful Waters Bottom
27 mil Wall, 20 mil Bottom



Marco Island Tile
Morro Bay Bottom
27 mil Wall, 20 mil Bottom



Messina Tile
Turquoise River Bottom
27 mil Wall, 20 mil Bottom



Sandy Cay Tile
Runaway Bay Bottom
27 mil Wall, 20 mil Bottom



Siesta Key Tile
Blue Reef Bottom
27 mil Wall, 20 mil Bottom

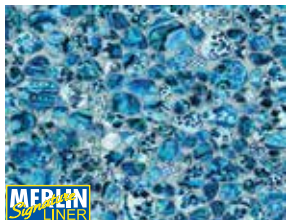


Valencia Tile
Ocean Mist Bottom
27 mil Wall, 20 mil Bottom

Super Value Max

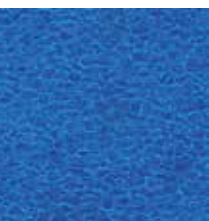


Hampton Bays Tile
Blue Lagoon Bottom
27 mil Wall, 27 mil Bottom



Stone Jewel
All Over Pattern
27 mil Wall, 27 mil Bottom

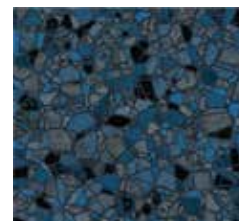
Aqua Intense* - stylish, stunning, and unique liners crafted with textured vinyl and/or luster inks.



Amelia Island
All Over Textured Pattern
27 mil*



Caswell Beach Tile
Sandy Point Bottom
27 mil (all textured)*



Holden Beach
All Over Pattern w/ Luster
27 mil Wall, 20 mil Bottom*



Opal Bay
All Over Pattern w/ Luster
27 mil*



Shelter Cove
All Over Textured w/ Luster
27 mil*



Sterling Shore
All Over Textured w/ Luster
27 mil*

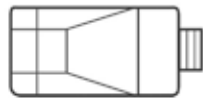
* - indicates an upcharge applies

INGROUND

Pool Kits

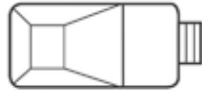
Rectangle 6" Radius

12 x 24 18 x 36
14 x 28 20 x 40
16 x 32



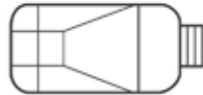
Rectangle 2' Radius

12 x 24
16 x 32
18 x 36
20 x 40



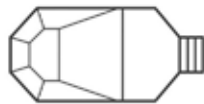
Rectangle 4' Radius

16 x 32
18 x 36
20 x 40



Grecian

15 x 29 18 x 37
17 x 33 20 x 36
17 x 37 20 x 40



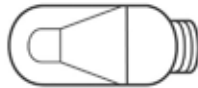
Patio

20 x 20
24 x 24



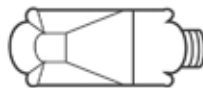
Oval

16 x 32
18 x 36
20 x 40



Roman End

16 x 37
18 x 41
20 x 43



Kidney

15 x 26 18 x 36
16 x 30 20 x 40
16 x 33



Mountain Lake

20 x 32 23 x 42
20 x 37 24 x 44
21 x 40 26 x 40
23 x 37



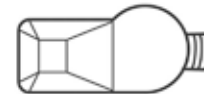
Mountain Pond

18 x 30
20 x 34
22 x 36
24 x 40



Keyhole

16 x 32
18 x 36
20 x 40



Lagoon

16 x 34 x 25
18 x 37 x 29
20 x 42 x 31



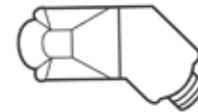
Grecian Lazy El

17 x 39
20 x 44



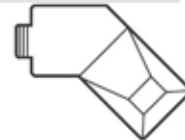
Roman Lazy El

18 x 44



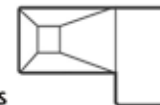
Lazy El - 2' Radius

18 x 43



True El - 2' Radius

18 x 37 x 26



True El - 2' Radius with 2' Reverse Radius

16 x 37 x 24
18 x 37 x 26
20 x 43 x 28

Steel Pools Packages

- All Steel Panels - straight & radius - with full 5" Top & Bottom Flanges - G235 Zinc Galvanized Panels
- All 8' Panels include two mid-wall stiffeners
- Adjustable a-frame bracing
- Complete hardware package
- Accessory Package - skimmer, return fittings, safety rope & floats

Options & Accessories

- Stairs - Saratoga Thermoplastic Steps / Steel Stair Kits
- Lights - Coping - Extra Returns - Extra Skimmers

For Additional product information and kit pricing contact your local Imperial Distribution Center.



INGROUND

DECK EQUIPMENT

SR SMITH HANDRAILS & LADDERS

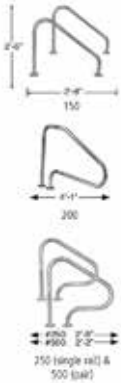
HANDRAILS

STAINLESS STEEL HANDRAILS



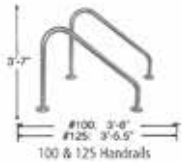
Imperial No.	Part Number	Description
149602	IMP-100	100 Handrails - Pair 44"
149607	50-903	125 Handrails - Pair 41 1/2"
149603	50-770	150 Handrails - Pair 32"
149604	DMS-101A	200 Center Handrail 49"
149605	G3D049-SINGLE	250 Grab Rail 30"
149606	F4H-102	500 Grab Rail - Pair 26"
INFD4BD049	DMS-102A	Center "Dipping" Handrail for Interior Stairs 55"

POWDER COATED HANDRAILS



Imperial No.	Part Number	Description
149602C	IMP-100-4	100 Handrails - Pair 44" - Copper Vein
149602HG	IMP-100-6	100 Handrails - Pair 44" - Hammertone Gray
149602LG	IMP-100-9	100 Handrails - Pair 44" - Light Gray
149607C	IMP-125-4	125 Handrails - Pair 41 1/2" - Copper Vein
149607HG	IMP-125-6	125 Handrails - Pair 41 1/2" - Hammertone Gray
149607B	IMP-125-2	125 Handrails - Pair 41 1/2" - Black
149603C	IMP-150-4	150 Handrails - Pair 32" - Copper Vein
149603HG	IMP-150-6	150 Handrails - Pair 32" - Hammertone Gray
149603B	IMP-150-2	150 Handrails/pair 32" - Black
149604C	D4D049-4	200 Center Handrail 49" - Copper Vein
149604HG	DMS-101A-RG	200 Center Handrail 49" - Hammertone Gray
149604LG	D4D049-9	200 Center Handrail 49" - Light Gray
149605C	G3D049-SINGLE-4	250 Grab Rail 30" - Copper Vein
149605HG	G3D049-SINGLE-6	250 Grab Rail 30" - Hammertone Gray
149605LG	G3D049-SINGLE-9	250 Grab Rail 30" - Light Gray
149606C	G3DE049-4	500 Grab Rail 26" - Pair - Copper Vein
149606HG	G3DE049-6	500 Grab Rail 26" - Pair - Hammertone Gray
149606LG	G3DE049-9	500 Grab Rail 26" - Pair - Light Gray

THERMOPLASTIC COATED HANDRAILS



Imperial No.	Part Number	Description
149604TPCG	DMS-101A-VG	200 Thermo Plastic Coated Handrail Gray
149604TPCT	DMS-101A-VT	200 Thermo Plastic Coated Handrail Tan
149604TPCW	DMS-101A-VW	#200 Thermo Plastic Coated Handrail White

DESIGNER SERIES HANDRAILS



Imperial No.	Part Number	Description
INFDRD2D30065	DR-D2D3.0065	36" Designer Side Stair Rail (Pair)
INFDRD3D50065	DR-D3D50065	Designer Center Stair Rail
INFDRG3D065S	DR-G3D065-SINGLE	Designer Grab Rail - Single

LADDERS

STAINLESS STEEL LADDERS



Imperial No.	Part Number	Description
149600	VLLS-103E	300 Concrete Ladder
149601	PLL-12E-3B	400 Coping Ladder

INGROUND DECK EQUIPMENT

SR SMITH HANDRAILS & LADDERS

LADDERS

POWDER COATED LADDERS



Imperial No.	Part Number	Description
149600HG	VLLS-103S-RG	Concrete Ladder, Deck Mount - Hammertone Gray
149600LG	L3E049S-9	Concrete Ladder, Deck Mount - Light Gray
149600S	VLLS-103S-TP	Concrete Ladder, Deck Mount - Earth tone
149600W	VLLS-103S-PW	Concrete Ladder, Deck Mount - White
149601C	IMP-400S-4	400 Ladder Copper Vein
149601HG	IMP-400S-6	Coping Ladder, Coping Mount - Hammertone Gray
149601LG	IMP-400S-9	Coping Ladder, Coping Mount - Light Gray
149601S	IMP-400S-3	Coping Ladder, Coping Mount - Earth tone
149601W	IMP-400-1	Coping Ladder, Coping Mount - White - Non-Powder Coated Treads

THERMOPLASTIC COATED LADDERS

Note: Thermoplastic ladders and handrails are salt friendly.



Imperial No.	Part Number	Description
149600TPCG	VLLS-103E-VG	300 Thermo Plastic Coated Ladder Gray
149600TPCT	VLLS-103E-VT	300 Thermo Plastic Coated Ladder Tan
149600TPCW	VLLS-103E-VW	300 Thermo Plastic Coated Ladder White

DESIGNER SERIES LADDERS



Imperial No.	Part Number	Description
INFDR13065SSUT	DR-L3065S	Designer 3-Step Ladder (Stainless Steel Treads)

GLOBAL POOL PRODUCTS HANDRAILS AND LADDERS



Imperial No.	Part Number	Description
GPP013	GPP-RL-C49-4BND-SS	Classic 4 Bend Handrail
GPP019	GPP-LD-C49-3ST-SS	Classic 3 Step Ladder

IN-POOL/SPA TABLES & SEATS

Tables are 30" round with 54" stainless steel support pole (48" finished height with anchor). Seats are 16" round with 42" stainless steel support pole (36" finished height with anchor). The tables and seats listed below are for vinyl liner new construction. Tables and seats come with vinyl anchor. Other options and colors are available.



Imperial No.	Part Number	Description
149024	VL-POOLTABLE-51-C	30" Pool/Spa Table - Tan
149025	VL-POOLTABLE-52-C	30" Pool/Spa Table - Gray
149026	VL-POOLSEAT-51-C	16" Pool Seat - Tan
149027	VL-POOLSEAT-52-C	16" Pool Seat - Gray
INFVANCHOR	VL-ANCHOR 1.90	Vinyl Liner Pool Anchor

IN-GROUND HANDRAILS & LADDERS

RAIL & LADDER ACCESSORIES

LADDER ACCESSORIES



Imperial No.	Part Number	Description
149610	PS-3019-A	3" Aluminum Concrete Socket
149610B	PS-3019-B	3" Bronze Concrete Socket
149611	PS-4019-A	4" Aluminum Concrete Socket
149611B	PS-4019-B	4" Bronze Concrete Socket
141276	SP1392	4 Inch ABS Concrete Socket
SAANCH1	25572-400-000	4" Non-Corroding Concrete Socket

INGROUND

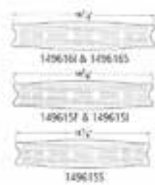
DECK EQUIPMENT

IN-GROUND HANDRAILS & LADDERS RAIL & LADDER ACCESSORIES

LADDER ACCESSORIES

Imperial No.	Part Number	Description
149571	PC-4008-A	8" Aluminum Socket Channel w/4" Aluminum Concrete Sockets
149571B	PC-4008-B	8" Aluminum Socket Channel w/4" Bronze Concrete Sockets
149570	PC-4020-A	20" Aluminum Socket Channel w/4" Aluminum Concrete Sockets
149570B	PC-4020-B	20" Aluminum Socket Channel w/4" Bronze Concrete Sockets
149613PW	PW	Brass Replacement Wedge Assembly
149614	PF-2119-L	Aluminum Deck Mount Flange-White
151426	PF-25-A	Plastic Anchor Flange with Concrete Anchors
141277	PE-0019-W	Escutcheon Plate, ABS-White
141278	PE-0019-C	Escutcheon Plate, ABS-Chrome
149618	25562-500-000	Ladder Bumpers-White Inside (Ea.)
149619	WRB-101A	Ladder Bumpers-White Outside New Frost (Ea.)
PCPF3119	PF-3119	Aluminum Slide Flange

LADDER TREADS



Imperial No.	Part Number	Description
CMP25562100000	25562-100-000	20 Inch Ladder Tread
149615I	LTDF-101	White, Cicolac Tread Only - Interfab replacement 18 7/8"
149615S	LTDF-101	White, Cicolac Tread Only - Swan Replacement 18 1/4"
149616I	LTDF-105	Stainless Steel Tread with black safety grip inserts - Interfab 19 1/4"
149616S	LTDF-103	Stainless Steel Tread with black safety grip inserts - SR Smith 19 1/4"
149617I	60-702	Stainless Steel Ladder Tread Nut & Bolt (Ea.) - Interfab replacement
149617S	60-704	Stainless Steel Ladder Tread Nut & Bolt (Ea.) - Swan replacement
149617F	A40909-1	Stainless Steel Ladder Tread Nut & Bolt (Set of two) - Frost replacement

DROP IN STEPS

CONFER CURVE



Imperial No.	Part Number	Description
149994	CCX-IG	Curve Base Inpool 3 step for I/G

OREQ FOOT BATH



Imperial No.	Part Number	Description
270003	Z22	Oreq Foot Bath

INGROUND

DECK EQUIPMENT

DIVING BOARDS & ACCESSORIES

CAUTION: The use of diving and sliding equipment can be hazardous. Imperial Pools does not recommend the use of these appliances. If used, care should be exercised to use only equipment meeting the recommended safety codes established by the Association of Pool and Spa Professionals.

SR SMITH

FRONTIER III



Imperial No.	Part Number	Description
145703		6' Frontier III Complete
145506	66-209-596S2	6' Frontier III Board
145509	69-209-026	6' Frontier III Assembly
145508	69-209-001	Steel Base For 6' and 8' Board
145704		8' Frontier III Complete
145507	66-209-598S2	8' Frontier III Board
145510	69-209-028	8' Spring Assembly
145511	69-209-008	Fiberglass Base With Jig
151417	69-209-006-SS	Jig Only for 6' or 8'
151415	08-501	18" Rubber Anchor Pad
151416	67-209-911-SS	Board Mounting Kit
151414	69-209-019-SS	Spring Nut and Bolt Pack for 6' or 8'
151418	05-600	Base Nut Cap

FIBRE-DIVE BOARD

Note: Duro-Beam Aquaboard fits LaMesa & U-Stands



Imperial No.	Part Number	Description
145705		6' Fibre-Dive Board Complete
145512	66-209-266S2-1	6' Fibre-Dive Board
145514	70-209-7362	6' Flyte Deck II With Jig
145553G	66-209-266S20T	6' Fibre-Dive Board Pewter Gray
145514G	70-209-73620	6' Flyte Deck II With Jig Pewter Gray
145706		8' Fibre-Dive Complete
145513	66-209-268S2-1	8' Fibre-Dive Board
145515	70-209-7382	8' Flyte Deck II With Jig
151421	71-209-700-SS	Jig Only for 6' Stand
151416	67-209-911-SS	Board Mounting Kit
151422	71-209-704-SS	Jig Only for 8' Stand

FRONTIER II



Imperial No.	Part Number	Description
145701		6' Frontier II Complete
145501	66-209-586S2	6' Frontier II Board Radiant White
145503	69-209-5866	6' Frontier II Spring With Jig
145702		8' Frontier II Complete
145502	66-209-588S2	8' Frontier II Board Radiant White
145504	69-209-5888	8' Frontier II Spring With Jig
151423	69-209-227-SS	6' and 8' Jig Only
151424	69-209-032-SS	Spring Board Mounting Bolt Kit

EDGE DIVING SYSTEM



Imperial No.	Part Number	Description
INFEDGE6WW	EDGE6WW	Edge Diving Board with Hardware
INFEDGEBASE	EDGE-BASE	Edge Base and Jig with Hardware
INFEDGESPRING	EDGE-SPRING	Edge Spring with Hardware

INGROUND

DECK EQUIPMENT

DIVING BOARDS & ACCESSORIES

CAUTION: The use of diving and sliding equipment can be hazardous. Imperial Pools does not recommend the use of these appliances. If used, care should be exercised to use only equipment meeting the recommended safety codes established by the Association of Pool and Spa Professionals.

SR SMITH

DURO-BEAM/AQUABOARD WATERFALL & LIGHTING OPTION



Imperial No.	Part Number	Description
INFBOARDFALL	BOARD FALL	Edgewater Waterfall Assembly

T7 DIVING SYSTEM



Imperial No.	Part Number	Description
145707		T7 Complete Board, Base, and Spring Carton
INF7BASEGR	T7-NBASE-52	T7 Base and Jig with Hardware
INF7DBGGR	T7 DB-52	T7 Diving Board with Hardware
INF7SPRNGGR	T7-NSPRING-9	T7 Springs with Hardware

DIVING ACCESSORIES



Imperial No.	Part Number	Description
149113	UF-18-101	18" Diving Stands–Stainless Steel
149114	UF-24-103	24" Diving Stands–Stainless Steel
149115	FC-100A	Fulcrum Pad

FRONTIER BOARD



Imperial No.	Part Number	Description
SR6821059624	68-210-59624	6' Frontier Board
SR6821059824	68-210-59824	8' Frontier Board

SLIDES

CAUTION: The use of diving and sliding equipment can be hazardous. Imperial Pools does not recommend the use of these appliances. If used, care should be exercised to use only equipment meeting the recommended safety codes established by the Association of Pool and Spa Professionals.

SR SMITH SLIDES

TURBOTWISTER



The TurboTwister gives you waterpark thrills in your own backyard! Whether it's the rushing water or thrilling dips and curves that you love, the TurboTwister is packed with tons of great features for the entire family. With sturdy molded-in handrails and an enclosed ladder, safety is a top priority. This slide is comparable to Inter-fab's Adrenaline slide.

Specifications: Height: 8'7". Available in right and left curves. Flume is 14'4" in length. Required deck space: 13'6" x 6'3". Weight limit: 275 lbs. Children under 48" tall must be supervised at all times when using this slide.

Imperial No.	Part Number	Description
SRS68820958123	688-209-58123	Turbotwister - Right Turn - Sandstone
SRS68820958124	688-209-58124	Turbotwister - Right Turn - Gray Granite
SRS68820958223	688-209-58223	Turbotwister - Left Turn - Sandstone
SRS68820958224	688-209-58224	Turbotwister - Left Turn - Gray Granite

INGROUND

DECK EQUIPMENT

SLIDES

CAUTION: The use of diving and sliding equipment can be hazardous. Imperial Pools does not recommend the use of these appliances. If used, care should be exercised to use only equipment meeting the recommended safety codes established by the Association of Pool and Spa Professionals.

SR SMITH SLIDES

ROGUE 2



The new Rogue2 slide has a retro look with a thoroughly modern flume that makes this slide the new standard for backyard fun. The Rogue2 is designed for quick and easy assembly, and has an improved high volume water delivery system that can be plumbed through the pool's return line or connected to a garden hose. This slide is comparable to Inter-Fab's Wild Ride and City 2 slides.

Specifications: Height: 8' (6'6" to seat). Available in right and left curves. Flume is 9'3" in length. Required deck space: 10'7" x 8'5". Weight limit: 250 lbs. Flanges must be purchased separately - part number 75-209-5866. For residential use only.

Imperial No.	Part Number	Description
SRS6102095812	610-209-5812	Rogue 2 - Right Turn - White
SRS61020958120	610-209-58120	Rogue 2 - Right Turn - Gray
SRS6102095822	610-209-5822	Rogue 2 - Left Turn - White
SRS61020958220	610-209-58220	Rogue 2 - Left Turn - Gray

HELIX 2



The helix2® offers Serious Fun all the way around with a 360-degree flume and patented fountain feature. Its fully roto-molded construction provides strength and durability for years to come. Like the TurboTwister and Typhoon, the slide features an enclosed ladder and molded handrails to ensure maximum safety. Fewer parts mean assembly is faster and easier than slides of similar design. The helix is fully CPSC compliant and accommodates sliders up to 250 lbs. This slide is comparable to Inter-Fab's G-Force 2.

Specifications: Height: 7'-4". 360-degree flume is 12'8" in length. Required deck space: 9' x 5'. Weight limit: 250 lbs.

Imperial No.	Part Number	Description
SRS64020958123	640-209-58123	Helix 2 - Sandstone
SRS64020958124	640-209-58124	Helix 2 - Gray Granite

CYCLONE



This slide will make a big splash with the little ones that enjoy your pool! The Cyclone incorporates many of the same great features of the TurboTwister, but in smaller proportions at just 4 feet tall. Loaded with safety features like molded handrails and an enclosed ladder, this slide fully complies with the US Consumer Product Safety Commission's Safety Standard for Swimming Pool Slides (16 CFR 1207). This slide is comparable to Inter-fab's White Water and Zoomerang slides.

Specifications: Height: 4'-1". Available in right curve. Flume is 6'10" in length. Required deck space: 6'8" x 5'5". Weight limit: 175 lbs.

Imperial No.	Part Number	Description
SRS69820958123	698-209-58123	Cyclone - Right Turn - Sandstone
SRS69820958124	698-209-58124	Cyclone - Right Turn - Gray Granite

TYPHOON



This full-sized addition to the rotomolded slide line (helix, TurboTwister® and Cyclone) stands 7'4" tall to the top of the handrails, and is available in sandstone and gray granite. Enclosed ladder and molded handrail design for maximum safety. The unique GrandRapids water delivery system offers lots of rushing water for a fun ride. This slide is comparable to Inter-Fab's X-Stream 2 slide.

Specifications: Height: 7'4". Available in right or left curves. Flume is 9'10" in length. Required deck space: 11'8" x 4'5". Weight limit: 275 lbs.

Imperial No.	Part Number	Description
SRS67020958123	670-209-58123	Typhoon Slide - Right Turn - Sandstone
SRS67020958124	670-209-58124	Typhoon Slide - Right Turn - Gray Granite
SRS67020958223	670-209-58223	Typhoon Slide - Left Turn - Sandstone
SRS67020958224	670-209-58224	Typhoon Slide - Left Turn - Gray Granite

INGROUND

DECK EQUIPMENT

SLIDES

CAUTION: The use of diving and sliding equipment can be hazardous. Imperial Pools does not recommend the use of these appliances. If used, care should be exercised to use only equipment meeting the recommended safety codes established by the Association of Pool and Spa Professionals.

GLOBAL POOL PRODUCTS

RIPTIDE



Imperial No.	Part Number	Description
GPP008	GPPSRT-GREY-R	Riptide - Right Turn - Gray
GPP028	GPPSRT-GREY-L	Riptide - Left Turn - Gray

TIDAL WAVE



Imperial No.	Part Number	Description
GPP006	GPPSTW-GREY-R	Tidal Wave - Right Turn - Gray
GPP026	GPPSTW-GREY-L	Tidal Wave - Left Turn - Gray

TSUNAMI



Imperial No.	Part Number	Description
GPP010	GPPSTS-GREY	Tsunami - Gray

SR SMITH SLIDES

SLIDE ACCESSORIES



Imperial No.	Part Number	Description
PLM36631	36631	Slide Hose/Spray Kit

DECK JETS & LAMINARS

DECK JET



Imperial No.	Part Number	Description
141154	WFJ500PAK4	Hayward Deck Jet 500 (Set of 4)
CMP25597000	25597-000-000	Deck jet [sold each] includes body,movable nozzles[single & dual streams]4 decorative caps,white,black,gray & tan
JAJDJ2004	JDJ2004	Jandy Deck Jet (Set of 4)
PF580000	580000	Pentair Deck Jet / 5 nozzles
PF580003	580003	Magic Stream Jet II Set Of 4

PENTAIR MAGICSTREAM LAMINARS



Imperial No.	Part Number	Description
PF580001B	580001B	Laminar LED,Black Lid,light requires 12v power
PF580001G	580001G	Laminar LED,GREY Lid,light requires 12v power
PF580001T	580001T	Laminar LED,Tan Lid,light requires 12v power

INGROUND DECK EQUIPMENT

BASKETBALL



Imperial No.	Part Number	Description
SRSSBASK44	S-BASK-44	Basketball - Salt Friendly
INFSPSBBALLDC	SPS-BBALL D-MG-C	Basketball SS 12" Offset Complete Stainless Anchor JIG
INFSPSBBALLGBC	SPS-BBALL GB-C	Basketball SS 12" Offset Complete Bronze Anchor JIG

VOLLEYBALL

Note: many other options available. Call your local distribution center.



Imperial No.	Part Number	Description
INFWSVANCLAS	WS-V ANC-PLAS	Volleyball plastic anchor set

Imperial POOLS INC.
REDEFINING ONE SOURCE

*QUALITY, DEPENDABILITY,
AND BUILT TO LAST*

Elements
swimming pool products

by **RELIANT** Pool Products
www.reliantpoolproducts.com

For a complete listing of products, please contact your Imperial Pools Distribution facility team.
www.imperialpools.com

INGROUND

FILTERS

SAND FILTERS

ESSENTIAL ELEMENTS



Imperial No.	Part Number	Description
EE3050	S119T	19" Sand Filter with 6 -Way Valve (175 lbs sand)
EE3060	S124T	24" Sand Filter With 6- Way Valve (300 lbs sand)

HAYWARD



Imperial No.	Part Number	Description
141041	S180T	18" Filter with Multiport Valve (150 lbs sand)
141046	S210T	20" Filter with Multiport Valve (200 lbs sand)
141044	S200	20" Filter with Multiport Valve (200 lbs sand)
141042	S220T	22" Filter with Multiport Valve (250 lbs sand)
141043	S244T	24" Filter with Multiport Valve (300 lbs sand)
141049	S244S	24" Filter with Multiport Valve (300 lbs sand)
144099	S270T	27" Filter with 1 1/2" Multiport (350 lbs sand)
HAYS270T2	S270T2	27" Filter with 2" Multiport (350 lbs sand)
149955	S310T2	30" filter With 2" Multiport Valve (500 lbs sand)

JANDY



Imperial No.	Part Number	Description
ZODSFTM22	SFTM22-1.5	22" Sand Filter
ZODSFTM24	SFTM24-2.0	24" Sand Filter with 7 Position Multiport Valve

PENTAIR

SAND DOLLAR



Imperial No.	Part Number	Description
149428	145322	22" Filter (SD-60) with valve (250 lbs sand)
149429	145333	26" Filter (SD-80) with valve (350 lbs sand)
PF145386	145386	SD-80 With 2" Valve And Standpipe (350 lbs sand)

TAGELUS DLX



Imperial No.	Part Number	Description
149453	145241	24" Filter (TA-60D) with Valve (325 lbs sand)

TRITON



Imperial No.	Part Number	Description
149493	140264	24" Filter Only (TR-60) (250 lbs sand)
149494	140210	30" Filter Only (TR-100) (450 lbs sand)
149495	140243	36" Filter Only (TR-140) (650 lbs sand)

INGROUND FILTERS

DE FILTERS

HAYWARD

PERFLEX



Note: * For a "3 Component System" - Select EC 65/75, base kit for Super, Super II or Max-Flo Pump

Imperial No.	Part Number	Description
141055	EC50AC	Modular Filter With Spring Loaded Clamp style top
141058	EC65A	Modular Filter
141059	EC75A	Modular Filter

PRO-GRID



Imperial No.	Part Number	Description
141307	DE2420	24 Sq. Ft. Filter only
141308	DE3620	36 Sq. ft. Filter only
141309	DE4820	48 Sq. ft. Filter only
141310	DE6020	60 Sq. ft. Filter only
141311	DE7220	72 Sq. ft. Filter only

FILTER GRID ASSEMBLY - PRO-GRID



Imperial No.	Part Number	Description
150406	DEX3600DC	Filter Element Cluster Assembly - Complete as above
150407	DEX4800DC	Filter Element Cluster Assembly - Complete as above
150408	DEX6000DC	Filter Element Cluster Assembly - Complete as above
150204	DEX7200DC	Filter Element Cluster Assembly - Complete as above

PENTAIR

FNS PLUS



Imperial No.	Part Number	Description
149457	180007	36 Sq. ft. Filter Only
149459	180008	48 Sq. ft. Filter Only
149432	180009	60 Sq. ft. Filter Only

FILTER GRID ASSEMBLY - FNS PLUS



Imperial No.	Part Number	Description
156483	59023800	Assy., Element Grid, Complete, 24 sq. ft. Filter
PF59023500	59023500	Assy., Element Grid, Complete, 36 sq. ft. Filter
156479	59023400	Assy., Element Grid, Complete, 48 sq. ft. Filter
156478	59023300	Assy., Element Grid, Complete, 60 sq. ft. Filter

STA-RITE

SYSTEM 3



Imperial No.	Part Number	Description
144612	S7MD60	DE Filter 60 Sq Ft System 3 Modular
144613	S7MD72	DE Filter 72 Sq Ft System 3 Modular

INGROUND FILTERS

DE FILTERS

JANDY



DEV SERIES

	Imperial No.	Part Number	Description
Trade Grade	JADEV48	DEV48	48 Sq. ft. Filter only

CARTRIDGE FILTERS

ESSENTIAL ELEMENTS

Imperial No.	Part Number	Description
C3425	C3425	425 Sq. ft. Filter

HAYWARD

STAR CLEAR PLUS



Imperial No.	Part Number	Description
141288	C900	90 Sq. ft. Star-Clear Plus Filter
141289	C1200	120 Sq. ft. Star-Clear Plus Filter
HAYC17502	C17502	175 Sq. ft. Star-Clear Plus Filter

SWIM CLEAR



Imperial No.	Part Number	Description
141321	C100S	100 Sq. ft.
141306	C200S	C200S 200 Sq. Ft. SwimClear Single Element Cartridge Filter
141313	C2030	225 Sq. ft.
141314	C3030	325 Sq. ft.
141315	C4030	425 Sq. ft.
141316	C5030	525 Sq. ft.

PENTAIR

CLEAN & CLEAR PLUS



Imperial No.	Part Number	Description
PF160310	160310	240 sq. ft.
PF160340	160340	320 sq. ft.
PF160301	160301	420 sq. ft.
PF160332	160332	520 sq. ft.

STA-RITE

SYSTEM 3



Imperial No.	Part Number	Description
144331	S7M120	300 sq. ft. Modular Media
144610	S7M400	400 sq. ft. Modular Media
144332	S8M150	450 sq. ft. Modular Media
144611	S8M500	500 sq. ft. Modular Media

INGROUND

FILTERS

CARTRIDGE FILTERS

JANDY



	Imperial No.	Part Number	Description
	ZODVPKCVSTD	VPK-CVSTD	Versa Plump Kit
Trade Grade	ZODCV340	CV340	340 sq. ft.
Trade Grade	ZODCV460	CV460	460 sq. ft.
Trade Grade	ZODCV580	CV580	580 sq. ft.

REPLACEMENT CARTRIDGES & GRIDS

CARTRIDGES

HAYWARD



	Imperial No.	Part Number	Description
	141210	PA20	20 Sq. ft. Filter Element (C-200)
	149897	PA75SV-PAK4	4-PACK for Hayward C3000 & StaRite PRC75
	PLULTRAA14	ULTRA-A14	40 Sq. ft. Filter Element (Easy Clear C400, C410)
	141211	PA225	25 Sq. ft. Filter Element (MicroStar-Clear C225)
	PLULTRAB6	ULTRA-B6	90 Sq. ft. Filter Element (Star-Clear Plus C9000)
	PLULTRAB2	ULTRA-B2	120 Sq. ft. Filter Element (Star-Clear Plus C1200)
	PLULTRAB8	ULTRA-B8	125 Sq. ft. Filter Element (C1250, C1500)
	PLULTRAD1	ULTRA-D1	100 Sq. ft. Filter Element (Star-Clear II C1100)
	PLULTRAA1	ULTRA-A1	106 Sq. ft. Filter Element (SwimClear C-4025, C-4030)
	PLULTRAA2	ULTRA-A2	126 Sq. ft. Filter Element (C5000, C5020)
	PLPA81PAK4	PA81-PAK4	4-PACK for Hayward C3025 & C3030
	PLPA100NPAK4	PA100N-PAK4	4-PACK for Hayward C4000
	141212	PA25	25 Sq. ft. Filter Element (Star-Clear C250)
	150910	PA106-PAK4	4-PACK for Hayward C4025 and C4030
	PLULTRAA11	ULTRA-A11	50 Sq. ft. Filter Element (Star-Clear C500)
	PLULTRAA12	ULTRA-A12	75 Sq. ft. Filter Element (Star-Clear C750)
	141294	PA50SV	50 Sq. ft. Filter Element (Star-Clear C2000, Swim Clear C2020)
	PLULTRAA3	ULTRA-A3	81 Sq. ft. Filter Element (SwimClear C3025, C3030)
	PLULTRAD2	ULTRA-D2	75 Sq. ft. Filter Element (Star-Clear II C800, C1500)
	HAYCX85ORE	PA85	85 Sq. ft. Filter Element (Full Flo C850)

PENTAIR

	Imperial No.	Part Number	Description
	151656	C-2608	Rainbow, 8.3 Sq. Ft. Cartridge 19 1/2" Long
	151657	PRB12L-4	Rainbow, 12.5 Sq. Ft. Cartridge 29 1/2" Long
	RB173573	R173573	Cartridge element, 320 sq. ft., 4 req.
	RB173576	R173576	Cartridge, 420 sq. ft., 4 req.
	PLPCC105PAK4	PCC105-PAK4	4-PACK for Clean & Clear 420
	PLPCC80PAK4	PCC80-PAK4	4-PACK for Clean & Clear 320

STA-RITE

	Imperial No.	Part Number	Description
	STA250210200S	25021-0200S	100 Sq Ft Replacement Module for S7M120
	STA250220201S	25022-0201S	200 Sq Ft Replacement Module for S7M120
	STA250210202S	25021-0202S	191 Sq Ft Replacement Module for S8M150
	STA250220203S	25022-0203S	259 Sq Ft Replacement Module for S8M150
	STA270020100S	27002-0100S	100 Sq Ft Replacement Module for PLM100
	STA270020150S	27002-0150S	150 Sq Ft Replacement Module for PLM150

HARMSCO

	Imperial No.	Part Number	Description
	142009	ST/105	HARMSCO BF 105
	151655	PH6	HARMSCO ST-6

PIN-PAK DISPLAY

	Imperial No.	Part Number	Description
	PLPINPAK	PIN-PAK	Pin-Pak Display filled with best selling filter cartridges for small above-ground pools [like Intex, Coleco, Muskin ect.] 48 cartridges total

INGROUND

REPLACEMENT CARTRIDGES & GRIDS

POOL CARTRIDGE CLEANING TABLET



Imperial No.	Part Number	Description
141430	PWASH-POOL-PAK	Cleaning Tablets - 30 Per Box

GRIDS



See Unicel to Pleatco, and Filbur to Pleatco Cross Reference Charts in the Spa Section of this book.

Imperial No.	Part Number	Description
150390	PFG1224	Grid, Lg. 12 in., 24 sq. ft. Filter, 7 Reg.
150428	PHG3672	Grid, Sm 36 in., 72 sq. ft. Filter, 1 Reg
150394	PHG1224	Grid, Sm. 12 in., 24 sq. ft. Filter, 1 Reg.
150391	PFG1836	Grid, Lg. 18 in., 36 sq. ft. Filter, 7 Reg.
150395	PHG1836	Grid, Sm. 18 in., 36 sq. ft. Filter, 1 Reg.
150392	PFG2448	Grid, Lg. 24 in., 48 sq. ft. Filter, 7 Reg.
150396	PHG2448	Grid, Sm. 24 in., 48 sq. ft. Filter, 1 Reg.
150393	PFG3060	Grid, Lg. 30 in., 60 sq. ft. Filter, 7 Reg.
150397	PHG3060	Grid, Sm. 30 in., 60 sq. ft. Filter, 1 Reg.
150427	PFG3672	Grid, Lg. 36 in., 72 sq. ft. Filter, 7 Reg.

FILTERS

MULTIPORTS

ESSENTIAL ELEMENTS

SAND



Imperial No.	Part Number	Description
EE647304071	647304071	6-way valve

HAYWARD

SAND



Imperial No.	Part Number	Description
141256	SP0714T	Vari-Flo XL Control Valve - 1 1/2" - 6 position - Top Mount for Pro Series
141253	SPX0710X32	1 1/2" Sidemount Multiport for S200 & S240 Sand Filters
141263	SP0710X62	1 1/2" Side-Mount Multiport Valve
141260	SP071621	2" Flange-Mount Vari-Flo Valve, with built in diffuser for Pro Series Sand Filters Top Mount
149893	SP0715X62	2" Side-Mount Multiport Valve

DE



Imperial No.	Part Number	Description
141251	SP0715XR50	Vari-Flo Valve Assembly - 2" NPT
141250	SP0710XR50	Vari-Flo Valve Assembly - 1 1/2" NPT
149889	SP0740DE	Selecta-Flo Valve Assembly - 2" SKT
150121	SP0410X502S	2" SKT Slide Valve

INGROUND

FILTERS

MULTIPORTS

CUSTOM MOLDED PRODUCTS

SAND



Imperial No.	Part Number	Description
CMP27515154000	27515-154-000	1 1/2" FPT Multiport Valve

PENTAIR

SAND



Imperial No.	Part Number	Description
149454	262506	Valve, 1-1/2 in. 6-way clamp style - Sand Dollar 60, 80 and Tagelus 30-60
149446	261173	1 1/2" Multiport Valve - Triton
149447	261055	2" Multiport Valve - Triton

DE



Imperial No.	Part Number	Description
149448	263064	Push/Pull Valve - FNS Plus
149970	261177	1 1/2" Multiport Valve - FNS Plus
149971	261152	2" Multiport Valve - FNS Plus
PF261050	261050	2" HiFlow Valve - Quad DE

STA-RITE

DE



Imperial No.	Part Number	Description
144614	18201-0300	2" Modular DE 6 Position Valve with Union Connections - System 3

ZODIAC

DE



Imperial No.	Part Number	Description
JABWVLMV	BWVL-MPV-80	2" Multiport
JABWVNLV	BWVL-NVL	Backwash Valve For DEV

MEDIA

SAND



Imperial No.	Part Number	Description
149757	MYSTIC WHITE II .49 50# BAG	50 lb. bag filter sand (45-55mm)
149757P	MYSTIC WHITE 49	Pallet of 48 - 50 lb. Bag filter sand (45-55mm)

INGROUND FILTERS

MEDIA ZEOSAND



100% Natural - sand alternative. 25 pounds of Zeosand equals 50 pounds of sand.

Imperial No.	Part Number	Description
149042	ZEOSAND	25 lb. Bag Zeobrite/Zeosand - Sand Alternative

ZEOFIBER



- Natural Alternative to DE
- Blend of Natural cellulose fibers - safe - biodegradable
- One pound of Zeofiber replaces eight pounds of DE
- Can be used in sand and cartridge filters as a filter aid

Imperial No.	Part Number	Description
149039	ZEOFIBER	3 lb. bag Zeofiber 8/CS

GLASS

40 pounds of glass equals 50 pounds of sand.



Imperial No.	Part Number	Description
149757G	CGMED-BL	Glass Filter Media 40 lb. Bag (64 Pallet)

DIATOMACEOUS EARTH



Imperial No.	Part Number	Description
149762	10LB DE	10 lb. Bag Diatomaceous Earth
149762P		110 - 10 lb. Bag Diatomaceous Earth
149765	DEB24T	24 lb. box Diatomaceous Earth
149764	DEE25W	25 lb. Bag Diatomaceous Earth
149764P		75 - 25 lb. Bag Diatomaceous Earth
CMP25600411000	25600-411-000	Smart Scoop - DE/Chemical Scoop
149873	25600-009-000	Perflex 1 lb. DE Pre-Measured Scoop 50

BASES & EQUIPMENT PADS EQUIPMENT PADS



Imperial No.	Part Number	Description
149423	EL3636-2	Equipment Pad 36" x 36" x 2"
DACP36362	ACP3636-2	The Black Pad 36" x 36" x 2"
DIC24362	2436-2	Equipment Pad 24" x 36" x 2"
DICL36362	3636-2	Equipment Pad 36" x 36" x 2"
DIEP24362	EP2436-2	Equipment Pad 24" x 36" x 2"
DIUC24363	UC2436-3	Rectangular 3" Fiberglass Reinforced Concrete
DACP36362	ACP3636-2	Duragrid Polymer Equipment Pad 24" x 36"

HAYWARD SAND



Imperial No.	Part Number	Description
141220	S160TPAK3	Universal Pump and Filter Base. Heavy-duty molded platform base for pump and filter. Complete with clear pump-to-filter Connecting hose, pipe adapters and hardware. Pre-drilled for Power-Flo series, Max-Flo and Super Pumps.
141221	S200PAK3	Pump and Filter Base. Heavy-duty molded platform base for pump and filter. Complete with rigid, clear Lexan sweep union and hardware. Pre-drilled for Max-Flo and Super Pumps.

INGROUND

FILTERS

BASES & EQUIPMENT PADS

HAYWARD DE



Imperial No.	Part Number	Description
141234	SP1485	1 1/2" MIP Clear Lexan, Double Male, 90" Short
141226	EC65BLP	System III Base Pak for EC-65/EC-75 (less pump) - for Super or Max-Flo Pumps.

PUMPS

ESSENTIAL ELEMENTS



Imperial No.	Part Number	Description
EE2743D	P2010DA	Inground Pump 1 HP 1 1/2" 110/220 Volt
EE2748	P2415A	Inground Pump 1 1/2 HP 2" 110/220 Volt

VARIABLE SPEED

Imperial No.	Part Number	Description
EEP5015	P5015-A	1 1/2 HP Variable Speed Pump

HAYWARD

SUPER PUMP - MAX RATED



	Imperial No.	Part Number	Description
	141019	SP2600X5	1/2 HP - 115 Volt
	141020	SP2605X7	3/4 HP
	141021	SP2670007X10	1 HP
Trade Grade	141022	SP2670010X15	1 1/2 HP
	141023	SP2615X20	2 HP

SUPER PUMP - 2 SPEED



	Imperial No.	Part Number	Description
	141028	SP2607X102S	1 HP - 230 Volt - 1.5" sctn/dscg
	141029	SP2610X152S	1 1/2 HP - 230 Volt - 1.5" sctn/dscg
	HAYSP2615X202S	SP2615X202S	2 HP - 230 Volt - 1.5" sctn/dscg

SUPER PUMP - VARIABLE SPEED



	Imperial No.	Part Number	Description
Trade Grade	141888	HL2670020VSP	Super Pump Variable Speed 700 Omni
	141101	SP26115VSP	Super Pump VS variable speed pump for 115V operation
Trade Grade	141275	SP2670020VSP	Super Pump VS-1.5" sctn/dscg for 230V operation

SUPER PUMP II - MAX RATED



	Imperial No.	Part Number	Description
	148841	SP3007X10AZ	1 HP
	141323	SP3010X15AZ	1 1/2 HP
	141324	SP3015X20AZ	2 HP
	141325	SP3020X25AZ	2 1/2 HP
	141025	SP3025X30AZ	3 HP - 230 Volt

INGROUND

PUMPS

HAYWARD

ECOSTAR & ECOSTAR SVRS



Imperial No.	Part Number	Description
141168	SP3400VSP	EcoStar
141698	SP3400VSPVR	EcoStar SVRS

TRISTAR - FULL RATED - ENERGY EFFICIENT



Imperial No.	Part Number	Description
HAYSP3205EE	SP3205EE	1/2 HP
141148	SP3207EE	3/4 HP
141149	SP3210EE	1 HP
141152	SP3215EE	1 1/2 HP
141157	SP3220EE	2 HP
141158	SP3230EE	3 HP
HAYSP32152EE	SP32152EE	1 1/2 HP 2 Speed

TRISTAR - VARIABLE SPEED



	Imperial No.	Part Number	Description
	HAYSP32900VSP	SP32900VSP	Tri-star Variable Speed 900
	HAYSP32950VSP	SP32950VSP	Tri-star Variable Speed 950
Trade Grade	141885	HL32900VSP	Tri-star Variable Speed 900 Omni
	HAYSP3200VSP	W3SP3202VSP	Tri-star VS [stand alone or relay control includes pump user interface]

MAX-FLO XL WITH UNIONS - MAX RATED



Imperial No.	Part Number	Description
HAYSP2305X7	SP2305X7	3/4 HP - 115/230 Volt
HAYSP2307X10	SP2307X10	1 HP - 115/230 Volt
141036	SP2310X15	1 1/2 HP- 115/230 Volt

PENTAIR

SUPERFLO - UPATED



Imperial No.	Part Number	Description
PF348144	348144	1 HP
PF348145	348145	1 1/2 HP
PF340037	340037	3/4 HP
PF340038	340038	1 HP
PF340039	340039	1 1/2 HP

SUPERFLO VS - VARIABLE SPEED



Imperial No.	Part Number	Description
PF342002	342002	SuperFlo VS Variable Speed 110/220

INGROUND PUMPS

PENTAIR INTELLIFLO



	Imperial No.	Part Number	Description
Trade Grade	PF011056	011056	Intelliflo Variable Speed Pump

INTELLIFLO XF



	Imperial No.	Part Number	Description
Trade Grade	PF022056	022056	Intelliflo XF Pump

INTELLIFLO - SVRS



	Imperial No.	Part Number	Description
	PF011057	011057	Variable Speed Pump W/SVRS

WHISPERFLO - FULL RATED



	Imperial No.	Part Number	Description
	PF011527	011527	1 HP
	PF011528	011528	5 HP
	PF011579	011579	3/4 HP
	PF011580	011580	1 HP
	PF011581	011581	1 1/2 HP
	PF011582	011582	2 HP
	PF011583	011583	3 HP

WHISPERFLO - UPATED



	Imperial No.	Part Number	Description
	149436	011771	3/4 HP
	149437	011772	1 HP
	149438	011773	1 1/2 HP

CHALLENGER - HIGH FLOW - UPATED



	Imperial No.	Part Number	Description
	149461	343232	3/4 HP
	149463	343233	1 HP
	149465	343234	1 1/2 HP

INGROUND PUMPS

STARITE

MAX E PRO - FULL RATED



Imperial No.	Part Number	Description
144339	P6E6D-205L	3/4 HP EE 115/230V
145376	P6E6F-207L	1 1/2 HP EE 115/230V
145377	P6E6G-208L	2 HP EE 230V
144344	P6E6H-209L	3 HP EE 230V

MAX E PRO - UP RATED



Imperial No.	Part Number	Description
PF348151	348151	1 1/2 HP
144345	P6EA6E-205L	1 HP EE 115/230V
144346	P6EA6F-206L	1 1/2 HP EE 115/230V
144347	P6EA6G-207L	2 HP EE 230V
144348	P6EAA6G-208L	2 1/2 HP EE 230V

MAX E PRO - UP RATED - TWO SPEED



Imperial No.	Part Number	Description
144356	P6RA6YF-206L	1 1/2 HP 2-speed 115/230V
144357	P6RA6YG-207L	2 HP 2-speed 230V

INTELLIPRO - VARIABLE SPEED



	Imperial No.	Part Number	Description
	PF013002	013002	Intellipro Variable Speed with SVRS
Trade Grade	PF013004	013004	Intellipro 2 VST
Trade Grade	PF023056	023056	Intellipro XF Variable Speed

ZODIAC

FLOPRO



Imperial No.	Part Number	Description
ZODFHPM10	FHPM1.0	1 HP
ZODFHPM15	FHPM1.5	1 1/2 HP
ZODFHPM20	FHPM2.0	2 HP

VS FLOPRO - VARIABLE SPEED



Imperial No.	Part Number	Description
ZODVSFHP165JEP	VSFHP165JEP	VSFloPro 1HP W/Controller
ZODVSFHP270JEP	VSFHP270JEP	VSFloPro 2 HP W/Controller

INGROUND PUMPS

ZODIAC

PHPM PLUSHP SERIES - UP RATED - HIGH HEAD - 115/230 VOLT



Imperial No.	Part Number	Description
JAPHPM15	PHPM1.5	1 1/2 HP
JAPHPM20	PHPM2.0	2 HP

SHPF STEALTH SERIES - FULL RATED - W/ 2 X 2 1/2 UNIONS



Imperial No.	Part Number	Description
JASHPF10	SHPF1.0	1 HP
JASHPF15	SHPF1.5	1 1/2 HP
JASHPF20	SHPF2.0	2 HP - 230 V Only

WATERWAY

Waterway smf-110 in ground swimming pool pump 1-hp, single speed. Super quiet, efficient, and self-priming. Ships with pump unions for 2-inch pvc pipe size for outdoor operation. Self-priming, large trap and leaf basket. 60-hertz.



Imperial No.	Part Number	Description
WWSMF1101	SMF-110	1 HP 1 Speed

PUMP SEAL KITS & ACCESSORIES



Imperial No.	Part Number	Description
ALAAS1000	AS-1000	Pump Seal
ALAO125	O-125	O Ring
ALPSR201	PSR-201	Seal
CMP25306000020	25306-000-020	PowerFlo Pump Lid
150041	SPX1600Z2	Seal Assembly - Hayward
150106	SPX1600TRA	Seal Assembly Kit - Hayward (includes Seal, Housing and Diffuser Gaskets)
156094	SPX3200SA	Seal Assembly - Hayward TriStar/EcoStar
ALAAS200	AS-200	Generic Pump Seal - Pentair 354545, Challenger/Dynamo/Pinnacle/Hayward PowerFlo
ALAS201	AS-201	Generic Pump Seal - Hayward SPX1600Z2, Super Pump/Super II/MaxFlo
ALAGO3	GO-KIT3	Go-Kit - Hayward Super Pump
ALAGO5	GO-KIT5	Go-Kit - Pentair Challenger Pump
ALAGO24	GO-KIT24	Go-Kit - Pentair Pinnacle Pump
CMP27180167000	27180-167-000	Pump Basket - Hayward Super Pump
CMP27182167000	27182-167-000	Heavy Duty Pump Basket For Super Pump
150071	SPX1600M	Basket - Super Pump
150096	SPX3000M	Basket - Super Pump II
156092	SPX3200M	Basket - TriStar/Ecostar

MOTORS

CENTURY MOTORS

ROUND FLANGE - UP RATED

NEMA "56C" face mount For Hayward Max-Flo, Super Pump and many others with a threaded shaft.



Imperial No.	Part Number	Description
150062	ST1052	1/2 HP 115/230 Volt Threaded Shaft
150063	HST080	3/4 HP 115/230 Volt Threaded Shaft
150064	HST110	1 HP 115/230 Volt Threaded Shaft
150065	HST150	1 1/2 HP 115/230 Volt Threaded Shaft
150066	HST225	2 HP 115/230 Volt Threaded Shaft
150091	HST275	2 1/2 HP 230 Volt Threaded Shaft
150100	ST1302V1	Motor single speed JHP 3.0 hp

INGROUND MOTORS

CENTURY MOTORS

SQUARE FLANGE - UP RATED



For Pentair Challenger and Pinnacle, Sta-Rite Dura-glas and Max-E-Glas, American Products and many others with a threaded shaft.

Imperial No.	Part Number	Description
152473	HSQ095	3/4 HP 115/230 Volt Threaded Shaft
152474	HSQ125	1 HP 115/230 Volt Threaded Shaft
152475	HSQ165	1 1/2 HP 230 Volt Threaded Shaft
AOSUSQ1202	HSQ220	2 HP 230 Volt Threaded Shaft

US MOTORS

ROUND FLANGE - UP RATED



Nema 56C Face Mount for Hayward Max-Flo, Super Pump, many others with a threaded shaft.

Imperial No.	Part Number	Description
EMEB227	ASB126	3/4 HP
EMEB228	ASB127	1 HP
EMEB229	ASB128	1 1/2 HP
EMEB230	EB230	2 HP

SQUARE FLANGE - UP RATED - CENTURION PRO



For Pentair Challenge and Pinnacle, Sta-Rite Dura-glas and Max-E-Glass, American Products and many others with a threaded shaft

Imperial No.	Part Number	Description
EMEB852	EB852	3/4 HP
EMEB853	ASB847	1 HP
EMEB854	ASB848	1 1/2 HP
EMEB859	EB859	2 HP

HEATERS

HAYWARD

UNIVERSAL H-SERIES



Imperial No.	Part Number	Description
143310	H150FDN	Natural - 150,000 BTU
143365	H150FDP	Propane - 150,000 BTU
143366	H200FDN	Natural - 200,000 BTU
143368	H200FDP	Propane - 200,000 BTU
143337	H250FDN	Natural - 250,000 BTU
143338	H250FDP	Propane - 250,000 BTU
143369	H300FDN	Natural - 300,000 BTU
143370	H300FDP	Propane - 300,000 BTU
143340	H350FDN	Natural - 350,000 BTU
143349	H350FDP	Propane - 350,000 BTU
143363	H400FDN	Natural - 400,000 BTU
143364	H400FDP	Propane - 400,000 BTU
143398	H500FDN	Natural - 500,000 BTU
143399	H500FDP	Propane - 500,000 BTU
156097	SPX3200UNKIT	Union Connector Kit (Includes Nut, Connector, Gasket)

FITTINGS



Imperial No.	Part Number	Description
141589	EFC3220TR	2" X 2 1/2" Heater Fitting

INGROUND HEATERS

VENT KITS

HAYWARD

UNIVERSAL H-SERIES INDOOR VENT ADAPTER KIT



Imperial No.	Part Number	Description
HAYUHXNEGVT11501	UHXNEGVT11501	Indoor Vent Adapter Kit, H150FD, Negative-Pressure (Vertical)
HAYUHXPOSHZ11501	UHXPOSHZ11501	Indoor Vent Adapter Kit, H150FD, Positive-Pressure (Horizontal)
HAYUHXPOSHZ12001	UHXPOSHZ12001	Indoor Vent Adapter Kit, H200FD, Positive-Pressure (Horizontal)
HAYUHXPOSHZ12501	UHXPOSHZ12506	Indoor Vent Adapter Kit, H250FD, Positive-Pressure (Horizontal)
HAYUHXPOSHZ13001	UHXPOSHZ13001	Indoor Vent Adapter Kit, H300FD, Positive-Pressure (Horizontal)
HAYUHXPOSHZ13501	UHXPOSHZ13501	Indoor Vent Adapter Kit, H350FD, Positive-Pressure (Horizontal)
HAYUHXPOSHZ14001	UHXPOSHZ14001	Indoor Vent Adapter Kit, H400FD, Positive-Pressure (Horizontal)

HAYWARD

SUMMIT XL HEAT PUMPS



	Imperial No.	Part Number	Description
Trade Grade	148804	SUMXL140	Summit XL 140 Heat Pump
Trade Grade	148805	SUMXL112	Summit XL 112 Heat Pump

HEATPRO HEAT PUMP



Imperial No.	Part Number	Description
148803	HP21404TC	HeatPro - 140,000 BTU

PENTAIR

MASTER TEMP



Imperial No.	Part Number	Description
PF461059	461059	HTR 125 Natural Master Temp Electronic with cord weighs only 80 lbs.
PF461061	461061	HTR 125 Propane Master Temp Electronic with cord weighs only 80 lbs.
PF460792	460792	HTR 175 Natural Master Temp Electronic Ignition
PF460793	460793	HTR 175 Propane Master Temp Electronic Ignition
142230	460730	HTR 200 Natural Master Temp Electronic Ignition
142234	460731	HTR 200 Propane Master Temp Electronic Ignition
142229	460732	HTR 250 Natural Master Temp Electronic Ignition
142233	460733	HTR 250 Propane Master Temp Electronic Ignition
142228	460734	HTR 300 Natural Master Temp Electronic Ignition
142232	460735	HTR 300 Propane Master Temp Electronic Ignition
142227	460736	HTR 400 Natural Master Temp Electronic Ignition
142231	460737	HTR 400 Propane Master Temp Electronic Ignition
PF461031	461031	Mastertemp Direct Air Intake Duct For Indoor Installations

ETI 400



	Imperial No.	Part Number	Description
Trade Grade	PF461113	461113	ETI 400 Heater - 400,000 BTU

INGROUND HEATERS

PENTAIR

ULTRA TEMP HEAT PUMP



New Master Temp heaters offer all the efficiency, convenience and reliability features you want in a pool heater, plus a lot more. As easy to use as your home heating system, plus, user-friendly indicator lights make system operation and monitoring a snap. The compact design and super quiet operation won't intrude on your pool side leisure time.

- Best-in-class energy efficiency
- LED lights on control panel
- Eco-friendly Master Temp is certified for low NOx emission and outperforms industry standards
- Electronic Ignition
- Fan assisted venting system
- Two-year warranty
- Tough, rustproof exterior handles the heat and weathers the elements

Imperial No.	Part Number	Description
PF460931	460931	Ultra Temp - 90,000 BTU
PF460932	460932	Ultra Temp - 108,000 BTU
PF460833	460833	Ultra-Temp - 125,000 BTU
PF460934	460934	Ultra-Temp - 140,000 BTU
PF460958	460958	Ultra-Temp - 140,000 BTU Heat/Cool Model

ULTRATEMP ETI HYBRID POOL HEATER



	Imperial No.	Part Number	Description
Trade Grade	PF460969	460969	Ultra Temp ETI Hybrid Heater

RAYPAK

GAS



- High efficiency
- Control panel
 - User friendly
 - On pool heaters with electronic ignition
 - Digital control with LCD - Pool - Capron® Resin
- Small footprint
- Castings
 - Spa - Bronze
 - Aboveground - Glass lined cast iron

Imperial No.	Part Number	Description
145419CZ	014939	266 Electronic Natural Cupro Nickel
145420CZ	014951	266 Electronic Propane Cupro Nickel
145423CZ	014940	366 Electronic Natural Cupro Nickel
145427CZ	014941	406 Electronic Natural Cupro Nickel
145435CZ	014938	206 Electronic Natural Cupro Nickel
145436CZ	014950	206 Electronic Propane Cupro Nickel
145435Z	9216	206 Electronic Natural
145436Z	9224	206 Electronic Propane
145419Z	9217	266 Electronic Natural
145420Z	9225	266 Electronic Propane
145423Z	9218	366 Electronic Natural
145424Z	9226	336 Electronic Propane
145427Z	9219	406 Electronic Natural
145428Z	9227	406 Electronic Propane

VENT KITS

RAYPAK

HEATER TOPS



Imperial No.	Part Number	Description
145444	009838	R206 Indoor Stack Top
145445	009839	R266 Indoor Stack Top
145446	009840	R336 Indoor Stack Top
145447	009841	R406 Indoor Stack Top

INGROUND HEATERS

RAYPAK HEAT PUMP



- Composite Base - Allows for easy installation, Dampens sound, Protects Cabinet
- Whisper Quiet Operation - Special designed fan to move more air quieter at an improved efficiency
- Mini Automation - Built in time clock and control for 3 way valves
- Full Text Digital Diagnostics - No codes to decipher
- Super Durable Steel Case - Coil is completely protected and air flow is focused

Imperial No.	Part Number	Description
RP016635	016635	62,000 BTU
RP016631	016631	R4350TI-E 85,000 BTU
145399	016015	R6450TI-E 119,000 BTU
145397	016033	R8450TI-E 140,000 BTU
145398	016010	R5450TI-E 103,000 BTU

JANDY JXI HEATERS



	Imperial No.	Part Number	Description
Trade Grade	ZODJXI400NK	JXI400NK	400,000 BTU Natural Gas With VersaFlo
Trade Grade	ZODJXI400PK	JXI400PK	400,000 BTU Propane Gas With VersaFlo
Trade Grade	ZODJXIVFKIT	JXIVFKIT	VersaFlo Bypass Kit
Trade Grade	ZODJXI200N	JXI200N	200,000 BTU Natural Gas - Electronic
Trade Grade	ZODJXI200P	JXI200P	200,000 BTU Propane Gas - Electronic
Trade Grade	ZODJXI260N	JXI260N	260,000 BTU Natural Gas - Electronic
Trade Grade	ZODJXI260NK	JXI260NK	260,000 BTU Natural Gas With VersaFlo
Trade Grade	ZODJXI260P	JXI260P	260,000 BTU Propane Gas - Electronic
Trade Grade	ZODJXI260PK	JXI260PK	260,000 BTU Propane Gas With VersaFlo
Trade Grade	ZODJXI400N	JXI400N	400,000 BTU Natural Gas - Electronic
Trade Grade	ZODJXI400P	JXI400P	400,000 BTU Propane Gas - Electronic

HEAT PUMP



- Proprietary ultra efficient titanium heat exchanger
- AquaLink® automation-ready digital control
- Easy to operate Dual Thermostats (Pool/Spa)
- Versa Plumb® Ready

	Imperial No.	Part Number	Description
Trade Grade	ZODJE3000T	JE3000T	Jandy Pro Series - 132,000 BTU
Trade Grade	ZODJE2500T	JE2500T	Jandy Pro Series - 119,000 BTU

STA-RITE MAX-E THERM HEATERS



Imperial No.	Part Number	Description
144361	SR200LP	200,000 BTU Propane Gas Heater
144362	SR333NA	333,000 BTU Natural Gas Heater
144363	SR333LP	333,000 BTU Propane Gas Heater
144364	SR400NA	400,000 BTU Natural Gas Heater
144365	SR400LP	400,000 BTU Propane Gas Heater

SOLAR

COVERS STANDARD COVER - 3 YEAR WARRANTY



Imperial No.	Part Number	Description
144012	STANDARD	12' x 24'
144013		16' x 32'
144014		16' x 36'
144015		18' x 36'
144017		20' x 40'
144020		22' x 44'
144019	SB483	4' x 8'

INGROUND SOLAR

COVERS

DELUXE COVER - 5 YEAR WARRANTY



Imperial No.	Part Number	Description
14400112	12 MIL.	12' Round
1440011636		16' x 36'
144041		16' x 32'
144042		18' x 36'
144043		20' x 40'
144044		25' x 45'

ACCESSORIES



Imperial No.	Part Number	Description
FG102E	FG-PFS	Solar Cover Fasteners, 1 Pack Of 10
FG105	FG-RS26	Reel Strapping
144035	HV-7010	Horizon Ventures Universal Solar Reel Attachment Kit. All the straps, clamps, and Velcro needed to attach your solar blanket to your reel. Includes 8 straps.

LIQUID SOLAR



Imperial No.	Part Number	Description
EPM050	48017070	12 X 1 Quart
NC07100	17100NCM	Cover Free - 12 x 32 oz
SMPAP72	90123APL	4" Solar Pill (Sold as case of 12)

REELS

ROCKYS

PORTABLE EZ ROLLERS



Imperial No.	Part Number	Description
144045	307/323	16' to 20' Portable Model - Inground with Adj. Tubing
144046	307/325	22' to 24' Portable Model - Inground with Adj. Tubing
144047	307	Portable #3A Frame Only - Use AT1 or AT2 Tubing
144053	317	Portable #5A Frame Only - Use AT1 or AT2 Tubing
144038	323	AT-1 Adjustable Tubing 15' - 2" to 21'
144039	325	AT-2 Adjustable Tubing 17' 10" to 24' 6"

JUNIOR COMMERCIAL



Imperial No.	Part Number	Description
14404820	20FT JR	20' Jr. (80' Cover Length Max.)
14404824	24FT JR	24' Jr. (70' Cover Length Max.)
14404828	28FT JR	28' Jr. (65' Cover Length Max.)

SENIOR COMMERCIAL



Imperial No.	Part Number	Description
14404920	20FT SR	20' Sr. (95' Cover Length Max.)
14404924	24FT SR	24' Sr. (85' Cover Length Max.)
14404928	28FT SR	28' Sr. (70' Cover Length Max.)
14404930	30FT SR	30' Sr. (65' Cover Length Max.)

INGROUND SOLAR

REELS

FEHERGUARD



Features: 20" wheels to roll over any surface, wide track bearings for ease of turning, handles at both ends, and telescoping tubes with rib-locking design.

Imperial No.	Part Number	Description
142031	FG1B/L18M	Wheels Reel - Max cover size - 18x36
142030	FG1B/L20M	Wheels Reel - Max cover size - 20x40
142033	FG-BH/L18M	Blanket Handler Reel - Max cover size - 18x36
142032	FG-BH/L20M	Blanket Handler Reel - Max cover size - 20x40

CONTROLS & TIMERS

For the salt cells please go to the Chemicals - Sanitizing Section.

CONTROLS

HAYWARD

OMNILOGIC



Imperial No.	Part Number	Description
141160	HLWALLMOUNT	Hayward Logic Wall Mount Remote
141161	HL-CHEM	Hayward Logic Dual Protocol Sense and Dispense
141181	HLBASE	Hayward Logic 4 Relay Main Panel
141193	HLWLAN	Hayward Logic Wireless Network Antenna
141194	HLRELAY	Hayward Logic 1 Relay Module
141195	HLRELAYBANK	Hayward Logic 4 Relay Module
141199	HLIOEXPAND	Hayward Logic 4x4x4 Valves, Sensors, Inputs

AQUAPLUS



Imperial No.	Part Number	Description
AQLPLUS	PL-PLUS	Aquaplus P4 unit complete with Turbo Cell
141197	PL-PLUS-16V	Aqua Plus Salt Chlorine Generator - for inground pools up to 40,000 gallons/with Tcell 15. Comes equipped with 8 relays, 4 valves, 2 heaters + solar. Manages 2 heaters and 1 solar

PROLOGIC



Imperial No.	Part Number	Description
AQLP4	PL-PS-4	Controls 4 relays, 4 valves, 2 heaters + solar

PROLOGIC OPTIONS



Imperial No.	Part Number	Description
AQLCHEM2	AQL-CHEM2	Sense and Dispense kit pH & solenoid

PROLOGIC WIRELESS REMOTES



Imperial No.	Part Number	Description
AQL2POD2	AQL2-POD2	Handheld RF Floating Control 2
AQL2SSRF	AQL2-SS-RF	Wireless Spa Side Remote
AQL2TWRFP4	AQL2-TW-RF-P-4	Wireless Tabletop white, for use with P-4 System
AQL2TWRFPS4	AQL2-TW-RF-PS-4	Wireless Tabletop white, for use with PS-4 System
AQL2TWRFPS8	AQL2-TW-RF-PS-8	Wireless Tabletop white, for use with P-8 System
AQL2WWRFPS8	AQL2-WW-RF-PS-8	White, for use with P-8 System
AQLWWRFPS4	AQL2-WW-RF-PS-4	White, for use with P-4 System

INGROUND

CONTROLS & TIMERS

For the salt cells please go to the Chemicals - Sanitizing Section.

CONTROLS

HAYWARD

WIRELESS BASE



Imperial No.	Part Number	Description
AQL2BASERF	AQL2-BASE-RF	Wireless Base (For use with Aqua Pod and in-house panel)

AQUACONNECT



Imperial No.	Part Number	Description
AQCOHOMENET	AQ-CO-HOMENET	Aquaconnect Home Network internet and Wi-Fi remote control
AQCOSERIAL	AQ-CO-SERIAL	AquaConnect Home Automation Serial Interface

VALVE ACTUATOR



Imperial No.	Part Number	Description
GVA24	GVA-24	Goldline valve actuator, 24 V, 75 A, 15 ft cable

PENTAIR

INTELLICENTER CONTROL SYSTEM WITH INTELLICHLOR TRANSFORMER & CELL

Imperial No.	Part Number	Description
PF521905	521905	IntelliCenter System Load Center i5P, IC40, Pool Only
PF521906	521906	IntelliCenter System Load Center i5P, IC40, Pool and Spa

EASY TOUCH - CONTROL SYSTEMS WITH INTELLICHLOR TRANSFORMER & CELL



Imperial No.	Part Number	Description
PF520592	520592	Easy Touch 4PSC-IC20 - Pool Only w/IC20 Salt Cell
PF520704	520704	Easy Touch 8PSC-IC20 - Pool Only w/IC20 Salt Cell
PF520593	520593	Easy Touch 4PSC-IC40 - Pool Only w/IC40 Salt Cell
PF520542	520542	Easy Touch 4SC-IC20 - Pool/Spa w/IC20 Salt Cell
PF520544	520544	Easy Touch 8SC-IC20 - Pool/Spa w/IC20 Salt Cell
PF520543	520543	Easy Touch 4SC-IC40 - Pool/Spa w/IC40 Salt Cell
PF520545	520545	Easy Touch 8SC-IC40 - Pool/Spa w/IC40 Salt Cell

EASY TOUCH - CONTROL SYSTEMS WITHOUT INTELLICHLOR TRANSFORMER



Imperial No.	Part Number	Description
PF520538	520538	Easy Touch 4 - Pool/Spa
PF520540	520540	Easy Touch 8 - Pool/Spa
PF520591	520591	Easy Touch 4P - Single Body of Water
PF520703	520703	Easy Touch 8P - Single Body of Water

INGROUND CONTROLS & TIMERS

For the salt cells please go to the Chemicals - Sanitizing Section.

CONTROLS

PENTAIR

EASY TOUCH - PL4 & PSL4 POOL & SPA CONTROL SYSTEMS



Imperial No.	Part Number	Description
PF522352	522352	Easy Touch PL4 - Pool Only
PF522354	522354	Easy Touch PSL4 - Pool and Spa

EASY TOUCH - ACCESSORIES



Imperial No.	Part Number	Description
PF520106	520106	3 HP Relay
PF520198	520198	2 Speed 3 HP Relay
PF520272	520272	Temperature Sensor

EASY TOUCH - REMOTE CONTROLLERS



Imperial No.	Part Number	Description
PF520546	520546	Easy Touch Wireless Controller for 4 Circuit System
PF520548	520548	Easy Touch ICP (Indoor Control Panel) for 4 Circuit System
PF520549	520549	Easy Touch ICP (Indoor Control Panel) for 8 Circuit System
PF521209	521209	Quick Touch 4 Button Wireless Remote

INTELLITOUCH - LOAD CENTER



Imperial No.	Part Number	Description
PF521213	521213	Load Center with intellichlor transformer
PF521215	521215	Load Center without intellichlor transformer

INTELLITOUCH - POOL ONLY OR SPA ONLY



Imperial No.	Part Number	Description
PF521223	521223	i5 + 3S
PF521224	521224	i9 + 3S

INTELLITOUCH - POOL/SPA/SPILLOVER COMBINATION W/SHARED EQUIPMENT



Imperial No.	Part Number	Description
PF521219	521219	i5 + 3
PF521221	521221	i9 + 3

INGROUND

CONTROLS & TIMERS

For the salt cells please go to the Chemicals - Sanitizing Section.

CONTROLS

PENTAIR

INTELLITOUCH - INDOOR WIRED CONTROL PANEL



Imperial No.	Part Number	Description
PF520138	520138	Wired Indoor Control Panel

INTELLITOUCH - WIRELESS REMOTE



Imperial No.	Part Number	Description
PF520906	520906	MobileTouch wireless Accessory kit includes wireless remote and transceiver module with antenna

SCREENLOGIC



Imperial No.	Part Number	Description
PF522104	522104	Screenlogic interface and wireless connection kit



System	Features	Total Pools & Spa Automation	Variable Speed Pump Control	Frame Protection	Color Light Control	Solar Priority	AquaLink Control	Location Sense & Programming	Windows & Doors Included	One-Touch Maxima / Minima	8-Function Spa Lines	4-Button Spa Line Remote	SpaSense & Heat-Activated Filtration (Swimming Pools)	Temperature Powering Logic	Lockdown Logic on Spa	Sp. Control	Compatible with Home Automation
● AquaLink® RS	✓	✓	✓	✓	✓	0	0	0	6	0	0	✓	✓	✓	✓	0	0
● AquaLink PDA	✓	✓	✓	✓	✓	0	-	✓	2	-	0	-	-	-	0	-	-

KEY: ✓ Included | □ Optional | - Not Available

1. Select the system board



● AquaLink RS

Pool & Spa Combo	Pump, Heater, & 3 Aux	RS-PS4	1	4	+	0	=	4	2 / 4
Dual Body - Shared Equipment	Pump, Heater, & 5 Aux	RS-PS6	1*	4	+	2	= <td>6</td> <td>2 / 4</td>	6	2 / 4
	Pump, Heater, & 7 Aux	RS-PS8	1*	4	+	4	= <td>8</td> <td>2 / 4</td>	8	2 / 4
	Pump, Heater, & 11 Aux	RS-PS12	2*	8	+	4	= <td>12</td> <td>2 / 8</td>	12	2 / 8
	Pump, Heater, & 15 Aux	RS-PS16	2*	8	+	8	= <td>16</td> <td>2 / 8</td>	16	2 / 8
Pool Only / Spa Only	Pump, Heater, & 3 Aux	RS-P4	1	4	+	0	= <td>4</td> <td>0 / 4</td>	4	0 / 4
Single Body Only	Pump, Heater, & 5 Aux	RS-P6	1*	4	+	2	= <td>6</td> <td>0 / 4</td>	6	0 / 4
	Pump, Heater, & 7 Aux	RS-P8	1*	4	+	4	= <td>8</td> <td>0 / 4</td>	8	0 / 4
Pool & Spa Dual	2 Pumps, 2 Heaters, & 6 Aux	RS2-6	1*	4	+	4	= <td>8</td> <td>0 / 4</td>	8	0 / 4
Dual Body - Dual Equipment	2 Pumps, 2 Heaters, & 10 Aux	RS2-10	2*	8	+	4	= <td>12</td> <td>0 / 8</td>	12	0 / 8
	2 Pumps, 2 Heaters, & 14 Aux	RS2-14	2*	8	+	8	= <td>16</td> <td>0 / 8</td>	16	0 / 8
	2 Pumps, 2 Heaters, & 22 Aux	RS2-22	3*	12	+	12	= <td>24</td> <td>0 / 12</td>	24	0 / 12
	2 Pumps, 2 Heaters, & 30 Aux	RS2-30	4*	16	+	16	= <td>32</td> <td>0 / 16</td>	32	0 / 16

● AquaLink PDA

Pool & Spa Combo	Pump, Heater, & 3 Aux	PDA-PS4	1	4	+	0	=	4	2 / 4
Dual Body - Shared Equipment	Pump, Heater, & 5 Aux <td>PDA-PS6 <td>1*</td> <td>4</td> <td>+</td> <td>2</td> <td>= <td>6 <td>2 / 4</td> </td></td></td>	PDA-PS6 <td>1*</td> <td>4</td> <td>+</td> <td>2</td> <td>= <td>6 <td>2 / 4</td> </td></td>	1*	4	+	2	= <td>6 <td>2 / 4</td> </td>	6 <td>2 / 4</td>	2 / 4
	Pump, Heater, & 7 Aux <td>PDA-PS8 <td>1*</td> <td>4</td> <td>+</td> <td>4</td> <td>= <td>8 <td>2 / 4</td> </td></td></td>	PDA-PS8 <td>1*</td> <td>4</td> <td>+</td> <td>4</td> <td>= <td>8 <td>2 / 4</td> </td></td>	1*	4	+	4	= <td>8 <td>2 / 4</td> </td>	8 <td>2 / 4</td>	2 / 4
Pool Only / Spa Only	Pump, Heater, & 3 Aux <td>PDA-P4 <td>1*</td> <td>4</td> <td>+</td> <td>0</td> <td>= <td>4 <td>0 / 4</td> </td></td></td>	PDA-P4 <td>1*</td> <td>4</td> <td>+</td> <td>0</td> <td>= <td>4 <td>0 / 4</td> </td></td>	1*	4	+	0	= <td>4 <td>0 / 4</td> </td>	4 <td>0 / 4</td>	0 / 4
Single Body Only	Pump, Heater, & 7 Aux <td>PDA-P8 <td>1*</td> <td>4</td> <td>+</td> <td>4</td> <td>= <td>8 <td>0 / 4</td> </td></td></td>	PDA-P8 <td>1*</td> <td>4</td> <td>+</td> <td>4</td> <td>= <td>8 <td>0 / 4</td> </td></td>	1*	4	+	4	= <td>8 <td>0 / 4</td> </td>	8 <td>0 / 4</td>	0 / 4

* Assumes up to eight 3HP relays per power center. The 4HP power center can only be used with two 3HP relays.

2. Select interfaces

AquaLink® Interfaces

Device	Description	Part Number	Device	Description	Part Number
Zodiac AquaLink™ Web-Connect Device	Antenna Only Upgrade Kit	IQ20-A IQ20-RS	AquaLink Wireless Remote	Wireless Remote & Transceiver	ADPLM
AquaLink RS** One-Touch™	One-Touch, White One-Touch, Black	7933 7934	SpaLink*** 8-Function Spa Remote	White 150" w/ Frame Bray 150" w/ Frame Black 150" w/ Frame Flush-Mount Mud Box	7227 7887 7888 7940
AquaLink RS** All-Button	4-Function (P&S) 6-Function (P&S) 8-Function (P&S)	6890 6888 6886	Spa Side** 4-Function Spa Remote	White 100" White 100" Black 100" Gray 100"	7443 7441 7442 8049

** See catalog for other available configurations.

3. Select the power center(s)

AquaLink & PureLink™ Power Centers

Power Center	3HP Relays Included/Max	Sub-Panel	Number of Breakers (Max)	Salt Water Chlorinator Control	Part Number
PureLink Sub-Panel Power Center for Automation and Salt Water Chlorination	4/8	✓	12	✓	6514AP-L
PureLink Power Center for Automation and Salt Water Chlorination	4/8	No	0	✓	6613AP
Standard Sub-Panel Power Center for Automation Control Systems	4/8	✓	12	No	6614-LD
Standard Power Center for Automation Control Systems	4/8	No	0	No	6613
Compact Power Center for Basic Automation Control Systems	4/4	No	0	No	6612F
AquaPure® Power Pack. Used to Power & Control AquaPure & Fusion Soft Salt Water Chlorinators. Not an Enclosure for Automation Systems. <small>Note: FSOFT700 & FSOFT1400 are NSF approved only when used with FUSIONM.</small>	0/0	No	0	✓	APUREM/ FUSIONM

4. Choose a salt water chlorinator

Salt Water Chlorination

Device	Versa Pump®	Per Pools Up to	Part Number
AquaPure 3-Port Salt Water Chlorinator Cell	✓	12K Gallons	PLC700
Fusion Soft — Salt Water Chlorinator System with Integrated Nature2™ Mineral Sanitizer Technology	✓	48K Gallons	PLC1400
	✓	12K Gallons	FSOFT700
	✓	48K Gallons	FSOFT1400

For live help selecting the right automation system or for tech support for any other Zodiac, Jandy, Polaris®, Barocuda®, or Nature2® product, please call Zodiac tech support M-F 8 a.m. - 5 p.m. (Pacific), 9 a.m. - 8 p.m. (Eastern) at 1-800-822-7953, or email us any time at productsupport@zodiac.com

INGROUND

CONTROLS & TIMERS

For the salt cells please go to the Chemicals - Sanitizing Section.

CONTROLS

ZODIAC

AQUALINK



Imperial No.	Part Number	Description
ZOD6888	6888	AquaLink RS All Button,Wired,C ombo,PS6
ZODIQ20A	IQ20-A	Zodiac iAQUALINK 2.0 Network Interface Module
ZODIQ904P	IQ904-P	Zodiac RS P4 Pool Only Bundle with iAQUALINK
ZODIQ904PS	IQ904-PS	Zodiac RS PS4 Pool-Spa Bundle with iAQUALINK

POOL & SPA ONLY SYSTEMS



Imperial No.	Part Number	Description
JAPDAPS	PDA-P8	PDA 8 Pool and Spa Only [Includes PDA remote]Controls Pump & filter cycles,Heater Controls,2 Actuator Valves , and 8 Auxiliary Functions

POOL & SPA COMBO SYSTEMS



Imperial No.	Part Number	Description
JAPDAPS4	PDA-PS4	PDA 4 Pool and Spa Combination [Includes PDA remote]Controls Pump & filter cycles,Heater controls,2 Actuator Valves,and 4 Auxiliary Functions
JAPDAPS8	PDA-PS8	PDA 8 Pool and Spa Combination [Includes PDA remote]Controls Pump & filter cycles,Heater Controls,2 Actuator Valves , and 8 Auxiliary Functions

CONTROL ACCESSORIES



Imperial No.	Part Number	Description
149598	4424	Jandy 2440 Valve Actuator
JA7940	7940	SpaLink RS Flush Mount Mud Box
ZODAQWHR18	AQWHR18	AquaPalm Handheld Wireless Remote with J-box Transceiver

SR SMITH



Imperial No.	Part Number	Description
144435	WPC1-XXXX-X	For 1 speed pumps - 24 hr Time Clock for pump control *30A max, with 2 wireless circuits for 120V light switching
144436	WPC2-XXXX-X	For 1 speed pumps - 24 hr Time Clock for pump control *30A max, 100A sub-panel with 2 wireless circuits for 120V light switching

TIMERS

INTERMATIC



Imperial No.	Part Number	Description
INT156T1978A	156T1978A	On/Off Trippers for Timer [Set]
149678	T104R3	40 Amp 24 Hour Time Clock, 208-277V DPSTT, Beige Steel case
149688	T104P3	40 Amp 24 Hour Time Clock, 208-277V DPSTT, Beige Plastic case
149689	T104P201	40 Amp 24 Hour Time Clock with 10 amp SPDT heater cutoff switch, 208-277V DPST, Beige Plastic case
149690	T101P3	40 Amp 24 Hour Time Clock, 125V SPST, Beige Plastic case
INT10404R	T10404R	Two T104M in 10x10x4.5 in Outdoor Enclosure
INT104M	T104M	40 Amp 24 Hour Time Clock mechanism only, 208-277V DPST
INTP1101	P1101	Portable timer

INGROUND

CONTROLS & TIMERS

For the salt cells please go to the Chemicals - Sanitizing Section.

TIMERS

INTERMATIC

Imperial No.	Part Number	Description
INTPF1102T	PF1102T	Timer W/Rainproof Enclosure 240V with Freeze Protect
INTPF1103T	PF1103T	Freeze Protection Control - Timer w/Thermostat, Rainproof Enclosure, 102/240V, Neutral on 240V
INTPF1202T	PF1202T	Freeze Protection Control - For pools w/cleaner, requires two time switches, 240V
INTT30404R	T30404R	100 Amp Control Center

LIGHTING

LED

HAYWARD

COLOR LOGIC POOL LIGHT



Imperial No.	Part Number	Description
HAYLKCUS1100	LKCUS1100	Color Logic Light Controller
148831	SP0527LED30	120 Volt, 30' cord, plastic ring
148851	SP0527LED50	120 Volt, 50' cord, plastic ring
148871	SP0527LED100	120 Volt, 100' cord, plastic ring
148880	SP0527SLED30	120 Volt, 30' cord, stainless ring
148881	SP0527SLED50	120 Volt, 50' cord, stainless ring
148897	SP0527SLED100	120 Volt, 100' cord, stainless ring

COLOR LOGIC SPA LIGHT



Imperial No.	Part Number	Description
148893	SP0535LED30	120 Volt, 30' cord Spa Light, plastic ring
148894	SP0535LED50	120 Volt, 50' cord Spa Light, plastic ring
148889	SP0535SLED50	120 Volt, 50' cord Spa Light, stainless ring

UNIVERSAL COLOR LOGIC LIGHT



Imperial No.	Part Number	Description
148891	LPCUS11030	12 Volt LED Light 30 ft Cord
148842	LPCUS11050	12 Volt LED Light 50 ft Cord

ACCENT LIGHT

The new 1.5" pool, spa or accent lights provide low-profile, total color coordination of all water environments and complete synchronization with all Universal ColorLogic lights. With 10 fixed colors and 7 color-changing shows, the ColorLogic 1.5-inch light is ideal for highlighting steps, bubblers, Baja shelves and other water features. White light is the CrystalLogic.



Imperial No.	Part Number	Description
HAYLACUS11100	LACUS11100	ColorLogic 320 Accent Light Only, 12V, 100' Cord
HAYLAWUS11100	LAWUS11100	CrystalLogic 320 White Accent Light Only, 12V, 100' Cord
HAYSP0538AFBLK	SP0538AFBLK	Accent Light Wall Fitting, Vinyl - Black
HAYSP0538AFDGR	SP0538AFDGR	Accent Light Wall Fitting, Vinyl - Dark Gray
HAYSP0538AFGR	SP0538AFGR	Accent Light Wall Fitting, Vinyl - Gray

INGROUND LIGHTING

LED PENTAIR

INTELLIBRITE LED POOL LIGHT



Submersible LED color light. Fits all full size Pentair/American/Purex niches.

Imperial No.	Part Number	Description
PF601001	601001	120V, 50' cord
PF601002	601002	120V, 100' cord
PF601302	601302	120V, 100' cord
PF600100	601000	120V, 30' cord
PF600103	601010	12V, 30' cord
PF600104	601011	12V, 50' cord

INTELLIBRITE SPA LIGHTS



Imperial No.	Part Number	Description
PF640050	640120	120V, 30' cord
PF640121	640121	120V, 50' cord

INTELLIBRITE CONTROLLER



Imperial No.	Part Number	Description
PF600054	600054	Intellibrite Controller

GLOBRITE

Up to three lights need 100 watt transformer, more than three need 300 watt transformer



Imperial No.	Part Number	Description
PF602055	602055	GloBrite 12V 100' Cord
PF620039	620039	Vinyl Niche for GloBrite[includes white, blue and gray rings]
PF620041	620041	Fiberglass Niche for GloBrite
PF620081	620081	Vinyl Combo [2 lights, 2 vinyl niches,1 300 watt transformer]

MICROBRITE

Imperial No.	Part Number	Description
PF620425	620425	Microbrite Color LED Light 100' Cord
PF620429	620429	Microbrite White LED Light 100' Cord

AMERBRITE



Imperial No.	Part Number	Description
PF602060	602060	Amerbrite color LED replacement lamp 12 volt 500W
PF602077	602077	Amerbrite white LED replacement lamp 120 volt 500W

COLORVISION LED BUBBLER



Imperial No.	Part Number	Description
PF580036	580036	ColorVision LED Bubbler
PF590127Z	590127Z	Gray Ring Kit for Colorvision Light

INGROUND LIGHTING

LED

SR SMITH

PAL TREO



12VAC low voltage underwater light - 5W Color Changing LED Array - Fits most 1.5" wall fittings. Must use with appropriate 12VAC magnetic transformer, *not included*. The PAL-Treo can color synch with new 2010, CLS-2 version of Light Streams LED water features.

Imperial No.	Part Number	Description
SRSFLEDCTR	FLED-C-TR-PK8	Color Treo Light 80' cord
SRSFLEDCTR150	FLED-C-TR-150-PK8	Color Treo Light 150' cord
144478	2TR-WIRTRAN	Treo Combo Kit 2 Lights and Wirtran
144477	3TR-WIRTRAN	Treo Combo Kit 3 Lights and Wirtran

FIBERGLASS LIGHT



12VAC low voltage underwater light - 5W Color Changing LED Array or 50W Xenon white lamp - 79' cord must be used with appropriate 12VAC magnetic transformer - not included. The color light can color sync with new 2010, CLS-2 version of Light Streams LED water features. *FOR FIBERGLASS POOLS ONLY*

Imperial No.	Part Number	Description
144475	FLED-C-FG	5W, 12VAC Underwater Color light - complete assembly w/ 100k hr. LED array - syncable, 12V only 80' CORD

MICRO LIGHT



Imperial No.	Part Number	Description
144472	FLED-TM-C	Micro Light 80 Ft Cord
144476	FLED-TM-C-150	Micro Light 150 Ft Cord

POWER TOWER



Imperial No.	Part Number	Description
144468	PT-BASE	Optional base for PT-6000. For use when original 2000/6000 Series is not available

COLOR LIGHT STREAMS LED KIT



A Complete line up of LED Color Changing Synchronized water features!
Each Color Light Stream Light Driver includes 100' of 12V wire
2010 version will now color synch with all Fiberstars PAL LED underwater lights.
6 vibrant colors, 2 color change modes, you set it the way you like it!

Imperial No.	Part Number	Description
144471	CLSLL	Color Light Streams Large Laminar -Includes Deck Box & LED Light Driver

CUSTOM MOLDED PRODUCTS

BRILLIANT WONDERS



Imperial No.	Part Number	Description
CMP25503560100H	25503-560-100H	Brilliant Wonders LED Light Kit With 100' Cord - H - Style
CMP25503560100P	25503-560-100P	Brilliant Wonders LED Light Kit With 100' Cord - P Style

INGROUND LIGHTING

LED

CUSTOM MOLDED PRODUCTS

LED BUBBLER

LED light is below water's surface from 4 to 10 inches, stream shoots 10 to 30 inches high, 9 colors, 12 volt needs transformer.



Imperial No.	Part Number	Description
CMP25503100000	25503-100-000	Led Bubbler, Gunite Unit with 100 Ft. Cord
CMP25503300000	25503-300-000	White Vinyl / FiberGlass Kit (Need for Vinyl & FiberGlass Pool Installation) Other Colors Available

BRILLIANT WONDERS LED CONTROL

The Brilliant Wonders LED Light Control is compatible with all Brilliant Wonders LED products, LED Lighting from Hayward, Pentair and Zodiac.



Imperial No.	Part Number	Description
CMP25650201000	25650-201-000	Brilliant Wonders LED Control

ZODIAC



Imperial No.	Part Number	Description
ZODJLU4C12W100S	JLU4C12W100S	WaterColors RGBW, 12W, 150' Cord
ZODCPHVRGBWS50	CPHVRGBWS50	120 Volt, 50' cord, stainless ring
ZODCPHVRGBWS100	CPHVRGBWS100	120 Volt, 100' cord, stainless ring

INCANDESCENT

HAYWARD ASTROLITE



Imperial No.	Part Number	Description
141267	SP058130	300 Watt, 12V Astrolite Light Only 30' Cord
141268	SP0582L30	300 Watt, 120V Astrolite Light Only 30' Cord
141269	SP0582L50	300 Watt, 120V Astrolite Light Only 50' Cord
141350	SP0583L30	500 Watt, 120V Astrolite Light Only - 30' Cord
141351	SP0583L50	500 Watt, 120V Astrolite Light Only 50' Cord
HAYSP583L100	SP0583L100	500 Watt, 120V Astrolite Light Only 100' Cord
151333	R40FL300/HG	300 W, 110 V Bulb R-40
151335	R40FL500/HG	500 W, 110 V Bulb R-40
151352	R40FL300/12V	300 W, 12 V - Floodlamp - Medium Base

COLOR LENS KIT



Imperial No.	Part Number	Description
141274	SP0580L	Astrolight Colored Lens Kit - Amber, Light Blue, Dark Blue and Red Snap On Lens
PF600140	600140	Aqua-Lumin Kwik Change Lens Set (set of 3)

PENTAIR AQUA-LUMIN NICHELESS



Imperial No.	Part Number	Description
149913	78864200	250W, 120V, 50' Cord.
149910	78887700	Mounting Bracket, Vinyl Liner, 3/4" hub.
149945	Q250T3C/S	250W, 120V Light Bulb For Aqua-Lumin
149999	78887800	Mounting Bracket, Vinyl Liner, 1" hub

INGROUND LIGHTING

INCANDESCENT PENTAIR AMERLITE



Imperial No.	Part Number	Description
AP78438100	78438100	300W, 12V "Light Only" - 50' Cord.
AP78448100	78448100	400W, 120V "Light Only" - 50' Cord.
AP78456300	78456300	500W, 120V "Light Only" - 100' Cord.
AP78458100	78458100	500W, 120V "Light Only" - 50' Cord.
151335	R40FL500/HG	500 W, 110 V Bulb R-40
151352	R40FL300/12V	300 W, 12 V - Floodlamp - Medium Base
151366	R40FL400/HG	400 W, 120 V - Floodlamp - Medium Base

PENTAIR AQUA-LITE HALOGEN-QUARTZ



Imperial No.	Part Number	Description
AP77168100	77168100	250W, 120V "Light Only" - 50' Cord. Low Water Cut-off. Red & Blue Lenses.

LIGHT NICHES HAYWARD



Imperial No.	Part Number	Description
149822	TLD10HT	Light Niche Repair Kit for Hayward Niche
HAYLFVUY1000	LFVUY1000	Jiffy Niche for Vinyl/Fiberglass
141270	SP0607U	Injection Molded PVC Waterproof Fixture Housing Assembly. 3/4" or 1" socket conduit connection. For Vinyl, FG pools.
141271	SP0600U	Injection Molded PVC Fixture Housing Assembly 3/4" or 1" Socket conduit connection. For Concrete, Gunite Pools.
HAYSP0608U	SP0608U	Jiffy Niche - Small - Vinyl/Fiberglass

PENTAIR



Imperial No.	Part Number	Description
149821	TLD10QN	Repair Kit For Light Niche
AP630044	630044	Ring Seal Quick Niche - Gray
PF620040	620040	Globrite Gunite Niche
149479	620004	Vinyl liner plastic quick niche mounts and seals like a vinyl inlet fitting with back-up ring installation.
149475	78232400	Stainless Steel Niche Assembly. 3/4" Conduit Connector. Chrome Face Rim. (Vinyl Liner)
AP78232500	78232500	Stainless Steel Niche Assembly. 1" Conduit Connector. Chrome Face Rim. (Vinyl Liner)
149477	78210500	Stainless Steel Niche Assembly. 1" Conduit Connector. Concrete.
149484	78242200	Stainless Steel Niche Assembly. 3/4" Conduit Connector. Chrome Face Rim. Fiberglass, Wood & Metal.
AP78242300	78242300	Stainless Steel Niche Assembly. 1" Conduit Connector. Chrome Face Rim. Fiberglass, Wood & Metal.

TOOLS & ACCESSORIES



Imperial No.	Part Number	Description
149827	TLD10T	Repair Kit For Light Niche
149828	TLD10D	Disc Enclosure For Light Niche
PT104F	104F	Pool Light Zinc Anode
152049	132	Pool Tool Light Wedge [holds light in when niche tab is stripped or broken]

INGROUND LIGHTING

TRANSFORMERS



Imperial No.	Part Number	Description
INTPX100	PX100	PX100 Transformer 100 Watt
141273	PX300	300 Watt, 12V Transformer (UL-Weatherproof)

JUNCTION BOXES



Imperial No.	Part Number	Description
141272-2	LJBUY00PP1	1 3/4"
AP78310700	78310700	3/4" x 1 3/4" ports
TCJBP75175	JBP75175	3/4" single fixture junction box 3 HOLE 2 CORD
HAYLTBUY11H65	LTBUY11H70	J-Box / Transformer
INTPJB2175	PJB2175	Plastic Pool/Spa Junction Box

WIRELESS LIGHT CONTROLS

SR SMITH



Imperial No.	Part Number	Description
144435	WPC1-XXXX-X	For 1 speed pumps - 24 hr Time Clock for pump control *30A max, with 2 wireless circuits for 120V light switching
144436	WPC2-XXXX-X	For 1 speed pumps - 24 hr Time Clock for pump control *30A max, 100A sub-panel with 2 wireless circuits for 120V light switching
144469	WIR-TRAN	Wireless Light Control w/ internal 12V transformer & 1 button remote. Simple, inexpensive control and power source for PAL-2000 Color LED pool lights and Light Streams water features. Max capacity, 30W
144478	2TR-WIRTRAN	Treo Combo Kit 2 Lights and Wirtran
144477	3TR-WIRTRAN	Treo Combo Kit 3 Lights and Wirtran

FIBER OPTIC

INSTALLATION TOOLS & ACCESSORIES



Imperial No.	Part Number	Description
144465	HI-111	200W 19.7V Halogen Replacement Lamp for 200 F Series Illuminator.
144434	FS-117	Lens tightening tool.
144432	FS-118	Heavy duty hot knife 60 watt.

maytronics | Dolphin

Bringing the power of the cloud to Maytronics robotic pool cleaners

T55i

T45

always connected
Wi-Fi

Always Connected

This Dolphin is always as close to you as your mobile phone or tablet. The MyDolphin™ Plus Wi-Fi® app puts full control of your robot right in your hand - from anywhere, at any time.



Exceptional Experience

www.maytronicsus.com

FORTIFIED STEEL PANELS

Legacy
EDITION POOLS®
a heritage of excellence


generation
pools®
Where family happens™



ARMOR GUARD™
• FORTIFIED STEEL PROTECTION •

Simply put, we make
the strongest steel
pools in the industry.

Our steel panels are built to withstand extreme conditions, and fortified with our pioneering Imperial Armor Guard™, an additional coat of protection designed to prevent corrosion and extend the life of your panels.

 **Imperial**
POOLS INC.
REDEFINING ONE SOURCE

33 Wade Rd
Latham, New York 12110
www.imperialpools.com


MANUFACTURING AND DISTRIBUTION CASH BACK

Get Cash Back on everything
you buy from Imperial
Manufacturing and Distribution!

To find out how, contact your Imperial Sales
Director for details and eligibility.

INGROUND CLEANERS

ROBOTIC MAYTRONICS

T SERIES CLEANER



	Imperial No.	Part Number	Description
Trade Grade	149859	99996137-WINF	T25 - Inground Robotic Cleaner
Trade Grade	149868	99996240-WIN	T35 - Inground Robotic Cleaner
Trade Grade	149869	99996241-WINI	T45 - Inground Robotic Cleaner
Trade Grade	149875	99996245-WINI	T55i - Inground Robotic Cleaner

DOLPHIN CLEANER AND ACCESSORIES

Imperial No.	Part Number	Description
149072	99996376-DX4	DX4 - cleans all pool surfaces & scrubs the waterline, 110v, 60ft. Cord, swivel cable, weekly timer feature & Remote Control - full clean or quick clean feature, weekly timer & full bag indicator light.
149079	9993179-R1	Dolphin Wireless Remote - Apollo & DX4 units only
149088	9996084-ASSY	Dolphin Caddy for all Dolphin Cleaners
MAY99954307ASSY	99954307-R1	Filter Bag 70 Micron
SMPDL9995430	9995430-R1	Dolphin Filter Bag
SMPDLWB05	9991440-R2	Dolphin Wonderbag disposable Filter bag - 5 count
MAY9995678USASSY	9995678-US-ASSY	Power Supply For Dolphin Apollo

HAYWARD



Imperial No.	Part Number	Description
141800	RCH601CUY	AquaVac 600 Cleaner With Caddy
141801	RCH651CUY	AquaVac 650 With Caddy
HAYRC99990	RC99990CUB	TigerShark QC 110v 55ft. Cord
HAYRC99385	RC99385	TigerShark Caddy Cart
141396	RC9742WCCUBY	SharkVac XL with caddy 60ft cord
141397	RC3431CUY	AquaVac 500 with Caddy Cart
141319	RC3400CC	AquaVac 500 Caddy Cart ONLY

PENTAIR



	Imperial No.	Part Number	Description
	PF360323	360323	Kreepy Krauly Prowler 930
Trade Grade	PF360322	360322	Kreepy Krauly Prowler 920

POLARIS



Imperial No.	Part Number	Description
ZODF7240	F7240	Polaris 7240 Sport Robotic Cleaner
ZODF8050	F8050	Polaris 8050 Sport Robotic Cleaner
ZODFALPHA IQ	FALPHA IQ	Polaris Alpha IQ Robotic Cleaner
ZODFALPHA IQP	FALPHA IQP	Polaris Alpha IQ Plus Robotic Cleaner
ZODF9350	F9350	Polaris 9350 2WD Robotic Cleaner
ZODF9450	F9450	Polaris 9450 4WD Robotic Cleaner with 7-Day Program
ZODF9550	F9550	Polaris 9550 4WD Robotic Cleaner with 7-Day Program & Remote

SUCTION

HAYWARD



Imperial No.	Part Number	Description
149840	925ADV	Navigator Pro Complete - Vinyl
149841	925ADC	Navigator Pro Complete - Concrete

INGROUND CLEANERS

SUCTION ZODIAC



Imperial No.	Part Number	Description
ZODMX8EL	MX8EL	MX8 Elite Suction Cleaner

PENTAIR



Imperial No.	Part Number	Description
149426	360042	Kreepy Krauly Classic - Side Suction - Vinyl

WATER TECH

POOL BLASTER

Manual vacuuming with automatic assistance. Rechargeable battery. Easily attaches to vac pole and requires no priming or hose.



Imperial No.	Part Number	Description
149988	30000ML	Pool Blaster Vacuum Cleaner - Pricing is net.

VOLT



Imperial No.	Part Number	Description
WTPREC2LI	50000PL	Precision 2Li
WTVLT2	VLT2	Volt FX-2
WTVLT4	24050GL	Volt FX-4LI
WTVLT8	34000KL	Volt FX-8LI

PRESSURE SIDE

HAYWARD

TRIVAC



	Imperial No.	Part Number	Description
	149885	6060	Booster Pump 3/4 HP
Trade Grade	HAYTVP700C	TVP700C	Trivac 700 Pressure Cleaner

POLARIS



Imperial No.	Part Number	Description
ZODPB4SQ	PB4SQ	Polaris Booster Pump
ZODTR28P	F5TR	Polaris TR28P Pressure Cleaner
149788		Polaris Vac Sweep 280 Complete - Head / Hose Carton & Booster Pump
149787	F5	Polaris Vac Sweep 280 - Head / Hose Carton only
149779		Polaris Vac Sweep 380 Complete - Head / Hose Carton & Booster Pump
149780	F3	Polaris Vac Sweep 380 - Head / Hose Carton only
149783	PB4-60	Booster Pump - only
149781	6-120-00	Polaris 165 Complete - works on pool circulation pump

INGROUND CLEANERS

PRESSURE SIDE

POLARIS

Imperial No.	Part Number	Description
149784	F1	Polaris 360 Complete - works on pool circulation pump
ZODWE000003	WE000003	Polaris TR35P Pressure Cleaner

PENTAIR



Imperial No.	Part Number	Description
149162	LL505G	Legend Head and hoses - without pump
PFLA01N	LA01N	Universal Booster Pump

PARAMOUNT VANQUISH IN-FLOOR SYSTEM



Imperial No.	Part Number	Description
PAR006577643501	6577643501	White with safety vac. Release system
PAR004672000201	4672000201	MVFUSE - White Complete Unit
149076	6577603001	Head Kit - White
149077	6577603002	Head Kit - Gray
149080	4252303201	Down Jet - White
149081	4252303202	Down Jet - Grey
PAR004302440600	4302440600	4 Port Module
PAR4152451600	4152451600	Equipment Debris Canister
PAR0040093189	4302440800	6 Port Module

SAFETY

ALARMS

SMARTPOOL



Imperial No.	Part Number	Description
SMPPE23	PE23	Inground & Aboveground Pooleye Alarm with remote - meets ASTM F2208 standards & Meets State of MA Requirements

POOL GUARD



Poolguard/PBM Industries, Inc. has been manufacturing pool alarms, door alarms, and gate alarms since 1982. All Poolguard products are proudly made in the USA. Poolguard Pool Alarms were tested and rated No. 1 by Good Housekeeping Magazine. Poolguard Pool Alarms have been Certified by NSF International to the safety and performance requirements of the ASTM International Standard for Pool Alarms, F 2208.

Imperial No.	Part Number	Description
PGRM2	PGRM-2	Inground Poolguard Alarm
PGGAPT	GAPT	Poolguard Gate Alarm

POOL PATROL



Imperial No.	Part Number	Description
DDPA25	PA-25	Pool Patrol Floating Alarm / Remote Capable
149508	GA-25	Pool Patrol Door and Gate Alarm, can be used in or outdoors. 9 Volt Battery Operated

INGROUND

SAFETY

ROPE & FLOATS

SAFETY ROPE KITS

Standard with 3" x 5" Floats, 1/2" Rope and one Hook



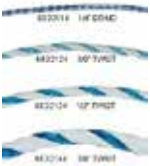
Imperial No.	Part Number	Description
149516	R181226IP	12'
149517	R181230IP	14'
149518	R181226	16'
149519	R181216	18'
149520	R181206	20'
149521	R181206IP	22'
149522	R181268	24'
149523	R181269	30'

HOOKS & EYES



Imperial No.	Part Number	Description
149532	PI-72	Deluxe Eye Bolt Assembly--Chrome Plated Brass with Removable Eye.
149535	PI-70	Rope Eye Oval Chrome Plated Brass Curved To Fit Coping. Sold as a Set of 2.
149537	PI-76	Rope Eye Oval Chrome Plated Brass (Flat). Sold as a Set of 2.
149538	HPRS	Strap Rope Anchor
141151	SP1040	Bar Type Anchor-White
149534	PH-52	Perma Hook Rope Hook 1/2" or 3/8"
149533	PH-53	Perma Hook Rope Hook 3/4" Chr. Pltd. Brass
149536	PH-55	Rope Hook Chrome Plated Brass (replacement)

SAFETY ROPE ACCESSORIES



Imperial No.	Part Number	Description
149526	R181016	3" x 5" Rope Float 1/2" Blue & White
149527	R181086	5" x 9" Rope Float 3/4" Blue & White
149529	R181486	Float Keeper for 5" x 9" Float
149530	PR50-6	Pool Rope 1/2" x 600' Spool Blue & White
149531	PR75-3	Pool Rope 3/4" x 300' Spool Blue & White

SAFETY EQUIPMENT



Imperial No.	Part Number	Description
145161	192050EE	Safety Pool Hook
149136	R191116	16' Aluminum One Piece Pole
RB191106	R191106	12' One Piece Pole
149511	372	Economy Ring Buoy--20" Plastic
149512	360	Deluxe Ring Buoy--20" Type IV White 100% Floatation. U.S. Coast Guard Approved
149513	374	Throw Rope--60'

SIGNS



Imperial No.	Part Number	Description
149500	R230400	Commercial Pool Rules (sign)
149503	R233900	Caution Spa Users sign (SC)
149506	R231200	No Diving Sign
149507		No Diving Shallow Water (Label)
RB233800	R233800	No Diving Sign (SC)
RB234000	R234000	Pool Rules Sign (SC)
RB235300	R235300	No Lifeguard Sign (SC)

DEPTH MARKERS



- 6" x 6"
- Skid Resistant
- Frost Proof
- In Per Foot Increments

Imperial No.	Part Number	Description
DM1	C620010	1'
DM2	C620020	2'
149722	C620030	3'
DM4	C620040	4'

INGROUND

SAFETY

DEPTH MARKERS

Imperial No.	Part Number	Description
149723	C620050	5'
DM6	C620060	6'
149724	C620070	7'
DM8	C620080	8'
DM9	C620090	9'
DM11	C620093	11'
DM12	C620094	12'
DMFT	C623500	Ft.

TOYS & FLOATS

OCEAN BLUE



Imperial No.	Part Number	Description
ARUBAF	950301	Aruba - Fuchsia
ARUBAL	950300	Aruba - Lime
ARUBAO	950303	Aruba - Orange
ARUBAT	950302	Aruba - Turquoise
CAPRIF	950307	Capri - Fuchsia
CAPRIL	950308	Capri - Lime
CAPRIO	950306	Capri - Orange

POOLMASTER



Imperial No.	Part Number	Description
PLM72536	72536	Jumbo Dive & Catch Fish
PLM72755	72755	Active Xtreme Dive Sticks
PLM81530	81530	Little Ones Crab Swim Set
PLM85649	85649	Daydreamer Tube
PLM16242	16242	Skimmer Basket Liners
PLM50501	50501	Poolmaster Heavy Gauge Arm Floats
PLM70743	70743	Hammock Lounger
PLM72571	72571	Super Hotshot Water Launcher Dual PACK
PLM72705	72705	All Pro Water Basketball Game
PLM72830	72830	USA Competition Poolside Basketball Game
PLM81116	81116	16" Beach Ball
PLM81124	81124	24" Beach Ball
PLM81258	81258	Finley Fish Tube
PLM81261	81261	Under The Sea 24" Tube
PLM81435	81435	Sitting Penguin
PLM81440	81440	36" Dolphin
PLM81733	81733	Graffiti Fun Noodle
PLM83110	83110	Aqua Fun Mattress
PLM83125	83125	Polka Dot Mattress
PLM83160	83160	Neon Frost Mattress
PLM83320	83320	Suntanner Mattress
PLM83356	83356	French Pocket Mattress
PLM85598	85598	Paradise Chair
PLM85658	85658	Water Pop Mesh Lounge
PLM87130	87130	35" Swim Tube
PLM87136	87136	36" Polka Dot Swim Tube
PLM87142	87142	47" Neon Frost Swim Tube
PLM94200	94200	Animal Frame Child Goggles
PLM94555	94555	Competition Goggles
PLM94650	94650	Pro Sport Goggles
PLM99015	99015	Universal Ear Plugs w/case

LEAVE SINGLE SPEED PUMPS IN THE KIDDIE POOL.

When it comes to pool pump performance, not all pumps make the cut. Pentair is clearing the water about performance to get you up to variable speed on the upcoming DOE regulation changes, so you won't be left wading.

WHY CHOOSE PENTAIR VARIABLE SPEED PUMPS?

HIGHER PERFORMANCE



Improved circulation

ENERGY & COST SAVINGS



Energy savings
of 80%–90%*

QUIETER



Lower speed
runs quieter

LONGER LASTING



Less wear & tear
= longer lasting



Learn more about our
commitment to save energy
and protect the climate with
ENERGY STAR.

Get the full story now at pentair.com/pumpregulations

*Savings based on variable speed pump compared to a single-speed pump running 12 hours per day at an average of \$0.16 per kWh in a 20,000-gallon pool. Actual savings may vary based on local utility rates, pool size, pump run time, pump horsepower, pump rpm, plumbing size and length, pump model, service factor and other hydraulic factors. Individual WEF scores vary by product model. See [Pentair.com](https://pentair.com) for a complete listing of pumps and their corresponding WEF values.

#1 RATED PUMPS IN ENERGY EFFICIENCY.*



The U.S. Dept. of Energy has adopted the WEF rating system for its regulatory standards. Hayward is the industry leader in WEF efficiency, and this pump is one of many reasons why. It doesn't just meet the bar; it sets it.

**THE INDUSTRY LEADER
IN ENERGY EFFICIENCY.**

EXPERT LINE™



NOT SOLD ONLINE



3+ YEAR PARTS & LABOR WARRANTIES**

*Claim based on TriStar® VS 900 pump rating per Dept. of Energy efficiency metrics as of October 15, 2020. Visit hayward.com/regulations for details.

**When sold by a Totally Hayward® partner. Exclusions, other terms and conditions may apply—visit hayward.com/expert for details.

Hayward, Hayward & Design, the H logo, Totally Hayward and TriStar are registered trademarks and Expert Line is a trademark of Hayward Industries, Inc. © 2020 Hayward Industries, Inc.



We Build Better.

MAINTENANCE

VACUUM HEADS

HAYWARD



Imperial No.	Part Number	Description
141141	SP1067	SP1067 Circular Vacuum Head - Vinyl
141142	SP1068	SP1068 Triangular Vacuum Head - Vinyl
HAYSP1068DL	SP1068DL	SP1068DL Triangular w/weights Vacuum Head - Vinyl

ESSENTIAL ELEMENTS



Imperial No.	Part Number	Description
ORVH4140	VH4140	Vacuum Head - Animal Triangle
145149	130030EE	Vacuum Head - Vinyl - Triangular
145150	130035EE	Vacuum Head - Vinyl - Triangular Weighted See Thru
145165	130010EE	Vacuum Head - Vinyl - Kidney Shape
145151	130020EE	Vacuum Head - Concrete - 14" Flexible
145152	130021EE	Vacuum Head - Concrete - Commercial

RAINBOW



Imperial No.	Part Number	Description
149146	R201108	#191 Vacuum Head - Vinyl
149147	R201350	#193 Oval Weighted Vacuum Head - Vinyl
149149	R201112	#188 Flexible 12" Vacuum Head - Concrete
149151	R201388	#203 Commercial 14" Vacuum Head - Concrete
149153	R201276	#214 Commercial 14" Vacuum Head - Concrete
149145	R201286	#222 Commercial Provac 22" Concrete
149152	R201146	Spa Vacuum-Use Garden or Vacuum Hose

VACUUM HEAD PARTS



Imperial No.	Part Number	Description
152286	SPX1082N2	Handle for SPX1082CA Basket
OB199002	199002	Quick Snap Clips
141143	SPX1067C	Replacement Brushes for SP1067 Vac - SPX1067C
141144	SPX1068G3	Replacement Brushes for SP1068 Vac - SPX1068G3
141146	SPX1067QA	Quik-Snap Handle Connector with Spring
149196	R201526	Replacement Brushes - #193 Vacuum Head
149197	R201536	Replacement Brushes - #194 & #195 Vacuum Head
149198	R201476Z	#192 Snap Adapt Handle for all Rainbow
149192	R22001Z	#170 Spring Clip

LEAF EATERS



Imperial No.	Part Number	Description
145153	130070EE	Leaf Eater Concrete and Vinyl Pools

LEAF NETS

RAKES



Imperial No.	Part Number	Description
ORLN4125	LN4125	Pro Animal Leaf Rake with 20" Grab Bag
ORLN4135	LN4135	Animal Big 24 Leaf Rake with 20" Standard Bag
145144	125005EE	Standard Leaf Rake-Plastic
145145	125010EE	Standard Leaf Rake-Aluminum
145146	125020EE	Deluxe Leaf Rake-Plastic
145147	125040EE	Deluxe Leaf Rake-Aluminum

MAINTENANCE

LEAF NETS

SKIMMERS



Imperial No.	Part Number	Description
149168	R121196	Rainbow Skimmer 126 Heavy Duty
ORLN4130	LN4130	Pro Animal Leaf Skimmer
145138	120005EE	Leaf Skimmer Plastic - Standard
145133	120020EE	Leaf Skimmer Plastic - Deluxe
145139	120010EE	Standard Leaf Skimmer-Aluminum
145141	120030EE	Deluxe Leaf Skimmer-Aluminum
145142	120031EE	Leaf Skimmer Replacement Net
145143	120050EE	Leaf Skimmer w/4' Pole

BRUSHES



Imperial No.	Part Number	Description
149175	R111646	Wall Brush 18" Stainless Steel
ORBR4018S	BR4018S	Stinger Pool Brush 18"
ORBR4122S	BR4122S	Animal Brush 22" Vinyl Black Bristle
ORBR4128S	BR4128S	Animal Brush 28" Vinyl
145136	110005EE	Wall Brush 18" Economy
145137	110010EE	Wall Brush 18" w/Aluminum Back
149174	R111616	Deluxe 6" Stainless Steel Bristle Brush

THERMOMETERS

ESSENTIAL ELEMENTS



Imperial No.	Part Number	Description
145154	150010EE	Thermometer - Jumbo
145155	150015EE	Thermometer - Deluxe Round Economy
145156	150020EE	Thermometer - Deluxe Floating
145157	150025EE	Thermometer - Chrome Plated
145158	150050EE	Thermometer - Floating Animal

MAINTENANCE KITS



Imperial No.	Part Number	Description
145163	01009EE	Maintenance Kit-includes 145149 Vacuum, 145138 Leaf Skimmer, 145144 Leaf Rake, 145136 Brush, 145156 Thermometer, 145162 Test Kit
149165	R131037	Rainbow Maintenance Kit - includes: #127 Thermometer,#902B Wall Brush,#119 Leaf Skimmer, pole & test strips

VACUUM POLES & ACCESSORIES

ALUMINUM



Imperial No.	Part Number	Description
ORPL41816	PL41816	Pro Animal Pole Aluminum 8-16 ft
145134	100010	Protech 6'-12' Vacuum Pole
145135	100051EE	Protech 8'-16' Vacuum Pole
ORPL40816	PL40816	Stinger Aluminum pole 8' - 16'
SK9018	9018	SkimLite professional pole 6ft-18ft 3pc

FIBERGLASS



Imperial No.	Part Number	Description
149132	R191092	Rainbow 8'-16' Fiberglass Pole

Elements Maintenance Products

An exciting brand of quality products, at a great price.

 **Elements**

We offer a complete line of Elements Maintenance Products, with eye catching packaging for consumer appeal and consistent messaging.

MAD
money
MANUFACTURING AND DISTRIBUTION CASH BACK

Get Cash Back on everything you buy from Imperial Manufacturing and Distribution!

To find out how, contact your Imperial Sales Director for details and eligibility.



 **Imperial**
POOLS INC.
REDEFINING ONE SOURCE

33 Wade Rd
Latham, New York 12110

www.imperialpools.com

Buy your full line of Elements Maintenance Products exclusively at Imperial Pools Distribution. Imperial Pools, Redefining One Source.

MAINTENANCE

VACUUM POLES & ACCESSORIES

HANGERS



Imperial No.	Part Number	Description
149138	R221036	#145 Pole Hangers - pr
149139	R221046	#165 Hose Hangers - pr

REPLACEMENT POLE CAM



Imperial No.	Part Number	Description
149140	R191296	#806 EZ Lock Replacement Cam

FLOATING CHLORINE DISPENSER



Imperial No.	Part Number	Description
145159	160010EE	Floating Chlorine Dispenser
149400	R171086	330 Rainbow floating dispenser Blue/White ctn 12
149178	27052-029-000	Chlorine/Bromine Floating Dispenser For Spas and Small Pools Beige/White CTN/12

VINYL REPAIR KITS & ADHESIVES



Imperial No.	Part Number	Description
149156	#859	#859 Boxer 2 oz Repair Kit
149157	#110	#110 Boxer 4 oz Repair Kit
149158	#104	Vinyl Adhesive - 4 oz can w/dauber
149159	#116	Vinyl Adhesive - Pint can w/dauber

OREQ FOOT BATH



Imperial No.	Part Number	Description
270003	Z22	Oreq Foot Bath

UTILITY/COVER PUMPS



Imperial No.	Part Number	Description
149468	500500	Little Giant 140 GPH Cover Pump-18' Cord
LGIPCP550	14942702	Little Giant 550 GPH - 25' Cord
149467	505025	Little Giant 1250 GPH Cover Pump-25' Cord
LGI505600	505600	Little Giant 5-APCP 1200 GPH - Automatic - 25' Cord
LGI577301	577301	Little Giant 57730-1700 GPH - Automatic - 25' Cord
SGCPA1	CPA-350	Auto Sensor Cover Pump 350 GPH
DN350	2533	Cover Care Pump 350 GPH
DN02585	2585	6MSP 1400 GPH W/25' Cord

MISCELLANEOUS MAINTENANCE EQUIPMENT



Imperial No.	Part Number	Description
CMP25600411000	25600-411-000	Smart Scoop - DE/Chemical Scoop
149873	25600-009-000	Perflex 1 lb. DE Pre-Measured Scoop 50
149872	EC2024	Perflex Jet-Action Cleaning Wand. Attaches to garden hose to jet-clean Flex-Tubes and Grids on D.E. filters without disassembling the filter.
HAYSP22310	SP022310	Bobby - Disposable filter for fill hose. Prevents particle staining when filling the pool. 10" length
HAYSP22320	SP022320	Bobby - Disposable filter for fill hose. Prevents particle staining when filling the pool. 20" length
PLPPS2100	PPS2100	Disposable Sediment Filter

MAINTENANCE

HOSE

PROTECH - BLOW MOLDED FILTER HOSE - SILVER/GRAY



Imperial No.	Part Number	Description
149261	MF155114003BB	1 1/4" x 3' Blow Molded Filter Hose / CTN 24
149259	MF155114006BB	1 1/4" x 6' Blow Molded Filter Hose / CTN 24
149260	MF155112003BB	1 1/2" x 3' Blow Molded Filter Hose/ CTN 15
149258	MF155112006BB	1 1/2" x 6' Blow Molded Filter Hose/ CTN 15

PROTECH - BULK FILTER HOSE



Imperial No.	Part Number	Description
149213	EC100114252CI1	1 1/4" x 252' Standard Cuffed Every 3'
149214	EC100112150CI1	1 1/2" x 150' Standard Cuffed Every 6'

PROTECH - DELUXE FILTER HOSE - GRAY



Imperial No.	Part Number	Description
149262	FK101114003BR	1 1/4" x 3' Deluxe Filter Hose / CTN 30
149216	FK101114006BR	1 1/4" x 6' Deluxe Filter Hose / CTN 20
149263	FK101112003BR	1 1/2" x 3' Deluxe Filter Hose / CTN 30
149217	FK101112006BR	1 1/2" x 6' Deluxe Filter Hose / CTN 15
149208	FK101112008BR	1 1/2" x 8' Deluxe Filter Hose

PROTECH VAC HOSE - 1 1/2 BLUE/BLACK



Imperial No.	Part Number	Description
149199	BE548112020WIN1	1 1/2" x 20' / CTN 1
149200	BE548112025WIN1	1 1/2" x 25' / CTN 1
149201	BE548112030WIN1	1 1/2" x 30' / CTN 1
149202	BE548112035WIN1	1 1/2" x 35' / CTN 1
149203	BE548112040WIN1	1 1/2" x 40' / CTN 1
149205	BE548112045WIN1	1 1/2" x 45' / CTN 1
149204	BE548112050WIN1	1 1/2" x 50' / CTN 1

PROTECH VAC HOSE - 1 1/4 BLUE/BLACK



Imperial No.	Part Number	Description
149209	BE548114021WIN1	1 1/4" x 21' / CTN 1
149210	BE548114024WIN1	1 1/4" x 24' / CTN 1
149211	BE548114030WIN1	1 1/4" x 30' / CTN 1
149212	BE548114036WIN1	1 1/4" x 36' / CTN 1
146298	175101	1 1/4" x 7" Hose Connector to Join Two 1 1/4" Hoses

VAC HOSE CUFFS



Imperial No.	Part Number	Description
149221	CU9042100S	1 1/4" Threaded Replacement Cuff
149222	CU9012100	1 1/2" Threaded Replacement Cuff
149244	CU9013150D	1 1/2" Threaded SWIVEL Replacement Cuff

VINYL DISCHARGE HOSE



Imperial No.	Part Number	Description
149218	LF500112025PS	1 1/2" x 25' Vinyl Discharge Hose With Clamp / CTN 12
149215	LF500112050PS	1 1/2" x 50' Vinyl Discharge Hose With Clamp / CTN 12
149223	LF500200050PS	2" x 50' Vinyl Discharge Hose With Clamp / CTN 12
149219	LF500112200PI	1 1/2" x 200' Vinyl Discharge Hose
149220	LF500200200PI	2" x 200' Vinyl Discharge Hose

A STEP UP IN STEEL TECHNOLOGY

nexus
STEEL OPEN TOP STAIRS, BENCHES & COVES



If you can design it,
we can make it



*Get Cash Back on everything
you buy from Imperial
Manufacturing and Distribution!*

To find out how, contact your Imperial Sales
Director for details and eligibility.



Sundeck



Bench



Cove



Stair



Imperial
POOLS INC.
REDEFINING ONE SOURCE

33 Wade Rd
Latham, New York 12110

www.imperialpools.com

SPAS

PleatcoPure®

THE CLEAN WATER COMPANY

Leaders in science and innovation.

Pleatco AdvancedPOOL™
PREMIUM FILTER CARTRIDGES

Pleatco DEGRIDS™



Pleatco AdvancedSPA™
PREMIUM FILTER CARTRIDGES

Pleatco FILTERWASH™
FILTER CARTRIDGE CLEANER

PleatcoPureSTART™
DISPOSABLE PRE-FILL SEDIMENT FILTER

At Pleatco we strive to bring great new products and technologies to the market that truly provide the cleanest water filtration possible for the health, safety and happiness of every pool and spa owner. We stand behind the honest fact that our filter cartridges featuring Pleatco Advanced Point Bonded Filtration Fabrics and Free Flow Core Technology hold more dirt, are easier to maintain, provide greater flow, longer cycle times and save energy. We have major expansion plans for 2021 and appreciate the support and patience this season by all our customers as we refine our operations to enhance service and delivery of the best products in the industry. Quality matters. Choose wisely.



Pleatco AdvancedULTRA™
REVOLUTIONARY FILTRATION TECHNOLOGY PATENT PENDING

REVOLUTIONARY
NEW
PLEATING
TECHNOLOGY

KEEPS
PLEATS
RIGID &
EVENLY
SPACED!

FEATURING
Pleatco PUREPLEAT™
PATENT PENDING



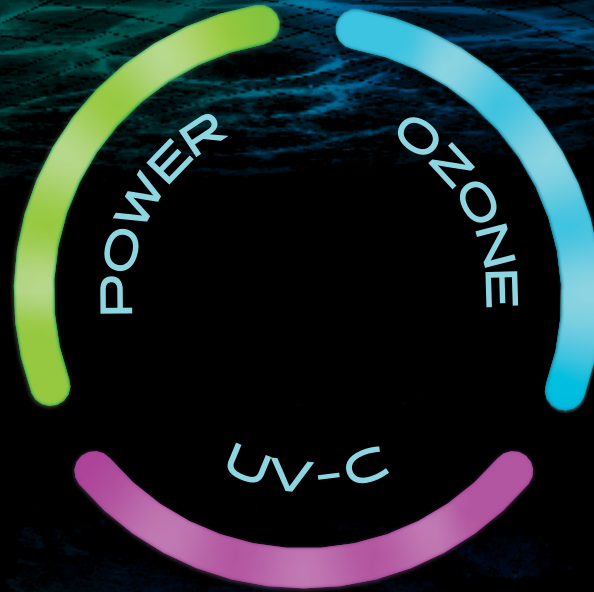
CARTRIDGE FILTRATION REDEFINED

PLEATCO.COM



SPAS

WE BELIEVE
AOP SHOULD BE SMART



Because we believe you want **SIMPLE** maintenance



NEXT GEN AOP IS HERE

Certified NSF 50 Supplemental Sanitizer

All-in-one Full Flow Installation

Smart Sanitizer Status Feedback

c-m-p.com/AOP



SPAS

SPA CHEMICALS

MINERALUXE SPA PRODUCTS

BALANCE THE WATER

ALKALINITY PLUS



A granular, alkaline mineral compound used to raise total alkalinity in hot tub water. When TA is balanced, corrosion of surfaces is reduced and pH is buffered effectively and less likely to shift.

Imperial No.	Part Number	Description
257111	UML09743	16 x 1.6 lb

CALCIUM PLUS



Imperial No.	Part Number	Description
257113	UML09744	16 x 1.1 lb

ADJUST THE PH LEVEL

PH PLUS



A granular, alkaline mineral that raises pH quickly and efficiently to prevent corrosion, allow sanitizers to work efficiently and maintain water comfort.

Imperial No.	Part Number	Description
257110	UML09741	16 x 1.5 lb

PH MINUS



A granular acid formulation that safely lowers pH to prevent scale formation, cloudy water, allow sanitizers to work efficiently and maintain water comfort.

Imperial No.	Part Number	Description
257112	UML09746	16 x 12 lb

SANITIZE

CHLORINATING TABS



Mineraluxe Chlorinating Tablets are 1" chlorinating tablets of 100% Trichloro-s-triazinetrione for controlling algae and bacteria in hot tub water. For use in chlorinators or in floaters.

Imperial No.	Part Number	Description
257107	UML09730	12 x 1.06 lb

1 MONTH CHLORINATING TABLET SYSTEM



One Month Chlorinating Mineraluxe System. Includes 7.05 oz Chlorinating Tablets, 5x1.5 oz pouches of Oxygen Plus, 5 Mineraluxe Cubes.

Imperial No.	Part Number	Description
257102	UML09703	1 x 1 Kit

MINERALUXE SPA PRODUCTS

SANITIZE

3 MONTH CHLORINATING TABLET SYSTEM



Three Month Chlorinating Mineraluxe System. Includes 1.06 lb Chlorinating Tablets, 16x1.5 oz pouches of Oxygen Plus, 13 Mineraluxe Cubes.

Imperial No.	Part Number	Description
257103	UML09704	1 x 1 Kit

BROMINE GRANULES



Mineraluxe Brominating Granules contains a blend of bromide salts and a chlorine activator for the production of active bromine in hot tub water for controlling harmful micro organisms. Ideal for regular hand feed applications, periodic shock treatments and to boost bromine levels when low.

Imperial No.	Part Number	Description
257115	UML09733	12 x 1.3 lb

BROMINATING TABS



Mineraluxe Brominating Tablets are 1" bromine tablets (Bromo-Chloro-Dimethylhydantoin) for controlling harmful micro-organisms in hot tub water. For use in Brominators or in floaters.

Imperial No.	Part Number	Description
257106	UML09725	12 x 1.06 lb

1 MONTH BROMINATING TABLET SYSTEM



One Month Brominating Tablets Mineraluxe System. Includes 7.05 oz Brominating Tablets, 5x1.5 oz pouches of Oxygen Plus, 5 Mineraluxe Cubes.

Imperial No.	Part Number	Description
257100	UML09701	1 x 1 Kit

3 MONTH BROMINATING TABLET SYSTEM



Three Month Brominating Tablets Mineraluxe System. Includes 1.06 lb Brominating Tablets, 16x1.5 oz pouches of Oxygen Plus, 13 Mineraluxe Cubes.

Imperial No.	Part Number	Description
257101	UML09702	1 x 1 Kit

HOT TUB STARTER KIT



A selection of Mineraluxe Hot Tub products to get new hot tub owners started off on the right foot! Each kit includes: Mineraluxe Oxygen Plus (16 bags x 1.5 oz), Mineraluxe Cubes (11.5 oz), Mineraluxe pH Plus (1.5 lb), Mineraluxe Alkalinity Plus (1.6 lb), Mineraluxe pH Minus (2 lb), Mineraluxe Calcium Hardness Increaser (1.1 lb), Mineraluxe Test Strips (50 each) and a water sample bottle.

Imperial No.	Part Number	Description
257114	UML09788	1 x 1 Kit

SPAS

SPA CHEMICALS

MINERALUXE SPA PRODUCTS

OXIDIZE

OXYGEN PLUS



Mineraluxe Oxygen Plus provides a deep cleanse for your customer's hot tub. This once a week application will oxidize your customer's water and bring it back to an ultra clean and clear state. Conveniently packaged in pre-measured 1.5 oz sachets for ease and convenience.

Imperial No.	Part Number	Description
257105	UML09722	8 x 16 x 1.5 oz

CONTROL

MINERALUXE CUBES



The Mineraluxe Cube is the star of the Mineraluxe system. It's an advanced weekly mineral treatment, featuring a blend of natural minerals fused with advanced cleanse and repel technology. It will leave your customer's hot tub squeaky clean and will dramatically reduce the scaling of heaters, jets, surfaces and equipment.

Imperial No.	Part Number	Description
257104	UML09711	8 x 11.5 oz

PROBLEM SOLVERS & MAINTENANCE

CLEANSE & DRAIN



Mineraluxe Cleanse & Drain is designed to effectively clean hot tub plumbing by eliminating build-up of organic waste contamination! These contaminants collect and build-up in the circulation system and filter. By purging the hot tub of this organic build-up, the symptoms of contamination will be reduced or eliminated.

Imperial No.	Part Number	Description
257109	UML09737	16 x 24 oz

FILTER REVIVE



Mineraluxe Filter Revive's extra strength, rapid action formula allows you to clean a filter in significantly less time! Removes greases and oils and breaks down scale and other contaminants that commonly accumulate on filter media. Whitens cartridges for that clean look!

Imperial No.	Part Number	Description
257108	UML09736	16 x 21 oz



CLEAR SPA

B

Balance the Water

SPA BALANCERS



Imperial No.	Part Number	Description
252013	CSTA002	Alkalinity, Cylinder - 12 x 2 lbs.
252014	CSCC002	Calcium, Cylinder - 12 x 2 lbs.
252010	CSLHQT12	pH Hold, Quarts - 12/CS

SPAS

SPA CHEMICALS



CLEAR SPA



SPA ADJUSTERS



Imperial No.	Part Number	Description
252011	CSSA002	pH Plus, Cylinder - 12 x 2 lbs.
252012	CSSB003	pH Minus, Cylinder - 12 x 3 lbs.



SANITIZE

BROMINATION



Clear Spa 104 Bromo Boost Packets are a convenient 2 oz. granular sodium bromide additive. These packets should be used each time the spa is drained and refilled to quickly establish a bromine bank in the water. Starting the spa or hot tub with Bromo Boost will increase the effectiveness of the Bromo Bright Tablets and maintain the water quality.

Imperial No.	Part Number	Description
252000	CSS0002Z	Bromo Boost, Packets - 12 x 2 oz.
252004	CSBR015	Bromo Bright Tablets, Cylinder - 12 x 1.5 lbs.

CHLORINATING GRANULES



Clear Spa 104 Chlorinating Granules are a quick dissolving, pH neutral sanitizer that quickly raise chlorine sanitizer levels in spa and hot tub water. This product can be used daily as an effective sanitizer and/or weekly as an oxidizing shock. The product yields a 99% effective level and is produced from the finest grades of raw materials. Chlorinating Granules will not cloud the water.

Imperial No.	Part Number	Description
252006	CSDD002	Chlorinating Granules, Cylinder - 12 x 2 lbs.

SPA SELTZER



A quick dissolving seltzer tab containing mineral spring salts and bacteria fighting ingredients. Enhance your spa life with Japanese hot spa ingredients that give a soothing feel.

Imperial No.	Part Number	Description
252002	CSSS002	Spa Seltzer, Cylinder - 12 x 2 lbs.



OXIDIZE

CRYSTAL SHOCK



Spas require periodic oxidizing or shocking to remove organic contaminants and non-filterable impurities. This relieves some of the demand on your sanitizing system and restores an inviting clear and sparkling body of water to the spa.

Imperial No.	Part Number	Description
252008	CSPM002	Crystal Shock, Cylinder - 12 x 2 lbs.

SPAS

SPA CHEMICALS



CLEAR SPA



CONTROL ALGAE & MINERALS

METAL GUARD

Clear Spa 104 ° Metal Guard chelates and coagulates minerals, making them large enough to be caught by the filtration system while removing them from the water. Clear Spa 104 ° Metal Guard also lowers the calcium levels of the spa while removing stains and scale from surfaces and equipment. Dosage Frequency: Weekly or as needed.



Imperial No.	Part Number	Description
252022	CSLMGPT12	Metal Guard, Pints - 12/CS



PROBLEM SOLVERS & MAINTENANCE

NATURAL ENZYMES

Natural Enzymes searches out grease, lotion, pollen, body oil, and other foaming agents. It breaks these down and removes them from the spa water so they will not clog the filter. Dosage Frequency: Weekly or as needed.



Imperial No.	Part Number	Description
252016	CSLNEPT12	Natural Enzymes, Pints - 12/CS

SPA PHOS

104 ° Spa Phos removes phosphates from the water to eliminate the algae food source. Dosage Frequency: As needed.



Imperial No.	Part Number	Description
252017	CSLPBPT12	Spa Phos, Pints - 12/CS

JET BLAST

Clear Spa 104 ° Jet Blast is a professional grade debris flushing product used to remove unwanted particles such as oils, grime, sand, leaves and other organic matter that may clog your spa jets. Clear Spa 104 ° Jet Blast keeps jet pressure strong, extends the life of your motor and keeps your spa sparkling clean. Frequency: Apply during drain and refill intervals or as needed.



Imperial No.	Part Number	Description
252019	CSLJBPT12	Jet Blast, Pints - 12/CS

NO FOAM

Clear Spa 104 ° No Foam is an instant reactive agent that dissipates foam caused by detergent, oils, and lotions.



Imperial No.	Part Number	Description
252020	CSLNFPT12	No Foam, Pints - 12/CS

CRYSTAL BRITE

Clear Spa 104 ° Crystal Brite is a non-staining, non-foaming product that will bind microscopic particles together so that they are large enough to be trapped by your filtration system.



Imperial No.	Part Number	Description
252021	CSLCBPT12	Crystal Brite, Pints - 12/CS

SPAS

SPA CHEMICALS



CLEAR SPA



PROBLEM SOLVERS & MAINTENANCE

Use Clear Spa 104° Surface Cleaner to clean the spa's interior surface waterline and aid in preventing build-up.



Imperial No.	Part Number	Description
252015	CSLSCPT12	Surface Cleaner, Pints - 12/CS

CARTRIDGE CLEANER

Use Clear Spa 104° Cartridge Cleaner to keep the spa filters operating at peak performance and extend cartridge life.



Imperial No.	Part Number	Description
252018	CSLCCPT12	Cartridge Cleaner, Pints - 12/CS



LEISURE TIME



SPA BALANCERS



Imperial No.	Part Number	Description
LTALK	ALK	Alkalinity Increaser 12x2 lb. bttls/cs
LTCB	CB	Calcium Booster 12 x 1 qt. bttls/cs
LTPHB	PHB	pH Balance 12x1 qt. bttls/cs
LT45410	45410A	pH Balance Plus 6x3 lb. bttls/cs



SPA ADJUSTERS



Imperial No.	Part Number	Description
LT22338	22338A	Spa Down 12x2.5 lb. bttls/cs
LT22339	22339A	Spa Up 12x2 lb. bttls/cs



SANITIZE

SPA 56 CHLORINATING GRANULES

Specifically formulated for spas and hot tubs. This concentrated granular chlorine effectively sanitizes and disinfects hot water to keep it clean and clear.



Imperial No.	Part Number	Description
LT22337	22337A	Spa 56 Chlorinating Granules 12x2 lb. bttls/cs
LTE5	E5	Spa 56 Chlorinating Granules 6x5 lb. bttls/cs

SPAS

SPA CHEMICALS



LEISURE TIME

S

SANITIZE

SODIUM BROMIDE

Sodium Bromide creates a bromide reserve when using Brom Tabs to ensure a fully bromine-based sanitizer system.



Imperial No.	Part Number	Description
LTBE	BE	Sodium Bromide 2 oz x 6 pouches x 16 boxes
LTBE1	BE1#	Sodium Bromide 12x1 lb. bttls/cs

BROM TABS

Brom Tabs are low odor, low dust tablets that fit in all feeders and maintain a constant level of bromine. Unique chemistry provides bromine residual quickly.



Imperial No.	Part Number	Description
LT45430	45430A	Brom Tablets 6x4 lb. bttls/cs
LT45422A	45422A	Brom Tablets 12x1.5 lb. bttls/cs

O

OXIDIZE

OZ CHLORINE FREE TABS

Quick dissolve tablets rid spas of oils, lotions, and organic contaminants with unique effervescent action. Works in both bromine and chlorine sanitized spas.



Imperial No.	Part Number	Description
LTOZ2	45305A	OZ Shock Tablets 12x1.75 lbs. bttls/cs

RESERVE & RENEW NON CHLORINE

When used together, Reserve and Renew form a complete chlorine-free sanitizing system that's simple and hassle-free. Reserve and Renew requires only a simple application after using the spa.



Imperial No.	Part Number	Description
LT45300	45300A	Reserve 12x1 qt bttls/cs
LTRENU2	RENU2	Renew 12 x 2.2 lbs bttls/cs
LTRENU5	RENU5	Renew 6 x 5 lbs. bttls/cs

C

CONTROL ALGAE & MINERALS

METAL GON

Conveniently packaged, this powerful duo will prevent scale buildup and staining of surfaces.



Imperial No.	Part Number	Description
LT45440	45440A	Metal Gone & Defender 6x2 bttls/cs
LTD	D	Metal Gon 12x1 pt bttls/cs

SPAS

SPA CHEMICALS



LEISURE TIME

C

Control Algae and Minerals

CONTROL ALGAE & MINERALS

DEFENDER

An exclusive formula developed to prevent scale formation. Use weekly for continued protection.



Imperial No.	Part Number	Description
LTB	B	Defender 12x1 qts. bttls/cs

PM

Problem Solvers and Maintenance

PROBLEM SOLVERS & MAINTENANCE



Imperial No.	Part Number	Description
LTA	A	Bright & Clear 12x1 qt bttls/cs
LT3192	3192A	Cover Care & Conditioner 12x1 pt.bttls/cs
LTSGQ	SGQ	Enzyme 12x1 qt bttls/cs
LTP	P	Fast Gloss 12x1 pt.bttls/cs
LTN	N	Filter Clean 12x1 pt. bttls/cs
LTO	O	Filter Clean 12x1 qt.bttls/cs
LTH	H	Foam Down 12x1 pt bttls/cs
LTH1	H1	Foam Down 4x1 Gallon bttls/cs
LTHQ	HQ	Foam Down 12x1 qts bttls/cs
LTS	S	Instant Cartridge Clean 12x1 pt.bttls/cs
LT45450	45450A	Jet Clean 12x1 pt bttls/cs

INSPIRATIONS

ASSORTMENTS 9 OZ BOTTLES - 12 PER DISPLAY CASE



Imperial No.	Part Number	Description
143100	210A	Assortment "A"- 1 ea. Of Coconut Mango, Cucumber Melon, Eucalyptus Mint, Hawaiian Sunset, Heavenly Honeysuckle, Jasmine, Lavender, Passion, Rain, Romance, Spaberry, Tropical Island
143101	210B	Assortment "B"- 1 ea. of April Showers, Cherry Blossom, Coconut Lime Verbena, Fresh, Joy, Mangosteen & Goji, Peach, Polynesian Paradise, Pomegranate, Tahitian Tropic, Tranquility, Vanilla Twist

9 OZ BOTTLES 12 PER CASE PRICED INDIVIDUALLY



Imperial No.	Part Number	Description
143104	208X	Coconut Mango
143105	218X	Heavenly Honeysuckle
143108	224X	Rain
143109	206X	Romance
143110	200TIX	Tropical Island
143113	203X	Cucumber Melon
143122	227X	Spaberry
143123	204X	Lavender
143129E	217X	Hawaiian Sunset
143130E	219X	Jasmine
143138E	229X	Eucalyptus Mint
INS200PA	200PA	Passion

SPAS

SPA CHEMICALS

INSPARATIONS

HYDROTHERAPIES SPORT RX CRYSTALS 6 PER CASE PRICED INDIVIDUALLY



Take it to the Next Level in Aromatherapy by immersing yourself in the power of Hydrotherapies Sport RX Liquids and Crystals. Packed with Vitamins, Minerals and Natural Extracts, HTX is the ideal remedy for the active lifestyle. As you soak your body is being Stimulated, Energized, Protected, Relaxed, Rebuild and Elevated through this special blend of Magnesium Sulfate(Epsom Salt), Solar Sea Salt, Vitamins and Natural extracts.

Imperial No.	Part Number	Description
INS720	720	Assorted
INS721	721	Elevate
INS722	722	Energize
INS723	723	Protect
INS724	724	Rebuild
INS725	725	Relax
INS726	726	Stimulate

SPABOMB ASSORTED DISPLAY CONTAINERS



inSPAration's new SpaBomb Aromatherapy products are specially formulated for Spas, Hot Tubs, Baths and Jetted Tubs. SpaBomb's are the clean, ultra therapeutic, fizzing Bath Bomb that will not cloud, foam, bubble, color the water or leave any unwanted oily residue. Made with Epsom Salt, Aloe Vera Extract and Vitamins making these the perfect Hot Water Spa & Bath Bomb. All the Fun without the Mess! Available in inSPAration's top 24 scents, Island Aromatherapy and Sport Rx Blends. 12 pack comes shipped in a Countertop Display.

Imperial No.	Part Number	Description
INS730SB	730-SB	Assortment Contains - Elevate, Energize, Protect, Rebuild, Relax, Stimulate
INS740ASB	740A-SB	Assortment "A" - 1 ea. of Coconut Mango, Cucumber Melon, Eucalyptus Mint, Hawaiian Sunset, Heavenly Honeysuckle, Jasmine, Lavender, Passion, Rain, Romance, Spaberry, Tropical Island
INS740BSB	740B-SB	Assortment "B" - 1 ea. of April Showers, Cherry Blossom, Coconut Lime Verbena, Fresh, Joy, Mangosteen & Goji, Peach, Polynesian Paradise, Pomegranate, Tahitian Tropic, Tranquility, Vanilla Twist

1/2 OZ PILLOW PACKETS



All of inSPAration's fragrances come packed in an attractive ½ ounce, single use "Pillow Packets". These little packets are a great way to sample all of inSPAration's fabulous fragrance blends. Just twist off the tip and add inSPAration into your next hot water escape.

Imperial No.	Part Number	Description
143114	230-1	Pillow Packets Assortment
INS251	251	1/2 oz Assorted Gift Bag - 12 Per Bag
INS252	252	1/2 oz Assorted Fishbowl Aromatherapy Liquid

HTX SPA SIDE SPORT BLUETOOTH SPEAKER



Take it to the Next Level with the HTX Sport Bluetooth Speaker. This Spa Side Speaker is IP5 Splashproof and contains a 4400mAh batter with a battery bank function to charge your phones and other USB Devices. The powerful and quality sounding speaker contains a sporty rugged casing to protect against falls and damages.

Imperial No.	Part Number	Description
INS584	584	HTX Sport Bluetooth Speaker - Black - Case of 4

INSPARATIONS RETAILER FLOOR DISPLAY KITS



The floor display kits come with the shelving unit and an assortment of product. Floor display kits are available for drop ship directly from the manufacturer.

Imperial No.	Part Number	Description
INS289RXKIT	289-RXKIT	Sport Rx Floor Display Kit w/Product

SPAS

SPA ACCESSORIES

SCUMBUG



Imperial No.	Part Number	Description
149836	TB1-24	Scumbug - Absorbes Oil & Lotions - 1 per pack

SPA CONTROL



Imperial No.	Part Number	Description
149018	7441	1" - 1 1/2" Spa Side Switch (4 Function) 100' White

SPA PADS



Imperial No.	Part Number	Description
CONSP3248	SP3248-3	32"x48" Polymer spa pads interlock to accommodate various size spas.

SPA STEP



Imperial No.	Part Number	Description
CONSPA1R	HS2-R	Straight - Redwood color

SPA VACS



Imperial No.	Part Number	Description
149155RC	NPSV12	Paradise Spa Vac

SPA BLOWERS



Imperial No.	Part Number	Description
140100	6310141	1 HP 110 V Bottom Intake
140101	6315141	1 1/2 HP 110 V
140102	6320141	2 HP 110 V
140103	6315241	1 HP 220 V
140104	6315241	1 1/2 HP 220 V
140105	6320241	2 HP 220 V

SPA COVERS

SPA COVER REMOVAL SYSTEMS



Imperial No.	Description
149834	Covermate I

SPAS

SPA COVERS

FLOATING THERMAL SPA COVERS



Imperial No.	Part Number	Description
127466	HV-8X6	6' x 6'
127477	HV-8X7	7' x 7'
127488	HV-8X8	8' x 8' Floating Spa Cover

WHITEWAVE SPA COVERS



Imperial No.	Part Number	Description
149778	501258	92" Spillover Spa Cover -Ash Grey
149805	501258	92" Poolside Spa Cover - Ash Grey

EASY KLIP



Imperial No.	Part Number	Description
EKSPAKIT	29061101SS	Spa Cover Tie Down Repair Kit

PROTECTA-SPA COVERS



Imperial No.	Part Number	Description
HPIPROSC8370	PROSC8370	Protecta-Spa Cover Spa Size 83X70
HPIPROSC8585	PROSC8585	Protecta-Spa Cover Spa Size 85x85
HPIPROSC9292	PROSC9292	Protecta-Spa Cover Spa Size 92x92

SPA CARTRIDGES



Imperial No.	Part Number	Description
141209	PWW10	10 Sq. ft. Filter Element
141219	PJW23	25 Sq. ft. Jacuzzi Filter Element
141237	PWK30-4	30 Sq. ft. Hot Springs Filter Element
141243	PMS8	6 Sq. ft. Muskin Filter Element
141246	PC7-120	5 Sq. ft. Coleco F-120 Filter Element
141247	PRB50-IN	50 Sq. ft. Hawkeye Filter Element
141318	PJ25-IN-4	25 Sq. ft. Filter Element - CFR 25
142005	PW15WC	WET-1
154104	PJ50	50 Sq. ft. Filter Element - CFR 50

PLEATCO PURESTART SPA AND SPA SEDIMENT FILTER

Imperial No.	Part Number	Description
PLPPS2100	PPS2100	Disposable Sediment Filter

SARATOGA SPA CARTRIDGES

Imperial No.	Part Number	Description
121851	PSG13.5P4	Polo (1996) standard filter cartridge 4 3/4" x 6"
121855	PTL18P4	Gideon standard filter cartridge (1996) 4 3/4" x 9 1/4"
142012	PSG40P4	Gideon & 2nd generation Polo skim filter cartridge 4 3/4" x 11"
149829	PRB25-IN	1st generation portable Geyser/Pony Rainbow filter cartridge 5" x 13 7/16"
149831	PRB17.5SF-PAIR	1st generation Geyser (Rainbow) skim filter cartridge (1) 4 15/16" x 4 5/8"
74452	PSG27.5-XP4	STD Saratoga Series Cartridge ONLY 4 3/4" x 12 5/16"

SPA CARTRIDGES

SARATOGA SPA CARTRIDGES

Imperial No.	Part Number	Description
74454	PSG13.5-XP4	STD Geysers Series Cartridge ONLY 4 3/4" x 6 3/4"

SPA CARTRIDGE CLEANING TABLETS

Imperial No.	Part Number	Description
141429	PWASH-SPA-PAK	Spa Cartridge Cleaning Tablets

SPA MAINTENANCE EQUIPMENT

DISPOSABLE FILTER FOR HOSE



Imperial No.	Part Number	Description
HAYSP22310	SP022310	Bobby - Disposable filter for fill hose. Prevents particle staining when filling the pool. 10" length
HAYSP22320	SP022320	Bobby - Disposable filter for fill hose. Prevents particle staining when filling the pool. 20" length

FILTER CLEANING TOOLS



Imperial No.	Part Number	Description
149872	EC2024	Perflex Jet-Action Cleaning Wand. Attaches to garden hose to jet-clean Flex-Tubes and Grids on D.E. filters without disassembling the filter.

SPA VACUUM



Imperial No.	Part Number	Description
149152	R201146	Spa Vacuum-Use Garden or Vacuum Hose

DO YOU NEED JUST ONE SPA?

You Can Order Directly From Your Imperial Branch

Champion
Spas

IMPERIAL DISTRIBUTION DEALER DIRECT PROGRAM

- *6 Model Choices Offered From 2 Person To 6 Person*
- *Spas Available One At A Time*
- *Available Inventory On-Line*
- *No Cost Freight With Branch Pick Up*
- *Comprehensive Marketing Support Materials*
- *Consumer Website*



Imperial
POOLS INC.
REDEFINING ONE SOURCE

33 Wade Road Latham, NY 12110
www.imperialpools.com



SPECS AND FEATURES



108

SPECIFICATIONS:

Dimensions:.....78.5" x 31.5"
Average Fill240 gallons
Seating Capacity..... 4 person
Jet Count:..... 8 Jets
Power Pack:..... 110/220 Volt

FEATURES:

LED Lighting, Ozonator, DuoTone™ Jets, (1) Jet Pump System, Antimicrobial Filtration, ASTM Safety Cover, UL Listed



540

SPECIFICATIONS:

Dimensions:..... 80" x 84" x 36"
Average Fill350 gallons
Seating Capacity..... 5 person
Jet Count:..... 40 Jets
Power Pack:..... 220 Volt

FEATURES:

LED Lighting, Ozonator, DuoTone™ Jets, (2) Jet Pump System, Antimicrobial Filtration, ASTM Safety Cover, UL Listed, LED Water Feature



213

SPECIFICATIONS:

Dimensions:..... 59" x 82" x 29"
Average Fill150 gallons
Seating Capacity..... 2 person
Jet Count:..... 13 Jets
Power Pack:..... 110/220 Volt

FEATURES:

LED Lighting, Ozonator, DuoTone™ Jets, (1) Jet Pump System, Antimicrobial Filtration, ASTM Safety Cover, UL Listed



650

SPECIFICATIONS:

Dimensions:..... 89" x 93" x 40"
Average Fill450 gallons
Seating Capacity..... 6 person
Jet Count:..... 50 Jets
Power Pack:..... 220 Volt

FEATURES:

LED Lighting, Ozonator, DuoTone™ Jets, (2) Jet Pump System, Antimicrobial Filtration, ASTM Safety Cover, UL Listed, LED Water Feature



324

SPECIFICATIONS:

Dimensions:..... 67" x 80" x 34"
Average Fill240 gallons
Seating Capacity..... 4 person
Jet Count:..... 24 Jets
Power Pack:..... 220 Volt

FEATURES:

LED Lighting, Ozonator, DuoTone™ Jets, (1) Jet Pump System, Antimicrobial Filtration, ASTM Safety Cover, UL Listed, LED Water Feature



436

SPECIFICATIONS:

Dimensions:..... 80" x 84" x 36"
Average Fill350 gallons
Seating Capacity..... 4 person
Jet Count:..... 36 Jets
Power Pack:..... 220 Volt

FEATURES:

LED Lighting, Ozonator, DuoTone™ Jets, (1) Jet Pump System, Antimicrobial Filtration, ASTM Safety Cover, UL Listed, LED Water Feature

- 6 models
- 110 & 220 volt units
- Bluetooth Streaming Music Option
- Champion LED Lighting System
- MultiWeather™ Cabinet
- DuoZone™ Ozone System
- LED Water Feature
- Headrests
- Antimicrobial Filters
- DuoTone™ Jet Accents
- ASTM Spa Cover
- UL Listed

**Select Models Only*



COLOR SELECTION



Sand



Midnight Canyon



Silver Marble



Tuscan Sun



Smoky Mountain



MultiWeather™ Black



MultiWeather™ Gray



MultiWeather™ Mahogany

Samples represent photo reproduction of material. See dealer samples for the most accurate representation of color & texture. See your Saratoga Spa® dealer for more information.

Marble shell finishes do not form in similar patterns and are uniquely independent. Be aware of this when choosing a marble shell color option.

THE *Everyday* PLACE TO BE.



33 Wade Road
Latham NY, 12110
www.saratogaspas.com

PARTS



UV16 RATED



WEATHER
ENDURING



MADE IN
THE USA

IN WATER, IN STYLE.

Ledge Lounger in-pool furniture and accessories are the crowning jewel to any outdoor scene. Durable, high quality, and stylish, our products are designed for use on the pool's ledge, in water up to 20" deep. Transform your pools and help your clients relax [in water, in style with Ledge Lounger](#).



Chaise



Chaise Deep



Chair



22" Side Table w/ Lid



14" Side Table

POOLMASTER®

We Make Water Fun!



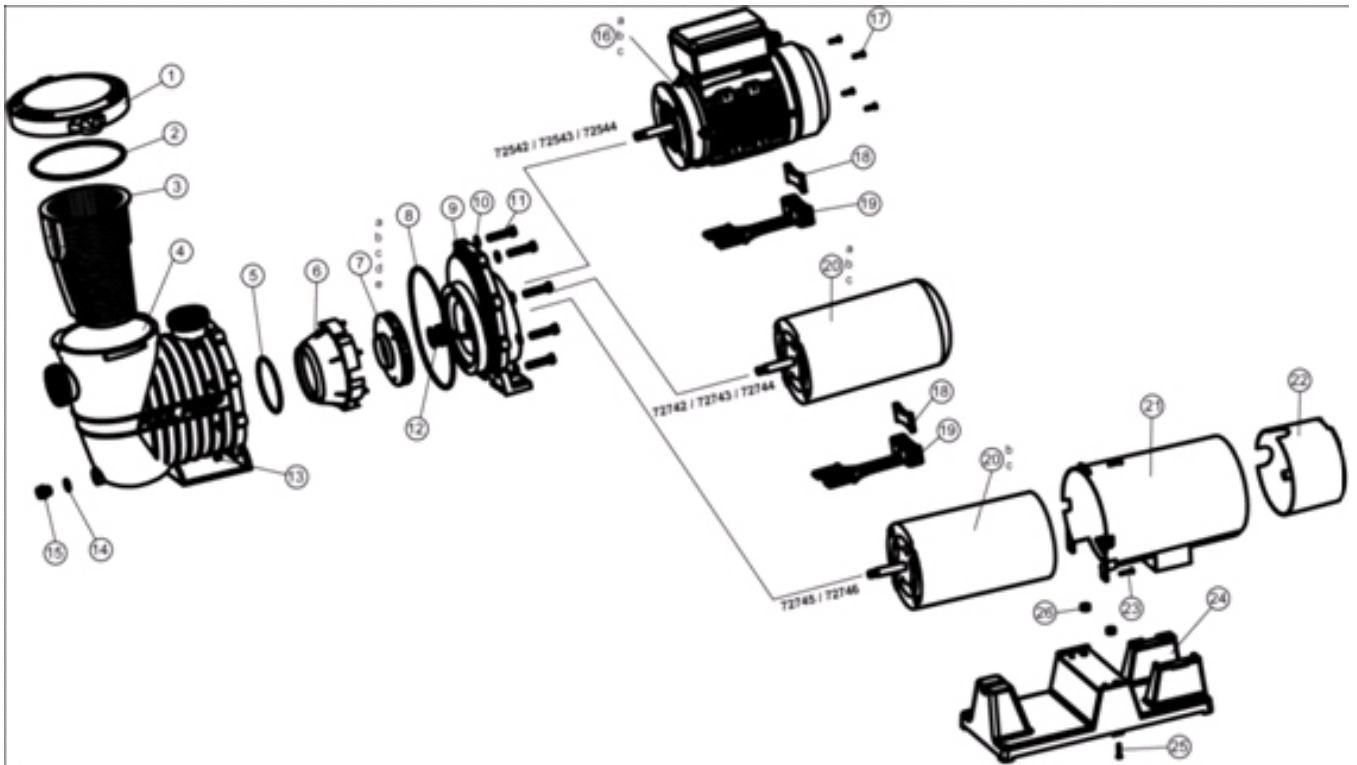
MAINTENANCE
INFLATABLES
F L O A T S
TOYS & GAMES
SWIM & DIVE
ACCESSORIES



PARTS

Essential Elements

Parts for pump models: EE2742/EE2743/EE2744/EE2745/EE2746

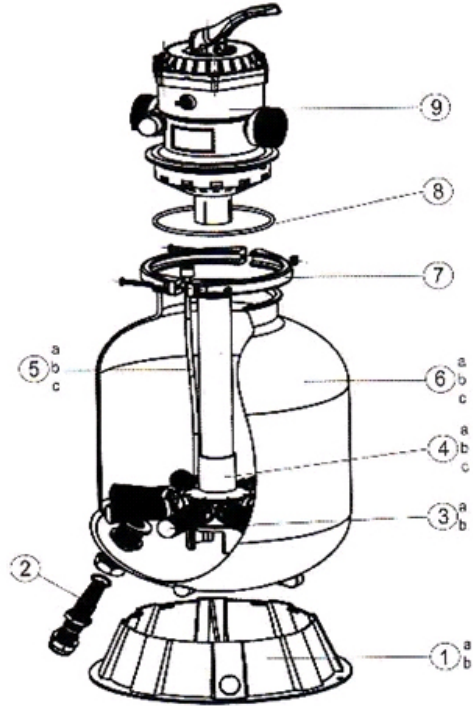


Ref #	Imperial No.	Part Number	Description
1		647252772000	Cover
1	EE647252772	647252772	
2		65431042080	O-ring
3		647252704001	Basket
4		647254201080	Pump housing
5		65431032080	O-ring
6		647254203080	Diffuser
7a		647254271000	Impeller for P2015/P2015DC/P2015D
7d		647274271000	Impeller for P2007/P2007DC/P2007D
7e		647274371000	Impeller for P2010/P2010DC/P2010D
8		65431075080	O-ring
9		647254202080	Pump cover
10		65244005000	Gasket M8
11		65221009000	Screw M8X40
12	EE65028003000	65028003000	Seal assembly
13		65231004106	Nut M8
14	EE65432002080	65432002080	Gasket
15		88601007	Drain plug
16a		647254205080	Supporting foot
17		647254204080	Mounting foot
18a		65023019000	0.75HP motor for P2007
18b		65023090000	1.0HP motor for P2010
18c		65023047000	1.5HP motor for P2015
18d		65023100000	0.75HP two speed motor for P2007D
18e		65023101000	1.0HP two speed motor for P2010D
18f		65023102000	1.5HP two speed motor for P2015D
20		65226020000	Screw P+8#-32*5/8 UNC

PARTS

Essential Elements

Parts for sand filter models: EE3040/EE3050/EE3060

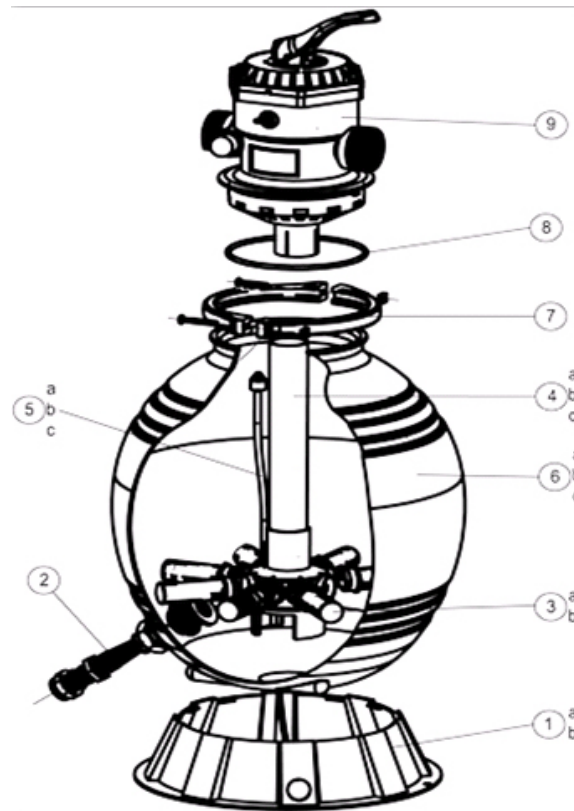


Ref #	Imperial No.	Part Number	Description
1a		647304009	Sand filter support for S116T
1b	EE647305009	647305009	Sand filter support
2	EE647304073	647304073	Drain plug
3a	EE647304017	647304017	Lateral
3b	EE647306016	647306016	Lateral
4a		647304079	Central pipe for S116T
4b	EE647305071	647305071	Central pipe for S119T
4c	EE647306072	647306072	Central pipe
5a		647304172	Air release assembly for S116T
5b	EE647305173	647305173	Air release assembly
5c	EE647306173	647306173	Air release assembly
6a		647304008	Filter tank for S116T
6b		647305008	Filter tank for S119T
6c		647306008	Filter tank for S124T
7	EE647304072	647304072	Flange clamp
8	EE65431012080	65431012080	O-ring
9	EE647304071	647304071	6-way valve

PARTS

Essential Elements

Parts for EE3045/EE3055/EE3065

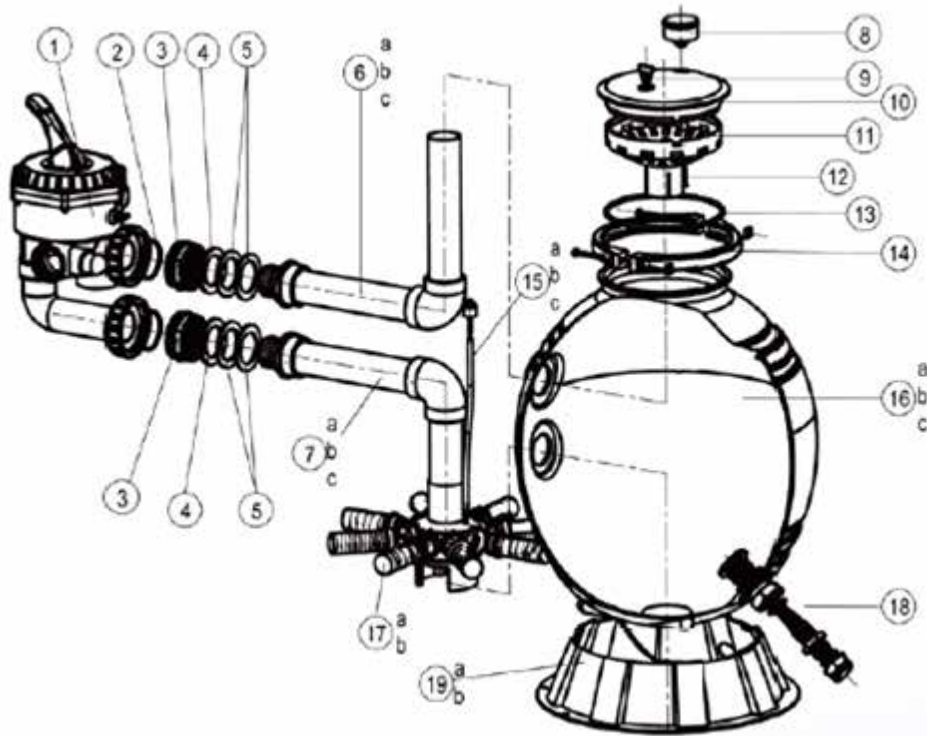


Ref #	Imperial No.	Part Number	Description
1a		647304009	Smaller sand filter support for S218T
1b	EE647305009	647305009	Sand filter support
2	EE647304073	647304073	Drain plug
3a	EE647304017	647304017	Lateral
3b	EE647306016	647306016	Lateral
4a		647304571	Central pipe for S218T
4b		647305571	Central pipe for S222T
4c		647306571	Central pipe for S226T
5a		647304172	Air release assembly for S218T
5b	EE647305173	647305173	Air release assembly
5c	EE647306173	647306173	Air release assembly
6a		647304501	Filter tank for S218T
6b		647305501	Filter tank for S222T
6c		647306501	Filter tank for S226T
7	EE647304072	647304072	Flange clamp
8	EE65431012080	65431012080	O-ring
9	EE647304071	647304071	6-way valve

PARTS

Essential Elements

Parts for filter models: EE3046/EE3056/EE3066

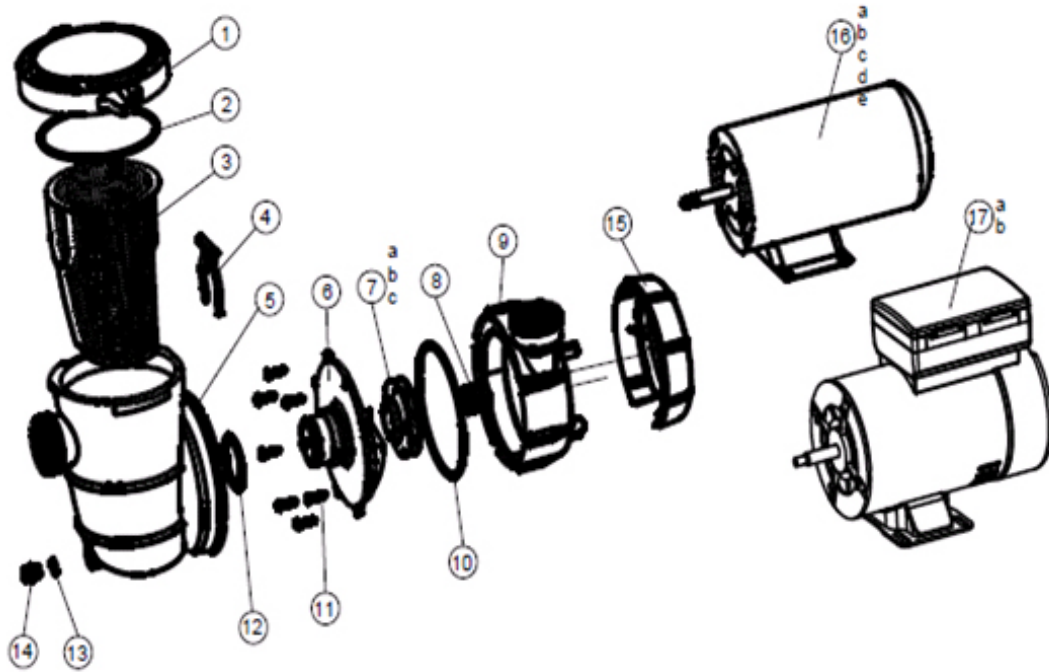


Ref #	Imperial No.	Part Number	Description
1		647304171	Lateral valve assembly
2		65431007080	O-ring
3		647304104	Bulkhead fitting
4		647304109	O-ring spacer
5		647304107	Gasket
6a		647304671	Top elbow assembly for S218S
6b		647305671	Top elbow assembly for S222S
6c		647306671	Top elbow assembly for S226S
7a		647304672	Bottom elbow assembly for S218S
7b		647305672	Bottom elbow assembly for S222S
7c		647306672	Bottom elbow assembly for S226S
8		97202	Pressure gauge
9	EE88601004	88601004	Drain plug with O-ring
10		647304116	Clear cover
11		647304004	Top diffuser assembly
12		65212006000-1	Screw S4.2X25
13	EE65431012080	65431012080	O-ring
14	EE647304072	647304072	Flange clamp
15a		647304172	Air release assembly for S218S
15b	EE647305173	647305173	Air release assembly
15c	EE647306173	647306173	Air release assembly
16a		647304601	Filter tank for S218S
16b		647305601	Filter tank for S222S
16c		647306601	Filter tank for S226S
17a	EE647304017	647304017	Lateral
17b	EE647306016	647306016	Lateral
18	EE647304073	647304073	Drain plug
19a		647304009080	Sand filter support for S218S
19b		647305009080	Sand filter support for S222S/S226S

PARTS

Essential Elements

Parts for pump models: EE2728/EE2729/EE2730/EE2731/EE2732/EE2733

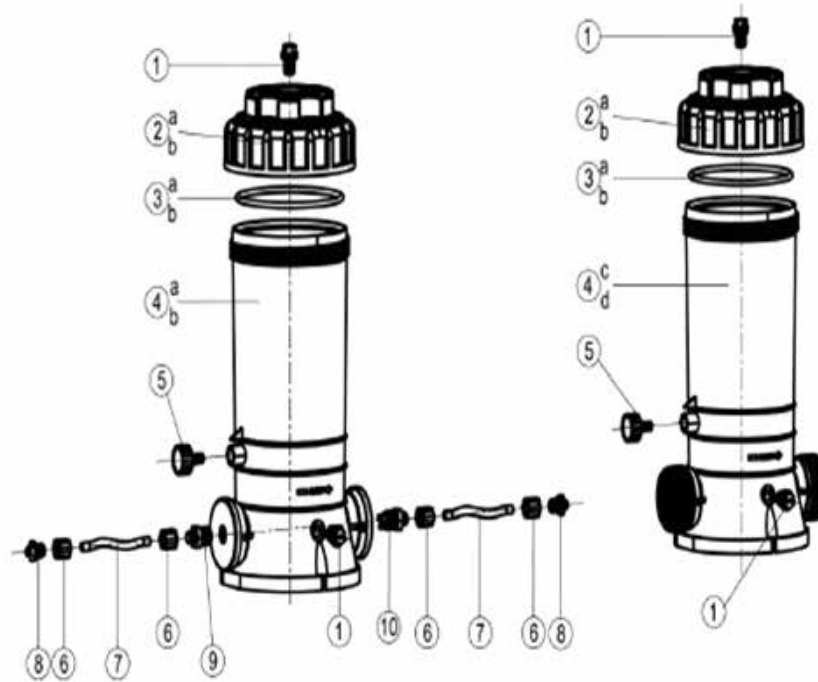


Ref #	Imperial No.	Part Number	Description
1a		647252772000	Cover for BC2728 / BC2729 / BC2730/ P1210D(DC) / P1215D(DC)
1b		648911672000	Cover for P1407/ P1410 /P1415/ P1410D(DC) / P1415D(DC)
2	EE65431042080	65431042080	o-ring
3		647252704001	Basket
4		647252705080	Clip
5a		647252703080	Strainer housing for BC2728 / BC2729 / BC2730/ P1210D(DC) / P1215D(DC)
5b		48913101080	Strainer housing for P1407/ P1410 /P1415/ P1410D(DC) / P1415D(DC)
6		647252702080	Pump cover
7a		647252771000	Impeller for BC2728/P1407
7b		647252871000	Impeller for BC2729/P1410/P1210 / P1210D(DC) / P1410D(DC)
7c		647272971000	Impeller for BC2730/P1415/P1215 / P1215D(DC)/ P1415D(DC)
8	EE65028003000	65028003000	Seal assembly
9		647252701080	Pump housing
10	EE65431040080	65431040080	o-ring
11		65212016000	Screw ST5.5X25
12	EE65431029080	65431029080	O-ring
13	EE65432002080	65432002080	Gasket
14	EE88601007	88601007	Drain plug
15		647252708	Motor mounting plate
16a		65023005000	0.75 HP motor for BC2728
16b		65023006000	1.0 HP motor for BC2729
16c		65023007000	1.5 HP motor for BC2730
16d		65023081000	1.0 HP two-speed motor for P1210D
16e		65023084000	1.5 HP two-speed motor for P1215D
17a		65023173000	1.0 HP two-speed motor for P1210DC
17b		65023174000	1.5 HP two-speed motor for P1215DC

PARTS

Essential Elements

Parts for product models: EE0166/EE0167/EE0168/EE0169

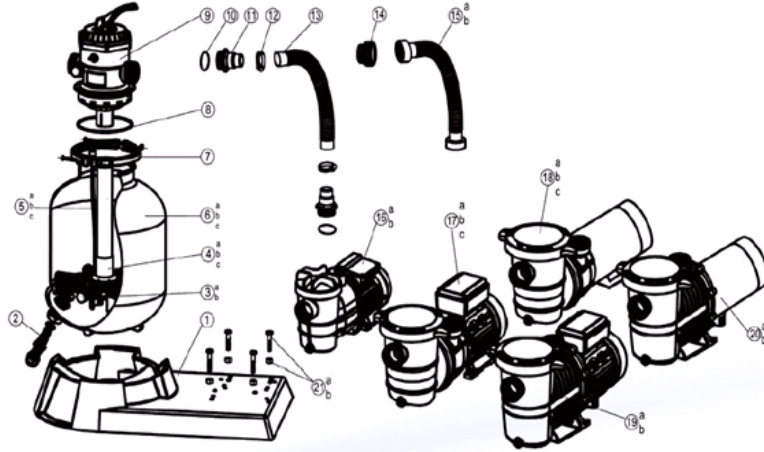


Ref #	Imperial No.	Part Number	Description
1	EE88601004	88601004	Drain plug with O-ring
2a	EE647016703	647016703	Cover for B8011/B8012
2b	EE647016872	647016872	Cover for B8013/B8014
3a	EE65431033080	65431033080	O-ring for B8011/B8012
3b	EE65431036080	65431036080	O-ring for B8013/B8014
4a		647016671	Chorinator body (4lbs,off line) for B8011
4b		647016871	Chorinator body (9lbs,off line) for B8013
4c		647016771	Chorinator body (4lbs,off line) for B8012
4d		647016971	Chorinator body (9lbs,off line) for B8014
5	EE647016875	647016875	Control valve assemble
6	EE647016806	647016806	Compression nuts
7	EE65749011080	65749011080	Plastic tubing
8	EE647016805	647016805	Saddle fitting
9	EE647016807	647016807	Inlet fitting adaptor
10	EE647016873	647016873	Check valve assembly

PARTS

Essential Elements

Parts for sand filtration system models: EE2027/EE2028/EE2029/EE2228/
EE2229/EE2230/EE2041/EE2241/EE2042/EE2043/EE2242/EE2243

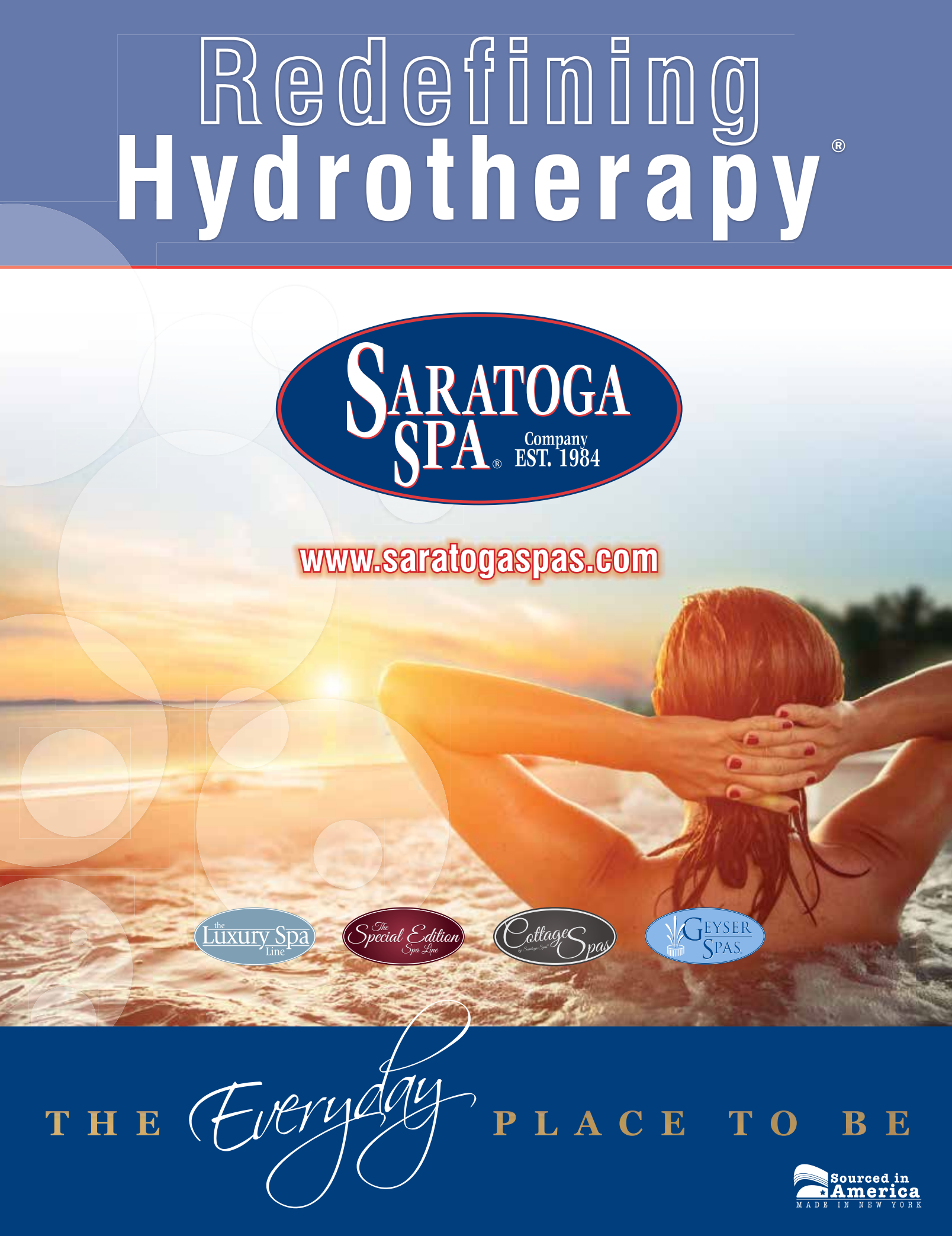


Ref #	Imperial No.	Part Number	Description
1		647202701	sand filter support for S116T/S119T/S124T
2	EE647304073	647304073	Drain plug
3a	EE647304017	647304017	Lateral
3b	EE647306016	647306016	Lateral
4a		647304079	center pipe for S116T
4b	EE647305071	647305071	Central pipe for S119T
4c	EE647306072	647306072	Central pipe
5a		647304172	Air release assembly for S116T
5b	EE647305173	647305173	Air release assembly
5c	EE647306173	647306173	Air release assembly
6a		647304008	Filter tank for S116T
6b		647305008	Filter tank for S119T
6c		647306008	Filter tank for S124T
7	EE647304072	647304072	Flange clamp
8	EE65431012080	65431012080	O-ring
9	EE647304071	647304071	6-way valve
10	EE65431021080	65431021080	
11	EE647303014	647303014	Hose Adaptor
12		65021005000	Hose Clamp
13		65749002011	1 1/2"(38mm)hose for F116T7103/F116T1103
14		647202702	Adaptor For F116T7205/F119T7207/F124T7210/ F116T1207/F119T1210/F124T1215/F119T6007/ F124T6010/F119T2007/F124T2010
15a		647202772	PVC hose for F116T7205/F116T1207
15a	EE647202871	647202871	PVC hose for F119T7207/F119T1210
15a		647202971	PVC hose for F124T7210/F124T1215
15b		647204271	PVC hose for F119T6007/F119T2007
15b		647204371	PVC hose for F124T6010/F124T2010
16a		P7103	0.35HP Pump for F116T7103
16b		P1103	0.35HP Pump for F116T1103
17a		P7205	0.5HP Pump for F116T7205
17b		P7207	0.75HP Pump for F119T7207
17c		P7210	1HP Pump for F124T7210
18a		P1207	0.75HP Pump for F116T1207
18b		P1210	1HP Pump for F119T1210
19a		P6007	0.75HP Pump for F119T6007
19b		P6010	1HP Pump for F124T6010
20a		P2007	0.75HP Pump for F119T2007
20b		P2010	1HP Pump for F124T2010
21a		647201273	Screw M6X25 and Nut M6 for F116T7103/F116T1103
21b	EE647202775	647202775	Screw M8X35 and Nut M8 for F116T7205/F119T7207/ F124T7210/F116T1207/F119T1210/F124T1215

Redefining Hydrotherapy[®]



www.saratogaspas.com



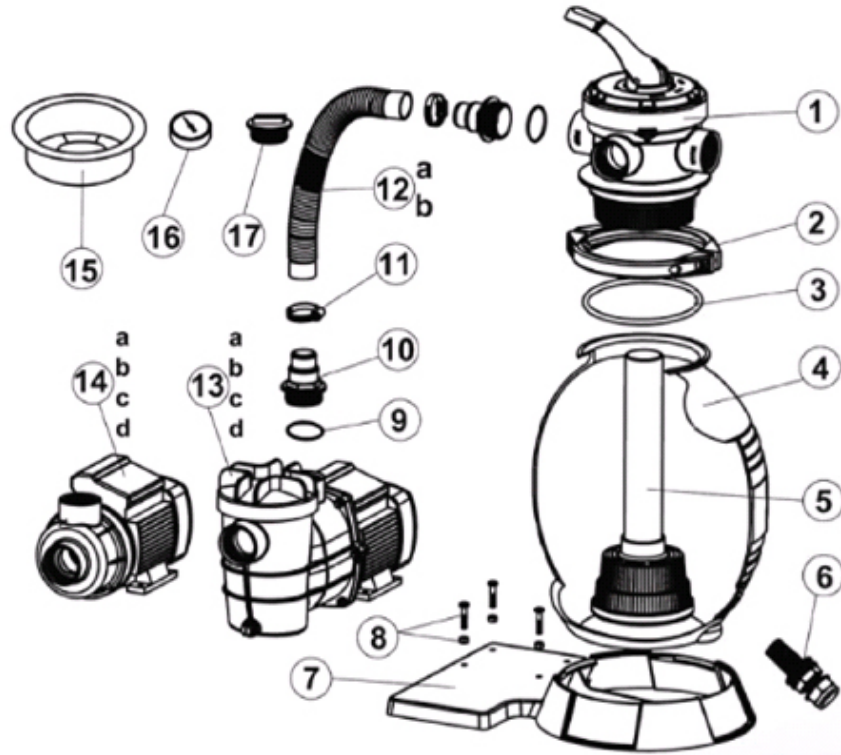
THE *Everyday* PLACE TO BE



PARTS

Essential Elements

Parts for sand filtration system models: EE2213/EE2215

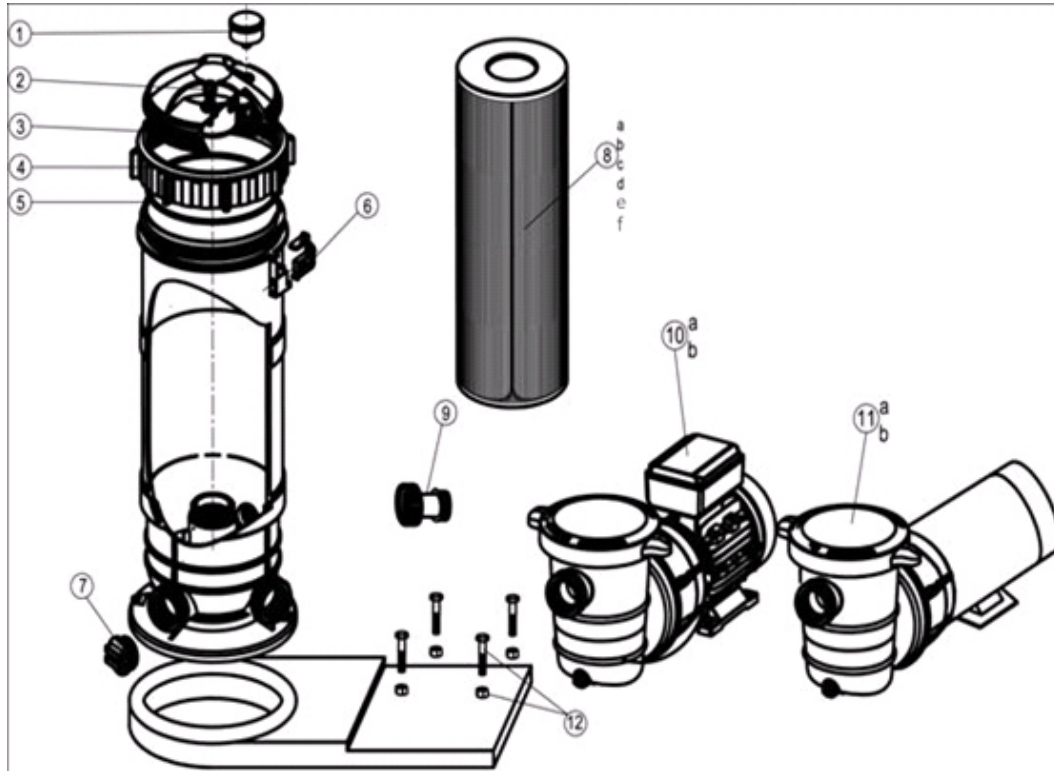


Ref #	Imperial No.	Part Number	Description
		P1102	0.25HP Pump for F412T1102
		P1103	0.35HP Pump for F412T1103
		65749014011	1 1/4 (32mm)x45cm hose for F412T1102/ F412T1103
1		647303071001	4-Way Valve
2		647303076000	Flange clamp
3		65431041080	O-ring
4		647303013931	Filter Tank
5		647303074	Filter Assembly
6		647303075	Drain plug
7		647303012	sand filter support
8		647201273	Screw M6X25 and Nut M6
9	EE65431021080	65431021080	
10	EE647303014	647303014	Hose Adaptor
11		BD7208	Hose Clamp
15		65756006000	Neck Fitting
16		BD7202	Pressure gauge
17	BD1215	BD1215	Plug W/o-ring 1 1/2 MIP

PARTS

Essential Elements

Parts for product models: EE3110/EE3111/EE3112/EE3113/EE2310/EE2311/EE2312/EE2313

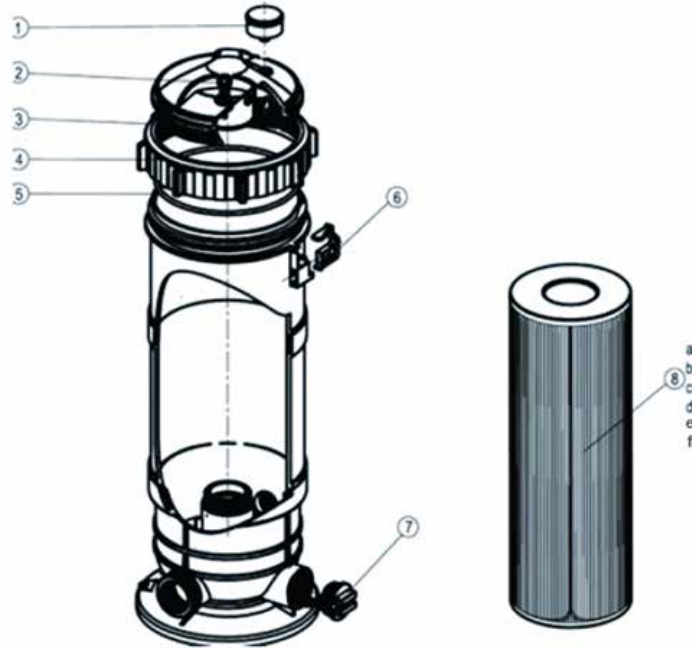


Ref #	Imperial No.	Part Number	Description
1		B8824	Pressure gauge
2	EEBE8601004	BE8601004	Drain plug with gasket
3	EE647311004	647311004	Seal cover
4	EE647311001	647311001	Locking ring
5	EE65431045080	65431045080	O-RING
6	EE647311009	647311009	Locking ring latch
7		B8565	Plug w/o-ring 1 1/2"
8a		65022001000	Cartridge element for C1025
8b		65022002000	Cartridge element for C1036
8c		65022003000	Cartridge element for C1050
8d	EE65022004000	65022004000	Cartridge element for C1070
8e		5022039031	Cartridge element for C1100
8f		5022040031	Cartridge element for C1120
9	EE647211073	647211073	Adapter assembly
10a		P7205	0.5HP Pump for F10257205/F10267205/F10507205
10b		P7207	0.75HP Pump for F10707207
11a		P1207	0.75HP Pump for F10251207/F10361207/F10501207
11b		P1210	1HP Pump for F10701207
12	EE647202775	647202775	Screw & nuts assembly(M8x35+M8)

PARTS

Essential Elements

Parts for product models: EE3110/EE3111/EE3112/EE3113/EE3114/EE3115

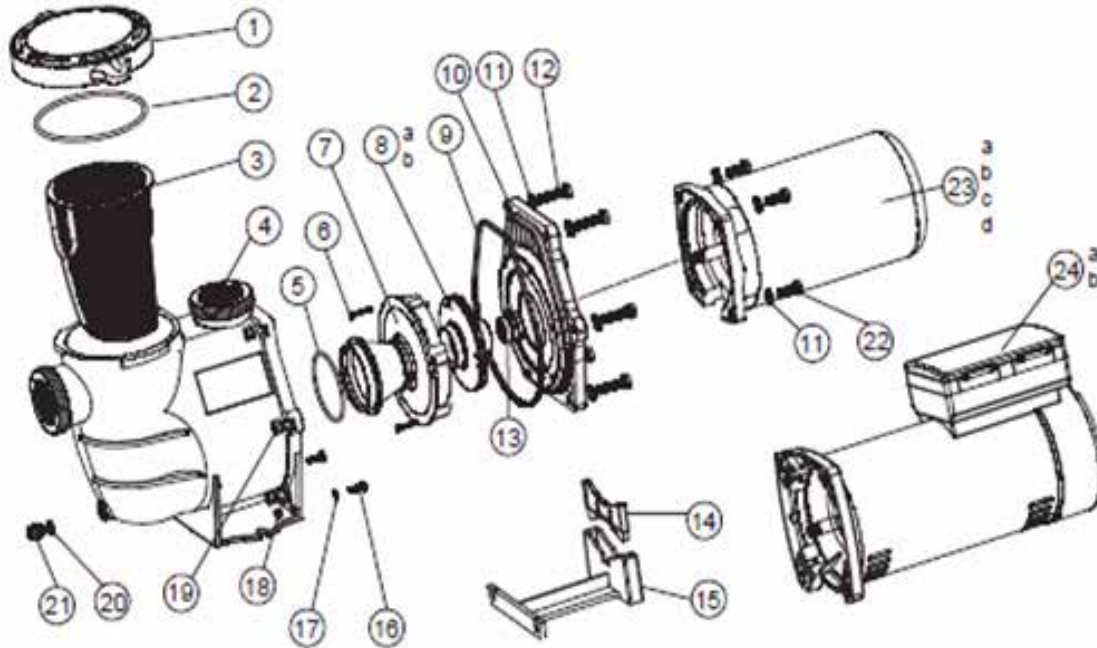


Ref #	Imperial No.	Part Number	Description
1		B8824	Pressure gauge
2	EEBE8601004	BE8601004	Drain plug with gasket
3	EE647311004	647311004	Seal cover
4	EE647311001	647311001	Locking ring
5	EE65431045080	65431045080	O-RING
6	EE647311009	647311009	Locking ring latch
7		B8565	Plug w/o-ring 1 1/2"
8a		65022001000	Cartridge element for C1025
8b		65022002000	Cartridge element for C1036
8c		65022003000	Cartridge element for C1050
8d	EE65022004000	65022004000	Cartridge element for C1070
8e		5022039031	Cartridge element for C1100
8f		5022040031	Cartridge element for C1120

PARTS

Essential Elements

Parts for pump models: EE2747/EE2748

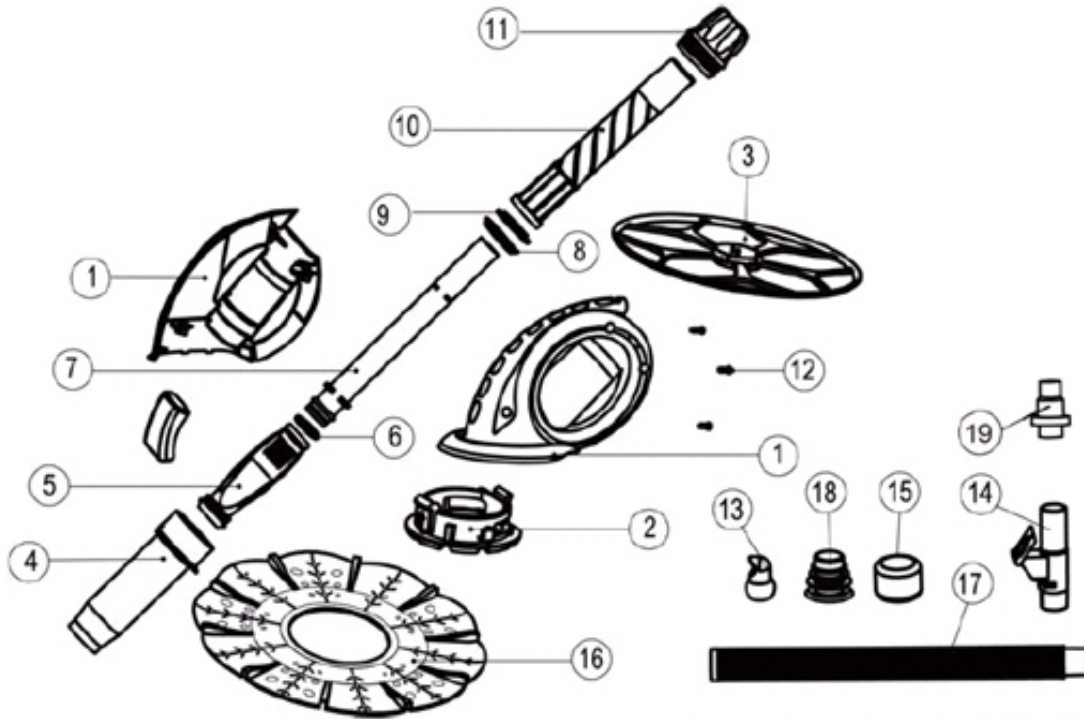


Ref #	Imperial No.	Part Number	Description
1		647252772000	Cover
2		65431042080	o-ring F145*F5
3		647252704001	Basket
4		647254701080	Pump housing
5		65431032080	o-ring F85.32*F3.53
6		65212025000	Screw ST4.2X38
7		647254703080	Diffuser
8a		647274771000	Impeller for P2110
8b		647274871000	Impeller for P2115
9		65431074080	o-ring
10		647254702080	Pump cover
11		65244015000	Gasket M10
12		65225003000	Screw 3/8-16*1 1/2 UNC
13	EE65028014000	65028014000	Seal assembly
14a		647254705080	Supporting foot
15		647254704080	Mounting foot
16		65224003000	Screw M6X20
17		65244016000	Gasket M6
18		65231002106	Nut M6
19		65232001106	Nut 3/8-16
20	EE65432002080	65432002080	Gasket
21		88601007	Drain plug
22		65221008000	Screw M6*20
23a		65023092000	1.0HP motor for P2110
23b		65023037000	1.5HP motor for P2115
23c		65023083000	1.0HP two speed motor for P2110D
23d		65023103000	1.5HP two speed motor for P2115D
		1023001	capacitor for P2110/ P2115

PARTS

Essential Elements

Parts for automatic cleaner models: EE3271/EE3272

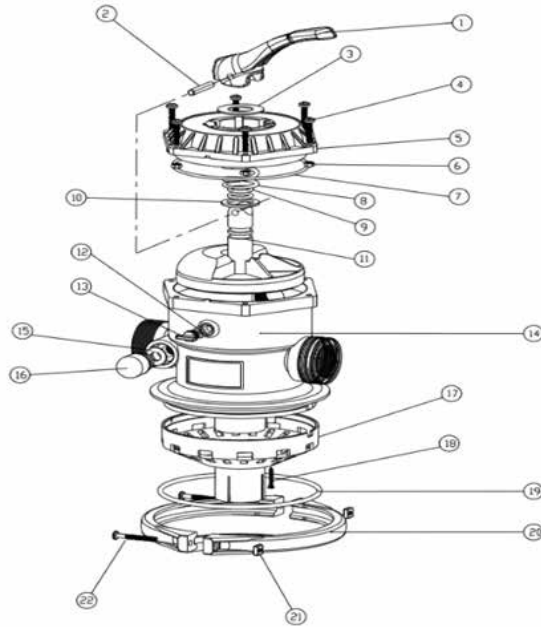


Ref #	Imperial No.	Part Number	Description
1		47327171	Frame assembly
2		47327105	footpad
3	EE647327104	47327104	Wheel deflector
4	EE647327106	47327106	Diaphragm chamber
5		48930306	Aboveground cassette diaphragm
6		48930313	Diaphragm retaining Ring
7		48930304	Threaded inner fxtension
8		48930312	Anchor ring
9		48930311	Gasket
10		48930303	Cassrte piupe
11		48930308	Hand nut
12			Screw ST4.2*12
13		47325021	Eyeball diverter and outer ring
14	EE647325075	647325075	Automatic regulator valve
15	EE647325025	647325025	Hose weights
18		47325001	Hose cone
19		5758025933	Swivel adaptor
	EE647327103	647327103	Pleated seal for B7321
			Pleated seal for B7320
		647325077	Hose for cleaner 1m for B7320
	EE647327271	647327271	Hose for cleaner 0.8m for B7321

PARTS

Essential Elements

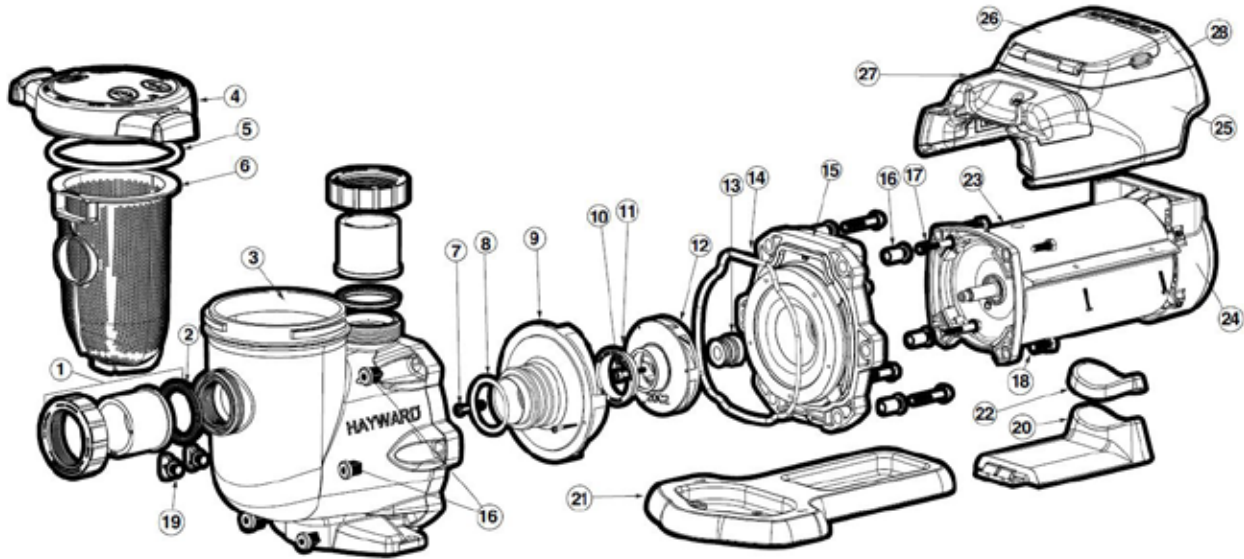
Parts for 6-way valve



Ref #	Imperial No.	Part Number	Description
1	EE47304006080	47304006080	Handle
7		5431043080	O-ring
8		5245002000	Spring
9		5431016080	O-ring
10		48890607000	Washer
11	EE47304003080	47304003080	Valve inside
12+13		88906001	Plug assembly
15+16		88906005	Transparent bottle assembly
	EE3105652010	3105652010	Label for 6-way valve

PARTS

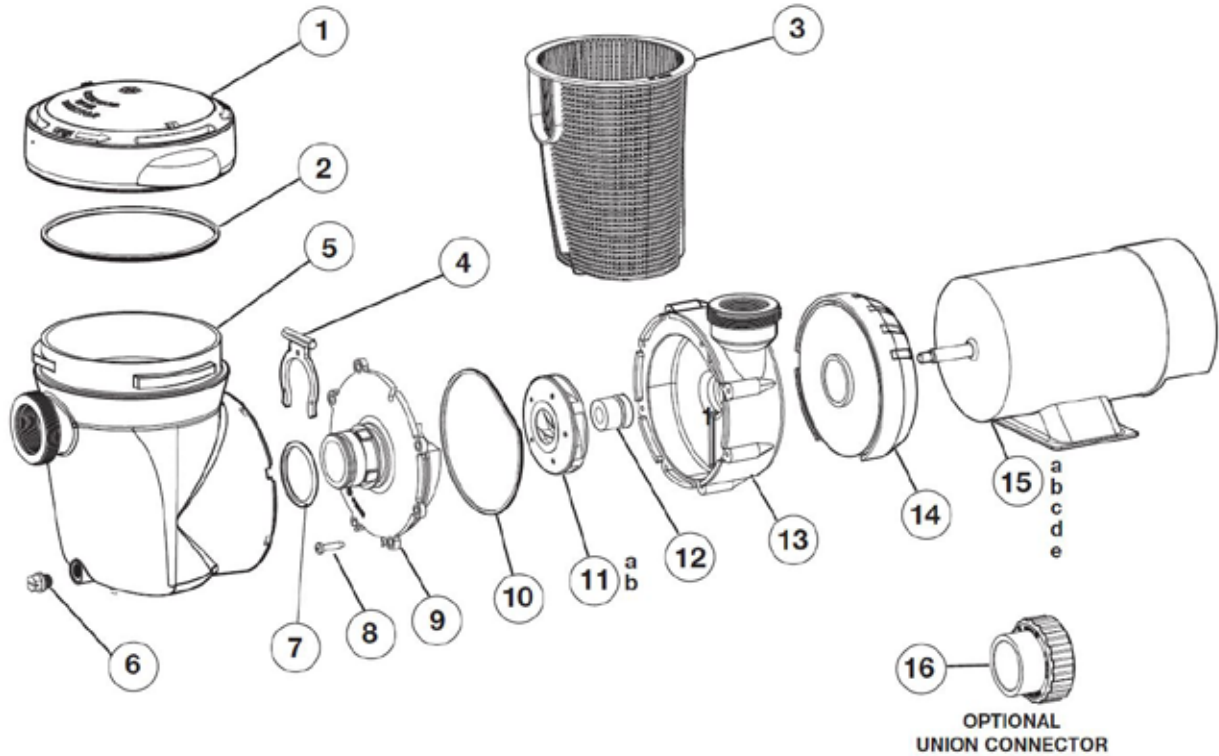
Hayward EcoStar Parts for Models: SP3400VSP, SP3400VSPVR



Ref #	Imperial No.	Part Number	Description
1	156097	SPX3200UNKIT	Union Connector Kit (Includes Nut, Connector, Gasket)
2	156096	SPX3200UG	Union Gasket (T-seal), 50 duro EPDM (2 per pack)
3	156087	SPX3200A	Pump Strainer Housing, 2" x 2" with Drain Plugs, Threaded Style
4	156089	SPX3200DLS	Strainer Cover Kit (Includes Strainer Cover, Lock Ring, O-Ring)
	-	SPX3200DLSB	Strainer Cover Kit (Biguanide Sanitizer Applications Only; NOT Pressure Testable)
5	156093	SPX3200S	Strainer Cover O-Ring
6	156092	SPX3200M	Basket - TriStar/Ecostar
7	-	SPX3200Z8	Diffuser Screw
8	150114	SPX4000Z1	Diffuser O-Ring
9	156088	SPX3200B3	Diffuser
10	156098	SPX3200Z1	Impeller Screw
11	HAYSPX3021R	SPX3021R	Impeller Ring
12	156105	SPX3220C	Impeller for 2 HP with Impeller Screw
13	156094	SPX3200SA	Seal Assembly - Hayward TriStar/EcoStar
14	156095	SPX3200T	Housing O-Ring
15	156090	SPX3200E	Seal Plate
16	156099	SPX3200Z211	Housing Insert / Seal Plate Spacer Kit
17	156100	SPX3200Z3	Housing Bolt
18	156101	SPX3200Z5	Motor Bolt
19	150115	SPX4000FG	Drain Plug with O-Ring
20	156091	SPX3200GA	Bracket, Motor Support
21	-	SPX3200WF	Riser Base Aligns with Pentair WhisperFlo Ports
21	-	SPX3200SR	Riser Base Aligns with Sta-Rite Max-E-Pro, Max-E-Glas, Dura-Glas and Dura-Glas II Ports
22	-	SPX3200Q	Adapter-Motor Support
24	-	SPX3400FAN	Motor Fan Shroud
25	-	SPX3400DR	Motor Drive (Includes Digital Control Interface)
25	-	SPX3400DRVR	Motor Drive, SVRS (Includes Digital Control Interface)
26	-	SPX3400DR4	Motor Drive Display Cover
27	-	SPX3400DR2	Motor Drive Wiring Cover
28	-	SPX3400LCD	Digital Control Interface Assembly
-	HAYSPX3400DRKIT	SPX3400DRKIT	Wall Mount Kit for Digital Control Interface
-	HAYSPXHKIT100	SPXHKIT100	H-KIT Quick Pump Repair for TriStar / EcoStar (Includes Items 5, 8, 13, 14 and Jacks Lube)

PARTS

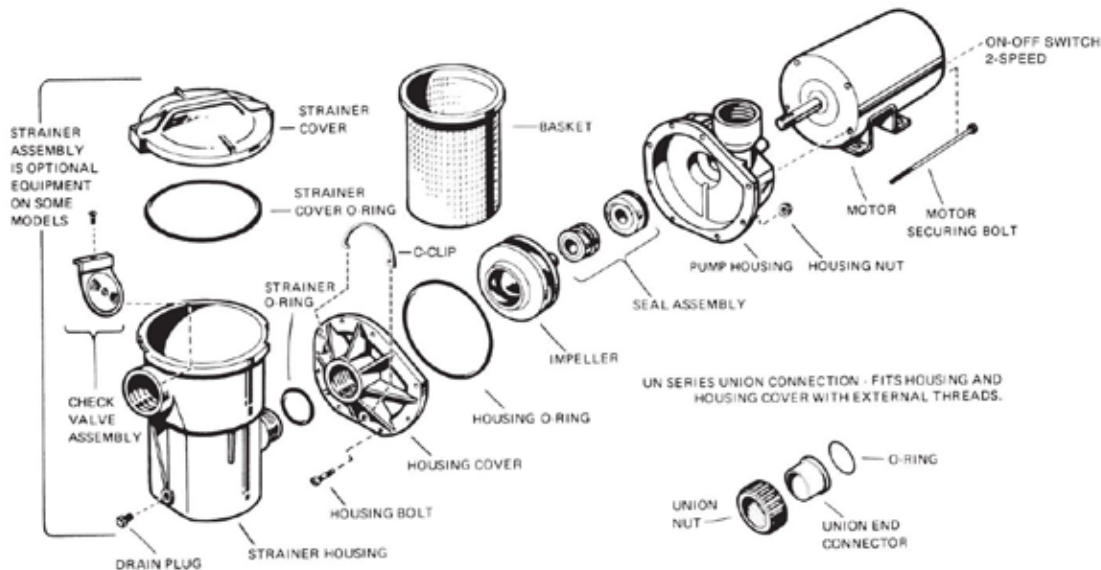
Hayward PowerFlo Matrix SP1590 Pump Series Replacement Parts



Ref #	Imperial No.	Part Number	Description
1	150873	SPX5500D	Strainer Cover with Lock Ring and O-Ring
2	150876	SPX5500H	Strainer Cover O-Ring
3	150874	SPX5500F	Strainer Basket
4	150875	SPX5500G	Strainer Retainer/'C' Clip
5	150872	SPX5500C	Strainer Housing
6	150028	SPX1700FG	Drain Plug with Gasket
7	150877	SPX5500K	Strainer O-Ring
8	HAYSPX0714Z48	SPX0714Z48	Screw, # 14 x 1/4" Type B Pan Head
9	150815	SPX5500B	Pump Cover
10	HAYSPX0710XZ5	SPX0710XZ5	Housing O-Ring
11a	150013	SPX1500F	Impeller (refer to part number on original equipment)
11b	152275	SPX1500L	Impeller (refer to part number on original equipment)
12	150007	SPX1500KA	Seal Assembly with Cup (Power-Flo LX & Power-Flo II)
13	150879	SPX5500A	Pump Housing
14	150878	SPX5500E	Shroud Assembly
16 (optional)	141286	SP1500UNPAK2	Union Connector Assembly
-	-	SPXHKIT12MTX	H-KIT Quick Pump Repair for PowerFlo Matrix (Includes items 2, 7, 10, 12 and Jacks Lube)

PARTS

Hayward PowerFlo LX SP1580 Pump Series Replacement Parts



Imperial No.	Part Number	Description
150610	SPX1580AAP	Pump Housing
150612	SPX1580BP	Housing Cover
150007	SPX1500KA	Seal Assembly with Cup (Power-Flo LX & Power-Flo II)
150613	SPX1580Z1	Housing O-Ring
150011	SPX1500N2	Housing Bolt, No. 10-24 Hex. Head
150012	SPX1500Y2	Housing Nut, No. 10-24 Hex.
150013	SPX1500F	Impeller (refer to part number on original equipment)
152275	SPX1500L	Impeller (refer to part number on original equipment)
150615	SPX1500CAP	Strainer Housing with Basket
150022	SPX1500D2A	Strainer Cover with O-Ring
150023	SPX1500P	Strainer Cover O-Ring
150024	SPX1250RA	Strainer Basket (1992 & Prior)
152136	SPX1500LX	Basket, Large 4 1/2" x 7" (all models) Power-Flo
150025	SPX1500RA	Check Valve Assembly (1990 & Prior)
150026	SPX1500W	Strainer O-Ring
150028	SPX1700FG	Drain Plug with Gasket
150029	SPX1500X1	Shim for vertical discharge (1999 And Prior)
HAYSPX1515C	SPX1515C	Strainer Housing C-Clip (2000-2003)
HAYSPX1515CN	SPX1515CN	Strainer Housing C-Clip (2004-)
-	SPXHKIT12	H-KIT Quick Pump Repair for PowerFlo (Includes SPX1500KA, SPX1580Z1, SPX1500P, SPX1500W, SPX1500H, SPX1705Z1 and Jacks Lube)

SP1520UN LX Parts same as SP1580 Series except as listed below:

Imperial No.	Part Number	Description
HAYSP1580AAT	SPX1580AAT	Pump Housing with External Thread
HAYSP1520BT	SPX1520BT	Housing Cover with External Thread, 1, 1 1/2 and 2 HP
HAYSP1500LH	SPX1500LH	1 HP Hi-Performance Impeller
HAYSPX1580CH	SPX1580CH	1 1/2 HP Hi-Performance Impeller
HAYSPX1525CH	SPX1525CH	2 HP Hi-Performance Impeller
150175	SPX3005R	Impeller Ring - for Hi-Performance Impellers

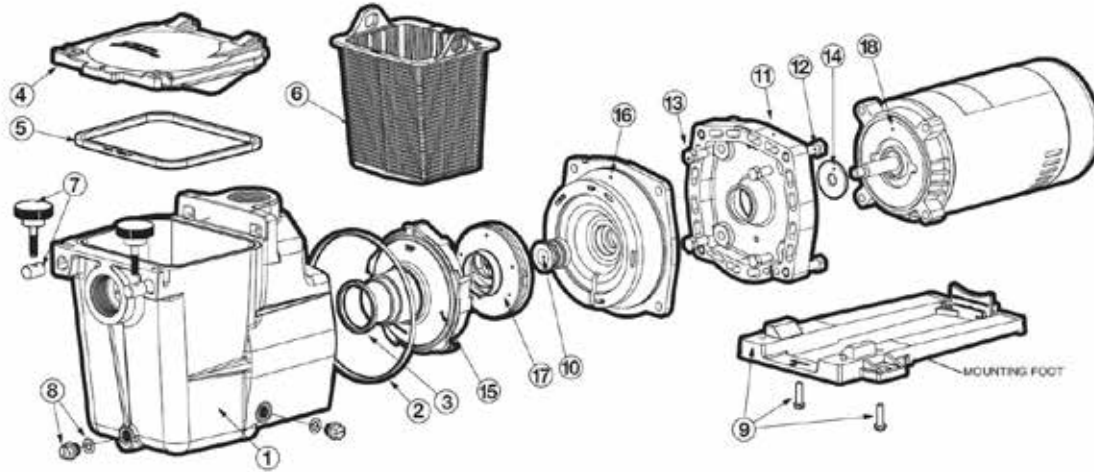
SP1680 Series Parts same as SP1580 except as listed below:

Imperial No.	Part Number	Description
HAYSPX1680GA	SPX1680GA	Basket

NOTES: *Limited Quantity Available

PARTS

Hayward Super Pump Parts for Models: SP2600X Series (Max-Rated) - SP2600X5, SP2605X7, SP2607X10(2S) SP2607EE, SP2610X15(2S), SP2615X20(2S), SP2621X25



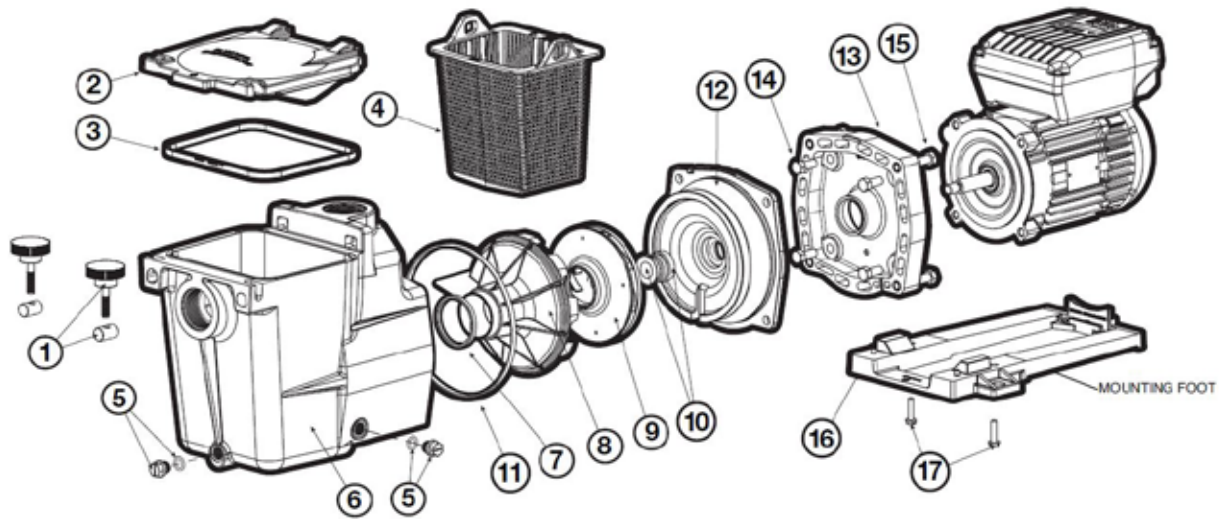
Ref #	Imperial No.	Part Number	Description
1	150067	SPX1600AA	Pump Housing/Strainer 1 1/2" x 1 1/2", with Drain Plugs
1	150068	SPX1620AA	Pump Housing/Strainer, 2" x 2", with Drain Plugs
2	150032	SPX1600T	Housing Gasket
3	150033	SPX1600R	Diffuser Gasket
-	150106	SPX1600TRA	Seal Assembly Kit - Hayward (includes Seal, Housing and Diffuser Gaskets)
4	150069	SPX1600D	Strainer Cover, Clear
4	-	SPX1600DB	Strainer Cover for Biguanide Sanitizers NOT Pressure Testable
5	150070	SPX1600S	Strainer Cover Gasket
6	150071	SPX1600M	Basket - Super Pump
7	150107	SPX1600PN	Hand Knob Kit (Includes Swivel Nut and Hand Knob)
-	150037	SPX1600V	1/4" Drain Plug (1991 & Prior)
8	150028	SPX1700FG	Drain Plug with Gasket
9	150038	SPX2600G1	Mounting Foot with Adapter and Screws
-	150040	SPX1600Z52	Mounting Foot Cap Screw (Set of 2 - 1995 & Prior, 2 sets required)
10	150041	SPX1600Z2	Seal Assembly - Hayward
11	150042	SPX1600F5	Motor Mounting Plate
12	150043	SPX1600Z4	Housing Cap Screw
13	150044	SPX0125Z44	Motor Cap Screws (Set of 4)
14	150045	SPX0125F	Slinger
15	150087	SPX2600B	Diffuser, for 1/2 thru 2 HP
15	150088	SPX1616B	Diffuser, for 2 1/2 HP ONLY
16	150051	SPX2600E5	Seal Plate, 1/2 thru 2 HP
16	HAYSPX1611E5	SPX1611E5	Seal Plate - (If for Standard SuperPump, ONLY good with 2 1/2 HP)
-	HAYSPXHKIT3	SPXHKIT3	Quick Fix Kit (Includes # 3, 7, 10, 11, & Jack's Lube) - (If for Standard SuperPump, kit includes SPX1600T, SPX1600S, SPX1600R, SPX1600Z2 & Jack's Lube)

Parts listed below must be ordered for specific model and HP

Ref #	Imperial No.	Part Number	Description
17	150057	SPX2600C	Impeller for 1/2 HP
17	150058	SPX2605C	Impeller for 3/4 HP
17	150059	SPX2607C	Impeller for 1 HP
17	150060	SPX2610C	Impeller for 1 1/2 HP
17	150061	SPX2615C	Impeller for 2 HP
17	150089	SPX1621C	Impeller for 2 1/2 HP

PARTS

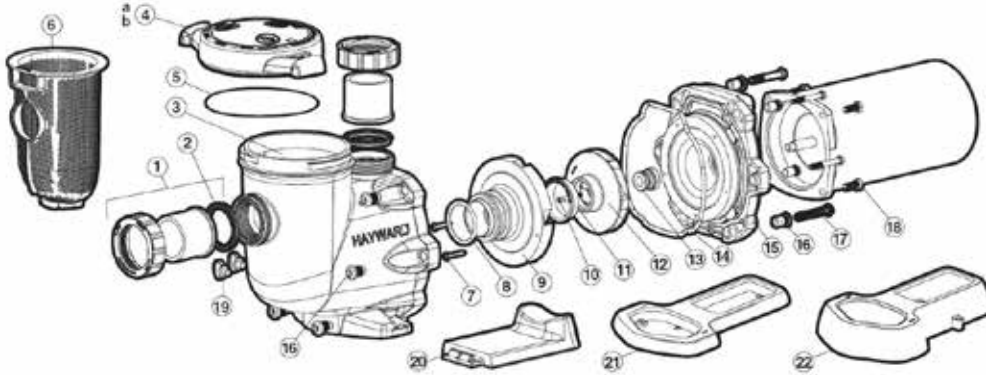
Hayward Super Pump VS Replacement Parts for Models: SP2600VSP, SP2602VP



Ref #	Imperial No.	Part Number	Description
1	150107	SPX1600PN	Hand Knob Kit (Includes Swivel Nut and Hand Knob)
2	150069	SPX1600D	Strainer Cover, Clear
3	150070	SPX1600S	Strainer Cover Gasket
4	150071	SPX1600M	Basket - Super Pump
5	150028	SPX1700FG	Drain Plug with Gasket
6	150067	SPX1600AA	Pump Housing/Strainer 1 1/2" x 1 1/2", with Drain Plugs
7	150033	SPX1600R	Diffuser Gasket
8	150088	SPX1616B	Diffuser, for 2 1/2 HP ONLY
9	150089	SPX1621C	Impeller for 2 1/2 HP
10	150041	SPX1600Z2	Seal Assembly - Hayward
11	150032	SPX1600T	Housing Gasket
12	HAYSPX1611E5	SPX1611E5	Seal Plate - (If for Standard SuperPump, ONLY good with 2 1/2 HP)
13	150042	SPX1600F5	Motor Mounting Plate
14	150044	SPX0125Z44	Motor Cap Screws (Set of 4)
15	150043	SPX1600Z4	Housing Cap Screw
16	150038	SPX2600G1	Mounting Foot with Adapter and Screws
17	150040	SPX1600Z52	Mounting Foot Cap Screw (Set of 2 - 1995 & Prior, 2 sets required)
-	HAYSPXHKIT3	SPXHKIT3	Quick Fix Kit (Includes # 3, 7, 10, 11, & Jack's Lube) - (If for Standard SuperPump, kit includes SPX1600T, SPX1600S, SPX1600R, SPX1600Z2 & Jack's Lube)

PARTS

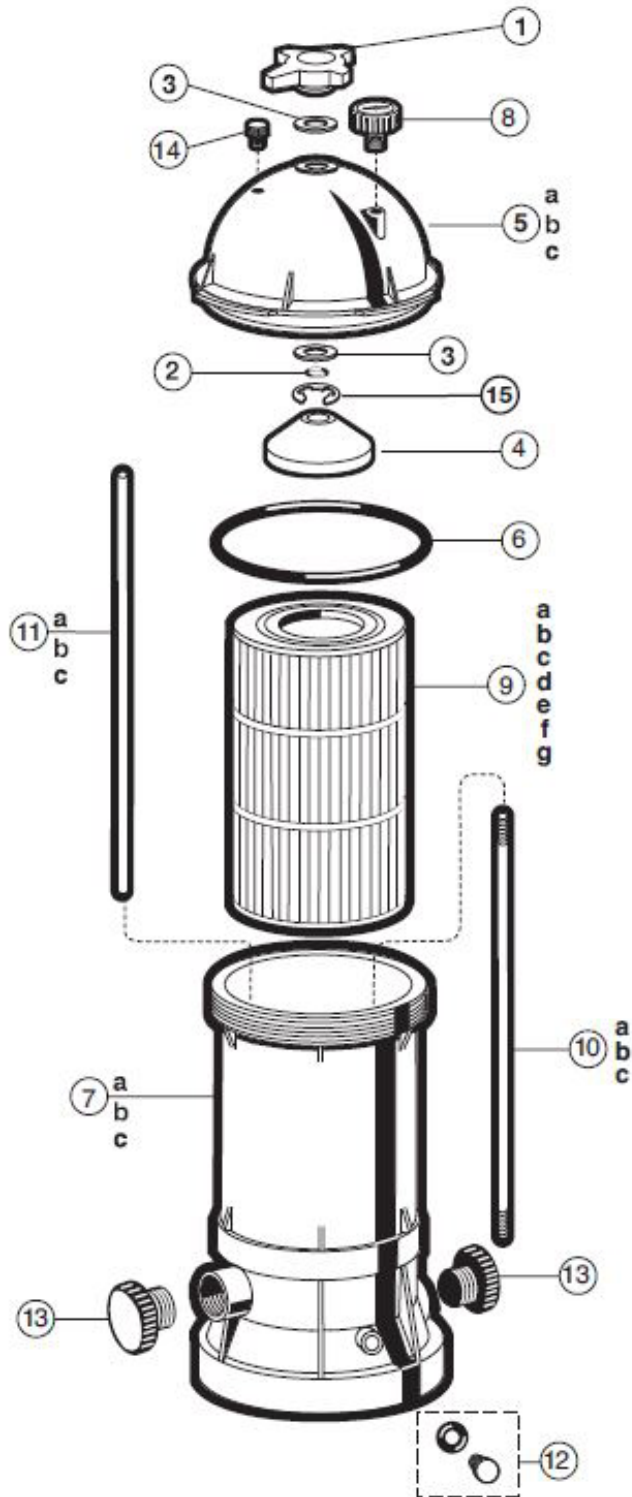
TriStar SP3200EE Pump Series (Energy Efficient, Full-Rated) Replacement Parts



Ref #	Imperial No.	Part Number	Description
1	156097	SPX3200UNKIT	Union Connector Kit (Includes Nut, Connector, Gasket)
2	156096	SPX3200UG	Union Gasket (T-seal), 50 duro EPDM (2 per pack)
3	156087	SPX3200A	Pump Strainer Housing, 2" x 2" with Drain Plugs, Threaded Style
4a	156089	SPX3200DLS	Strainer Cover Kit (Includes Strainer Cover, Lock Ring, O-Ring)
4b	-	SPX3200DLSB	Strainer Cover Kit for Biguanide Sanitizers (Includes Strainer Cover, Lock Ring, T-Ring NOT Pressure Testable)
5	156093	SPX3200S	Strainer Cover O-Ring
6	156092	SPX3200M	Basket - TriStar/Ecostar
7	-	SPX3200Z8	Diffuser Screws (2 per)
8	150114	SPX4000Z1	Diffuser O-Ring
9	156088	SPX3200B3	Diffuser
10	156098	SPX3200Z1	Impeller Screw
11	HAYSPX3021R	SPX3021R	Impeller Ring
12	-	SPX3205C	Impeller for 1/2 HP with Impeller Screw
12	HAYSPX3207CM	SPX3207CM	Impeller for 3/4 HP with Impeller Screw
12	156103	SPX3210C	Impeller for 1 HP with Impeller Screw
12	156104	SPX3215C	Impeller for 1 1/2 HP with Impeller Screw
12	156105	SPX3220C	Impeller for 2 HP with Impeller Screw
12	156106	SPX3230C	Impeller for 3 HP with Impeller Screw
12	-	SPX3230C5	Impeller for 5 HP with Impeller Screw
13	156094	SPX3200SA	Seal Assembly - Hayward TriStar/EcoStar
14	156095	SPX3200T	Housing O-Ring
15	-	SPX3200E	Seal Plate
16	156099	SPX3200Z211	Housing Insert / Seal Plate Spacer Kit
17	156100	SPX3200Z3	Housing Bolt
18	-	SPX3200Z5	Motor Bolt
19	150115	SPX4000FG	Drain Plug with O-Ring
20	-	SPX3200GA	Bracket, Motor Support
21	-	SPX3200WF	Riser Base Aligns with Pentair WhisperFlo Ports
22	-	SPX3200SR	Riser Base Aligns with Sta-Rite Max-E-Pro, Max-E-Glas, Dura-Glas and Dura-Glas II Ports
-	HAYSPXHKIT100	SPXHKIT100	H-KIT Quick Pump Repair for TriStar / EcoStar (Includes Items 5, 8, 13, 14 and Jacks Lube)

PARTS

Hayward StarClear Plus Cartridge Filter Series and Separation Tank Replacement Parts



PARTS

Hayward StarClear Plus Cartridge Filter Series and Separation Tank Replacement Parts

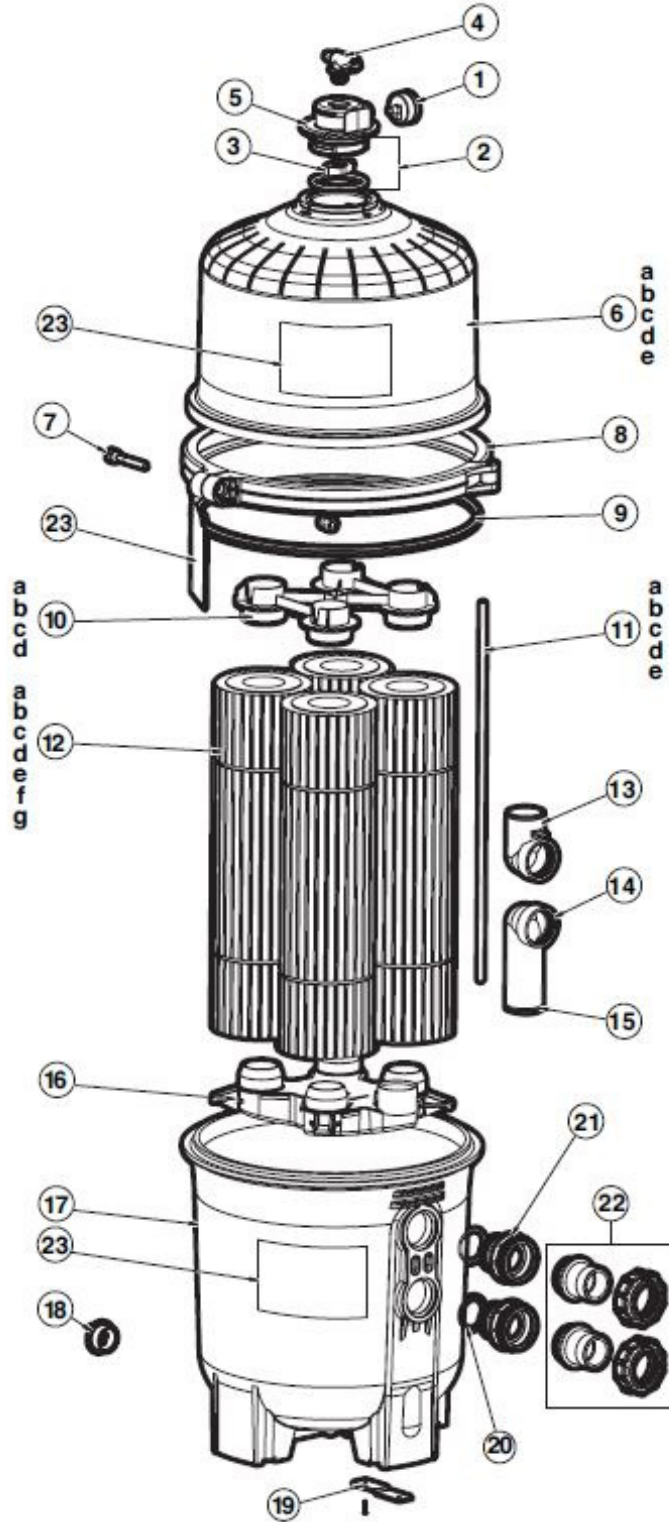
Ref #	Imperial No.	Part Number	Description
1	150586	CX900G	Locking Knob (C751, C900, C1200, C1502 Series)
	-	CX900DA	Knob Accessory Kit (Includes Plastic Washers, O-Ring, Guide Cone and E-Clip)
	-	CX1750G	Locking Knob (C1750, C2002 Series)
2	150587	CX900H	Knob O-Ring
3	-	CX900WPAK2	Knob Washer (Set of 2)
4	150590	CX900D	Guide Cone
5a	-	CX900B	Filter Head with Directional Vent Valve (C751, C900 Series)
5b	150592	CX1200B	Filter Head with Directional Vent Valve (C1200, C1502 Series)
5c	156036	CX1750B	Filter Head with Directional Vent Valve (C1750, C2002 Series)
6	150593	CX900F	Filter Head O-Ring
7a	-	CX900AA	Filter Body - 1 1/2 Inches FIP (C751, C900)
	-	CX900AA2	Filter Body - 2 Inches FIP (C7512, C9002, C9002S)
7b	150596	CX1200AA	Filter Body - 1 1/2" FIP (C1200)
	-	CX1200AA2	Filter Body - 2 Inches FIP (C12002, C12002S, C1502)
7c	-	CX1750AA2	Filter Body - 2 Inches FIP (C17502, C17502S, C2002)
8	HAYECX271261	ECX271261	Pressure Gauge
9a	HAYCX760RE	CX760RE	Cartridge Element (C751 Series)
9b	-	CX900RE	Cartridge Element (C900 Series)
9c	-	CX1200RE	Cartridge Element (C1200 Series)
9d	-	CX1520RE	Cartridge Element (C1502 Series)
9e	-	CX2020RE	Cartridge Element (C2002 Series)
9f	-	CX1750RE	Cartridge Element (C1750 Series)
9g	HAYCX1900RE	CX1900RE	Cartridge Element (C1900 Series)
10a	150575	CX800Z2	Tie Rod (C751, C900 Series)
10b	-	CX1100Z2	Tie Rod (C1200, C1502 Series)
10c	-	CX1750Z2	Tie Rod (C1750, C2002 Series)
11a	150583	CX800Z4	Air Relief Tube Assembly (C2020/C2025) & (C751, C900 Series)
11b	150584	CX1100Z4	Air Relief Tube (C1200, C1502 Series)
11c	-	CX1750Z4	Air Relief Tube (C1750, C2002 Series)
12	150620	CX250Z14A	Drain Plug Kit (Includes Plug and O-Ring)
13	150598	CX900K	2" PVC Socket Connector
14	152041	ECX1322A	Vent Valve (Threaded) with O-Ring
15	150589	CX900J	E-Ring

D.E. Separation Tank (Parts are same as C900 except replace cartridge element with option below.

Ref #	Imperial No.	Part Number	Description
-	-	CX900DB	D.E. Collector Bag Assembly (May 2004 and Prior)
-	-	CX900DBA	D.E. Collector Bag Assembly (after May 2004)

PARTS

Hayward SwimClear Cartridge Filter Series Replacement Parts



PARTS

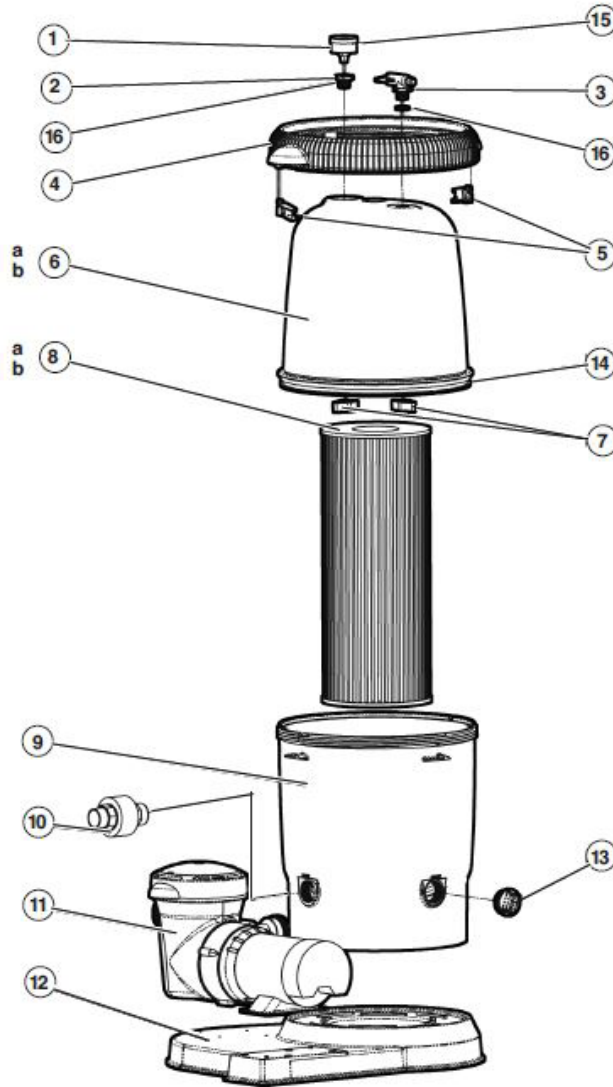
Hayward SwimClear Cartridge Filter Series Replacement Parts

Ref #	Imperial No.	Part Number	Description
1	HAYECX2712B1	ECX2712B1	Pressure Gauge
2	150193	DEX2420Z8A	O-Ring Kit (Set of 2)
3	156033	CCX1000N	Manual Air Relief Valve Nut
4	156034	CCX1000V	Manual Air Relief Valve with O-Ring
5	150814	DEX2420MAR2	Manual Air Relief Assembly
6a	-	DEX2420BTC	Filter Head (C2020/C2025)
6b	-	DEX3620BTC	Filter Head (C3020/C3025)
6c	-	DEX4820BTC	Filter Head (C4020/C4025)
6d	-	DEX6020BTC	Filter Head (C5020/C5025)
6e	-	DEX7220BTC	Filter Head (C7000/C7020)
7	HAYDEX2421J2	DEX2421J2	Clamp Bolt and Nut
8	150297	DEX2421JKIT	Clamp System including: Clamp, Clamp Nut and Bolt, Warning Hand Tag, Metal Reinforced Seal and Labels
9	HAYDEX2422Z2	DEX2422Z2	Metal Reinforced Seal
10a	-	CX2020DA	Top Closure Plate (C2020/C2025)
10b	150139	CX3020DA	Top Closure Plate (C3020/C3025, C4020/C4025)
10c	-	CX5020DA	Top Closure Plate (C5020/C5025)
10d	-	CX3020D4	Top Closure Plate (C7000/C7020)
11a	150583	CX800Z4	Air Relief Tube Assembly (C2020/C2025) & (C751, C900 Series)
11b	150603	CX3000Z3	Air Relief Tube Assembly (C3020/C3025)
11c	-	CX4000Z3	Air Relief Tube Assembly (C4020/C4025)
11d	150141	CX5000Z3	Air Relief Tube Assembly (C5020/C5025)
11e	-	CX7000Z3	Air Relief Tube Assembly (C7000/C7020)
12a	HAYCX480XRE	CX480XRE	Replacement Element (C2020/C2025)
-	-	CX480XREPAK4	Cartridge Elements (C2020, C2025) - 4 Pack
12b	HAYCX580XRE	CX580XRE	Replacement Element (C3020/C3025)
-	-	CX580XREPAK4	Cartridge Elements (C3020, C3025) - 4 Pack
12c	150909	PA106	Replacement Element (C4020/C4025)
-	-	CX880XREPAK4	Cartridge Elements (C4020, C4025) - 4 Pack
12d	-	CX875XRE	Replacement Element (C4520)
-	-	CX875XREPAK4	Cartridge Elements (C4520) - 4 Pack
12e	HAYCX1280XRE	CX1280XRE	Replacement Element (C5020/C5025)
-	-	CX1280XREPAK4	Cartridge Elements (C5020, C5025) - 4 Pack
12f	-	CX1380XRE	Replacement Element (C5520 Series)
-	-	CX1380XREPAK4	Cartridge Elements (C5520) - 4 Pack
12g	-	CX590XRE	Replacement Element (C7000/C7020)
-	-	CX590XREPAK4	Cartridge Elements (C7000, C7020) - 4 Pack
-	-	CX7020M	Mid Plate Connector (C7000/C7020 Models ONLY)
13	-	CX3000F1B	Inlet Elbow
14	150145	CX3020FB	Outlet Elbow
15	HAYDEX360M	DEX360M	O-Ring
16	150605	CX3000C	Bottom Collector Manifold
17	-	DEX2420ATC	Filter Body
18	156076	SP1022CBLK	Drain Plug with Gasket, Threaded 1 1/2", Black
19	-	DEX2420DCKIT	Strap Kit (Optional)
20	150176	SX220Z2	Bulkhead O-Ring (2 Required)
21	HAYDEX2420F	DEX2420F	Bulkhead Fitting (2 Required)
22	150149	DE2400PAK2CS	Plumbing Kit (includes: 2 O-rings, 2 Slip Connectors, 2 Locknuts)
23	-	DEX2420LA6PAK	Label Pack (Includes all Warning and Operation Labels, Hand Tag (#24), Wire Tie and Owners Manual)

NOTE: *Compatible only with DEX2421JKIT clamp system for Hayward Pro-Grid™ D.E. and SwimClear™ cartridge filters.

PARTS

Hayward XStream Filtration Cartridge Filter Series Replacement Parts



Hayward XStream Filtration Cartridge Filter Series Replacement Parts

Ref #	Imperial No.	Part Number	Description
1	-	ECX2709A1	Pressure gauge
2	HAYCCX1000L	CCX1000L	Threaded Adapter for Pressure Gauge
3	156034	CCX1000V	Manual Air Relief Valve with O-Ring
4	156031	CCX1000D	Lock Ring Assembly with 2 Safety Clips
5	-	CCX1000H	Safety Clips for Lock Ring (Set of 2)
6a	156030	CCX1000C	Filter Lid with Lock Ring, 100 sq. ft.
6b	156035	CCX1500C	Filter Lid with Lock Ring, 150 sq. ft.
7	156033	CCX1000N	Manual Air Relief Valve Nut
8a	HAYCCX1000RE	CCX1000RE	Cartridge Element, 100 sq. ft.
8b	HAYCCX1500RE	CCX1500RE	Cartridge Element, 150 sq. ft.
9	156029	CCX1000B	Filter, Lower Body
10	141230	SP1480BLK	Self Aligning Union, Black
12	-	CCX1000A	Base, standard
13	156076	SP1022CBLK	Drain Plug with Gasket, Threaded 1 1/2", Black
14	HAYCCX1000G	CCX1000G	Body O-Ring
15	150026	SPX1500W	Strainer O-Ring
16	HAYCCX1000Z5	CCX1000Z5	O-Ring for Gauge Adapter and Air Relief



Imperial POOLS INC.®

REDEFINING ONE SOURCE

MANUFACTURER – DISTRIBUTOR – PARTNER

Imperial Pools is North America's only Privately Owned manufacturer of inground residential swimming pools and full line distributor of related products.

- Packaged Pools
- Steps
- Vinyl Liners
- Safety Covers
- Coping
- Pumps & Filters
- Heating
- Chemicals
- Cleaners / Maintenance
- Parts & Accessories
- Spas



**Imperial
POOLS INC.®**
REDEFINING ONE SOURCE

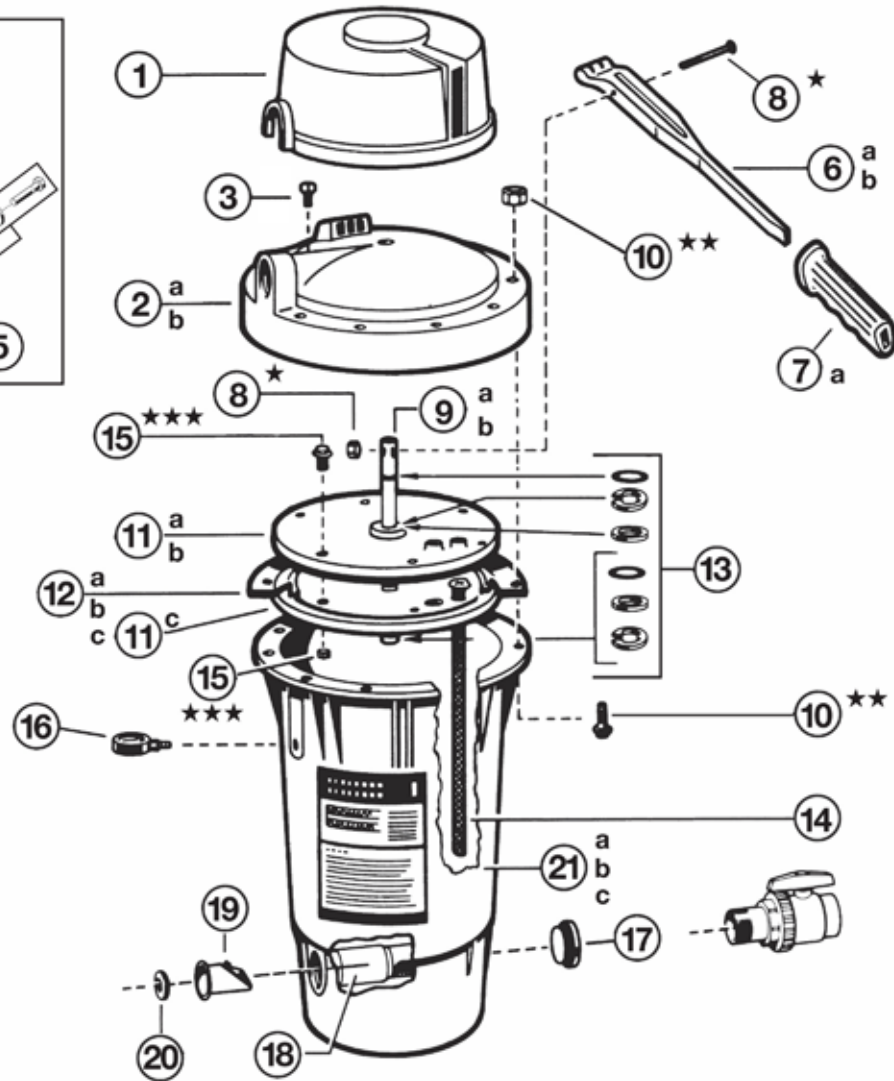
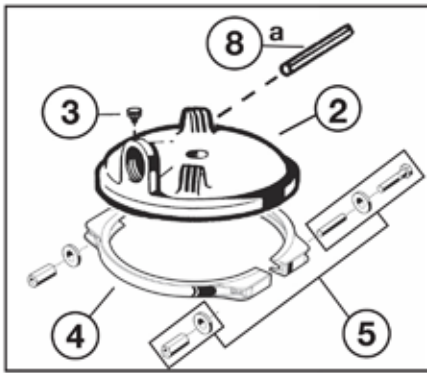
33 Wade Rd
Latham, New York 12110

www.imperialpools.com



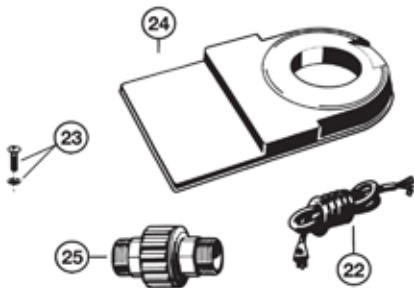
PARTS

Hayward Perflex EC30, EC40 And EC40AC Extended-Cycle D.E. Filter Replacement Parts

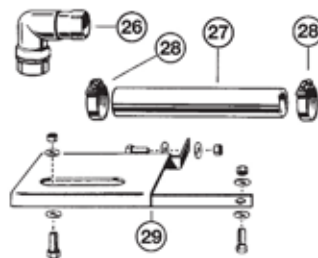


- ★ Bump Handle Screw Kit
- ★★ Filter Head Screw Set
- ★★★ Tube Sheet Hex Screw Set

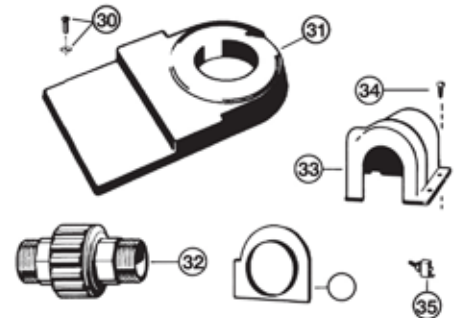
EC301500 SERIES SYSTEMS



SERIES EC40F KIT



SERIES EC4075 & EC40C75 FILTERS



Ref #	Imperial No.	Part Number	Description
1	-	ECX10066	Bump Mechanism Cover
2a	-	ECX1131P	Filter Head with Vent Valve - EC30
2b	150292P	ECX10334P	Filter Head with Vent Valve - EC50A & EC40
2c	152319	ECX5000BP	Filter Head with Vent Valve - EC50AC & EC40AC
3	152041	ECX1322A	Vent Valve (Threaded) with O-Ring
4	150804	ECX4000C	Clamp Assembly with Hardware (2 Bolts, 2 Nuts, 2 Spacers, 4 Washers)

PARTS

Hayward Perflex EC30, EC40 And EC40AC Extended-Cycle D.E. Filter Replacement Parts

Ref #	Imperial No.	Part Number	Description
5	150803	ECX4000CHK	Hardware Kit for Clamp Assembly (2 Bolts, 1 Nut, 1 Spacer, 2 Washers)
6a	150265	ECX1037A	Bump Handle Grip - EC30
6b	150290	ECX1040	Bump Handle Assembly (Includes Pin, Shoulder Screw, Nut)
7a	150266	ECX1037B	Bump Handle Grip
8	HAYECX4236A	ECX4236A	Bump Screw Kit
8a	152129	ECX100Z9	Roll Pin
9a	150269	ECX1009	Bump Shaft, 1/2" - EC50A, EC30 & EC40
9b	HAYECX5000F	ECX5000F	Bump Shaft, 1/2" - EC50AC & EC40AC
10	HAYECX10271A	ECX10271A	Filter Head Screw Set - EC50A, EC30 & EC40
11a	150275	ECX1038	Tube Sheet (Bottom) - EC30 (top) - ECX1038A
11b	HAYECX1004A	ECX1004A	Tube Sheet (Top)
11c	150299	ECX1004	Tube Sheet (Bottom)
12a	150276	ECX1039	Diaphragm Gasket - EC30
12b	150300	ECX1003	Diaphragm Gasket - EC50A & EC40
12c	152316	ECX5000G	Diaphragm Gasket - EC50AC & EC40AC
13	HAYECX1014A	ECX1014A	Shaft Kit (Includes # 12, 13 & 14)
14	-	ECX1031PAK5	Flex Tube 13 3/8 Inches Long (Set of 5) - 54 for EC30, 72 for EC40
15	HAYSPX1500NYA	SPX1500NYA	Tube Sheet Bolt Set (Includes # 10 & 18)
16	HAYECX270861	ECX270861	Pressure Gauge
17	141095	SP1022C	SP1022C - 1 1/2" MIP All-Purpose Plug with O-Ring
-	141180	SPO723	1 1/2" MIP x Trimline Ball Valve, 2-Way 1 1/2" FIP
18	150281	ECX1256	Flow Diffuser with Check Valve
19	150282	ECX4077B1	Check Valve
20	150284	ECX1055	Flow Controller
21a	-	ECX1132P	Filter Body with Flow Diffuser - EC30
21b	150293P	ECX10344P	Filter Body with Flow Diffuser - EC40
21c	-	ECX4034	Filter Body with Flow Diffuser - EC40AC
-	-	ECX1133	Flex Tube Nest (Includes 9, 11-15) - EC30
-	150305	ECX1035	Flex Tube Nest (Includes 9, 11, 15) - EC40
-	-	ECX4035	Flex Tube Nest (Includes 9, 11-15) - EC40AC

EC301500 Series Systems

Ref #	Imperial No.	Part Number	Description
22	150125	SPX1250WA	6 ft. Cord Set
23	150126	ECX1108A	5/16" x 3/4" Mounting Screws (2) and 5/16" Washers (2) Kit (Includes # 12 & 13)
24	150289	EC1161PAK	Platform Base
25	141230	SP1480BLK	Self Aligning Union, Black

Series EC40F Kit

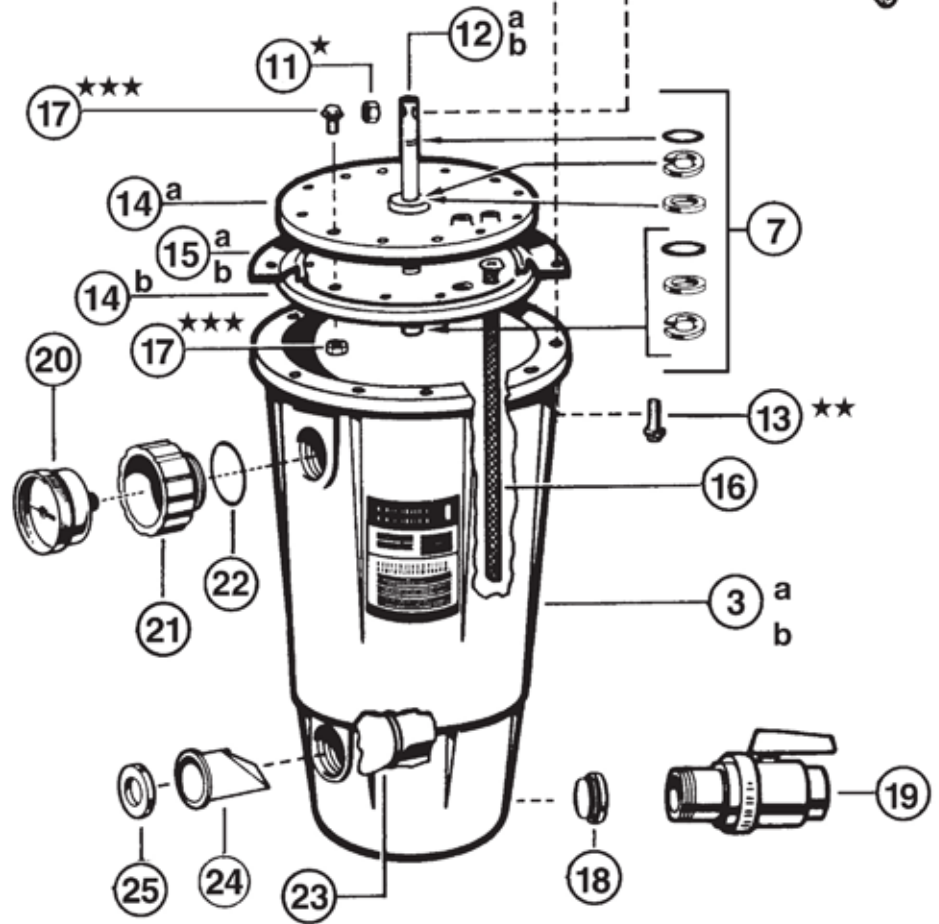
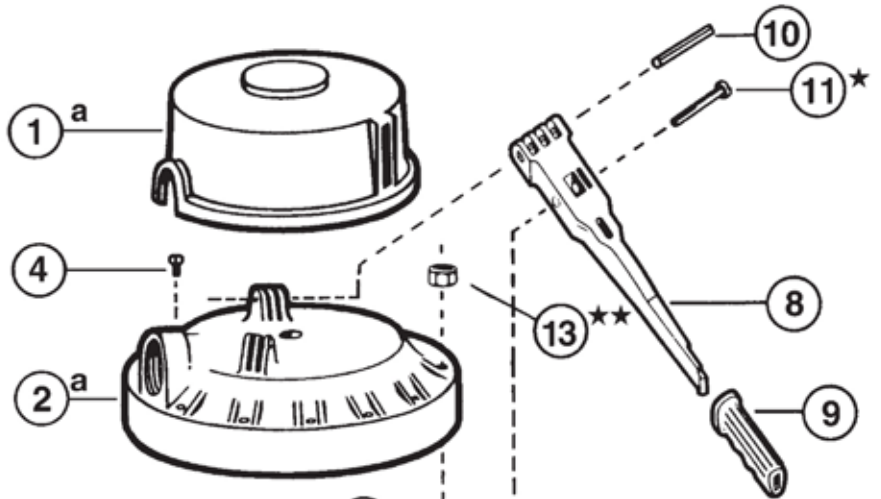
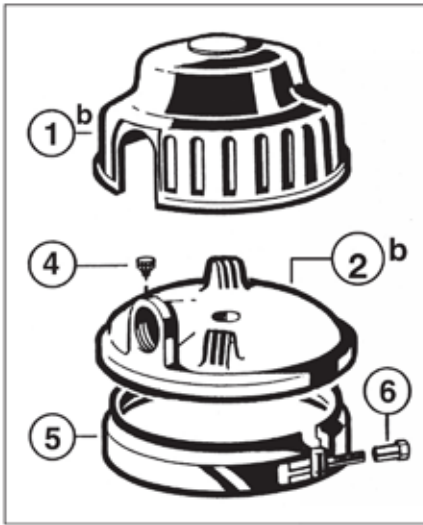
Ref #	Imperial No.	Part Number	Description
26	150307	SPX1105Z4	1 1/2" Elbow Hose Adapter
27	-	ECX27071	1 9/16 Inches I.D. Clear Hose
28	HAYECX18028	ECX18028	Hose Clamp
29	-	ECX10992	Pump Mounting Base

Series EC4075 and EC4075UL Filters

Ref #	Imperial No.	Part Number	Description
30	150126	ECX1108A	5/16" x 3/4" Mounting Screws (2) and 5/16" Washers (2) Kit (Includes # 12 & 13)
31	150289	EC1161PAK	Platform Base
32	141230	SP1480BLK	Self Aligning Union, Black
33	-	ECX1121	Rainshield Cover Assembly
34	150349	SPX1411Z3	Pan Head Hilo Screw
35	150454	ECX1325	Switch Assembly
-	150125	SPX1250WA	6 ft. Cord Set

PARTS

Hayward Perflex EC50A And EC50AC Extended-Cycle D.E. Filter Replacement Parts



- ★ Bump Handle Screw Kit
- ★★ Filter Head Screw Kit
- ★★★ Tube Sheet Hex Screw Set

PARTS

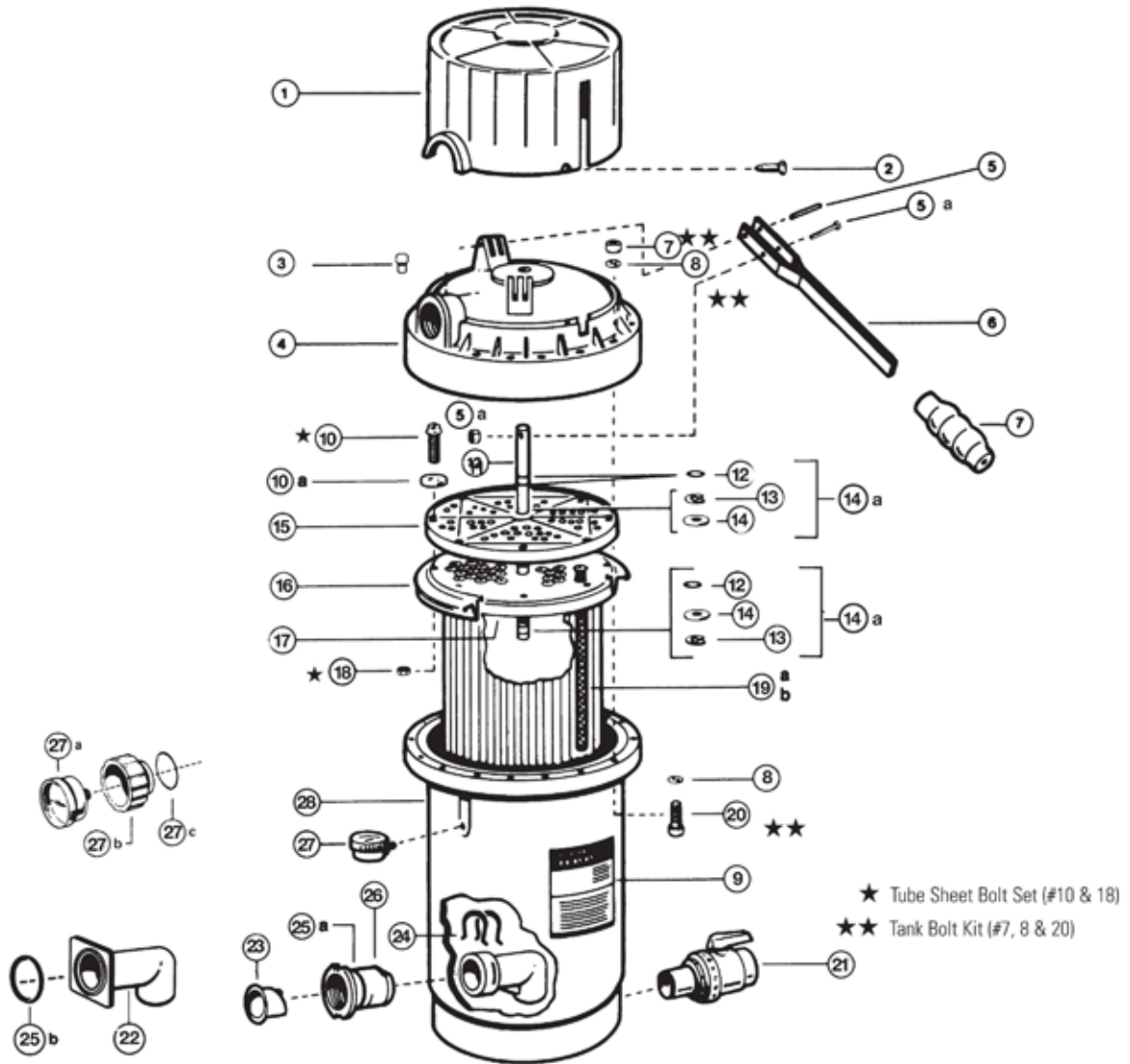
Hayward Perflex EC50A And EC50AC Extended-Cycle D.E. Filter Replacement Parts

Ref #	Imperial No.	Part Number	Description
1a	150291	ECX11156	Bump Mechanism Cover - EC50A
1b	152317	ECX5000D	Bump Mechanism Cover - EC50AC
2a	150292P	ECX10334P	Filter Head with Vent Valve - EC50A & EC40
2b	152319	ECX5000BP	Filter Head with Vent Valve - EC50AC & EC40AC
3a	150294	ECX11344P	Filter Body with Flow Diffuser - EC50A
3b	-	ECX5000AP	Filter Body with Flow Diffuser - EC50AC
4	152041	ECX1322A	Vent Valve (Threaded) with O-Ring
5	152318	ECX5000C	Clamp Assembly with Springs - EC50AC
6	HAYECX360JN	ECX360JN	Nickel Plated Sleeve Nut, 5/16" - EC50AC
7	HAYECX1014A	ECX1014A	Shaft Kit (Includes # 12, 13 & 14)
8	150290	ECX1040	Bump Handle Assembly (Includes Pin, Shoulder Screw, Nut)
9	150266	ECX1037B	Bump Handle Grip
10	152129	ECX100Z9	Roll Pin
11	HAYECX4236A	ECX4236A	Bump Screw Kit
12a	150269	ECX1009	Bump Shaft, 1/2" - EC50A, EC30 & EC40
12b	HAYECX5000F	ECX5000F	Bump Shaft, 1/2" - EC50AC & EC40AC
13	HAYECX10271A	ECX10271A	Filter Head Screw Set - EC50A, EC30 & EC40
14a	HAYECX1004A	ECX1004A	Tube Sheet (Top)
14b	150299	ECX1004	Tube Sheet (Bottom)
15a	150300	ECX1003	Diaphragm Gasket - EC50A & EC40
15b	152316	ECX5000G	Diaphragm Gasket - EC50AC & EC40AC
16	-	ECX1032PAK10	Flex Tube 16 1/4 Inches Long (Set of 10)
17	HAYSPX1500NYA	SPX1500NYA	Tube Sheet Bolt Set (Includes # 10 & 18)
18	156076	SP1022CBLK	Drain Plug with Gasket, Threaded 1 1/2", Black
19	141180	SP0723	1 1/2" MIP x Trimline Ball Valve, 2-Way 1 1/2" FIP
20	HAYECX27091	ECX27091	Pressure Gauge, Back Mount
21	150302	ECX12866	Gauge/Port Adapter
22	150303	ECX1287	Adapter O-Ring
23	150281	ECX1256	Flow Diffuser with Check Valve
24	150282	ECX4077B1	Check Valve
25	150284	ECX1055	Flow Controller
-	150306	ECX1036	Flex-Tube Nest (EC50A)
-	-	ECX1037*	Flex-Tube Nest (EC50AC)

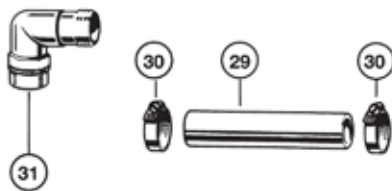
NOTE: *Includes bump shaft, shaft kit, top and bottom tube sheet, diaphragm gasket and 12 tube sheet screw sets.

PARTS

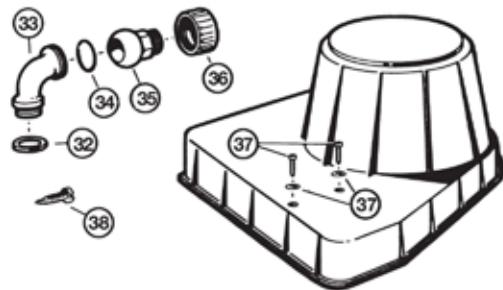
Hayward Perflex EC65, EC65A, EC75 And EC75A Extended-Cycle D.E. Filter Replacement Parts



SERIES EC65 - STANDARD



SERIES EC65 SYSTEM III



SEE SUPPLEMENTARY

PARTS

Hayward Perflex EC65, EC65A, EC75 And EC75A Extended-Cycle D.E. Filter Replacement Parts

Ref #	Imperial No.	Part Number	Description
1	-	ECX11206	Bump Mechanism Cover
2	150318	ECX1019	Retainer Screw
3	152041	ECX1322A	Vent Valve (Threaded) with O-Ring
4	150319	ECX11194AT	Filter Head with New Vent Valve
5	152129	ECX100Z9	Roll Pin
5a	HAYECX4236A	ECX4236A	Bump Screw Kit
6	150290	ECX1040	Bump Handle Assembly (Includes Pin, Shoulder Screw, Nut)
-	150266	ECX1037B	Bump Handle Grip
8	150274	ECX1077	Flat Washer - 1/4" x 1 1/16" O.D.
9	-	ECX1230	Decal - Operation
10	150278	SPX1500N1	Tube Sheet Screw
10a	150279	ECX1641125	Flat Washer (1989 and Prior)
11	150320	ECX1110	Bump Shaft
12	-	ECX9611246PAK3	Shaft O-Ring Kit (Set of 3)
13	-	ECX1014PAK2	Retainer Clip (Set of 2)
14	150264	ECX1011	Thrust Washer
14a	HAYECX1014A	ECX1014A	Shaft Kit (Includes # 12, 13 & 14)
15	150321	ECX1104	Tube Sheet (Top)
16	150322	ECX1105	Diaphragm Gasket
17	150323	ECX1103	Tube Sheet (Bottom)
18	150280	SPX1500Y1	Tube Sheet Nut
19a	-	ECX1031PAK5	EC65 Flex Tube 13 3/8 Inches Long (Set of 5)
19b	-	ECX1032PAK10	EC75 Flex Tube 16 1/4 Inches Long (Set of 10)
20	150324	ECX1642215	1/4" - 20 x 1 3/4" Hex. Head Bolt
21	141180	SP0723	1 1/2" MIP x Trimline Ball Valve, 2-Way 1 1/2" FIP
22	152001	ECX4220A	Elbow Assembly with Check Valve
23	150282	ECX4077B1	Check Valve
24	150326	ECX4212A	Retainer Clip (1989 and Prior)
25a	150327	SPX1425Z6	O-Ring
25b	150026	SPX1500W	Strainer O-Ring
26	150328	ECX4201CA	Inlet Fitting with ECX4077B1 Check Valve
27	HAYECX2712B1	ECX2712B1	Pressure Gauge
27a	HAYECX27091	ECX27091	Pressure Gauge, Back Mount
27b	150302	ECX12866	Gauge/Port Adapter
27c	150303	ECX1287	Adapter O-Ring
28	150329	ECX11184AT	Filter Body with new Elbow Assembly
•	HAYSPX1500NYA	SPX1500NYA	Tube Sheet Bolt Set (Includes # 10 & 18)
••	HAYECX1642A	ECX1642A	Head Bolt Kit (Includes Hex Nut, Head Bolt and Washer)
7	HAYECX1642A	ECX1642A	Head Bolt Kit (Includes Hex Nut, Head Bolt and Washer)
-	-	ECX1251	Flex-Tube Nest (EC65) - Includes Items 10 thru 19
-	-	ECX125175	Flex-Tube Nest (EC75) - Includes Items 10 thru 19

Series EC65 - Standard

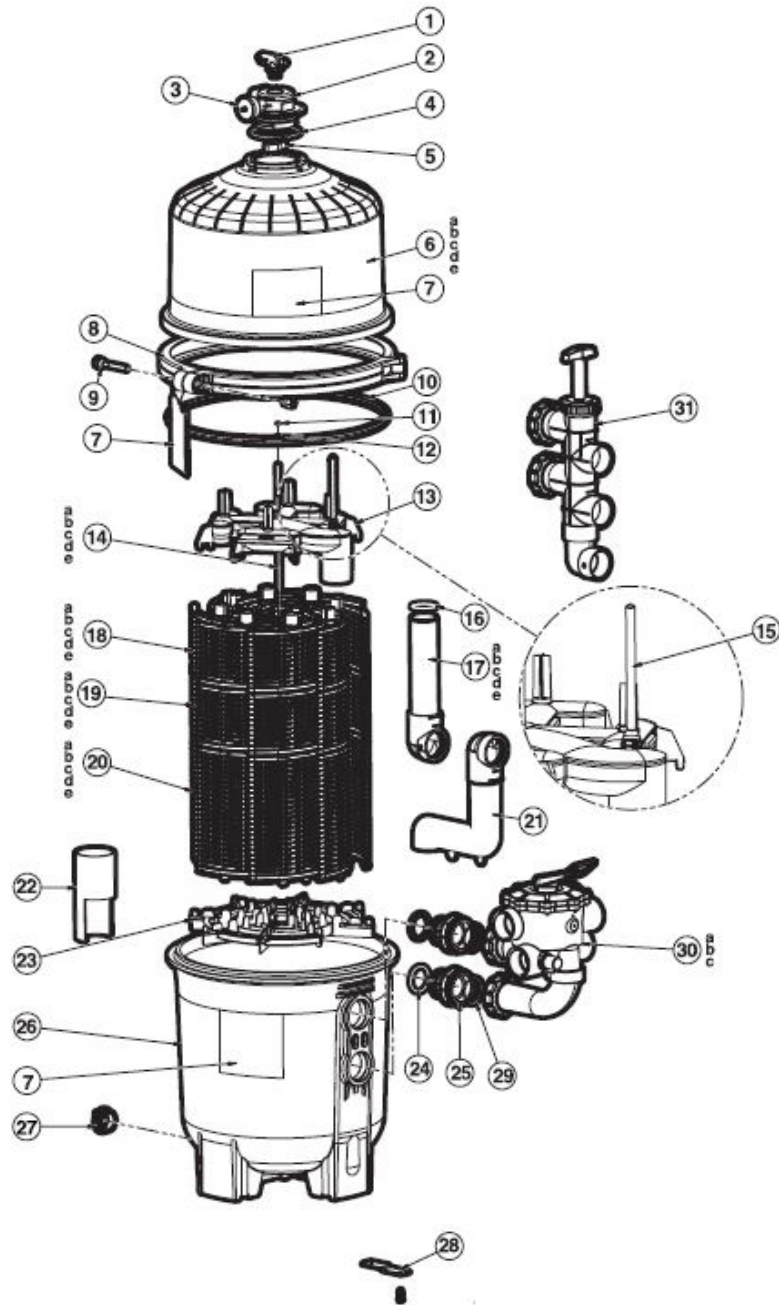
Ref #	Imperial No.	Part Number	Description
29	-	ECX27071	1 9/16 Inches I.D. Clear Hose
30	HAYECX18028	ECX18028	Hose Clamp
31	150307	SPX1105Z4	1 1/2" Elbow Hose Adapter

Series EC65 System III

Ref #	Imperial No.	Part Number	Description
32	150334	SPX1485C	Gasket - Old Style Elbow (1986 & Prior)
33	150333	SPX1485B	Pump Discharge Elbow
34	150327	SPX1425Z6	O-Ring
35	150337	SPX1485A	Union Ball End
36	150335	SPX1480C	Union Nut
37	150127	ECX1161Z2	Mounting Screw Set with Washers
38	150040	SPX1600Z52	Mounting Foot Cap Screw (Set of 2 - 1995 & Prior, 2 sets required)

PARTS

Hayward ProGrid Vertical D.E. Filter Series Replacement Parts



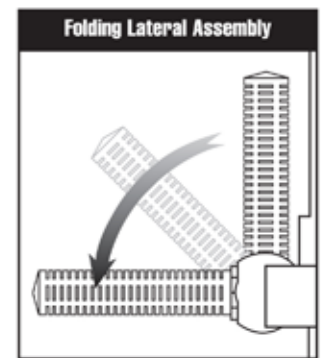
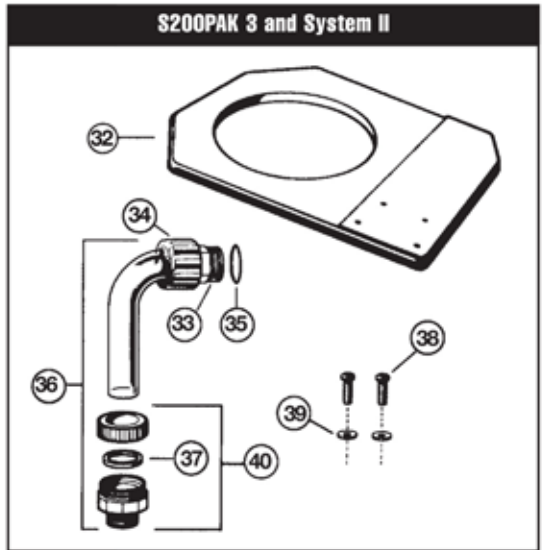
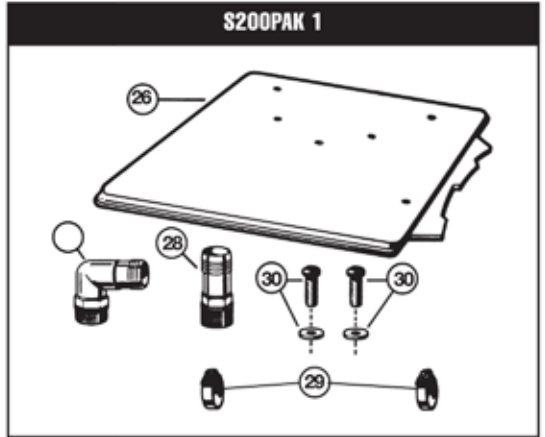
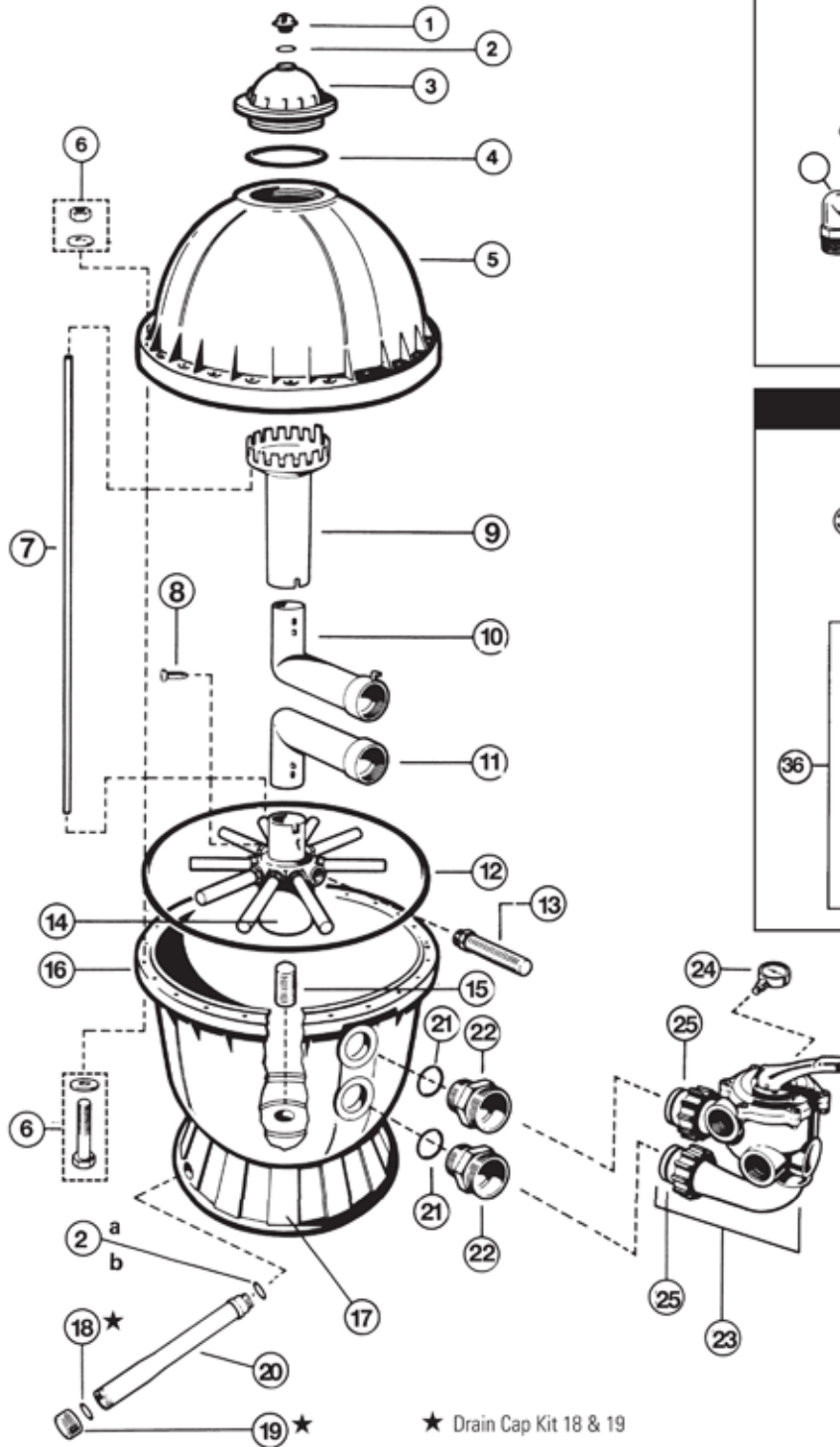
NOTES: *Compatible only with DEX2421JKIT clamp system for Hayward ProGrid D.E. and SwimClear cartridge filters.
**Assembly set of filter elements, manifold flex air relief, retainer rod and element locator.

PARTS

Ref #	Imperial No.	Part Number	Description
1	156034	CCX1000V	Manual Air Relief Valve with O-Ring
2	150814	DEX2420MAR2	Manual Air Relief Assembly
3	HAYECX2712B1	ECX2712B1	Pressure Gauge
4	150193	DEX2420Z8A	O-Ring Kit (Set of 2)
5	156033	CCX1000N	Manual Air Relief Valve Nut
6a	-	DEX2420BTC	Filter Head (DE2420)
6b	-	DEX3620BTC	Filter Head with Clamp (DE3620)
6c	-	DEX4820BTC	Filter Head with Clamp (DE4820)
6d	-	DEX6020BTC	Filter Head with Clamp (DE6020)
6e	-	DEX7220BTC	Filter Head (DE7220)
7	-	DEX2420LA6PAK	Label Pack (Includes all Warning and Operation Labels, Hand Tag (#10), Wire Tie and Owners Manual)
8	150297	DEX2421JKIT	Clamp System including: Clamp, Clamp Nut and Bolt, Warning Hand Tag, Metal Reinforced Seal and Labels
9	HAYDEX2421J2	DEX2421J2	Clamp Bolt and Nut
10	HAYDEX2422Z2	DEX2422Z2	Metal Reinforced Seal
11	150375	ECX176865	Retainer Nut, 5/16" - 8
12	150288	ECX1109	5/16" Washer
13	150384	DEX2400C	Top Collector Manifold with Flex Air Relief Assembly
14a	150376	DEX2400R	Retainer Rod (DE2420)
14b	150377	DEX3600R	Retainer Rod (DE3620)
14c	150378	DEX4800R	Retainer Rod (DE4820)
14d	-	DEX6000R	Retainer Rod (DE6020)
14e	150420	DEX7200R	Retainer Rod (DE7220)
15	150409	DEX2400CR	Flex Air Relief Assembly
16	150385	DEX2400Z5	Outlet Elbow O-Ring
17a	150205	DEX2420EA	Outlet Elbow Assembly with O-Ring (DE2420)
17b	150850	DEX3620EA	Outlet Elbow Assembly with O-Ring (DE3620)
17c	150841	DEX4820EA	Outlet Elbow Assembly with O-Ring (DE4820)
17d	-	DEX6020EA	Outlet Elbow Assembly with O-Ring (DE6020)
17e	-	DEX7220EA	Outlet Elbow Assembly with O-Ring (DE7220)
18b	150406	DEX3600DC	Filter Element Cluster Assembly - Complete as above
18c	150407	DEX4800DC	Filter Element Cluster Assembly - Complete as above
18d	150408	DEX6000DC	Filter Element Cluster Assembly - Complete as above
18e	150204	DEX7200DC	Filter Element Cluster Assembly - Complete as above
19a	-	DEX2400DA	Filter Element (DE2420)
19b	-	DEX3600DA	Filter Element (DE3620)
19c	HAYDEX4800DA	DEX4800DA	Filter Element (DE4820)
19d	-	DEX6000DA	Filter Element (DE6020)
19e	HAYDEX7200DA	DEX7200DA	Filter Element (DE7220)
20a	-	DEX2400DS	Filter Element - Short (DE2420)
20b	153398	DEX3600DS	Filter Element - Short (DE3620)
20c	-	DEX4800DS	Filter Element - Short (DE4820)
20d	-	DEX6000DS	Filter Element - Short (DE6020)
20e	-	DEX7200DS	Filter Element - Short (DE7220)
21	150846	DEX2420GA	Inlet Elbow
22	-	DEX2420T	Element Spacer (DE2420 ONLY)
23	150398	DEX2400H	Filter Element Locator
24	150176	SX220Z2	Bulkhead O-Ring (2 Required)
25	HAYDEX2420F	DEX2420F	Bulkhead Fitting (2 Required)
26	-	DEX2420ATC	Filter Body with Clamp
27	156076	SP1022CBLK	Drain Plug with Gasket, Threaded 1 1/2", Black
28	-	DEX2420DCKIT	Strap Kit: 2 Straps, 2 Screws (Optional)
29	150402	SX200Z4PAK2	Valve/Union O-Ring (Set of 2)
30a	149889	SP0740DE	Selecta-Flo Valve Assembly - 2" SKT
30b	141250	SP0710XR50	Vari-Flo Valve Assembly - 1 1/2" NPT
30c	141251	SP0715XR50	Vari-Flo Valve Assembly - 2" NPT
31	-	SP0410X5025	Slide Valve Assembly - 2 Inches SKT

PARTS

Hayward S200 Sand Filter Series Replacement Parts



PARTS

Hayward S200 Sand Filter Series Replacement Parts

Ref #	Imperial No.	Part Number	Description
1	150455	SX200G	Manual Air Relief
2	150370	SX200Z5	O-Ring
3	150456	SX200K	Access Cover
4	150436	SX200Z6	O-Ring
5	150457	SX200BT	Filter Head (Taupe)
6	HAYECX1642A	ECX1642A	Head Bolt Kit (Includes Hex Nut, Head Bolt and Washer)
7	150461	SX200Z1	Plastic Air Tube
8	150463	SX200Z2	Air Tube Lock Screw
9	150464	SX200L	Top Diffuser
10	150465	SX200C	Internal Diffuser Elbow Pipe (Top)
11	150467	SX200C1	Internal Elbow Pipe (Bottom)
12	150468	SX200Z7	O-Ring
13	150625	SX200QNPAK10	Pivot/Ball Lateral (Set of 10)
14	152025	SX202QA	Folding Lateral Assembly (See Diagram A)
15	150442	SX200H	Bottom Drain Screen (2005 & Prior)
16	-	SX200AA1T	Filter Tank Bottom with Drain Assembly (Taupe)
17	150447	SX200J	Filter Support Stand (Skirt)
18	151699	SX200Z9	Gasket for Threaded Sight Glass
19	150452	SX200Z8A	Drain Cap Kit (Includes Cap and Gasket)
20	150446	SX200EB	Drain Pipe Assembly (Includes Pipe, O-Ring, Cap and Gasket)
21	150400	SX200Z3	O-Ring
22	150401	SX200D	Bulkhead Fitting
23	141253	SPX0710X32	1 1/2" Sidemount Multiport for S200 & S240 Sand Filters
24	HAYECX270861	ECX270861	Pressure Gauge
25	150402	SX200Z4PAK2	Valve/Union O-Ring (Set of 2)
-	150475	S200KT	Dome Wrench

S200PAK 1

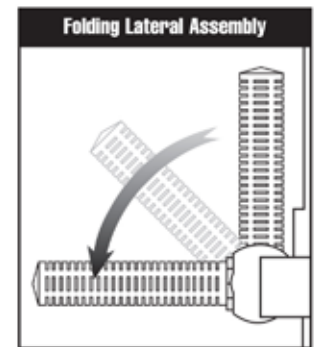
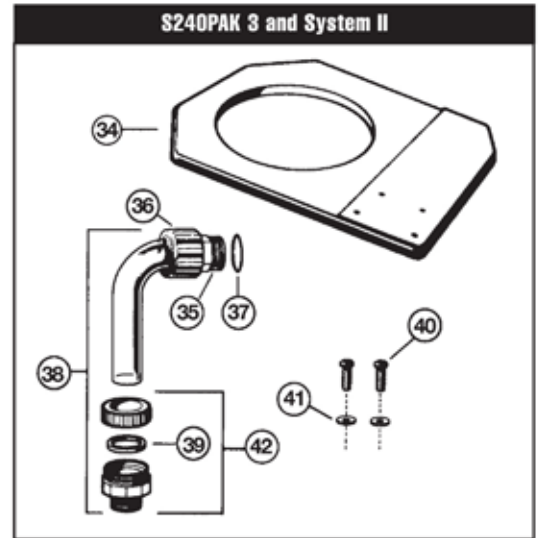
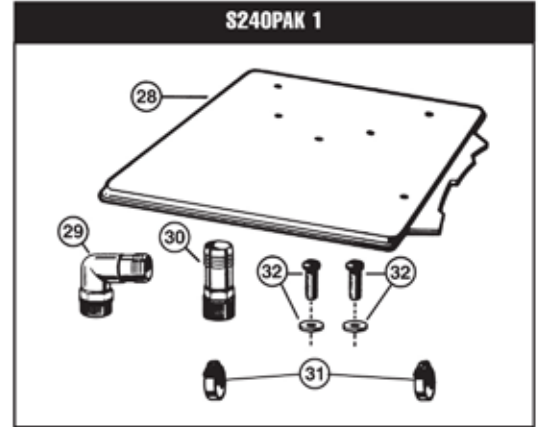
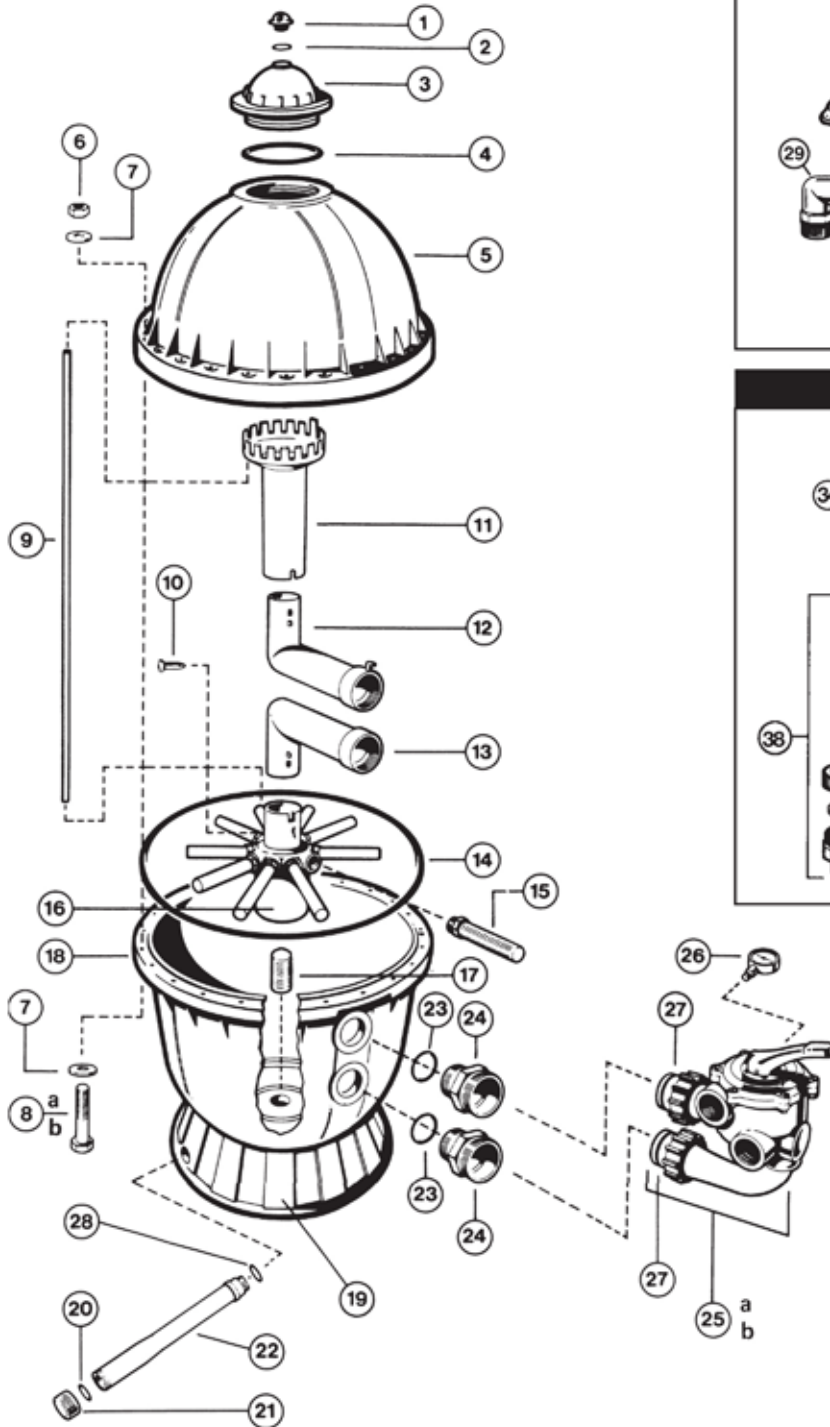
Ref #	Imperial No.	Part Number	Description
26	-	ECX1289	Standard Pump Mounting Base
27	150307	SPX1105Z4	1 1/2" Elbow Hose Adapter
28	151299	SPX1091Z2PAK2	1 1/2" Straight Hose Adapter (Set of 2)
29	HAYECX18028	ECX18028	Hose Clamp
30	150127	ECX1161Z2	Mounting Screw Set with Washers

S200PAK 2, 3 and System II

Ref #	Imperial No.	Part Number	Description
32	150410	ECX1291	Standard Pump/Filter Mounting Base
33	150411	SPX1480A	Union Ball End
34	150335	SPX1480C	Union Nut
35	150327	SPX1425Z6	O-Ring
36	150412	SPX1485B3	Union Elbow with Compression Assembly (does not include # 36 & 37)
37	150481	SPX1485G	Compression Gasket
38	150339	ECX1275	5/16 Inches x 1 1/4 Inches Mounting Screw
39	150288	ECX1109	5/16" Washer
40	152285	SPX1485DA	Compression Fitting Assembly with Gasket

PARTS

Hayward S240 Sand Filter Series Replacement Parts



PARTS

Hayward S240 Sand Filter Series Replacement Parts

Ref #	Imperial No.	Part Number	Description
1	150455	SX200G	Manual Air Relief
2	150370	SX200Z5	O-Ring
3	150456	SX200K	Access Cover
4	150436	SX200Z6	O-Ring
5	-	SX240B	Filter Tank Head (Top)
6	-	ECX1645	Hex Nut With Washer
7	150274	ECX1077	Flat Washer - 1/4" x 1 1/16" O.D.
8a	150459	SX240Z3	Hex. Head Bolt
8b	150460	SX240Z4	Hex. Head Bolt with Washer
9	150462	SX240Z2	Air Tube
10	150463	SX200Z2	Air Tube Lock Screw
11	150464	SX200L	Top Diffuser
12	150466	SX240C	Internal Diffuser Elbow Pipe (Top or Bottom)
13	150466	SX240C	Internal Diffuser Elbow Pipe (Top or Bottom)
14	150469	SX240Z1	O-Ring
15	-	SX240DNPAK10	S240 Pivot/Ball Lateral (Set of 10)
16	HAYSX242DA	SX242DA	Folding Lateral Assembly (See Diagram A)
17	150442	SX200H	Bottom Drain Screen (2005 & Prior)
18	-	SX240AA1	Filter Tank Bottom
19	150447	SX200J	Filter Support Stand (Skirt)
20	151699	SX200Z9	Gasket for Threaded Sight Glass
21	150452	SX200Z8A	Drain Cap Kit (Includes Cap and Gasket)
22	150446	SX200EB	Drain Pipe Assembly (Includes Pipe, O-Ring, Cap and Gasket)
23	150400	SX200Z3	O-Ring
24	150401	SX200D	Bulkhead Fitting
25a	141253	SPX0710X32	1 1/2" Sidemount Multiport for S200 & S240 Sand Filters
25b	141254	SPX0715X32	2" Sidemount Multiport for S200 & S240
26	HAYECX270861	ECX270861	Pressure Gauge
27	150402	SX200Z4PAK2	Valve/Union O-Ring (Set of 2)
28	150443	SX200Z14	O-Ring
-	150475	S200KT	Dome Wrench

S240PAK 1

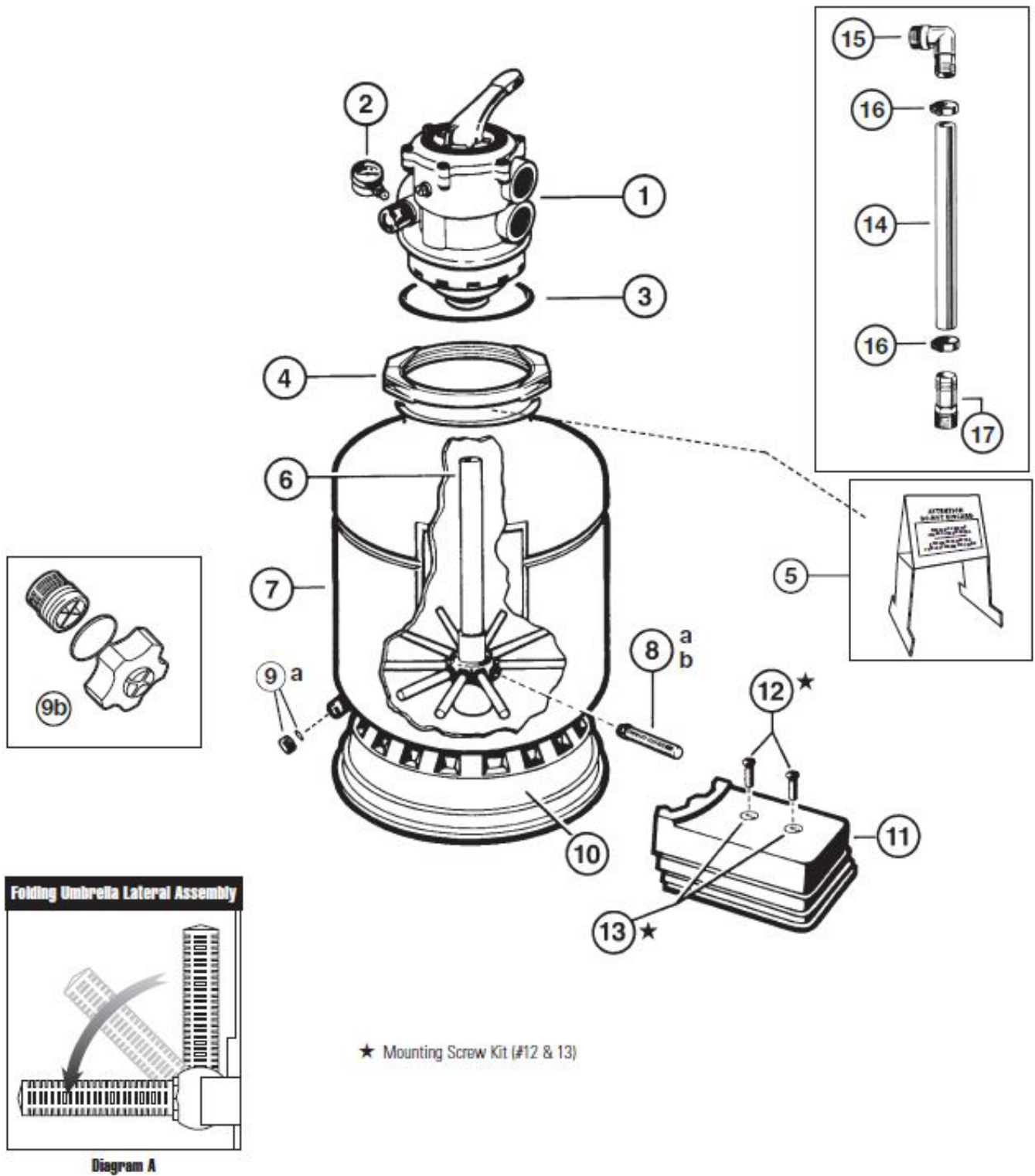
Ref #	Imperial No.	Part Number	Description
28	-	ECX1289	Standard Pump Mounting Base
29	150307	SPX1105Z4	1 1/2" Elbow Hose Adapter
30	151299	SPX1091Z2PAK2	1 1/2" Straight Hose Adapter (Set of 2)
31	HAYECX18028	ECX18028	Hose Clamp
32	150127	ECX1161Z2	Mounting Screw Set with Washers

S240PAK 2, 3 and System II

Ref #	Imperial No.	Part Number	Description
34	150410	ECX1291	Standard Pump/Filter Mounting Base
35	150411	SPX1480A	Union Ball End
36	150335	SPX1480C	Union Nut
37	150327	SPX1425Z6	O-Ring
38	150480	SPX1485B6	
39	150481	SPX1485G	Compression Gasket
-	150334	SPX1485C	Gasket - Old Style Elbow (1986 & Prior)
40	150339	ECX1275	5/16 Inches x 1 1/4 Inches Mounting Screw
41	150288	ECX1109	5/16" Washer
42	152285	SPX1485DA	Compression Fitting Assembly with Gasket

PARTS

Hayward ProSeries Filter Series Parts for Models: S164T And S166T



PARTS

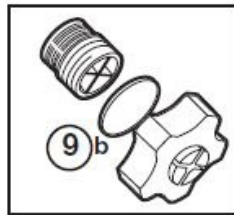
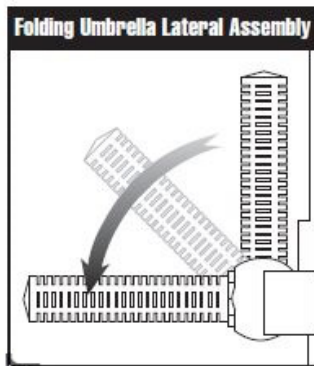
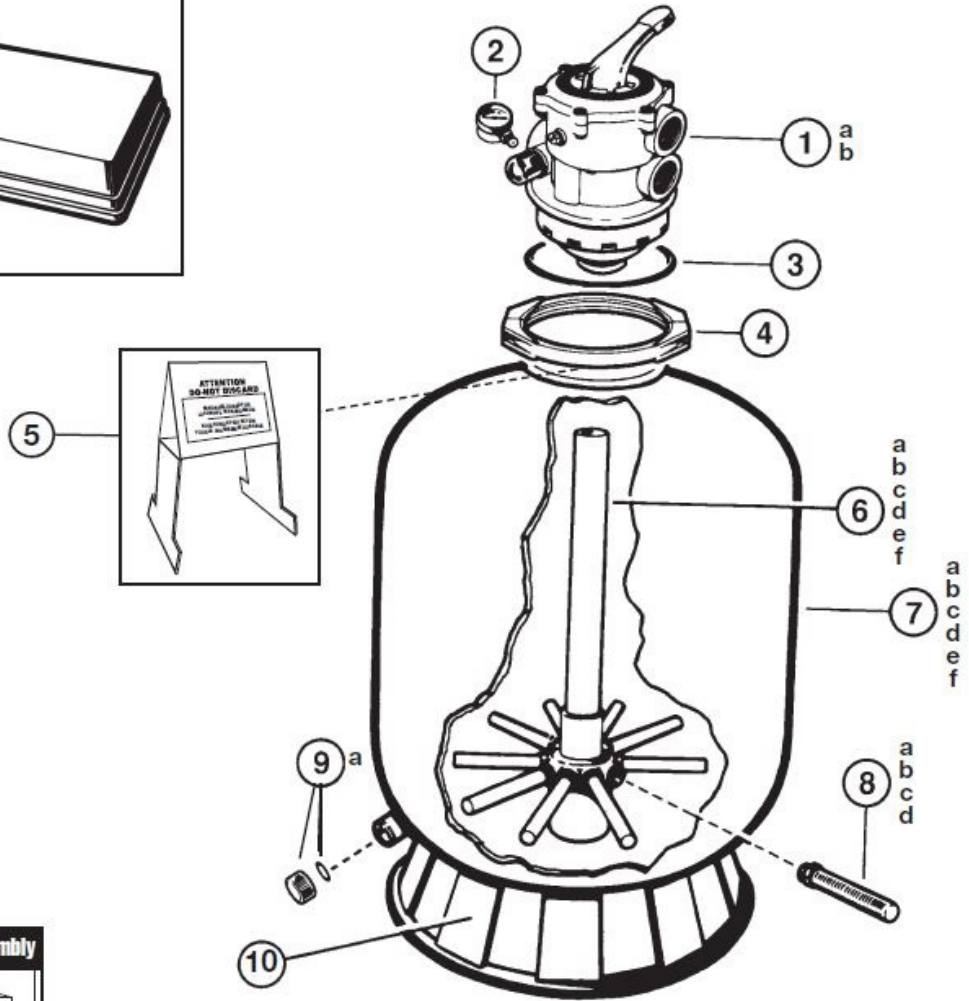
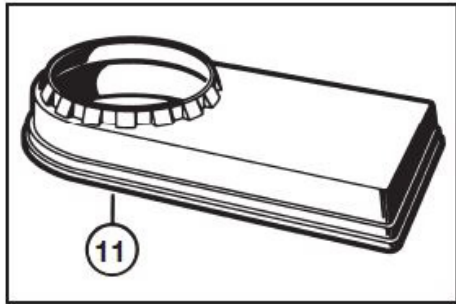
Hayward ProSeries Filter Series Parts for Models: S164T And S166T

Ref #	Imperial No.	Part Number	Description
1	141256	SP0714T	Vari-Flo XL Control Valve - 1 1/2" - 6 position - Top Mount for Pro Series
2	HAYECX270861	ECX270861	Pressure Gauge
3	150482	GMX600F	Valve/Tank O-Ring
4	150484	GMX600NM	Flange Clamp (Valve-Tank)
5	HAYSX202S	SX202S	Sand Shield - 2004 Corrugated Design
6	150488	SX164DA	Folding Lateral Assembly with Center Pipe (1997-)
7	150492	SX164AA1	Filter Tank with Skirt, Drain and Lateral Assembly
8a	150441	SX200QPAK10	Threaded Lateral (Set of 10)
8b	150625	SX200QNPAAK10	Pivot/Ball Lateral (Set of 10)
9a	150499	SX180HG	Drain Cap Kit - Cap and Gasket (2005 & Prior)
-	150442	SX200H	Bottom Drain Screen (2005 & Prior)
9b	156108	SX180LA	Drain Cap Assembly - Cap, Gasket, Screen
10	150496	SX164B	Filter Support Stand (Skirt)
11	150497	SX164C	Pump Base
-	HAYSX180K	SX180K	System Base - (S180T Systems & S166T Series 1999-)
12	-	ECX1108	5/16 Inches x 3/4 Inches Mounting Screw and 5/16 Inches Washer (2) Kit
13	150288	ECX1109	5/16" Washer
•	150126	ECX1108A	5/16" x 3/4" Mounting Screws (2) and 5/16" Washers (2) Kit (Includes # 12 & 13)
14	150498	SX160Z5	22" Long Hose
15	150307	SPX1105Z4	1 1/2" Elbow Hose Adapter
16	HAYECX18028	ECX18028	Hose Clamp
17	151299	SPX1091Z2PAK2	1 1/2" Straight Hose Adapter (Set of 2)

NOTE: *SP0714T Vari-Flo Control Valve used as replacement for SP0704 Valve.

PARTS

Hayward ProSeries Filter Series Parts for Models: S180T, S210T, S220T, S220T2, S230T, S244T, S244T2 And S270T



PARTS

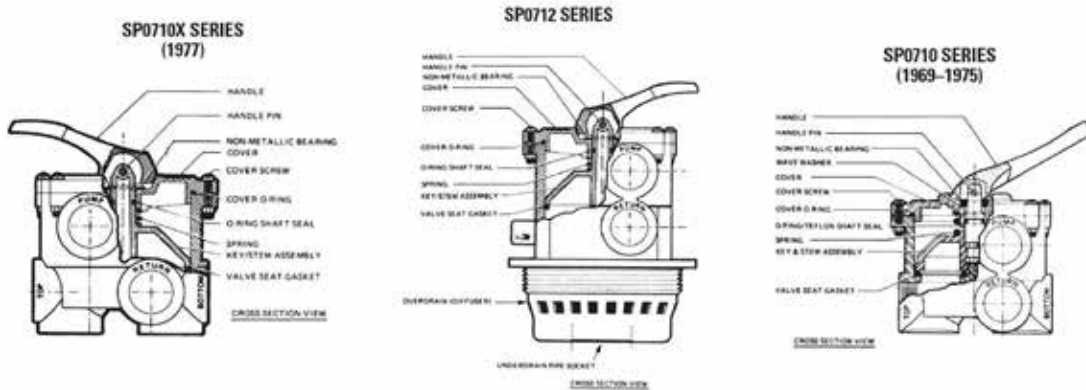
Hayward ProSeries Filter Series Parts for Models: S180T, S210T, S220T, S220T2, S230T, S244T, S244T2 And S270T

Ref #	Imperial No.	Part Number	Description
1a	141256	SP0714T	Vari-Flo XL Control Valve - 1 1/2" - 6 position - Top Mount for Pro Series
1b	HAYSP071620T	SP071620T	Vari-Flo XL Control Valve - 2"
2	HAYECX270861	ECX270861	Pressure Gauge
3	150482	GMX600F	Valve/Tank O-Ring
4	150484	GMX600NM	Flange Clamp (Valve-Tank)
5	HAYSX202S	SX202S	Sand Shield - 2004 Corrugated Design
6a	150485	SX180DA	Folding Later Assembly with Center Pipe (S180T) (1997-)
6b	152022	SX210DA	Folding Later Assembly with Center Pipe (S210T) (1997-)
6c	150486	SX220DA	Folding Lateral Assembly with Center Pipe (S220T) (1997-)
6d	HAYSX230DA	SX230DA	Folding Lateral Assembly with Center Pipe (S230T) (2003-)
6e	150487	SX244DA	Folding Lateral Assembly with Center Pipe (S244T, S270T) (1997-)
6f	-	SX270DA2X	Folding Lateral Assembly (S244T2)
7a	150489	SX180AA2	Filter Tank with Skirt, Drain, Lateral Assembly (S180T)
7b	152023	SX210AA1	Filter Tank with Skirt, Drain, Lateral Assembly (S210T)
7c	150490	SX220AA1	Filter Tank with Skirt, Drain, Lateral Assembly (S220T)
7d	-	SX230AA1	Filter Tank with Skirt, Drain (S230T)
7e	150491	SX244AA1	Filter Tank with Skirt, Drain, Lateral Assembly (S244T)
7f	-	SX270AA1	Filter Tank with Skirt, Lateral Assembly (S270T)
8a	150441	SX200QPAK10	Threaded Lateral (Set of 10)
8b	150471	SX240DPAK10	S210T, S220T, S230T, S244T Pivot/Ball Lateral (Set of 10)
8c	150625	SX200QNPAAK10	Pivot/Ball Lateral (Set of 10)
8d	-	SX240DNPAK10	S210T, S220T, S230T, S244T Pivot/Ball Lateral (Set of 10)
9a	150499	SX180HG	Drain Cap Kit - Cap and Gasket (2005 & Prior)
9b	156108	SX180LA	Drain Cap Assembly - Cap, Gasket, Screen
-	150442	SX200H	Bottom Drain Screen (2005 & Prior)
10	150447	SX200J	Filter Support Stand (Skirt)
11	HAYSX180K	SX180K	System Base - (S180T Systems & S166T Series 1999-)

PARTS

Hayward MultiPort Valves Replacement Parts

SP0710



Cat. Nos. SP0710, 0710X, 0711, 0712, 1 1/2" Vari-Flo Valves (1976-)

Imperial No.	Part Number	Description
151123	SPX0710XF	Handle
151124	SPX0710XZ7	Handle Pin
151125	SPX0710Z16	Non-Metallic Bearing (Pack of 5)
HAYSPX0710XZ5	SPX0710XZ5	Housing O-Ring
151128	SPX0735GA	O-Ring/Teflon Shaft Seal
151129	SPX0710G	Valve Position Label
151130	SPX0710Z1A	Cover Screw with Nut (Set of 6 each)
151131	SPX0603S	Spring
151132	SPX0710Z62	Spring Washers (Set of 2)
150027	SPX0710K	1/4" Plastic Pipe Plug
151133	SPX0710XD	Valve Seat Gasket, 5 Spoke - for "X" Valve Body
151134	SPX0710XC	Key/Stem Assembly
151135	SPX0710XBA	Key, Cover and Handle Assembly, White - Replaces SPX0710B (cover) and SPX0710C
151136	SPX0710XBA17	Key, Cover and Handle Assembly, Black
150500	SPX0710MA	Threaded Sight Glass with Gasket
151699	SX200Z9	Gasket for Threaded Sight Glass
151139	SPX0710XALLAA	Valve Body with Gasket and Sight Glass - Style "ALL"
-	SPX0710XA3A	Valve Body with Gasket and Sight Glass - Style 3
-	SPX0710X32AA	Valve Body with Gasket and Sight Glass - with Filter Tank Pipes and Locknuts - for S200, S240 ONLY
-	SPX0710XR50AA	Valve Body and Sight Glass - with Filter Tank Pipes and Locknuts. Reverse style - for DE Series ONLY
HAYSPX0710X62AA	SPX0710X62AA	Valve Body with Gasket and Sight Glass - with Filter Tank Pipes and Locknuts - for Pro Series (Side Mount) ONLY
HAYSPX0712AA	SPX0712AA	Top Mount Threaded Valve Body with Gasket, Sight Glass and Diffuser (for Hayward Filters)
-	SPX07122AA	Top Mounted Threaded Valve Body with Gasket, Sight Glass and Diffuser (for Pac-Fab; 6Inches UNC)
151140	SPX0710Z9	3M Adhesive, 5 oz. tube for Valve Seat Gasket

PARTS

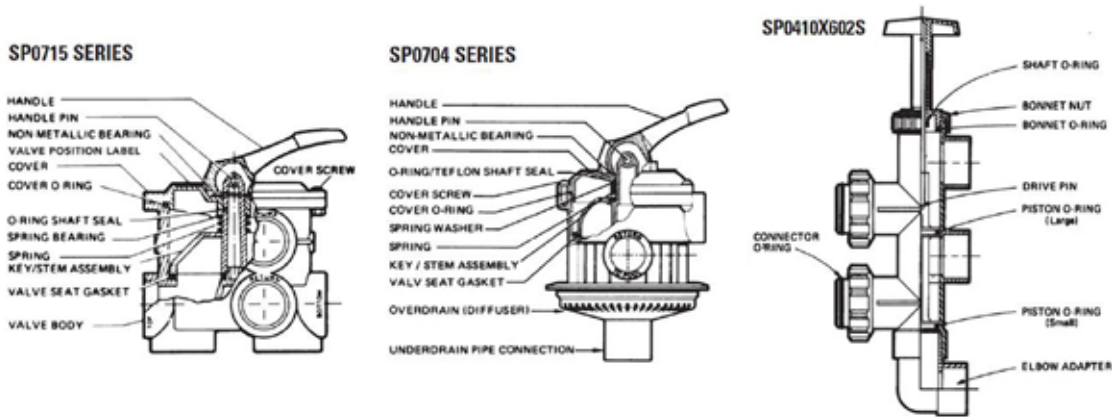
Hayward MultiPort Valves Replacement Parts

Cat. Nos. SP0710, 0710X, 0711, 0712, 1 1/2" Vari-Flo Valves (1976-)

NOTE: Parts Below are for SP0710 and 0711 Series (1969-1975). These parts are NOT interchangeable with current production models.

Imperial No.	Part Number	Description
151142	SPX0710Z7	Handle Pin
150021	SPX0710Z3	Cover O-Ring
-	SPX0603Z2A	O-Ring/Teflon Shaft Seal
151146	SPX0710D	Valve Seat Gasket, 6 Spoke
151135	SPX0710XBA	Key, Cover and Handle Assembly, White - Replaces SPX0710B (cover) and SPX0710C

SP0715



Cat. Nos. SP0715, 0716, 2" Vari-Flo Valves

Imperial No.	Part Number	Description
HAYSPX0710FL	SPX0710FL	Handle, Large
151147	SPX0715F	Handle, Standard
151124	SPX0710XZ7	Handle Pin
151125	SPX0710Z16	Non-Metallic Bearing (Pack of 5)
-	SPX0715G	Valve Position Label
151130	SPX0710Z1A	Cover Screw with Nut (Set of 6 each)
151148	SPX0715Z1	Cover O-Ring
151131	SPX0603S	Spring
151132	SPX0710Z62	Spring Washers (Set of 2)
151128	SPX0735GA	O-Ring/Teflon Shaft Seal
150027	SPX0710K	1/4" Plastic Pipe Plug
151151	SPX0715D	Valve Seat Gasket
-	SPX0715C	Key/Stem Assembly - Noryl
151153	SPX0715BA	Key, Cover and Handle Assembly, White
HAYSPX0715BA3	SPX0715BA3	Key, Cover and Handle Assembly, Black
-	SPX0715ALLAA	Valve Body with Gasket and Sight Glass - Style ALL
-	SPX0715XR50AA	Valve Body with Gasket and Sight Glass - with Filter Tank Pipes and Locknuts - Reverse Style - for DE ONLY
150500	SPX0710MA	Threaded Sigh Glass with Gasket
151699	SX200Z9	Gasket for Threaded Sight Glass

PARTS

Hayward MultiPort Valves Replacement Parts

Cat. Nos. SP0704, 1 1/2" Vari-Flo Valve - 4 Position

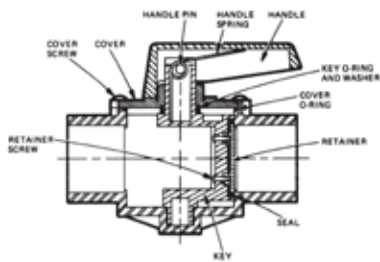
Imperial No.	Part Number	Description
151123	SPX0710XF	Handle
151124	SPX0710XZ7	Handle Pin
151125	SPX0710Z16	Non-Metallic Bearing (Pack of 5)
151115	SPX0704B2	Cover, Black
151116	SPX0704F	Cover O-Ring
151117	SPX0704HA	O-Ring/Teflon Shaft Seal
151118	SPX0704Z1A	Cover Screw (Set of 6)
151131	SPX0603S	Spring
151132	SPX0710Z62	Spring Washers (Set of 2)
151119	SPX0704D	Valve Key Gasket
151120	SPX0704CA	Key and Gasket Assembly
151121	SPX0704BA	Key, Cover, Gasket and Handle Assembly
-	SPX0704AA	Valve Body with Diffuser

Cat. Nos. SP0410X Series Slide Valve

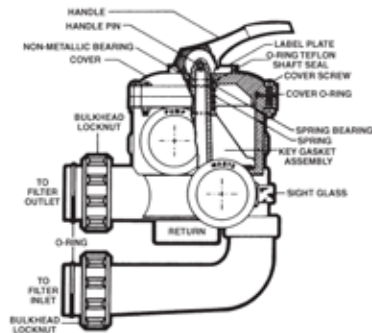
Imperial No.	Part Number	Description
HAYSPX410BA	SPX0410BA	Handle and Piston Assembly
-	SPX0410BK	Piston only with Pin
-	SPX0722D2	Bonnet Nut, Black
151069	SPX0722GH	Bonnet O-Ring Kit
-	ECX9611246	Shaft O-Ring
HAYSP410Z2	SPX0410Z2	Piston O-Ring, Large
-	SPX0410K	Drive Pin
HAYSP410Z1	SPX0410Z1	Piston O-Ring, Small
150402	SX200Z4PAK2	Valve/Union O-Ring (Set of 2)

SP0733

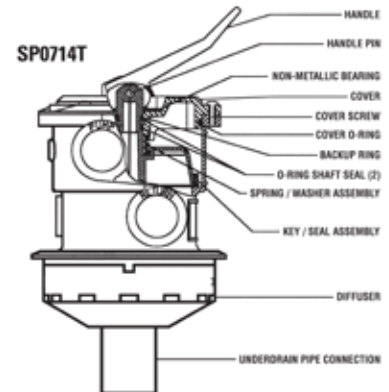
SP0733S



SP0740DE



SP0714T



NOTE: *Two required for each valve.

PARTS

Hayward MultiPort Valves Replacement Parts

Cat. No. SP0733 Series Dial-A-Flo Valves

Imperial No.	Part Number	Description
151233	SPX0733D	Handle
151234	SPX0733H	Handle Pin
151235	SPX0733J	Handle Spring
151236	SPX0733B	Cover with Label
151237	SPX0733Z3A	Cover Screw (Set of 8)
151238	SPX0733Z2A	Cover O-Ring with Washer and Spacer
151239	SPX0733Z1A	Key O-Ring with Washer and Spacer
151240	SPX0733E	Seal
150318	ECX1019	Retainer Screw
151241	SPX0733CA	Key and Seal Assembly with O-Ring
151242	SPX0733BA	Key, Seal, Cover and Handle Assembly

Cat. No. SP0727 Perflex Diverter Valve (Not Illustrated)

Imperial No.	Part Number	Description
-	SPX0727D	Handle
151234	SPX0733H	Handle Pin
-	SPX0727J	Handle Spring
-	SPX0727K	O-Ring, Cover
151237	SPX0733Z3A	Cover Screw (Set of 8)
HAYSP727H	SPX0727H	Seal
-	SPX0733Z1	O-Ring (Key)
HAYSP1483C	SPX1483C	O-Ring (Union)
HAYSP727E	SPX0727E	Union Nut

Cat. No. SP0740DE 2" Selecta-Flo Valve

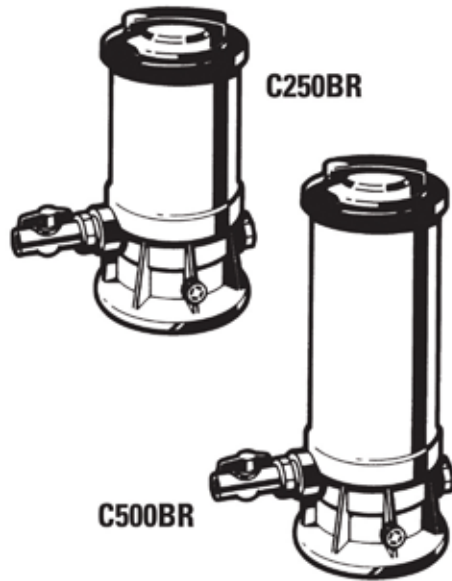
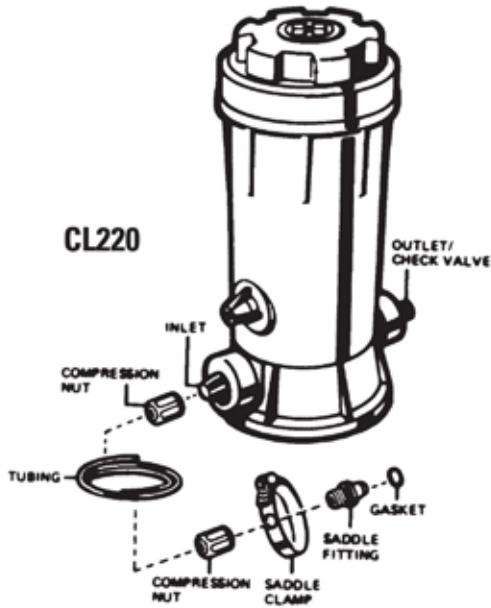
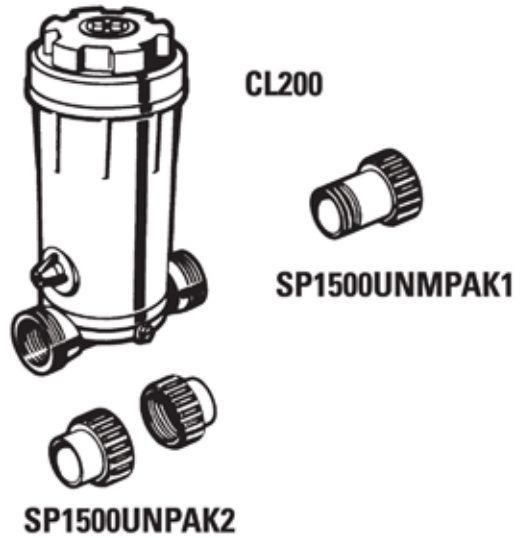
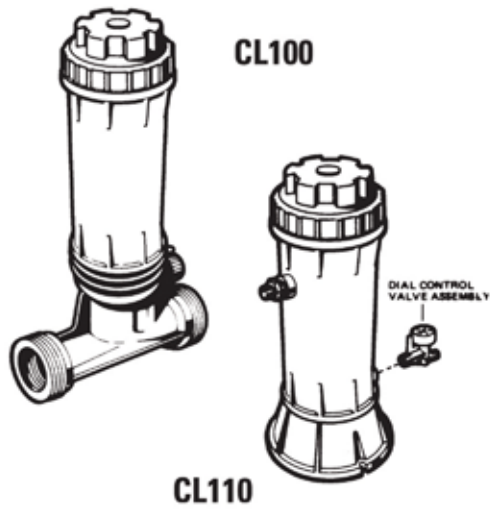
Imperial No.	Part Number	Description
HAYSPX0710FL	SPX0710FL	Handle, Large
151124	SPX0710XZ7	Handle Pin
151125	SPX0710Z16	Non-Metallic Bearing (Pack of 5)
-	SPX0740B	Cover
151130	SPX0710Z1A	Cover Screw with Nut (Set of 6 each)
151148	SPX0715Z1	Cover O-Ring
151131	SPX0603S	Spring
151117	SPX0704HA	O-Ring/Teflon Shaft Seal
151132	SPX0710Z62	Spring Washers (Set of 2)
HAYSPX0740D	SPX0740D	Valve Seat Gasket
HAYSPX740C	SPX0740C	Key/Stem Assembly
HAYSPX0740BA	SPX0740BA	Key, Cover, Handle Assembly
-	SPX0740AA	Valve Body with Gasket and Sight Glass - with Tank Pipes and Locknuts
150402	SX200Z4PAK2	Valve/Union O-Ring (Set of 2)

Cat. No. SP0714T Vari-Flo XL Valve

Imperial No.	Part Number	Description
151123	SPX0710XF	Handle
151124	SPX0710XZ7	Handle Pin
151125	SPX0710Z16	Non-Metallic Bearing (Pack of 5)
HAYSPX0714G	SPX0714G	Valve Position Label
HAYSPX714BA	SPX0714BA	Key, Cover and Handle Assembly
HAYSPX0714Z1	SPX0714Z1	Cover Screw (Set of 6)
HAYSPX714L	SPX0714L	Cover O-Ring
151128	SPX0735GA	O-Ring/Teflon Shaft Seal
151132	SPX0710Z62	Spring Washers (Set of 2)
HAYSPX714CA	SPX0714CA	Key/Seal Assembly
HAYSPX0714D	SPX0714D	Diffuser
HAYSPX714A	SPX0714A	Valve Body with Gasket and Sight Glass

PARTS

Hayward Chlorine And Bromine Feeders Replacement Parts



PARTS

Hayward Chlorine And Bromine Feeders Replacement Parts

CL100 and CL110 Series Chlorine Feeders

Imperial No.	Part Number	Description
151500	CLX110C	Cover
151501	CLX110K	O-Ring, Special Composition Viton
151502	CLX110DA	Dial Control Valve Assembly
151827	CLX110FA	Control Knob Assembly (CL100)

NOTES: Fittings, tubing, clamps, drain plug and check valve are same as CL200 and CL220 Series.

*For bromine feeders, add a "2" to the end of the part number

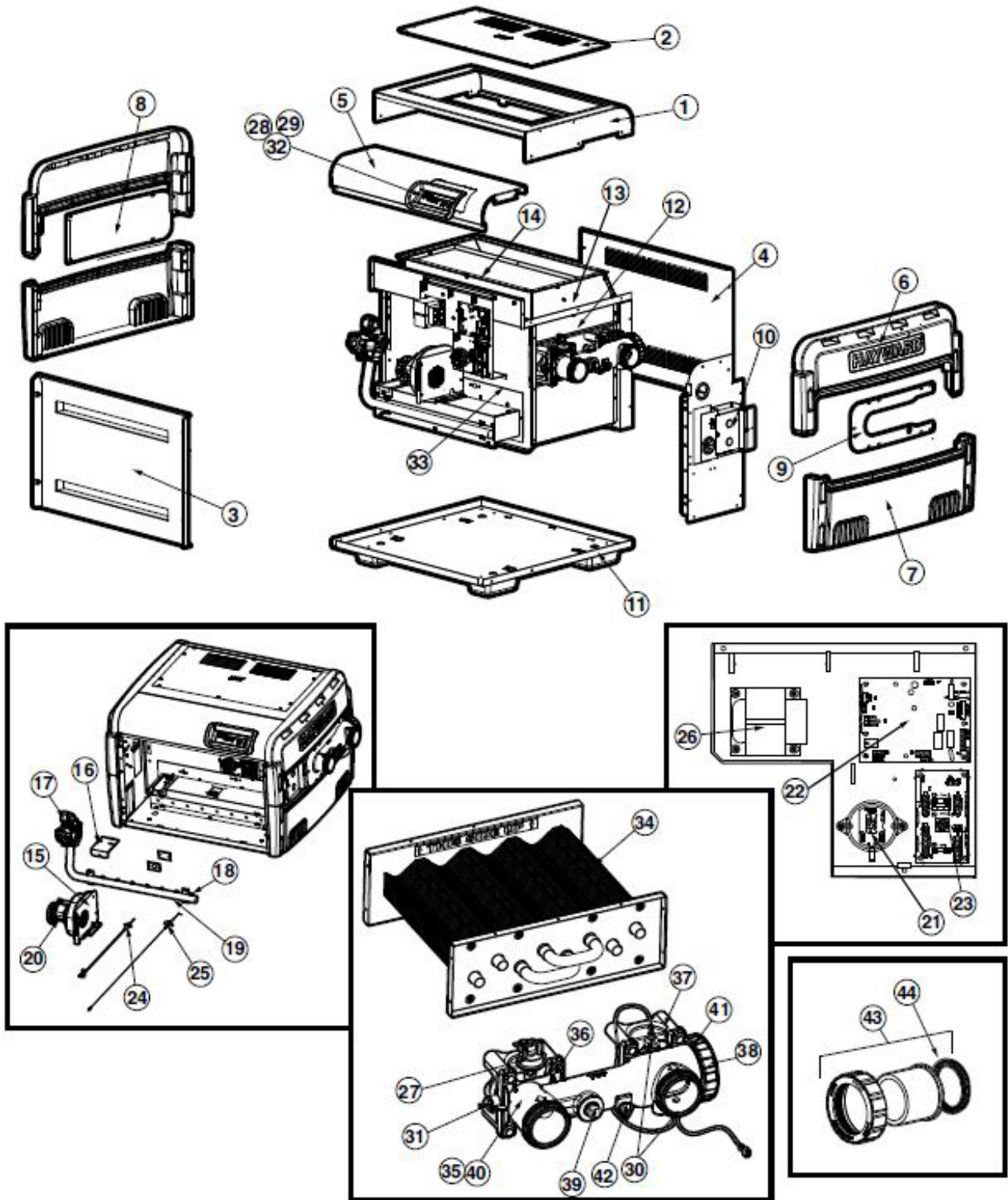
CL200 and CL220 Series Chlorine Feeders

Imperial No.	Part Number	Description
151504	CLX200EGA	Cover Retaining Screw with Slip Washers and Center Cap
151490	CLX200C	Cover Cap
HAYCLX200CA	CLX200CA	Cover and Cap Assembly (Includes O-Ring)
151491	CLX200B	Cover
151492	CLX200K	O-Ring, Special Composition Viton
151493	CLX200H	Feeder Tube
152101	CLX200PA	Control Knob Assembly with O-Rings (Viton) - large (1989)
151496	SPX1700FGV	Drain Plug with Gasket
151497	CLX220B	Base (CL220)
-	CLX200BS	Base (CL200)
151498	CLX220EA	Check Valve and Inlet Fitting Adapter Assembly
152294	CLX220G	Saddle Fitting
151499	CLX220GA	Saddle Fitting, Nut, Gasket, Saddle Clamp and 4 ft. Tubing
152295	CLX220K	Saddle Clamp
151982	CLX220J	8 ft. Length Chlorinator Tubing
152293	CLX220HPAK4	Compression Nut (Set of 4)
152297	CLX220P	1/4" Adapter Fitting
152298	SPX1091Z7TC	Combo Adapter with 1/4" Tap
152299	SPX1105Z4TC	Elbow Adapter with 1/4" Tap
152300	SPX1480BTC	Union End with 1/4" Tap
141286	SP1500UNPAK2	Union Connector Assembly
141287	SP1500UNMPAK1	1 1/2" mpt. Flush Union Connector with 1 1/2" Male Nipple. For mounting In-Line Chlorine Feeder.

NOTE: *For bromine feeders, add a "2" to the end of the part number.

PARTS

Hayward Universal H-Series Low Nox Replacement Parts for Models: H150FD, H200FD, H250FD, H300FD, H350FD, H400FD, H500FD



PARTS

Hayward Universal H-Series Low Nox Replacement Parts for Models: H150FD, H200FD, H250FD, H300FD, H350FD, H400FD, H500FD

Ref #	Imperial No.	Part Number	Description
1	-	FDXLJKT1150	Jacket Top and Flue Cover- H150FD
1	-	FDXLJKT1200	Jacket Top and Flue Cover- H200FD
1	-	FDXLJKT1250	Jacket Top and Flue Cover- H250FD1
1	-	FDXLJKT1250A	Jacket Top, Gray, ASME- H250FD
1	-	FDXLJKT1300	Jacket Top and Flue Cover- H300FD
1	-	FDXLJKT1350	Jacket Top and Flue Cover- H350FD
1	-	FDXLJKT1400	Jacket Top and Flue Cover- H400FD
1	-	FDXLJKT1400A	Jacket Top, Gray, ASME- H400FD
1	-	FDXLJKT1500	Jacket Top and Flue Cover- H500FD
1	-	FDXLJKT1500A	Jacket Top, Gray, ASME- H500FD
2	-	FDXLTFC1150	Top/Flue Cover- H150FD
2	-	FDXLTFC1200	Top/Flue Cover- H200FD
2	-	FDXLTFC1250	Top/Flue Cover- H250FD
2	-	FDXLTFC1250A	Top Flue Cover, Gray, ASME- H250FD
2	-	FDXLTFC1300	Top/Flue Cover- H300FD
2	-	FDXLTFC1350	Top/Flue Cover- H350FD
2	-	FDXLTFC1400	Top/Flue Cover- H400FD
2	-	FDXLTFC1400A	Top Flue Cover, Gray, ASME- H400FD
2	-	FDXLTFC1500	Top/Flue Cover - H500FD
2	-	FDXLTFC1500A	Top/Flue Cover, Gray, ASME - H500FD
3	-	FDXLFAD1150‡	Front Access Door Assembly- H150FD
3	-	FDXLFAD1200‡	Front Access Door Assembly- H200FD
3	-	FDXLFAD1250‡	Front Access Door Assembly- H250FD
3	-	FDXLFAD1250A‡	Front Door Assembly, Gray, ASME- H250FD
3	HAYFDXLFAD1300	FDXLFAD1300	Front Access Door Assembly - H300FD
3	-	FDXLFAD1350‡	Front Access Door Assembly- H350FD
3	-	FDXLFAD1400‡	Front Access Door Assembly- H400FD
3	-	FDXLFAD1400A‡	Front Door Assembly, Gray, ASME- H400FD
3	-	FDXLFAD1151‡‡	Rear Access Door Assembly- H150FD
3	-	FDXLFAD1201‡‡	Rear Access Door Assembly- H200FD
3	-	FDXLFAD1251‡‡	Rear Access Door Assembly- H250FD
3	-	FDXLFAD1251A‡‡	Rear Door Assembly, Gray, ASME- H250FD
3	-	FDXLFAD1301‡‡	Rear Access Door Assembly- H300FD
3	-	FDXLFAD1351‡‡	Rear Access Door Assembly- H350FD
3	-	FDXLFAD1401‡‡	Rear Access Door Assembly- H400FD
3	-	FDXLFAD1401A‡‡	Rear Door Assembly, Gray, ASME- H400FD
3	-	FDXLFAD1500	Front Access Door Assembly - H500FD
3	-	FDXLFAD1500A	Front Door Assembly, Gray, ASME - H500FD
4	-	FDXLRAD1150	Rear Access Door Assembly- H150FD
4	-	FDXLRAD1200	Rear Access Door Assembly- H200FD
4	-	FDXLRAD1250	Rear Access Door Assembly- H250FD
4	-	FDXLRAD1250A	Rear Door Assembly, Gray, ASME- H250FD
4	-	FDXLRAD1300	Rear Access Door Assembly- H300FD
4	-	FDXLRAD1350	Rear Access Door Assembly- H350FD
4	-	FDXLRAD1400	Rear Access Door Assembly- H400FD
4	-	FDXLRAD1400A	Rear Door Assembly, Gray, ASME- H400FD
4	-	FDXLRAD1500	Rear Access Door Assembly - H500FD
4	-	FDXLRAD1500A	Rear Door Assembly, Gray, ASME - H500FD
5	-	FDXLTFP1150	Top and Front Panel- H150FD
5	-	FDXLTFP1200	Top and Front Panel- H200FD
5	-	FDXLTFP1250	Top and Front Panel- H250FD
5	-	FDXLTFP1250A	Top Front Panel, Gray, ASME- H250FD
5	HAYFDXLTFP1300	FDXLTFP1300	Top and Front Panel - H300FD
5	-	FDXLTFP1350	Top and Front Panel- H350FD
5	-	FDXLTFP1400	Top and Front Panel- H400FD
5	-	FDXLTFP1400A	Top Front Panel, Gray, ASME- H400FD
5	-	FDXLTFP1500	Top and Front Panel - H500FD
5	-	FDXLTFP1500A	Top Front Panel, Gray, ASME - H500FD
6	-	FDXLU EC1930	Upper End Cap- FD
7	-	FDXLLEC1930	Lower End Cap- FD
8	-	FDXLLTP1930	Left Trim Panel Kit
9	-	FDXLRTP1930	Right Trim Panel Kit
10	-	FDXLLCB1930*	Left Connection Box- FD
10	-	FDXLR CB1930*	Right Connection Box- FD
10	-	FDXLLJC1930‡‡‡	Junction Box Cover, Left

PARTS

Hayward Universal H-Series Low Nox Replacement Parts for Models: H150FD, H200FD, H250FD, H300FD, H350FD, H400FD, H500FD

Ref #	Imperial No.	Part Number	Description
10	-	FDXLRJC1930†††	Junction Box Cover, Right
10	-	FDXLPLC1930***	Polymer Junction Box Cover, Left
10	-	FDXLPRC1930***	Polymer Junction Box Cover, Right
11	-	FDXLPBL1930	Base Leg- FD
12	-	FDXLFCS1930	Flue Collector Side Panel
13	-	FDXLRGK1151	Rain Guard Assembly- H150FD
13	-	FDXLRGK1201	Rain Guard Assembly- H200FD
13	-	FDXLRGK1251	Rain Guard Assembly- H250FD
13	-	FDXLRGK1301	Rain Guard Assembly- H300FD
13	-	FDXLRGK1351	Rain Guard Assembly- H350FD
13	-	FDXLRGK1401†	Rain Guard Assembly- H400FD
13	-	FDXLRGK1500	Rain Guard Assembly - H500FD
14	-	FDXLHBP1150	Heat Barrier Panel- H150FD
14	-	FDXLHBP1200	Heat Barrier Panel- H200FD
14	-	FDXLHBP1250	Heat Barrier Panel- H250FD
14	-	FDXLHBP1300	Heat Barrier Panel- H300FD
14	-	FDXLHBP1350	Heat Barrier Panel- H350FD
14	-	FDXLHBP1400	Heat Barrier Panel- H400FD
14	-	FDXLHBP1500	Heat Barrier Panel - H500FD
15	-	FDXLBBN1150	Blower Inlet Baffle - H150FD
15	-	FDXLBBN1200	Blower Inlet Baffle - H200FD
15	-	FDXLBBN1250	Blower Inlet Baffle - H250FD
15	-	FDXLBBN1300	Blower Inlet Baffle - H300FD
15	-	FDXLBBN1350	Blower Inlet Baffle - H350FD
15	-	FDXLBBN1400	Blower Inlet Baffle - H400FD
15	-	FDXLBBN1500	Blower Inlet Baffle - H500FD
16	-	FDXLIAC1930	Ignitor Access Cover
17	-	FDXLGSV0001	Gas Valve Natural Gas- FD
17	-	FDXLGSV0002	Gas Valve Propane Gas- FD
17	-	FDXLGSV1500N	Gas Valve Natural Gas - H500FD Only
17	-	FDXLGSV1500P	Gas Valve Propane Only - H500FD Only
18	-	FDXLBON1930	Burner Orifice Kit Natural Gas- FD
18	-	FDXLBOP1930	Burner Orifice Kit Propane Gas- FD
18	-	FDXLBON1500	Burner Orifice Kit Natural Gas - H500FD Only
18	-	FDXLBOP1500	Burner Orifice Kit Propane Gas - H500FD Only
19	-	FDXLMAN1150	Gas Manifold- H150FD
19	-	FDXLGCK1150NP	Conversion Kit, NAto LP, H150FD
19	-	FDXLGCK1150PN	Conversion Kit, LPto NA, H150FD
19	-	FDXLMAN1200	Gas Manifold- H200FD
19	-	FDXLGCK1200NP	Conversion Kit, NAto LP, H200FD
19	HAYFDXLGCK1200PN	FDXLGCK1200PN	Conversion Kit, LP to NA, H200FD
19	-	FDXLMAN1250	Gas Manifold- H250FD
19	-	FDXLGCK1250NP	Conversion Kit, NAto LP, H250FD
19	HAYFDXLGCK1250PN	FDXLGCK1250PN	Conversion Kit, LP to NA, H250FD
19	-	FDXLMAN1300	Gas Manifold- H300FD
19	-	FDXLGCK1300NP	Conversion Kit, NAto LP, H300FD
19	-	FDXLGCK1300PN	Conversion Kit, LPto NA, H300FD
19	-	FDXLMAN1350	Gas Manifold- H350FD
19	-	FDXLGCK1350NP	Conversion Kit, NAto LP, H350FD
19	-	FDXLGCK1350PN	Conversion Kit, LP to NA, H350FD
19	-	FDXLMAN1400	Gas Manifold- H400FD
19	-	FDXLGCK1400NP	Conversion Kit, NAto LP, H400FD
19	-	FDXLGCK1400PN	Conversion Kit, LPto NA, H400FD
19	-	FDXLMAN1500	Gas Manifold - H500FD
19	-	FDXLGCK1500NP	Gas Conversion Kit, NA to LP, H500FD
19	-	FDXLGCK1500PN	Gas Conversion Kit, LP to NA, H500FD
20	HAYFDXLBWR1930	FDXLBWR1930	Combustion Blower - FD
20	-	FDXLBWR1500	Combustion Blower - H500FD Only
21	HAYFDXLBVS1930	FDXLBVS1930	Blower Vacuum Switch
22	HAYFDXLICB1930	FDXLICB1930	Integrated Control Board - FD
23	HAYFDXLFWP1930	FDXLFWP1930	Field Wiring Panel - FD
24	HAYFDXLIGN1930	FDXLIGN1930	Ignitor - FD
25	-	IDXLFLS1930	Flame Sensor
26	HAYIDL2TRF1930	IDXL2TRF1930	Transformer
27	HAYFDXLWPS1930	FDXLWPS1930	Water Pressure Switch

PARTS

Hayward Universal H-Series Low Nox Replacement Parts for Models: H150FD, H200FD, H250FD, H300FD, H350FD, H400FD, H500FD

Ref #	Imperial No.	Part Number	Description
28	HAYIDL2DB1930	IDXL2DB1930	Display Board ONLY
29	HAYFDXLBKP1930	FDXLBKP1930	Bezel and Keypad Assembly, Taupe
29	FDXLBKP1931	FDXLBKP1931	Bezeland Keypad Assembly, Blue
30	HAYFDXLHLI1930	FDXLHLI1930	High Limit Kit
31	HAYFDXALTER1930	FDXALTER1930	Thermistor
32	HAYFDXLGSK1932	FDXLGSK1932	Gasket, Bezel/Top - FD
32	-	FDXLHXA1500	Heat Exchanger Assembly - H500FD
32	-	FDXLHXA1500A	Heat Exchanger Assembly, ASME - H500FD
33	-	FDXLGSK1934	Gasket, CCFront/Air Box- FDAII Models
34	-	FDXLHXA1150	Heat Exchanger Assembly- H150FD
34	HAYFDXLHXA1200	FDXLHXA1200	Heat Exchanger Assembly - H200FD
34	HAYFDXLHXA1250	FDXLHXA1250	Heat Exchanger Assembly - H250FD
34	-	FDXLHXA1250A	Heat Exchanger Assembly, ASME- H250FD
34	HAYFDXLHXA1300	FDXLHXA1300	Heat Exchanger Assembly - H300FD
34	HAYFDXLHXA1350	FDXLHXA1350	Heat Exchanger Assembly - H350FD
34	HAYFDXLHXA1400	FDXLHXA1400	Heat Exchanger Assembly - H400FD
34	-	FDXLHXA1400A	Heat Exchanger Assembly, ASME- H400FD
36	-	FDXLHDW1930	Header Hardware Kit
37	HAYFDXLHMB1930	FDXLHMB1930	Header Mounting Base Kit
38	HAYFDXLBPK1930	FDXLBPK1930	Bypass Cartridge Kit
39	152235	CHXPLG1930	3/4" NPT Brass Plug
35	HAYFDXLFHA1930	FDXLFHA1930	Header Assembly
40	HAYFDXLFHA1930	FDXLFHA1930	Header Assembly
41	FDXLCRN1930	FDXLCRN1930	Header Cartridge Retaining Nut
42	150115	SPX4000FG	Drain Plug with O-Ring
43	156097	SPX3200UNKIT	Union Connector Kit (Includes Nut, Connector, Gasket)
44	156096	SPX3200UG	Union Gasket (T-seal), 50 duro EPDM (2 per pack)
-	-	FDXLBKN1930	Burner
-	-	FDXLCBC1930*	Control Box Cover Assembly
-	HAYFDXLCNK0001	FDXLCNK0001	Conversion Kit - NA to LP
-	HAYFDXLCNK0002	FDXLCNK0002	Conversion kit - LP to NA
-	-	FDXLCNK0003	Conversion Kit - NA to LP, H500FD
-	-	FDXLCNK0004	Conversion Kit - LP to NA, H500FD
-	-	FDXLDV1930A	Drain Valve, ASME
-	HAYFDXLFSK1930	FDXLFSK1930	Fuse Service Kit - FD
-	-	FDXLFSKC30	Fuse Kit, 3.0A, for Integrated Control Board(Qty. 10)
-	HAYFDXLFSKF15	FDXLFSKF15	Fuse Kit, 1.5A, for Field Wiring Panel (Qty. 10)
-	-	FDXLFSKF25	Fuse Kit, 2.5A, for Field Wiring Panel (Qty. 10)
-	-	FDXLFSKF30	Fuse Kit, 3.0A, for Field Wiring Panel (Qty. 10)
-	-	FDXLGND1930	Heat Exchanger Bonding Kit
-	-	FDXLGSK1930	Gasket Kit - Air Side (all models)
-	-	FDXLGSK1931	Gasket Kit - Exhaust Side (all models)
-	-	FDXLGSK1933	Insulation, Return Side Tube Sheet - FD
-	-	FDXLHAK1930	Conversion Kit, H150FD-H400FDHigh-Altitude, 2,000-10,100 ft.
-	-	FDXLPLG1930	1/8Inches NPTBrass Plug
-	-	FDXLTDK1930	Tie-Down Kit - FD
-	-	FDXLUNK1930A	ASMEUnion Flange Kit (Includes Flange Fittings, Bolts, Gaskets)
-	-	FDXLVPS1930	Vent Pressure Switch, Indoor, 0-2,000 ft
-	-	FDXLVPS1931	Vent Pressure Switch, Indoor, 2,000- 10,100 ft
-	-	FDXLVSJ1930	Voltage Selector Jumpers
-	HAYFDXLWHA0001	FDXLWHA0001	Wiring Harness Kit Complete - FD
-	-	FDXLWHA1930**	Wiring Harness Kit Complete- FD
-	HAYIDLXTMB1931	IDXLTMB1931	Terminal Block - Remote Connection
-	-	UHXTFP1930	Water Flow Switch and Temp/Press Gauge Kit
-	-	UHXTFSW1930	Water Flow Switch Kit
-	-	UHXHD6ELBOW	Heatfab Stainless Vent Kit, 6Inches 90° Elbow
-	HAYUHXHD8ELBOW	UHXHD8ELBOW	Heatfab Stainless Vent Kit, 6" 90 Degree Elbow
-	-	UHXHD6ETERM	Heatfab Stainless Vent Kit, 6Inches Horizontal Elbow Terminal
-	-	UHXHD6PIPE18	Heatfab Stainless Vent Kit, 6Inches Vent Pipe, 18Inches Long
-	-	UHXHD6PIPE24	Heatfab Stainless Vent Kit, 6Inches Vent Pipe, 24Inches Long
-	-	UHXHD6PIPE36	Heatfab Stainless Vent Kit, 6Inches Vent Pipe, 36Inches Long

PARTS

Hayward Universal H-Series Low Nox Replacement Parts for Models: H150FD, H200FD, H250FD, H300FD, H350FD, H400FD, H500FD

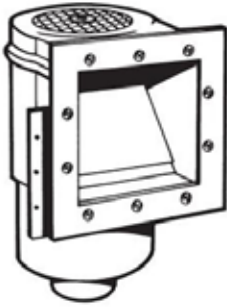
Ref #	Imperial No.	Part Number	Description
-	-	UHXHD6STERM	Heatfab Stainless Vent Kit, 6Inches Horizontal Straight Terminal
-	-	UHXLOK1930	Control Bezel Lock-Out Kit
-	-	UHXNEGVT15001	Indoor Vent Adapter Kit, H500FD, Negative-Pressure (Vertical)
-	-	UHXPOSHZ15001	Indoor Vent Adapter Kit, H500FD, Positive-Pressure (Horizontal)

NOTES: *Used only on Heaters made before 9/9/08, serial # 21130809100177001 **Used only on Heaters made after 9/9/08, serial # 21130809100177001 ***Used only on models after 10/14, serial # ‡Used only on heaters made before 7/13, serial # 21131307100333001. ‡‡Used only on heaters made after 7/13, serial # 21131307100333001 ‡‡‡Used only on heaters made before 10/14.

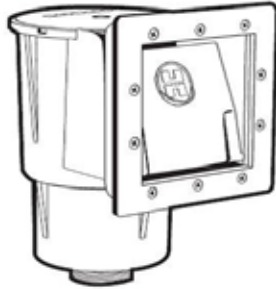
PARTS

Hayward Automatic Skimmers Replacement Parts

SP1090



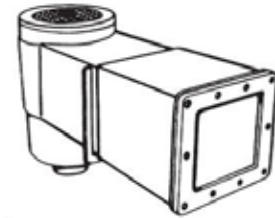
SP1092



SP1091LX



SP1089



SP1097

Cat. Nos. SP1090, SP1090WM, 1092

Imperial No.	Part Number	Description
151269	SPX1096CA	Basket, 5 1/8" O.D. x 3"
151267	SPX1096B	Cover
151270	SPX1096A2	Basket Support Ring
151271	SPX1096K	Weir
151276	SPX1090D	Face Plate
-	SPX1094GPAK2	Gasket (Set of 2)
-	SPX1090GA	Throttle Plate with Screw
151275	SPX1090Z1A	Face Plate Screw Set
HAYSPX1030Z1C	SPX1030Z1C	Face Plate Screw Set - 1 1/4" long
-	SPX1090AA	Body with Basket Ring
-	SPX1092C	Access Plug

Wide Mouth Skimmer Parts - No. SP1090WM:

Imperial No.	Part Number	Description
151045	SPX1090WMCV	Cover
151048	SPX1090WMSB	Skimmer Basket
151051	SPX1090WMW	Weir
151050	SPX1090WMVA	Vacuum Adapter
151047	SPX1090WMFP	Face Plate
151049	SPX1090WMSG	Sealing Gasket (Set of 2)

Turbo Skimmer Parts - No. SP1090T, 1091T:

Imperial No.	Part Number	Description
-	SPX0703GA	Turbo Boost Valve

Cat. Nos. SP1091LX, SP1091WM

Imperial No.	Part Number	Description
152312	SPX1091B	Skimmer Cover
152313	SPX1091C	Basket with Handle
152314	SPX1091K1	Weir
152315	SPX1091D	Face Plate Standard
156078	SPX1091E	Widemouth Extension
HAYSPX1091F	SPX1091F	Face Plate Widemouth
HAYSPX1091G	SPX1091G	Gasket STD, Butterfly
152340	SPX1091GW	Gasket Widemouth, Butterfly
151598	SPX1090Z6A	Standard Screw Set
151599	SPX1090Z7A	Widemouth Screw Set

PARTS

Hayward Automatic Skimmers Replacement Parts

Cat. Nos. SP1094, 1094SPA, 1094H, 10950M

Imperial No.	Part Number	Description
151280	SPX1094FA	Basket - 4 3/4" O.D. x 3"
151281	SPX1094C	Cover
151282	SPX1094K	Weir
151283	SPX1094B	Face Plate
-	SPX1094GPAK2	Gasket (Set of 2)
HAYSPX1030Z1C	SPX1030Z1C	Face Plate Screw Set - 1 1/4" long
HAYSPX1094R	SPX1094R	Face Plate Cover - Snap-On
151275	SPX1090Z1A	Face Plate Screw Set

Cat. Nos. SP1096, 1097, 1098

Imperial No.	Part Number	Description
151273	SPX0097E	
151267	SPX1096B	Cover
151268	SPX1096AX	Adjusting Collar
151269	SPX1096CA	Basket, 5 1/8" O.D. x 3"
151270	SPX1096A2	Basket Support Ring
151271	SPX1096K	Weir
151272	SPX1097D	Face Plate (SP1097, 1098)
151275	SPX1090Z1A	Face Plate Screw Set

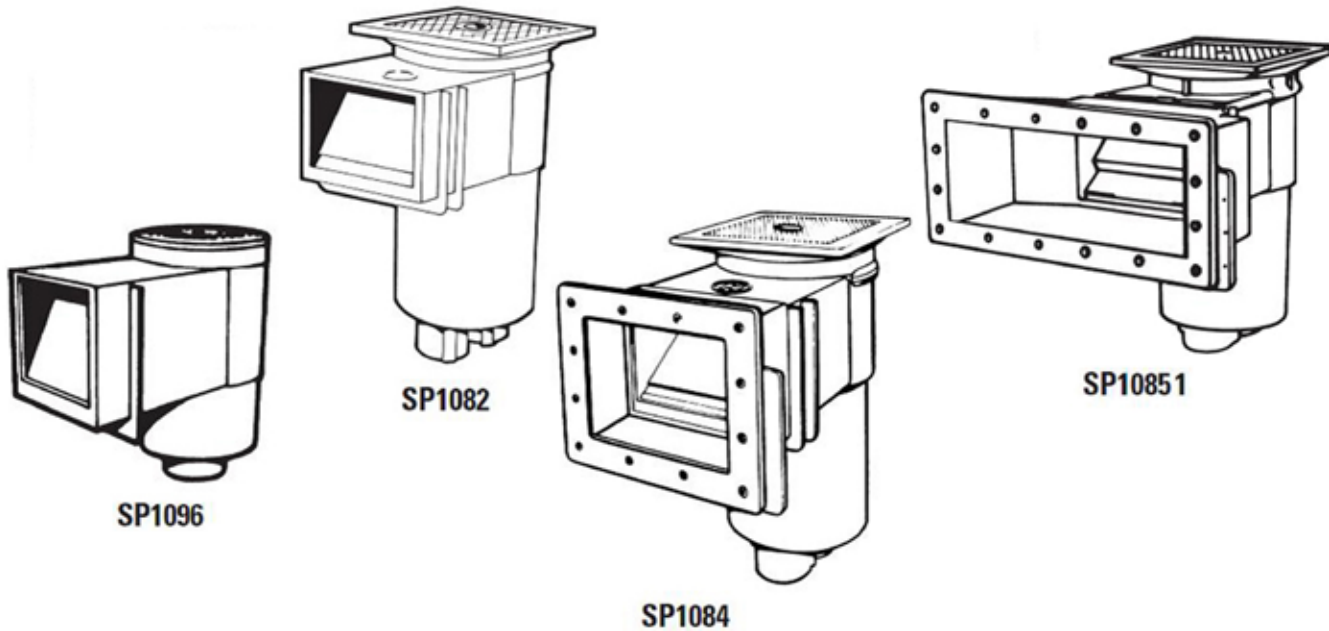
Cat. No. SP1089

Imperial No.	Part Number	Description
HAYSPX1088B	SPX1088B	Cover
HAYSPX1088GA	SPX1088GA	Basket Assembly
151251	SPX1084L	Faceplate (SP1084)
151277	SPX1084BPAK2	Gasket (SP1084) - Set of 2
151255	SPX1084Z4A	Face Plate Screw Set (Coarse Threads) SP1084

PARTS

Hayward Automatic Skimmers Replacement Parts

SP1089



Cat. Nos. SP1082, 1083, 1084, 1085, 1086

Imperial No.	Part Number	Description
151243	SPX1082E	Cover, Square
151250	SPX1082Z1	Cover Screw (Square Cover)
151244	SPX1082F	Adjusting Collar, Square
-	SPX1082EFDGR	Square Collar and Cover Assembly - Dark Gray
151245	SPX1084R	Cover, Round
-	SPX1084RADGR	Round Collar and Cover Assembly - Dark Gray
HAYSPX1084Z9	SPX1084Z9	Cover Screw (Round Cover)
HAYSPX1084P	SPX1084P	Round Extension Collar
151246	SPX1082CA	Basket with Handle, 6 1/2" O.D. x 5"
152286	SPX1082N2	Handle for SPX1082CA Basket
151247	SPX1082D	Basket Support Ring
151248	SPX1082K	Weir
151249	SPX1082H1A	Slide Plate with Screw
HAYSPX1082Z3	SPX1082Z3	Vacuum Hose Adapter
HAYSPX1053Z1	SPX1053Z1	2" Pipe Plug
-	SPX1082Z2	2 Inches x 1 1/2 Inches Reducing Bushing
151251	SPX1084L	Faceplate (SP1084)
151257	SPX1085B	Faceplate (SP1085)
151277	SPX1084BPAK2	Gasket (SP1084) - Set of 2
151266	SPX1085DPAK2	Gasket (SP1085) - Set of 2
151253	SPX1084C	Spacer (SP1084)
151254	SPX1084Z1A	Face Plate Screw Set (Fine Threads) SP1084
151255	SPX1084Z4A	Face Plate Screw Set (Coarse Threads) SP1084
151256	SPX1084Z4AM	Face Plate Screw Set 1 1/4" Long (Coarse Threads) SP1084
151259	SPX1085Z1A	Face Plate Screw Set (Coarse Threads) SP1085
HAYSPX1085Z1AM	SPX1085Z1AM	Face Plate Screw Set 1 1/4" Long (Coarse Threads) SP1085
-	SPX1084B3PAK2	Gasket Kit (SP1084OM) (Set of 2)
-	SPX1084B3PAK2	Gasket Kit (SP1085OM) (Set of 2)
151262	SPX1080EA	Basket with Sleeve
151263	SPX1080AA	Flo-Selector Control with Valve
151265	SPX1080D	Skimmer Throttling Plate
-	WGX1082E	NSF listed replacement cover (Auto-Skim, Square)

PARTS

Hayward Automatic Skimmers Replacement Parts

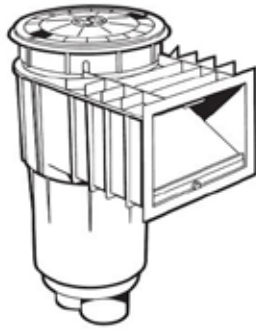
Cat. Nos. SP1082, 1083, 1084, 1085, 1086

Turbo Skimmer Parts - Skimmer Nos. SP1082T, 1084T Series:

Imperial No.	Part Number	Description
-	SPX1084KA	Turbo Boost Valve Assembly

NOTES: *Available in Gray, Dark Gray and Black. Add suffix GR for Gray, DGR for Dark Gray and BLK for Black.
**Also available in Dark Gray. Add suffix DGR for Dark Gray.

SP1075



SP1071



SP1099S

Cat. Nos. SP1075, 1075T, 1076, 1077

Imperial No.	Part Number	Description
HAYSPX1075C1	SPX1075C1	Cover, White
HAYSPX1084Z9	SPX1084Z9	Cover Screw (Round Cover)
HAYSPX1075-B	SPX1075B	Adjusting Collar
151248	SPX1082K	Weir
151246	SPX1082CA	Basket with Handle, 6 1/2" O.D. x 5"
-	SPX1075F	Flo-Control Slide Plate with Screw
-	SPX1075L	Multi-Flo Valve Control (SP1075T)
151251	SPX1084L	Faceplate (SP1084)
151257	SPX1085B	Faceplate (SP1085)
151277	SPX1084BPAK2	Gasket (SP1084) - Set of 2
151266	SPX1085DPAK2	Gasket (SP1085) - Set of 2
151255	SPX1084Z4A	Face Plate Screw Set (Coarse Threads) SP1084
151256	SPX1084Z4AM	Face Plate Screw Set 1 1/4" Long (Coarse Threads) SP1084
151259	SPX1085Z1A	Face Plate Screw Set (Coarse Threads) SP1085
HAYSPX1085Z1AM	SPX1085Z1AM	Face Plate Screw Set 1 1/4" Long (Coarse Threads) SP1085

Cat. No. SP1070, SP1071 Series Skim-Master

Imperial No.	Part Number	Description
-	SPX1070Z3PAK2	Cover Retaining Screw (Set of 2)
HAYSPX1070C	SPX1070C	Cover
-	SPX1070C10	Cover, Tan
HAYSPX1070B	SPX1070B	Adjusting Collar, White
-	SPX1070B10	Adjusting Collar, Tan
-	SPX1070BA*	Adjusting Collar and Cover Assembly
-	SPX1070E2	Basket Handle
HAYSPX1070KHR	SPX1070KHR	Weir Assembly with Bumper Pad (for 1070 Series)
-	SPX1071K*	Weir Assembly with Bumper Pad (for 1071 Series)
HAYSPX1070E	SPX1070E	Basket - 8 1/4" O.D. x 5 1/4"
HAYSPX1082H1B	SPX1082H1B	Flo-Control Slide Plate with Screw

PARTS

Hayward Automatic Skimmers Replacement Parts

Cat. No. SP1070, SP1071 Series Skim-Master

Imperial No.	Part Number	Description
-	SP1070FV	Float Valve Assembly
HAYSPX1070FA	SPX1070FA	Flo-Control Trimmer Plate with Screw
-	WGX1070C	NSF listed replacement cover (Round)

Cat. No. SP1099S Spa Skimmer

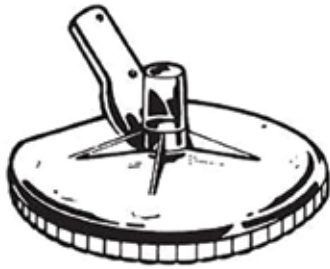
Imperial No.	Part Number	Description
HAYSPX1099B	SPX1099B	Basket
-	SPX1099K	Weir
-	SPX1099C	Cover Plate, ABS
-	SPX1099E	Gasket
-	SPX1099FG	Air Relief Valve Kit

NOTES: *Available in Gray, Dark Gray and Black. Add suffix GR for Gray, DGR for Dark Gray and BLK for Black.

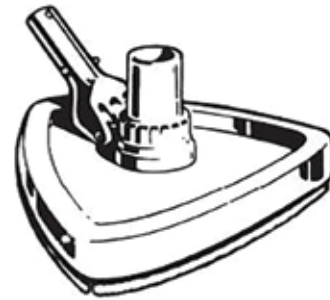
PARTS

Hayward Vacuum Cleaner Heads Replacement Parts

SP1067



SP1067



SP1068

Cat. No. SP1067 / SP1067R (Rubber) Power-Vacs

Imperial No.	Part Number	Description
141143	SPX1067C	Replacement Brushes for SP1067 Vac - SPX1067C
141146	SPX1067QA	Quik-Snap Handle Connector with Spring
151397	SPX0068Z1A	Bracket Bolt with Nut

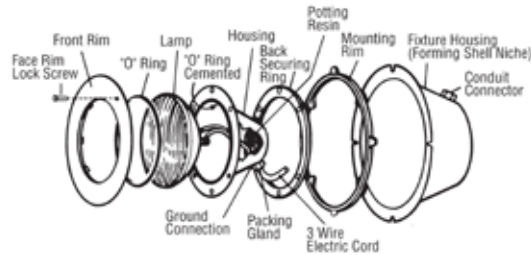
Cat. No. SP1068 / SP1068DL / 1069 / 1069DL Super-Vacs

Imperial No.	Part Number	Description
141144	SPX1068G3	Replacement Brushes for SP1068 Vac - SPX1068G3
HAYSPX1069B3	SPX1069B3	Brush (Set of 3) - for SP1069
151319	SPX1068C	Knurled Locknut
151405	SPX1068DE	Swivel Hose Connector Set, 1 1/4" and 1 1/2"
-	SP1068FA	Weight Pak (Set of 3)
151397	SPX0068Z1A	Bracket Bolt with Nut
141146	SPX1067QA	Quik-Snap Handle Connector with Spring
-	SPX1067S	Snap-Spring ONLY

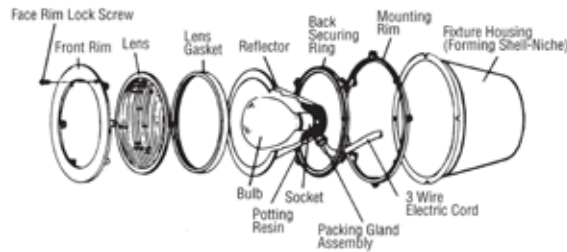
PARTS

Hayward UnderWater Lights And Accessories Replacement Parts

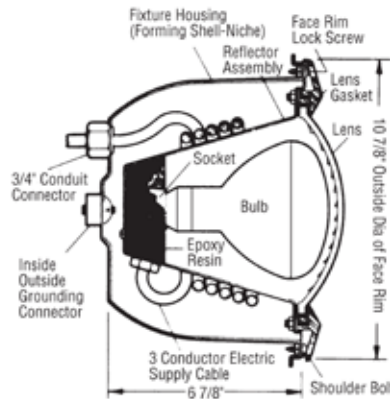
SP0500



SP0500, 0501, 0502



SP0503, 0504



SP0540, 0541, 0542, 0543

Cat. Nos. SP0500, 0501, 0502 Sealed Beam Series

Imperial No.	Part Number	Description
-	SPX0502Z1	Bulb, 300W, 12V, PAR 56 WFL
-	SPX0501HJ	O-Rings, Large and Small (Set), Special Hi-Temp
151337	SPX0503Z20A	Face Rim Lockscrew with Washer
151338	SPX0503XA	
-	SPX0502A	Front Rim, CPB
-	SPX0502Z66	Securing Rim Screw (Set of 6)

PARTS

Hayward UnderWater Lights And Accessories Replacement Parts

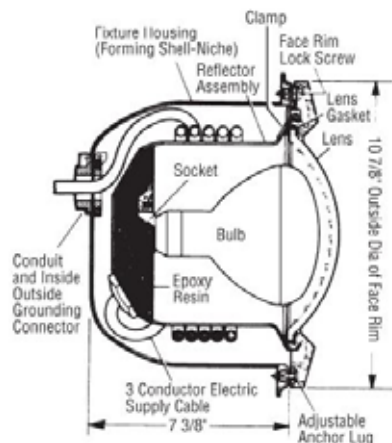
Cat. Nos. SP0503 (400W, 120V), SP0504 (500W, 110V)

Imperial No.	Part Number	Description
-	SPX0503Z5	Bulb, 400W, 120V, G/FL
HAYSPX504Z4	SPX0504Z4	Bulb, 500W, 120V, R-40 Mogul Base (1958-1970)
-	SPX0504Z7	Bulb, 500W, 120V, R-40 Medium Base
151344	SPX0503Z2C	Lens Clear (Tempered), 8 3/8"
151345	SPX0503W	Lens Gasket, Special Hi-Temp
151337	SPX0503Z20A	Face Rim Lockscrew with Washer
151338	SPX0503XA	
151346	SPX0503A	Front Rim, CPB
151348	SPX0503Z76	Securing Rim Screw (Set of 6)

Cat. Nos. SP0540, 0541, 0542, 0543 (StarLite Series)

Imperial No.	Part Number	Description
151327	SPX0540A	Molded Face Rim with Studs
151328	SPX0540Z1	Lens - Clear 7 9/16" Diameter (Tempered)
151329	SPX0540Z2	Lens Gasket, Special Hi-Temp
151331	SPX0540Z16A	Face Rim Lockscrew with Fastener
151334	SPX0555Z2	Lower Mounting Screw
151330	SPX0540Z4A	No. 10-24 Hex. Nut with Washer for Face Rim Studs
-	SPX1392G10	Washer - Pkg. of 10
-	SPX0510A	100W, 12V, Bulb R-30
-	SPX0541Z1	300W, 12V, Bulb R-40
151333	R40FL300/HG	300 W, 110 V Bulb R-40
-	SPX0504Z7	500W, 120V, R-40

SP0560



SP0560, 0570 SERIES

Cat. Nos. SP0560, 0570 (DuraLite Series)

Imperial No.	Part Number	Description
-	SPX0580A1	Molded Face Plate (for 570 Series with N Suffix)
151349	SPX0570A	Molded Face Rim with Integral Flange (Smooth)
151351	SPX0560EA	Clamp Screw with Nut and Washer
151331	SPX0540Z16A	Face Rim Lockscrew with Fastener

NOTE: All other parts same as standard SP0580 Astrolite Series.

Cat. Nos. SP0580, 0580S (AstroLite Series)

Imperial No.	Part Number	Description
151453	SPX0580A	Molded Face Rim
HAYSPX0580AS	SPX0580AS	Stainless Steel Face Rim
151452	SPX0580Z2	Lens Gasket
151451	SPX0580B	Assembly Clamp with Screw, Nut and Washer (SP0580 Series)
HAYSPX0580BS	SPX0580BS	Assembly Clamp with Screw, Nut and Washer (SP0580S Series)
HAYSPX580Z3	SPX0580Z3	Face Rim Lockscrew with Fastener - SP580S

PARTS

Hayward UnderWater Lights And Accessories Replacement Parts

Cat. Nos. SP0580, 0580S (AstroLite Series)

Imperial No.	Part Number	Description
151450	SPX0580Z1	Face Rim Lockscrew with Fastener - SP580
-	SPX0584Z2	120V, 400W Bulb - Incandescent
-	SPX0540Z1B	Blue Lens

NOTE: All other parts same as Starlite Series.

Cat. Nos. SP0590S, 0590HS (AstroLite II Series)

Imperial No.	Part Number	Description
-	SPX0590A	Stainless Steel Face Rim
-	SPX0590E	Snap-on Plastic Face Rim
-	SPX0590Z1	Lens
HAYSPX0590G	SPX0590G	Lens Gasket
-	SPX0590Z2A	Face Rim Lockscrew with Fastener
-	SPX0550Z4	12V, 100W Bulb - Incandescent
-	SPX0551Z4	120V, 100W Bulb - Incandescent
-	SPX0590H	12V, 75W Bulb - Halogen
-	SPX0591H	120V, 100W Bulb - Halogen
-	SPX0590K	Blue and Red Replacement Lens Cover Kit
-	SPX0592H	120V, 250W Bulb - Halogen
HAYSPX0608C	SPX0608C	Face Ring Assembly
HAYSPX0608G	SPX0608G	Gasket
-	SPX0608CP	Card Seal Kit

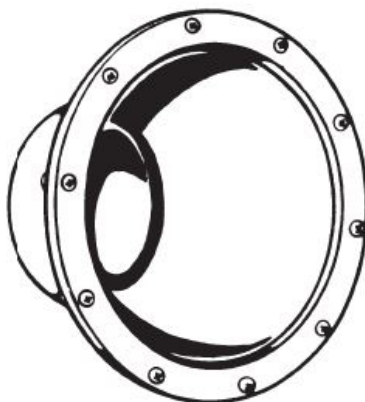
Cat. Nos. SP0520, 0530 (ColorLogic Series)

Imperial No.	Part Number	Description
-	SPX0525AS	Stainless Steel Face Rim (Large)
-	SPX0533AS	Stainless Steel Face Rim (Small)
HAYSPX0525Z1	SPX0525Z1	Screw Set for Stainless Steel Face Rim (Large)
HAYSPX0533Z1	SPX0533Z1	Screw Set for Stainless Steel Face Rim (Small)
-	SPX0525LED100	Replacement, ColorLogic 2.5, Pool, 120V, 100 ft.
-	SPX0525SLED100	Replacement, ColorLogic 2.5, Pool, 120V, 100 ft., Stainless Steel
-	SPX0533LED100	Replacement, ColorLogic 2.5, Spa, 120V, 100 ft.
-	SPX0533SLED100	Replacement, ColorLogic 2.5, Spa, 120V, 100 ft., Stainless Steel

PARTS

Hayward UnderWater Lights And Accessories Replacement Parts

SP0600



SP0506

Cat. Nos. SP0600, 0607, 0608U PVC Niches

Imperial No.	Part Number	Description
-	SPX0600G	Grounding Bracket Assembly
151334	SPX0555Z2	Lower Mounting Screw
151323	SPX0507A1	Front Frame, White (SP0607)
HAYSPX0507A1DGR	SPX0507A1DGR	Front Frame, Dark Gray (SP0607)
151324	SPX0506D	Gasket
151326	SPX0507D	Back Retaining Ring (SP0607)
151456	SPX0607Z1A	Screw Set
HAYSPX0608C	SPX0608C	Face Ring Assembly
-	SPX0608CDGR	Face Ring Assembly, Dark Gray
HAYSPX0608G	SPX0608G	Gasket
-	SPX0608CP	Cord Seal Kit

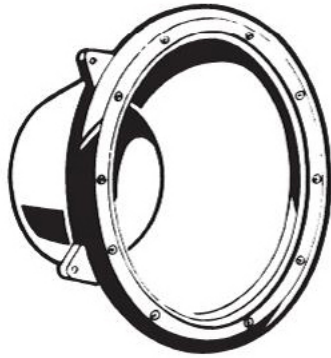
Cat. Nos. LFGUY1000 And LGGUY1000 PVC Niches

Imperial No.	Part Number	Description
-	SPX0608CP	Cord Seal Kit
-	SPX0601N	Niche Shield for LGGUY1000
-	SPX0800J	Shallow Niche Shield
-	SPX0800LPAK2	Latch for Shallow Niche
HAYSPX506A	SPX0506A	Front Frame, CPB
151324	SPX0506D	Gasket
HAYSPX506Z1A	SPX0506Z1A	Screw Set
-	SPX0800Z1	UCL Pool Light Retainer Screw Kit
-	SPX0601Z2PAK4	UCL Spa Light Plastic Retainer Screw Kit

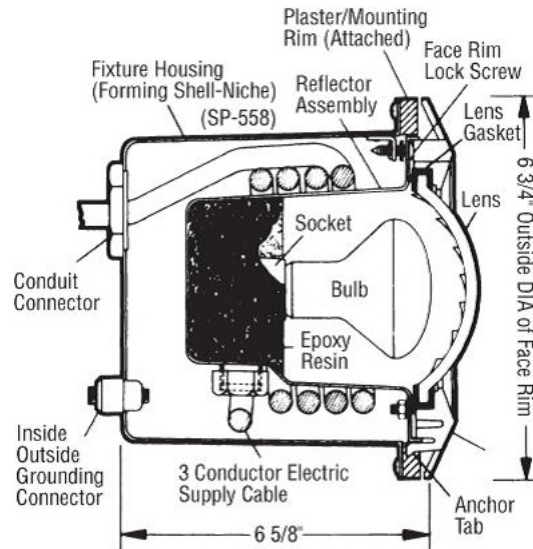
PARTS

Hayward UnderWater Lights And Accessories Replacement Parts

SP0507



SP0507, 0607



SP0550

Cat. No. SP0507 Shell Assemblies

Imperial No.	Part Number	Description
151323	SPX0507A1	Front Frame, White (SP0607)
151324	SPX0506D	Gasket
151326	SPX0507D	Back Retaining Ring (SP0607)
-	SPX0507Z1KIT	Long and Short Screw Set, Self-Tapping (SP0507)

Cat. Nos. SP0550, 0551 (StarLite II Series)

Imperial No.	Part Number	Description
-	SPX0550Z2	Lens Gasket, Hi-Temp
151330	SPX0540Z4A	No. 10-24 Hex. Nut with Washer for Face Rim Studs
-	SPX0555Z3	Set Screw for Ground Connector
-	SPX0550Z4	100 Watt, 12 Volt Bulb, R-20
-	SPX0551Z4	100 Watt, 120 Volt Bulb, R-20

Cat. No. SP056525, SP056525A - Elite Above-Ground Light

Imperial No.	Part Number	Description
HAYSPX0565Z1	SPX0565Z1	Replacement 12 Volt/50 Watt Halogen Lamp with Reflector
-	SPX0565B	Lens for Model SP056525
HAYSPX0565BA	SPX0565BA	Lens for Model SP056525A
HAYSPX0565G	SPX0565G	Gasket
-	SPX0565L	Color Filter Kit
-	SPX0565N	Fastening Nut

FORTIFIED STEEL PANELS

Legacy
EDITION POOLS®
a heritage of excellence


generation
pools®
Where family happens™



ARMOR GUARD™
• FORTIFIED STEEL PROTECTION •

Simply put, we make
the strongest steel
pools in the industry.

Our steel panels are built to withstand extreme conditions, and fortified with our pioneering Imperial Armor Guard™, an additional coat of protection designed to prevent corrosion and extend the life of your panels.


**Imperial
POOLS INC.**
REDEFINING ONE SOURCE

33 Wade Rd
Latham, New York 12110
www.imperialpools.com

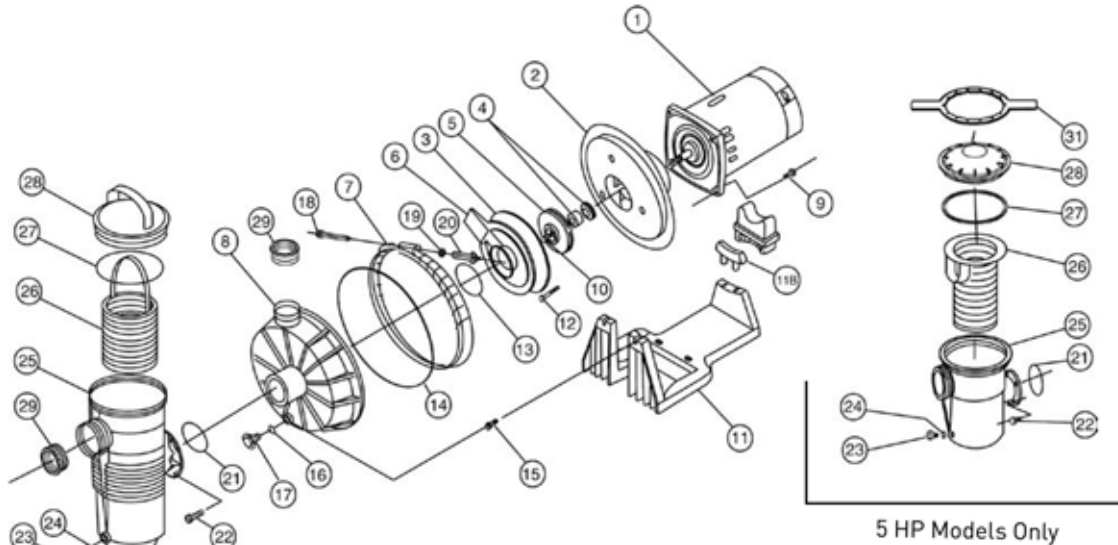

**MAD
money™**
MANUFACTURING AND DISTRIBUTION CASH BACK

*Get Cash Back on everything
you buy from Imperial
Manufacturing and Distribution!*

To find out how, contact your Imperial Sales
Director for details and eligibility.

PARTS

Pentair Challenger High Flow Pump Replacement Parts



Not Shown

Ref #	Imperial No.	Part Number	Description
-	-	355309	Union Kit
-	-	357391	Pot Assembly, Black with SS basket (3F ONLY) Includes items 23-28

*Pump base (item 11a) includes dual radius motor support adapter (item 11b) which fits both 5-5/8 in. & 6-1/2 in. dia. motors.

**Item 18, carriage bolt is a replacement part for old style clamp band assembly (item 7).

***Includes items 23 & 24.

****Includes items 16 & 17.

Note: Challenger booster pumps consist of #1-20.

Note: Challenger pumps consist of all items except #15.

Note: When ordering replacement motor, give all information on motor name plate.

Ref #	Imperial No.	Part Number	Description
3	152451	355028	Plate, mounting 1/2F, 3/4F, 3/4A, 1A
3	152452	355078	Plate, mounting 1F, 1-1/2F, 1-1/2A, 2A
3	152453	355095	Plate, mounting 2F, 2-1/2A
4	152744	354545S	Mechanical seal, 5/8 in. PS 200
5	152720	355043	Impeller 1/2F, 3/4A
5	152721	355067	Impeller 3/4F, 1A
5	152722	355074	Impeller 1F, 1 1/2A
5	152454	355086	Impeller, 1-1/2F, 2A
5	152455	355093	Impeller, 2F, 2-1/2A
6	152456	355029	Diffuser, 1/2F, 3/4F, 3/4A, 1A
6	152457	355077	Diffuser, 1F, 1-1/2F, 1-1/2A, 2A
6	152458	355094	Diffuser, 2F, 2-1/2A
7	152459	355320	Band clamp assembly, complete
8	-	355469	Housing, front, almond***
9	-	354290	Screw, 3/8 in., 16 hex hd., 4 req.
10	152723	355389	Screw, impeller locking
11	152461	355305	
11B	-	355385	Adapter, 5-5/8 in. dia. motor**
12	152726	355334Z	Screw, No. 8-32 hex wsh. hd., 3 req.
13	152727	355030Z	Seal, diffuser
14	152463	355329Z	O-ring, front housing
15	-	355335	Screw, 5/16, 18 x 1/2 in. SS hex hd., 2 req.
18	-	152060	Bolt, 5/16, 18 x 4 in. carriage**
19	-	072173	Washer, 5/16 in. SS flat
20	152438	174882	Knob (fits clamp w/removable bolt only)
20	152466	175025	Knob (fits clamp w/captured T-Bolt only)
21	152467	355330	O-ring standup, strainer pot flange, 1/8 in. x 2-3/8 in. i.d.
22	152468	354265	Screw, 5/16, 18 hex wsh. hd., 4 req.

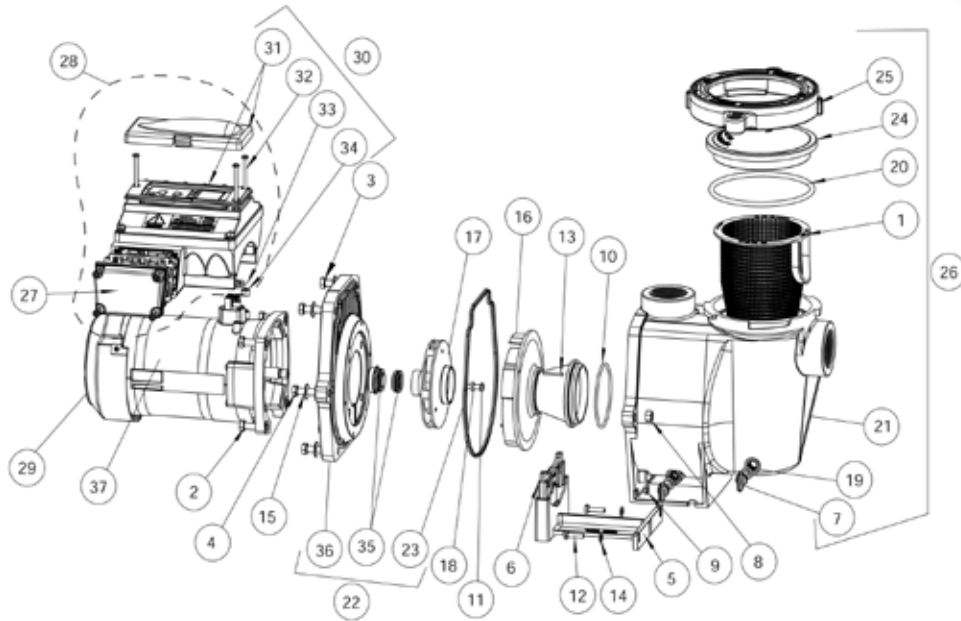
PARTS

Pentair Challenger High Flow Pump Replacement Parts

Ref #	Imperial No.	Part Number	Description
17	150664	357161Z	Plug, 1/4 in. NPT drain
23	150664	357161Z	Plug, 1/4 in. NPT drain
16	150665	192115Z	O-Ring 112, .487 x .103 buna N 70, 2 req. - 1/16 in. x 1/2 in. i.d.
24	150665	192115Z	O-Ring 112, .487 x .103 buna N 70, 2 req. - 1/16 in. x 1/2 in. i.d.
25	152469	355300	Strainer, pot, black
25	-	355900	Strainer, pot, 5F 3 in. suction for all large strainer pot models, black
26	152470	355318Z	Basket, plastic strainer
26	-	355441	Basket, SS Strainer (3F ONLY)
27	152729	350013Z	O-ring lid CH/WF 2-436, 1 req.
28	152728	355301	Lid, strainer pot, clear
28	152471	354112	Lid, chemical resistant, black
28	-	355914	Lid, strainer pot, 5F, black, chemical resistant
29	152472	552377	Bushing reducer 1/2F, 3/4F, 3/4A, 1A, 2 req.

PARTS

Pentair IntelliFlo Variable Speed And VS+SVRS Pump Replacement Parts



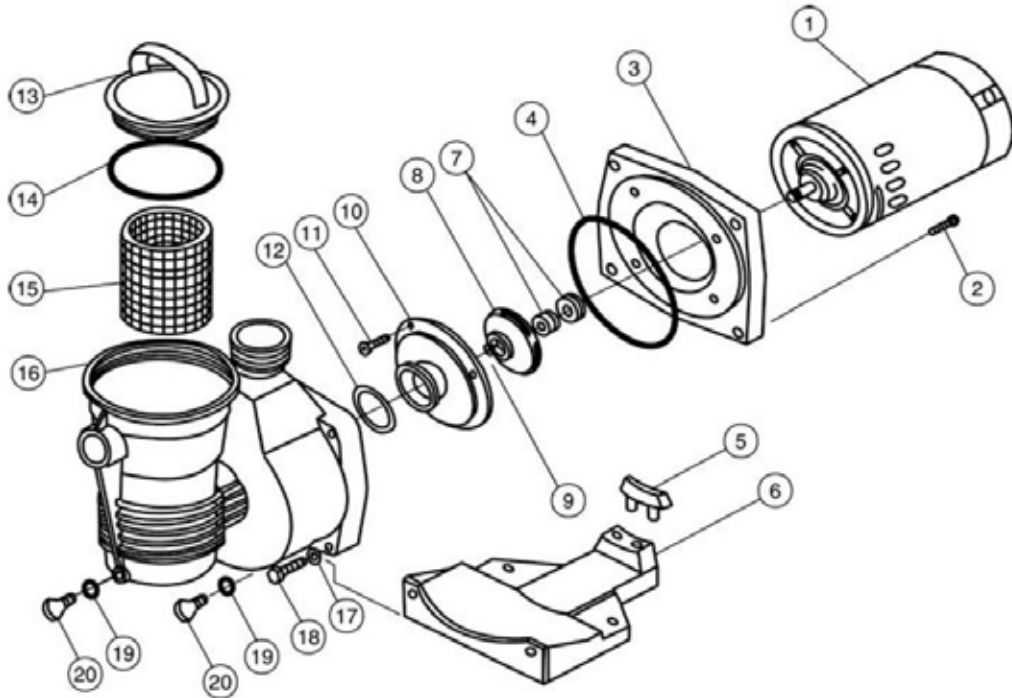
Not Shown

Ref #	Imperial No.	Part Number	Description
-	-	350122	50 ft. Communication Cable
-	-	350612	Hardware/gasket assy. Kit (contains 3 screws, 3 spacer caps and drive gasket)
-	-	357603	Union Kit (contains 2 complete unions for one pump, not included with pump)
-	-	350201	Seal plate kit without gasket (Items 35 And 36)

Ref #	Imperial No.	Part Number	Description
2	-	070429	Bolt hex HD, 2-56 x .875 S/S, 4 req.
3	-	070430	Bolt, 3/8-16 x 1-1/4 hex cap 18-8 S/S, 4 req.
4	-	070431	Bolt, 3/8-16 x 2 hex cap 18-8 S/S, 2 req.
5	-	070927	Foot WF, pump motor support, almond
6	-	070929	Foot insert WF pump, almond
8	-	071403	Nut, 3/8-16 brass nickel plated, 2 req.
9	-	071406	Nut, 1/4-20 hex S/S, 2 req.
12	-	071657	Screw, 1/4-20 x 1 in. hex cap 18-8 S/S, 2 req.
14	-	072183	Washer, flat 1/4 x 5/8 20GA thick 18-8 S/S, 2 req.
15	-	072184	Washer, 3/8 ID x 7/8 OD .05 thick 18-8 S/S
19	150665	192115Z	O-Ring 112, .487 x .103 buna N 70, 2 req. - 1/16 in. x 1/2 in. i.d.
20	152729	350013Z	O-ring lid CH/WF 2-436, 1 req.
26	-	357243	Pot WF assy. Almond (contains 1, 7 (Qty. 2), 19 (Qty. 2), 20, 21, 24, 25)
28	-	353251	IntelliFlo Variable Speed Drive Kit - Contains Drive and Control Cover Assy.
28	-	351021	IntelliFlo VS+SVRS Drive Kit - Contains Drive and Control Cover Assy.
29	-	352401	Motor fan kit, almond (contains fan, shroud, hardware)
30	-	350601	Drive Control Cover assembly kit, almond (contains Variable Speed drive, drive lid, screws, spacer caps, items 31, 32 (Qty. 3), 33, 34 (Qty. 3))
31	-	350082	Control cover assembly (not sold individually - order assy. Kit item #30)
32	-	350107	Screw 10-24 x 3 1/4 in. PH MS 18-8 S/S (Qty. 3)
33	-	350108	IntelliFlo drive gasket
34	-	350142	Spacer cap (Qty. 3)
36	-	074564	Seal Plate - Almond

PARTS

Pentair Pinnacle High Flow Pump Replacement Parts



Ref #	Imperial No.	Part Number	Description
2	-	354290	Hex hd. Screw, 3/8-16, 4 req.**
3	-	355666	Seal bracket thru-bolt, black**
4	152717	355619Z	O-ring, seal bracket (valve adptr., 3/16 in. x 7-3/4 in. i.d.)
5	-	355385	Motor support 48 frame*
6	152719	355613	Pump Base
7	152744	354545S	Mechanical seal, 5/8 in. PS 200
8	-	355225	Impeller 2A
8	152720	355043	Impeller 1/2F, 3/4A
8A	152720	355043	Impeller 1/2F, 3/4A
8	152721	355067	Impeller 3/4F, 1A
8A	152721	355067	Impeller 3/4F, 1A
8	152722	355074	Impeller 1F, 1 1/2A
8A	152722	355074	Impeller 1F, 1 1/2A
9	152723	355389	Screw, impeller locking
10	152724	355618	Diffuser, 1F, 1-1/2A Pinnacle, 1-1/2 HP & 2 HP
10	152725	355617	Diffuser, 1/2F, 3/4A and 3/4F, 1A
11	152726	355334Z	Screw, No. 8-32 hex wsh. hd., 3 req.
12	152727	355030Z	Seal, diffuser
13	152728	355301	Lid, strainer pot, clear
13	152471	354112	Lid, chemical resistant, black
14	152729	350013Z	O-ring lid CH/WF 2-436, 1 req.
15	152730	355667	Basket, large
17	-	072184	Washer, 3/8 in. SS, 4 req.
18	152733	355621	Screw, 3/4-16 x 2-1/4 Hex hd, 4 req.
19	150665	192115Z	O-Ring 112, .487 x .103 buna N 70, 2 req. - 1/16 in. x 1/2 in. i.d.
20	150664	357161Z	Plug, 1/4 in. NPT drain

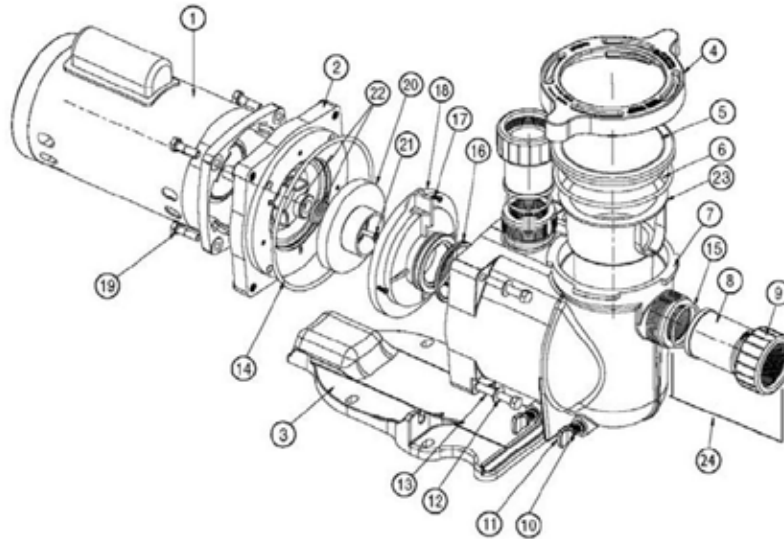
Note: When ordering replacement motor, give all information contained on motor name plate.

*This item, motor support P/N 355385 is required on 5/8 in. diameter motors.

**Items 2, 3b, 8a-1, 8b-1f, 8c-1, and 9, used on pumps built after November 1, 1994.

PARTS

Pentair SuperFlo Pump Replacement Parts



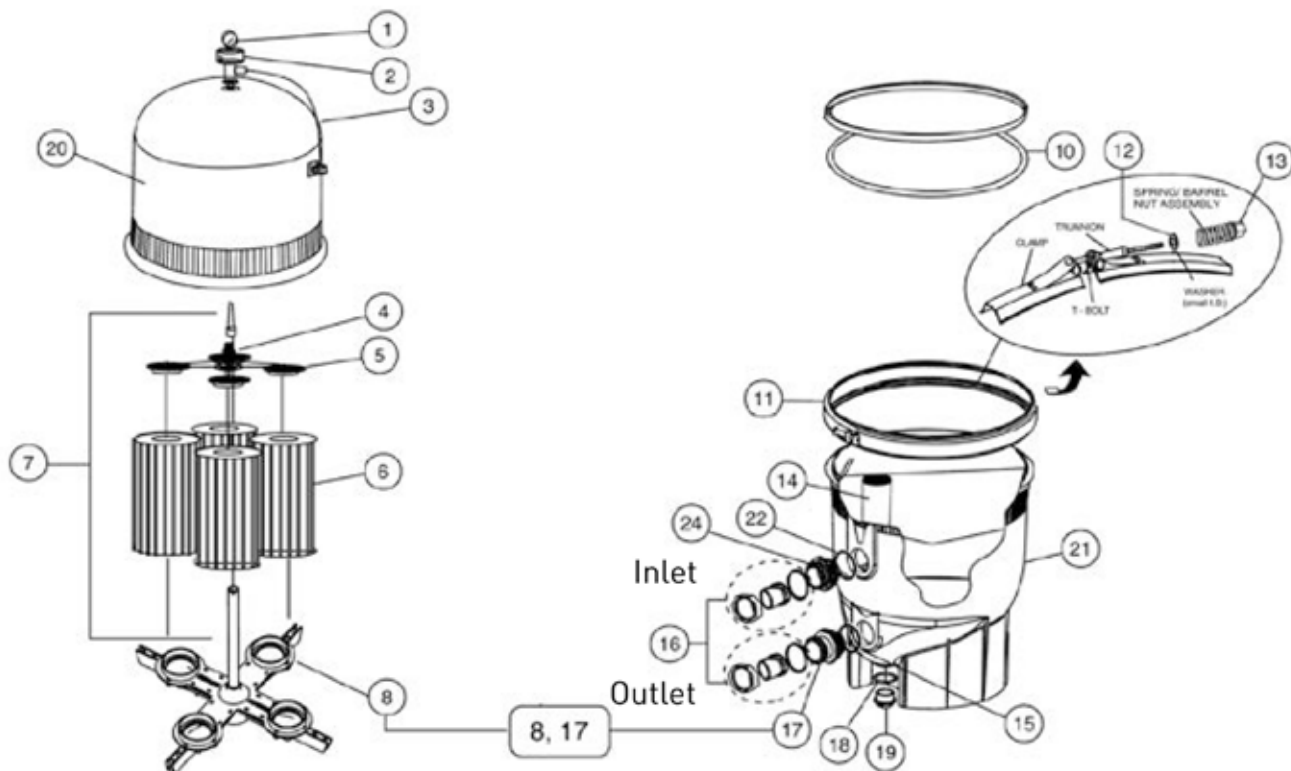
Ref #	Imperial No.	Part Number	Description
3	-	350094	Base
8	-	350093	Adapter, 2 req.
9	-	350092	Nut, 2 req.
10	150665	192115Z	O-Ring 112, .487 x .103 buna N 70, 2 req. - 1/16 in. x 1/2 in. i.d.
12	152733	355621	Screw, 3/4-16 x 2-1/4 Hex hd, 4 req.
13	-	072184	Washer, 3/8 in. SS, 4 req.
14	152717	355619Z	O-ring, seal bracket (valve adptr., 3/16 in. x 7-3/4 in. i.d.)
16	152727	355030Z	Seal, diffuser
17	152726	355334Z	Screw, No. 8-32 hex wsh. hd., 3 req.
18	152725	355617	Diffuser, 1/2F, 3/4A and 3/4F, 1A
18	152725	355617	Diffuser, 1/2F, 3/4A and 3/4F, 1A
18	152725	355617	Diffuser, 1/2F, 3/4A and 3/4F, 1A
18	152724	355618	Diffuser, 1F, 1-1/2A Pinnacle, 1-1/2 HP & 2 HP
18	152724	355618	Diffuser, 1F, 1-1/2A Pinnacle, 1-1/2 HP & 2 HP
18	-	350170	Diffuser, 2-1/2 HP
19	-	354290	Hex head Screw, 3/8-16, 4 req.
20	152720	355043	Impeller 1/2F, 3/4A
20	152720	355043	Impeller 1/2F, 3/4A
20	152721	355067	Impeller 3/4F, 1A
20	152722	355074	Impeller 1F, 1 1/2A
20	152454	355086	Impeller, 1-1/2F, 2A
20	152455	355093	Impeller, 2F, 2-1/2A
21	152723	355389	Screw, impeller locking
22	152744	354545S	Mechanical seal, 5/8 in. PS 200
23	152730	355667	Basket, large

Not Shown

Ref #	Imperial No.	Part Number	Description
-	-	79129900	2-Speed Toggle Switch

PARTS

Pentair Clean And Clear Plus Filters Replacement Parts for FiberGlass Reinforced PolyPropylene Tank



Ref #	Imperial No.	Part Number	Description
1	DUMMY	190058	Gauge, pressure, 1/4 in.
2	AP98209800	98209800	High Flow manual air relief valve, HFMARV
4	-	178616	Spring, compression**
5	-	170026	Manifold, top assembly, 240 sq. ft.**
5	-	170027	Manifold, top assembly, 320, 420 And 520 sq. ft.**
6	-	R173572	Cartridge element, 240 sq. ft., 4 req.
6	-	R173578	Cartridge, 520 sq. ft., 4 req.**
7	-	170030	Air bleed tube assembly, 240 sq. ft.
7	-	55028500	Air bleed tube assembly, 360, 420 sq. ft.*
7	-	55028400	Air bleed tube assembly, 500 sq. ft.*
7	-	178583	Air bleed tube assembly, 520 sq. ft.**
10	AP39010200	39010200Z	O-ring, tank clamp, 470 O.D.
12	-	53006300Z	Washer, .325 i.d. for filter clamp
12	152690	195610	Washer, .325 i.d. for filter clamp
14	-	190039	Baffle, bulkhead assembly**
18	AP86300500	86300500	Drain cap gasket
18	AP51005000	51005000	O-ring for drain plug
18	152428	191474	O-ring for drain plug
19	-	51516200	Drain cap*
19	AP86202000	86202000	Plug, 1-1/2 in. drain, w/O-ring
20	-	170023	Tank, lid assembly, 240 sq. ft.
20	-	178550	Tank, lid assembly, 500 sq. ft.*
20	-	178582	Tank, lid assembly, 520 sq. ft.**
22	152681	192320	O-ring 2-137 Buna N 70SH
15	AP86006900	86006900	O-ring, bulkhead
22	AP86006900	86006900	O-ring, bulkhead
23	-	195339	SS back-up ring*****
24	152682	194801	Bulkhead, 2 in.

PARTS

Pentair Clean And Clear Plus Filters Replacement Parts for FiberGlass Reinforced PolyPropylene Tank

Not Shown

Ref #	Imperial No.	Part Number	Description
-	-	192019	Drain plug Wrench
-	-	010126	Filter lid opener tool
-	-	178708	Parts Bag - includes warranty card, instructions, and items 1,2 and 16

*Used on filters manufactured before 11/98.

**Used on filters manufactured after 11/98.

***Used on filters manufactured between 11/98 thru 12/00.

****Used on filters manufactured after 12/00.

*****Used on filters manufactured after 3/03.

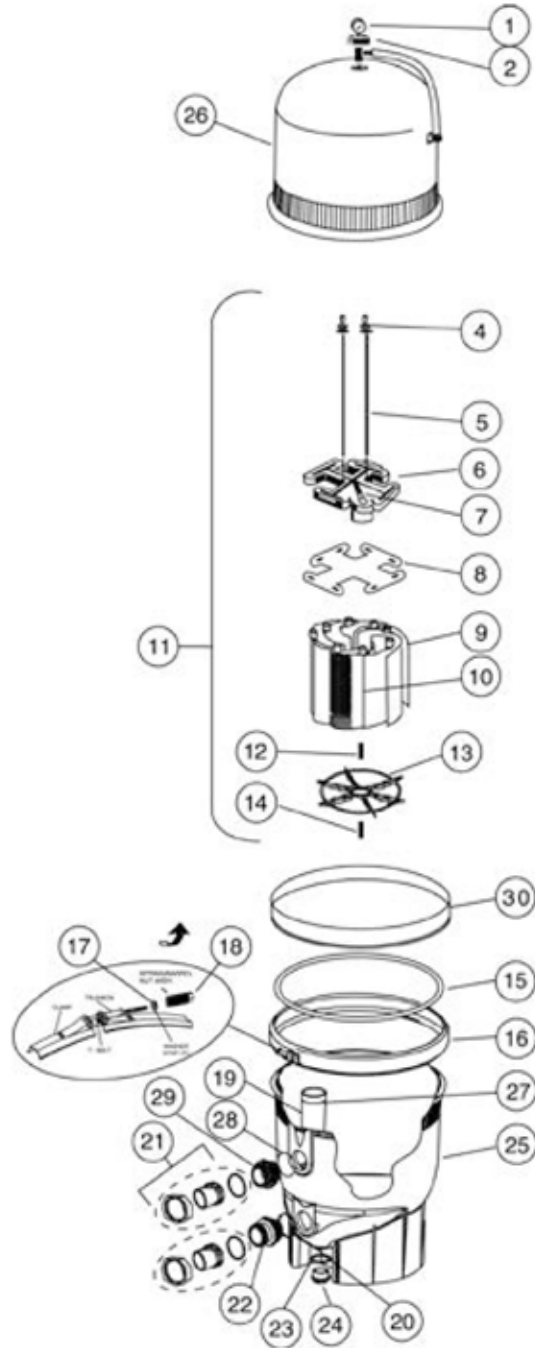
‡ Used on filters manufactured between 3/03, thru 7/1/03.

‡‡ Used on filters manufactured after 10/04.

‡‡‡ Used on filters manufactured after 5/21/05.

PARTS

Pentair FNS Plus Filters Replacement Parts for Vertical Grid Filters



Ref #	Imperial No.	Part Number	Description
2	AP98209800	98209800	High Flow manual air relief valve, HFMARV
4	-	071404Z	Wing nut
5	-	59000800	Tie rod, 24 sq. ft. filter
5	-	59001500	Tie rod, 36 sq. ft. filter
5	AP59002100	59002100	Tie rod, 48 sq. ft. filter
5	AP59002700	59002700	Tie rod, 60 sq. ft. filter
8	AP98725800	98725800	Template, filter
9	-	59001100	Grid, lg. 12 in., 24 sq. ft. filter, 7 req.
9	-	59001800	Grid, lg. 18 in., 36 sq. ft. filter, 7 req.

PARTS

Pentair FNS Plus Filters Replacement Parts for Vertical Grid Filters

Ref #	Imperial No.	Part Number	Description
9	-	59002400	Grid, lg. 24 in., 48 sq. ft. filter, 7 req.
9	-	59003000	Grid, lg. 30 in., 60 sq. ft. filter, 7 req.
10	-	59001000	Grid, sm. 12 in., 24 sq. ft. filter, 1 req.
10	-	59002300	Grid, sm. 24 in., 48 sq. ft. filter, 1 req.
10	-	59002900	Grid, sm. 30 in., 60 sq. ft. filter, 1 req.
10	-	59001700	Grid, sm. 18 in., 36 sq. ft. filter, 1 req.
11	-	59023800	Assembly, element grid, complete, 24 sq. ft. filter
11	-	59023400	Assembly, element grid, complete, 48 sq. ft. filter
11	156478	59023300	Assy., Element Grid, Complete, 60 sq. ft. Filter
12	152432	98211400	Nut, 1/4 - 20, plated brass
13	-	59000500	Spider, grid locator
14	156471	58001000	Nut, lock, hex, nylon
15	AP39010200	39010200Z	O-ring, tank clamp, 470 O.D.
17	152690	195610	Washer, .325 i.d. for filter clamp
19	-	190034	Assembly, standpipe, outlet, 24 sq. ft. filter, 4-3/8 in. tall
19	-	190035	Assembly, standpipe, outlet, 36 sq. ft. filter, 10-3/8 in. tall
19	156458	190036	Assembly, standpipe, outlet, 48 sq. ft. filter, 16-3/8 in. tall
19	-	190037	Assembly, standpipe, outlet, 60 sq. ft. filter, 22-3/8 in. tall
21	150670	271096	1-1/2 in. & 2 in. Slip adapter kit
23	AP51005000	51005000	O-ring for drain plug
23	152428	191474	O-ring for drain plug
24	AP86202000	86202000	Plug, 1-1/2 in. drain, w/O-ring
25	-	170015	Tank bottom, assembly, 24 sq. ft. filter
25	-	170016	Tank bottom, assembly, 36 sq. ft. filter
25	-	170017	Tank bottom, assembly, 48 sq. ft. filter
25	-	170018	Tank bottom, assembly, 60 sq. ft. filter
26	-	170019	Tank lid, 24 sq. ft. filter
26	-	170020	Tank lid, 36 sq. ft. filter
26	-	170021	Tank lid, 48 sq. ft. filter
26	-	170022	Tank lid, 60 sq. ft. filter
27	156473	59000600	O-ring, bulkhead
28	152681	192320	O-ring 2-137 Buna N 70SH
20	AP86006900	86006900	O-ring, bulkhead
28	AP86006900	86006900	O-ring, bulkhead
30	-	195339	SS back-up ring****

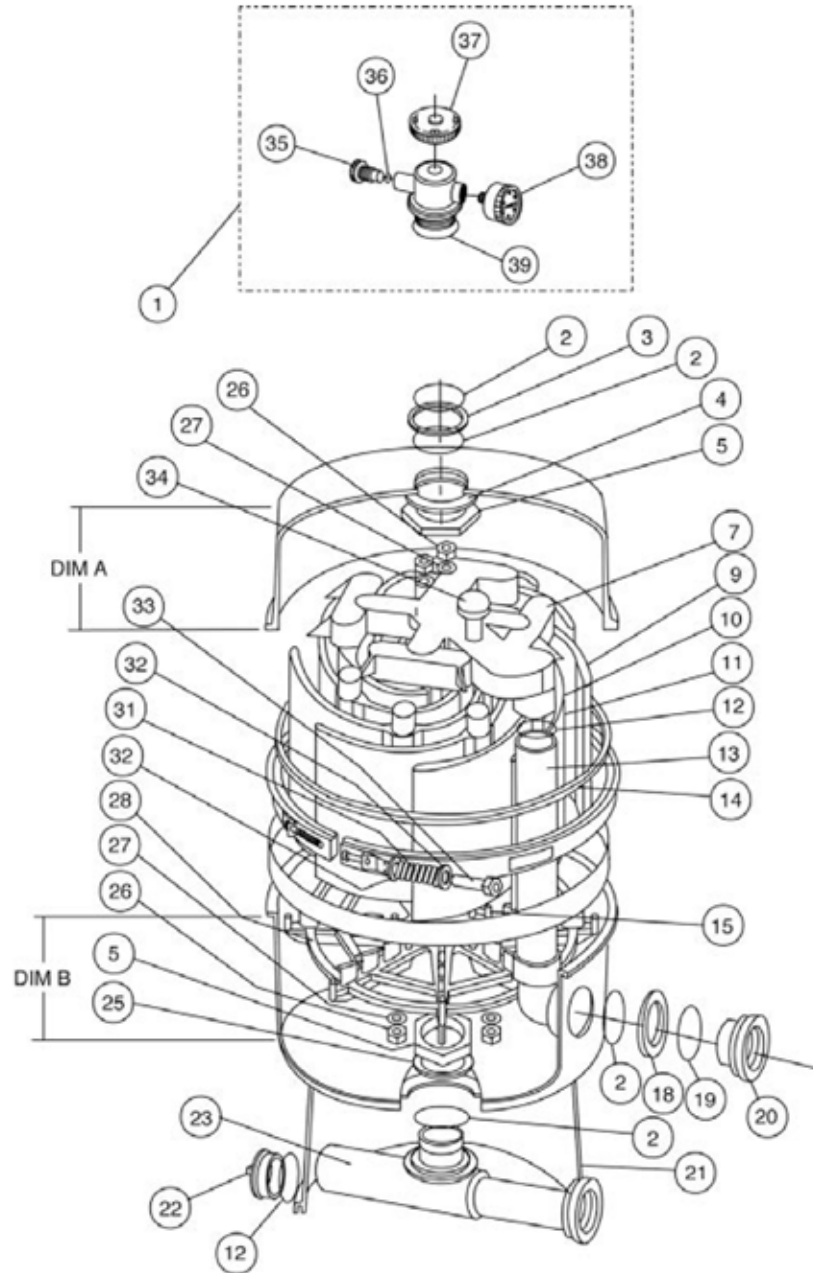
Not Shown

Ref #	Imperial No.	Part Number	Description
-	-	192019	Wrench, drain plug
-	-	196019	Parts Bag (Includes warranty card, instruction book, and items 1 and 2)

- *Used on filters manufactured before 10/04.
- **Used on filters manufactured after 10/04.
- ***Used on filters manufactured after 5/21/05.
- ****Used on filters manufactured after 2/03.

PARTS

Pentair Nautilus Filters Replacement Parts for Stainless Steel Filters



Ref #	Imperial No.	Part Number	Description
3	152712	273502	Spacer, top black
4	152637	273505	FNS spacer
5	150679	154412	Locknut, 2 in. internal, 2 req.
9	-	59001000	Grid, partial NS24 12 in., 1 req.
9	-	59001700	Grid, partial NS36 18 in., 1 req.
9	-	59002300	Grid, partial NS48 24 in., 1 req.
9	-	59002900	Grid, partial NS60 30 in., 1 req.
9	-	59003500	Grid, partial NS72 36 in., 1 req.
10	-	59001100	Grid, full NS24 12 in., 7 req.
10	-	59001800	Grid, full NS36 18 in., 7 req.
10	-	59002400	Grid, full NS48 24 in., 7 req.
10	-	59003000	Grid, full NS60 30 in., 7 req.

PARTS

Pentair Nautilus Filters Replacement Parts for Stainless Steel Filters

Ref #	Imperial No.	Part Number	Description
10	-	59003600	Grid, full NS72 36 in., 7 req.
11	-	192325	Grid assembly, complete NS36*
11	-	192326	Grid assembly, complete NS48*
11	-	192327	Grid assembly, complete NS60*
11	-	195060	Grid assembly, complete NS72*
11	-	192340	Grid pack w/ O-ring NS24**
11	-	192341	Grid pack w/ O-ring NS36**
11	-	192342	Grid pack w/ O-ring NS48**
11	-	192343	Grid pack w/ O-ring NS60**
11	-	192344	Grid pack w/ O-ring NS72**
12	152654	192323	O-ring
13	-	194981	Piping assembly, upper NS24
13	-	194983	Piping assembly, upper NS48
13	-	194984	Piping assembly, upper NS60
13	-	194985	Piping assembly, upper NS72
14	-	152127	O-ring, 18 in dia Tank
15	-	192183	Rod, 5/16 in. x 21-1/2 in. manifold rtnr. NS 36, 2 req.
15	152664	192184	Rod, 5/16 in. x 27-1/2 in. manifold rtnr. NS 48, 2 req.
15	-	192185	Rod, 5/16 in. x 33-1/2 in. manifold rtnr. NS 60, 2 req.
15	-	195002	Rod, 5/16 in. x 39-1/2 in. manifold rtnr. NS 72, 2 req.
18	152680	194893	Spacer, 2 in. external
19	AP86006900	86006900	O-ring, bulkhead
20	152682	194801	Bulkhead, 2 in.
21	-	154722	Foot NS/PF
22	152684	195829	Plug, 2 in. drain
25	-	154747	Spacer, 2.8 in. dia. x 1/4 in. pvc
26	150713	192013	Nut, 5/16 in., 16 SS, 4 req.
27	-	072173	Washer, 5/16 in. SS flat, 4 req.
28	-	192194	Retainer, grid
31	-	194988Z	Spring, NS 2 req.
32	-	53004800Z	Washer, .890 o.d., .430 i.d., .164, 2 req.
34	152707	172855	Strainer, air vent 3/4 in.
35	152709	273512	Air bleeder with O-ring
36	152710	273513	O-ring bleeder
38	-	190059	Gauge, back mount pressure
2	152631	274494	Sand drain O-ring TA100 (used on TR100 & TR140) - 2 in. bulkhead O-ring, 4 req. for Nautilus Filters
39	152631	274494	Sand drain O-ring TA100 (used on TR100 & TR140) - 2 in. bulkhead O-ring, 4 req. for Nautilus Filters

Not Shown

Ref #	Imperial No.	Part Number	Description
-	-	181011	Band assembly, complete*****
-	-	53006300Z	Washer, .890 o.d., .320 i.d., .164, 2 req.

*Complete grid assembly consists of items 7, 9, 10, 15, 27, 28 and 35 in correct quantities as shown.

**Grid pack consists of items 9, 10, and 12 in correct quantities as shown.

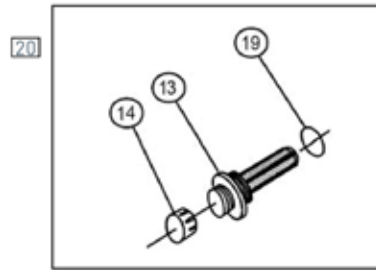
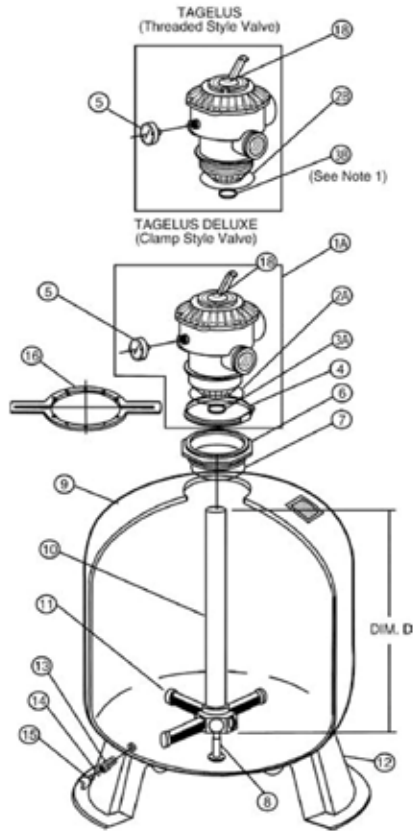
***Used on filters manufactured after Dec. 1, 1991.

****Filters manufactured before December 16, 1991 utilize a different tank top and bottom that is not interchangeable w/current units. There are no replacement Part Numbers for filters manufactured before December 16, 1991.

*****Filters manufactured before April 1, 1992 contain a different clamp band assembly Replacement clamp band components are no longer available for these units. Replace old obsolete non-spring design clamp band w/new spring design clamp band to upgrade your filters if any components are damaged. Spring design clamp bands do not require use of a torque wrench and simplify installation of the clamp. Do not attempt to interchange components between the different clamp band designs.

PARTS

Pentair Tagelus Filters Replacement Parts for FiberGlass Filters



Detail A., after 12/1/91
6 in. btr. Thread.



Detail B., before 12/1/91
6 in. "V" Thread.

Ref #	Imperial No.	Part Number	Description
1A	149454	262506	Valve, 1-1/2 in. 6-way clamp style - Sand Dollar 60, 80 and Tagelus 30-60
1A	152603	261185	Valve, 2 in. 6-way clamp style
1A	-	262525	Valve 2 in. for TA60 with unions
1B	150759	261124	Valve, 1-1/2 in. 6-way "V" thread - Tagelus 30-60
2A	151160	272541	O-ring valve body, 3/16 in. x 4-3/4 in. i.d.
2A	151161	275333	O-ring valve body, 3/16 in. x 6-1/2 in. i.d.
2B	151197	154493	O-ring valve body, 157 in. x 5.75 in. i.d. - closure, 6 in., white
3A	152467	355330	O-ring standup, strainer pot flange, 1/8 in. x 2-3/8 in. i.d.
3B	-	155064	O-ring standup, 1/8 in. x 1-7/8 in. i.d. °,°,°,°,°,°,°,°,°,°,°,°,°,°,°
4	151158	152165	Clamp, 6-1/2 in. dia. SS, plastic
4	151178	152130	Clamp, 8.35 in. dia. †,††
5	-	190059	Gauge back mount pressure
6	151179	154555	Adapter, 6 in. btr. thread
6	151180	155225	Adapter, 6 in. "V" thread
7	150642	154494	O-ring valve adptr., 1/8 in. x 6-1/4 in. i.d.
7	152717	355619Z	O-ring, seal bracket (valve adptr., 3/16 in. x 7-3/4 in. i.d.)
9	-	155276	Tank And ft. assembly w/ valve adptr. •,*,##,###
9	-	155279	Tank And ft. assembly w/ valve adptr. •••,*,##,###
9	-	155269	Tank And ft. assembly w/ valve adptr. •••••,*,##,###
9	-	155324	Tank And ft. assembly w/ valve adptr. †,††,*,##,###
9	-	155342	Tank And ft. assembly btr. Thread style °°°°°,*,##,###
9	-	155343	Tank And ft. assembly btr. Thread style ••,*,###,##
9	-	155358	Tank And ft. assembly btr. Thread style •••••,*,###,##
10	-	155060	Piping assembly, (dim. D = 12-7/8 in.) °,°°
10	151192	153455	Piping assembly, (dim. D = 14-7/8 in.)
10	-	155061	Piping assembly, (dim. D = 17-3/4 in.) °°°°°,•
10	150763	155062	Piping assembly, (dim. D = 19-7/8 in.) - (SD40, dim D = 20-1/8 in.)
10	151193	155063	Piping assembly, (dim. D = 22-5/8 in.)

PARTS

Pentair Tagelus Filters Replacement Parts for FiberGlass Filters

Ref #	Imperial No.	Part Number	Description
10	-	155340	Piping assembly, less hub, (dim. D = 27-1/4 in.) †,††
10	151194	155323	Piping assembly, w/ hub, (dim. D = 27-1/4 in.)
10	-	155299	Piping assembly, w/ hub, w /1/4 turn lateral •••••,####
10	-	152237	Piping assembly, w/ hub, TA60 2 in.
11	150765	155007	Lateral, 5-11/32 in. long, 8 req.
11	150655	152290Z	Lateral, 6-11/16 in. long, 8 req.
11	150658	152202	Lateral, 9-1/8 in. long
11	-	150088	Lateral, ClearPro - 6 req
12	-	154926	Foot tank °°° °°°° °°°°°°,•,••,•••,••••,•••••
12	-	154596	Foot tank †,***
13	150661	154698	Spigot, 3/4 in. NPT sand drain
14	150665	192115Z	O-Ring 112, .487 x .103 buna N 70, 2 req. - 1/16 in. x 1/2 in. i.d.
15	150664	357161Z	Plug, 1/4 in. NPT drain
16	150680	154512	Wrench, 6-1/2 in. across flats
16	151196	151608	Wrench, 9 in. across flats ***
19	152631	274494	Sand drain O-ring TA100 (used on TR100 & TR140) - 2 in. bulkhead O-ring, 4 req. for Nautilus Filters
13	-	152220Z	Spigot, 2 in. NPT sand drain (Left-hand thread) †
20	-	152220Z	Drain assy for TA100 / TR100 / TR140

Not Shown

Ref #	Imperial No.	Part Number	Description
-	-	154402	Tape ft. mounting °, °° °°° °°°°°°,•,••,•••,••••,•••••
-	-	154407	Tape ft. mounting †,††
-	-	155051	Sand guide only †,††
-	-	272569	Union Kit for 2 in. Valve for TA 60D 2 Inches only

°TA 30 °°TA 30D °°°TA 35 °°°°TA 35D °°°°°TA 40 •TA 40D ••TA 50 •••TA 50D ••••TA 60 •••••TA 60D †TA 100 ††TA 100D

*Item 3a O-ring, standpipe is used on model TA100D Filters only. Item 3b O-ring, standpipe is used on Tagelus Filters models TA30, 40, 50, 60, manufactured before April, 1993. Item 3b is not used on Tagelus Clamp Filter models TA30D, 35D, 40D, 50D, 60D or on any Tagelus models manufactured after April, 1993.

**Tagelus Clamp Filter models tank & ft. assembly have valve adpnr., Item 6 factory installed.

***Replacement of tank ft. requires the use of mounting tape. See part number listed.

****Lubricate O-ring liberally w/silicone lubricant and tighten to following spec: TA30D, 35D, 40D, 50D, 60D. Hand tight plus ¼ turn min.

*****Tagelus Filter models TA30, 35, 40, 50, 60 manufactured after Nov. 1, 1991 were manufactured w/a btr. thread top opening and utilize a btr. style valve which is black in color. A change was made to the port arrangement in April, 1993 which will require that minor changes be made to the valve plumbing connections when replacing valves on filters manufactured between Nov. 1991 and Mar. 1993. DO NOT ATTEMPT TO INTERCHANGE THREAD TYPES.

Tagelus Filter models TA30, 40, 50, 60 manufactured before Nov. 1, 1991 were manufactured w/a "V" thread style valve that is white or brown in color.

These valves may be replaced only w/"V" thread style valve P/N 261124, see Detail B. DO NOT ATTEMPT TO INTERCHANGE THREAD TYPES.

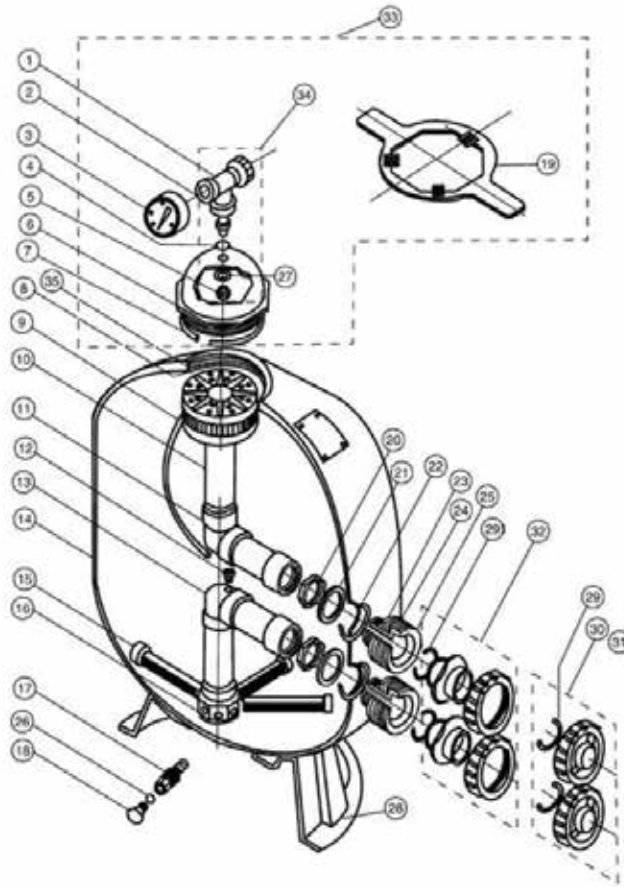
Tagelus Clamp Filter models TA30D, 35D, 40D, 50D, 60D manufactured after Nov. 1, 1991 were manufactured w/a btr. thread top opening and utilize a btr. thread valve adpnr. P/N 154555, see Detail A. DO NOT ATTEMPT TO INTERCHANGE THREAD TYPES.

Tagelus Clamp Filter models TA30D, 40D, 50D, 60D manufactured before Nov. 1, 1991 were manufactured w/a "V" thread top opening and utilize a "V" thread valve adpnr. P/N 155225, see Detail B. DO NOT ATTEMPT TO INTERCHANGE THREAD TYPES.

####TA60D Filters manufactured after June 1, 2007 have new ¼ turn laterals.

PARTS

Pentair Triton II Filters Replacement Parts for FiberGlass Filters



Detail A after 12/1/91
6 in. btr. Thread.



Detail B before 12/1/91
6 in. "V" Thread.

Ref #	Imperial No.	Part Number	Description
1	150683	154689Z	Air bleeder/tee assembly
2	150628	154700	Adapter, brass air bleeder
3	-	190059	Gauge, back mount pressure###
4	150629	154661	O-ring, air bleeder adapter
5	150630	154664	Nut, 3/8 in., 16 SS
6	152605	154570	Closure 6 in. btr. thread, see Detail A
6	150631	154559	Closure 6 in. "V" thread, black, see Detail B
7	151197	154493	O-ring valve body, 157 in. x 5.75 in. i.d. - closure, 6 in., white
8	152606	154578	Strainer air relief, 1/4 in.
9	150634	154435	Tube air relief TR40
9	-	150039	Tube air relief TR40••••
9	150635	154436	Tube air relief TR50/60
9	-	150040	Tube air relief TR50/60••••
9	-	154437	Tube air relief TR100•••
9	-	150041	Tube air relief TR100••••
9	150637	154438	Tube air relief TR140
10	-	154598	Diffuser assembly TR40/50
10	150639	154599	Diffuser assembly TR60
10	-	154462	Diffuser assembly TR100
10	-	154906	Diffuser assembly TR140
11	-	154803	Piping assembly upper TR40
11	152608	156814	Piping assembly upper TR50
11	150643	154533	Piping assembly upper TR60
11	150644	154426	Piping assembly upper TR100
11	-	154500	Piping assembly upper TR140
12	-	154441	Connector air relief tube•••
13	-	154801	Piping assembly lower TR40
13	-	156816	Piping assembly lower TR50
13	152612	154805	Piping assembly lower TR60
13	-	155284	Piping assembly lower TR60####

PARTS

Pentair Triton II Filters Replacement Parts for FiberGlass Filters

Ref #	Imperial No.	Part Number	Description
13	152613	154807	Piping assembly lower TR/PF100
13	150650	154489	Piping assembly lower TR140
14	-	154636	Tank And ft. assembly TR40, 6 in. btr. thd., Almond, Detail A
14	-	154637	Tank And ft. assembly TR50, 6 in. btr. thd., Almond, Detail A
14	-	154638	Tank And ft. assembly TR60, 6 in. btr. thd., Almond, Detail A
14	-	154639	Tank And ft. assembly TR100, 8-1/2 in. btr. thd., Almond, Detail A
14	-	154640	Tank And ft. assembly TR140, 8-1/2 in. btr. thd., Almond, Detail A
14	-	156224	Tank And ft. assembly TR100HD btr. Thread, black HD
15	150655	152290Z	Lateral, 6-11/16 in. long, 8 req.
15	150658	152202	Lateral, 9-1/8 in. long
15	150659	154540Z	Lateral, 12 in. L TR140, 8 req.
15	-	150088	Lateral, ClearPro
16	150681	154763	Hub lateral TR40/50/60
16	150682	154453	Hub lateral TR100/140
17	150661	154698	Spigot, 3/4 in. NPT sand drain
18	150664	357161Z	Plug, 1/4 in. NPT drain
18	-	154481	Plug, 1/4 in. drain plug, black
19	150680	154512	Wrench, 6-1/2 in. across flats
19	152619	154510	Wrench closure aluminum, 6 in.
20	150679	154412	Locknut, 2 in. internal, 2 req.
21	150678	154416	Spacer, 2 in. internal, 2 req.
22	152620	154492	O-ring, 2 in. bulkhead, 2 req.
23	150676	154408	Spacer, 2 in. external, 2 req.
24	150675	154538	Gasket, 2 in. bulkhead, 2 req.
25	150674	154405	Bulkhead, 2 in., 2 req.
26	150665	192115Z	O-Ring 112, .487 x .103 buna N 70, 2 req. - 1/16 in. x 1/2 in. i.d.
27	152621	154418	Washer, 3/8 in. SS
28	-	154926	Foot, 16 in. dia., TR40/50 • •, #
28	152623	154520	Foot, 19 in. dia., TR60
28	-	154596	Foot, 24 in. Dia., TR100/140 • •, #
29	152631	274494	Sand drain O-ring TA100 (used on TR100 & TR140) - 2 in. bulkhead O-ring, 4 req. for Nautilus Filters
30	150666	271092	2 in. Threaded adapter kit
31	150667	271094	1-1/2 in. Thread adapter kit
32	150670	271096	1-1/2 in. & 2 in. Slip adapter kit
33	-	155738	Kit closure, 8-1/2 in HD
33	152632	154641	Kit closure, 6 in. btr. thread, black, Detail A
33	152633	154697	Kit closure, 6 in. "V" thread, tan, Detail B
34	152634	154687	Fitting package complete
35	-	154611	Spacer air vent strainer, 3-3/4 in. TR40
35	-	154612	Spacer air vent strainer, 4-1/2 in., TR50/60
35	-	154613	Spacer air vent strainer, 5-1/2 in., TR100
35	152630	154614	Spacer air vent strainer, 5 in. TR140

Not Shown

Ref #	Imperial No.	Part Number	Description
-	-	154402	Tape ft. mounting TR40/50/60, 3 req.
-	-	154407	Tape ft. mounting TR100/140, 3 req.
-	150685	151602	Bulkhead wrench, 2 in.
-	-	151092	Aluminum wrench, 8-1/2 in.
-	-	152220Z	Sand drain, 2 in. (used on TR100 and TR140) (Left-hand thread)
-	152631	274494	Sand drain O-ring TA100 (used on TR100 & TR140) - 2 in. bulkhead O-ring, 4 req. for Nautilus Filters

NOTE: Filters manufactured after Dec. 1, 1991 utilize a 6 in. btr. thread in the filter tank top opening and on the closure, see Detail A

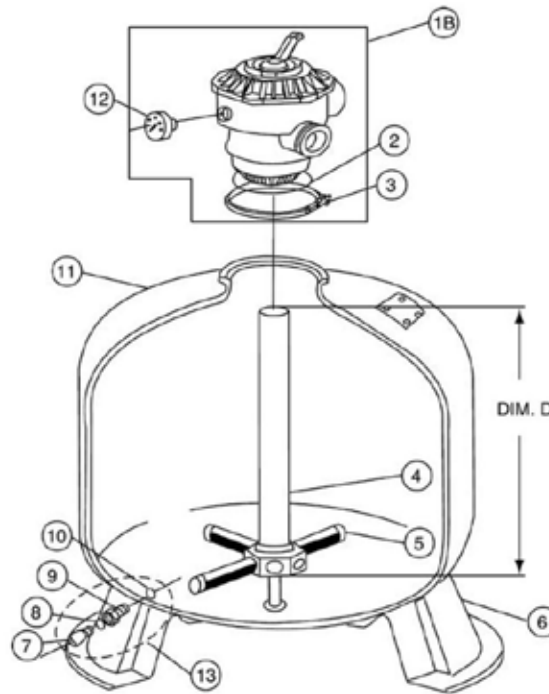
NOTE: Filters manufactured before Dec. 1, 1991 utilize a 6 in. "V" type thread, see Detail B

NOTE: 6 in. closures in Detail A and B are NOT interchangeable

- Used on filters manufactured before 2-89
- Used on filters manufactured after 2-89
- All filters manufactured before 11-1-99
- Used on filters manufactured after 11-1-99
- Used on filters manufactured before 5-85
- *Used on filters manufactured after 5-85
- **Used on filters manufactured before 3-83
- ***Used on filters manufactured after 3-83

PARTS

Pentair Sand Dollar Filters Replacement Parts for Blow Molded Filters



Pentair Sand Dollar Filters Replacement Parts for Blow Molded Filters

Ref #	Imperial No.	Part Number	Description
1B	149454	262506	Valve, 1-1/2 in. 6-way clamp style - Sand Dollar 60, 80 and Tagelus 30-60
1B	-	263085	Valve 2 in.
1B	-	262525	Valve 2 in. with unions
2	151160	272541	O-ring valve body, 3/16 in. x 4-3/4 in. i.d.
3	151158	152165	Clamp, 6-1/2 in. dia. SS, plastic
4	-	155504	Piping assembly SD35, dim D = 16 in.
4	150763	155062	Piping assembly, (dim. D = 19-7/8 in.) - (SD40, dim D = 20-1/8 in.)
4	-	152000	Pipe assembly, SD70
4	-	152238	Pipe assembly SD80 2 in.
5	150765	155007	Lateral, 5-11/32 in. long, 8 req.
5	150655	152290Z	Lateral, 6-11/16 in. long, 8 req.
6	-	154926	Foot, SD35
6	-	150088	Lateral, ClearPro - 6 req
6	152623	154520	Foot, 19 in. dia., TR60
7	-	154699	Plug, 1/4 in. NPT drain
9	-	154711	Drain
11	-	145339	Tank with drain SD35, almond
11	-	145341	Tank with drain SD40, almond
11	-	145343	Tank with drain SD60, almond
11	-	145368	Tank with drain SD70, almond
11	-	145334	Tank with drain SD80, almond
12	-	190059	Gauge, pressure
13	-	150053	Drain plug assembly**

Not Shown

Ref #	Imperial No.	Part Number	Description
-	-	272569	Kit Union for 2 in. Valve

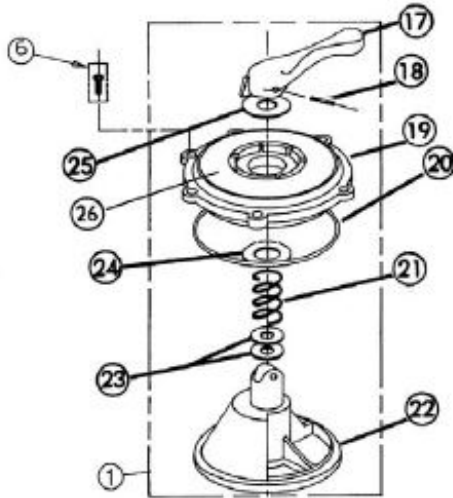
*Used on filters manufactured before 2/02.

**Includes items 7 through 10.

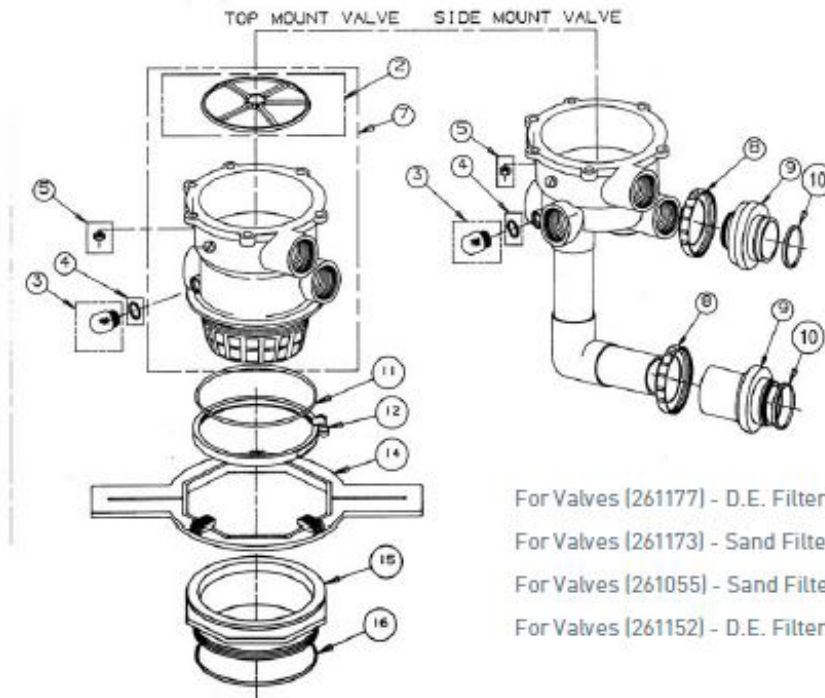
***Filters manufactured after 10/04.

PARTS

Pentair Top / Side Mount Valves Replacement Parts for PacFab MultiPort Valves



For use on TR, TA, NS
or FNS filters



For Valves [261177] - D.E. Filters
For Valves [261173] - Sand Filters
For Valves [261055] - Sand Filters
For Valves [261152] - D.E. Filters

For Valves [261124, 261185]

PARTS

Pentair Top / Side Mount Valves Replacement Parts for PacFab MultiPort Valves

Ref #	Imperial No.	Part Number	Description
1	152850	270068	Top valve assy. 1-1/2 in.
1	152830	270067	Top valve assy. 2 in.
2	152851	271104	Gasket - diverter, 1-1/2 in.
2	152831	271148Z	Gasket - diverter, 2 in.
3	152824	272550	Sight glass w/ vacuum projector
4	152826	271106	Gasket - sight glass
6	152833	152168	Screw - M6 x 30mm s/s, 6 req.
7	-	271145	Body - replacement w/ diffuser, 1-1/2 in
8	150672	274407	Nut - bulkhead adapter, 2 req.
9	152835	274404	Adapter - valve, slip 1-1/2 in.
9	-	274651	Adapter - valve, threaded 1-1/2 in
9	150669	274556	Adapter - valve thread, 2 in.
10	152631	274494	Sand drain O-ring TA100 (used on TR100 & TR140) - 2 in. bulkhead O-ring, 4 req. for Nautilus Filters
11	151160	272541	O-ring valve body, 3/16 in. x 4-3/4 in. i.d.
11	151161	275333	O-ring valve body, 3/16 in. x 6-1/2 in. i.d.
12	151158	152165	Clamp, 6-1/2 in. dia. SS, plastic
12	151178	152130	Band assy. - valve, 2 in.
14	150680	154512	Wrench, 6-1/2 in. across flats
14	151196	151608	Wrench - adapter flange
15	151180	155225	Adapter, 6 in. "V" thread
15	151179	154555	Adapter, 6 in. btr. thread
16	151197	154493	O-ring valve body, 157 in. x 5.75 in. i.d. - closure, 6 in., white
16	-	152501	O-ring - adapter, 2 in
17	152837	271156	Handle
18	152838	271164	Pin, handle
19	-	271158	Valve top, white, 1-1/2 in
19	-	271165	Valve top, black, 1-1/2 in
19	152839	271166	Top valve cover, blk, 2 in.
19	152840	271169	Top valve cover, blk, 2 in.
20	152860	271103	O-ring, valve top, 1-1/2 in.
20	152841	271151	O-ring, valve top, 2 in.
21	152842	271161	Valve Spring
22	152861	271163	Valve diffuser, 1-1/2 in.
22	152843	271168	Valve diffuser, 2 in.
23	152414	191479	O-ring, stem, 2 req.
24	152845	271160	Washer, valve spring
25	152846	271157	Washer, handle
26	-	273208	Label 2 in. Sand (261055)
26	-	273207	Label 2 in D.E. (261152)
26	-	271140	Label 1.5 in Sand (261173)
26	-	271141	Label 1.5 in D.E. (261177)
26	-	272035	Label 1.5 in. Sand (261124)
26	-	273211	Label 2 in. Sand (261185)

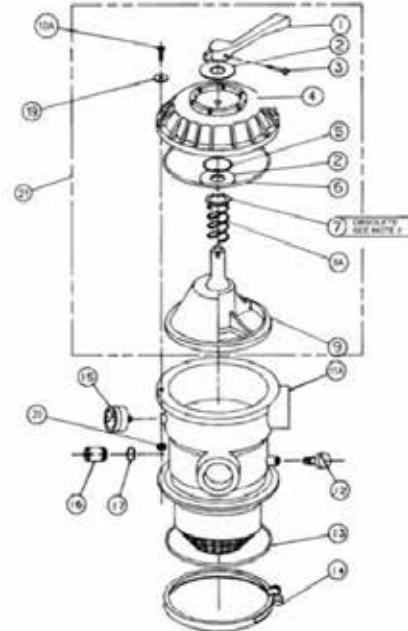
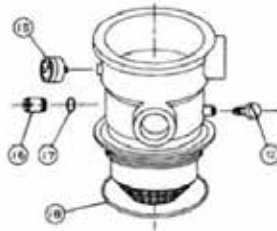
PARTS

Pentair 6-Way 1 1/2" Top Mount Hi-Flow Valves Replacement Parts for PacFab MultiPort Models: 262504,262505 And 262505

NOTE

- 1 VALVES MANUFACTURED BEFORE MARCH 1, 1993 DO NOT CONTAIN ITEM 16 SIGHT GLASS OR ITEM 17 SIGHT GLASS GASKET.
- 2 CLAMP STYLE VALVES MANUFACTURED BEFORE MARCH 1, 1993 CONTAIN A DIFFERENT AIR BLEEDER WITH O-RING P/N 272515. THIS PART IS NOT INTERCHANGEABLE WITH P/N 273512. THREADED VALVES MANUFACTURED BEFORE MARCH 1, 1993 DO NOT CONTAIN AN AIR BLEEDER WITH O-RING.
- 3 ITEM 8A USED ON VALVES MANUFACTURED AFTER MAY 1, 1992 AND REPLACES BOTH ITEMS 7 AND 8.
- 4 ITEMS 10A, 19 AND 20 ARE USED ON VALVES MANUFACTURED AFTER APRIL 15, 1994 AND REPLACE ITEM 10.

For (261130) 6 in.
Buttress Style Valve For
TA Filters

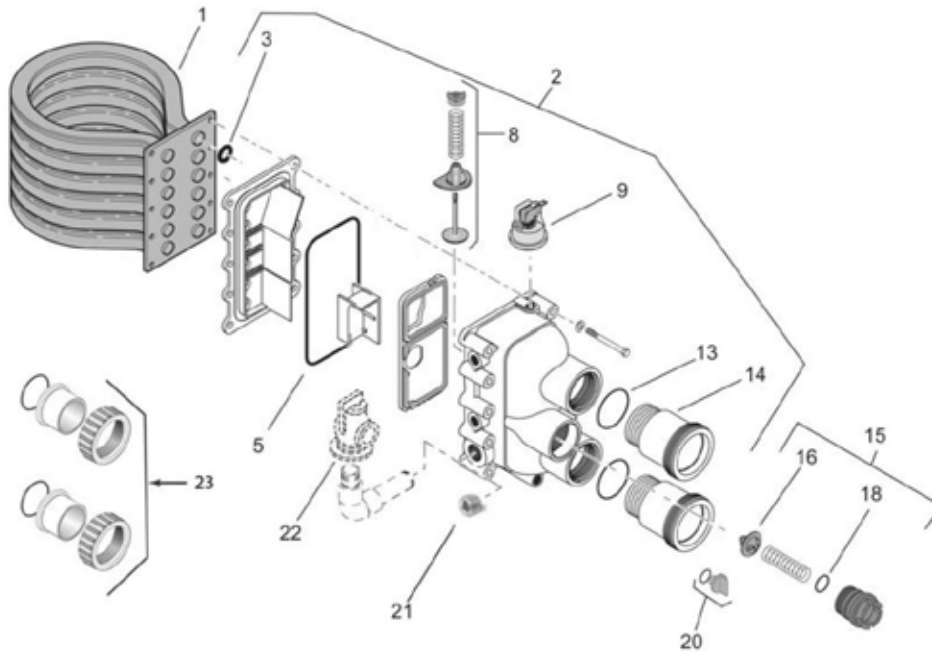


For (262504) (262505)(262506) Clamp Style Valve For TA-D Filters

Ref #	Imperial No.	Part Number	Description
1	152810	272520	Handle
2	152811	272505	Washer plastic, 2 req.
3	152812	272405	Screw - handle
5	152814	272511	O-ring - diverter shaft
6	152815	354053	O-ring - valve top
7	152816	272401	Washer - s/s
8	152817	272400	Spring - comp. 100 lb. 1-13/16 o.d.
8A	152818	272535	Spring - comp. 100 lb. 1-3/8 o.d.
9	152819	272512	Diverter w/gasket
10	152749	354541	Screw # 10-24 hex pan head, 6 req.
11	152821	272530	Valve body w/diffuser - clamp style
12	152709	273512	Air bleeder with O-ring
13	151160	272541	O-ring valve body, 3/16 in. x 4-3/4 in. i.d.
14	151158	152165	Clamp, 6-1/2 in. dia. SS, plastic
15	-	190059	Gauge, pressure
16	152824	272550	Sight glass w/ vacuum projector
17	152826	271106	Gasket - sight glass
18	151197	154493	O-ring valve body, 157 in. x 5.75 in. i.d. - closure, 6 in., white
19	-	272555	Washer - 9/16 s/s, 6 req ••••
20	-	272554	Nut - # 10-24 serrated flange s/s, 6 req ••••

PARTS

Pentair MasterTemp Heater - Water System Replacement Parts



Ref #	Imperial No.	Part Number	Description
1	-	77707-0232	Tube Sheet Coil Assembly kit (Includes Item No. 3) Models 175NA, 175LP, 200NA, 200LP
1	-	474058	Tube Sheet Coil Assembly kit (Includes Item No. 3) Models 175NA, 175LP, 200NA, 200LP*
1	-	460747	Tube Sheet Coil Assembly kit (Includes Item No. 3) Models 250NA, 250LP
1	-	474059	Tube Sheet Coil Assembly kit (Includes Item No. 3) Models 250NA, 250LP*
1	-	474060	Tube Sheet Coil Assembly kit (Includes Item No. 3) Models 300NA, 300LP*
1	156357	77707-0234	Tube Sheet Coil Assembly Kit (Includes Item No. 3) Models 400NA, 400LP
1	-	474061	Tube Sheet Coil Assembly kit (Includes Item No. 3) Models 400NA, 400LP*
1	-	77707-0244	Tube Sheet Coil Assembly kit (Includes Item No. 3) Models 400HDNA, 400HD-LP
1	-	474065	Tube Sheet Coil Assembly kit (Includes Item No. 3) Models 400HDNA, 400HD-LP*
1	-	473710	Tube Sheet Coil Assembly kit - HD Series - (Includes Item No. 3) Models 250HDNA, 250HD-LP
1	-	474063	Tube Sheet Coil Assembly kit - HD Series - (Includes Item No. 3) Models 250HDNA, 250HD-LP*
2	156339	77707-0014	Manifold Kit (Includes Item Nos. 3-14, 21 and Item Nos. 5-7 in "Electrical System" Models 175NA, 175LP, 200NA, 200LP
2	-	77707-0015	Manifold Kit (Includes Item Nos. 3-14, 21, and Item Nos. 5-7 in InchesElectrical SystemInches Models 300NA, 300LP
2	156341	77707-0016	Manifold Kit (Includes Item Nos. 3-14, 21, and Item Nos. 5-7 in "Electrical System" Models 400NA, 400LP
2	-	474200	Basic Manifold Kit (Includes Item Nos. 3, 5, 10-14)
3	-	77707-0117	Coil/Tubesheet Sealing O-Ring Kit - Models 175NA, 175LP, 200NA, 200LP (6)
3	-	460749	Coil/Tubesheet Sealing O-Ring Kit - Models 250NA, 250LP (8)
3	-	77707-0118	Coil/Tubesheet Sealing O-Ring Kit - Models 300NA, 300LP (10)
3	-	77707-0119	Coil/Tubesheet Sealing O-Ring Kit - Models 400NA, 400LP (12)

PARTS

Pentair MasterTemp Heater - Water System Replacement Parts

Ref #	Imperial No.	Part Number	Description
9	156315	42001-0060S	Water Pressure Switch
9	-	473716Z	Water pressure Switch (ASME)
13	-	U9-26	O-Ring
14	156342	77707-0017	Connector Tube Kit (Includes 1 Connector Tube and 1 O-Ring)
15	156336	77707-0010	Thermal Regulator Kit (Incl. Item Nos. 16, 17, 18, 19 and Spring Clip)
16	156304	38000-0007S	Thermal Regulator (Includes Spring Clip)
20	150216	U178-920PZ	Drain plug
21	156430	U78-60ZPS	Zinc Plug 428-60 PS
22	-	473715Z	Pressure Relief Valve
23	144306	PKG 188Z	2 in. Union Adapter Package (Includes 2)
-	156351	77707-0120	O-Ring Kit (Incl. Item Nos. 3, 5)

*For Heaters Manufactured after 1/12/09 (New Tube Design).
NOTE: Kits include: O-rings, Insulation, Igniter and Blower Gaskets.

ASME Kits

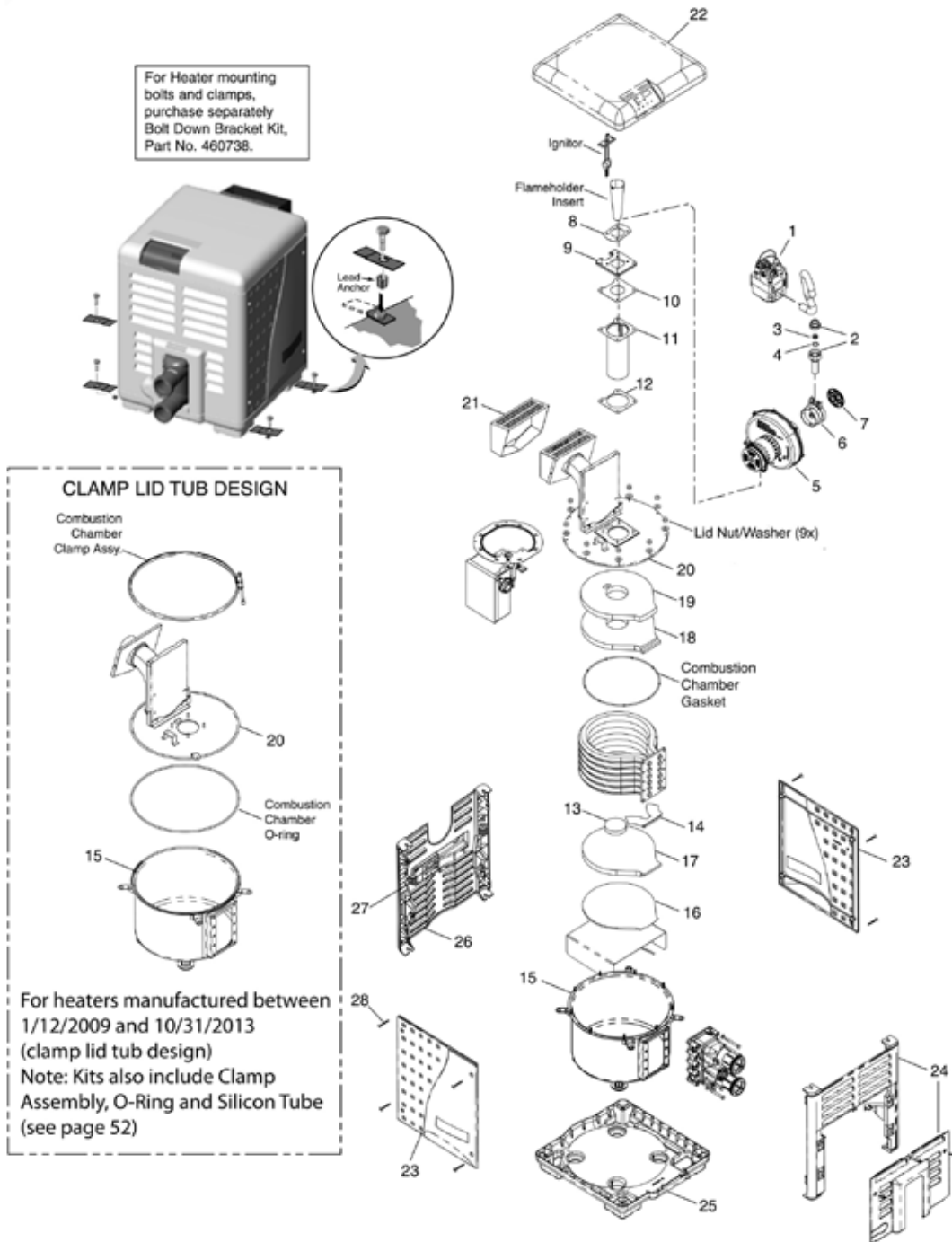
Ref #	Imperial No.	Part Number	Description
-	-	472648Z	Bypass Access Plug (ASME)
-	-	460940	Heat Exchanger Kit - 400 ASME**
-	-	474096	Heat Exchanger Kit - 400 ASME***
-	-	474956	Heat Exchanger Kit - 400 ASME****
-	-	474953	Heat Exchanger Kit - 400 HD ASME****
-	-	474350	Heat Exchanger Kit - 400 ASME HD***
-	-	460941	Heat Exchanger Kit - 250 ASME**
-	-	474097	Heat Exchanger Kit - 250 ASME***
-	-	474954	Heat Exchanger Kit - 200 ASME****
-	-	474955	Heat Exchanger Kit - 200 HD ASME****
-	-	474349	Heat Exchanger Kit - 250 ASME HD***
-	-	460923	ASME Bypass Valve Kit (Old header design)****
-	-	461007	ASME Bypass Valve Tool Kit (Old header design)****
-	-	460924	Thermal Regulator Kit (includes Spring clip, ASME, Old header design)****

**For ASME Heaters Manufactured prior to 3/24/09 (Original Tub Design).
***For ASME Heaters Manufactured after 3/24/09 (Tub Design w/Clamp Ring).
****For ASME Heaters Manufactured prior to 10/2012 (Old Header Design).
*****For ASME Heaters Manufactured after 1/1/14 (New 9-Bolt Tub Design).

Note: Kits (New Tub Design) include: Clamp, O-Ring, Silicone Tube, and Insulation (ASME version only).

PARTS

Pentair MasterTemp Heater - Burner System Replacement Parts



Ref #	Imperial No.	Part Number	Description
1	156311	42001-0051S	Combination Gas Control Valve Kit
2	-	38404-4097S	3/4 in. Union
5	-	77707-0250	Air Blower Kit - Natural Gas Units (Models 175NA)
5	156361	77707-0251	Air Blower Kit - Natural Gas Units (Models 200NA)
5	-	460743	Air Blower Kit - Natural Gas Units (Models 250NA)
5	-	460757	Air Blower Kit - Natural Gas Units (Models 300NA)
5	156363	77707-0253	Air Blower Kit - Natural Gas Units (Models 400NA)
5	-	77707-0254	Air Blower Kit - Propane Units (Models 175LP, 200LP)
5	-	460744	Air Blower Kit - Propane Units (Models 250LP)

PARTS

Pentair MasterTemp Heater - Burner System Replacement Parts

Ref #	Imperial No.	Part Number	Description
5	-	460758	Air Blower Kit - Propane Units (Models 300LP)
5	156366	77707-0256	Air Blower Kit - Propane Units (Models 400LP)
6	-	See Item # 7	Item # 6 included in Item # 7
7	-	460798	Air Orifice Kit - Model 175 (Includes Item Nos. 6 and 7)
7	-	77707-0111	Air Orifice Kit - Model 200 (Includes Item Nos. 6 and 7)
7	-	460745	Air Orifice Kit - Model 250 (Includes Item Nos. 6 and 7)
7	-	460759	Air Orifice Kit - Model 300 (Includes Item Nos. 6 and 7)
7	-	77707-0113	Air Orifice Kit - Model 400 (Includes Item Nos. 6 and 7)
15	-	42001-0200S	One Piece Metal Chamber/Combustion Chamber Assembly***
15	-	474095	One Piece Metal Chamber/Combustion Chamber Assembly*
15	-	474957	One Piece Metal Chamber/Combustion Chamber Assembly**
20	-	42001-0214S	One Piece Metal Elbow/Combustion Chamber Cover Assembly***
20	-	474094	One Piece Metal Elbow/Combustion Chamber Cover Assembly*
20	-	474958	One Piece Metal Elbow/Combustion Chamber Cover Assembly**
20a	-	474201	Tub O-Ring Kit*
20b	-	474952	Tub O-Ring Kit**
21	-	42002-0005S	Metal Vent Cover
22	-	42002-0034Z	Heater Top
23	-	42002-0039Z	Side Panel (Service Panel) with 4 clips and 4 screws
25	-	42002-0031Z	Heater Bottom
26	-	42002-0032Z	Side Panel (Flue Stack)
27	-	42002-0041Z	J Box Cover
28	-	474292	7 ea clips and 3 ea screws

‡ Not included with heater. Order separately.

*For Heaters Manufactured Between 1/12/09 and 10/31/13 (Clamp lid tub design).

**For Heaters Manufactured After 11/16/13 (New 9-bolt lid tub design).

***For Heaters Manufactured before 1/12/09.

Note: Kits include Clamp Assembly, O-Ring, and Silicone Tube.

Not Shown

Ref #	Imperial No.	Part Number	Description
-	-	461002	Gas Orifice Kit - NG, Model 175 (Incl. Item Nos. 3 and 4)‡
-	-	77707-0431	Gas Orifice Kit - NG, Model 200 (Incl. Item Nos. 3 and 4)‡
-	-	460753	Gas Orifice Kit - NG, Model 300 (Incl. Item Nos. 3 and 4)‡
-	156367	77707-0411	Gas Orifice Kit - NG, Model 400 (Incl. Item Nos. 3 and 4)
-	-	460797	Gas Orifice Kit - Propane, Model 175 (Incl. Item Nos. 3 and 4)‡
-	-	77707-0461	Gas Orifice Kit - Propane, Model 200 (Incl. Item Nos. 3 and 4)‡
-	-	460740	Gas Orifice Kit - Propane, Model 250 (Incl. Item Nos. 3 and 4)‡
-	-	460754	Gas Orifice Kit - Propane, Model 300 (Incl. Item Nos. 3 and 4)‡
-	-	77707-0441	Gas Orifice Kit - Propane, Model 400 (Incl. Item Nos. 3 and 4)‡
-	156378	77707-1461	NG to Propane Conversion Kit Model 200 (Incl. Item Nos. 3 and 4)
-	-	460755	NG to Propane Conversion Kit Model 300 (Incl. Item Nos. 3 and 4)‡
-	156376	77707-1441	NG to Propane Conversion Kit Model 400 (Incl. Item Nos. 3 and 4)
-	-	460795	Propane to NG Conversion Kit Model 175 (Incl. Key Nos. 3 and 4)‡
-	156375	77707-1431	Propane to NG Conversion Kit Model 200 (Incl. Key Nos. 3 and 4)
-	-	460742	Propane to NG Conversion Kit Model 250 (Incl. Key Nos. 3 and 4)‡
-	-	460756	Propane to NG Conversion Kit Model 300 (Incl. Key Nos. 3 and 4)‡

PARTS

Pentair MasterTemp Heater - Burner System Replacement Parts

Not Shown

Ref #	Imperial No.	Part Number	Description
-	156373	77707-1411	Propane to NG Conversion Kit Model 400 (Incl. Key Nos. 3 and 4)
-	-	77707-0011	Blower/Adapter Plate Gasket Kit (Includes Item Nos. 8, 9, 10, 12)
-	156352	77707-0202	Flameholder Kit - Model 175, Model 200 (Includes Item Nos. 10, 11, 12 & 13)
-	-	460746	Flameholder Kit - Model 250 (Includes Item Nos. 10, 11, 12 And 13 and Flameholder insert)
-	-	77707-0203	Flameholder Kit - Model 300 (Includes Item Nos. 10, 11, 12 And 13 and Flameholder insert)
-	-	77707-0204	Flameholder Kit - Model 400 (Includes Item Nos. 10, 11, 12 And 13 and Flameholder insert)
-	-	77707-0008	Insulation Kit (Includes Item Nos. 13, 14, 16, 17, 18, 19)
-	-	42001-0074S	Lower Enclosure Insulation
-	-	42001-0214S	Metal Vent Cover Assembly

ANYTIME/ANYWHERE

24•7•365

www.imperialpools.com/B2B

PLACE ORDERS FROM YOUR
DESKTOP, LAPTOP, TABLET
OR PHONE

We've made our new B2B site faster and easier for you to browse our product lines and even easier for you to order!



**Get Cash Back on everything
you buy from Imperial
Manufacturing and Distribution!**

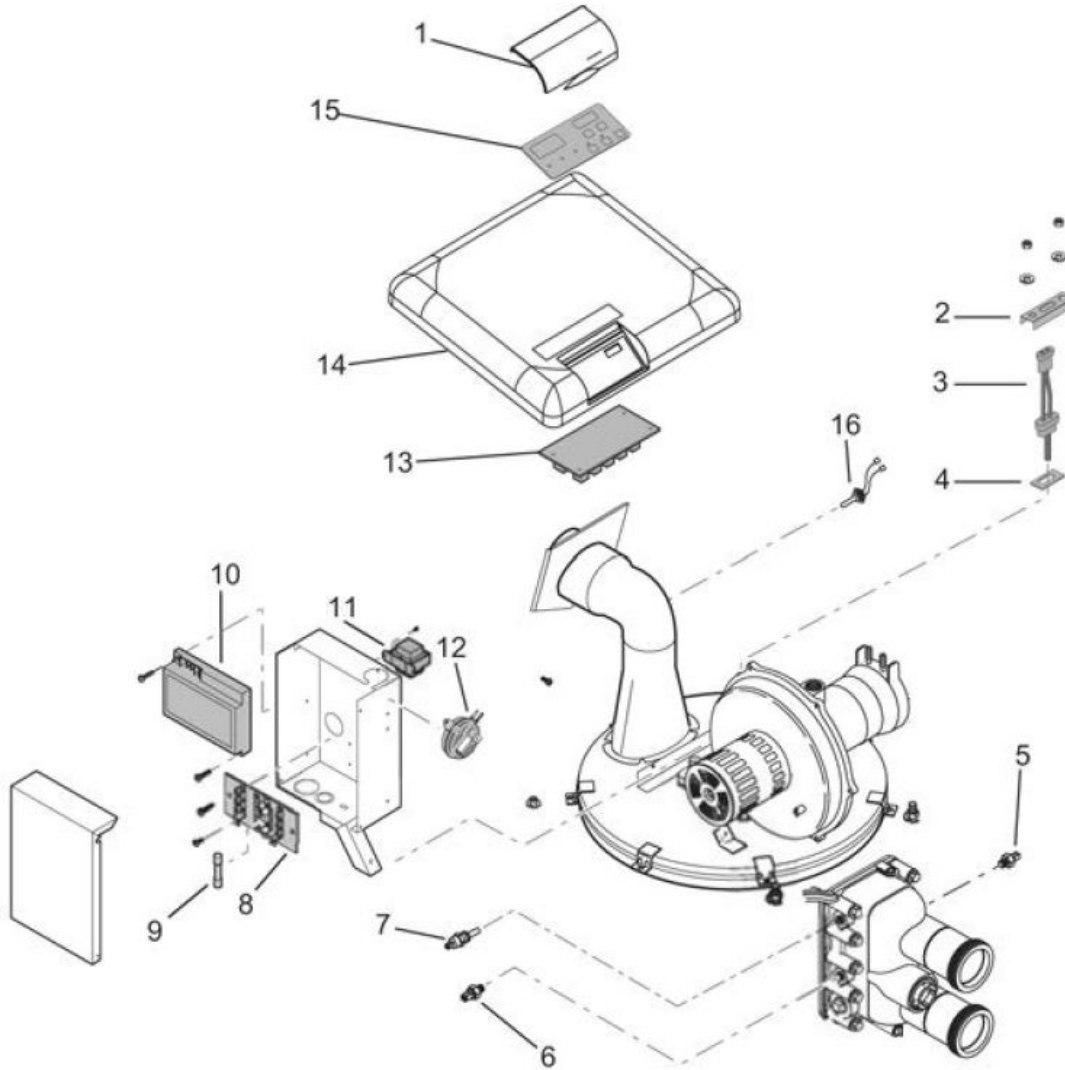
To find out how, contact your Imperial Sales
Director for details and eligibility.



33 Wade Rd
Latham, New York 12110
www.imperialpools.com

PARTS

Pentair MasterTemp Heater - Electrical System Replacement Parts



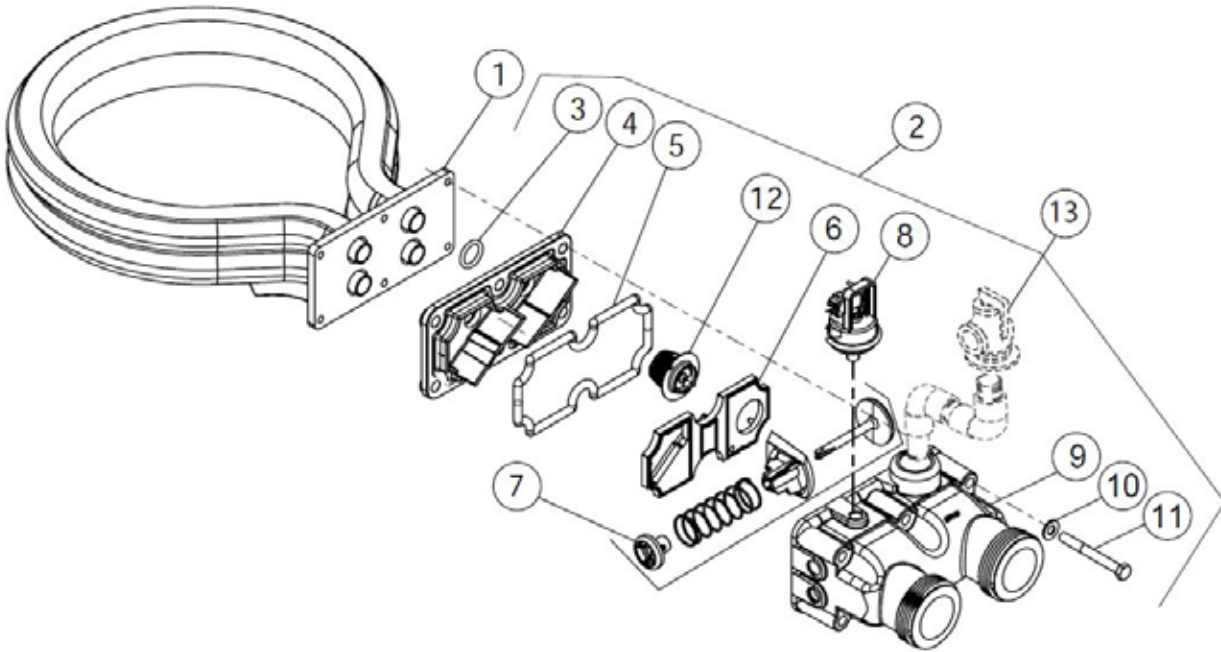
Ref #	Imperial No.	Part Number	Description
2	156310	42001-0030S	Igniter Bracket
4	-	42001-0066S	Igniter Gasket
5	156330	42002-0025S	Automatic Gas Shutoff Switch (AGS)
6	156317	42001-0063S	High Limit Switch
8	156314	42001-0056S	Terminal Board
11	156323	42001-0107S	Transformer, 115/230V
12	156312	42001-0061S	Air Flow Switch
13	156328	42002-0007S	Control Board Kit (NA, LP Series)
14	-	42002-0034Z	Heater Top

Not Shown

Ref #	Imperial No.	Part Number	Description
-	156321	42001-0104S	Heater Wiring Harness - 115/230V
-	156322	42001-0105S	120/240 Volt Plug Kit

PARTS

Pentair MasterTemp 125 Heater - Water System Replacement Parts



Ref #	Imperial No.	Part Number	Description
1	-	474971	Tube Sheet Coil Assembly Kit - Includes Item #3. (NA, LP Series)
2	-	474972	Manifold Kit (Includes Item #3-11; Item #13 NOT Included)
3	-	474973	Coil/Tubesheet Sealing O-Ring Kit
10	-	-	5/16 Inches Washer, S.S.*
11	-	-	5/16 x 18 x 2-3/4 Inches Hex Cap Screw*
4	-	-	Manifold Bottom Plate*
5	-	-	Manifold O-Ring*
6	-	-	Manifold Baffle Plate*
7	-	-	Manifold Bypass Valve*
9	-	-	Manifold*
8	156315	42001-0060S	Water Pressure Switch
12	-	474989	Thermal Regulator
13	-	473715	Pressure Relief Valve (Recommended-Purchased Separately)

Note: Kits include: O-Rings, Insulation, Igniter and Blower Gaskets.

*Not available separately. See item #2.

PARTS

Pentair MasterTemp 125 Heater - Burner System Replacement Parts

Ref #	Imperial No.	Part Number	Description
1	156311	42001-0051S	Combination Gas Control Valve Kit
2	-	38404-4097S	3/4 in. Union
5	-	474978	Air Blower Kit - Natural Gas
5	-	474977	Air Blower Kit - Propane
6	-	474979	Air Orifice Kit (Incl. Item Nos. 6, 7)
14	-	474952	Combustion Chamber Gasket Kit
15	-	474990	One Piece Metal Chamber/Combustion Chamber Assembly
20	-	474958	One Piece Metal Elbow/Combustion Chamber Cover Assembly, 9-Bolt
21	-	42002-0005S	Metal Vent Cover
22	-	42002-0034Z	Heater Top
23	-	474991	Side Panel (Service Panel)
24	-	474992	Side Panel (Manifold)
25	-	42002-0031Z	Heater Bottom
26	-	474993	Side Panel (Flue Stack)
27	-	42002-0041Z	J Box Cover
28	-	474292	8 ea clips and 8 ea screws

Not Shown

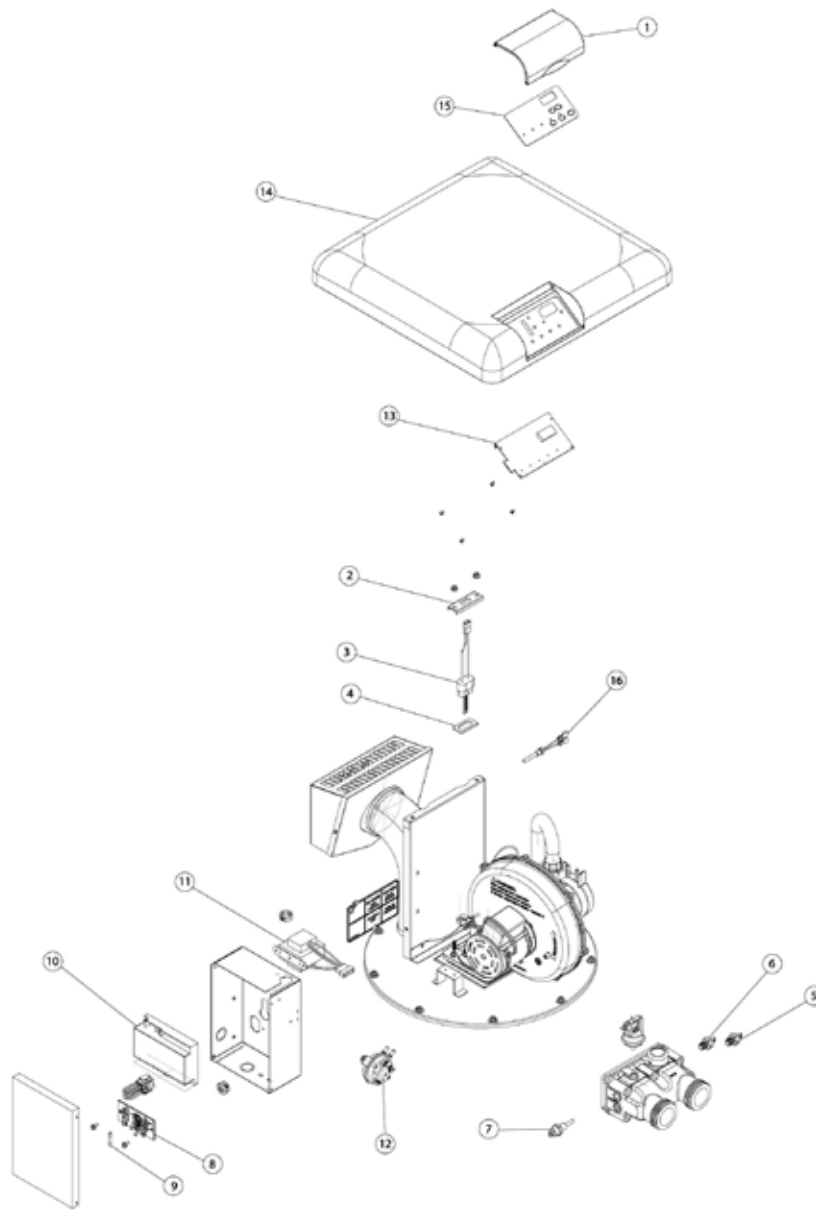
Ref #	Imperial No.	Part Number	Description
-	-	474981	Gas Orifice kit - NG (Incl. Item Nos. 3 and 4)**
-	-	474980	Gas Orifice Kit - Propane (Incl. Item Nos. 3 and 4)**
-	-	461063	Propane to NG Conversion Kit (Incl. Item Nos. 3 and 4)**
-	-	461062	Gas Orifice Kit - Propane to NG Conversion kit (Incl. Item Nos. 3 and 4)**
-	-	77707-0011	Blower/Adapter Plate Gasket Kit (Includes Item Nos. 8, 9, 10, 12)
-	-	474994	Flameholder Kit (Incl. Item Nos. 10, 11, 12, 13)
-	-	77707-0008	Insulation Kit (Includes Item Nos. 13, 14, 16, 17, 18, 19)

*Not available separately.

**Not included with heater. Order separately.

PARTS

Pentair MasterTemp 125 Heater - Electrical System Replacement Parts



Pentair MasterTemp 125 Heater - Electrical System Replacement Parts

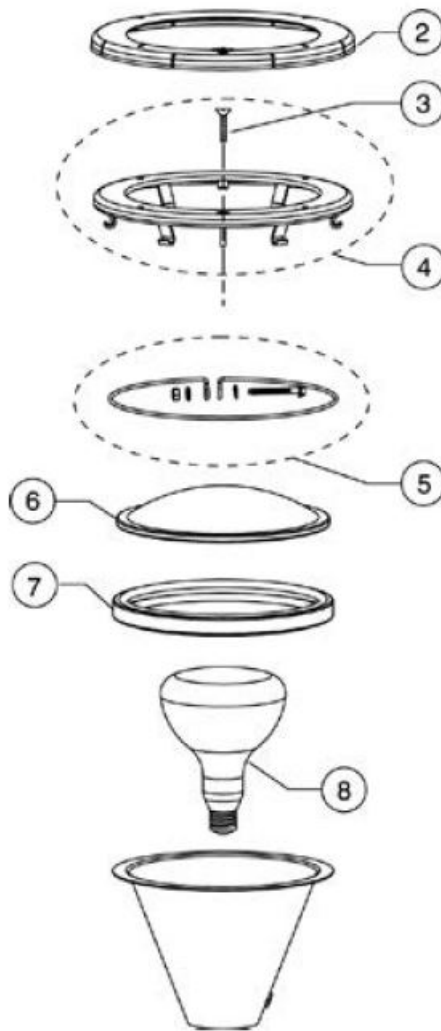
Ref #	Imperial No.	Part Number	Description
2	156310	42001-0030S	Igniter Bracket
4	-	42001-0066S	Igniter Gasket
5	-	474368S	Automatic Gas Shutoff Switch (AGS)
6	-	474367S	High Limit Switch
8	156314	42001-0056S	Terminal Board
11	156323	42001-0107S	Transformer, 115/230V
12	156312	42001-0061S	Air Flow Switch
13	156328	42002-0007S	Control Board Kit (NA, LP Series)
14	-	42002-0034Z	Heater Top

Not Shown

Ref #	Imperial No.	Part Number	Description
-	156321	42001-0104S	Heater Wiring Harness - 115/230V
-	156322	42001-0105S	120/240 Volt Plug Kit

PARTS

Pentair AmerLite Lights Replacement Parts

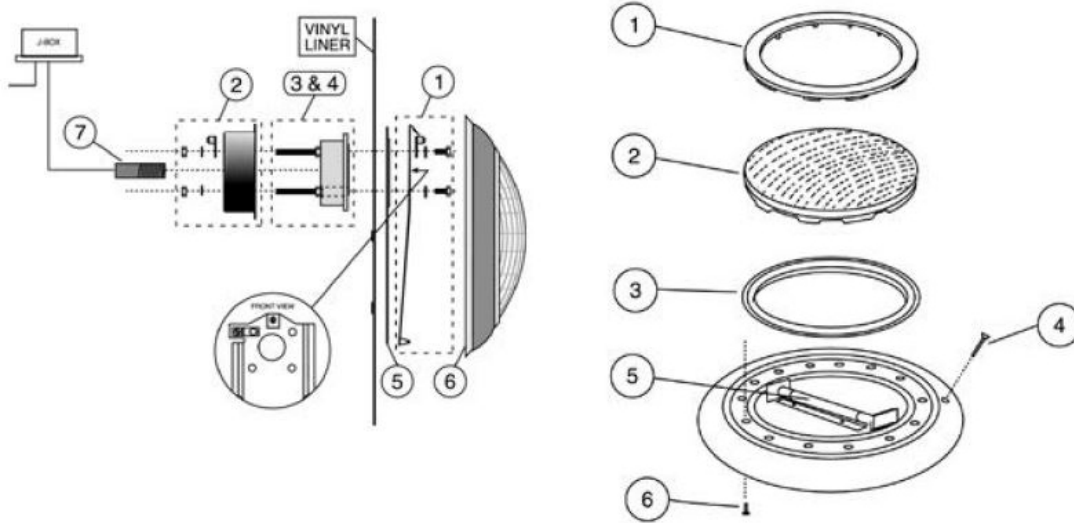


Ref #	Imperial No.	Part Number	Description
2	-	79212100	Face ring, lg. plastic, SS only, white
2	AP79212165	79212165	Face ring, lg. plastic, SS only, grey
2	-	79212111	Face ring, lg. plastic, SS only, black
3	-	79104800	Pilot screw with captive gum washer, brass
4	AP7911060	79110600	Face ring assembly, SS
5	AP79111000	79111000	Uni-tension wire clamp assembly
6	151367	79100100	Lens, clear 8-3/8 in. dia., tempered
6	-	79100200	Lens, medium blue 8-3/8 in dia, tempered
7	151370	79101600Z	Gasket for 8-3/8 in. lens
8	-	79101800	Floodlamp, medium base, 100 watt, 12 volt
8	-	79101900	Floodlamp, medium base, 300 watt, 12 volt
8	-	79102100	Floodlamp, medium base, 500 watt, 120 volt
8	-	79107600	Floodlamp, medium base, 300 watt, 120 volt
8	-	79102200	Floodlamp, medium base, 400 watt, 120 volt

New AmerBrite® Color and White LED Replacement Luminaries are now available for Amerlite Lights.

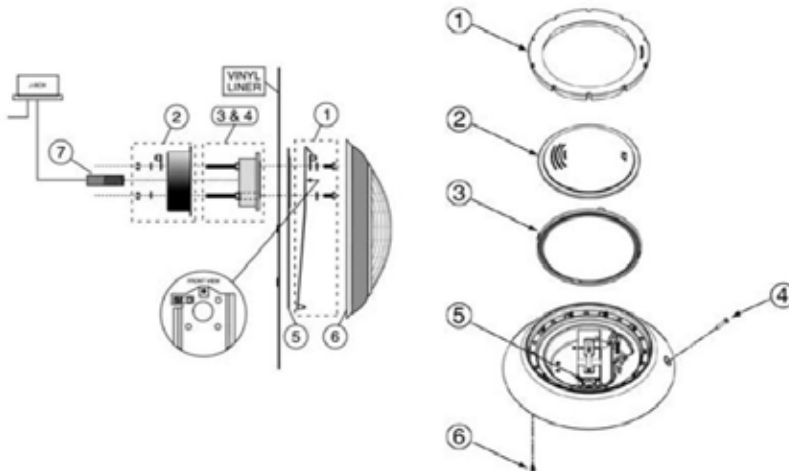
PARTS

Pentair AquaLumin And AquaLumin II Lights Replacement Parts



Ref #	Imperial No.	Part Number	Description
2	-	619548	Metal bracket cup assembly
3	-	619549	Mounting hub 3/4 in assembly
4	-	619550	Mounting hub 1 in assembly
5	AP78872600	78872600	Mounting spacer
6	AP78882100	78882100	Housing Spacer
7	-	86001800	Nipple, 1 in.
1	149941	78880400	Face ring, white
2	149940	78880300	Lens
3	149942	78880200	Lens seal
6	149946	78881400	Sealing screws, 10 required

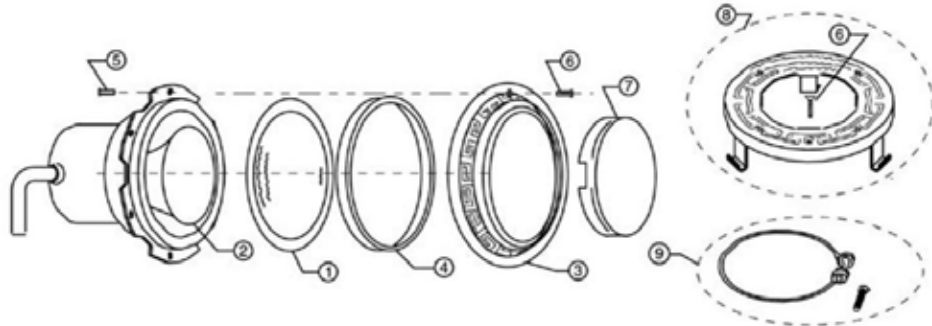
*Used on lights manufactured after 8-94.



Ref #	Imperial No.	Part Number	Description
2	-	619548	Metal bracket cup assembly
3	-	619549	Mounting hub 3/4 in assembly
4	-	619550	Mounting hub 1 in assembly
5	AP78872600	78872600	Mounting spacer
7	-	86001800	Nipple, 1 in.
1	619601	619601	Face Ring, White
6	619792	619792	Sealing screws (10 required)
-	-	600138	Bulb replacement Kit (120V/250W)
-	-	600139	Bulb replacement Kit (12V/100W)
-	-	600141	Lens Replacement Kit

PARTS

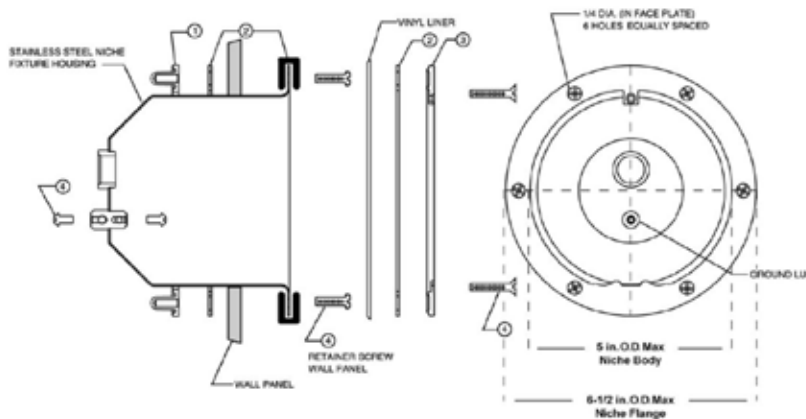
Pentair SpaBrite / AquaLight Lights Replacement Parts



Ref #	Imperial No.	Part Number	Description
1	151378	79107800	Lens, clear, 4 in. dia., tempered
2	-	650139Z	Bulb, 60 watt Par 16 (100 watt equivalency) (SpaBrite)
2	-	79108100	Floodlamp, med. Base, 100 watt, 12 Volt, (SpaBrite)
2	-	79102900	100 watt Halogen Quartz screw base, (AquaLight)**
2	-	79113800	250 watt Halogen Quartz screw base, (AquaLight)**
2	-	79112400	Bulb, 75 watt, 12 Volt, bi-pole (AquaLight)
2	-	070517	Bulb, 100 watt, 120 Volt, bayonet, (AquaLight)*
2	-	79112700	Bulb, 250 watt, 120 Volt, bayonet, (AquaLight)*
4	151379	79108500Z	Gasket for 4 in. dia. lens, off white, (SpaBrite)
4	AP79108600	79108600	Gasket, white, silicone 100 watt, 250 watt, (AquaLight)
5	-	98208600	Screw, SS 10-24 x 3/8 in., 6 req., chrome-brass
6	151369	79104800Z	Pilot screw with captive gum washer, brass
7	151380	79108900	Kwik-change color lens, red
7	151381	79109000	Kwik-change color lens, blue
7	-	650015	Kwik-change color lens, magenta
7	-	650016	Kwik-change color lens, purple
7	-	650017	Kwik-change color lens, teal
7	-	650018	Kwik-change color lens, green
7	-	650019	Kwik-change color lens pack, 5 colors
8	151374	79111600	Face ring assembly, SS
9	-	79210400	Uni-tension wire assembly SS w/ welded nut

NOTES: *Used on lights manufactured after 5-91. **Used on lights manufactured after 1-98

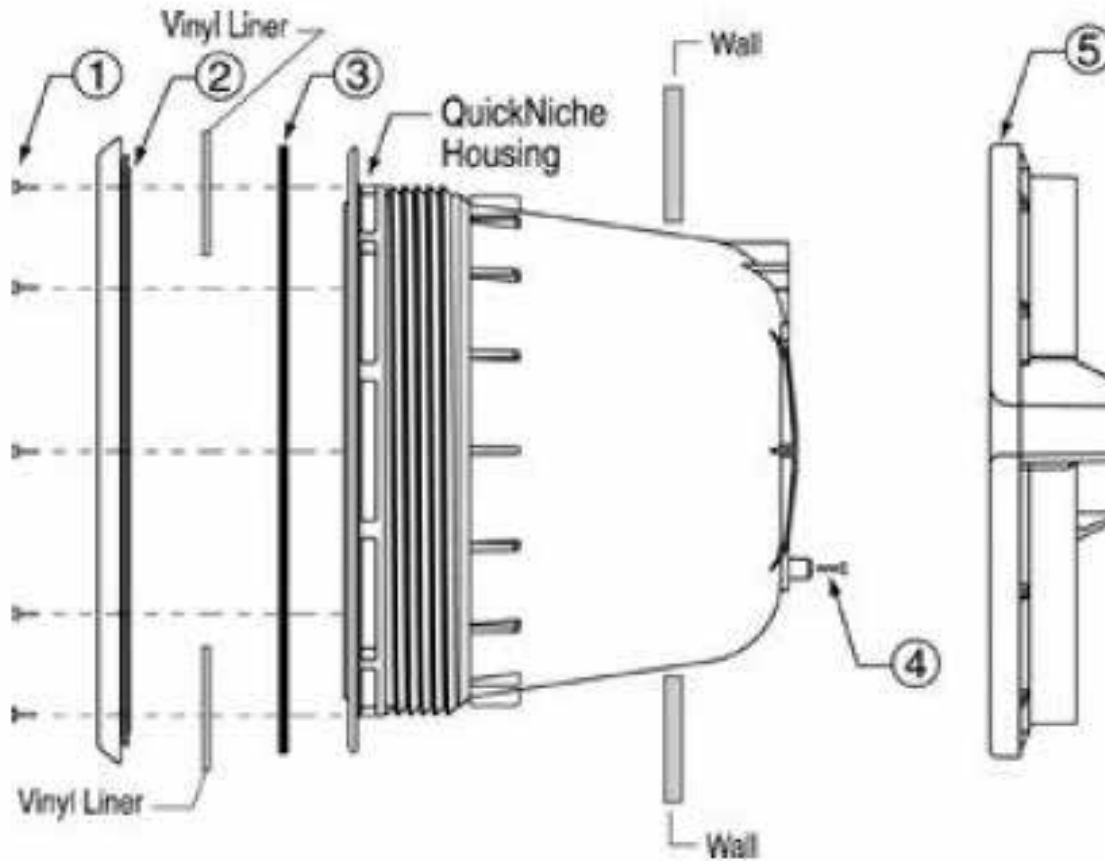
Pentair Small Stainless Steel Niches Replacement Parts



Ref #	Imperial No.	Part Number	Description
1	AP79205600	79205600	Back-up ring
2	-	79207900	Gasket set, small niche, w/ double wall gasket
2	AP79204603	79204603	Gasket set, small niche, w/o double wall gasket
3	151387	79206000	Sealing ring
4	151388	79205500	Screw Kit
Ref #	Imperial No.	Part Number	Description
-	-	79203200	Plaster ring, for gunite niche, spa
-	-	60028300	Bonding Lug Potting Sealant

PARTS

Pentair QuickNiche Vinyl Liner Niche



QuickNiche

Ref #	Imperial No.	Part Number	Description
2	AP630017	630017	Sealing ring w/ gasket
3	AP630025	630025	Gasket
4	AP990010	990010	Screw, bonding 10-24 x 7/16 in.
5	AP630016	630016	Lock ring

Not Shown

Ref #	Imperial No.	Part Number	Description
-	-	619555	Bonding lug kit
-	AP630022	630022	Screw, pilot
-	-	630023	Silicone packet DC 732 clear
-	-	630047	Repair kit for QuickNiche
-	-	60028300	Bonding Lug Potting Sealant

REFERENCE



Imperial POOLS INC.

REDEFINING ONE SOURCE

MANUFACTURER – DISTRIBUTOR – PARTNER

Imperial Pools is North America's only Privately Owned manufacturer of inground residential swimming pools and full line distributor of related products.

- Packaged Pools
- Steps
- Vinyl Liners
- Safety Covers
- Coping
- Pumps & Filters
- Heating
- Chemicals
- Cleaners / Maintenance
- Parts & Accessories
- Spas



CONTACT AN IMPERIAL BRANCH NEAR YOU TO LEARN MORE

IMPERIAL POOLS INC.
33 Wade Rd
Latham, New York 12110
www.imperialpools.com

Latham, NY 800-444-9977	Cheshire, CT 877-696-1200	Indianapolis, IN 866-271-1999	Amesbury, MA 800-831-8612	Mansfield, MA 800-285-2990
Fairfield, NJ 800-967-7665	Sharonville, OH 866-205-2706	Columbia, SC 800-766-1305	Greenville, SC 866-205-2707	Memphis, TN 800-564-1078

REFERENCE

GET CASH BACK ON EVERYTHING

 **MAD**
moneyTM
MANUFACTURING AND DISTRIBUTION CASH BACK

 **ezCash**TM

Ask your Imperial Sales
Director for details.

 **Imperial**
POOLS INC.
REDEFINING ONE SOURCE

800-444-9977

www.imperialpools.com

SAFETY

Pool safety is an imperative role for installers. That is why we provide a complete safety package for the installer to use with every liner we manufacture, whether it is for a new pool or existing pool. This complete safety package includes:



- Safety signs are designed especially to reflect the specifications for the liner we manufactured.
- No Diving labels for all pools.
- Warning labels complete with directions for placement on all pools.
- Owners Manual specifically to reflect the specifications for the liner we manufactured.
- “The Sensible Way to Enjoy Your Inground Pool” booklet for all pools.
- “Greg Louganis On Diving” (only on pools that meet current NSPI standards).
- “Children Aren’t Waterproof” booklet for all pools.
- “Layers of Protection” booklet for all pools.

It is our intention to inform the homeowner of the proper and safe use for their backyard pool. This is best accomplished by the installer hanging and placing all safety signs and warning labels at the pool before leaving the installation site. This is the installers responsibility and should NOT be left up to the homeowner. The homeowner should be handed all of the remaining booklets and manuals included in the safety package. This is also the installers responsibility. The homeowner cannot be properly educated on the safe way to use their pool if they do not receive this information.

If for any reason you do not receive all or parts of this safety package, please contact the factory immediately to receive them. If you have any questions regarding this safety package, please contact your sales representative or our customer service department. As we are sure you are aware, due to the excess of personal injury lawsuits and the ever rising costs of insurance, homeowner safety is not only necessary it is mandatory.



REMINDER

INTENDED USE INSTRUCTIONS - DIVING PRODUCTS

Inter-Fab diving boards (including spring boards, jump boards and starting platforms) and stands shall be installed only by a professional swimming pool contractor or with the direct supervision of a licensed professional, engineer or architect. Diving boards may be installed only on residential inground swimming pools properly designed for their use.

Diving boards that are improperly installed can be very dangerous to the user resulting in possible serious head and/or spinal column injury, including the paralysis or death of the user.

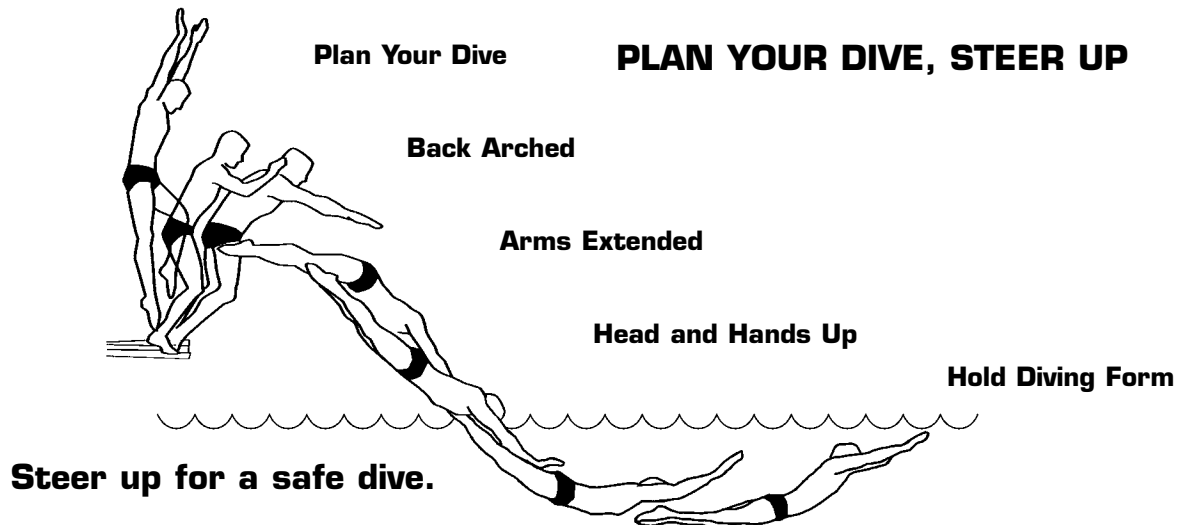
It is very important that Inter-Fab diving boards and stands be installed only on Type 1 or greater pools build in strict accordance with the American National Standard for Residential Inground Swimming Pools (ANSI/NSPI-5 2003) and in accordance with the included INTER-FAB RESIDENTIAL POOL SPECIFICATIONS TABLE 2.

In addition to the above standard and referenced table, the installation instructions provided by Inter-Fab, Inc. must be diligently followed.

It is also important that any and all warnings provided with the diving board be strictly adhered to and posted in a conspicuous location. If not provided or they are misplaced, please purchase warning signs from your pool contractor or professional pool supply store and post them in a location that the users of the diving board can clearly see.

ONLY ONE PERSON ON THE DIVING BOARD AT ONE TIME.

REFER TO THE POOL TYPE APPLICATIONS AND MAXIMUM WEIGHT LIMIT PROVIDED IN THE CORRESPONDING INSTALLATION MANUAL.



DIVING TIPS: Even the safest equipment must be used properly. Inter-Fab promotes safe diving by offering these tips on the proper use of your diving board: always dive into water that meets depth requirements, with arms extended; be aware of the bottom and the walls of the pool; avoid collisions with pool toys and floats; and instruct your pool users to always “steer up”. When you begin your dive you must get ready to steer up. As you enter the water, your arms must be extended over your head, hands flat aiming up. Hold your head and arch your back.

Swimming Pool Water Chemistry Troubleshooting Guide

Problem	Symptom	Cause	Remedy
Green Water	Green Color	Algae Corrosion of Copper	Adjust pH, shock treat with shock treatment. Repeat if necessary. Follow remedies for colored water and corrosion of metal parts.
Corrosion of Metal Parts	Metal fixtures in contact with pool water being eaten away; rust stains; copper stains; colored water	Low pH and/or Low alkalinity and/or Low Calcium hardness	Adjust pH to 7.2-7.6 by adding pH plus. Raise alkalinity to 60-100 ppm if using granular and 90-125 ppm if using chlorine tablets or sticks. Raise calcium hardness to minimum of 200 ppm by adding calcium plus. Follow label instructions
Chlorine Odor	Swimmers' eyes become irritated, water has an unpleasant odor, complaints of too much chlorine in the water	Chloramines formed by reaction with bathers waste	Adjust pH to 7.2-7.4 shock treat with shock treatment. Repeat if necessary.
Eye and Skin Irritation	Red eyes, itching eyes	Chloramines (See chlorine odor); Improper pH	Adjust pH, shock treat with shock treatment. Readjust pH with pH plus (soda ash) or pH minus (dry acid) or muriatic acid to 7.2-7.6 range
Algae	Green or brown algae turn water green, pool surfaces feel slippery, can also cause cloudy water. Black algae forms patches on pool sides, giving them a spotty look.	Insufficient Chlorine High stabilizer level. Improper pH	Adjust pH, shock treat with shock treatment. Vinyl liner: Use soft nylon brush. Repeat if necessary. Add algaecide. Follow dosage recommended on label.
Scale Formation	Scale on pool walls and fixtures. Frequent in new inground pools.	High pH, excess alkalinity. Excess calcium hardness	Reduce pH to 7.2- 7.6 with pH minus or muriatic acid. Use pH minus or muriatic acid to reduce total alkalinity to 60-100 ppm if using chlorine granular. 90-125 ppm if using chlorine tablets or sticks depending on pH and calcium hardness. Lower calcium hardness if necessary by draining water and replacing it with water having a lower hardness
Colored Water	Brown, Black, Blue-green water	Iron, Manganese, copper in excess	Shock treat with shock treatment. Floc pool or sand filter with alum (not recommended for D.E. or cartridge filters). Follow remedy for corrosion of metal parts. To prevent colored water, use stain and scale controller. Follow instructions
Excessive Available Chlorine	Bleached hair and bathing suits. Possible eye irritation.	Excess Chlorine	Add sodium sulfite or sodium bisulfite or sodium thiosulfite
Cloudy Water	Hazy, cloudy water, lack of sparkle	Early algae growth Pool Filtration High pH High Alkalinity	Adjust pH to 7.2-7.4 shock treat with shock treatment. Check filter operation. Readjust pH with pH minus or muriatic acid to 7.2-7.6. Add clarifier to aid filter in removal of fine suspended particles. Follow instructions

Conversion Tables

Temperature Control

Fahrenheit $-32 \times 0.555 =$ Centigrade

Centigrade $\times 1.8 + 32 =$ Fahrenheit

Weight

1 U.S. Gallon Of Water = 8.33 lbs

1 Cubic Foot of water = 62.35 lbs

1 Kilogram (litre) = 2.2 lbs

1 Imperial Gallon = 10.00 lbs

Mathematical Conversions					
Pounds	x .0454	= Kilograms	U.S. Gallons	x 3.785	Liters
Kilograms	x 2.205	= Pounds	Liters	x 0.264	U.S. Gallons
Ounces	x 28.35	= Grams	U.S. Gallons	x 0.0038	Cubic meters
Grams	x 0.0353	= Ounces	Cubic meters	x 264.2	U.S. Gallons
Feet	x 0.305	= Meters	U.S. Gallons	x 0.833	Imperial Gallons
Meters	x 3.729	= Feet	Imperial Gallons	x 1.201	U.S. Gallons

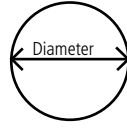
Vermiculite Coverage			
Approximate Number of Bags Required Based on a 2" Bottom			
Rectangle	vermiculite	cement	ultra-mix pre-mix
16x32	32	16	64
16x36	36	18	71
18x36	41	20	81
20x40	50	25	100
Grecian			
16' 6" x 32' 6"	32	16	64
16' 6" x 35' 6"	36	18	71
17' 10" x 35' 10"	41	20	81
20' 9" x 40' 9"	47	23	94

Gallonage Chart

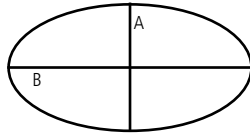
How to Determine Pool Perimeter and Capacity

To Determine Pool Perimeter

Round Pools - $3.14 \times \text{Diameter}$



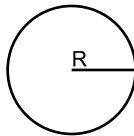
Oval Pools - $3.14 \times A + (B-A) \times 2$



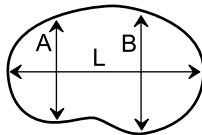
To Determine Pool Capacity

1. Determine Surface Area

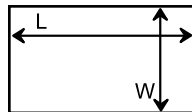
Round Pools - $R \times R \times 3.14$



Kidney Pools - $(A + B) \times L \times .45$



Rectangle Pools - $L \times W$



2. Multiply square footage by average depth to determine the approximate cube of the pool.

(Example: (3 ft. shallow end + 8 ft. deep end) divided by 2 = 5.5 feet)

So, if we have a pool with a surface area of 512 feet, the cube would be 2,816 ft. ($512 \times 5.5 = 2816$)

3. Multiply the pools approximate cube by 7.5 (gallons of water in one cubic foot)

Our pool with a cube of 2,816 ft would contain approximately 21,120 gallons ($2,816 \times 7.5 = 21,120$)

The importance of proper swimming pool or spa filtration can not be overstated. The reasons for filtration are obvious — clear water not only looks beautiful, but it is also necessary for health and safety reasons. Much of the material suspended in the water, derived from plant and animal sources, provides food for bacteria and algae. It is these materials that must be removed if a pool or spa is to be maintained in a safe and sanitary condition.

The three most popular types of filtration currently in use in residential pools and spas are high-rate sand, cartridge and diatomaceous earth (D.E.). Each method of filtration is explained below.

High-Rate Sand

The oldest and most popular method of filtration is sand. Sand filters share two things in common: 1) When in the filtration mode, water always flows from top to bottom; 2) They all have some sort of lateral or underdrain with slots to hold back sand while allowing clean, filtered water to pass through.

High-rate sand filters use a special filter sand, normally .45 to .55 mm (also known as pool-grade #20 silica sand), because it has sharp edges that serve to separate particles, allowing filtration to take place. They operate on the basis of “depth” filtration; dirt is driven through the sand bed and trapped in the minute spaces between the particles of sand. Initially, a clean sand bed will remove larger particles, and then, as the bed starts to load up, it will remove finer particles.

Cleaning of the media, or sand bed, is accomplished through reversing the flow through the filter, to the “waste” line. This is known as backwashing.

Cartridge

Cartridge filtration has been available for a relatively long time, but only recently has it begun to enjoy rapid growth and acceptance.

When water passes through a cartridge filter, dirt is screened out at the surface of the cartridge element. When clean, the element will trap larger particles, with finer particles being filtered out as the pores of the element become clogged by the larger debris.

The cartridge element can be removed and cleaned by pressure washing inside and out with a garden hose.

Diatomaceous Earth (D.E.)

Many pool professionals consider D.E. filtration to be the finest, because it is capable of removing smaller particles than either sand or cartridge.

Diatomaceous earth is a porous powder with microscopic openings, that, when magnified, look like tiny sponges. Clear water can pass through these openings, but particles, as small as five microns, are trapped the first pass through the media.

All D.E. filters have internal elements that become coated with D.E. It is this “filter cake” that strains dirt, dust, algae and some forms of bacteria from the water.

Similar to sand filters, when a D.E. filter becomes dirty, it is cleaned either by backwashing the clogged D.E. to the “waste” line or regenerating and draining. To restore filtration, a fresh “charge” of D.E. is added to the filter.

Water Chemistry

Whatever method of filtration is selected, it is important to remember that filtration alone does not keep water looking its best. Proper water chemistry must also be maintained for safe, clean water. Most pool owner complaints are directly related to water chemistry or improper sizing of filters and pumps rather than equipment failures.

Technical Data – Filtration

Filtration Method	Suggested Filtration Rate		Approximate Filtration Range (Microns)
	Residential (GPM/ft. ²)	Commercial (GPM/ft. ²)	
High-Rate Sand	20	15	20 to 40
Cartridge	1	.375	10 to 20
Diatomaceous Earth	2	2	5

Sources: (1) NSPI. Basic Pool & Spa Technology (2/88 Edition; Section 1.4: Filters)

(2) Hayward Pool Products Technical Bulletin TMF-12.

For proper filter sizing techniques, please see “Filter Sizing” section 4B on page 23.



High-Rate Sand Filter



Cartridge Filter



Vertical Grid Diatomaceous Earth (D.E.) Filter



Pool Chemistry

FOR ELECTRONIC CHLORINE GENERATORS



It is important to maintain salt and stabilizer levels in order to prevent scaling and to ensure maximum enjoyment of the pool. Test the water periodically and use standard pool industry procedures to adjust levels.

Salt 2700 to 3400 ppm

Check monthly (using the digital salt display). The higher end of the salt level range lets the electronic chlorine generator produce more chlorine and also helps extend the life of the cell. The electronic chlorine generator will indicate when the salt drops below 2700 ppm and the electronic chlorine generator will stop operating if the salt drops below 2500ppm. On most pools, the salt level tends to slowly drift downward as fresh water is added to the pool (rain or makeup water for splash-out, back-washing etc.). A good procedure is to add enough salt to be near the top of the range. Usually add stabilizer (see below) at the same time.

Stabilizer 60 to 80 ppm

Check monthly. Stabilizer is also known as conditioner, cyanuric acid, or isocyanuric acid. Refer to local codes regarding its use. Stabilizer helps maintain the chlorine residual in the pool by protecting it from the UV rays from the sun. Without stabilizer, the electronic chlorine generator would have to produce much more chlorine in order to keep the desired residual level in the pool. Add enough stabilizer to be near the top end of the range at the same time you add salt.

Chlorine

Ideally, all of the chlorine in the pool should be “free chlorine” and there should be zero “combined chlorine.” “Free chlorine” means that it is not attached to any contaminants in the pool and is ready to attack any algae or bacteria that it comes in contact with. Note that test kits using the OTO method (yellow color) only test total chlorine and can not differentiate between “free” and “combined”. DPD test kits (red color) do allow for the testing of both total chlorine and “free chlorine”.

pH determines Chlorine effectiveness

The recommended pH range is 7.2 to 7.8. If the pool’s pH rises above the top end of the range, the sanitizing effectiveness of the chlorine can be greatly reduced. For example: The chlorine in a pool with the pH at 7.2 is approximately ten times more effective than the same amount of chlorine in a pool with the pH at 8.2.

Why is water chemistry important?

Continuous filtration, cleaning and sanitization are not enough — balancing pH (potential hydrogen) is vital. Chlorination should keep germs and algae at bay but when pH is unbalanced, it can’t do its job. Let the pH drop too low and the water becomes acidic and attacks anything it touches. When pH drifts up, the water becomes alkaline and creates an environment where mineral deposits (scale) can form. Furthermore, when pH is high, chlorine becomes less effective at its primary task — killing bacteria and algae.

ORP (oxidation reduction potential) measures the oxidizing capacity in water. It is a proven measurement and maintenance technology mandated for commercial pool sanitization. Unlike most home-test processes, ORP is not fooled by the effects of pH, TDS (total dissolved solids) and other factors. Most home-test kits and strips only report free chlorine and other less effective forms of chlorine. Only ORP can deliver further detailed analysis of the more important free chlorine. It differentiates free chlorine’s components HOCl (hypochlorous acid) and OCl- (hypochlorite ion). OCl- is a slow-acting sanitizer, and HOCl is up to 300 times more effective. ORP targets HOCl, a more fine-tuned measurement of the effectiveness of chlorine and water quality.

Studies have reported on the relationship between ORP and chlorine’s activity with germs and bacteria. They’ve concluded that ORP significantly predicts water bacterial quality better than other methods. As a result, in most states, the highly regulated commercial pool industry requires ORP testing.

What is balanced water?

Water balance is composed of several key factors — pH, total alkalinity, calcium hardness and TDS. All of these factors are important, but none more so than pH. pH is a measurement of the concentration of hydrogen ions in water. It is measured using a logarithmic scale from 0 to 14, with pH 7 being neutral.

For pool water to be in balance, all factors must be in their proper range. That range may vary slightly depending on the finish of the pool and the average temperature of the pool water. The one value that never changes is pH. It must be maintained between 7.2 and 7.8 for a pool to be considered “balanced.”

WATER QUALITY PARAMETER	IDEAL LEVELS
Salt	2700 to 3400 ppm
Free Chlorine	1.0 to 3.0 ppm
pH	7.2 to 7.8
Cyanuric Acid (Stabilizer)	60 to 80 ppm (80 ppm best)
Total Alkalinity	80 to 120 ppm
Calcium Hardness	200 to 400 ppm
Metals	0 ppm
Saturation Index	-2 to 2 (0 basil)



Hayward and Goldline Controls-brand electronic chlorine generation systems all generate their own chlorine from a low concentration of salt dissolved into the pool water to create 100% of the pool's sanitizing needs.

Will the pool water taste salty?

No. The concentration of salt in the pool water is approximately 1/10 of the level in the ocean and is below the level of taste for most people. This level of salt is equivalent to 1 teaspoon of salt in a gallon of water. Encourage anybody who is concerned to do a "taste test".

Types of salt

Electronic chlorine generators use ordinary food grade, solar salt or water softener salt. Regardless of which type of salt you chose ensure that it is at least 99% pure salt (NaCl). Never use rock salt (ice melt) or salts that have more than 1% of "anti-caking agents", "yellow prussiate of soda", or "sodium ferrocyanide" added as these compounds may cause staining of the pool. Salt is available from most distributors in 40–80 pound bags.

Amount of salt to add to the pool

Hayward and Goldline Controls-brand electronic chlorine generation systems require salt levels between 2700 and 3400 ppm. This amount of salt is below the level of taste for most people and is the equivalent of 1 teaspoon of salt per gallon. **Since all chlorine added to a pool eventually reverts to salt, it is very important to measure the salt level in existing pools before adding any salt.**

How to add salt

After determining the amount of salt to add from the table above, hold 1 or 2 bags in reserve. Dump the remaining bags directly into the pool and brush the salt around to speed up the dissolving process. Do not allow the salt to sit in a pile at the bottom of the pool. Salt water is heavier than fresh water so the salt water will tend to accumulate at the deepest part of the pool. Run the filter system with the suction coming from the main drain for 24 hours to evenly distribute the salt throughout the pool. Note: For new plaster pools, consult with the applicator for the recommended cure time before adding salt.

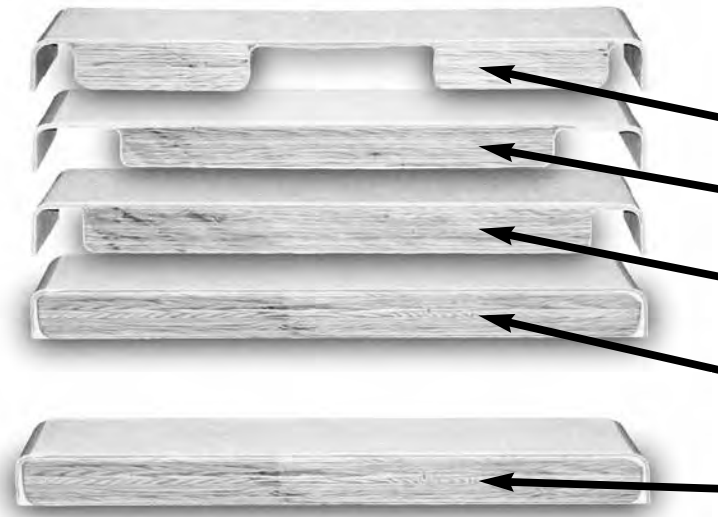
Salt Display

The salt display responds slowly to rapid changes in salt level. It takes up to 24 hours of circulation for the salt to be evenly distributed in the pool. Be patient and do not over-react by adding too much salt. If the salt level is still low after 24-48 hours, add the reserve bags (see "How to add salt" above) to the pool.

Current Salt Level (ppm)	Pounds of Salt Required for 3200 ppm																
	Pool Size – Gallons																
	8,000	10,000	12,000	14,000	16,000	18,000	20,000	22,000	24,000	26,000	28,000	30,000	32,000	34,000	36,000	38,000	40,000
0	213	267	320	373	427	480	533	587	640	693	747	800	853	907	960	1013	1067
200	200	250	300	350	400	450	500	550	600	650	700	750	800	850	900	950	1000
400	187	233	280	327	373	420	467	513	560	607	653	700	747	793	840	887	933
600	173	217	260	303	347	390	433	477	520	563	607	650	693	737	780	823	867
800	160	200	240	280	320	360	400	440	480	520	560	600	640	680	720	760	800
1000	147	183	220	257	293	330	367	403	440	477	513	550	587	623	660	697	733
1200	133	167	200	233	267	300	333	367	400	433	467	500	533	567	600	633	667
1400	120	150	180	210	240	270	300	330	360	390	420	450	480	510	540	570	600
1600	107	133	160	187	213	240	267	293	320	347	373	400	427	453	480	507	533
1800	93	117	140	163	187	210	233	257	280	303	327	350	373	397	420	443	467
2000	80	100	120	140	160	180	200	220	240	260	280	300	320	340	360	380	400
2200	67	83	100	117	133	150	167	183	200	217	233	250	267	283	300	317	333
2400	53	67	80	93	107	120	133	147	160	173	187	200	213	227	240	253	267
2600	40	50	60	70	80	90	100	110	120	130	140	150	160	170	180	190	200
2800	27	33	40	47	53	60	67	73	80	87	93	100	107	113	120	127	133
3000	13	17	20	23	27	30	33	37	40	43	47	50	53	57	60	63	67
3200	ideal	ideal	ideal	ideal	ideal	ideal	ideal	ideal	ideal	ideal	ideal	ideal	ideal	ideal	ideal	ideal	ideal
3400	ok	ok	ok	ok	ok	ok	ok	ok	ok	ok	ok	ok	ok	ok	ok	ok	ok

InterFab Reference Pages / Technical Info

DIVING BOARD CONSTRUCTION (WOOD CORE BOARDS):



THERE ARE 5 TYPES OF WOOD CORE DIVING BOARD CONSTRUCTION:

- Duro-Beam / Aqua Board (6', 8', 10')
- Duro-Spring (6', 8')
- Techni-Beam (6', 8', 10', 12')
- Baja (6', 8')
- Olympian (6', 8', 10')
- Commercial (10', 12', 14', 16')

INTER-FAB DIVING BOARD COLOR OPTIONS FOR WOOD CORE BOARDS:

DIVING BOARDS:

Standard Colors = Polar White w/White Top Tread OR Linear Blue w/White Top Tread

Custom Colors* = Black w/Gray Top Tread: -2; Tan w/Tan Top Tread: -7; Gray w/Gray Top Tread: -9

PLEASE BE SURE TO ADD CUSTOM COLOR CODE BEHIND PART # WHEN ORDERING.

* **NOTE:** The 12' Techni-Beam and all Commercial Boards (10', 12', 14', & 16') only available in standard colors.

INTER-FAB BOARD TO BASE COMPATIBILITY CHART **

BASE TYPE	DURO-BEAM			DURO-SPRING		TECHNI-BEAM				BAJA		OLYMPIAN			COMMERCIAL			
	6'	8'	10'	6'	8'	6'	8'	10'	12'	6'	8'	6'	8'	10'	10'	12'	14'	16'
La Mesa 6'	S	-	-	-	-	U1	-	-	-	-	-	U2	-	-	-	-	-	-
La Mesa 8'	-	S	-	-	-	-	U1	-	-	-	-	-	U2	-	-	-	-	-
La Mesa 10'	-	-	S	-	-	-	-	U1	-	-	-	-	-	U2	-	-	-	-
Los Arcos 6'	S	-	-	-	-	U1	-	-	-	-	-	U2	-	-	-	-	-	-
Los Arcos 8'	-	S	-	-	-	-	U1	-	-	-	-	-	U2	-	-	-	-	-
Duro-Spring 6'	-	-	-	S	-	-	-	-	-	-	-	-	-	-	-	-	-	-
Duro-Spring 8'	-	-	-	-	S	-	-	-	-	-	-	-	-	-	-	-	-	-
U-Stand 12"	S	S	-	-	-	U1	U1	-	-	-	-	U2	U2	-	-	-	-	-
U-Stand 18"	S	S	S	-	-	U1	U1	U1	-	-	-	U2	U2	U2	U3	-	-	-
U-Stand 24"	-	-	S	-	-	-	-	U1	U1	-	-	-	-	U2	U3	U3	-	-
Techni-Spring (Steel) 6'	-	-	-	-	-	S	-	-	-	-	-	U1	-	-	-	-	-	-
Techni-Spring (Steel) 8'	-	-	-	-	-	-	S	-	-	-	-	-	U1	-	-	-	-	-
Techni-Spring (Fiberglass) 6'	-	-	-	-	-	S	-	-	-	-	-	U1	-	-	-	-	-	-
Techni-Spring (Fiberglass) 8'	-	-	-	-	-	-	S	-	-	-	-	-	U1	-	-	-	-	-
Baja 6'	-	-	-	-	-	-	-	-	-	S	-	-	-	-	-	-	-	-
Baja 8'	-	-	-	-	-	-	-	-	-	-	S	-	-	-	-	-	-	-
CITY-6	S	-	-	-	-	U1	-	-	-	-	-	U2	-	-	-	-	-	-

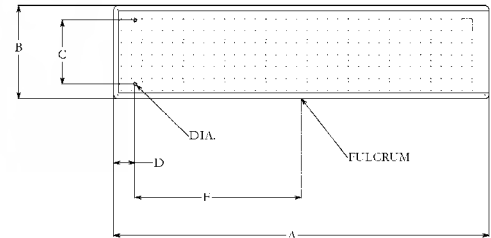
CHART KEY:

S = STANDARD; U1 = UPGRADE 1; U2 = UPGRADE 2; U3 = UPGRADE 3; - = NOT AVAILABLE

** **NOTE:** The Chart above refers to standard wood core diving boards and standard fiberglass and steel diving bases. **THE T7 & EDGE DIVING SYSTEMS INCLUDE COMPONENTS MANUFACTURED OUT OF ADVANCED COMPOSITE MATERIALS AND ARE DESIGNED TO BE USED EXCLUSIVELY FOR THE T7 & EDGE DIVING SYSTEMS. THEY CANNOT BE INTERCHANGED.**

DURO-BEAM BOARD: / AQUA BOARD:

Part # DB6
Part # DB8
Part # DB10



Duro-Beam Features:

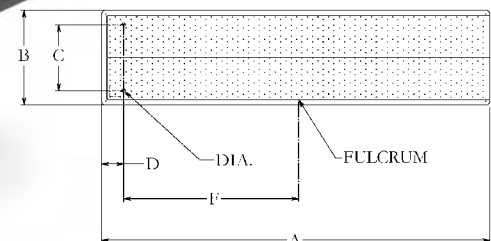
- Dual Beam Laminated Core
- Durable Non-Fading, Skid Resistant Acrylic Surface
- Fiberglass Reinforced for Superior Strength
- See Available Board Colors on Pg. 2

Model #	Nominal Length	Pool Type	Use with Base Type	Colors
DB6	6'	I-V	La Mesa/Los Arcos, U-Stands	White, Blue, Black, Tan, Gray
DB8	8'	II-V	La Mesa/Los Arcos, U-Stands	White, Blue, Black, Tan, Gray
DB10	10'	III-V	La Mesa, U-Stands	White, Blue, Black, Tan, Gray

Model #	Nominal Length	A	B	C	D	F	DIA.
DB6	6'	70.25"	17.25"	12.00"	4.00"	30.00"	19/32"
DB8	8'	94.00"	17.25"	12.00"	4.00"	40.00"	19/32"
DB10	10'	117.50"	17.25"	12.00"	4.00"	52.00"	19/32"

TECHNI-BEAM BOARD:

Part # TB6
Part # TB8
Part # TB10
Part # TB12



Techni-Beam Features:

- 14" Wide Solid Laminated Core
- Durable Non-Fading, Skid Resistant Acrylic Surface
- Fiberglass Reinforced for Superior Strength
- See Available Board Colors on Pg. 2

Model #	Nominal Length	Pool Type	Use with Base Type	Colors
TB6	6'	I-V	La Mesa/Los Arcos, Techni-Spring, U-Stands	White, Blue, Black, Tan, Gray
TB8	8'	II-V	La Mesa/Los Arcos, U-Stands	White, Blue, Black, Tan, Gray
TB8	8'	III-V	Techni-Spring	White, Blue, Black, Tan, Gray
TB10	10'	III-V	La Mesa, U-Stands	White, Blue, Black, Tan, Gray
TB12	12'	V	U-Stands, Stands by other manufacturers	White, Blue

Model #	Nominal Length	A	B	C	D	F	DIA.
TB6	6'	70.25"	17.25"	12.00"	4.00"	30.00"	19/32"
TB8	8'	94.00"	17.25"	12.00"	4.00"	40.00"	19/32"
TB10	10'	117.50"	17.25"	12.00"	4.00"	52.00"	19/32"
TB12	12'	142.00"	17.25"	12.00"	4.00"	62.00"	19/32"

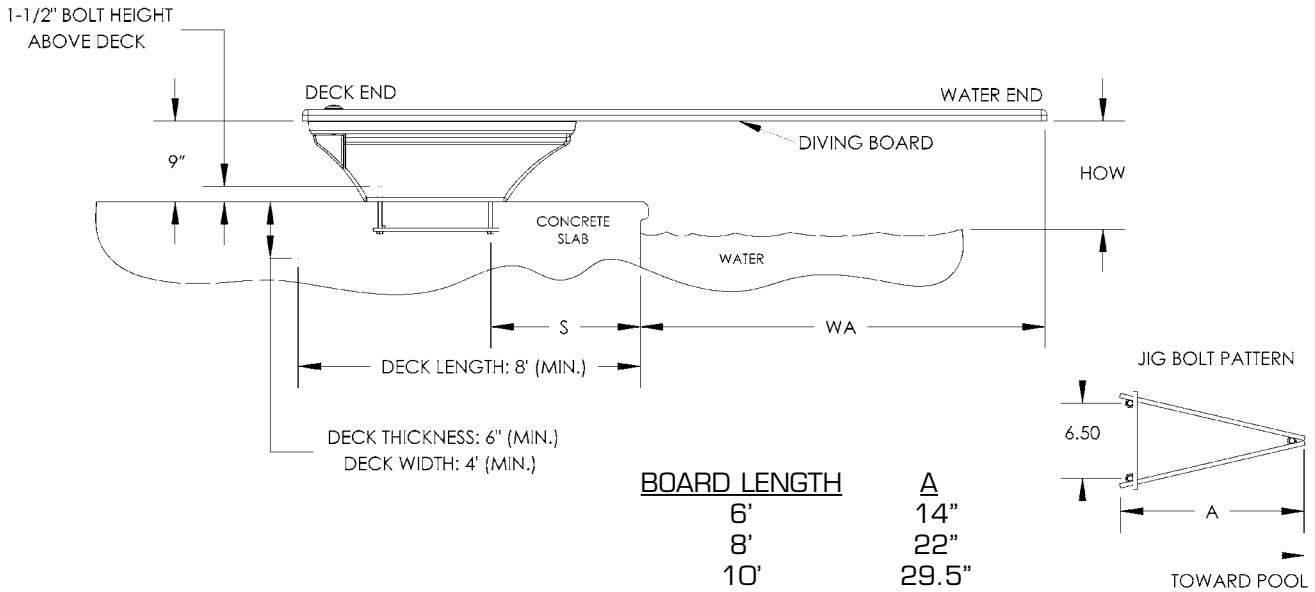
LA MESA BASE:



Part # LAM6 (La Mesa base, 6' jig & hardware)
 Part # LAM8 (La Mesa base, 8' jig & hardware)
 Part # LAM10 (La Mesa base, 10' jig & hardware)

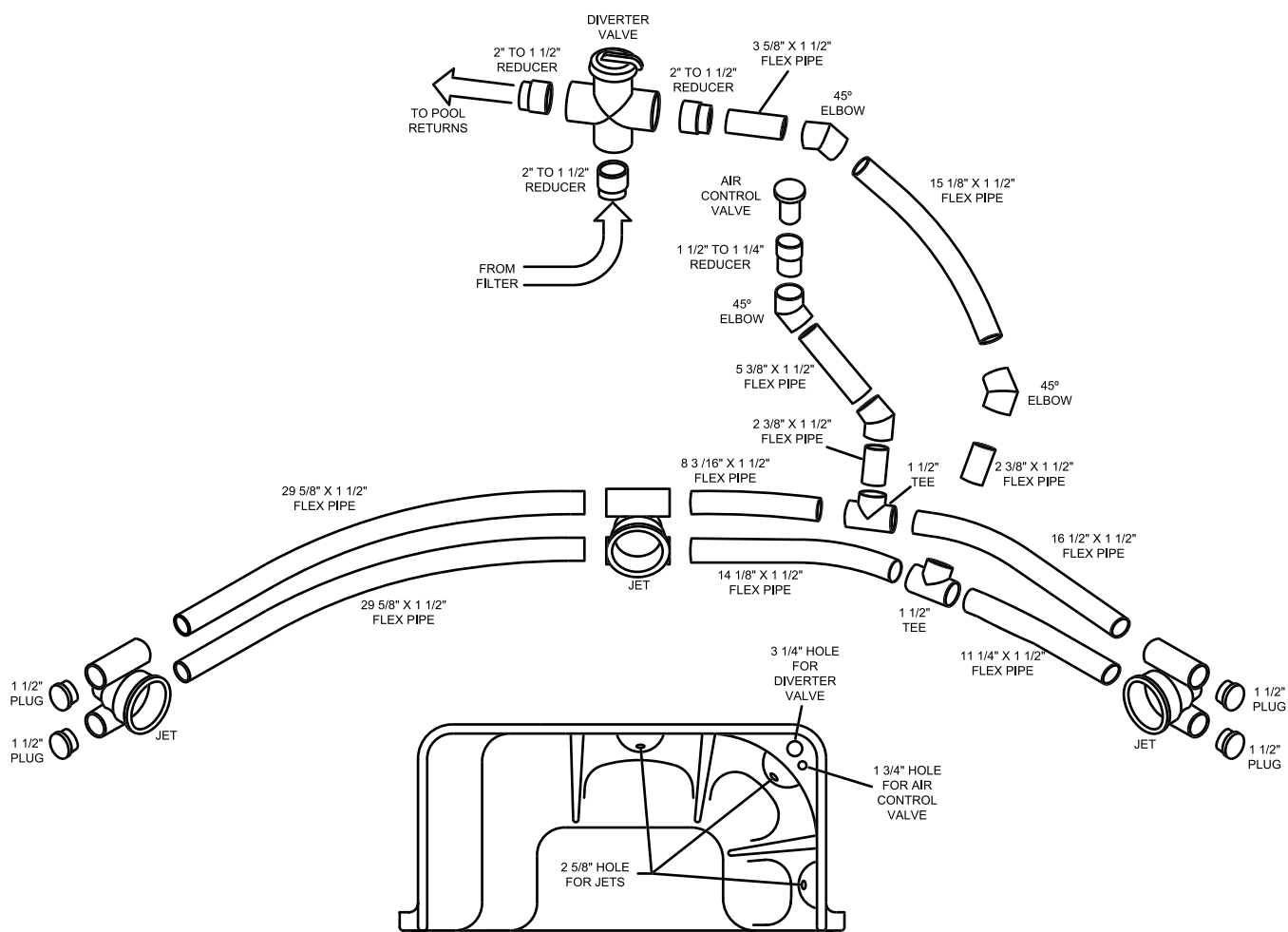
FEATURES:

- Passive Base - Spring Feature is Derived from Board
- Durable & Long Lasting Acrylic & Fiberglass Construction
- Available for Use With 6', 8', & 10' Length Boards
- 2 Hole Drill Pattern 12" on center
- Refer to Board Chart on Pg. 7
- Refer to Available Base Colors on Pg. 7

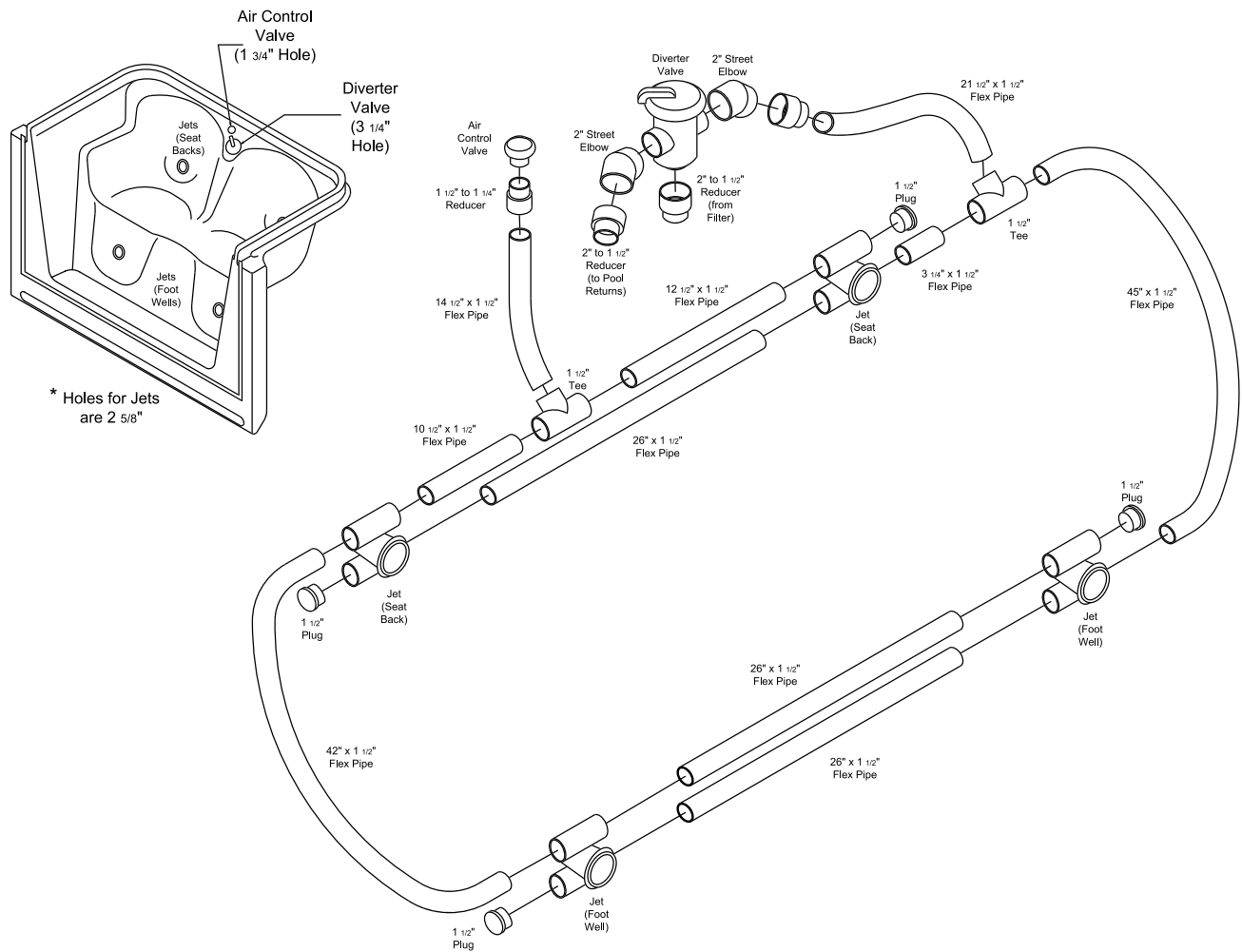


IMPORTANT:	LA MESA PART #	NOMINAL BOARD LENGTH	ANSI/NSPI-5 POOL TYPE	DISTANCE FROM WATER'S EDGE TO FORWARD JIG BOLT (S)	DISTANCE FROM END OF BOARD TO FORWARD JIG BOLT	MIN. OVERHANG PLUS OR MINUS 3" (WA)	MAX HEIGHT OF BOARD ABOVE WATER (HOW)	
								THESE DIMENSIONS ARE ACCURATE ONLY FOR VERTICAL POOL WALLS, TYPICALLY GUNITE CONSTRUCTION , WITH LESS THAN A 3' RADIUS TO THE POOL FLOOR.
DUE TO THE VARYING SIZES OF OTHER POOLS, TYPICALLY VINYL LINER CONSTRUCTION , PLEASE CONTACT CUSTOMER SERVICE FOR PROPER JIG PLACEMENT. 1-800-737-5386	LAM6	6'	I	27.5"	45.5"	18"	20"	
	LAM6	6'	II	27.5"	45.5"	18"	20"	
	LAM6	6'	III	21.5"	45.5"	24"	26"	
	LAM6	6'	IV	15.5"	45.5"	30"	30"	
	LAM6	6'	V	9.5"	45.5"	36"	40"	
	LAM8	8'	I	Cannot Put 8' diving board on a type I pool				
	LAM8	8'	II	41.25"	59.25"	18"	20"	
	LAM8	8'	III	35.25"	59.25"	24"	26"	
	LAM8	8'	IV	29.25"	59.25"	30"	30"	
	LAM8	8'	V	23.25"	59.25"	36"	40"	
	LAM10	10'	I	Cannot Put 10' diving board on a type I pool				
	LAM10	10'	II	Cannot Put 10' diving board on a type II pool				
	LAM10	10'	III	51.5"	75.5"	24"	26"	
	LAM10	10'	IV	45.5"	75.5"	30"	30"	
	LAM10	10'	V	39.5"	75.5"	36"	40"	

Suggested Plumbing for 8' Step-N-Spa (using 1 1/2" Flex Pipe)



Suggested Plumbing for 6' Lazy Lounge (using 1 1/2" Flex Pipe)



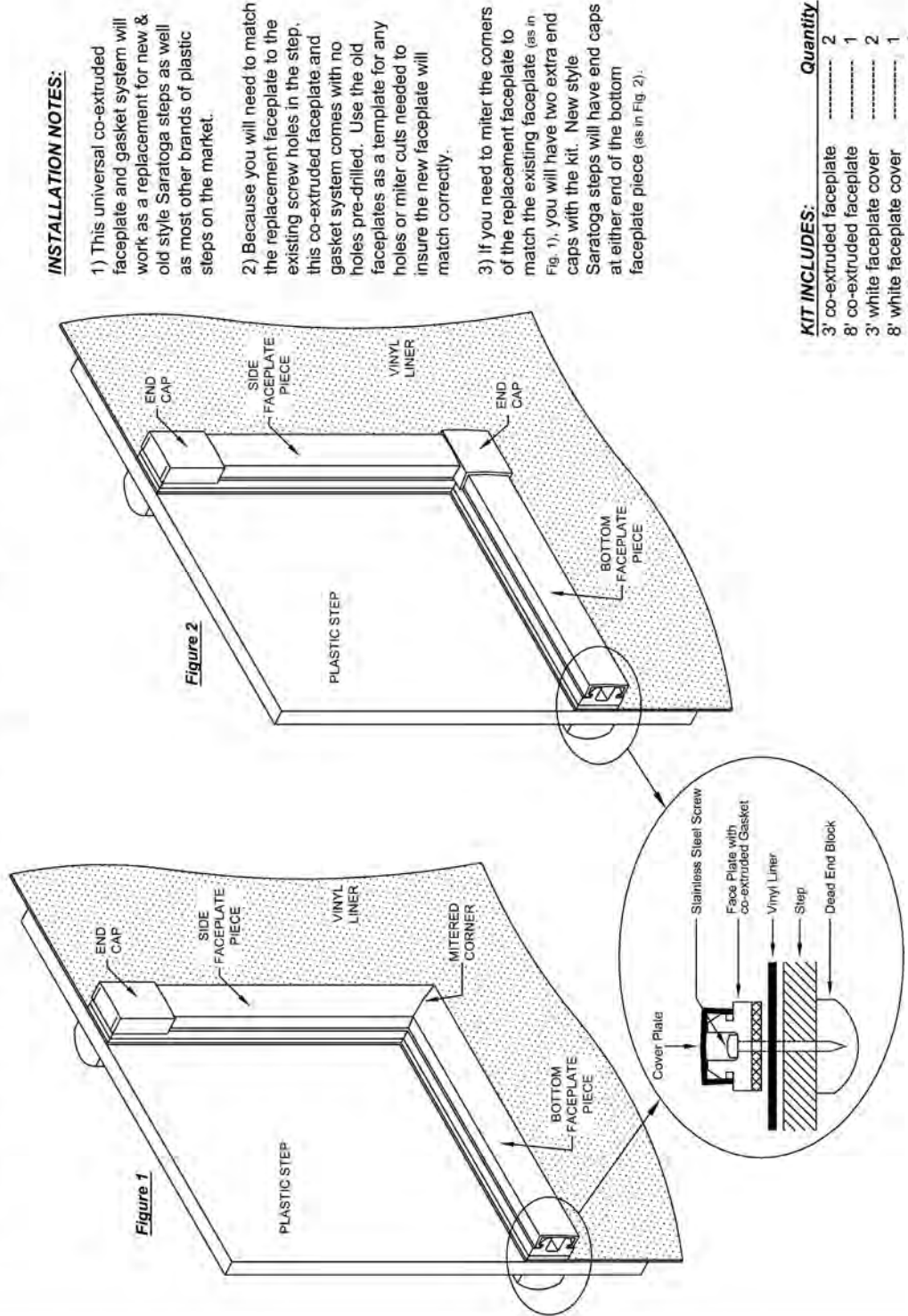


33 Wade Road
Latham, NY 12110
800-444-9977

Attention Installer



UNIVERSAL REPLACEMENT INSTRUCTIONS ALL NEW FACEPLATE SYSTEM WITH CO-EXTRUDED ATTACHED GASKET (PATENT PENDING)



INSTALLATION NOTES:

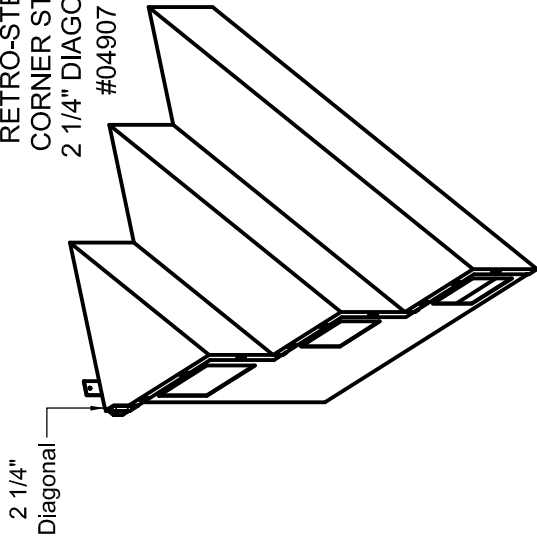
- 1) This universal co-extruded faceplate and gasket system will work as a replacement for new & old style Saratoga steps as well as most other brands of plastic steps on the market.
- 2) Because you will need to match the replacement faceplate to the existing screw holes in the step, this co-extruded faceplate and gasket system comes with no holes pre-drilled. Use the old faceplates as a template for any holes or miter cuts needed to insure the new faceplate will match correctly.
- 3) If you need to miter the corners of the replacement faceplate to match the existing faceplate (as in Fig. 1), you will have two extra end caps with the kit. New style Saratoga steps will have end caps at either end of the bottom faceplate piece (as in Fig. 2).

KIT INCLUDES:

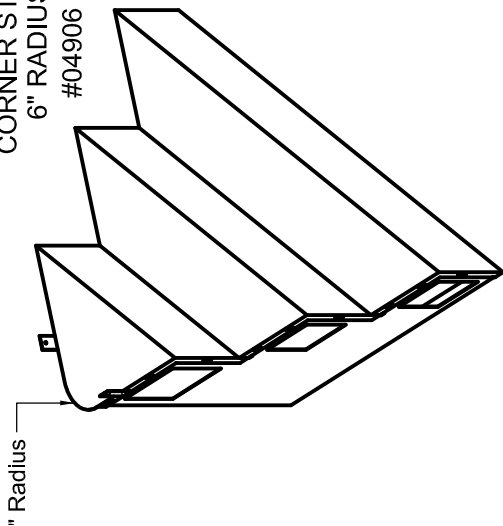
Item	Quantity
3' co-extruded faceplate	2
8' co-extruded faceplate	1
3' white faceplate cover	2
8' white faceplate cover	1
white faceplate end caps	4
SS Phillips head screws	70

Retro-Steel 7' Drop-In Corner Stair

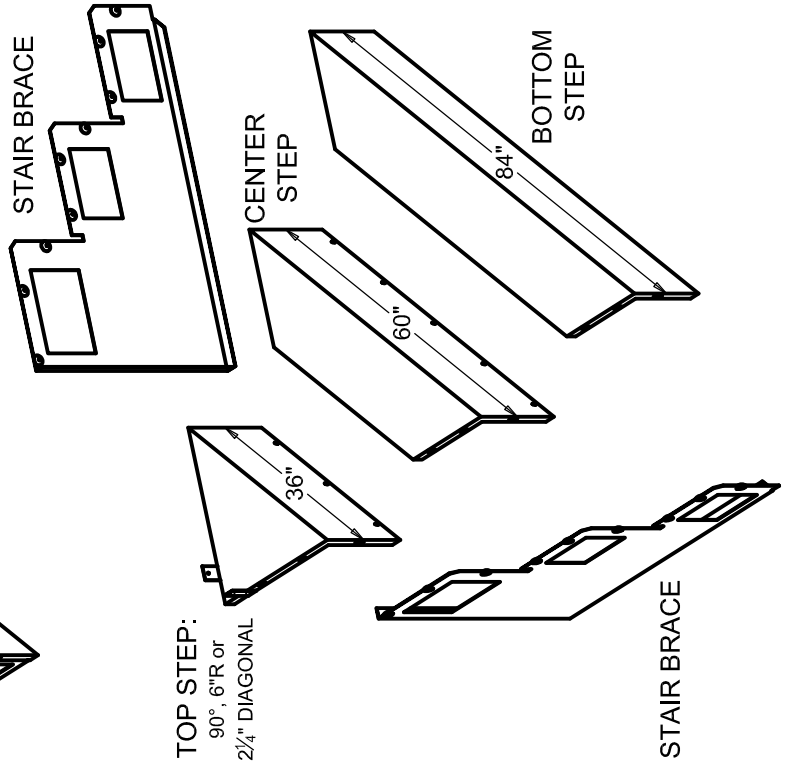
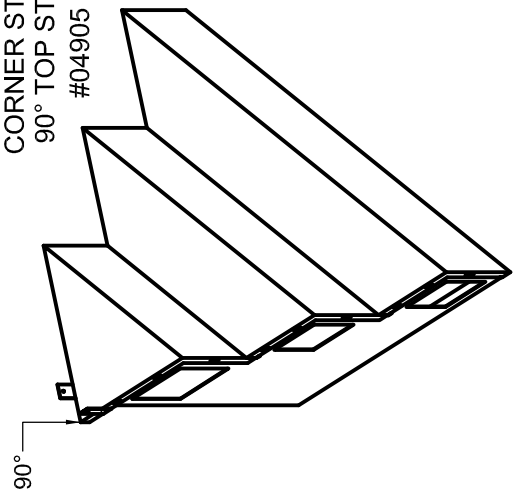
7' DROP-IN
RETRO-STEEL
CORNER STAIR
2 1/4" DIAGONAL
#04907



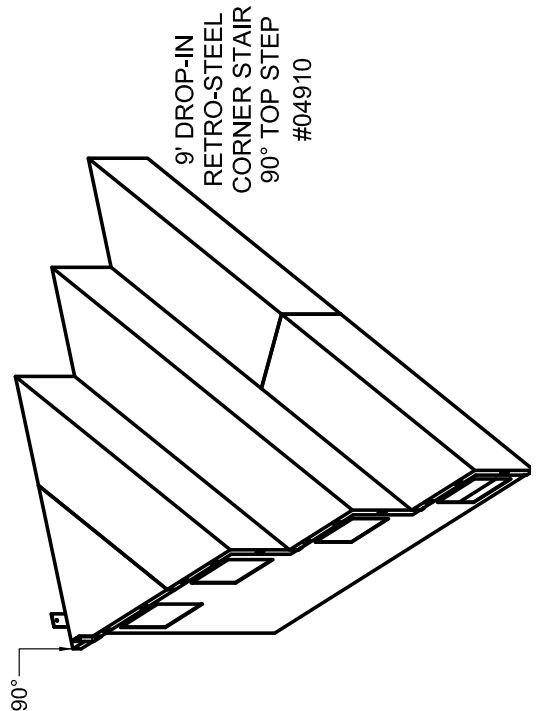
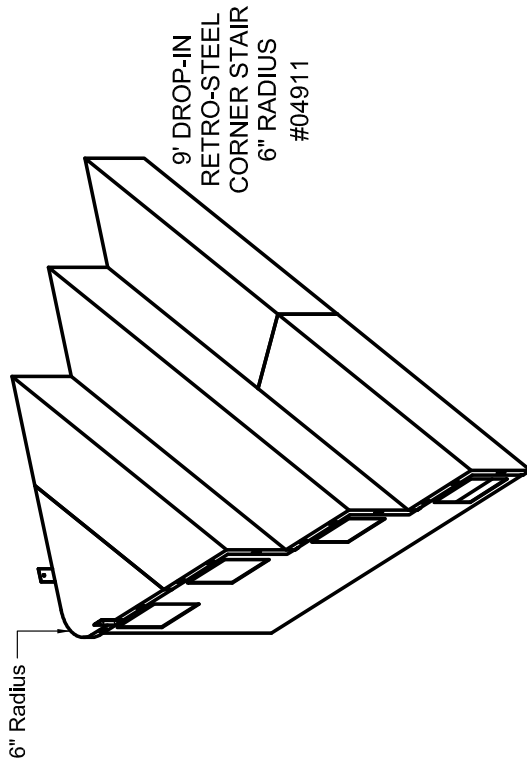
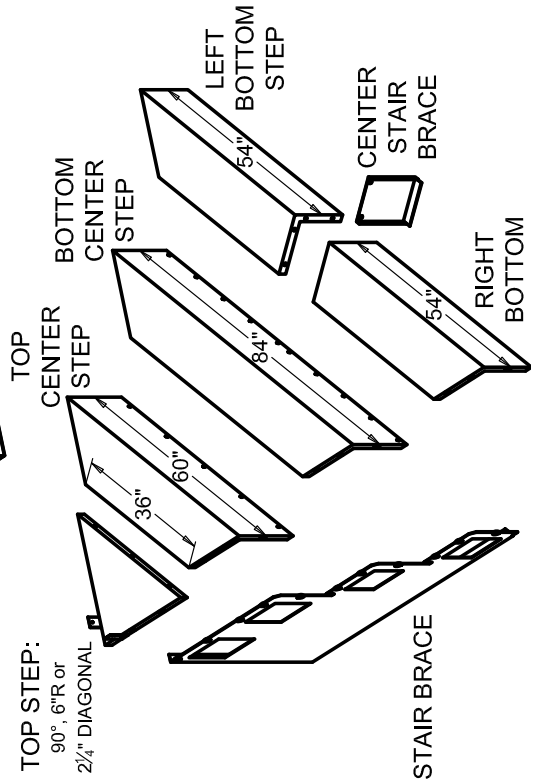
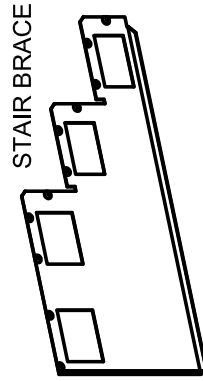
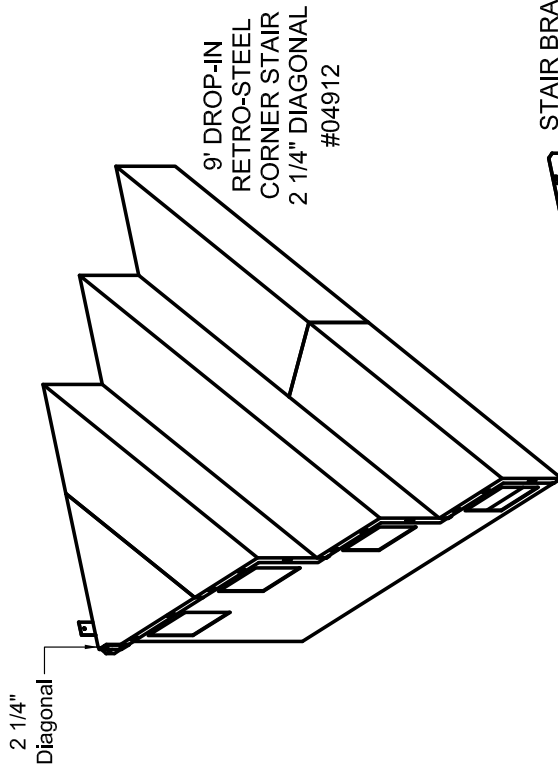
7' DROP-IN
RETRO-STEEL
CORNER STAIR
6" RADIUS
#04906



7' DROP-IN
RETRO-STEEL
CORNER STAIR
90° TOP STEP
#04905



Retro-Steel 9' Inside Corner Stair

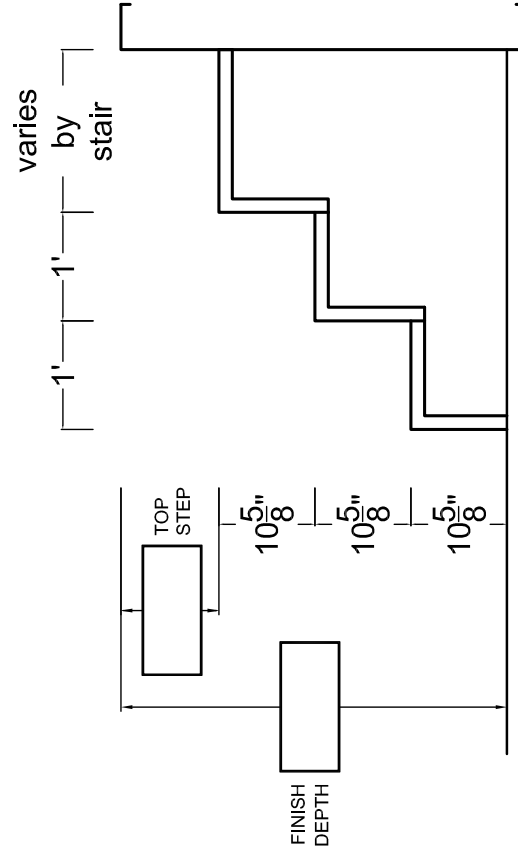




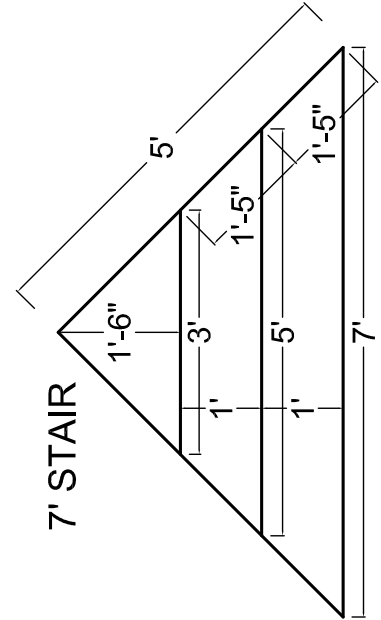
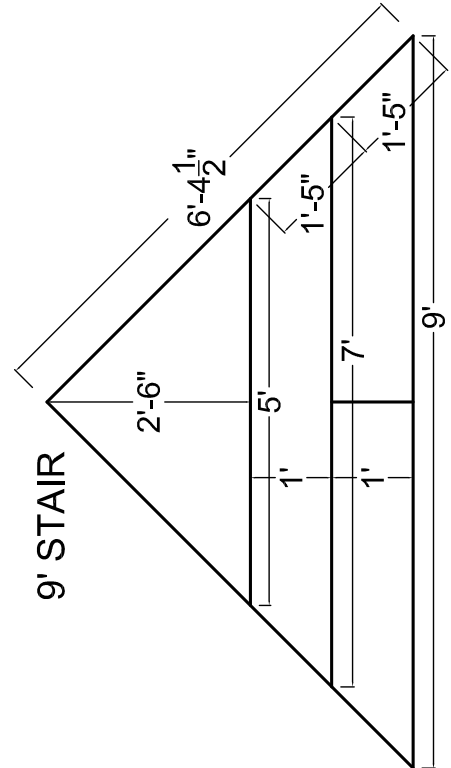
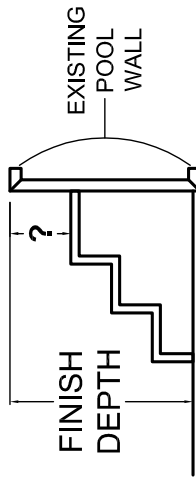
RETRO-STEEL 7' & 9' DROP-IN CORNER STAIR

FILL OUT AND RETURN WITH LINER ORDER FORM

RETRO-FIT STAIR SIZE	CORNER TYPE	STAIR LOCATION
<input type="checkbox"/> 9' STAIR	<input type="checkbox"/> 90°	<input type="checkbox"/> LEFT CORNER
<input type="checkbox"/> 7' STAIR	<input type="checkbox"/> 2 1/4" DIAGONAL	<input type="checkbox"/> RIGHT CORNER
	<input type="checkbox"/> 6" RADIUS	(SHALLOW LOOKING DEEP)



HEIGHT OF TOP STEP WILL VARY DEPENDING ON FINISH DEPTH OF SHALLOW END. TOP STEP MUST BE MEASURED TO ENSURE PROPER LINER FIT.



If you have any questions about this product, call Imperial Pools Manufacturing Corporate Services at 1-800-444-9977.

Literature Order Form



LITERATURE Order Form

Company Name: _____ **Contact:** _____

Mailing Address: _____ **Attention:** _____

Shipping Address: _____

City: _____ **State:** _____ **ZIP:** _____

E-mail: _____ **Telephone:** _____

Liner Collection Brochures:

Item Number	Description	Quantity	Cost ea.	Total Cost
25133GEOD	Grecian Collection Brochure	_____	N/C	N/C

Product Support Materials - *Limit of 2 per dealer location.*

Item Number	Description	Quantity	Cost ea.	Total Cost
WS6789G	Warranty Sample Grecian Collection		N/C	N/C

Samples - Limited Availability

Charges May Apply

Regional Sales Directors' Approval Required

Sample Sets:

Item Number	Description	Quantity	Cost ea.	Total Cost
GRECIANSAMPLE	Grecian Series Liner Sample Set (carrier)	_____	\$ 25.00	\$0.00
BS9976G	GLI Beaded Sampe Set Complete	_____	\$ 25.00	\$0.00
BEADSETG	Grecian Bead Sample Set	_____	N/C	N/C

Special or Individual Pattern Sample Request:

All Orders for samples should be faxed or emailed to your local Imperial Distribution Center.

Order Total: \$0.00

Inground Liners



REPLACEMENT

NEW POOL

PO Number: _____

Please Fax or E-Mail Completed Order Forms to Your Local Imperial Distribution Center

Date: _____

POOL SIZE: _____ FT _____ IN **X** _____ FT _____ IN **Dealer Name:** _____

SHAPE: _____ **Address:** _____

SQUARE FT: _____ **City/State:** _____ **Zip:** _____

COLLECTION: Grecian _____ **Phone:** _____ **Fax:** _____

WALL PATTERN: _____ **MIL:** _____ **E-Mail:** _____

FLOOR: _____ **MIL:** _____ **Ship To Name:** _____

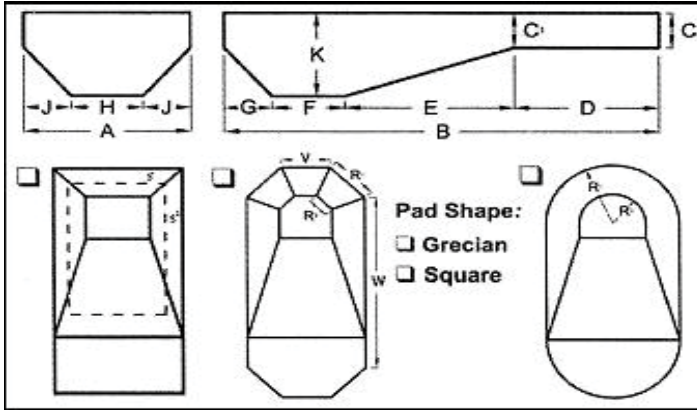
BEAD STYLE: _____ **Address:** _____

Overlap Liner? _____ **Aboveground Liner?** _____ **City/State:** _____ **Zip:** _____

Safety Ledge? _____ **(Fill In Measurements S1 & S2)** **Job Name:** _____

If not specified, Standard 20 mil will apply

Note: Width (A) view is standing at shallow end facing deep end.



Please check the appropriate shape and attach drawing for the following:

- | | | | | |
|--|--|-----------------------------|----|----|
| <input type="checkbox"/> Jewel | <input type="checkbox"/> Kidney | <input type="checkbox"/> S1 | ft | in |
| <input type="checkbox"/> Mountain Lake | <input type="checkbox"/> Rectangle Lazy EL | <input type="checkbox"/> S2 | ft | in |
| <input type="checkbox"/> Lagoon | <input type="checkbox"/> Rectangle True EL | <input type="checkbox"/> R1 | ft | in |
| <input type="checkbox"/> Keyhole | <input type="checkbox"/> Grecian Lazy EL | <input type="checkbox"/> R2 | ft | in |
| <input type="checkbox"/> Patio | <input type="checkbox"/> Freeform | <input type="checkbox"/> V: | ft | in |
| <input type="checkbox"/> Roman End | <input type="checkbox"/> Other | <input type="checkbox"/> W: | ft | in |

Corner Type



Square
 Diagonal
 Radius
 ft _____ in

- Call When Ready
- Call With Price
- Ship Via Imperial Truck
- Direct Ship Via Common C
- Special Instructions: _____

Vinyl Covered Features:

Size: _____
 Position: _____
 Color: _____

PLEASE CHECK ALL DIMENSIONS
 J+H+J=A
 D+E+F+G=B
 STAIR RISERS =C

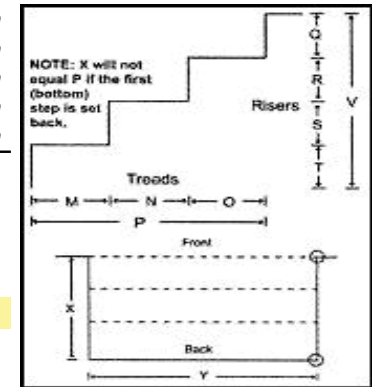
- A: _____ ft _____ in
 B: _____ ft _____ in
 C: _____ ft _____ in
 C1: _____ ft _____ in
 D: _____ ft _____ in
 E: _____ ft _____ in
 F: _____ ft _____ in
 G: _____ ft _____ in
 H: _____ ft _____ in
 I: _____ ft _____ in
 J: _____ ft _____ in
 K: _____ ft _____ in
 S1: _____ ft _____ in
 S2: _____ ft _____ in
 R1: _____ ft _____ in
 R2: _____ ft _____ in
 V: _____ ft _____ in
 W: _____ ft _____ in

STAIRS

- Steel
 Plastic
 Patch
 Size: _____
 Manuf: _____
 Color: _____
 Position (shallow looking deep)
 CSE 4-CRN-L
 3-CRN-L 4-CRN-R
 3-CRN-R Other

Complete Separate Step Form

- M: _____ S: _____
 N: _____ T: _____
 O: _____ V: _____
 P: _____ X: _____
 Q: _____ W: _____
 R: _____



Corners: _____ Front: _____
 Rear: _____

The prompt production and delivery of your liner will depend upon the accuracy and completeness of this request. All information must be complete. Conditions and terms of sale are listed in the Accessory Directory. Each liner is marked as to type and is packed with a warranty, safety decals, signs, and other related safety material and instructions for their proper use. I hereby authorize the production of a special order vinyl liner in accordance with the design and acknowledge that the manufacturer has not participated in either the design or specifications of this liner, and accepts no responsibility for the same. I further agree to pay for in full any and all claims and expenses that may arise from the design or use of said special liner.

Signed _____

Stair & Step

33 WADE RD • LATHAM, NY 12110
(518)786-1200 • FAX (518)786-1476



STAIR LAYOUT

THERMOPLASTIC STEP INFORMATION

Step Location: _____
 Step Size: _____
 Step Type: Radius
 Straight

STEEL STAIR INFORMATION

Stair Location: _____
Note: Stair position is always standing shallow facing deep.

Stair Corners

Front Corners: _____
 Back Corners: _____
 Stair Set Back: _____
 Stair Manufacturer: _____
 Vinyl Stair Color: _____

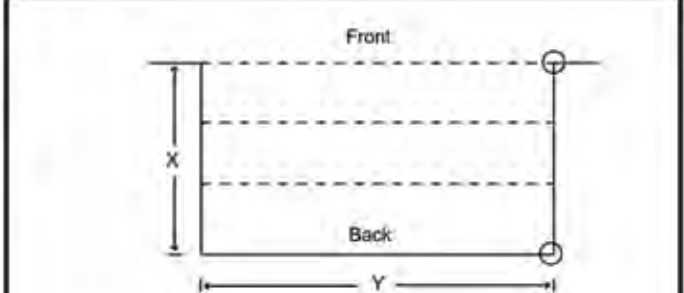
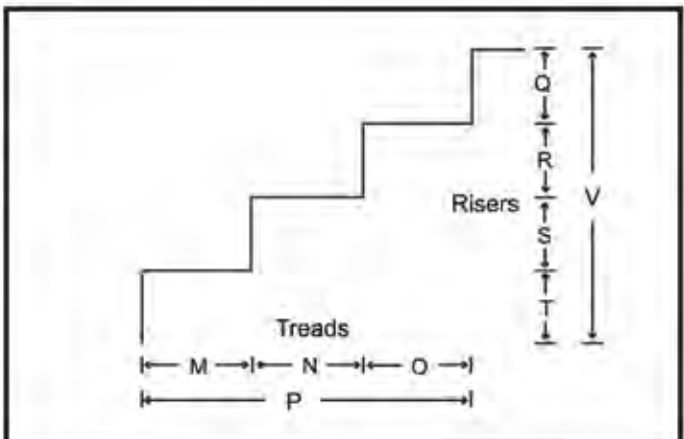
Note: If no stair material specified, standard color will be ordered.

Riser Measurements	Tread Measurements
Q _____	M _____
R _____	N _____
S _____	O _____
T _____	P _____
V _____	

Stair Width: _____ Stair Depth: _____

Y _____ X _____

DATE: _____ PO# _____
 JOB NAME: _____
ORDERED BY: _____
 NAME: _____
 ADDRESS: _____
 CITY/STATE: _____ ZIP: _____
 PHONE: _____ FAX: _____
 E-MAIL ADDRESS: _____
SHIP TO: _____
 NAME: _____
 ADDRESS: _____
 CITY/STATE: _____ ZIP: _____
 PHONE: _____
 SHIP VIA: _____
 CALL WHEN READY CALL WITH PRICE
 Special instructions: _____



NOTE:
 X will not equal P if the first (bottom) step is set back.

The prompt production and delivery of your liner will depend on the accuracy and completeness of this request. No custom liner will be started unless all information is complete. Conditions and terms of sales are the same as those found in the accessory catalog. Each pool liner is marked as to type (as defined by the latest applicable A.R.S.P. Standards for residential pools) and is packed with a warranty, safety decal signs and other related safety material and instructions for their proper use. I hereby authorize _____ to produce as a special order a vinyl liner for an inground pool in accordance with the design and acknowledge that

SIGNED: _____

Order Form :: Rectangle



Date: _____ P.O. #: _____

Customer: _____

SHIPPING INSTRUCTIONS

Ship Via: _____

Call When Ready Call With Price

Mark Box: _____

ORDERED BY

Name: _____

Address: _____

City/State: _____

Zip: _____

Phone: _____

Fax: _____

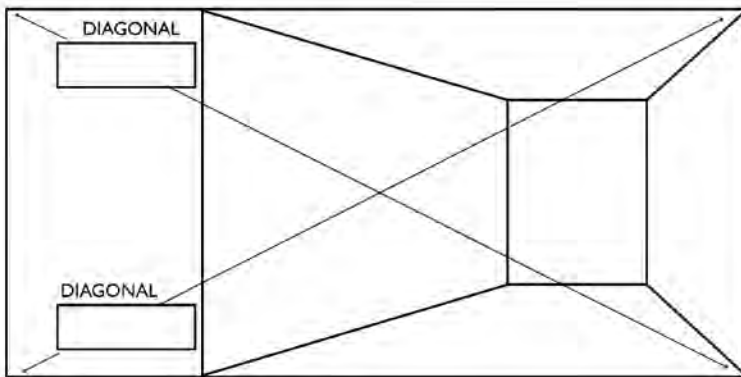
SHIP TO

Name: _____

Address: _____

City/State: _____

Zip: _____



PATTERN:

Sidewall: _____ Mil: _____

Bottom: _____ Mil: _____

Plastic Step Unit

Draw location on order form for placement of sidewall seam.

Steel Step

Send complete stair layout order form with order.

No Step

ATTACHMENT TO WALL:

Snap In (beaded)

Overlap

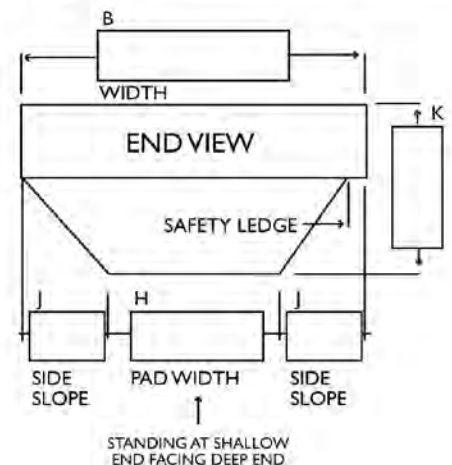
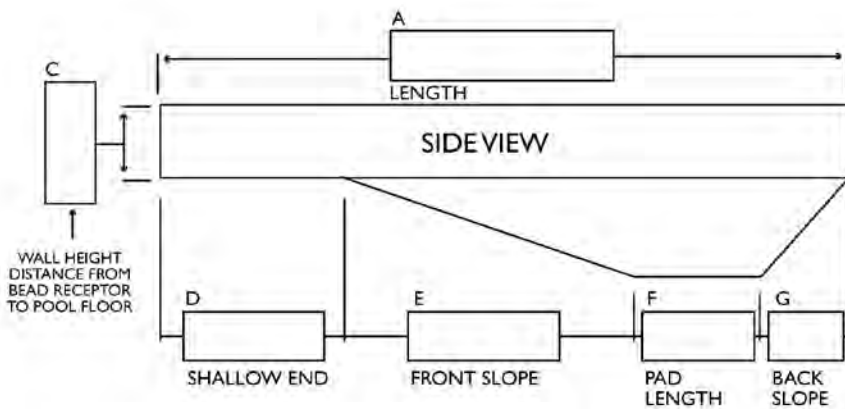
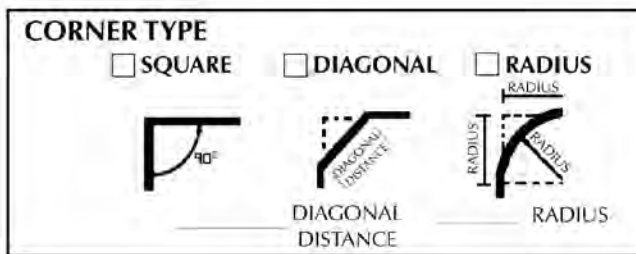
The prompt production and delivery of your liner will depend on the accuracy and completeness of this request. No custom liner will be started unless all information is complete.

Conditions and terms of sale are the same as those found in the Accessory Catalog.

Each V.W. pool liner is marked as to type (as defined by the latest applicable N.S.P.I. standards for residential pools) and is packed with a warranty, safety decals, sign and other related safety material and instructions for their proper use.

I hereby authorize _____ to produce as a special order a vinyl liner for an inground pool in accordance with the design and acknowledges that Vinyl Works, Inc. has not participated in either the design or specifications of this liner and accepts full responsibility for the same. I further agree not to hold Vinyl Works, Inc. liable, that is, I will pay for in full for any and all claims and expenses that may arise out of the design or use of said special liner.

Signed: _____



Order Form :: Grecian



Date: _____ P.O. #: _____

Customer: _____

SHIPPING INSTRUCTIONS

Ship Via: _____

Call When Ready Call With Price

Mark Box: _____

ORDERED BY

Name: _____

Address: _____

City/State: _____

Zip: _____

Phone: _____

Fax: _____

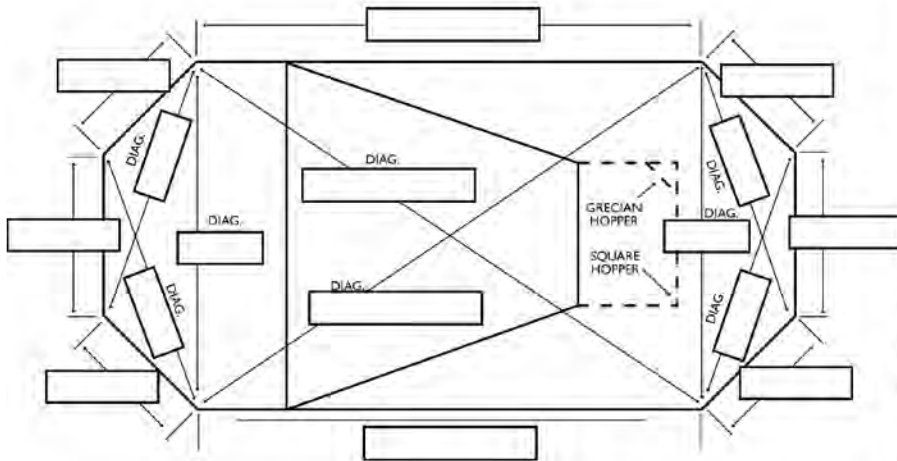
SHIP TO

Name: _____

Address: _____

City/State: _____

Zip: _____



PATTERN:

Sidewall: _____ Mil: _____

Bottom: _____ Mil: _____

Plastic Step Unit

Draw location on order form for placement of sidewall seam.

Steel Step

Send complete stair layout order form with order.

No Step

ATTACHMENT TO WALL:

Snap In (beaded)

Overlap

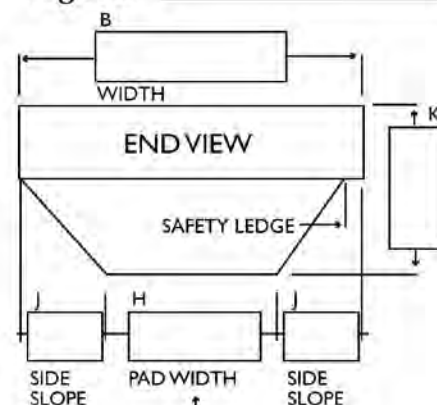
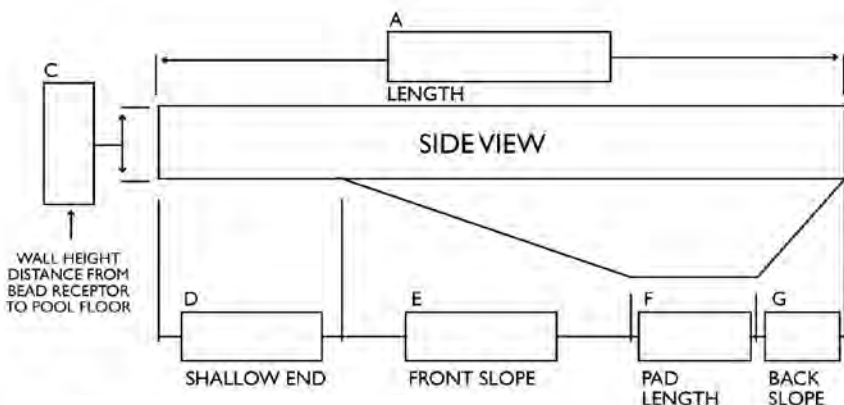
The prompt production and delivery of your liner will depend on the accuracy and completeness of this request. No custom liner will be started unless all information is complete.

Conditions and terms of sale are the same as those found in the Accessory Catalog.

Each V.W. pool liner is marked as to type (as defined by the latest applicable N.S.P.I. standards for residential pools) and is packed with a warranty, safety decals, sign and other related safety material and instructions for their proper use.

I hereby authorize _____ to produce as a special order a vinyl liner for an inground pool in accordance with the design and acknowledges that Vinyl Works, Inc. has not participated in either the design or specifications of this liner and accepts full responsibility for the same. I further agree not to hold Vinyl Works, Inc. liable, that is, I will pay for in full for any and all claims and expenses that may arise out of the design or use of said special liner.

Signed: _____



STANDING AT SHALLOW END FACING DEEP END

Order Form :: 90° EL



Date: _____ P.O. #: _____

Customer: _____

SHIPPING INSTRUCTIONS

Ship Via: _____

Call When Ready Call With Price

Mark Box: _____

ORDERED BY

Name: _____

Address: _____

City/State: _____

Zip: _____

Phone: _____

Fax: _____

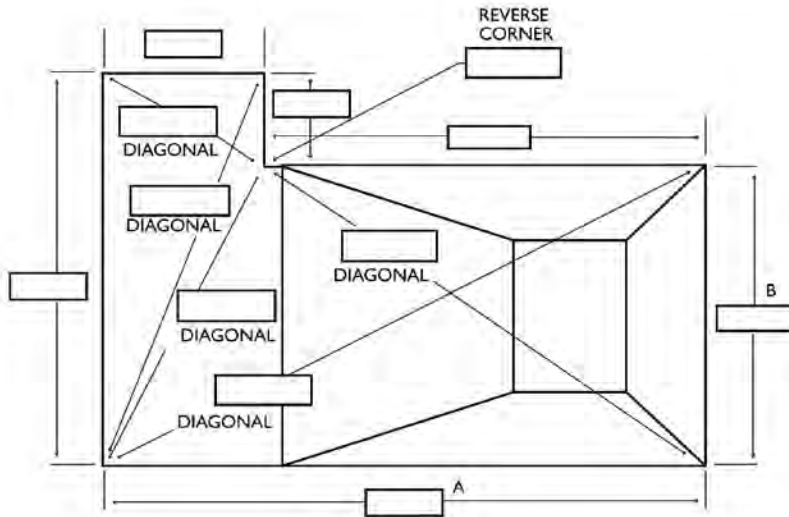
SHIP TO

Name: _____

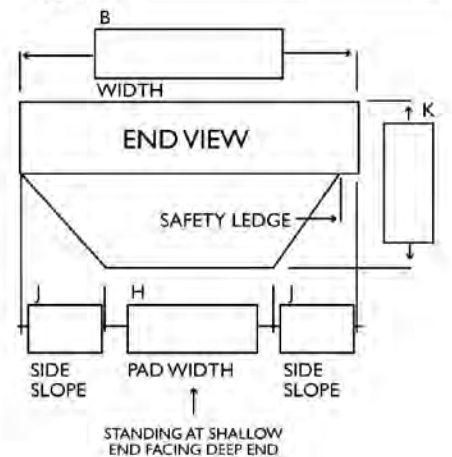
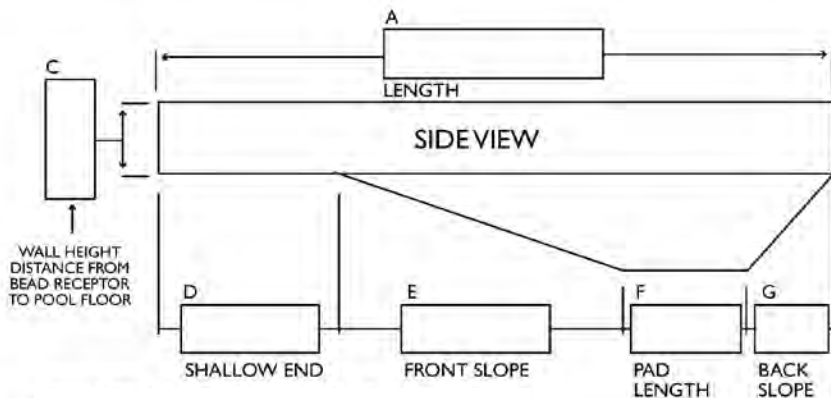
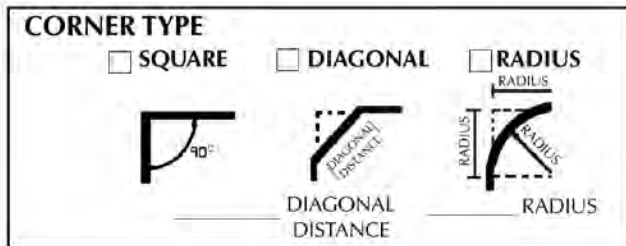
Address: _____

City/State: _____

Zip: _____



Indicate 90° "L" _____ Right _____ Left (shown)
Standing in shallow-end facing deep-end.



PATTERN:

Sidewall: _____ Mil: _____

Bottom: _____ Mil: _____

Plastic Step Unit

Draw location on order form for placement of sidewall seam

Steel Step

Send complete stain layout order form with order.

No Step

ATTACHMENT TO WALL:

Snap In (beaded)

Overlap

The prompt production and delivery of your liner will depend on the accuracy and completeness of this request. No custom liner will be started unless all information is complete.

Conditions and terms of sale are the same as those found in the Accessory Catalog.

Each pool liner is marked as to type (as defined by the latest applicable N.S.P.I. standards for residential pools) and is packed with a warranty, safety decals, sign and other related safety material and instructions for their proper use.

I hereby authorize _____ to produce as a special order a vinyl liner for an inground pool in accordance with the design and acknowledges that Vinyl Works, Inc. has not participated in either the design or specifications of this liner and accepts full responsibility for the same. I further agree not to hold Vinyl Works, Inc. liable, that is, I will pay for in full for any and all claims and expenses that may arise out of the design or use of said special liner.

Signed: _____

Order Form :: Lazy EL



Date: _____ P.O. #: _____

Customer: _____

SHIPPING INSTRUCTIONS

Ship Via: _____

Call When Ready Call With Price

Mark Box: _____

ORDERED BY

Name: _____

Address: _____

City/State: _____

Zip: _____

Phone: _____

Fax: _____

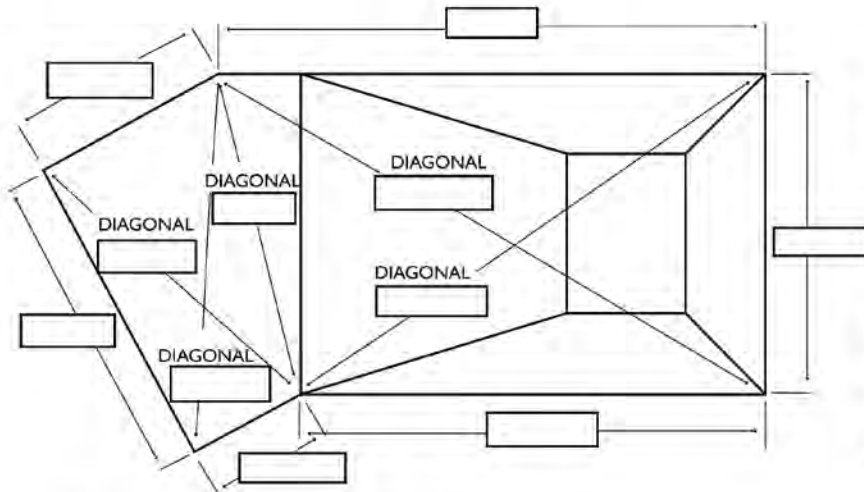
SHIP TO

Name: _____

Address: _____

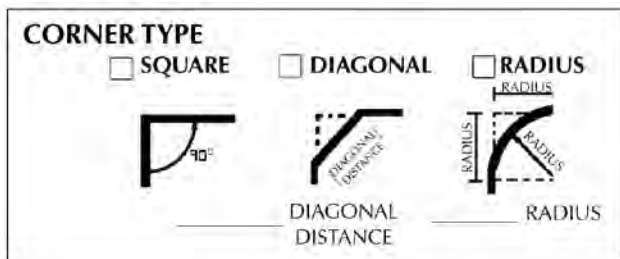
City/State: _____

Zip: _____



Indicate Lazy "EL" Left Right (shown)

Standing in shallow end facing deep end.



PATTERN:

Sidewall: _____ Mil: _____

Bottom: _____ Mil: _____

Plastic Step Unit

Draw location on order form for placement of sidewall beads.

Steel Step

Send complete stair layout order form with order.

No Step

ATTACHMENT TO WALL:

Snap In (beaded)

Overlap

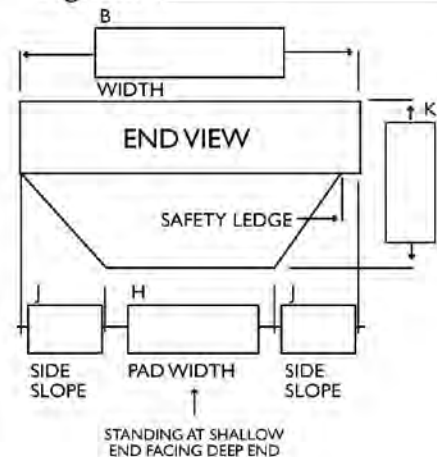
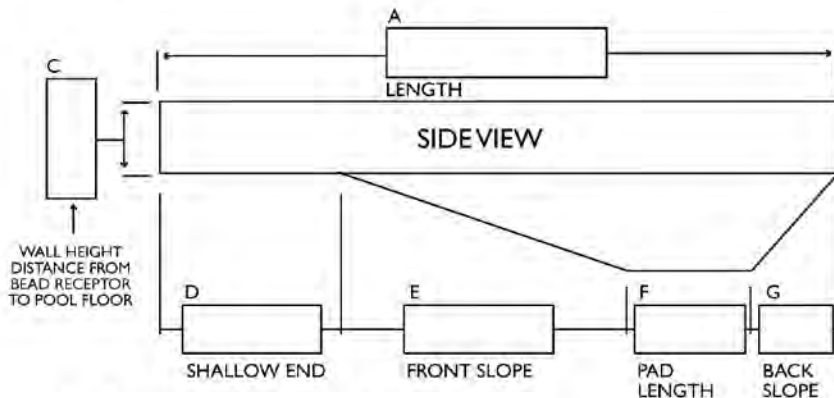
The prompt production and delivery of your liner will depend on the accuracy and completeness of this request. No custom liner will be started unless all information is complete.

Conditions and terms of sale are the same as those found in the Accessory Catalog.

Each pool liner is marked as to type (as defined by the latest applicable N.S.P.I. standards for residential pools) and is packed with a warranty, safety decals, sign and other related safety material and instructions for their proper use.

I hereby authorize _____ to produce as a special order a vinyl liner for an inground pool in accordance with the design and acknowledges that Vinyl Works, Inc. has not participated in either the design or specifications of this liner and accepts full responsibility for the same. I further agree not to hold Vinyl Works, Inc. liable, that is, I will pay for in full for any and all claims and expenses that may arise out of the design or use of said special liner.

Signed: _____



STANDING AT SHALLOW END FACING DEEP END

Order Form :: Grecian Lazy EL



Date: _____ P.O. #: _____

Customer: _____

SHIPPING INSTRUCTIONS

Ship Via: _____

Call When Ready Call With Price

Mark Box: _____

ORDERED BY

Name: _____

Address: _____

City/State: _____

Zip: _____

Phone: _____

Fax: _____

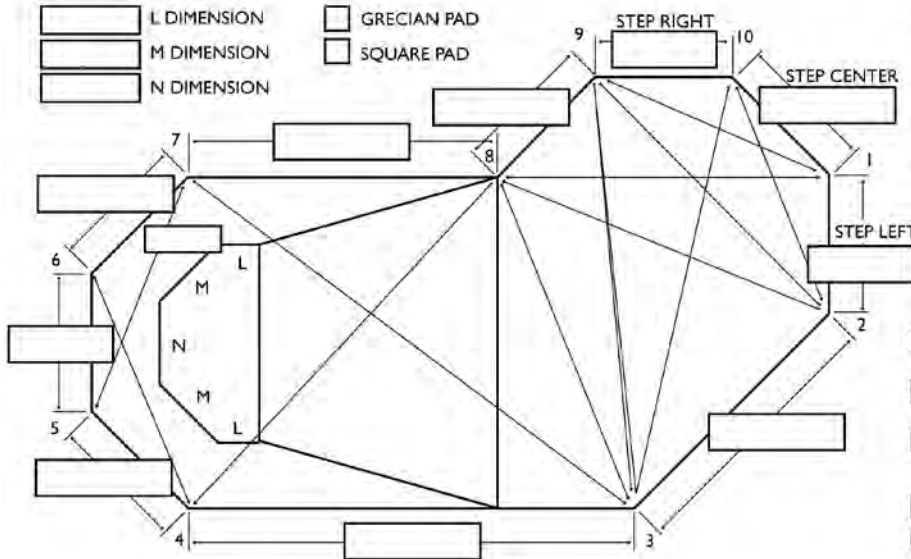
SHIP TO

Name: _____

Address: _____

City/State: _____

Zip: _____



L DIMENSION
 M DIMENSION
 N DIMENSION

GRECIAN PAD
 SQUARE PAD

PATTERN:

Sidewall: _____ Mil: _____

Bottom: _____ Mil: _____

Plastic Step Unit

Draw location on order form for placement of sidewall seams.

Steel Step

Send complete stair layout order form with order.

No Step

ATTACHMENT TO WALL:

Snap In (beaded)

Overlap

The prompt production and delivery of your liner will depend on the accuracy and completeness of this request. No custom liner will be started unless all information is complete.

Conditions and terms of sale are the same as those found in the Accessory Catalog.

Each pool liner is marked as to type (as defined by the latest applicable N.S.P.I. standards for residential pools) and is packed with a warranty, safety decals, sign and other related safety material and instructions for their proper use.

I hereby authorize _____ to produce as a special order a vinyl liner for an inground pool in accordance with the design and acknowledges that Vinyl Works, Inc. has not participated in either the design or specifications of this liner and accepts full responsibility for the same. I further agree not to hold Vinyl Works, Inc. (liable, that is, I will pay for in full for any and all) claims and expenses that may arise out of the design or use of said special liner.

DIMENSIONS

2-10: _____ 8-2 _____ 3-7 _____

2-9 _____ 3-9 _____ 7-5 _____

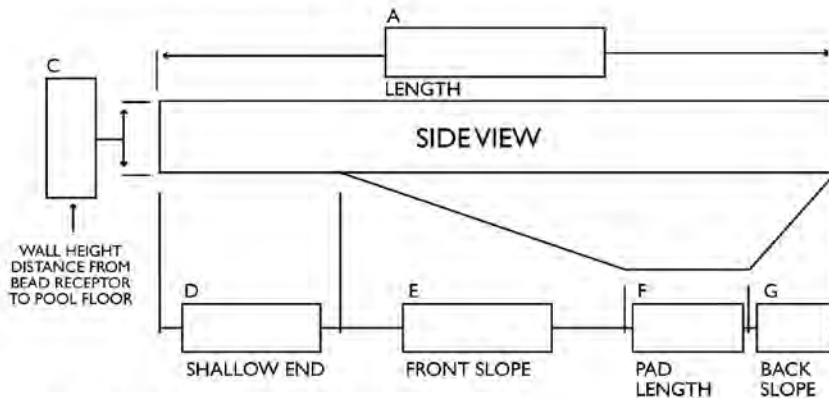
1-9 _____ 3-10 _____ 6-4 _____

1-8 _____ 3-8 _____

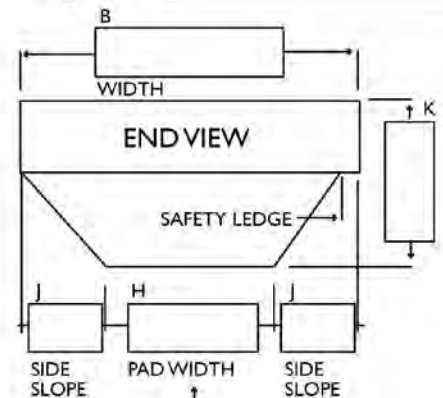
Indicate Lazy "EL" _____ Left _____ Right (shown)

Standing in shallow end facing deep end

Signed: _____



WALL HEIGHT
DISTANCE FROM
BEAD RECEPTOR
TO POOL FLOOR



STANDING AT SHALLOW
END FACING DEEP END

Freeform Measurements

ORDERED BY

Name: _____

Address: _____

City/State: _____ Zip: _____

Phone: _____

Fax: _____

SHIP TO

Name: _____

Address: _____

City/State: _____ Zip: _____

Date: _____ P.O. #: _____

Customer #: _____ Ship Via: _____

Call When Ready Call With Price

Mark Box: _____

Distance Between A & B: _____

Distance Between Pts.: _____

Perimeter Measurement: _____

BREAKPOINTS

PT.	A	B
W		
X		
Y		
Z		

PATTERN:

Sidewall: _____

Bottom: _____

Plastic Step Unit M _____

Steel Steps N _____

Stair Width O _____

P _____

Q _____

R _____

S _____

T _____

V _____

Stair Location: _____

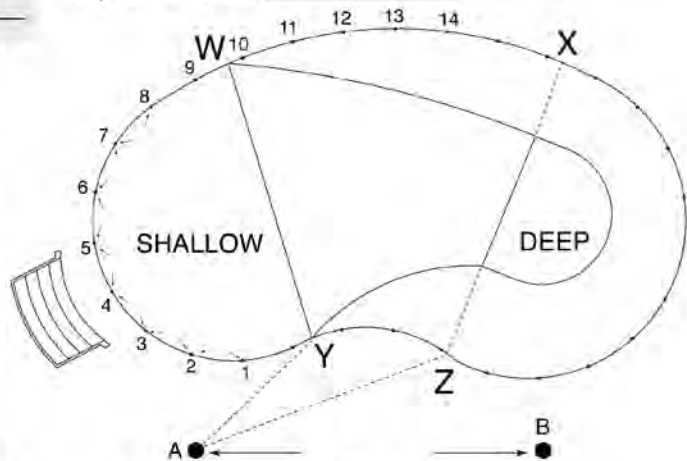
STAIR CORNERS

Front Corners: _____

Back Corners: _____

Stair Set Back: _____

Step Manufacturer: _____

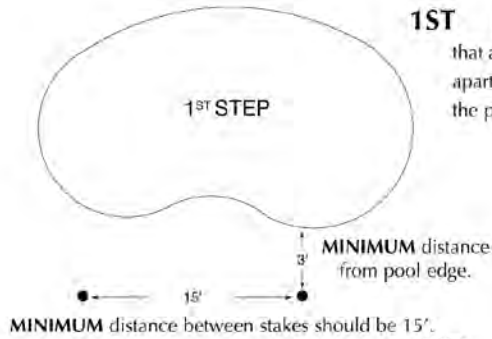


PT.	A	B	PT.	A	B	PT.	A	B	PT.	A	B
1			16			31			46		
2			17			32			47		
3			18			33			48		
4			19			34			49		
5			20			35			50		
6			21			36			51		
7			22			37			52		
8			23			38			53		
9			24			39			54		
10			25			40			55		
11			26			41			56		
12			27			42			57		
13			28			43			58		
14			29			44			59		
15			30			45			60		

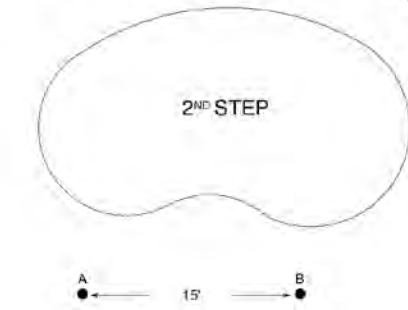
The vinyl works inc

33 WADE ROAD
LATHAM, NY 12110
(518) 786-1200
FAX: 786-0954

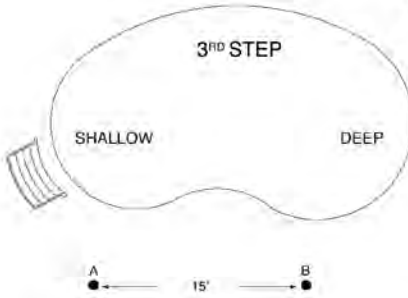
Freeform Measuring



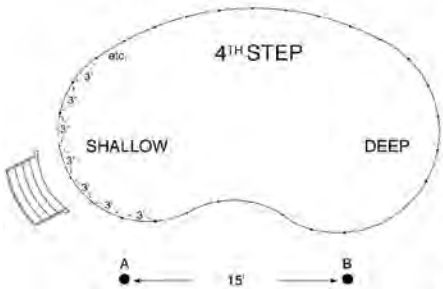
1ST Establish two stakes that are a minimum of 15' apart and at least 3' from the pool.



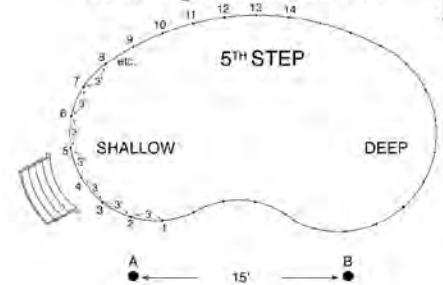
2ND Label one of the stakes "A" and the other "B". These stakes will be used as reference points and should be left at the pool sight for a few days because you may have to go back and recheck measurements (be sure to pound stakes to ground level before you leave the yard).



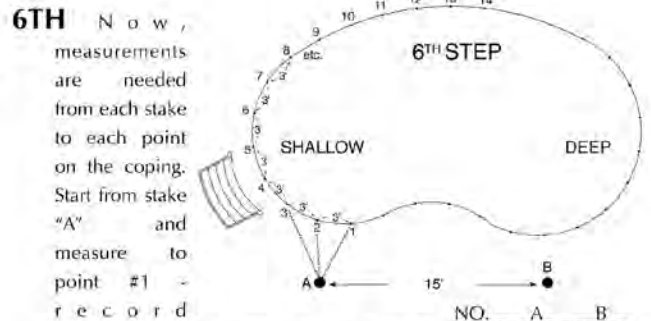
3RD Make a hand sketch of the shape and direction of the pool you are measuring. Next, label which end is the shallow end and which is the deep end. Also include rough location of any stairs, swimout, cuddle cove etc. on the same sketch.



4TH Next you need to mark the coping of the pool with marks of some kind as reference points every three feet around the perimeter of the pool. You must pull the tape straight between these 3 foot intervals, do not bend the tape into radiuses. The last point you mark on the coping may not equal 3'. Please record that measurement on your drawing. It is also a good idea to leave the marks you made on the coping in case you have to go back to the pool to recheck or get other measurements.

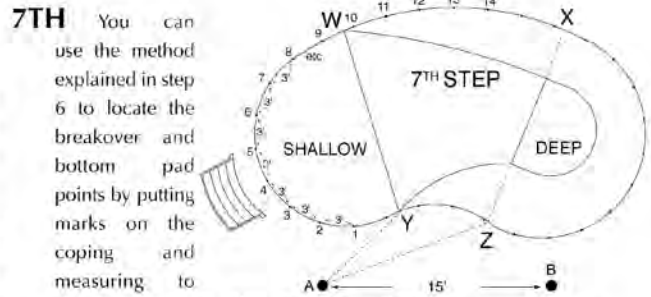


5TH Next step is to label each mark with a number and locate these on the sketch you made of the pool starting with your first mark & label that mark #1, 2nd mark #2 and so on working your way around pool &



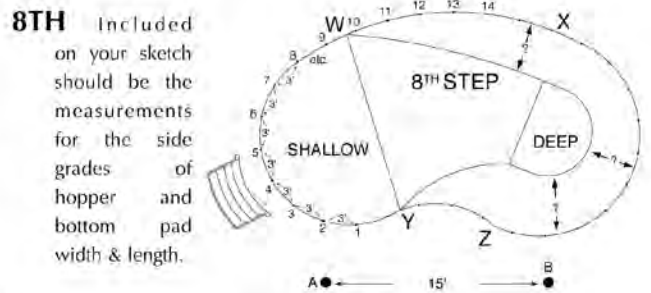
6TH Now, measurements are needed from each stake to each point on the coping. Start from stake "A" and measure to point #1 - record measurement then measure to point #2 record measurement and so on until you have gone around the pool and have recorded each measurement. Repeat this from stake "B". Starting from 1st point and recording your measurements. Use a column format to record these measurements.

NO.	A	B
1	12'3"	28'1"
2	13'6"	29'4"
3	14'0"	32'2"
4		
5		
6		
7		
etc...		



7TH You can use the method explained in step 6 to locate the breakover and bottom pad points by putting marks on the coping and measuring to your stakes and also recording these measurements. Use letters at these points instead of numbers. Do this for stairs and swimouts or cuddle cove locations.

NO.	A	B
W		
X		
Y		
Z		



8TH Included on your sketch should be the measurements for the side grades of hopper and bottom pad width & length.

The vinyl works inc

33 WADE ROAD
LATHAM, NY 12110
(518) 786-1200
FAX: 786-0954

Safety Cover Order Form

Date: _____

Company ID # _____

Company: _____

Address _____ P.O.# _____

City _____ State _____ Zip _____

Tel# _____ Fax# _____

Contact _____

Ship To: _____

Address _____

City _____

State _____ Zip _____

Ship Via: UPS Truck Pick-Up Other

ORDER QUOTE **COVER BRANDS:** GATORHYDE LOOP-LOC

COVER TYPE:

GATORHYDE™

- Standard Mesh
- BlocMesh 99
- Aquamaster Solid
- Standard Solid

DRAIN PANEL OPTIONS:

- Drain Panels
- No Drain Panels w/ Automatic Pump

COVER COLOR:

- Green
- Blue
- Tan
- Grey
- Black

SPACING:

- 5' x 5'
- 4' x 4' (ULTRA-LOC Only)
- 3' x 3'

LOOP-LOC®

- Super Dense Mesh
- Ultra-Loc II Solid

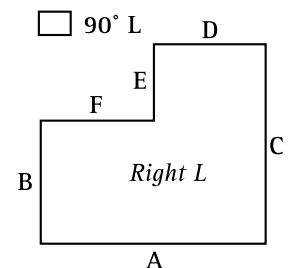
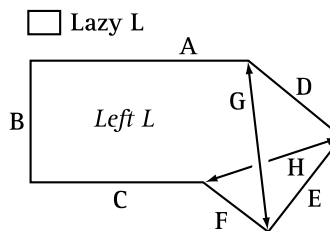
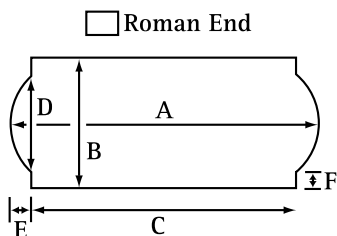
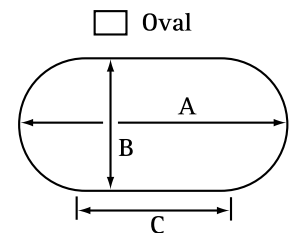
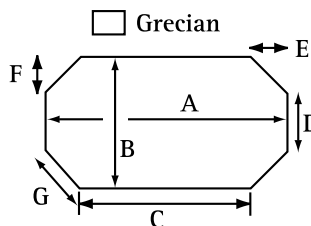
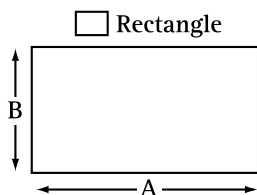
Note: Form Fit shaped covers available in 3 x 3 spacing only. All covers will be quoted with 5 x 5 spacing when possible.

ANCHOR TYPE:

- Concrete
- Wood Deck
- Brass Anchor Collar
- Aluminum Pipe

FILL IN DIMENSIONS:

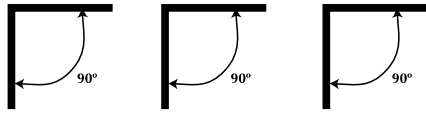
A _____
 B _____
 C _____
 D _____
 E _____
 F _____
 G _____
 H _____



Safety Cover Order Form

CORNER TYPE:

SQUARE DIAGONAL RADIUS



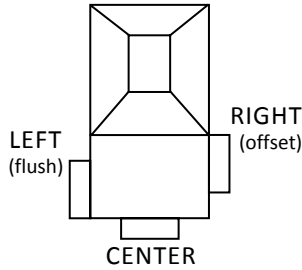
_____ Diagonal _____ Radius

Imperial Item #: _____

List Price: _____

Dealer Price: _____

STEP LOCATION:



Location: _____

Size: _____ x _____

Offset: _____

HOW MUCH DECK IS AVAILABLE?

Less than 3' More than 3' More than 4'

Indicate areas with less than 3' of deck:

DECK TYPE:

Concrete Wood Other

Is there a diving board? Y N

Distance from pool: _____

Cutouts required? Y N

if non-removable object(s) are within 12"-18" of pool (Indicate above)

Please submit labelled photos for pools with complex features. Cutouts may be required if objects are within 18" of pool. Please provide A-G dimensions to locate object.

1. Are there any non-removable handrails, grabrails, or ladders? Y N

2. Grabrails: Y N Pt# _____ to Pt# _____
Distance rails are set back from pool _____

3. Handrails: Y N Pt# _____ to Pt# _____
Distance rails extend into pool _____

4. Ladders: Y N Pt# _____ to Pt# _____
Ladder Cups (if cutout needed) Pt# _____ to Pt# _____
How far does ladder extend into pool? _____

5. Fillspout: Y N Pt# _____
Dimensions & distance from pool: _____
How high if raised? _____

6. Dive Stand: Y N Pt# _____ to Pt# _____

7. Slide Legs: Y N (within 2 ft.) Pt# _____ to Pt# _____

8. Dive Rocks: Y N Pt# _____ to Pt# _____
Distance back from pool _____

9. Grab Rocks: Y N Pt# _____ to Pt# _____
Distance back from pool _____

10. Type and width of coping: _____ and _____

11. Planter or grass area Y N Pt# _____ to Pt# _____

12. Spa: Y N Pt# _____ to Pt# _____

Separate cover required? Y N

How high is the spa? _____

Is spa wall flush with top of coping? Y N

Open spillway: Y N

If yes, to locate spillway Pt# _____ to Pt# _____

13. Raised Wall or Raised Bond Beam: Y N

Height: _____ Pt# _____ to Pt# _____

14. Waterfall or Rock Formation: Y N

Pt# _____ to Pt# _____

15. Varying Deck Levels: Y N

step 1: Pt# _____ to Pt# _____

A-B dimensions require indicating angle of the deck from pool wall, out onto deck. Height? _____

step 2: Pt# _____ to Pt# _____

step 3: Pt# _____ to Pt# _____

16. Wood Deck: Are wood deck anchor flanges required?

Indicated partial wood deck areas: Pt# _____ to Pt# _____

Note: For Dive Rocks, Spas, Raised Wall/Bond Beam and Waterfall/Rock Formations, give A-B dimension at beginning, end, and a minimum of 1 ft. intervals in between.

Safety Cover Order Form

Length: Pt# _____ to Pt# _____ = _____ (longest point.)

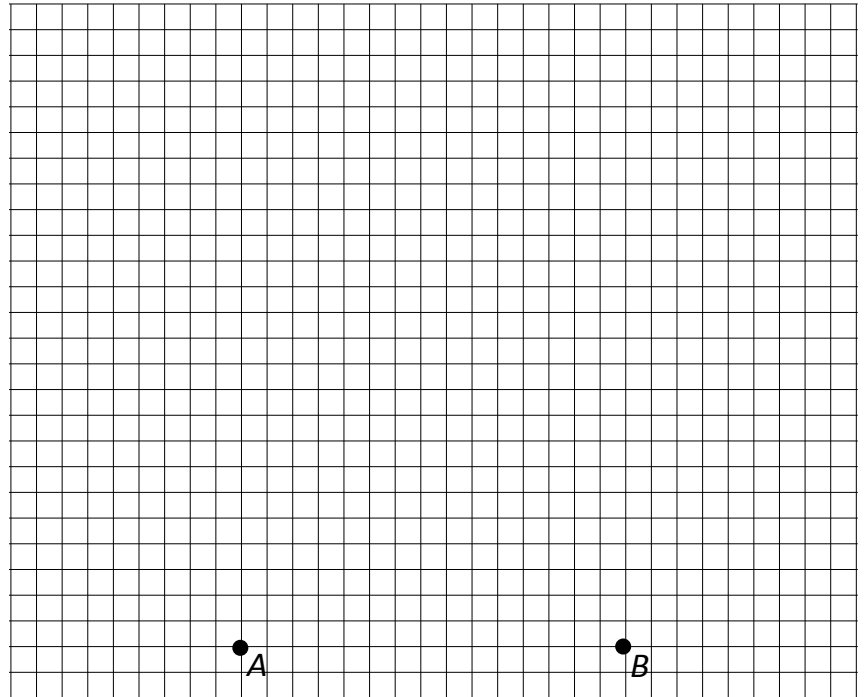
Width: Pt# _____ to Pt# _____ = _____ (widest point.)

Additional cross dimensions: Pt# _____ to Pt# _____ = _____; Pt# _____ to Pt# _____ = _____

- The distance between A and B is _____
 Show A B in relation to the pool (on sketch). A-B line, or extensions of, cannot intersect pool.
- Indicate areas where the deck is less than 4' from waterline of the pool _____

No.	A	B
1		
2		
3		
4		
5		
6		
7		
8		
9		
10		
11		
12		
13		
14		
15		
16		
17		
18		
19		
20		

No.	A	B
21		
22		
23		
24		
25		
26		
27		
28		
29		
30		
31		
32		
33		
34		
35		
36		
37		
38		
39		
40		



NOTES:

Custom Spa Cover Order Form

- Circle Color of New Cover**

- | | |
|--------------|------------|
| Forest Green | Rust |
| Tan | Navy |
| Black | Teal |
| Sky Blue | Light Grey |
| Walnut Brown | Ash Grey |
| Charcoal | |

- Standard Cover Specifications**

- Thickness 4" - 3" Taper
- 2 lb. Density EPS Foam
- 2 1/2" Skirt - Most Models
- Four (4) 7" Tie Downs Per Cover

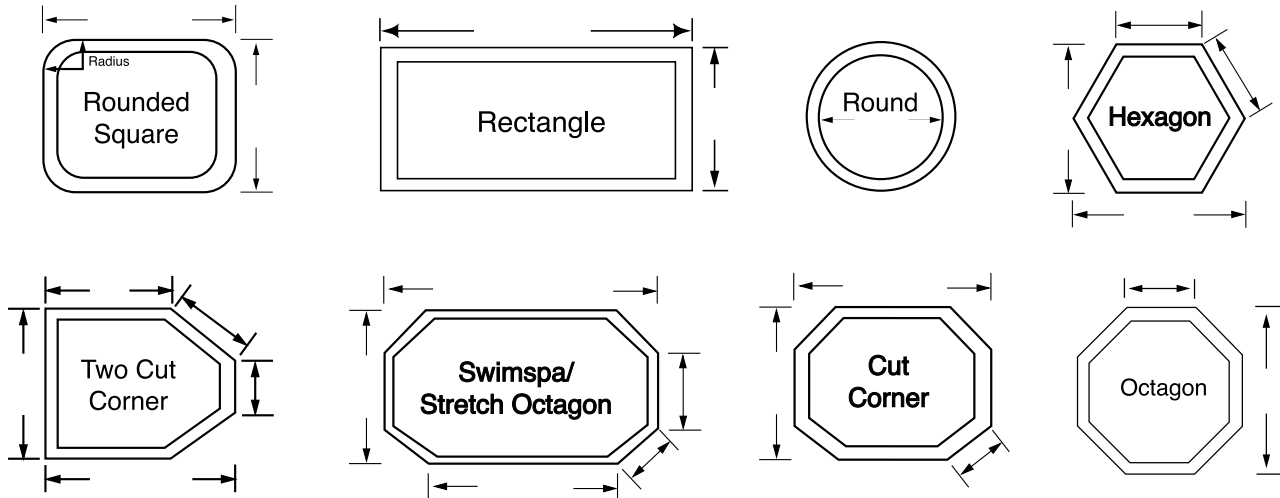
- Spa Brand/Model (if known)**

Spa Brand: _____

Model Name: _____ Year _____ Imperial Item # _____

- Unknown Spa Brand/Model**

If Spa Brand/Model is unknown, circle the shape that applies and fill in all dimensions below using outside spa lip dimensions. If none of the shapes apply, a plastic template will be required. Please sketch in fold line.



Agreement Between Imperial Pools, Inc. & Dealer
 Dealer assumes responsibility for cover specifications above. Allow approximately 3 weeks from date order is received by Imperial Pools, Inc. If you do not have Prox 15 terms at Imperial Pools, a 50% down payment is required before custom cover will be ordered.

*Note: All custom Spa Covers will incur a \$100 freight charge.

Please submit form for quote.

Dealer Name: _____
 Account Number: _____
 Customer Name: _____

LEAVE SINGLE SPEED PUMPS IN THE KIDDIE POOL.

When it comes to pool pump performance, not all pumps make the cut. Pentair is clearing the water about performance to get you up to variable speed on the upcoming DOE regulation changes, so you won't be left wading.

WHY CHOOSE PENTAIR VARIABLE SPEED PUMPS?

HIGHER PERFORMANCE



Improved circulation

ENERGY & COST SAVINGS



Energy savings
of 80%–90%*

QUIETER



Lower speed
runs quieter

LONGER LASTING



Less wear & tear
= longer lasting



Learn more about our
commitment to save energy
and protect the climate with
ENERGY STAR.

Get the full story now at pentair.com/pumpregulations

*Savings based on variable speed pump compared to a single-speed pump running 12 hours per day at an average of \$0.16 per kWh in a 20,000-gallon pool. Actual savings may vary based on local utility rates, pool size, pump run time, pump horsepower, pump rpm, plumbing size and length, pump model, service factor and other hydraulic factors. Individual WEF scores vary by product model. See [Pentair.com](https://pentair.com) for a complete listing of pumps and their corresponding WEF values.



33 Wade Road
Latham, NY 12110

PRESORTED
BOUND PRINTED MATTER
U.S. POSTAGE
PAID
Kent, OH
PERMIT #15

www.imperialpools.com

Code # 25075



To Our Valued Customers,

At Imperial Pools, Inc., we are redefining one-source convenience to our Pool and Spa Professionals by providing you with unparalleled service and reliability. We are committed to be your most dependable source for all your pool and spa needs, ensuring that you get what you want, when you need it!

CONTACT YOUR LOCAL IMPERIAL POOLS BRANCH TODAY FOR MORE INFORMATION

Latham NY - Corp. Headquarters

800-444-9977 | 518-786-1200
Fax: 518-786-1176
33 Wade Rd., Latham, NY 12110

Latham NY - Distribution

Customer Service Direct
855-757-POOL (7665)
33 Wade Rd., Latham, NY 12110

Cheshire, CT

877-696-1200 | 203-699-1200
Fax: 203-699-1500
345 McCausland Ct.,
Cheshire, CT 06410

Indianapolis, IN

866-271-1999 | 317-542-1807
Fax: 317-769-3640
5290 Performance Way,
Whitestown, IN 46075

Amesbury, MA

800-831-8612 | 978-388-5245
Fax: 978-388-7415
49 South Hunt Rd.,
Amesbury, MA 01913

Taunton, MA

800-285-2990 | 508-339-3830
Fax: 508-339-3833
90 John Hancock Rd, Taunton, MA 02780

Fairfield, NJ

800-967-7665 | 973-575-6818
Fax: 973-575-5523
9 Stewart Place, Fairfield, NJ 07004

Simpsonville, SC

866-205-2707 | 864-234-5775
Fax: 864-234-5787
317 Standing Spring Ct.,
Simpsonville, SC 29680

Columbia, SC

800-766-1305 | 803-786-1305
Fax: 803-786-5781
109 Sunbelt Blvd.,
Columbia, SC 29203

Memphis, TN

800-564-1078 | 901-388-4585
Fax: 901-388-8344
3835 Knight Rd.,
Suite 27, Memphis, TN 38118
(Manufactured Product Only)

Sharonville, OH

866-205-2706 | 513-771-1506
Fax: 513-771-1507
Crescent Point Commerce Ctr.
12090 Best Place,
Sharonville, OH 45241