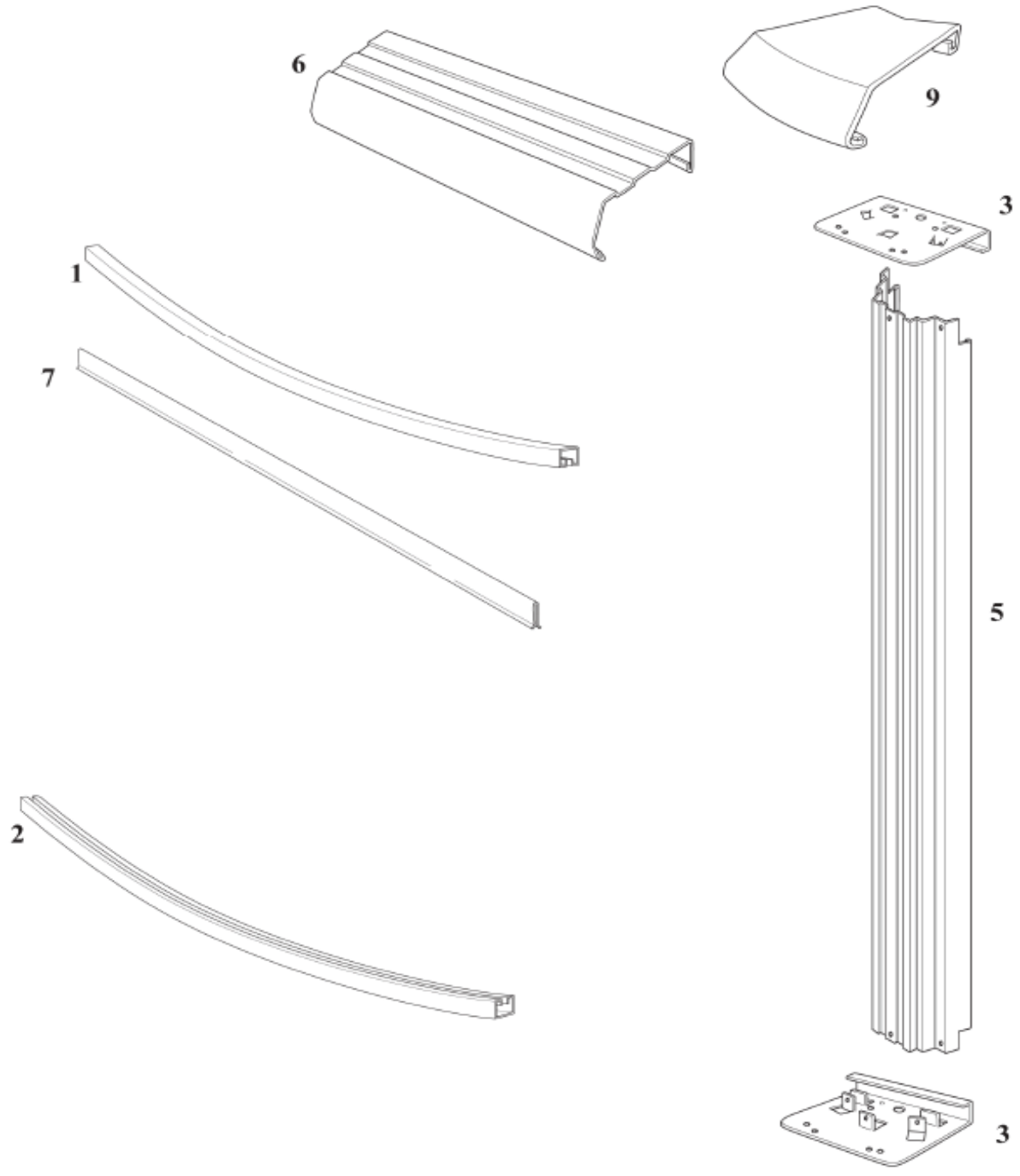


# Solstice 52

PSOL\_52SSPSSN2  
Round



**Product Description:**  
**Product Code**

**Solstice Round**  
**PSOL-52SSPSSN2**

10/2/2017

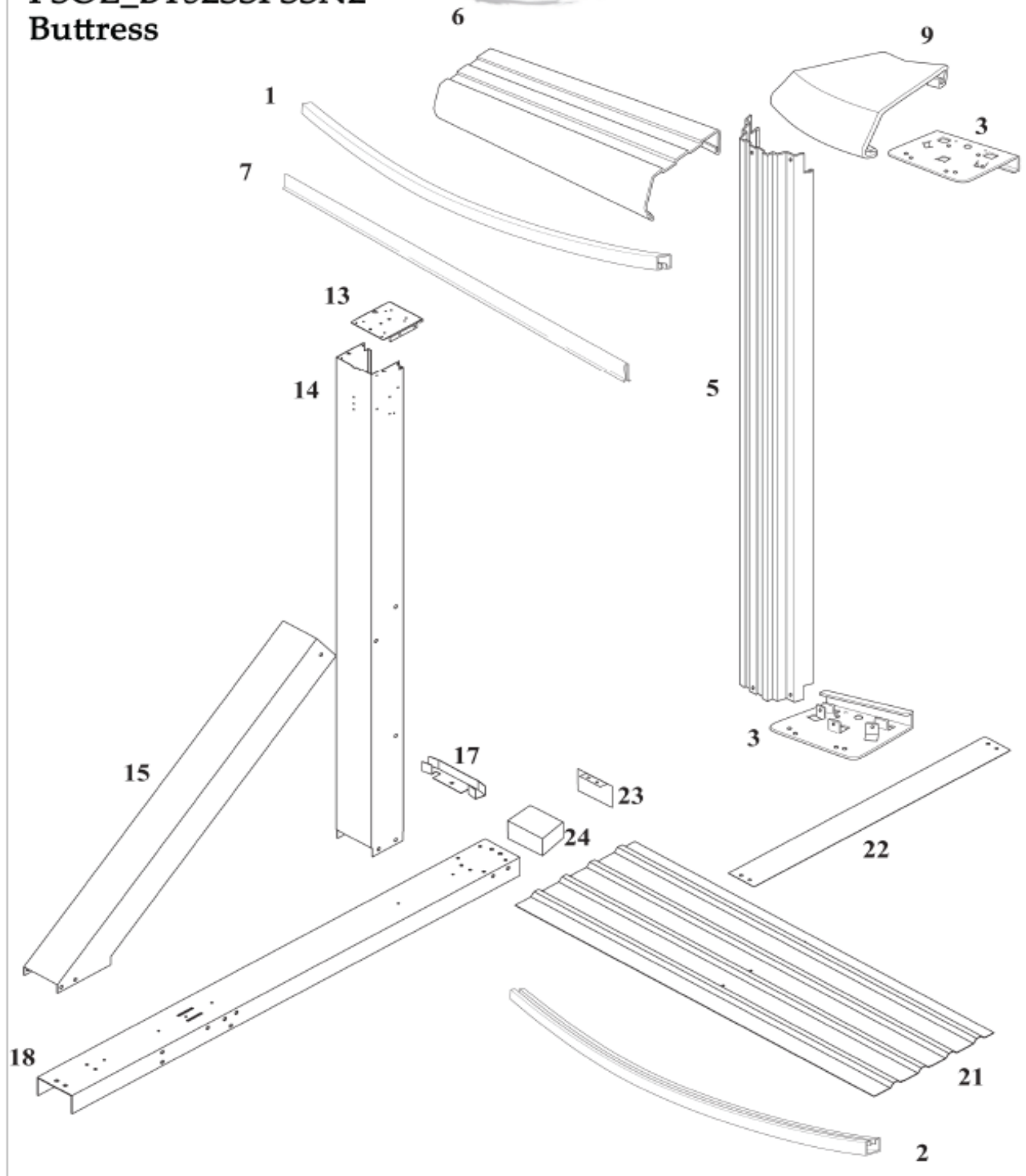
				Quantity Required for Installation (by Pool Size)									
Index #	Description	Part #	Length	8'	12'	15'	18'	21'	24'	27'	30'	33'	Retail Price
6	Top Rail	35038	27-1/4"	11									\$28.94
6	Top Rail	35039	40-1/8"		11								\$28.75
6	Top Rail	35042	55-13/16"			10	12	14	16	18	20	22	\$51.75
5	Upright	35047	51-13/16"	11	11	10	12	14	16	18	20	22	\$32.36
9	Top Cap	35048	6"	11	11	10	12	14	16	18	20	22	\$10.51
3	Top / Bottom Plate	11595	4-1/2"	22	22	20	24	28	32	36	40	44	\$2.79
7	Plastic Coping	10296	48"	7	9	12	14	16	19	21	24	19	\$1.64
1	Inner Stabilizer	38500	29-1/2"	11									\$4.27
1	Inner Stabilizer	38501	42-5/8"		11								\$6.41
1	Inner Stabilizer	38502	53-1/4"			11							\$7.89
1	Inner Stabilizer	38503	54-1/8"				13						\$8.05
1	Inner Stabilizer	38505	54-7/16"					15					\$8.05
1	Inner Stabilizer	38506	52-1/4"						18				\$7.56
1	Inner Stabilizer	38507	52-7/8"							20			\$7.89
1	Inner Stabilizer	38509	51-1/4"								23		\$7.56
1	Inner Stabilizer	38510	53-3/8"									23	\$7.89
2	Bottom Rail	18837	25-1/4"	11									\$4.27
2	Bottom Rail	38736	38"		11								\$7.06
2	Bottom Rail	38737	54-1/8"			10							\$10.51
2	Bottom Rail	38738	54-7/16"				12						\$10.51
2	Bottom Rail	38739	54-5/16"					14					\$10.51
2	Bottom Rail	38740	54-1/8"						16				\$10.51
2	Bottom Rail	38741	54-1/4"							18			\$10.51
2	Bottom Rail	38742	54-1/4"								20		\$10.51
2	Bottom Rail	38743	54-1/4"									22	\$10.51
*	Hardware	44-10004		1	1	1							\$22.34
*	Hardware	44-10006					1						\$24.64
*	Hardware	44-10008						1					\$28.75
*	Hardware	44-10010							1				\$30.72
*	Hardware	44-10011								1			\$29.41
*	Hardware	44-10013									1	1	\$31.38
*	Envelope Safety Stickers	95-0007		1	1	1	1	1	1	1	1	1	\$7.34
*	Instructional DVD	36878		1	1	1	1	1	1	1	1	1	\$9.51

\*May not be pictured

# Solstice 52

## PSOL\_BT52SSPSSN2

### Buttress



Product Description:			Solstice Buttress Oval							10/2/2017	
Product Code:			PSOL-BT52SSPSSN2								
			Quantity Required for Installation (by Pool Size)								
Index	Description	Part #	Length	1217	1224	1524	1526	1530	1833	Retail Price	
6	Top Rail Curved	35039	40-1/8"	12	10					\$28.75	
6	Top Rail Curved	35040	51-3/16"			10	10	10		\$47.48	
6	Top Rail Curved	35041	51-15/16"						12	\$37.46	
6	Top Rail Transition	37575	47-1/4"			4				\$33.72	
6	Top Rail Straight Side	35043	41-1/4"	2	8	2	8	10	10	\$38.28	
5	Upright	35047	51-13/16"	10	12	12	12	12	14	\$32.36	
14	W-A Upright Straight Side	35637	51-13/16'	4	6	4	6	8	8	\$70.31	
9	Top Cap	35048	6"	14	18	16	18	20	22	\$10.51	
13	Top Plate Curved	10136	4"	4	6	4	6	8	8	\$1.97	
3	Top / Bottom Plate	11595	4-1/2"	20	24	24	24	24	28	\$2.79	
7	Plastic Coping	10296	48"	14	16	19	19	19	21	\$1.64	
1	Inner Stabilizer	38501	42-5/8"	12	10					\$6.41	
1	Inner Stabilizer	38514	43"			10				\$6.41	
1	Inner Stabilizer	38502	53-1/4"			10	10	10		\$7.89	
1	Inner Stabilizer	38503	54-1/8"						12	\$8.05	
1	Straight Middle Stabilizer	38512	33"	2	4	2	4	6	6	\$4.93	
1	Straight Center Stabilizer	38513	8"	4	6	4	6	8	8	\$1.15	
1	Straight Corner Stabilizer	38511	37"		4		4	4	4	\$5.59	
2	Bottom Rail	38736	38"	12	10					\$7.06	
2	Bottom Rail	14950	49"			10	10	10		\$8.54	
2	Bottom Rail	14949	50"						12	\$10.19	
2	Bottom Rail Straight Side	16713	37.5"	2	4	2	4	6	6	\$6.57	
2	Bottom Rail Corner	16714	39"		4		4	4	4	\$6.90	
2	Bottom Rail Corner	22901	43"			4				\$8.05	
17	Connector Bottom Rail Straight Side	16542		4	6	8	6	8	8	\$2.63	
21	Pressure Plate	16549	44"	4	6	4	6	8	8	\$56.51	
18	Upper Oval Channel	16539	52-3/8"	4	6	8	6	8	8	\$82.47	
23	Oval Channel End Cap	22726		4	6	8	6	8	8	\$1.64	
24	Oval Channel Foam Block	29917		4	6	4	6	8	8	\$4.11	
22	Strap Section	16723	39-3-32"	2	3	2	3	4	4	\$9.20	
22	Strap Section	16724	41-1/16"	4	6	4				\$9.69	
22	Strap Section	16725	40-11/16"			6	9	12		\$9.53	
22	Strap Section	16726	52-11/16"						12	\$12.32	
15	Wrap Strut - Pewter Gray	16664		4	6	4	6	8	8	\$145.39	
*	Hardware Strut	22-36501	4 pack	1	1	1	1	2	2	\$37.79	
*	Hardware Strut	22-36502	2 pack		1		1			\$19.06	
*	Hardware	44-10033		1						\$44.52	
*	Hardware	44-10037			1		1			\$60.62	
*	Hardware	44-10038				1				\$52.41	
*	Hardware	44-10039						1		\$73.76	
*	Hardware	44-10040							1	\$75.24	
*	Envelope Safety Stickers	95-0007		1	1	1	1	1	1	\$7.34	
*	Instructional DVD	36878		1	1	1	1	1	1	\$9.51	

\*May not be pictured