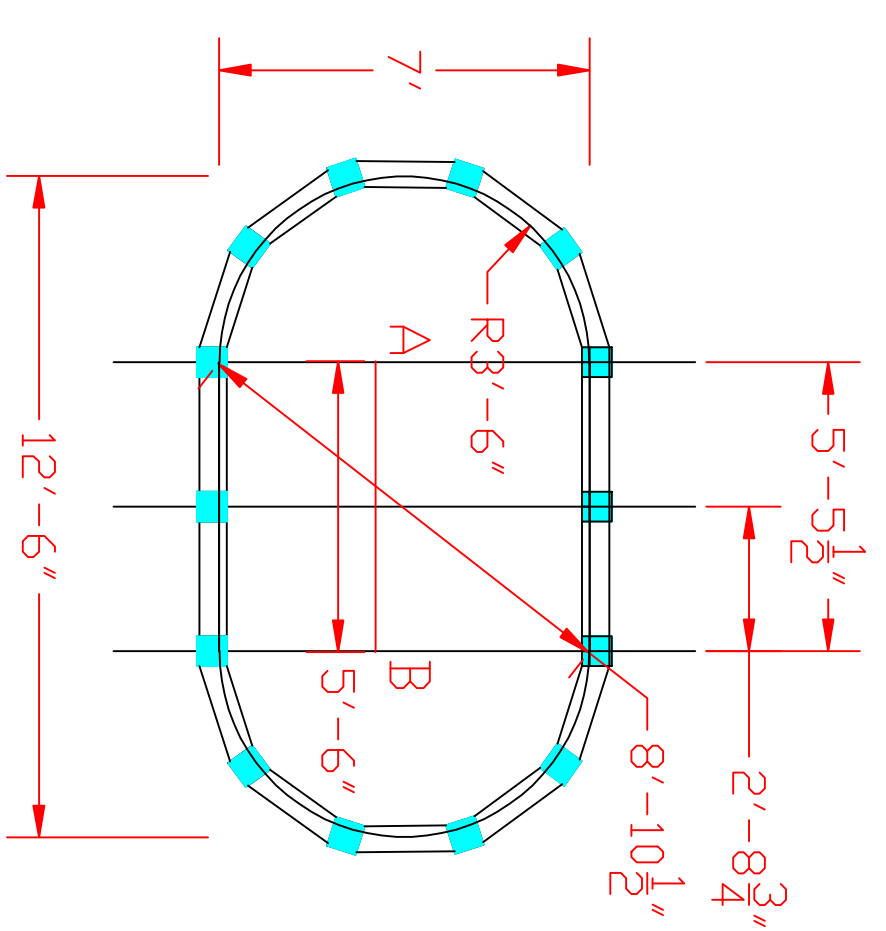
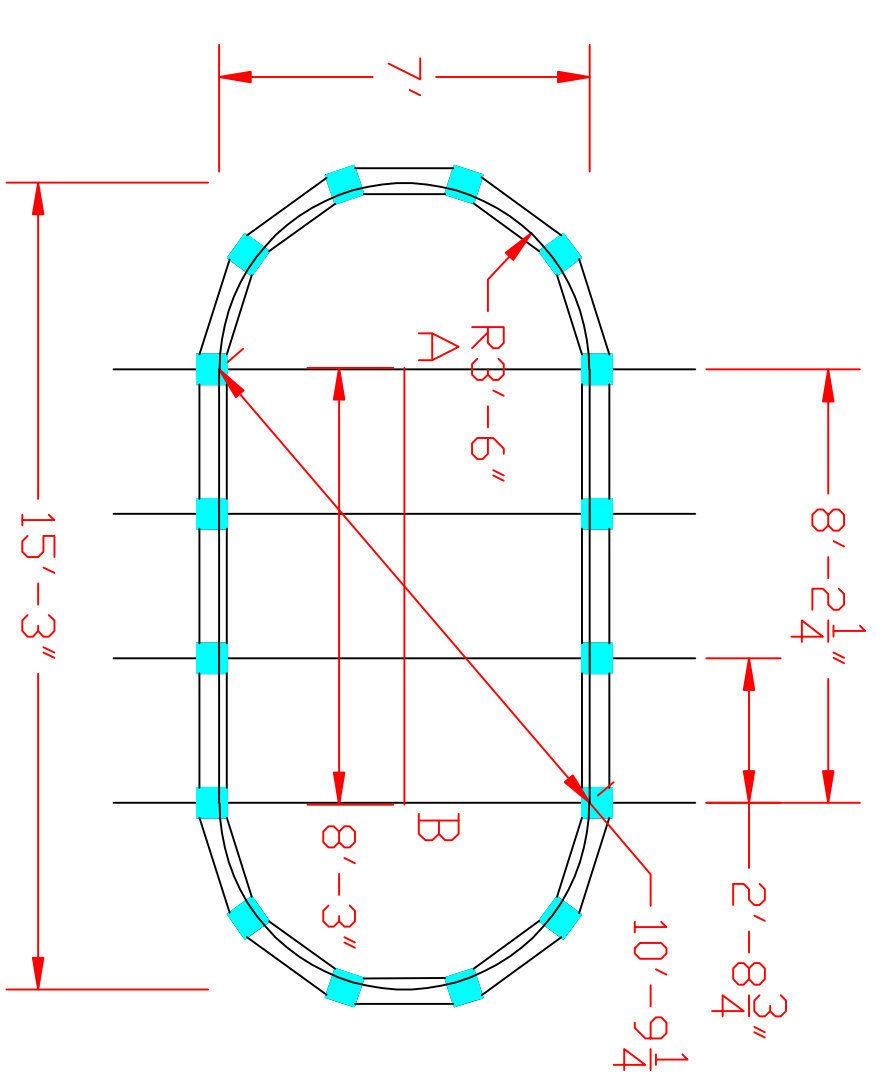


12775 Rue BRAULT
 MIRABEL, QUEBEC, CANADA, J7J 0C4
 TEL.: (450)973-1249 FAX: (450)973-8200
 GRANDEURS DE PISCINE OVALE
 OVAL POOL SIZES

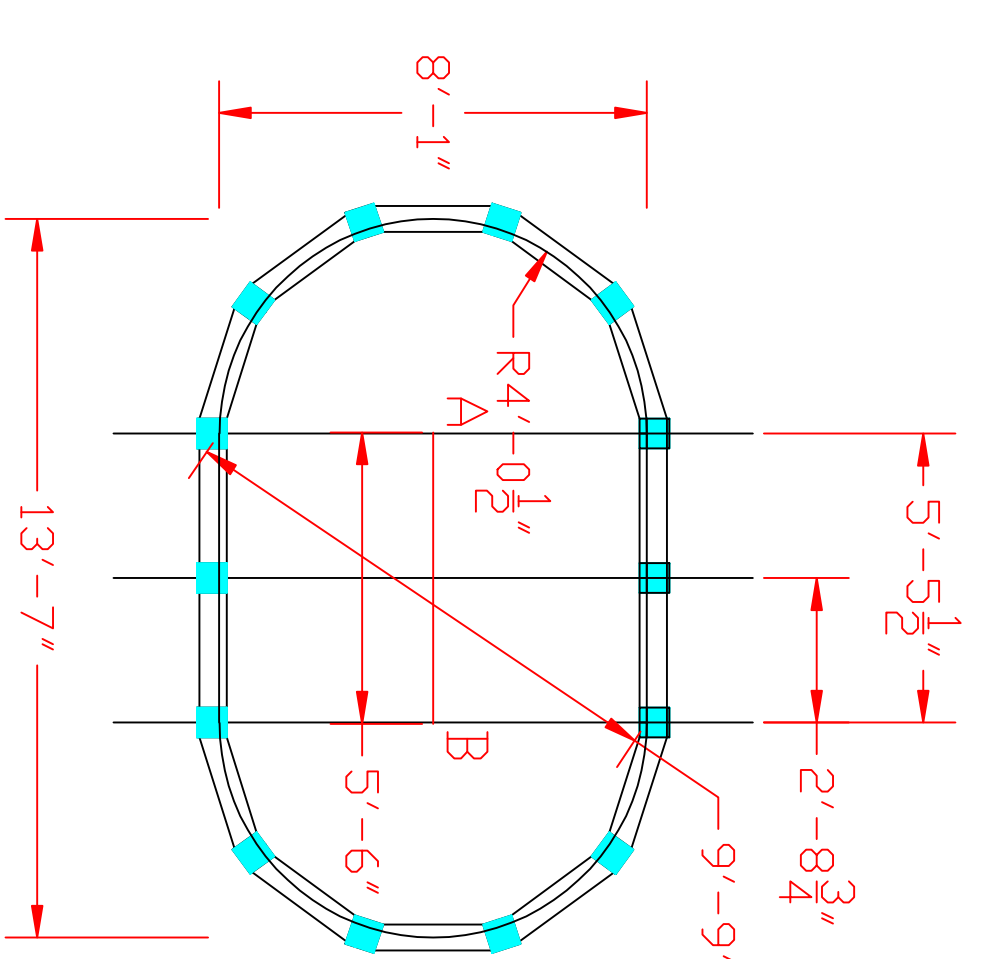
DESSIN NO.: PERIMETRE OVAL CORNELIUS



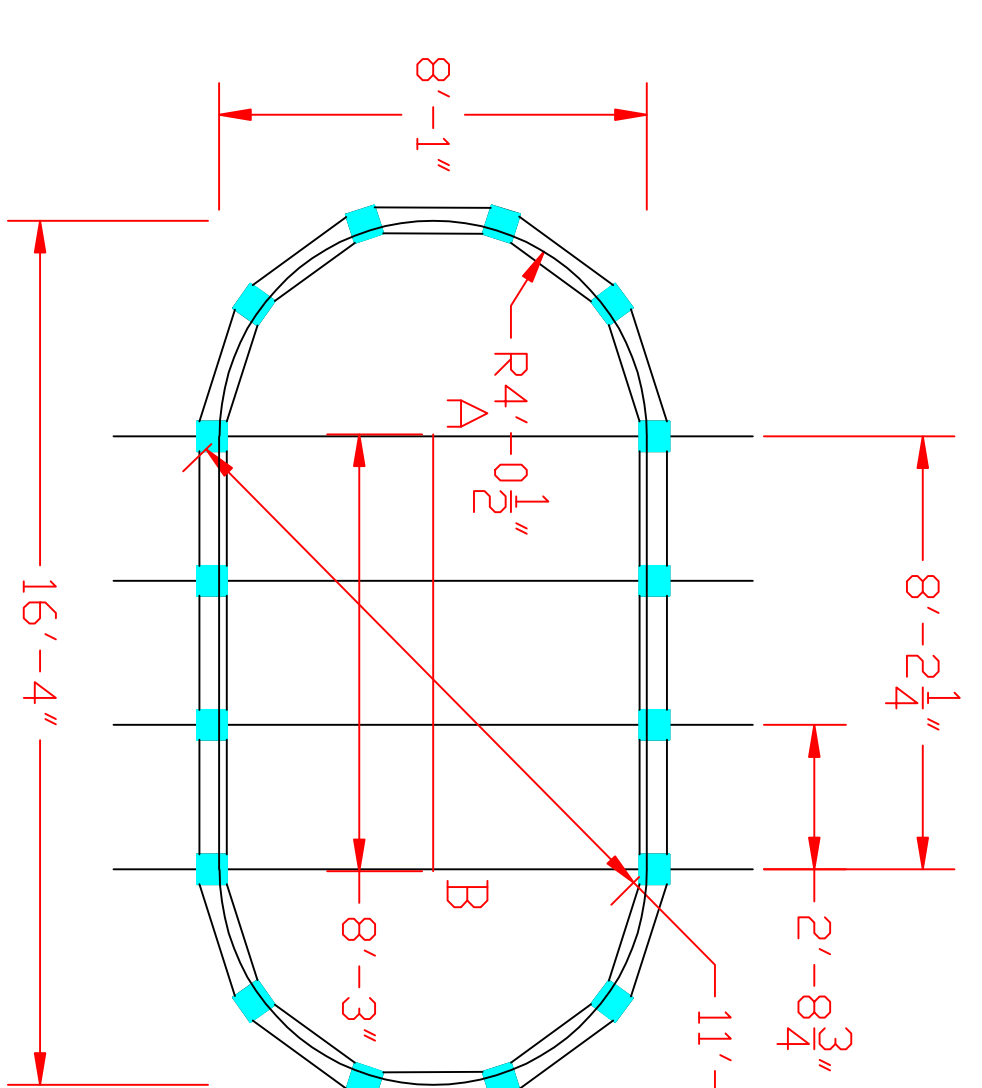
7x13 (7'0" x 12'6")
 PERIMETER - 33'0"
 AREA - 77.0 sq. ft.
 CAPACITY - 2,100 GAL. (7,938L)



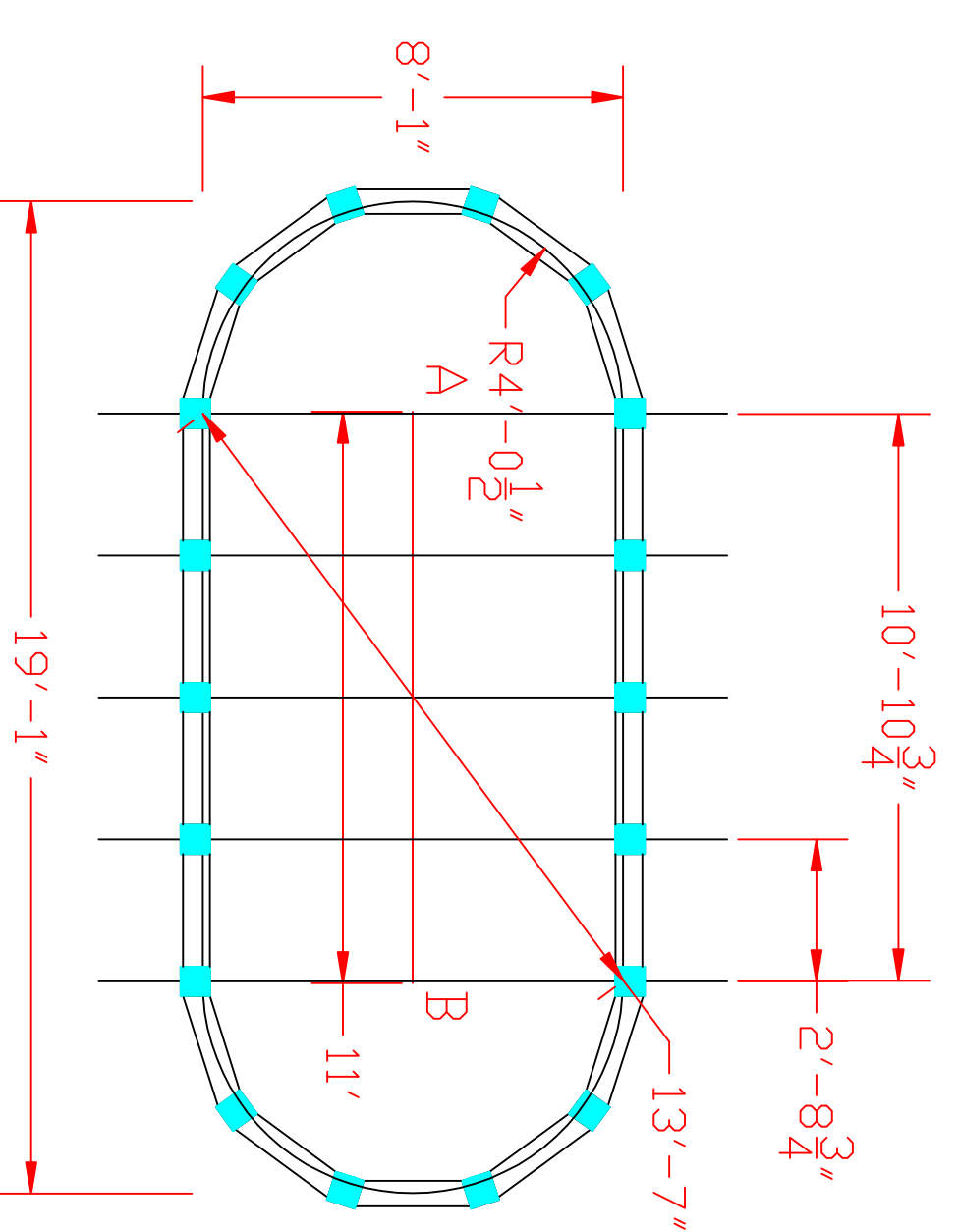
7x15 (7'0" x 15'3")
 PERIMETER - 38'6"
 AREA - 96.3 sq. ft.
 CAPACITY - 2,600 GAL. (9,828L)



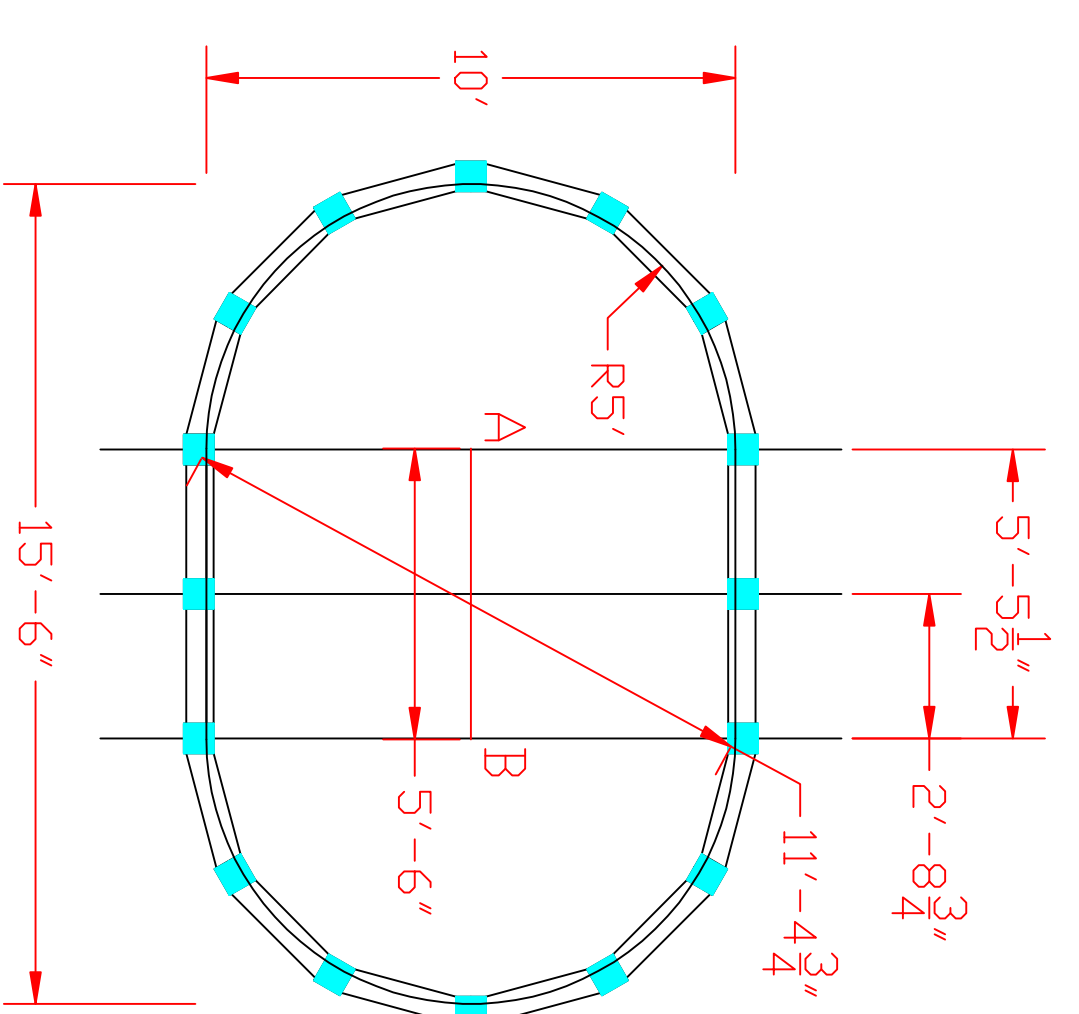
8x14 (8'1" x 13'7")
 PERIMETER - 36'5"
 AREA - 95.8 sq. ft.
 CAPACITY - 2,600 GAL. (9,828L)



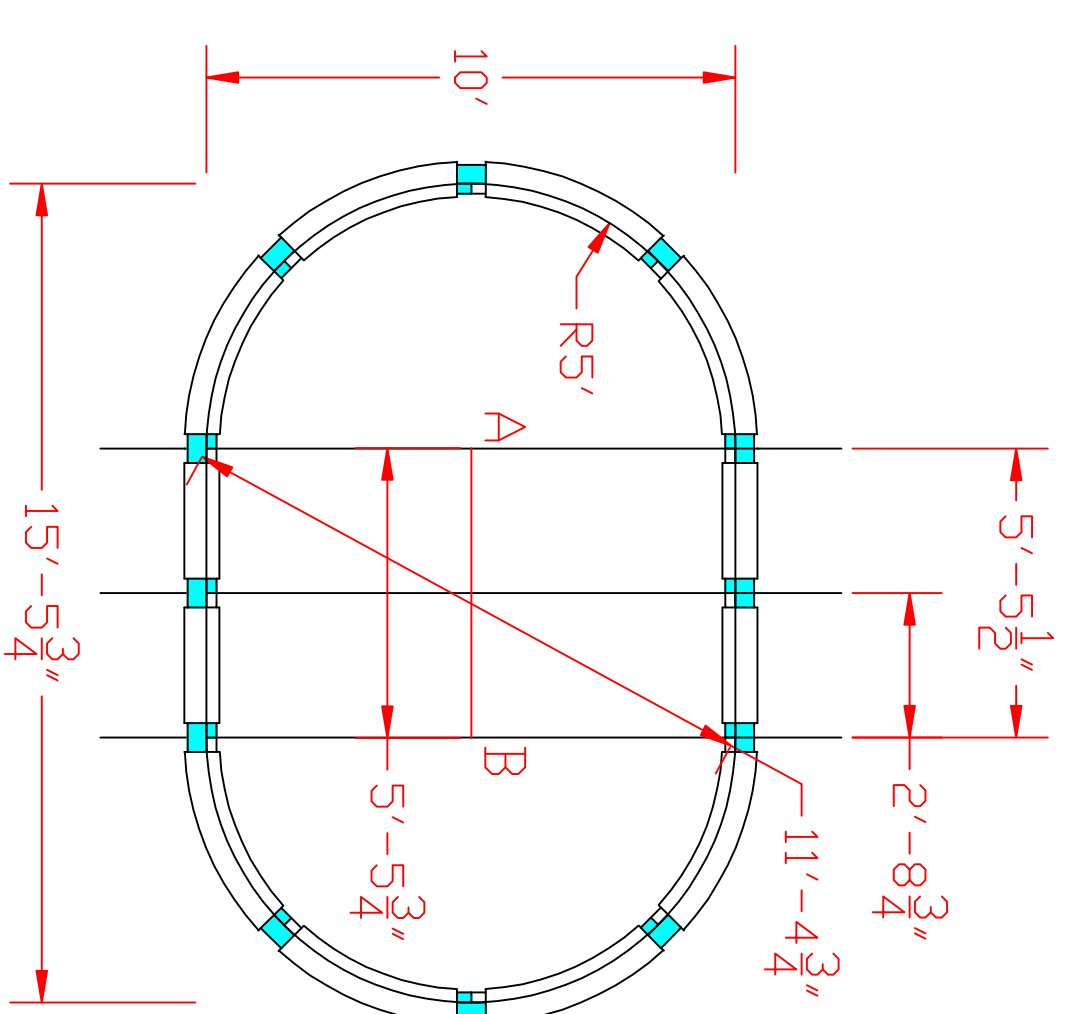
8x16 (8'1" x 16'4")
 PERIMETER - 41'1"
 AREA - 118.0 sq. ft.
 CAPACITY - 3,200 GAL. (12,096L)



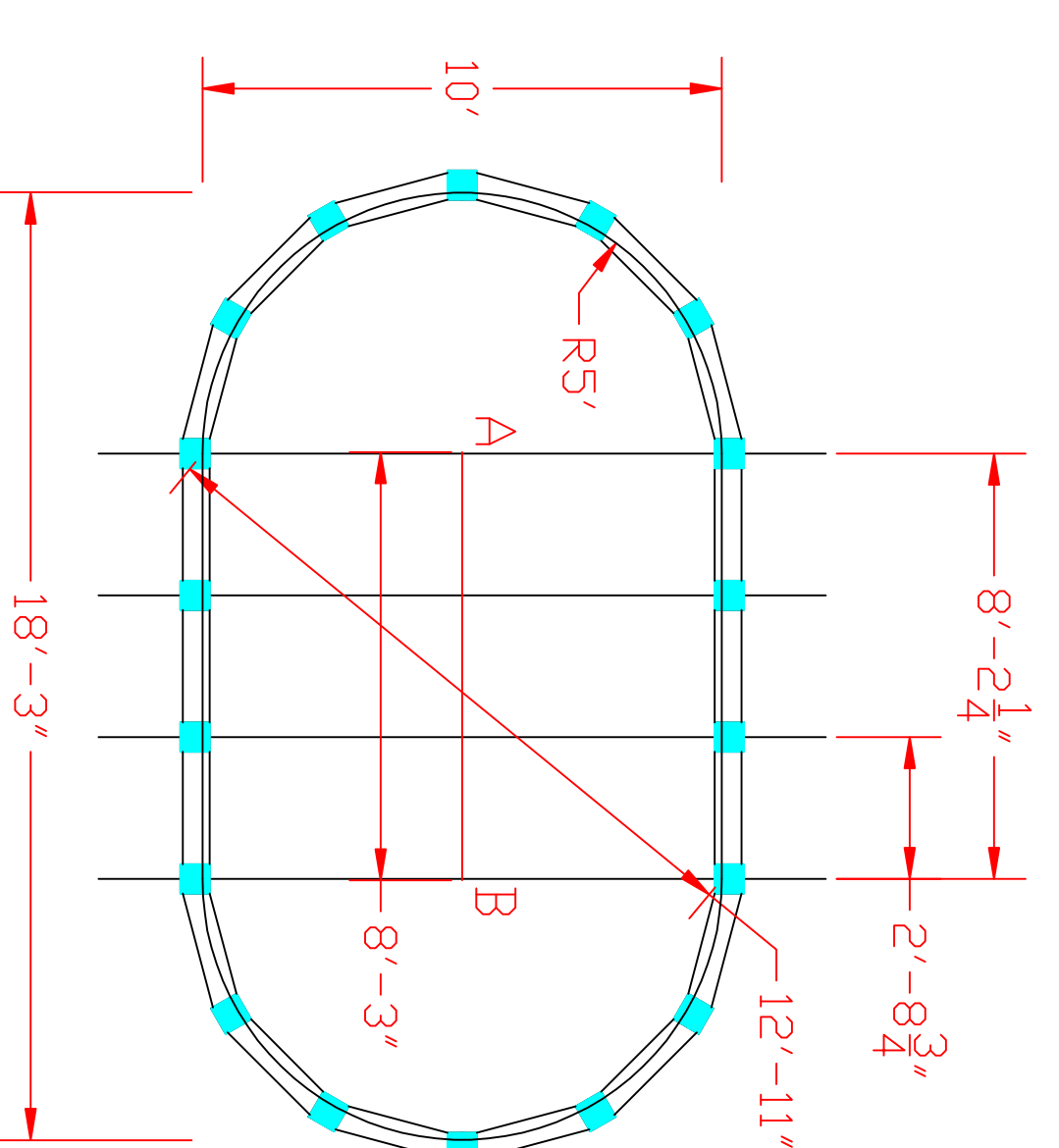
8x19 (8'1" x 19'1")
 PERIMETER - 47'5"
 AREA - 140.3 sq. ft.
 CAPACITY - 3,800 GAL. (14,364L)



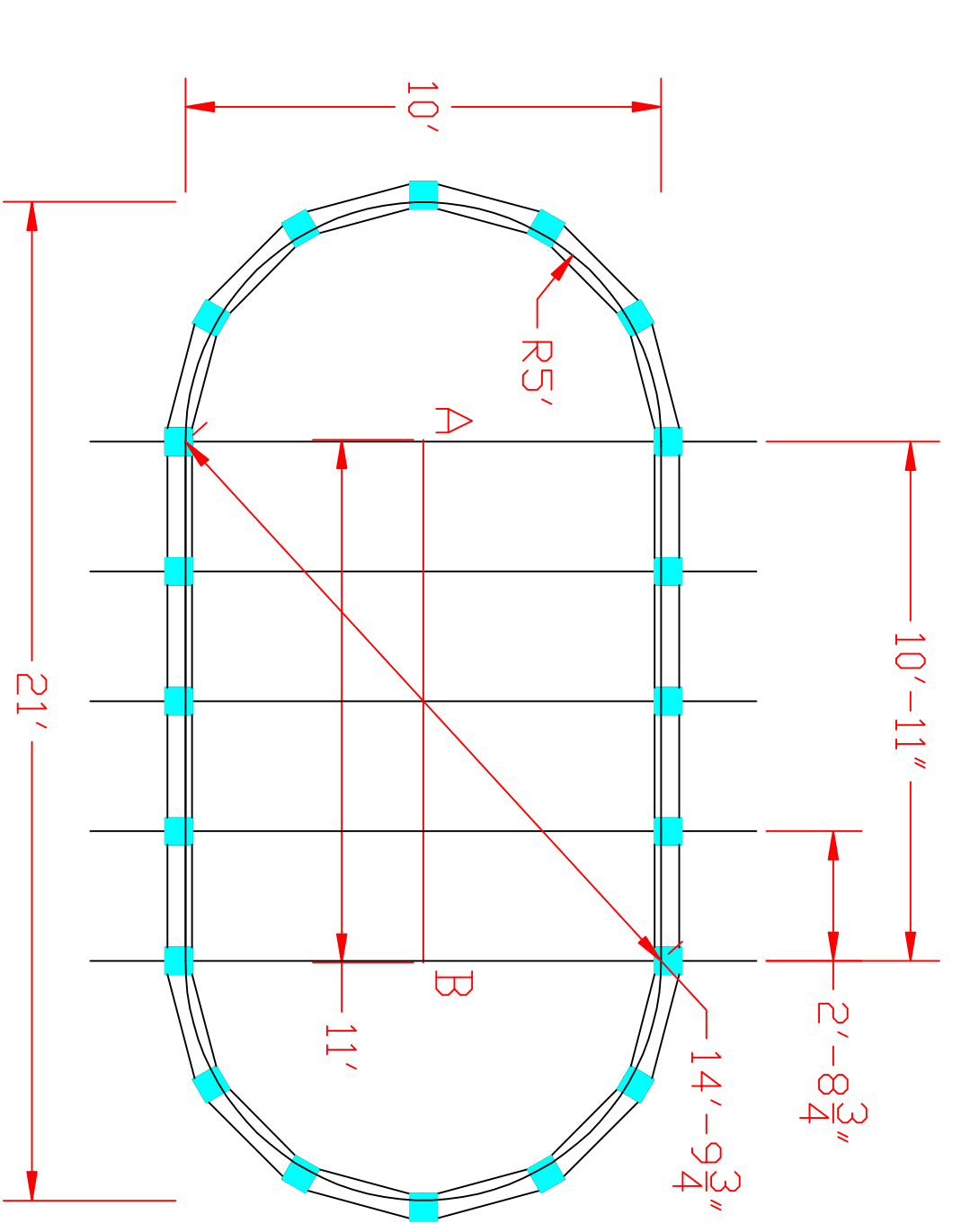
10x16 (10'0" x 15'6")
 PERIMETER - 42'5"
 AREA - 133.6sq. ft.
 CAPACITY - 3,650 GAL. (13,797L)



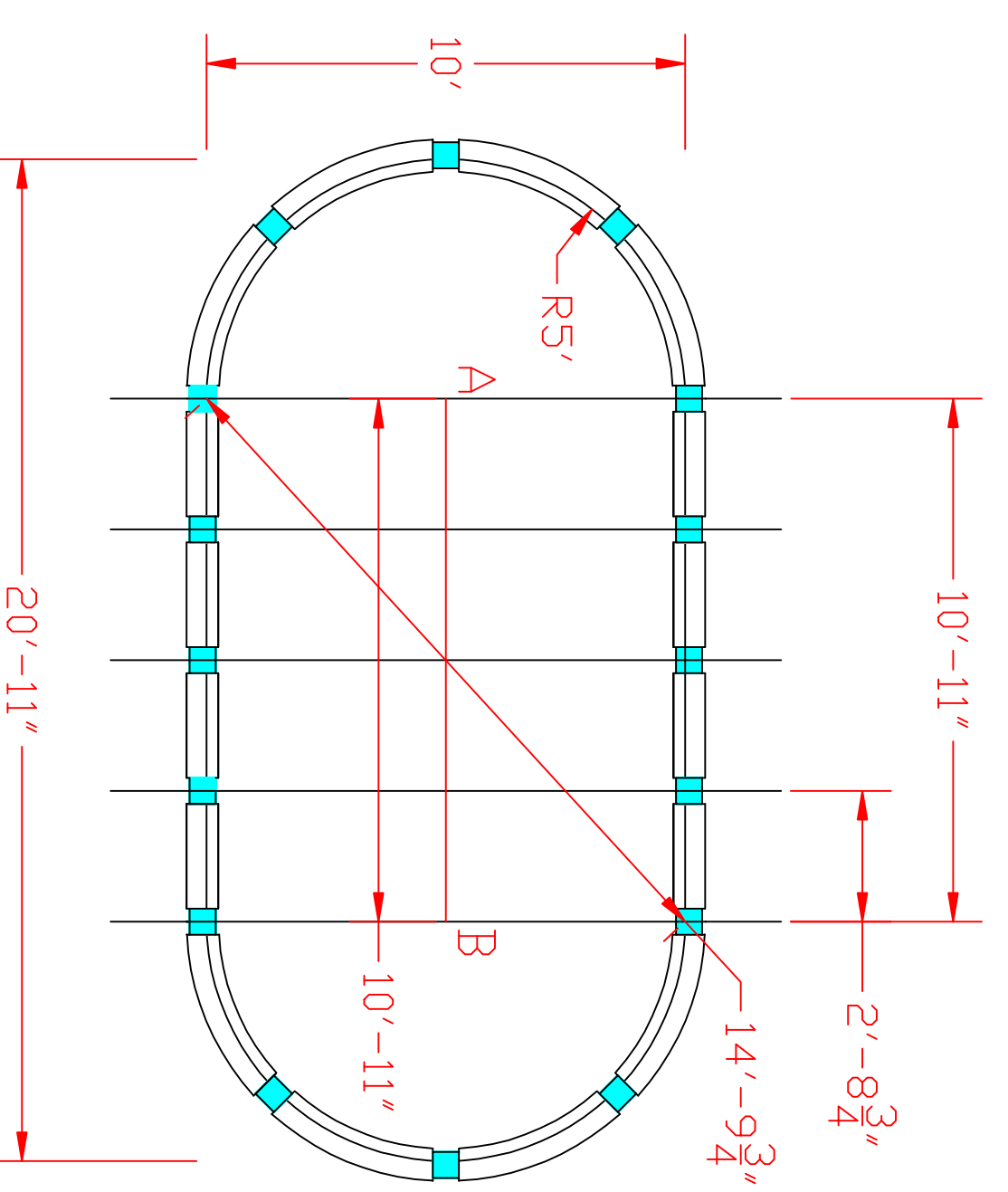
TREVI 222
 10x16 (10'0" x 15'5-3/4")
 PERIMETER - 42'5"
 AREA - 133.3 sq. ft.
 CAPACITY - 3,600 GAL. (13,608L)



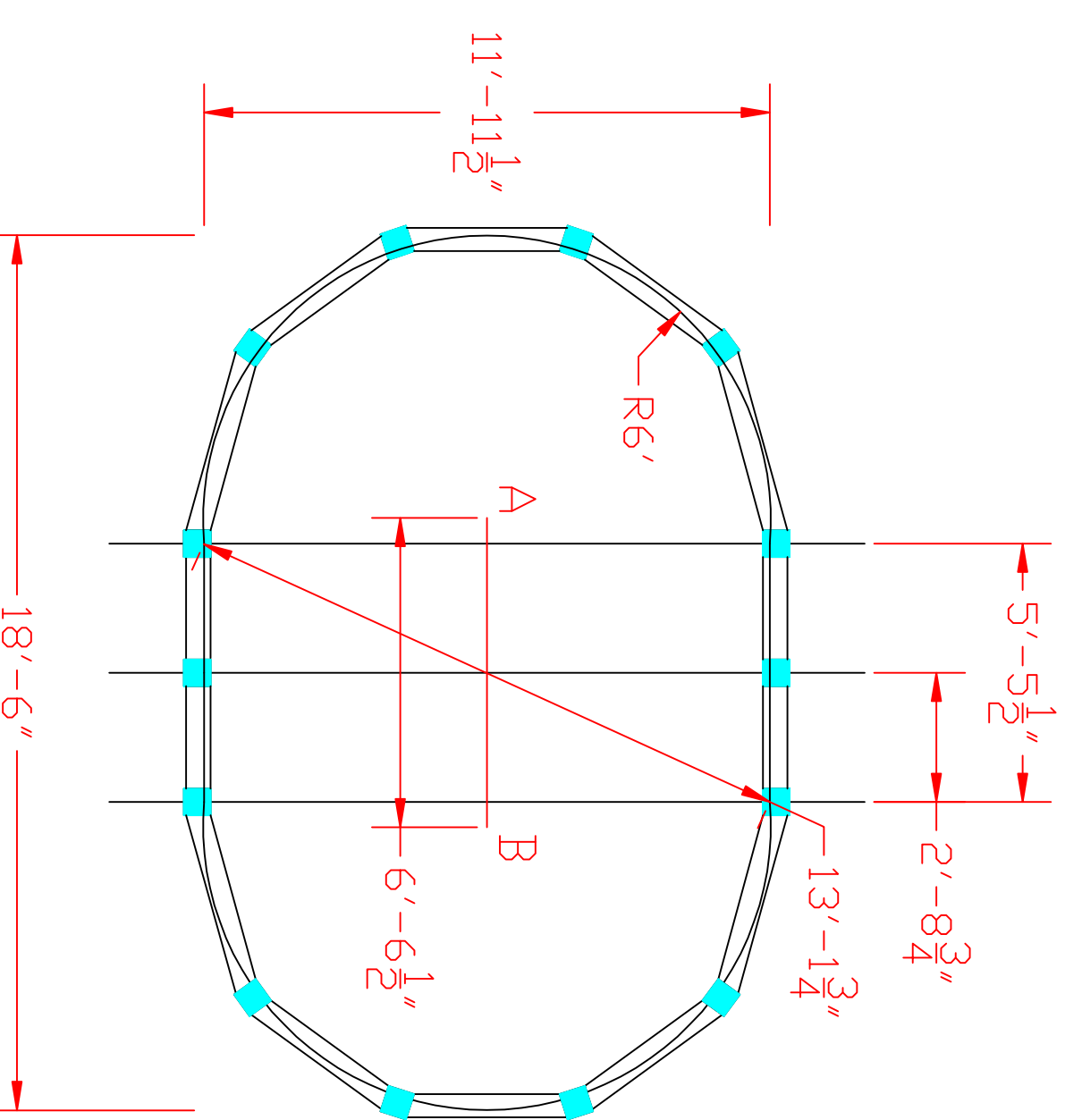
10x18 (10'0" x 18'3")
 PERIMETER - 47'11"
 AREA - 161.0 sq. ft.
 CAPACITY - 4,400 GAL. (16,632L)



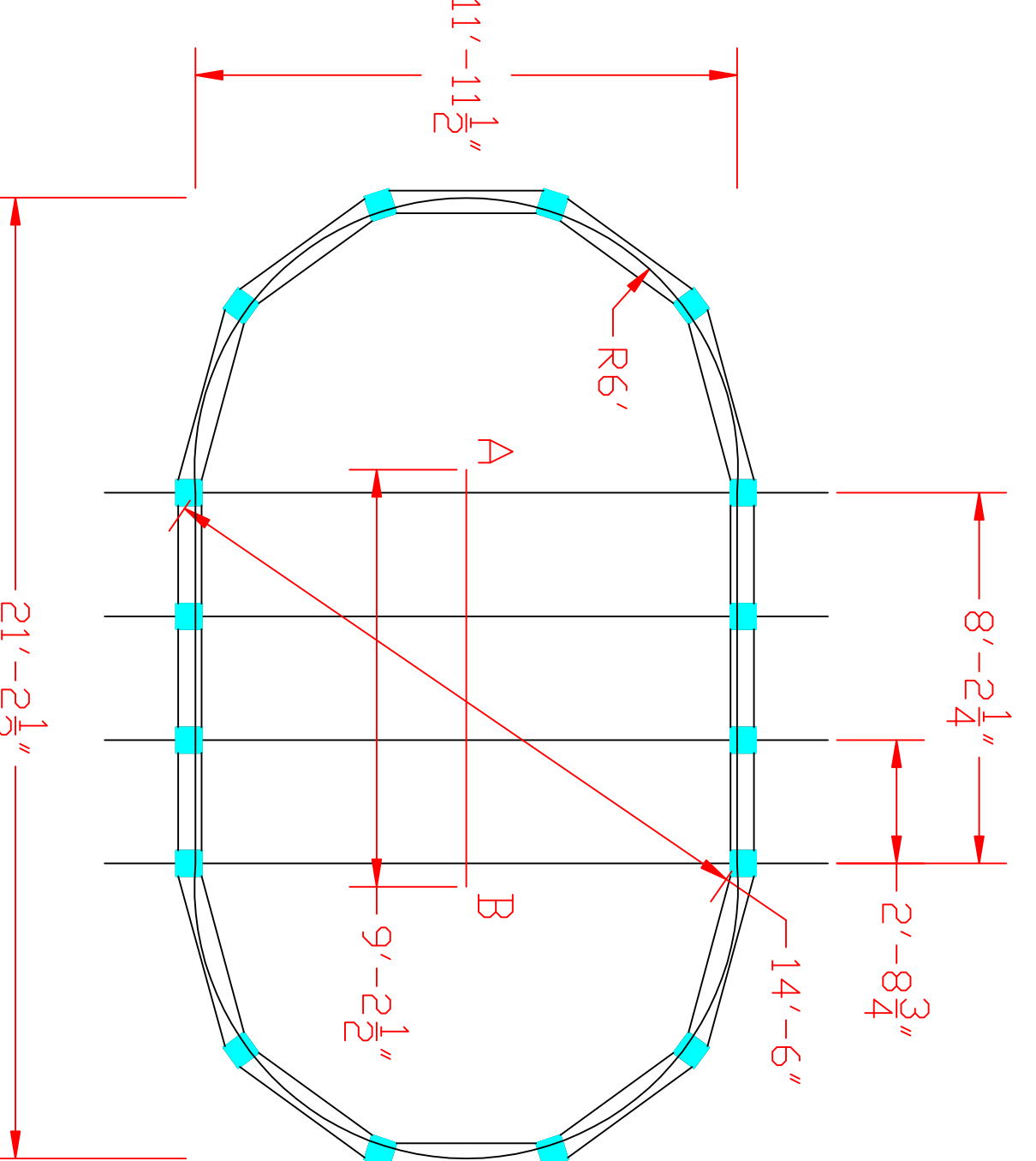
10x21 (10'0" x 21'0")
 PERIMETER - 53'5"
 AREA - 188.6 sq. ft.
 CAPACITY - 5,100 GAL. (19,278L)



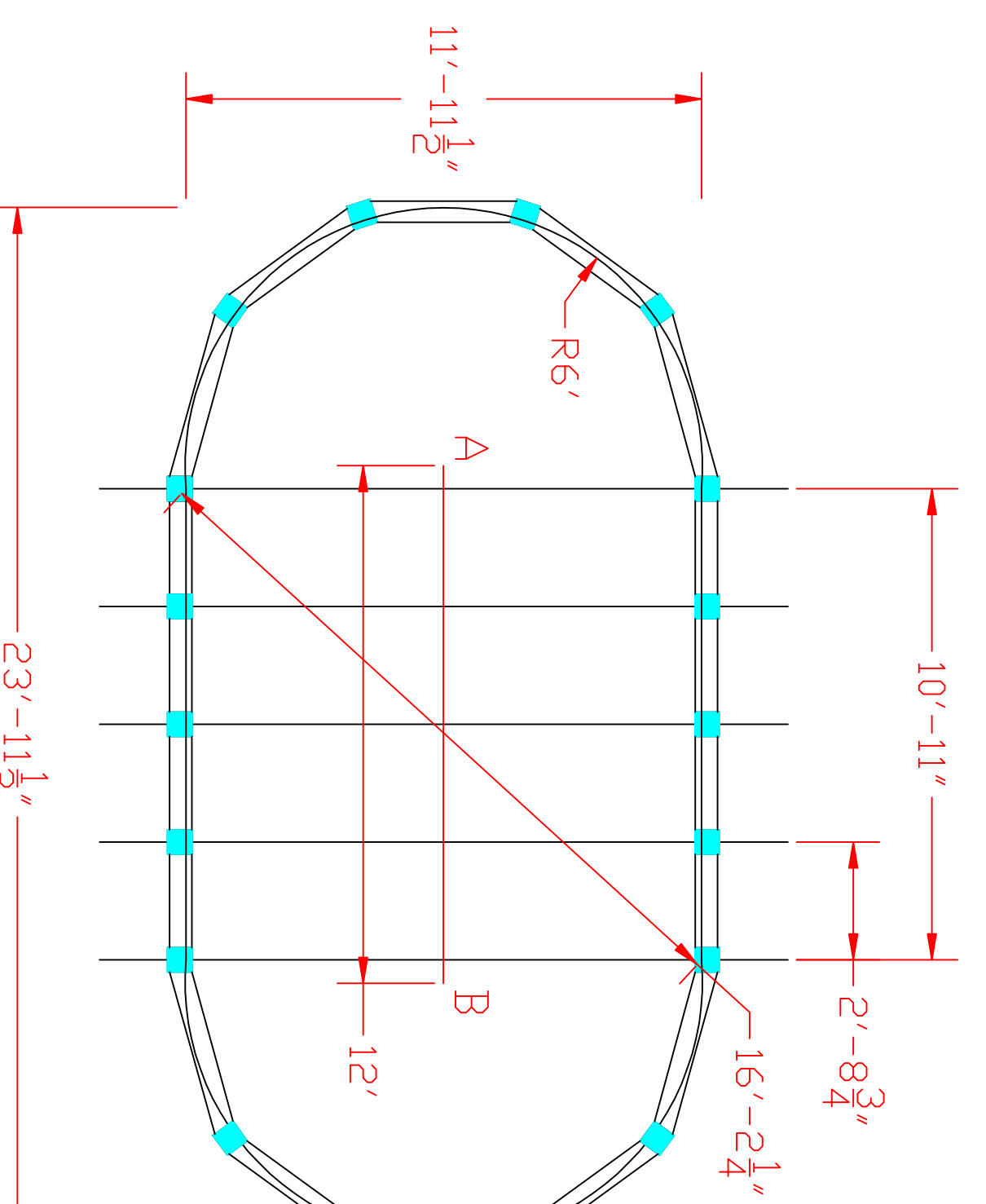
TREVI 222
 10x21 (10'0" x 20'11")
 PERIMETER - 53'3"
 AREA - 187.8 sq. ft.
 CAPACITY - 5,100 GAL. (19,278L)



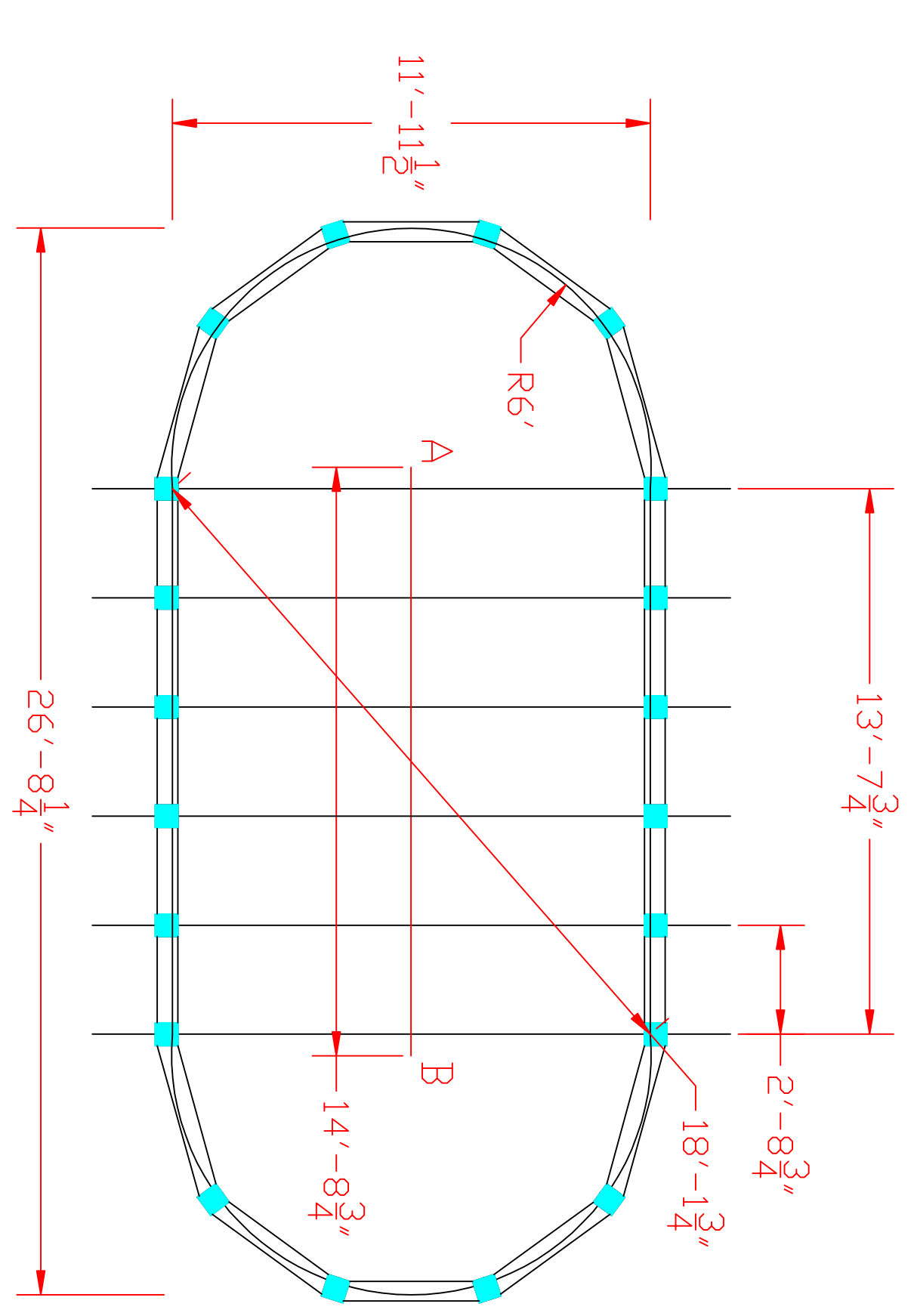
12x18 (11'11-1/2" x 18'6")
 PERIMETER - 50'7"
 AREA - 190.4 sq. ft.
 CAPACITY - 5,200 GAL. (19,656)



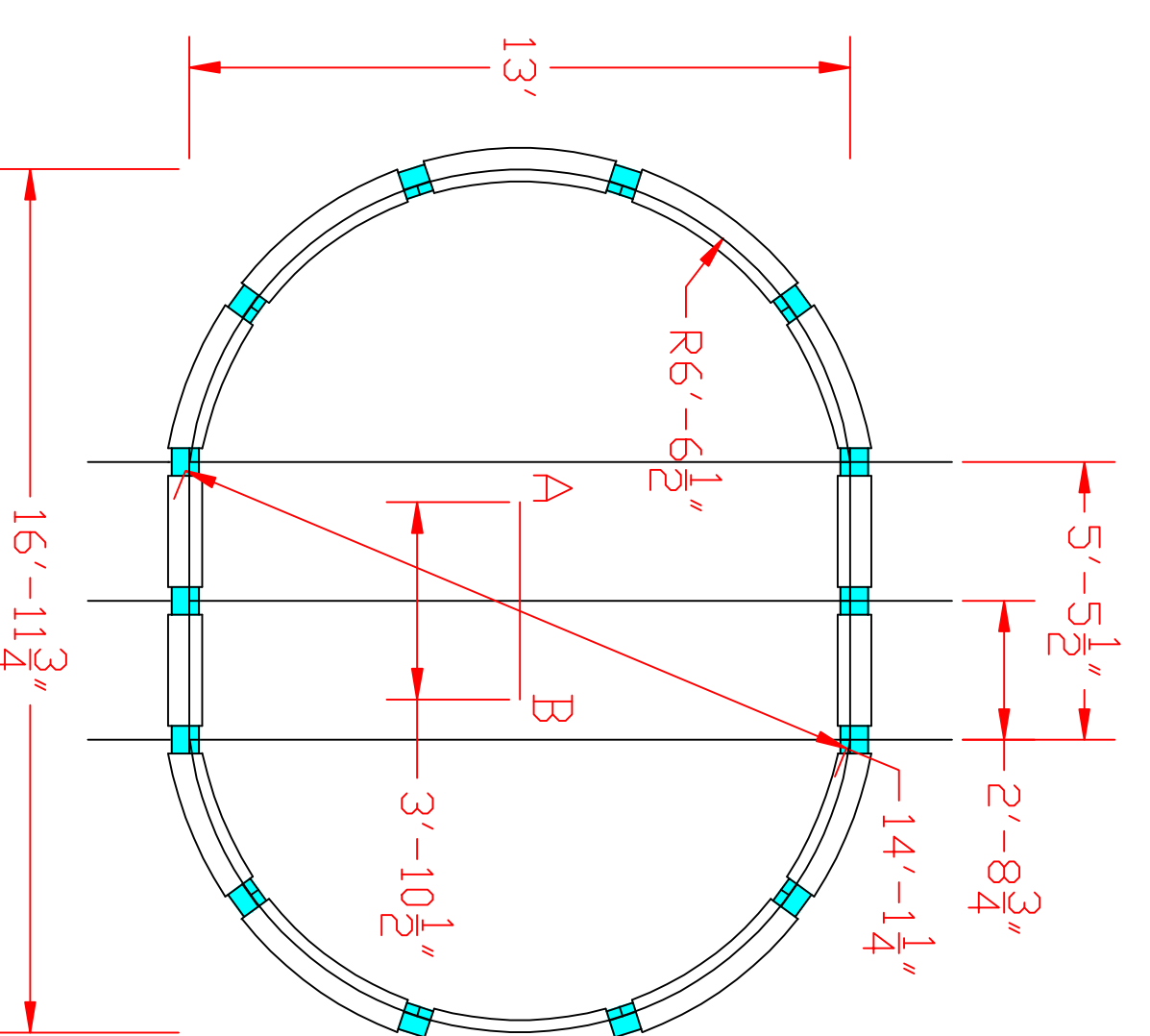
12x21 (11'11-1/2" x 21'2-1/2")
 PERIMETER - 56'1"
 AREA - 223.2 sq. ft.
 CAPACITY - 6,050 GAL. (22,869L)



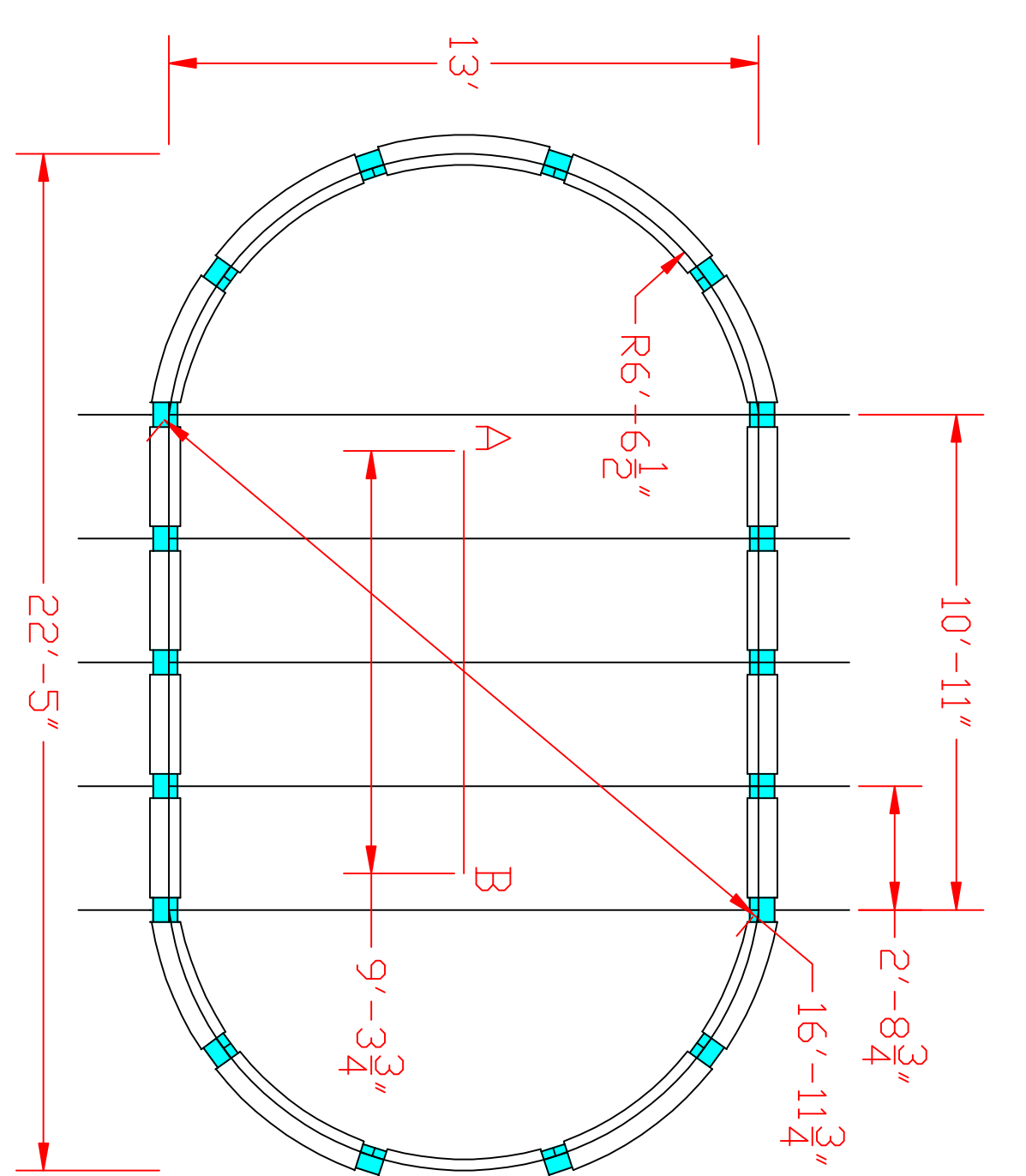
12x24 (11'11-1/2" x 23'11-1/2")
 PERIMETER - 61'7"
 AREA - 256.1 sq. ft.
 CAPACITY - 6,950 GAL. (26,271L)



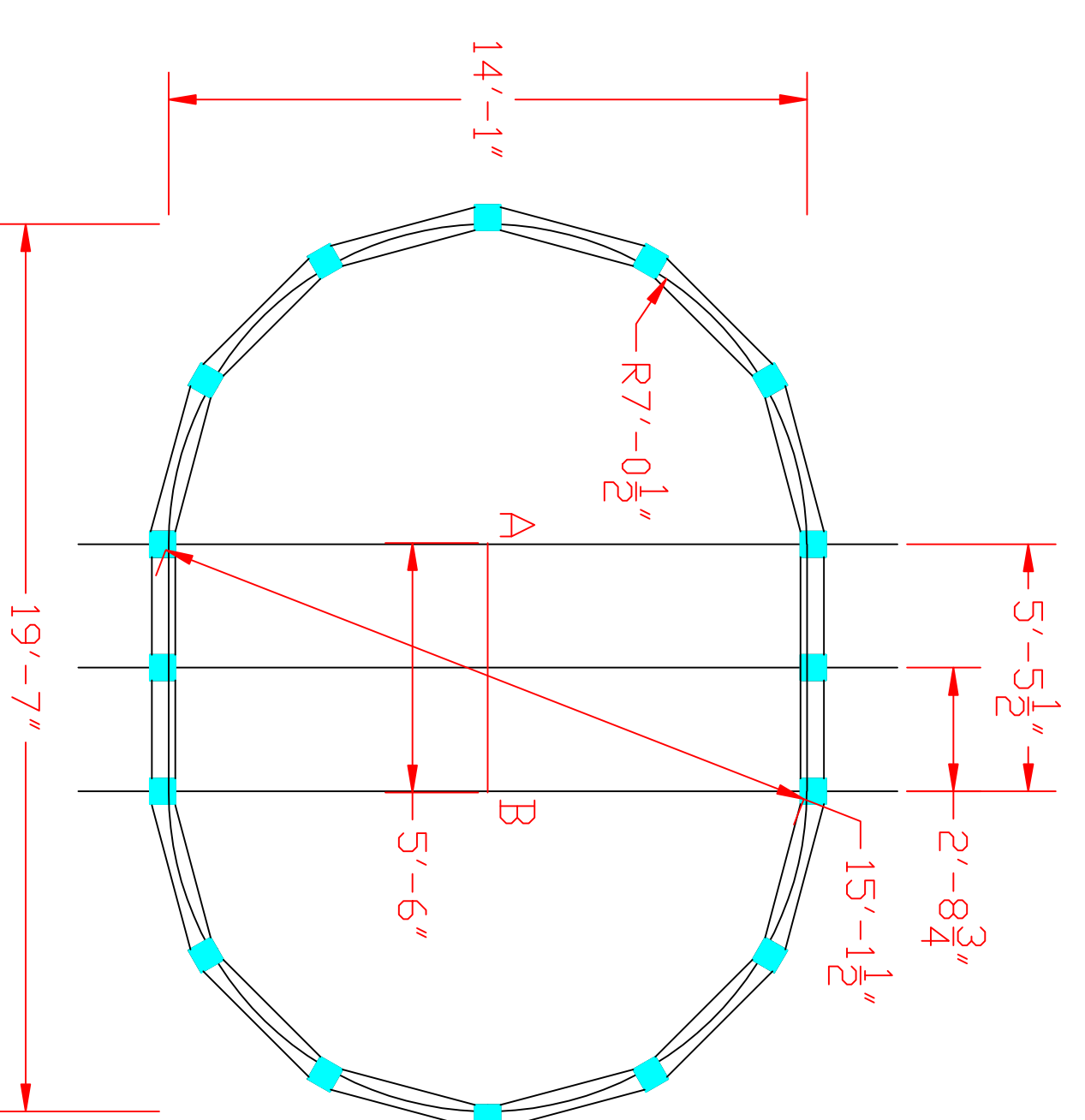
12x27 (11'11-1/2" x 26'8-1/4")
 PERIMETER - 67'1"
 AREA - 288.5 sq. ft.
 CAPACITY - 7,840 GAL. (29,635.2L)



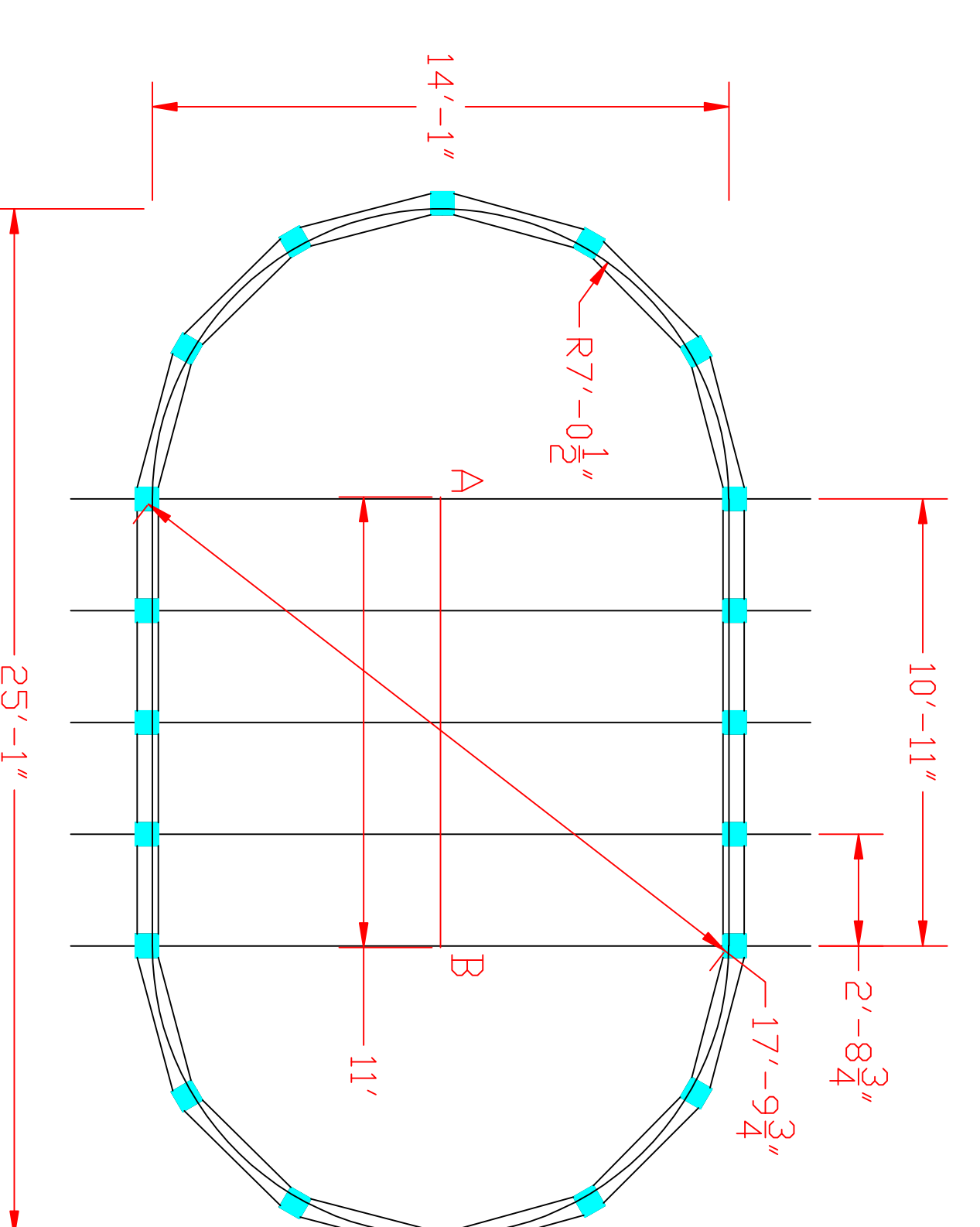
TREVI 222
 13x18 (13'0" x 16'11-3/4")
 PERIMETER - 48'11"
 AREA - 185.0 sq. ft.
 CAPACITY - 5,050 GAL. (19,089L)



TREVI 222
 13x23 (13'0" x 22'5")
 PERIMETER - 59'10"
 AREA - 256.0 sq. ft.
 CAPACITY - 6,950 GAL. (26,271L)



14x20 (14'1" x 19'7")
 PERIMETER - 55'3"
 AREA - 233.3 sq. ft.
 CAPACITY - 6,300 GAL. (23,814L)



TREVI 222
 14x25 (14'1" x 25'1")
 PERIMETER - 66'3"
 AREA - 310.7 sq. ft.
 CAPACITY - 8,400 GAL. (31,752L)

