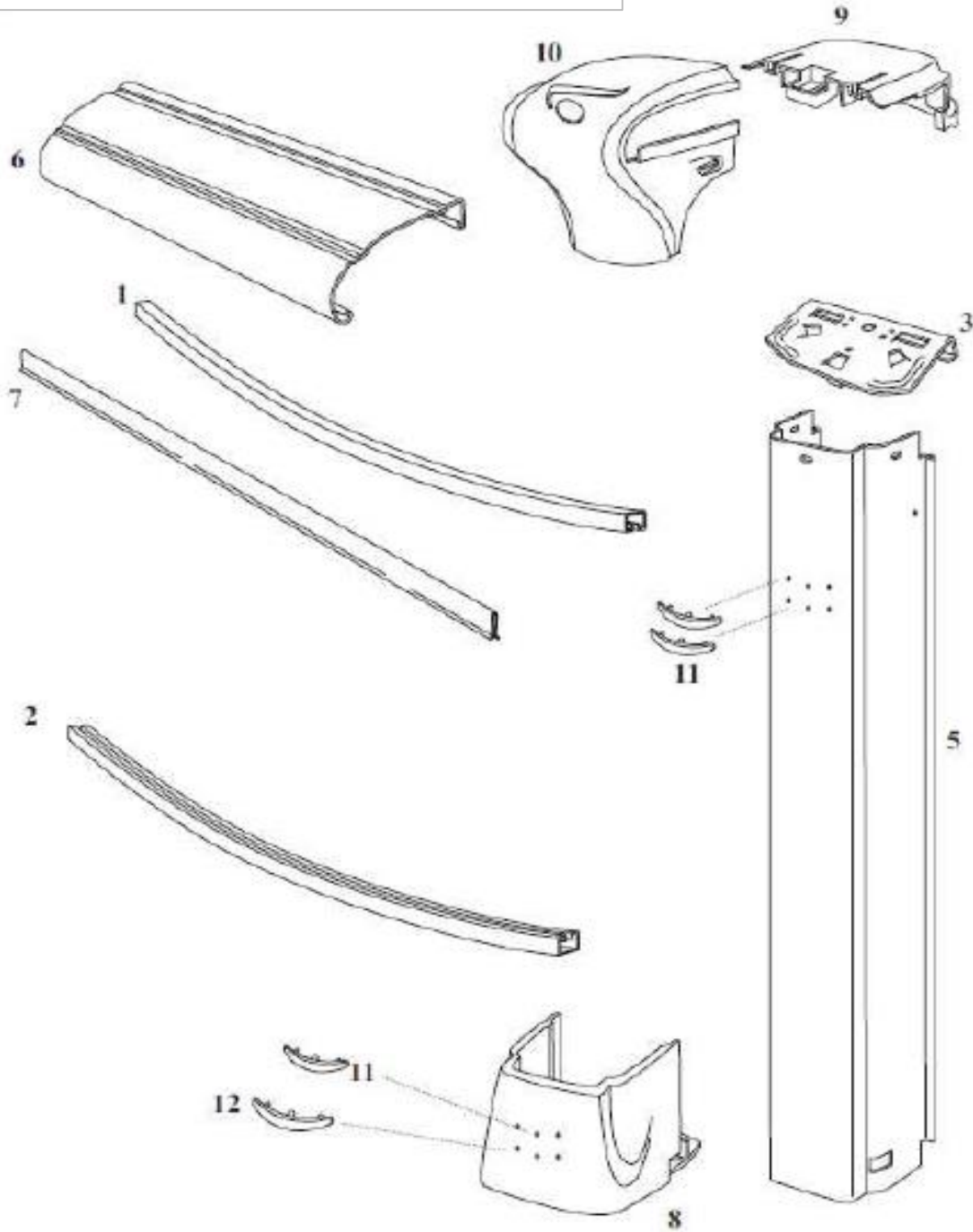


Avalon PAVA-**52RSRRR4

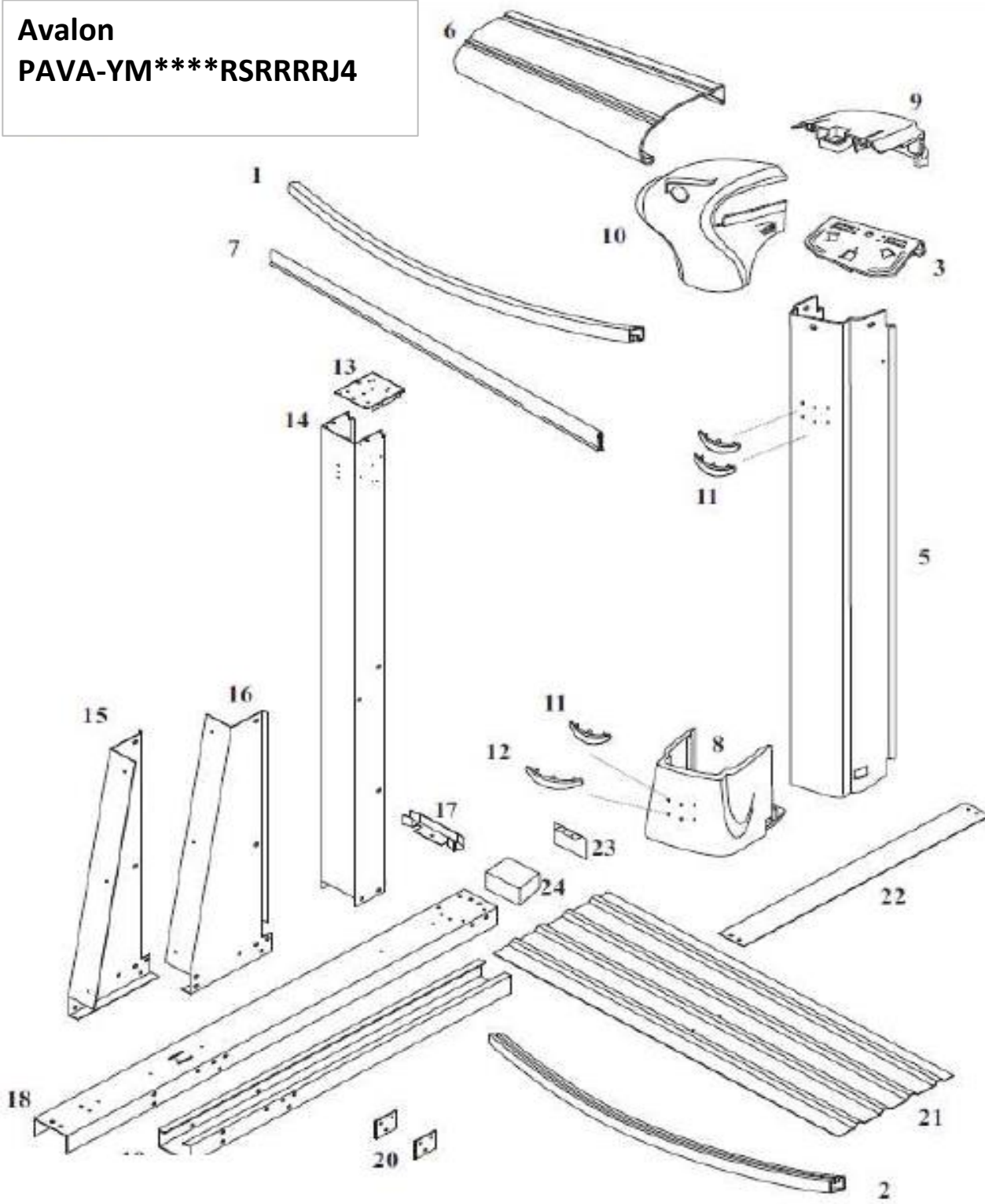


				Qty Required for Installation (by Size)						
Index #	Description	Part #	Length	15'	18'	21'	24'	27'	30'	Retail Price
6	Top Rail Curved	27096	56"	10	12	14	16	18	20	\$75.63
5	Upright	40158	51-13/16"	10	12	14	16	18	20	Call for Pricing
9	Top Cap Inner	40037	8"	10	12	14	16	18	20	Call for Pricing
10	Top Cap Outer	40036	8"	10	12	14	16	18	20	Call for Pricing
8	Boot	40035	8"	10	12	14	16	18	20	Call for Pricing
12	Accent Clip Large	40039	8"	10	12	14	16	18	20	Call for Pricing
11	Accent Clip Small	40038	8"	30	36	42	48	54	60	Call for Pricing
7	Plastic Coping	10296	48"	12	14	16	19	21	24	\$1.45
3	Top Plate	16298	6-1/2"	10	12	14	16	18	20	\$2.76
1	Rim	29889	56-1/16"	10						\$12.19
1	Rim	29890	56-1/16"		12					\$12.19
1	Rim	29891	56-1/16"			14				\$12.19
1	Rim	29894	56-1/16"				18	18	20	\$17.85
1	Inner Stabilizer Resin Connector	29931	5-1/2"	10	12	14	16	18	20	\$3.34
2	Bottom Rail	12312	54-1/4"	10						\$27.73
2	Bottom Rail	12321	54-1/4"		12					\$27.73
2	Bottom Rail	12322	54-1/4"			14				\$27.73
2	Bottom Rail	12323	54-1/4"				16			\$27.73
2	Bottom Rail	12324	54-1/4"					18		\$27.73
2	Bottom Rail	12325	54-1/4"						20	\$27.73
*	Hardware	22-10074			1					\$24.39
*	Hardware	22-10075					1			\$32.37
*	Hardware	22-10090		1						\$20.32
*	Hardware	22-10091				1				\$28.31
*	Hardware	22-10096						1		\$36.44
*	Hardware	22-10097							1	\$40.50
*	Hardware	44-10003		1						\$21.19
*	Hardware	44-10005			1					\$22.06
*	Hardware	44-10007				1				\$24.10
*	Hardware	44-10008					1			\$25.40
*	Hardware	44-10010						1		\$27.15
*	Hardware	44-10012							1	\$29.61
*	Warranty Terms & Conditions	920045		1	1	1	1	1	1	Call for Pricing
*	Envelope Safety Stickers	95-0007		1	1	1	1	1	1	\$6.49
*	Instructional DVD	36878		1	1	1	1	1	1	\$8.40

*May not be pictured

Avalon

PAVA-YM***RSRRRJ4



Product Description:

Avalon Yardmore Oval

2/15/2018

Product Code

PAVA-YM52RSRRRJ4

Qty Required for Installation (by Size)

Index #	Description	Part #	Length	1224	1526	1530	1833	Retail Price
6	Top Rail Curved	27093	40-3/32"	10				\$77.42
6	Top Rail Curved	27094	51-5/32"		10	10		\$64.02
6	Top Rail Curved	27096	56"				12	\$75.63
6	Top Rail Straight Side	27097	41-1/4"	8	8	10	10	\$51.68
5	Upright	40158	51-13/16"	12	12	12	14	Call for Pricing
14	Wrap Upright Oval Mocha Metallic	38837	54"	6	6	8	8	\$60.39
10	Top Cap Inner	40037	8"	18	18	20	22	Call for Pricing
9	Top Cap Outer Curved End	40036	8"	12	12	12	14	Call for Pricing
9	Top Cap Outer Straight Side	40040	8"	6	6	8	8	Call for Pricing
8	Bottom Boot	40035	8"	12	12	12	14	Call for Pricing
11	Accent Clip Large (Boot)	40039		12	12	12	14	Call for Pricing
12	Accent Clip Small 3-ea. (Upright)	40038	8"	36	36	36	42	Call for Pricing
13	Top Plate Curved	10136	4"	6	6	8	8	\$1.74
3	Top Plate	16298	6-1/2"	12	12	12	14	\$2.76
7	Plastic Coping	10296	48"	16	19	19	21	\$1.45
1	Rim	29890	56-1/16"				12	\$12.19
1	Rim	29889	56-1/16"		10	10		\$12.19
1	Rim	29934	8"	6	6	8	8	\$2.47
1	Rim	29935	33"		4	6	6	\$12.19
1	Rim	29936	37"	4	4	4	4	\$12.19
1	Rim	33129	40-1/4"	10				\$8.71
1	Inner Stabilizer Connector	29931	5-1/2"	12	12	12		\$3.34
2	Bottom Rail	12327	37-1/2"		4	6	6	\$27.73
2	Bottom Rail Corner	12328	39"	4	4	4	4	\$27.73
2	Bottom Rail	12311	49"		10			\$27.73
2	Bottom Rail	12331	50"				12	\$27.73
2	Bottom Rail	38991	38"	10				\$27.73
17	Connector Bottom Rail Straight Side	16542		6	6	8	8	\$2.32
21	Pressure Plate	16549	44"	6	6	8	8	\$49.94
18	Upper Oval Channel	16539	52-3/8"	6	6	8	8	\$72.87
23	Oval Channel End Cap	22726		6	6	8	8	\$1.45
24	Oval Channel Foam Block	29917		6	6	8	8	\$3.63
19	Under Channel Yardmore	15933	45-9/16"	6	6	8	8	\$62.42
15	Yardmore Gusset Left	38562		6	6	8	8	\$44.85
16	Yardmore Gusset Right	38563		6	6	8	8	\$44.85
22	Strap Section	16724	41-1/16"	6				\$8.56
22	Strap Section	16725	40-11/16"		9	12		\$8.42
22	Strap Section	16726	52-11/16"				12	\$10.89
*	Hardware Stainless Steel Base Pack YM	22-16722	[2 upr]	1	1			\$32.81
*	Hardware Stainless Steel Base Pack YM	22-16720	[4 upr]	1	1	2	2	\$65.18
*	Hardware	22-10073		1	1			\$16.40
*	Hardware	22-10074					1	\$24.39
*	Hardware	22-10090		1	1	2	1	\$20.32
*	Hardware	44-10023		1				\$56.61
*	Hardware	44-10025			1			\$56.61
*	Hardware	44-10026				1		\$68.66
*	Hardware	44-10027					1	\$70.11
*	Warranty Terms & Conditions	920045		1	1	1	1	Call for Pricing
*	Envelope Safety Stickers	95-0007		1	1	1	1	\$6.49
*	Instructional DVD	36878		1	1	1	1	\$8.40

*May not be pictured

CRAVA30-RRRJ4

Pool Carton:
CTN: AVA 30 CRV-SIDE COMP

QTY	Piece Part	DESCRIPTION
1	36878	BACKYARD LEISURE CONSUMER DVD
1	44-10012	HARDWARE POOL KIT ZY 12
20	40039	TC 8" CHOCOLATE ACCENT CLIP LRG [J4]
24	10296	PLASTIC COPING SINGLE 48" FOR METAL STAB
20	29894	RIM 5/8" SQ RSN 15'R/16'6" 56-1/16" GOLD
1	95-0007	ENVELOPES SAFETY COMPLETE
1	920045	BACKYARD LEISURE WARRANTY TERMS & CONDITIONS
20	29931	INR STAB SQ RESIN CONNECTOR 5 1/2"
20	40036	TC 8" CHOCOLATE OUTER HALF CVD [J4]
20	40037	TC 8" CHOCOLATE INNER HALF [J4]
20	12325	BTM RAIL (LX) PRL RESIN 15'0" R CMN 54-1/4" GOLD
60	40038	TC 8" CHOCOLATE ACCENT CLIP SML [J4]
20	40035	TC 8" CHOCOLATE BOOT [J4]
20	16298	TOP PLATE 6.5" LYR GF

Packaging/Shipping Materials

1	97-1357B	CARTON-EMPTY [2XT] ID 58-5/16X20X9-5/8 ETC48 BOT
1	97-1357T	CARTON-EMPTY [2XT] ID 58-5/16X21-1/2X5-3/4 ETC48 TOP

CRAVATR-20

Pool Carton:
CTN: AVA CRV-SIDE FRAME COMP

	QTY	Piece Part	DESCRIPTION
	20	27096	TR 8" PUMICE RESIN CMN 56"
	1	22-10097	HDW SS #10X1 PHILHX WSHR SCREW 99-0070 QTY-80

Packaging/Shipping Materials

1	97-1357B	CARTON-EMPTY [2XT] ID 58-5/16X20X9-5/8 ETC48 BOT
1	97-1357T	CARTON-EMPTY [2XT] ID 58-5/16X21-1/2X5-3/4 ETC48 TOP

CRAVAUS52-20

Pool Carton:
CTN: AVA 52" CRV-SIDE FRAME COMP

	QTY	Piece Part	DESCRIPTION
	20	40158	UR 6.5" LX MOCHA METALLIC 51-13/16"

Packaging/Shipping Materials

1	97-1355B	CARTON-EMPTY [2X] ID 58-5/16X20X5-5/8 ETC48 BOT
1	97-1355T	CARTON-EMPTY [2X] ID 58-5/16X21-1/2X5-3/4 ETC48 TOP

CRAVA12TR-10

Pool Carton:
CTN: AVA 12 CRV-SIDE FRAME COMP

	QTY	Piece Part	DESCRIPTION
	1	22-10090	HDW SS #10X1 PHILHX WSHR SCREW 99-0070 QTY-40
	10	27093	TR 8" PUMICE RESIN 12' 40 3/32"

Packaging/Shipping Materials

	1	97-1355T	CARTON-EMPTY [2X] ID 58-5/16X21-1/2X5-3/4 ETC48 TOP
	1	97-1355B	CARTON-EMPTY [2X] ID 58-5/16X20X5-5/8 ETC48 BOT

CRAVAUS52-12

Pool Carton:
CTN: AVA 52" CRV-SIDE FRAME COMP

	QTY	Piece Part	DESCRIPTION
	12	40158	UR 6.5" LX MOCHA METALLIC 51-13/16"

Packaging/Shipping Materials

	1	97-1355T	CARTON-EMPTY [2X] ID 58-5/16X21-1/2X5-3/4 ETC48 TOP
	1	97-1355B	CARTON-EMPTY [2X] ID 58-5/16X20X5-5/8 ETC48 BOT

CVAVATR-08

Pool Carton:
CTN: AVA OVL-STR-SIDE FRAME COMP

	QTY	Piece Part	DESCRIPTION
	6	16549	PRESSURE PLATE (44")
	1	22-10073	HDW SS #10X1 PHILHX WSHR SCREW 99-0070 QTY-32
	8	27097	TR 8" PUMICE RESIN STR SIDE 41 1/4"

Packaging/Shipping Materials

1	97-1355B	CARTON-EMPTY [2X] ID 58-5/16X20X5-5/8 ETC48 BOT
1	97-1355T	CARTON-EMPTY [2X] ID 58-5/16X21-1/2X5-3/4 ETC48 TOP

CVAVAVS52-06

Pool Carton:
CTN: AVA 52" OVL-STR-SIDE FRAME COMP

	QTY	Piece Part	DESCRIPTION
	6	29917	OVAL CHANNEL FOAM BLOCK 2 X 4 X 4 1/8
	6	38837	WRAP UR OVAL MOCHA METALLIC 52" (53" OVERALL LENGT

Packaging/Shipping Materials

1	97-1353B	CARTON-EMPTY [3X] ID 58-1/16X12-1/2X5-5/8 ETC48 BOT
1	97-1353T	CARTON-EMPTY [3X] ID 58-5/16X14X5-3/4 ETC48 TOP

CVSTRAP12-06

Pool Carton:
CTN: UNIV OVL-STR-SIDE FRAME COMP

	QTY	Piece Part	DESCRIPTION
	6	16542	CONNECTOR BTM RAIL STR SIDE STEEL
	6	16539	STRAP OVER CHANNEL 2" TALL X 52 3/8"
	6	16724	STRAP SECTION 41 11/16"(FOR 12')
	6	22726	OVAL CHANNEL END CAP

Packaging/Shipping Materials

1	97-1351B	CARTON-EMPTY [4X] ID 58-1/16X8-3/4X5-5/8 ETC48 BOT
1	97-1351T	CARTON-EMPTY [4X] ID 58-5/16X10-1/4X5-3/4 ETC48 TOP

CVUCGMOM-0202

Pool Carton:
CTN: UNIV OVL-STR-SIDE FRAME COMP

	QTY	Piece Part	DESCRIPTION
	2	38563	YARDMORE GUSSET RIGHT MOCHA METALLIC
	1	22-16722	HDW SS ADD PACK YM (2 UPRIGHT)
	2	38562	YARDMORE GUSSET LEFT MOCHA METALLIC
	2	15933	UNDER CHANNEL YARDMORE 45 9/16"

Packaging/Shipping Materials

1	97-1353T	CARTON-EMPTY [3X] ID 58-5/16X14X5-3/4 ETC48 TOP
1	97-1353B	CARTON-EMPTY [3X] ID 58-1/16X12-1/2X5-5/8 ETC48 BOT

CVUCGMOM-0404

Pool Carton:
CTN: UNIV OVL-STR-SIDE FRAME COMP

	QTY	Piece Part	DESCRIPTION
	4	38563	YARDMORE GUSSET RIGHT MOCHA METALLIC
	4	38562	YARDMORE GUSSET LEFT MOCHA METALLIC
	4	15933	UNDER CHANNEL YARDMORE 45 9/16"
	1	22-16720	HDW SS BASE PACK YM(4 UPRIGHTS)

Packaging/Shipping Materials

1	97-1353B	CARTON-EMPTY [3X] ID 58-1/16X12-1/2X5-5/8 ETC48 BOT
1	97-1353T	CARTON-EMPTY [3X] ID 58-5/16X14X5-3/4 ETC48 TOP

CXAVA1224-RRRJ4

Pool Carton:
CTN: AVA 1224 MIXED CRV/STR COMP

QTY	Piece Part	DESCRIPTION
12	40035	TC 8" CHOCOLATE BOOT [J4]
36	40038	TC 8" CHOCOLATE ACCENT CLIP SML [J4]
6	40040	TC 8" CHOCOLATE OUTER HALF STR [J4]
4	12328	BTM RAIL (LX) PRL RESIN 9'0" R 39" CRNR FLUO ORANGE
4	29936	RIM 5/8" SQ RSN 9'0"R 37" BLACK
6	29934	RIM 5/8" SQ RSN 9'0"R 8" BLACK
6	10136	TOP PLATE 4" OVAL
10	38991	BTM RAIL (LX) PRL RESIN 5'6" R 38" YELLOW
1	36878	BACKYARD LEISURE CONSUMER DVD
18	40037	TC 8" CHOCOLATE INNER HALF [J4]
4	12327	BTM RAIL (LX) PRL RESIN 9'0" R 37-1/2" STR LIGHT BLUE
12	40036	TC 8" CHOCOLATE OUTER HALF CVD [J4]
10	33129	RIM 5/8" SQ RSN 6'0"R 40-1/4" DK GRAY
1	44-10023	HARDWARE POOL KIT ZY OVAL 23
1	920045	BACKYARD LEISURE WARRANTY TERMS & CONDITIONS
4	29935	RIM 5/8" SQ RSN 9'0"R 33" BLACK
1	95-0007	ENVELOPES SAFETY COMPLETE
12	40039	TC 8" CHOCOLATE ACCENT CLIP LRG [J4]
12	16298	TOP PLATE 6.5" LYR GF
12	29931	INR STAB SQ RESIN CONNECTOR 5 1/2"
16	10296	PLASTIC COPING SINGLE 48" FOR METAL STAB

Packaging/Shipping Materials

1	97-1357B	CARTON-EMPTY [2XT] ID 58-5/16X20X9-5/8 ETC48 BOT
1	97-1357T	CARTON-EMPTY [2XT] ID 58-5/16X21-1/2X5-3/4 ETC48 TOP

CRAVA15TR-10

Pool Carton:
CTN: AVA 15 CRV-SIDE FRAME COMP

	QTY	Piece Part	DESCRIPTION
	10	27094	TR 8" PUMICE RESIN 15' 51 5/32"
	1	22-10090	HDW SS #10X1 PHILHX WSHR SCREW 99-0070 QTY-40

Packaging/Shipping Materials

1	97-1355B	CARTON-EMPTY [2X] ID 58-5/16X20X5-5/8 ETC48 BOT
1	97-1355T	CARTON-EMPTY [2X] ID 58-5/16X21-1/2X5-3/4 ETC48 TOP

CRAVAUS52-12

Pool Carton:
CTN: AVA 52" CRV-SIDE FRAME COMP

	QTY	Piece Part	DESCRIPTION
	12	40158	UR 6.5" LX MOCHA METALLIC 51-13/16"

Packaging/Shipping Materials

	1	97-1355T	CARTON-EMPTY [2X] ID 58-5/16X21-1/2X5-3/4 ETC48 TOP
	1	97-1355B	CARTON-EMPTY [2X] ID 58-5/16X20X5-5/8 ETC48 BOT

CVAVATR-08

Pool Carton:
CTN: AVA OVL-STR-SIDE FRAME COMP

	QTY	Piece Part	DESCRIPTION
	6	16549	PRESSURE PLATE (44")
	1	22-10073	HDW SS #10X1 PHILHX WSHR SCREW 99-0070 QTY-32
	8	27097	TR 8" PUMICE RESIN STR SIDE 41 1/4"

Packaging/Shipping Materials

1	97-1355B	CARTON-EMPTY [2X] ID 58-5/16X20X5-5/8 ETC48 BOT
1	97-1355T	CARTON-EMPTY [2X] ID 58-5/16X21-1/2X5-3/4 ETC48 TOP

CVAVAVS52-06

Pool Carton:
CTN: AVA 52" OVL-STR-SIDE FRAME COMP

	QTY	Piece Part	DESCRIPTION
	6	29917	OVAL CHANNEL FOAM BLOCK 2 X 4 X 4 1/8
	6	38837	WRAP UR OVAL MOCHA METALLIC 52" (53" OVERALL LENGT

Packaging/Shipping Materials

1	97-1353B	CARTON-EMPTY [3X] ID 58-1/16X12-1/2X5-5/8 ETC48 BOT
1	97-1353T	CARTON-EMPTY [3X] ID 58-5/16X14X5-3/4 ETC48 TOP

CVSTRAP15-09

Pool Carton:
CTN: UNIV OVL-STR-SIDE FRAME COMP

	QTY	Piece Part	DESCRIPTION
	6	16539	STRAP OVER CHANNEL 2" TALL X 52 3/8"
	6	16542	CONNECTOR BTM RAIL STR SIDE STEEL
	9	16725	STRAP SECTION 40 11/16"(FOR 15')
	6	22726	OVAL CHANNEL END CAP

Packaging/Shipping Materials

1	97-1351T	CARTON-EMPTY [4X] ID 58-5/16X10-1/4X5-3/4 ETC48 TOP
1	97-1351B	CARTON-EMPTY [4X] ID 58-1/16X8-3/4X5-5/8 ETC48 BOT

CVUCGMOM-0202

Pool Carton:
CTN: UNIV OVL-STR-SIDE FRAME COMP

	QTY	Piece Part	DESCRIPTION
	2	38563	YARDMORE GUSSET RIGHT MOCHA METALLIC
	1	22-16722	HDW SS ADD PACK YM (2 UPRIGHT)
	2	38562	YARDMORE GUSSET LEFT MOCHA METALLIC
	2	15933	UNDER CHANNEL YARDMORE 45 9/16"

Packaging/Shipping Materials

1	97-1353T	CARTON-EMPTY [3X] ID 58-5/16X14X5-3/4 ETC48 TOP
1	97-1353B	CARTON-EMPTY [3X] ID 58-1/16X12-1/2X5-5/8 ETC48 BOT

CVUCGMOM-0404

Pool Carton:
CTN: UNIV OVL-STR-SIDE FRAME COMP

	QTY	Piece Part	DESCRIPTION
	4	38563	YARDMORE GUSSET RIGHT MOCHA METALLIC
	4	38562	YARDMORE GUSSET LEFT MOCHA METALLIC
	4	15933	UNDER CHANNEL YARDMORE 45 9/16"
	1	22-16720	HDW SS BASE PACK YM(4 UPRIGHTS)

Packaging/Shipping Materials

1	97-1353B	CARTON-EMPTY [3X] ID 58-1/16X12-1/2X5-5/8 ETC48 BOT
1	97-1353T	CARTON-EMPTY [3X] ID 58-5/16X14X5-3/4 ETC48 TOP

CXAVA1526-RRRJ4

Pool Carton:
CTN: AVA 1526 MIXED CRV/STR COMP

	QTY	Piece Part	DESCRIPTION
	1	44-10025	HARDWARE POOL KIT ZY OVAL 25
	6	10136	TOP PLATE 4" OVAL
	10	12311	BTM RAIL (LX) PRL RESIN 7'6" R 49" ORANGE
	12	40035	TC 8" CHOCOLATE BOOT [J4]
	4	12327	BTM RAIL (LX) PRL RESIN 9'0" R 37-1/2" STR LIGHT BLUE
	18	40037	TC 8" CHOCOLATE INNER HALF [J4]
	1	95-0007	ENVELOPES SAFETY COMPLETE
	4	29936	RIM 5/8" SQ RSN 9'0"R 37" BLACK
	6	29934	RIM 5/8" SQ RSN 9'0"R 8" BLACK
	1	920045	BACKYARD LEISURE WARRANTY TERMS & CONDITIONS
	1	36878	BACKYARD LEISURE CONSUMER DVD
	12	29931	INR STAB SQ RESIN CONNECTOR 5 1/2"
	4	29935	RIM 5/8" SQ RSN 9'0"R 33" BLACK
	36	40038	TC 8" CHOCOLATE ACCENT CLIP SML [J4]
	10	29889	RIM 5/8" SQ RSN 7'6"R 56-1/16" ORANGE
	12	16298	TOP PLATE 6.5" LYR GF
	12	40039	TC 8" CHOCOLATE ACCENT CLIP LRG [J4]
	6	40040	TC 8" CHOCOLATE OUTER HALF STR [J4]
	12	40036	TC 8" CHOCOLATE OUTER HALF CVD [J4]
	4	12328	BTM RAIL (LX) PRL RESIN 9'0" R 39" CRNR FLUO ORANGE
	19	10296	PLASTIC COPING SINGLE 48" FOR METAL STAB

Packaging/Shipping Materials

1	97-1357T	CARTON-EMPTY [2XT] ID 58-5/16X21-1/2X5-3/4 ETC48 TOP
1	97-1357B	CARTON-EMPTY [2XT] ID 58-5/16X20X9-5/8 ETC48 BOT

CRAVA15TR-10

Pool Carton:
CTN: AVA 15 CRV-SIDE FRAME COMP

	QTY	Piece Part	DESCRIPTION
	10	27094	TR 8" PUMICE RESIN 15' 51 5/32"
	1	22-10090	HDW SS #10X1 PHILHX WSHR SCREW 99-0070 QTY-40

Packaging/Shipping Materials

1	97-1355B	CARTON-EMPTY [2X] ID 58-5/16X20X5-5/8 ETC48 BOT
1	97-1355T	CARTON-EMPTY [2X] ID 58-5/16X21-1/2X5-3/4 ETC48 TOP

CRAVAUS52-12

Pool Carton:
CTN: AVA 52" CRV-SIDE FRAME COMP

	QTY	Piece Part	DESCRIPTION
	12	40158	UR 6.5" LX MOCHA METALLIC 51-13/16"

Packaging/Shipping Materials

	1	97-1355T	CARTON-EMPTY [2X] ID 58-5/16X21-1/2X5-3/4 ETC48 TOP
	1	97-1355B	CARTON-EMPTY [2X] ID 58-5/16X20X5-5/8 ETC48 BOT

CVAVATR-10

Pool Carton:
CTN: AVA OVL-STR-SIDE FRAME COMP

	QTY	Piece Part	DESCRIPTION
	8	16549	PRESSURE PLATE (44")
	1	22-10090	HDW SS #10X1 PHILHX WSHR SCREW 99-0070 QTY-40
	10	27097	TR 8" PUMICE RESIN STR SIDE 41 1/4"

Packaging/Shipping Materials

1	97-1357B	CARTON-EMPTY [2XT] ID 58-5/16X20X9-5/8 ETC48 BOT
1	97-1357T	CARTON-EMPTY [2XT] ID 58-5/16X21-1/2X5-3/4 ETC48 TOP

CVAVAVS52-08

Pool Carton:
CTN: AVA 52" OVL-STR-SIDE FRAME COMP

	QTY	Piece Part	DESCRIPTION
	8	38837	WRAP UR OVAL MOCHA METALLIC 52" (53" OVERALL LENGT
	8	29917	OVAL CHANNEL FOAM BLOCK 2 X 4 X 4 1/8

Packaging/Shipping Materials

1	97-1355B	CARTON-EMPTY [2X] ID 58-5/16X20X5-5/8 ETC48 BOT
1	97-1355T	CARTON-EMPTY [2X] ID 58-5/16X21-1/2X5-3/4 ETC48 TOP

CVSTRAP15-12

Pool Carton:
CTN: UNIV OVL-STR-SIDE FRAME COMP

	QTY	Piece Part	DESCRIPTION
	8	16539	STRAP OVER CHANNEL 2" TALL X 52 3/8"
	8	22726	OVAL CHANNEL END CAP
	8	16542	CONNECTOR BTM RAIL STR SIDE STEEL
	12	16725	STRAP SECTION 40 11/16"(FOR 15')

Packaging/Shipping Materials

1	97-1351B	CARTON-EMPTY [4X] ID 58-1/16X8-3/4X5-5/8 ETC48 BOT
1	97-1351T	CARTON-EMPTY [4X] ID 58-5/16X10-1/4X5-3/4 ETC48 TOP

CVUCGMOM-0404

Pool Carton:
CTN: UNIV OVL-STR-SIDE FRAME COMP

	QTY	Piece Part	DESCRIPTION
	4	38563	YARDMORE GUSSET RIGHT MOCHA METALLIC
	4	38562	YARDMORE GUSSET LEFT MOCHA METALLIC
	4	15933	UNDER CHANNEL YARDMORE 45 9/16"
	1	22-16720	HDW SS BASE PACK YM(4 UPRIGHTS)

Packaging/Shipping Materials

1	97-1353B	CARTON-EMPTY [3X] ID 58-1/16X12-1/2X5-5/8 ETC48 BOT
1	97-1353T	CARTON-EMPTY [3X] ID 58-5/16X14X5-3/4 ETC48 TOP

CXAVA1530-RRRJ4

Pool Carton:
CTN: AVA 1530 MIXED CRV/STR COMP

QTY	Piece Part	DESCRIPTION
6	12327	BTM RAIL (LX) PRL RESIN 9'0" R 37-1/2" STR LIGHT BLUE
1	95-0007	ENVELOPES SAFETY COMPLETE
8	29934	RIM 5/8" SQ RSN 9'0"R 8" BLACK
8	10136	TOP PLATE 4" OVAL
12	16298	TOP PLATE 6.5" LYR GF
8	40040	TC 8" CHOCOLATE OUTER HALF STR [J4]
1	920045	BACKYARD LEISURE WARRANTY TERMS & CONDITIONS
10	29889	RIM 5/8" SQ RSN 7'6"R 56-1/16" ORANGE
19	10296	PLASTIC COPING SINGLE 48" FOR METAL STAB
10	12311	BTM RAIL (LX) PRL RESIN 7'6" R 49" ORANGE
12	40036	TC 8" CHOCOLATE OUTER HALF CVD [J4]
20	40037	TC 8" CHOCOLATE INNER HALF [J4]
1	44-10026	HARDWARE POOL KIT ZY OVAL 26
12	29931	INR STAB SQ RESIN CONNECTOR 5 1/2"
4	29936	RIM 5/8" SQ RSN 9'0"R 37" BLACK
6	29935	RIM 5/8" SQ RSN 9'0"R 33" BLACK
4	12328	BTM RAIL (LX) PRL RESIN 9'0" R 39" CRNR FLUO ORANGE
12	40035	TC 8" CHOCOLATE BOOT [J4]
12	40039	TC 8" CHOCOLATE ACCENT CLIP LRG [J4]
1	36878	BACKYARD LEISURE CONSUMER DVD
36	40038	TC 8" CHOCOLATE ACCENT CLIP SML [J4]

Packaging/Shipping Materials

1	97-1357T	CARTON-EMPTY [2XT] ID 58-5/16X21-1/2X5-3/4 ETC48 TOP
1	97-1357B	CARTON-EMPTY [2XT] ID 58-5/16X20X9-5/8 ETC48 BOT

CRAVATR-12

Pool Carton:
CTN: AVA CRV-SIDE FRAME COMP

	QTY	Piece Part	DESCRIPTION
	12	27096	TR 8" PUMICE RESIN CMN 56"
	1	22-10074	HDW SS #10X1 PHILHX WSHR SCREW 99-0070 QTY-48

Packaging/Shipping Materials

1	97-1357T	CARTON-EMPTY [2XT] ID 58-5/16X21-1/2X5-3/4 ETC48 TOP
1	97-1357B	CARTON-EMPTY [2XT] ID 58-5/16X20X9-5/8 ETC48 BOT

CRAVAUS52-14

Pool Carton:
CTN: AVA 52" CRV-SIDE FRAME COMP

	QTY	Piece Part	DESCRIPTION
	14	40158	UR 6.5" LX MOCHA METALLIC 51-13/16"

Packaging/Shipping Materials

1	97-1355T	CARTON-EMPTY [2X] ID 58-5/16X21-1/2X5-3/4 ETC48 TOP
1	97-1355B	CARTON-EMPTY [2X] ID 58-5/16X20X5-5/8 ETC48 BOT

CVAVATR-10

Pool Carton:
CTN: AVA OVL-STR-SIDE FRAME COMP

	QTY	Piece Part	DESCRIPTION
	8	16549	PRESSURE PLATE (44")
	1	22-10090	HDW SS #10X1 PHILHX WSHR SCREW 99-0070 QTY-40
	10	27097	TR 8" PUMICE RESIN STR SIDE 41 1/4"

Packaging/Shipping Materials

1	97-1357B	CARTON-EMPTY [2XT] ID 58-5/16X20X9-5/8 ETC48 BOT
1	97-1357T	CARTON-EMPTY [2XT] ID 58-5/16X21-1/2X5-3/4 ETC48 TOP

CVAVAVS52-08

Pool Carton:
CTN: AVA 52" OVL-STR-SIDE FRAME COMP

	QTY	Piece Part	DESCRIPTION
	8	38837	WRAP UR OVAL MOCHA METALLIC 52" (53" OVERALL LENGT
	8	29917	OVAL CHANNEL FOAM BLOCK 2 X 4 X 4 1/8

Packaging/Shipping Materials

1	97-1355B	CARTON-EMPTY [2X] ID 58-5/16X20X5-5/8 ETC48 BOT
1	97-1355T	CARTON-EMPTY [2X] ID 58-5/16X21-1/2X5-3/4 ETC48 TOP

CVSTRAP18-12

Pool Carton:
CTN: UNIV OVL-STR-SIDE FRAME COMP

	QTY	Piece Part	DESCRIPTION
	8	16539	STRAP OVER CHANNEL 2" TALL X 52 3/8"
	8	22726	OVAL CHANNEL END CAP
	12	16726	STRAP SECTION 52 11/16"(FOR 18')
	8	16542	CONNECTOR BTM RAIL STR SIDE STEEL

Packaging/Shipping Materials

1	97-1351B	CARTON-EMPTY [4X] ID 58-1/16X8-3/4X5-5/8 ETC48 BOT
1	97-1351T	CARTON-EMPTY [4X] ID 58-5/16X10-1/4X5-3/4 ETC48 TOP

CVUCGMOM-0404

Pool Carton:
CTN: UNIV OVL-STR-SIDE FRAME COMP

	QTY	Piece Part	DESCRIPTION
	4	38563	YARDMORE GUSSET RIGHT MOCHA METALLIC
	4	38562	YARDMORE GUSSET LEFT MOCHA METALLIC
	4	15933	UNDER CHANNEL YARDMORE 45 9/16"
	1	22-16720	HDW SS BASE PACK YM(4 UPRIGHTS)

Packaging/Shipping Materials

1	97-1353B	CARTON-EMPTY [3X] ID 58-1/16X12-1/2X5-5/8 ETC48 BOT
1	97-1353T	CARTON-EMPTY [3X] ID 58-5/16X14X5-3/4 ETC48 TOP

CXAVA1833-RRRJ4

Pool Carton:
CTN: AVA 1833 MIXED CRV/STR COMP

QTY	Piece Part	DESCRIPTION
6	29935	RIM 5/8" SQ RSN 9'0"R 33" BLACK
8	40040	TC 8" CHOCOLATE OUTER HALF STR [J4]
1	44-10027	HARDWARE POOL KIT ZY OVAL 27
14	16298	TOP PLATE 6.5" LYR GF
8	10136	TOP PLATE 4" OVAL
14	40039	TC 8" CHOCOLATE ACCENT CLIP LRG [J4]
14	40036	TC 8" CHOCOLATE OUTER HALF CVD [J4]
14	40035	TC 8" CHOCOLATE BOOT [J4]
12	29890	RIM 5/8" SQ RSN 9'0"R 56-1/16" BLACK
1	920045	BACKYARD LEISURE WARRANTY TERMS & CONDITIONS
21	10296	PLASTIC COPING SINGLE 48" FOR METAL STAB
1	95-0007	ENVELOPES SAFETY COMPLETE
14	29931	INR STAB SQ RESIN CONNECTOR 5 1/2"
4	12328	BTM RAIL (LX) PRL RESIN 9'0" R 39" CRNR FLUO ORANGE
42	40038	TC 8" CHOCOLATE ACCENT CLIP SML [J4]
8	29934	RIM 5/8" SQ RSN 9'0"R 8" BLACK
6	12327	BTM RAIL (LX) PRL RESIN 9'0" R 37-1/2" STR LIGHT BLUE
22	40037	TC 8" CHOCOLATE INNER HALF [J4]
4	29936	RIM 5/8" SQ RSN 9'0"R 37" BLACK
12	12331	BTM RAIL (LX) PRL RESIN 9'0" R 50" BLACK
1	36878	BACKYARD LEISURE CONSUMER DVD

Packaging/Shipping Materials

1	97-1357T	CARTON-EMPTY [2XT] ID 58-5/16X21-1/2X5-3/4 ETC48 TOP
1	97-1357B	CARTON-EMPTY [2XT] ID 58-5/16X20X9-5/8 ETC48 BOT
2	97-1364	CARTON-SCORED SHEET [2XT] 78-1/2 X19-3/4X11-1/2 ETC 48

CRAVA15-RRRJ4

Pool Carton:
CTN: AVA 15 CRV-SIDE COMP

QTY	Piece Part	DESCRIPTION
1	36878	BACKYARD LEISURE CONSUMER DVD
10	40035	TC 8" CHOCOLATE BOOT [J4]
1	920045	BACKYARD LEISURE WARRANTY TERMS & CONDITIONS
10	40039	TC 8" CHOCOLATE ACCENT CLIP LRG [J4]
30	40038	TC 8" CHOCOLATE ACCENT CLIP SML [J4]
10	40037	TC 8" CHOCOLATE INNER HALF [J4]
1	44-10003	HARDWARE POOL KIT ZY 3
10	16298	TOP PLATE 6.5" LYR GF
10	29889	RIM 5/8" SQ RSN 7'6"R 56-1/16" ORANGE
10	29931	INR STAB SQ RESIN CONNECTOR 5 1/2"
10	40036	TC 8" CHOCOLATE OUTER HALF CVD [J4]
12	10296	PLASTIC COPING SINGLE 48" FOR METAL STAB
10	12312	BTM RAIL (LX) PRL RESIN 7'6" R CMN 54-1/4" ORANGE
1	95-0007	ENVELOPES SAFETY COMPLETE

Packaging/Shipping Materials

2	97-1363	CARTON-SCORED SHEET [2X] 78-1/2 X19-3/4X7-1/2 ETC 48
1	97-1355T	CARTON-EMPTY [2X] ID 58-5/16X21-1/2X5-3/4 ETC48 TOP
1	97-1355B	CARTON-EMPTY [2X] ID 58-5/16X20X5-5/8 ETC48 BOT

CRAVATR-10

Pool Carton:
CTN: AVA CRV-SIDE FRAME COMP

	QTY	Piece Part	DESCRIPTION
	1	22-10090	HDW SS #10X1 PHILHX WSHR SCREW 99-0070 QTY-40
	10	27096	TR 8" PUMICE RESIN CMN 56"

Packaging/Shipping Materials

	1	97-1355B	CARTON-EMPTY [2X] ID 58-5/16X20X5-5/8 ETC48 BOT
	1	97-1355T	CARTON-EMPTY [2X] ID 58-5/16X21-1/2X5-3/4 ETC48 TOP

CRAVAUS52-10*Pool Carton:*
CTN: AVA 52" CRV-SIDE FRAME COMP

	QTY	Piece Part	DESCRIPTION
	10	40158	UR 6.5" LX MOCHA METALLIC 51-13/16"

Packaging/Shipping Materials

	1	97-1353T	CARTON-EMPTY [3X] ID 58-5/16X14X5-3/4 ETC48 TOP
	1	97-1353B	CARTON-EMPTY [3X] ID 58-1/16X12-1/2X5-5/8 ETC48 BOT

CRAVA18-RRRJ4

Pool Carton:
CTN: AVA 18 CRV-SIDE COMP

QTY	Piece Part	DESCRIPTION
1	36878	BACKYARD LEISURE CONSUMER DVD
12	29931	INR STAB SQ RESIN CONNECTOR 5 1/2"
1	44-10005	HARDWARE POOL KIT ZY 5
12	40039	TC 8" CHOCOLATE ACCENT CLIP LRG [J4]
14	10296	PLASTIC COPING SINGLE 48" FOR METAL STAB
1	95-0007	ENVELOPES SAFETY COMPLETE
12	40037	TC 8" CHOCOLATE INNER HALF [J4]
12	40035	TC 8" CHOCOLATE BOOT [J4]
12	16298	TOP PLATE 6.5" LYR GF
36	40038	TC 8" CHOCOLATE ACCENT CLIP SML [J4]
1	920045	BACKYARD LEISURE WARRANTY TERMS & CONDITIONS
12	40036	TC 8" CHOCOLATE OUTER HALF CVD [J4]
12	29890	RIM 5/8" SQ RSN 9'0"R 56-1/16" BLACK
12	12321	BTM RAIL (LX) PRL RESIN 9'0" R CMN 54-1/4" BLACK

Packaging/Shipping Materials

1	97-1357B	CARTON-EMPTY [2XT] ID 58-5/16X20X9-5/8 ETC48 BOT
1	97-1357T	CARTON-EMPTY [2XT] ID 58-5/16X21-1/2X5-3/4 ETC48 TOP

CRAVATR-12

Pool Carton:
CTN: AVA CRV-SIDE FRAME COMP

	QTY	Piece Part	DESCRIPTION
	12	27096	TR 8" PUMICE RESIN CMN 56"
	1	22-10074	HDW SS #10X1 PHILHX WSHR SCREW 99-0070 QTY-48

Packaging/Shipping Materials

1	97-1357T	CARTON-EMPTY [2XT] ID 58-5/16X21-1/2X5-3/4 ETC48 TOP
1	97-1357B	CARTON-EMPTY [2XT] ID 58-5/16X20X9-5/8 ETC48 BOT

CRAVAUS52-12

Pool Carton:
CTN: AVA 52" CRV-SIDE FRAME COMP

	QTY	Piece Part	DESCRIPTION
	12	40158	UR 6.5" LX MOCHA METALLIC 51-13/16"

Packaging/Shipping Materials

1	97-1355T	CARTON-EMPTY [2X] ID 58-5/16X21-1/2X5-3/4 ETC48 TOP
1	97-1355B	CARTON-EMPTY [2X] ID 58-5/16X20X5-5/8 ETC48 BOT

CRAVA21-RRRJ4

Pool Carton:
CTN: AVA 21 CRV-SIDE COMP

QTY	Piece Part	DESCRIPTION
42	40038	TC 8" CHOCOLATE ACCENT CLIP SML [J4]
1	920045	BACKYARD LEISURE WARRANTY TERMS & CONDITIONS
14	40035	TC 8" CHOCOLATE BOOT [J4]
14	16298	TOP PLATE 6.5" LYR GF
1	36878	BACKYARD LEISURE CONSUMER DVD
16	10296	PLASTIC COPING SINGLE 48" FOR METAL STAB
1	95-0007	ENVELOPES SAFETY COMPLETE
14	40039	TC 8" CHOCOLATE ACCENT CLIP LRG [J4]
14	29931	INR STAB SQ RESIN CONNECTOR 5 1/2"
1	44-10007	HARDWARE POOL KIT ZY 7
14	40036	TC 8" CHOCOLATE OUTER HALF CVD [J4]
14	40037	TC 8" CHOCOLATE INNER HALF [J4]
14	29891	RIM 5/8" SQ RSN 10'6"R 56-1/16" PLUM
14	12322	BTM RAIL (LX) PRL RESIN 10'6" R CMN 54-1/4" PLUM

Packaging/Shipping Materials

1	97-1357T	CARTON-EMPTY [2XT] ID 58-5/16X21-1/2X5-3/4 ETC48 TOP
1	97-1357B	CARTON-EMPTY [2XT] ID 58-5/16X20X9-5/8 ETC48 BOT

CRAVATR-14

Pool Carton:
CTN: AVA CRV-SIDE FRAME COMP

	QTY	Piece Part	DESCRIPTION
	14	27096	TR 8" PUMICE RESIN CMN 56"
	1	22-10091	HDW SS #10X1 PHILHX WSHR SCREW 99-0070 QTY-56

Packaging/Shipping Materials

1	97-1357T	CARTON-EMPTY [2XT] ID 58-5/16X21-1/2X5-3/4 ETC48 TOP
1	97-1357B	CARTON-EMPTY [2XT] ID 58-5/16X20X9-5/8 ETC48 BOT

CRAVAUS52-14

Pool Carton:
CTN: AVA 52" CRV-SIDE FRAME COMP

	QTY	Piece Part	DESCRIPTION
	14	40158	UR 6.5" LX MOCHA METALLIC 51-13/16"

Packaging/Shipping Materials

1	97-1355T	CARTON-EMPTY [2X] ID 58-5/16X21-1/2X5-3/4 ETC48 TOP
1	97-1355B	CARTON-EMPTY [2X] ID 58-5/16X20X5-5/8 ETC48 BOT

CRAVA24-RRRJ4

Pool Carton:
CTN: AVA 24 CRV-SIDE COMP

QTY	Piece Part	DESCRIPTION
1	920045	BACKYARD LEISURE WARRANTY TERMS & CONDITIONS
1	36878	BACKYARD LEISURE CONSUMER DVD
16	29931	INR STAB SQ RESIN CONNECTOR 5 1/2"
16	40037	TC 8" CHOCOLATE INNER HALF [J4]
16	16298	TOP PLATE 6.5" LYR GF
16	12323	BTM RAIL (LX) PRL RESIN 12'0" R CMN 54-1/4" DARK BLUE
16	40035	TC 8" CHOCOLATE BOOT [J4]
19	10296	PLASTIC COPING SINGLE 48" FOR METAL STAB
1	44-10008	HARDWARE POOL KIT ZY 8
16	40039	TC 8" CHOCOLATE ACCENT CLIP LRG [J4]
16	29892	RIM 5/8" SQ RSN 12'0"R 56-1/16" DKBLUE
1	95-0007	ENVELOPES SAFETY COMPLETE
48	40038	TC 8" CHOCOLATE ACCENT CLIP SML [J4]
16	40036	TC 8" CHOCOLATE OUTER HALF CVD [J4]

Packaging/Shipping Materials

1	97-1357T	CARTON-EMPTY [2XT] ID 58-5/16X21-1/2X5-3/4 ETC48 TOP
1	97-1357B	CARTON-EMPTY [2XT] ID 58-5/16X20X9-5/8 ETC48 BOT

CRAVATR-16

Pool Carton:
CTN: AVA CRV-SIDE FRAME COMP

	QTY	Piece Part	DESCRIPTION
	1	22-10075	HDW SS #10X1 PHILHX WSHR SCREW 99-0070 QTY-64
	16	27096	TR 8" PUMICE RESIN CMN 56"

Packaging/Shipping Materials

	1	97-1357B	CARTON-EMPTY [2XT] ID 58-5/16X20X9-5/8 ETC48 BOT
	1	97-1357T	CARTON-EMPTY [2XT] ID 58-5/16X21-1/2X5-3/4 ETC48 TOP

CRAVAUS52-16

Pool Carton:
CTN: AVA 52" CRV-SIDE FRAME COMP

	QTY	Piece Part	DESCRIPTION
	16	40158	UR 6.5" LX MOCHA METALLIC 51-13/16"

Packaging/Shipping Materials

1	97-1355T	CARTON-EMPTY [2X] ID 58-5/16X21-1/2X5-3/4 ETC48 TOP
1	97-1355B	CARTON-EMPTY [2X] ID 58-5/16X20X5-5/8 ETC48 BOT

CRAVA27-RRRJ4

Pool Carton:
CTN: AVA 27 CRV-SIDE COMP

QTY	Piece Part	DESCRIPTION
18	16298	TOP PLATE 6.5" LYR GF
21	10296	PLASTIC COPING SINGLE 48" FOR METAL STAB
18	12324	BTM RAIL (LX) PRL RESIN 13'6" R CMN 54-1/4" FLOU GREEN
1	920045	BACKYARD LEISURE WARRANTY TERMS & CONDITIONS
54	40038	TC 8" CHOCOLATE ACCENT CLIP SML [J4]
18	29894	RIM 5/8" SQ RSN 15'R/16'6" 56-1/16" GOLD
1	44-10010	HARDWARE POOL KIT ZY 10
18	40036	TC 8" CHOCOLATE OUTER HALF CVD [J4]
18	40037	TC 8" CHOCOLATE INNER HALF [J4]
1	36878	BACKYARD LEISURE CONSUMER DVD
18	29931	INR STAB SQ RESIN CONNECTOR 5 1/2"
18	40039	TC 8" CHOCOLATE ACCENT CLIP LRG [J4]
18	40035	TC 8" CHOCOLATE BOOT [J4]
1	95-0007	ENVELOPES SAFETY COMPLETE

Packaging/Shipping Materials

1	97-1357B	CARTON-EMPTY [2XT] ID 58-5/16X20X9-5/8 ETC48 BOT
1	97-1357T	CARTON-EMPTY [2XT] ID 58-5/16X21-1/2X5-3/4 ETC48 TOP

CRAVATR-18

Pool Carton:
CTN: AVA CRV-SIDE FRAME COMP

	QTY	Piece Part	DESCRIPTION
	18	27096	TR 8" PUMICE RESIN CMN 56"
	1	22-10096	HDW SS #10X1 PHILHX WSHR SCREW 99-0070 QTY-72

Packaging/Shipping Materials

1	97-1357B	CARTON-EMPTY [2XT] ID 58-5/16X20X9-5/8 ETC48 BOT
1	97-1357T	CARTON-EMPTY [2XT] ID 58-5/16X21-1/2X5-3/4 ETC48 TOP

CRAVAUS52-18

Pool Carton:
CTN: AVA 52" CRV-SIDE FRAME COMP

	QTY	Piece Part	DESCRIPTION
	18	40158	UR 6.5" LX MOCHA METALLIC 51-13/16"

Packaging/Shipping Materials

1	97-1355T	CARTON-EMPTY [2X] ID 58-5/16X21-1/2X5-3/4 ETC48 TOP
1	97-1355B	CARTON-EMPTY [2X] ID 58-5/16X20X5-5/8 ETC48 BOT