

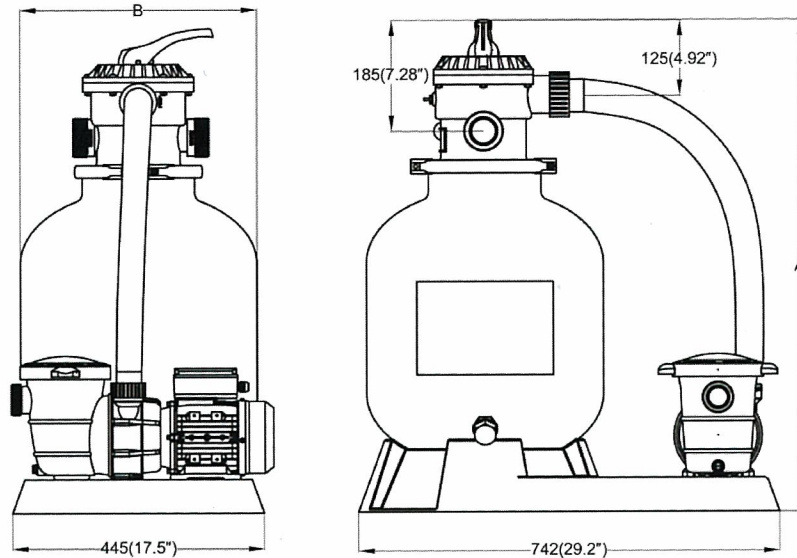


# RELIANT FILTRATION SYSTEM



- Full 1 year written warranty
- Replacement parts are readily available
- High density polyethylene (HDPE) blow molded tank for long life
- Includes 7 position multi-port valve with pressure gauge
- Standard power cord is 6' long (3' twist lock cord also available upon customer's request)
- Filter & multi-port valve precision engineered for maximum performance
- Versatile flange clamp design allows 360 degree rotation for easy installation
- All internal piping is 1 1/2" diameter to provide smooth restriction free operation
- Easy access drain plug on filter tank simplifies winterizing
- Quality, dependability, and built to last! Let RELIANT brand Sand Filtration Systems by Bridging China be your system of choice!

Model Number	Voltage /Hertz	Description	Pump certificate	Pool Size (gal)	Carton Dimension (inch)
BC2228	115/60	16"Filter with 0.75HP SPL(BC2728)	ETL CSA	12680~16906	30.3 x 23.2 x 24.4
BC2229	115/60	19"Filter with 1.0HP SPL(BC2729)	ETL CSA	14265~19020	30.3 x 23.2 x 28.7
BC2230	115/60	24"Filter with 1.5HP SPL(BC2730)	ETL CSA	17963~23775	33.1 x 24 x 34.6
BC2242	115/60	19"Filter with 0.75HP(BC2742)	ETL CSA	14265~19020	30.3 x 23.2 x 28.7
BC2243	115/60	24"Filter with 1.0HP(BC2743)	ETL CSA	17963~23775	33.1 x 24 x 34.6



Model Number	A	B
BC2228/BC2241	33.4"	16"
BC2229/BC2242	37.4"	19"
BC2230/BC2243	45.5"	24"

- For a complete catalog listing all of our filters, products, and maintenance accessories, please contact our US office
- Please visit our website at [www.bridging-china.com](http://www.bridging-china.com) for additional information on Bridging China International Ltd.
- PRICING AVAILABLE UPON REQUEST



## Bridging China International Limited

- UNITED STATES -  
 101 Marcshire Drive,  
 Middletown, New Jersey 07748  
 Tel: 732-957-0062  
 Fax: 732-957-0162  
 Email: Joegigl@verizon.net

- CHINA -  
 Room 708, No.6, Lane 3611, Zhangyang Road,  
 Pudong New District, Shanghai, 200136, China  
 Tel: 86-21-68531210  
 Fax: 86-21-38820172  
 Email: pool@bridging-china.com