



ASSEMBLY INSTRUCTIONS ROUND POOLS

Trevi 106 / Trevi 186 / Trevi 206/
Trevi 217 / Trevi 218

MANUFACTURING

Dear Customer

Congratulations! You have purchased a pool of superior quality and durability. To achieve the best possible results, follow the instructions carefully. Failure to follow the installation procedures may result in damage to your pool or property and void your warranty. We recommend that you make a preliminary study of the instructions booklet to familiarize yourself with the different parts of your pool. Make sure that you understand each step thoroughly before you begin assembly.

We wish you a most pleasant and refreshing summer.

WARNING: Be sure you have read and understood the "Safety Information" sheets before you begin your pool installation.



WARNING: For your safety, your pool is not designed for diving and/or jumping head first. Please do not dive. Diving may result in permanent injury or death.

1 SITE PREPARATION

When selecting the site of your pool, take into account city by-laws regarding fences and utilities laws pertaining to electrical cables, as well as the landscaping which you plan to do once the pool is installed.

Using a measuring tape, draw a circle 15 cm to 20 cm (6" to 8") longer in radius than the pool, depending on the width of the uprights (See Illustration 1.1). Remove all grass from the area which you have just outlined.

Drive a stake into the ground at the center of the site.

Make sure you order the necessary quantities of sand and stone dust (See Chart).

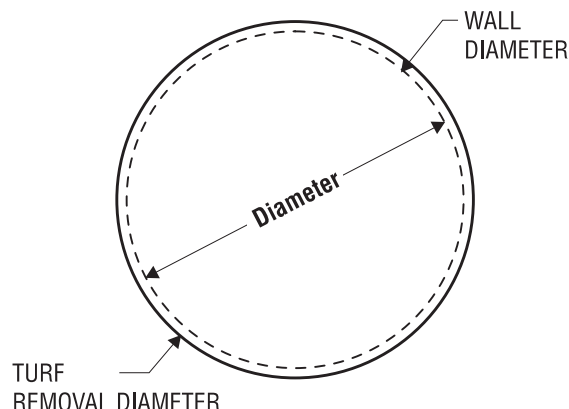
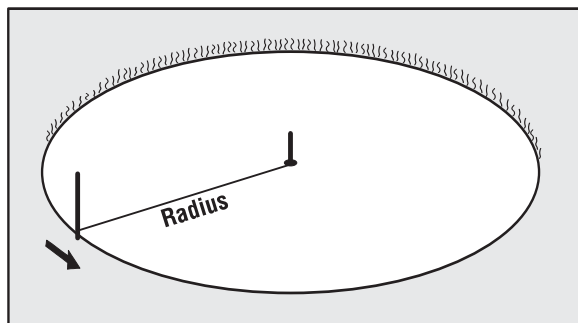


Illustration 1.1



Chart

WALL DIAMETER	TURF REMOVAL DIAMETER		NECESSARY MATERIALS *	
	RADIUS	DIAMETER	SAND	STONE DUST
3.66 m (12')	2.03 m (6' 8")	4.06 m (13' 4")	1 Ton	1/3 Ton
4.57 m (15')	2.50 m (8' 2")	5.00 m (16' 4")	1 1/4 Ton	1/2 Ton
5.48 m (18')	2.95 m (9' 8")	5.90 m (19' 4")	1 1/2 Ton	3/4 Ton
6.40 m (21')	3.40 m (11' 2")	6.80 m (22' 4")	1 3/4 Ton	1 Ton
7.31 m (24')	3.85 m (12' 8")	7.70 m (25' 4")	2 Tons	1 1/2 Ton
8.22 m (27')	4.30 m (14' 2")	8.60 m (28' 4")	2 1/4 Tons	1 3/4 Ton
9.14 m (30')	4.77 m (15' 8")	9.54 m (31' 4")	2 1/2 Tons	2 Tons

* If you use only sand, add stone dust tonnage to sand.

2 SITE LEVELLING

Level the edge of the circle, from the turf removal line up to 30 cm (12") within the circle.

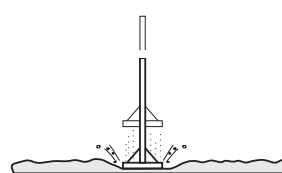
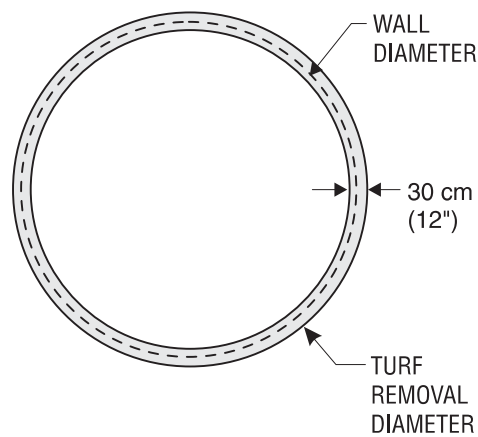


Illustration 2.1

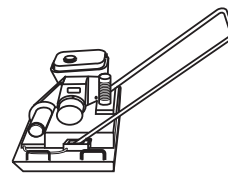


Illustration 2.2

The center of the circle can then be excavated to the desired depth (optional), not to exceed 15 cm (6") for a standard liner (See Illustration 2.3).

Remove any stone, piece of wood or other debris from within the circle. Flatten any protrusion and pack soil tightly. Spread area with salt to prevent roots from growing back and to eliminate earthworms, which are two causes of post-installation cracking.

Also spread ant repellent, another cause of post-installation cracking. Cover with a thin 2 cm (3/4") layer of compacting sand in order to protect the liner.

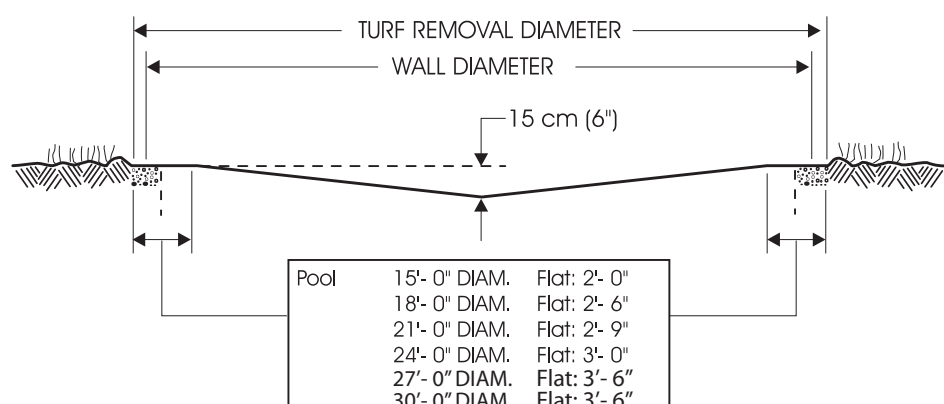
Make sure you place a sufficient quantity of sand for the base finishing inside the circle (See Step 6)

To do this, use a carpenter's level set on a large straight beam, a rope or optical level.

Carefully pack the soil using a tamper tool or vibrating plate (See Illustrations 2.1 and 2.2), especially on those areas where a lot of soil was added.

It is also highly recommended to firm up the edge by adding a 2 cm (3/4") layer of stone dust (or sand).

Illustration 2.3

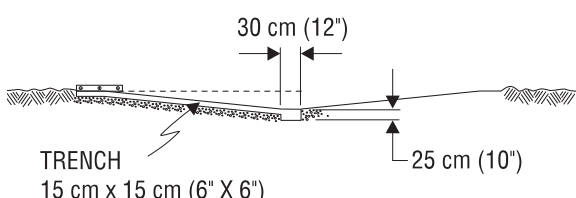


3

BOTTOM DRAIN ASSEMBLY (if applicable)

Dig a 30 cm (12") wide by about 25 cm (10") deep hole exactly in the center of the circumference.

Dig a 15 cm (6") wide trench going from the center hole to the planned location of the pool motor. Place removed soil beside the trench as it will be used to bury the hose.



Bottom drain assembly

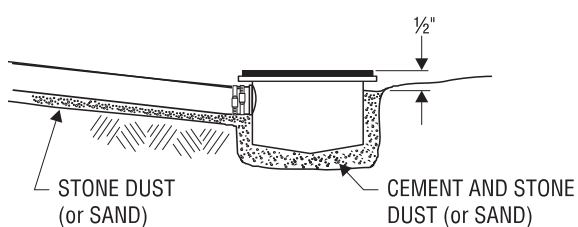
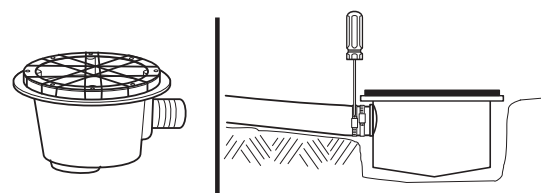
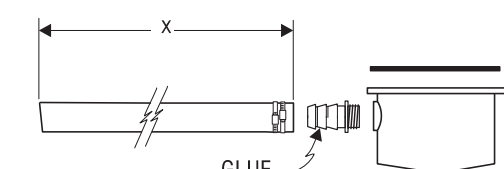
Place teflon around the plug thread. Screw in drain hole using large pliers. Glue connector in the appropriate opening.

Take one of the two rubber rings and adjust it on the top of the drain, taking care to align the holes. Secure with strips of adhesive tape to prevent sand from penetrating inside the holes once the drain is installed. Secure one end of the long black or white hose inside the drain spout, first apply glue on the drain spout and inside the drain end. Secure with one or two collars.

Cut the hose so that it ends with the stone dust (or sand). The pool's radius is calculated plus 15 cm (6") from the center of the drain.

Place the assembled bottom drain in the hole so that it is approximately 1.3 cm (1/2") higher than the surface soil. Bury the hose, placing the drain as level as possible. Compact using your feet and the tampering tool.

Mix three (3) shovels of stone dust (or sand) with one half-shovel of pure cement and a little water and place this cement around the drain up to 1.3 cm (1/2") under the top of the drain.



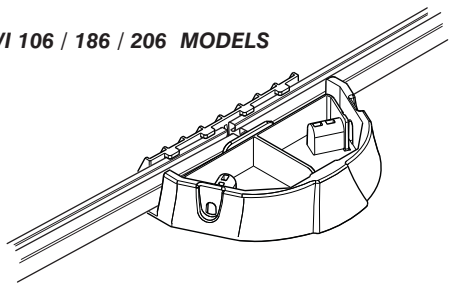
4

BOTTOM WALL TRACKS ASSEMBLY

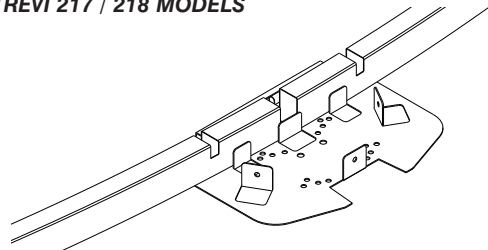
Insert the wall tracks on each side of the joiner plates, making sure to leave a space of 1.3 cm (1/2") between the ends of both tracks, in the center of the joiner plate (See Illustration 4.1).

Illustration 4.1

TREVI 106 / 186 / 206 MODELS

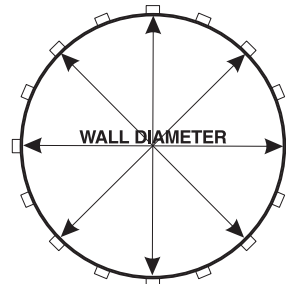


TREVI 217 / 218 MODELS



Make a complete circle, using half of the wall tracks and joiner plates found in the pool kit (See Chart and Illustration 4.2).

Illustration 4.2



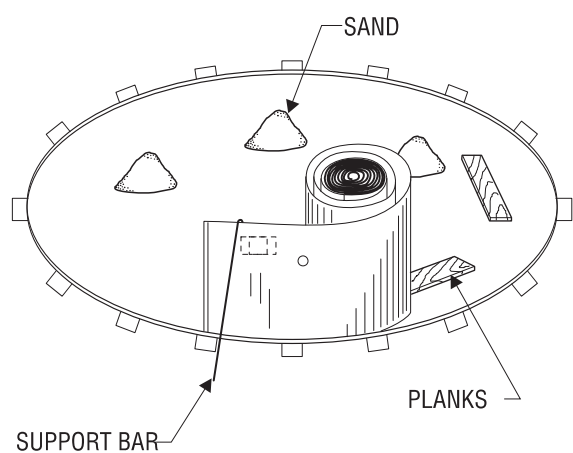
Chart

POOL DIAMETER	NUMBER OF TRACKS	NUMBER OF PLATES
3.66 m (12')	10	10
4.57 m (15')	11	11
5.48 m (18')	13	13
6.40 m (21')	15	15
7.31 m (24')	17	17
8.22 m (27')	19	19
9.14 m (30')	21	21

5

WALL INSTALLATION

Before uncoiling the wall, make sure the pre-punched holes for the skimmer and pump return are at the top and facing the planned location of your filter.



Begin inserting the wall into the bottom wall tracks in the middle of a joiner plate. At first, the wall is kept in place with one or two support bars (or extra persons). One per-

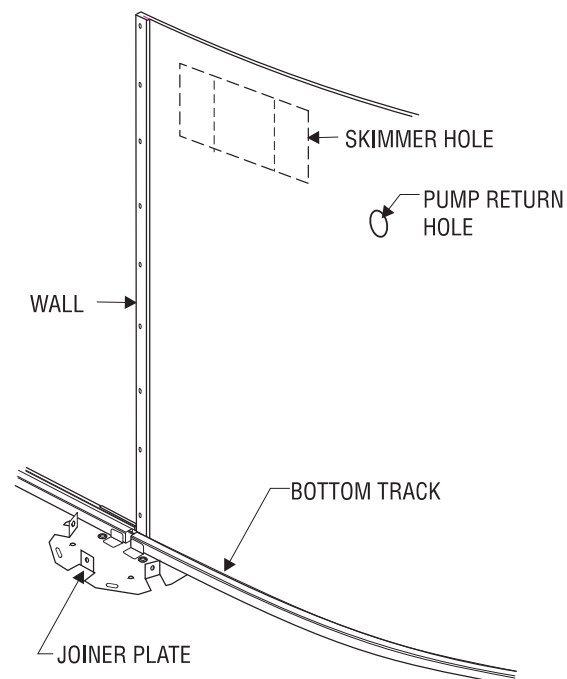
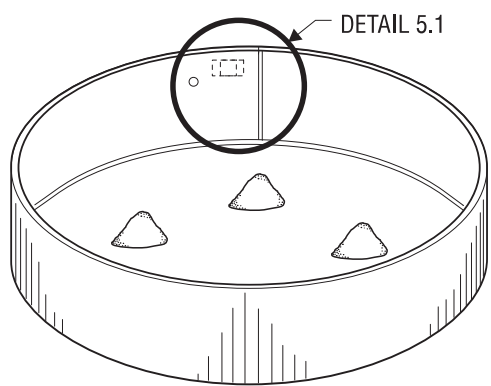


Illustration 5.1

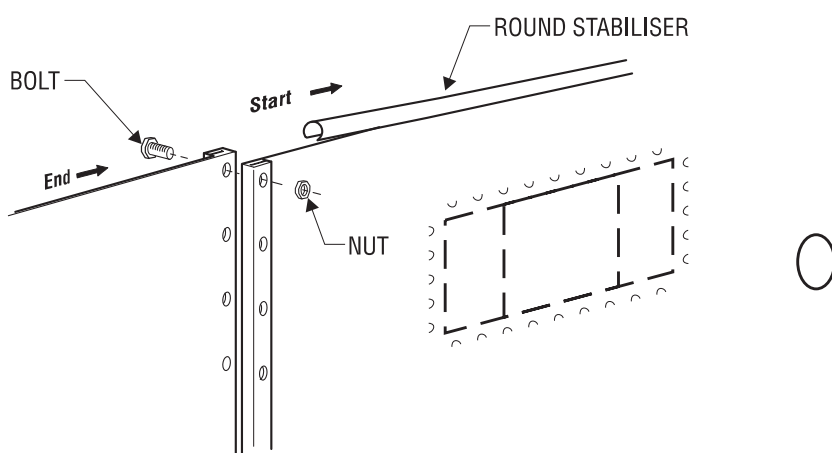


son uncoils the wall on a beam or a plank, while a second person inserts it in the bottom wall tracks. Do not uncoil more than 3 m (10') of wall before you install a support bar to reinforce the structure.

Once the wall is completely uncoiled, you may find that it is too long or that both ends do not meet by a few centimetres. If such is the case, you must gently push the wall in or out. If this does not work, roll up the wall again, realign the grooves and uncoil the wall again. If the spread is too wide, measure the wall and check it against the following chart.

When you prepare to join the ends of the wall, make sure the end that is reinforced by the fold is inside the circle, facing the liner and that the other end faces outward (See Illustration 5.1). When the wall joint is screwed, install the round stabiliser on top of it.

IMPORTANT: Due to the enormous pressure exerted by the water on the steel wall, it is absolutely essential that all the bolts are screwed in tightly and no hole is left open. All bolt heads must be inside and nut outside. Cover all bolt heads with heavy fabric tape.



5

WALL INSTALLATION (continued)

Chart

POOL DIAMETER	ACTUAL LENGTH OF WALL
3.66 m (12')	11,51 m (37' 9 3/8")
4.57 m (15')	14,38 m (47' 2 1/2")
5.48 m (18')	17,25 m (56' 7 1/2")
6.40 m (21')	20,12 m (66' 5/8")
7.31 m (24')	22,99 m (75' 5 3/4")
8.22 m (27')	25,86 m (84' 10 7/8")
9.14 m (30')	28,75 m (94' 4")

WARNING

Do not use impact gun for wall screws.

Minimum clamping force of 60 inch pounds to maximum of 85 inch pounds



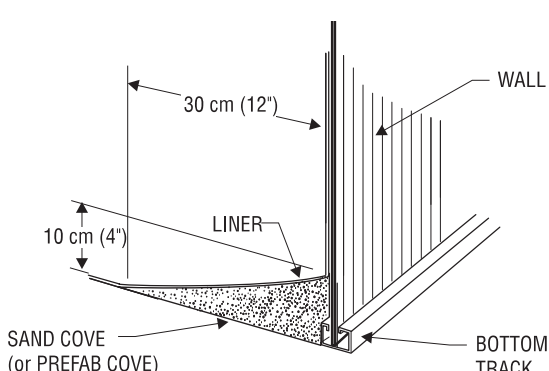
6

SAND BASE FINISHING

You can now spread approximately 10 cm (4") of compacting sand all around the inside base of the wall in order to protect the liner from the cutting edges of the bottom wall tracks and the stone dust (if applicable). Or install a prefabricated cove, if available.

SAND BASE FINISHING

Level finishing sand one last time. Make sure that any sharp stones, debris or roots have been removed from the surface. For better protection, spray sand with water and pack it once more until the base is nicely even.



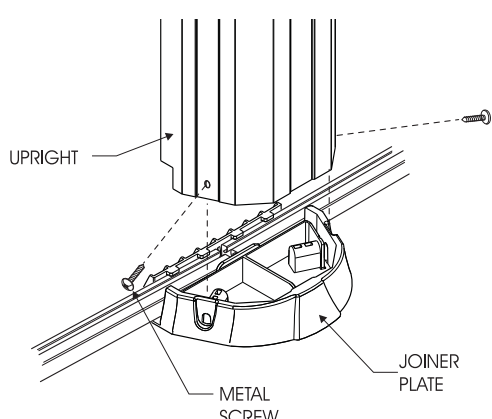
7

UPRIGHT INSTALLATION

Attach the uprights to the bottom joiner plates with the metal screws. You will find them in the hardware bag.

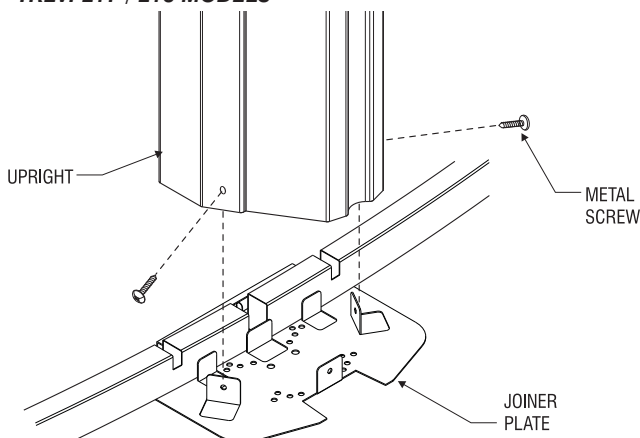
Uprights must be installed outside the flanged part of the joiner plate.

TREVI 106 / 186 / 206 MODELS



NOTE: Top and bottom joiner plates are the same for the 217 and 218 models.

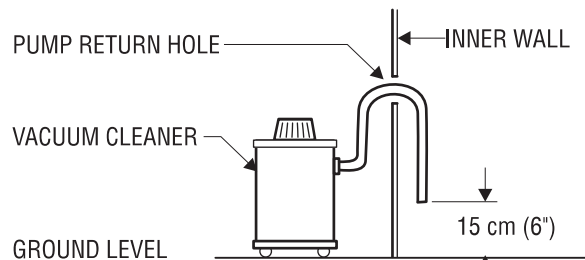
TREVI 217 / 218 MODELS



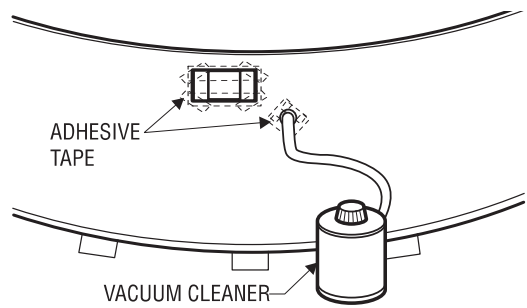
8

VINYL LINER INSTALLATION

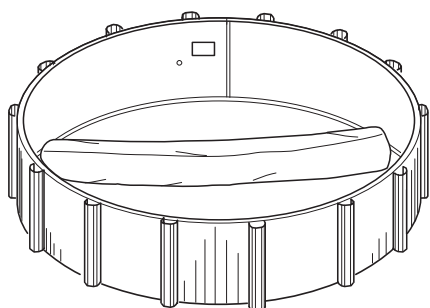
Before pulling the liner up against the wall, insert a vacuum cleaner hose down into the pump return hole to approximately 15 cm (6") from the ground.



Maintain the hose in place with adhesive tape. Don't forget to block the skimmer hole with adhesive tape to prevent air from leaking in.

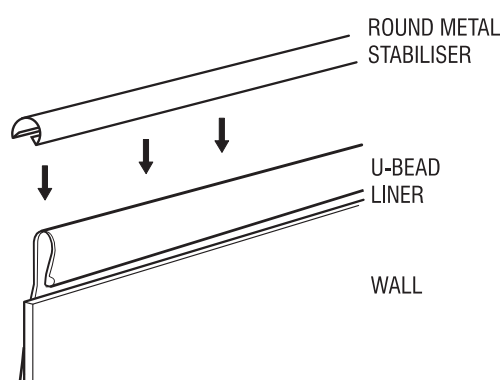


Place the unfolded liner in the center of the pool area. Make sure you wear light, flat-soled shoes to walk on the sand as the slightest heel mark could be visible once the pool is filled.

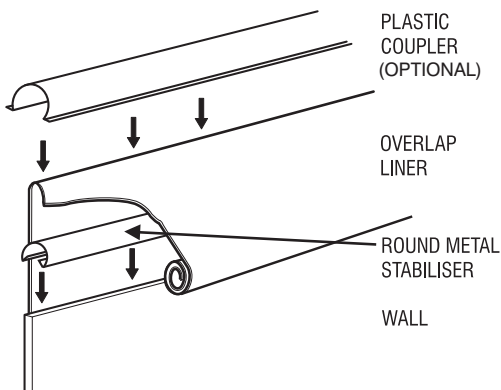


Carefully unfold the liner (u-bead or overlap), bringing the bottom-sidewall seam close to the wall base. Make sure that the side with the protruding seams faces downward or that the patterned side faces upward.

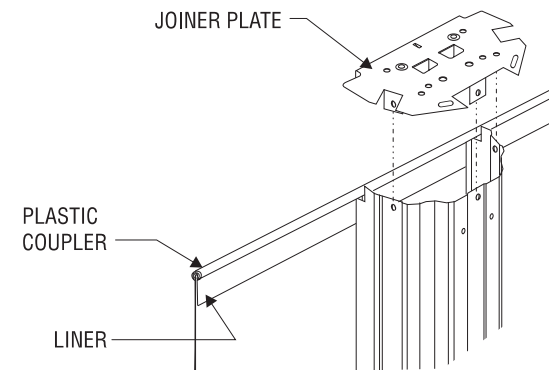
Hang the u-bead liner on the top of the wall and install the round stabiliser to secure.



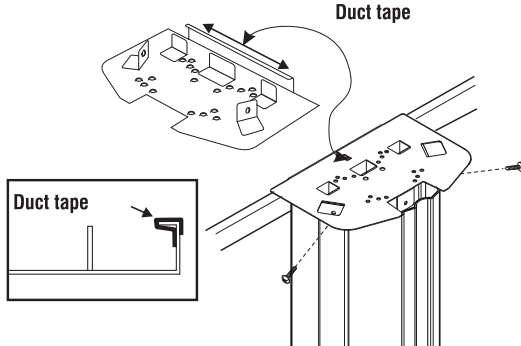
Lift up a section of the overlap liner over the top of the wall leaving a 10 cm to 15 cm (4" to 6") fringe outside the wall. Secure the liner with a plastic coupler.



At this point, the liner may be too tight, making it difficult to drape the overlap or, on the contrary, too loose. In such cases, you will have to redistribute the tension in the liner by removing some of the couplers and readjusting the liner.

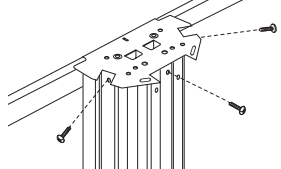


TREVI 217 / 218 MODELS

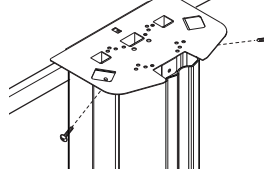


NOTE : Stick the duct tape on the border of the joiner plate to protect the vinyl liner when you fill up the pool. Remove the riban once the pool is filled.

TREVI 106 / 186 / 206 MODELS



TREVI 217 / 218 MODEL



Install the joiner plates on top of each upright then install metal screws at the top of the support post, making sure the support posts are perpendicular to the ground.

Start the vacuum cleaner to allow the liner to adhere to the wall and check for excess tension at the bottom or for wrinkles. Adjust the liner by removing the couplers if needed, to lift or lower it in order to ensure a perfect fit.

8

VINYL LINER INSTALLATION (continued)

Fill the pool up to the base of the wall before stopping and removing the vacuum cleaner.

PUMP RETURN FITTING

After you remove the vacuum cleaner, you may install the return fitting. Place the return fitting ring against the liner and adjust it so that it is perfectly aligned with the hole in the wall. When the ring is properly positioned and secured, cut the liner in the middle of the ring.

Insert the return fitting from the inside, placing the first gasket between the return fitting and the liner and the second between the wall and the liner. Then tighten the outside ring with large pliers, taking care not to crease the liner.

BOTTOM DRAIN (optional)

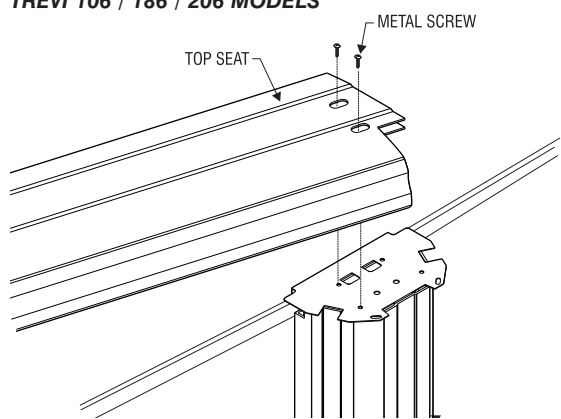
Find the holes through the middle of the liner and screw the ring and gasket in against the liner before cutting the liner in the middle of the ring, then screw on the drain cover.

9

TOP SEAT INSTALLATION

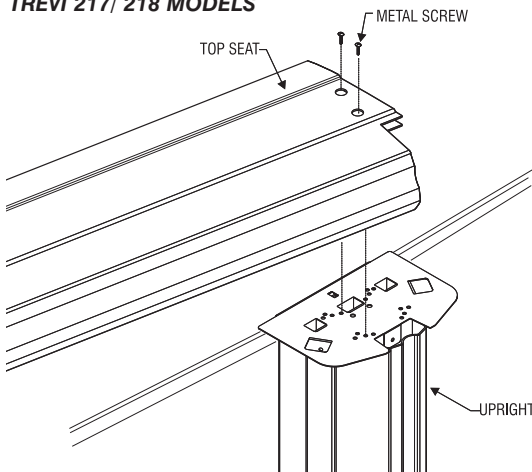
Place top seat on top joiner plates and secure each section using four (4) metal screws. Attach the end of each top seat section to the surface of the top joiner plates.

TREVI 106 / 186 / 206 MODELS



For the 217 and 218 models, align the top seat with the guiding line on the joiner plate according to the pool size.

TREVI 217/ 218 MODELS

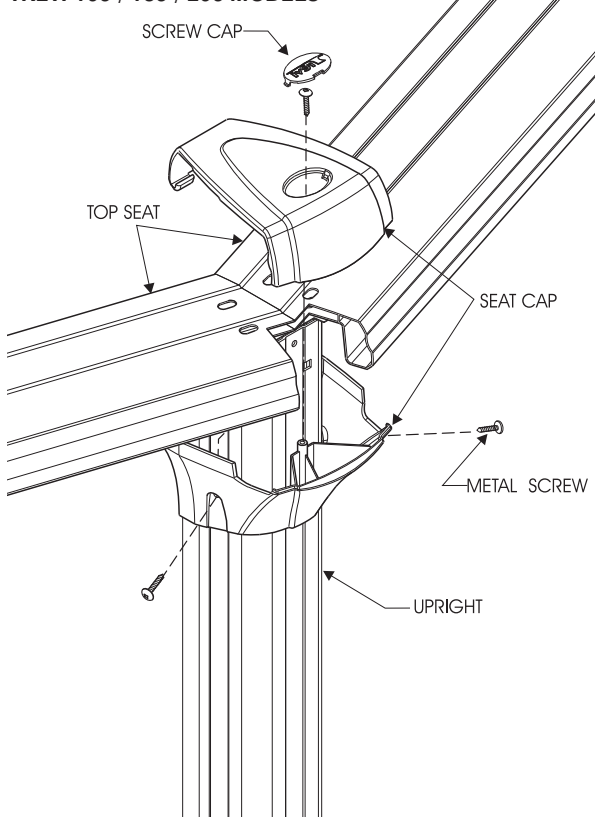


10

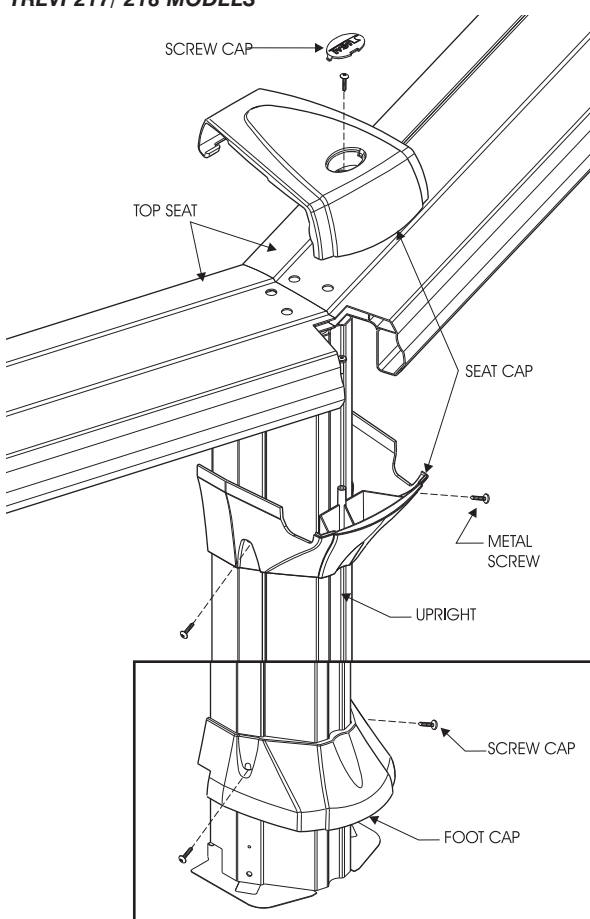
SEAT CAP INSTALLATION

Hook the seat cap on the inside edge of the seat. Screw the bottom seat cap into the upright using two (2) metal screws. Secure the two part of the seat cap with one (1) metal screws and install the screw cap.

TREVI 106 / 186 / 206 MODELS



TREVI 217/ 218 MODELS

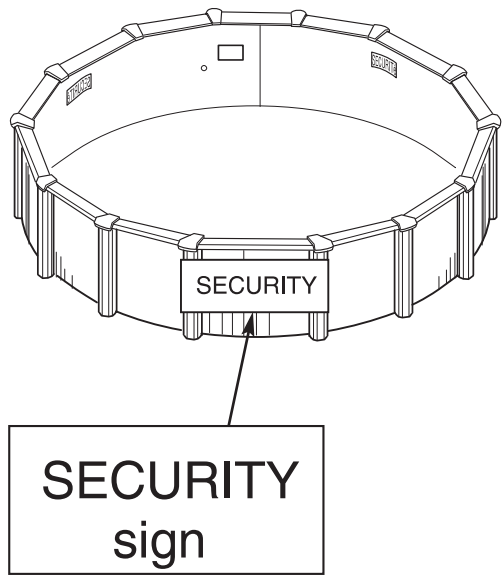


Screw the bottom foot cap with two (2) metal screws in the free holes for models 217 and 218 only.

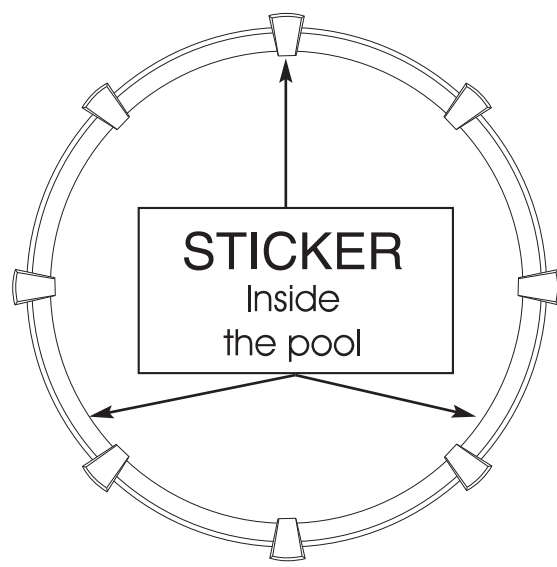
11

SECURITY SIGNS INSTALLATION

Position the safety procedures panel on the outside of the pool. This panel must be at the most visible place from the yard on your pool.



Place the three (3) safety stickers inside the pool in a way that it's seen from any entry point of the swimmer (See positioning drawing).



12

FILTRATION SYSTEM ASSEMBLY

Note: See "Safety Information" manual page 1. As described in the manual, all components of the filtration system should be placed to prevent a child to climb on top and get access to the pool.

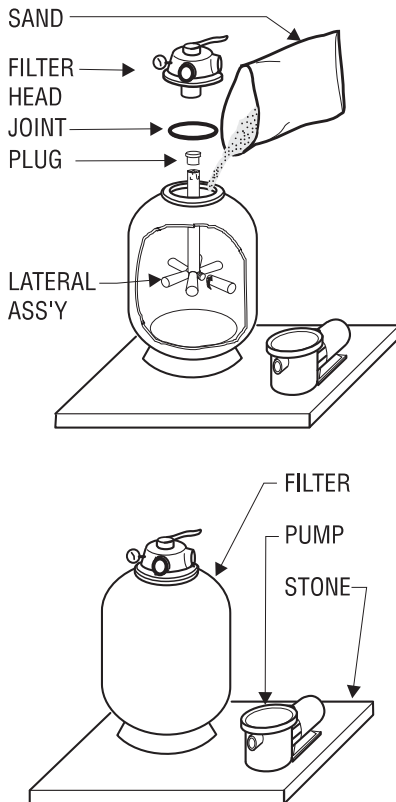
Using a little bit of stone dust (or sand), place at level a patio stone 61cm x 76 cm (24" x 30") before installing the motor and filter.

Position the motor on the stone and insert the two nozzles to connect the hoses.

Then, install the filter tank. Adjust the lateral assembly properly in its channel. It is sometimes necessary to install the laterals.

Patch the center hole of the lateral assembly using the plug to allow filtering sand to flow into the tank.

Remove plug. Install joint in cavity and secure filter head by placing back wash position on side opposite to the pool.

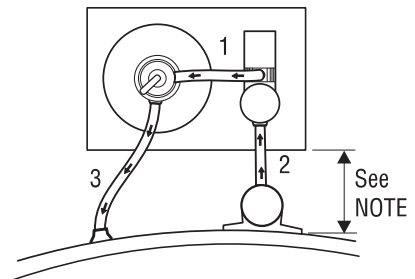


12

FILTRATION SYSTEM ASSEMBLY (continued)

Install necessary nozzles. Then, connect hoses using collars.

- 1-The first hose goes from the top of the pump to the side of the filter head.
- 2-The second one goes from the motor to the skimmer (or to the bottom drain valve).
- 3-The third goes from the front of the filter head to the water return or from the front of the chlorinator to the water return.



A back wash hose may be placed behind the filter head.

If there is a chlorinator and/or heat pump, they must be assembled at the filter exit.

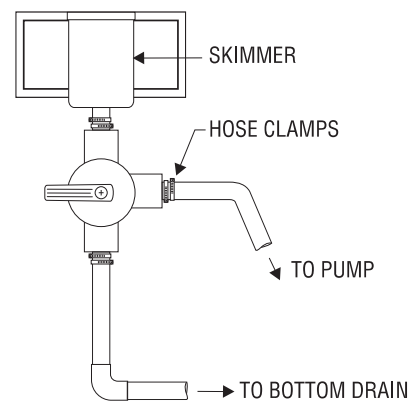
13

DRAIN VALVE ASSEMBLY (if applicable)

Insert threaded nozzles, if applicable, in order to be able to screw the valve in the skimmer.

Connect the drain hose to the bottom nozzle. Connect the motor hose to the side nozzle.

The threads on all threaded nozzles must be covered with teflon tape prior to installing in order to prevent water leaks. Teflon is applied to the threads as follows: little or none on the first few threads (to facilitate introduction) and several layers towards the end threads (for better watertightness).

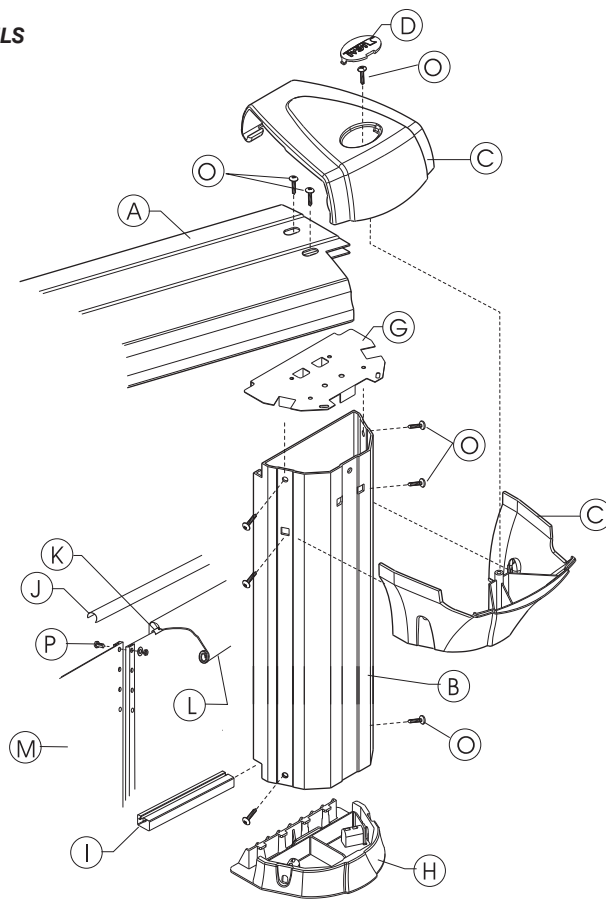


14

PARTS LIST

ARTICLE	DESCRIPTION	12'	15'	18'	21'	24'	27'	30'
A	Top seat	10	11	13	15	17	19	21
B	Upright	10	11	13	15	17	19	21
C	Seat cap (2 pieces)	20	22	26	30	34	38	42
D	Screw cap	10	11	13	15	17	19	21
E	Foot cap 217-218	10	11	13	15	17	19	21
F	Joiner plate 217-218	20	22	26	30	34	38	42
G	Joiner plate 106-186-206	10	11	13	15	17	19	21
H	Joiner plate (plastic) 106-186-206	10	11	13	15	17	19	21
I	Wall track	10	11	13	15	17	19	21
J	Plastic coupler	10	11	13	15	17	19	30
K	Round stabiliser	10	11	13	15	17	19	21
L	Liner	1	1	1	1	1	1	1
M	Wall	37' 9"	47' 2"	56' 7"	66'	75' 5"	84' 10"	94' 3"
N	Screw TREVI 217-218	130	143	169	195	221	247	273
O	Screw TREVI 106-186-206	110	121	143	165	187	209	213
P	Bolt - nut (for 52") for wall	25 (29)	25 (29)	25 (29)	25 (29)	25 (29)	25 (29)	25 (29)
Q	Drain kit (if applicable)	1	1	1	1	1	1	1

TREVI 106 / 186 / 206 MODELS



TREVI 217 / 218 MODELS

